

INSTALLATION GUIDE

AXIS P1355 Network Camera

AXIS P1357 Network Camera

ENGLISH

FRANÇAIS

DEUTSCH

ITALIANO

ESPAÑOL



Legal Considerations

Video and audio surveillance can be prohibited by laws that vary from country to country. Check the laws in your local region before using this product for surveillance purposes. This product includes one (1) H.264 decoder license and one (1) AAC decoder license. To purchase further licenses, contact your reseller.


Electromagnetic Compatibility (EMC)

This equipment has been designed and tested to fulfill applicable standards for:
Radio frequency emission when installed according to the instructions and used in its intended environment.
Immunity to electrical and electromagnetic phenomena when installed according to the instructions and used in its intended environment.

USA – This equipment has been tested using a shielded network cable (STP) and found to comply with the limits for a Class B digital device, pursuant to part 15 of the FCC Rules. These limits are designed to provide reasonable protection against harmful interference in a residential installation. This equipment generates, uses and can radiate radio frequency energy and, if not installed and used in accordance with the instructions, may cause harmful interference to radio communications. However, there is no guarantee that interference will not occur in a particular installation. If this equipment does cause harmful interference to radio or television reception, which can be determined by turning the equipment off and on, the user is encouraged to try to correct the interference by one or more of the following measures:

- Reorient or relocate the receiving antenna.
- Increase the separation between the equipment and receiver.
- Connect the equipment into an outlet on a circuit different from that to which the receiver is connected.
- Consult the dealer or an experienced radio/TV technician for help.

Canada – This Class B digital apparatus complies with Canadian ICES-003.

Europe –  This digital equipment fulfills the requirements for RF emission according to the Class B limit of EN 55022.

This product fulfills the requirements for immunity according to EN 55024 residential and commercial environments.

Australia – This digital equipment fulfills the requirements for RF emission according to the Class B limit of AS/NZS CISPR 22.

Japan – この装置は、クラスB 情報技術装置です。この装置は、家庭環境で使用することを目的としていますが、この装置がラジオやテレビジョン受信機に近接して使用されると、受信障害を引き起こすことがあります。取扱説明書に従って正しい取り扱いをして下さい。

Korea – 이 기기는 가정용(B급) 전자파적합기로서 주로 가정에서 사용하는 것을 목적으로 하며, 모든 지역에서 사용할 수 있습니다.

Safety

This product complies with EN/IEC/UL 60950-1, Safety of Information Technology Equipment.

About this Document

This document includes instructions for installing AXIS P1355/P1357 on your network. Previous experience of networking will be beneficial when installing the product.

Equipment Modifications

This equipment must be installed and used in strict accordance with the instructions given in the user documentation. This equipment contains no user-serviceable components. Unauthorized equipment changes or modifications will invalidate all applicable regulatory certifications and approvals.

Liability

Every care has been taken in the preparation of this document. Please inform your local Axis office of any inaccuracies or omissions. Axis Communications AB cannot be held responsible for any technical or typographical errors and reserves the right to make changes to the product and documentation without prior notice. Axis Communications AB makes no warranty of any kind with regard to the material contained within this document, including, but not limited to, the implied warranties of merchantability and fitness for a particular purpose. Axis Communications AB shall not be liable nor responsible for incidental or consequential damages in connection with the furnishing, performance or use of this material. This product is only to be used for its intended purpose.

RoHS

This product complies with both the European RoHS directive, 2002/95/EC, and the Chinese RoHS regulations, ACPEIP.



WEEE Directive

The European Union has enacted a Directive 2002/96/EC on Waste Electrical and Electronic Equipment (WEEE Directive). This directive is applicable in the European Union member states. The WEEE marking on this product (see right) or its documentation indicates that the product must not be disposed of together with household waste. To prevent possible harm to human health and/or the environment, the product must be disposed of in an approved and environmentally safe recycling process. For further information on how to dispose of this product correctly, contact the product supplier, or the local authority responsible for waste disposal in your area. Business users should contact the product supplier for information on how to dispose of this product correctly. This product should not be mixed with other commercial waste.



Support

Should you require any technical assistance, please contact your Axis reseller. If your questions cannot be answered immediately, your reseller will forward your queries through the appropriate channels to ensure a rapid response. If you are connected to the Internet, you can:

- download user documentation and firmware updates
- find answers to resolved problems in the FAQ database. Search by product, category, or phrases
- report problems to Axis support by logging in to your private support area.
- chat with Axis support staff (selected countries only)
- visit Axis Support at www.axis.com/techsup/

Safeguards

Please read through this Installation Guide carefully before installing the Axis product. Keep the Installation Guide for further reference.

NOTICE

- Store the Axis product in a dry and ventilated environment.
- Avoid exposing the Axis product to vibration, shocks or heavy pressure. Do not install the product on unstable brackets, unstable or vibrating surfaces or walls, since this could cause damage to the product.
- Only use applicable tools when installing the Axis product; excessive force could cause damage to the product.
- Do not use chemicals, caustic agents, or aerosol cleaners. Use a damp cloth for cleaning.
- Use only accessories that comply with technical specification of the product. These can be provided by Axis or a third party.
- Use only spare parts provided by or recommended by Axis.
- Do not attempt to repair the product by yourself, contact Axis or your Axis reseller for service matters.

Important

- This Axis product shall be used in compliance with local laws and regulations.
- To use this Axis product outdoors, it shall be installed in an approved outdoor housing.
- The Axis product should be installed by a trained professional. Observe relevant national and local regulations for the installation.

Transportation

NOTICE

- When transporting the Axis product, use the original packaging or equivalent to prevent damage to the product.

Battery Replacement

This Axis product uses a 3.0 V CR2032 lithium battery as the power supply for its internal real-time clock (RTC). Under normal conditions this battery will last for a minimum of 5 years. Low battery power affects the operation of the RTC, causing it to reset at every power-up. A log message will appear when the battery needs replacing. The battery should not be replaced unless required!

If the battery does need replacing, please contact www.axis.com/techsup for assistance.

⚠ WARNING

- Dispose of used batteries according to the manufacturer's instructions.

NOTICE

- Risk of explosion if battery is incorrectly replaced.
- Replace only with the same or equivalent battery, as recommended by the manufacturer.

AXIS P1355, AXIS P1357 – Installation Guide

This guide provides instructions for installing an AXIS P1355/P1357 Network Camera on your network. For all other aspects of using the product, see the User Manual, available at www.axis.com

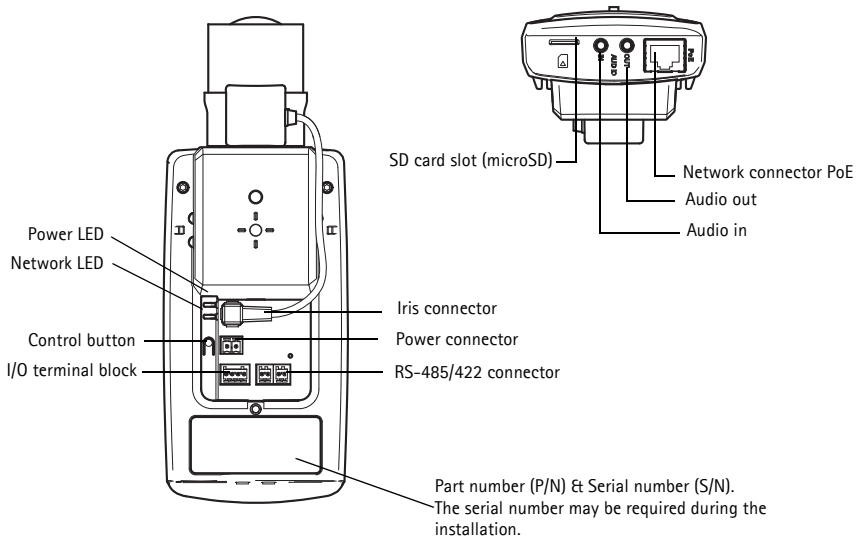
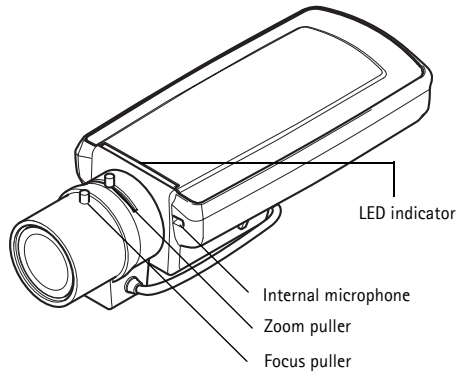
Installation steps

1. Check the package contents against the list below.
2. Hardware overview. See page 6.
3. Install the hardware. See page 7.
4. Access the video stream. See page 7
5. Adjust zoom and focus. See page 8

1 Package contents

Item	Models/variants/notes
Network camera	AXIS P1355, AXIS P1357
Power block connector	2-pin connector block to provide power to the camera from a DC power source (only for indoor variant)
Terminal block connector	4-pin connector block for connecting external devices to the I/O terminal connector 2x terminal connector 2-pin STR 2.5mm BP AB
Camera stand	One piece camera stand
CD	Installation and Management Software CD
Printed Materials	AXIS P1355/P1357 Installation Guide (this document) Drill template Extra serial number labels (2x) AVHS Authentication key
Optional accessories	See www.axis.com for information on power accessories and outdoor housings

2 Hardware overview



Dimensions

Model	H x W x D	Weight
AXIS P1355	46 x 78 x 205 mm (1.8" x 3.1" x 8.1")	600 g (1.32 lb)
AXIS P1357	46 x 78 x 205 mm (1.8" x 3.1" x 8.1")	600 g (1.32 lb)

3 Install the hardware

- ! IMPORTANT! - AXIS P1355/P1357 is designed for indoor and outdoor use. To use the camera outdoors, it must be installed in an approved outdoor housing. Please see www.axis.com for more information on outdoor housings.

Connect the cables

1. Connect external input/output devices if required, such as alarm devices. See page 10 for information on the terminal connector pins.
2. Connect an active speaker and/or external microphone if required.
3. Connect the camera to the network using a shielded network cable.
4. Connect power, using one of the methods listed below:
 - PoE (Power over Ethernet). PoE is automatically detected when the network cable is connected.
 - Connect an external power adapter to the power connector block; see *Unit connectors*, on page 10 for wiring information.
5. Check that the indicator LEDs indicate the correct conditions. See the table on page 13 for more details. Note that the Status LED can be configured to be unlit during normal operation.

4 Access the Video Stream

Use the tools provided on the Installation and Management Software CD to assign an IP address, set the password and access the video stream. This information is also available from the support pages on www.axis.com/techsup

5 Adjust zoom and focus

To adjust the zoom and focus follow these instructions:

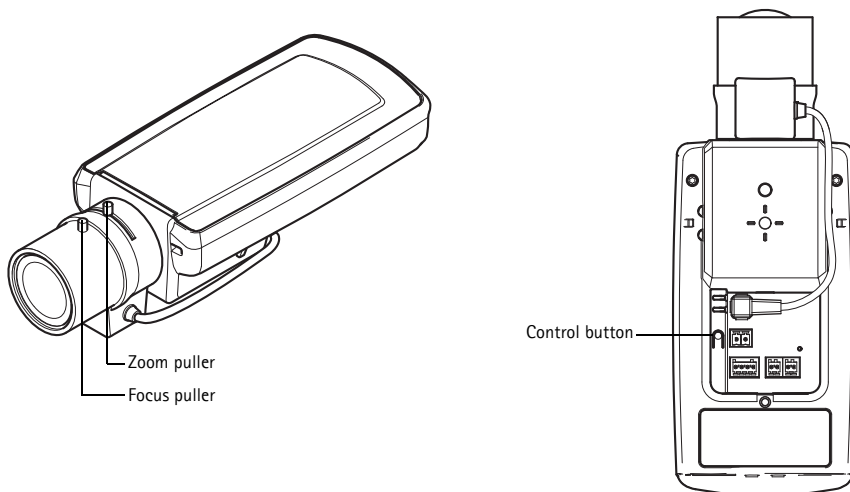
1. Open the product's home page and go to **Setup > Basic Setup > Focus**.
2. Under the **Basic** tab, click **Open iris**. If the button is inactive, the iris is already open.
3. If focus has been set before, click **Reset** to reset the back focus.
4. Loosen the zoom and focus pullers on the lens by turning them anti-clockwise. Move the pullers to set zoom and focus and check the quality of the image in the image window.

Note: If the camera is mounted so that one cannot look at the image and move the pullers at the same time, use the Focus Assistant instead. See page 9.

5. Retighten the zoom and focus pullers.
6. On the Focus page, click **Fine-tune focus automatically** and wait until the automatic fine-tuning is completed.
7. Click **Enable iris**. If the button is inactive, the iris has already been enabled.
8. If needed, make further adjustments under the **Advanced** tab. See the online help or User Manual for more information.

Notes:

- Set focus as precisely as possible with the focus puller or Focus Assistant before starting the automatic fine-tuning. Using the focus puller normally gives the best result.
- The iris should always be opened to its maximum while focusing; this gives the smallest depth of field and thus the best conditions for correct focusing.



Focus Assistant

To focus using the Focus Assistant, follow the instructions in steps 1 - 3 on page 8 before you start with the steps below.

1. Mount or place the camera so that it cannot be moved.
2. Loosen the zoom puller by turning it anti-clockwise. Move the puller to set the zoom level. Retighten the zoom puller.
3. Set the camera to its extreme distant-focus position by loosening the focus puller and turning the focus ring fully clockwise.
4. Press and quickly release the Control button. When the Status LED flashes green, the Focus Assistant is enabled.
If the Status LED flashes either red or amber before you are able to adjust the lens, skip to step 7 to exit the Focus Assistant and repeat steps 3 - 7. See the notes below.
5. Gently turn the focus ring anti-clockwise until it stops.
6. Finally, turn the focus ring slowly clockwise until the status indicator flashes green or amber (not red).
7. To exit the Focus Assistant, press the Control button again.
Note: The Focus Assistant is switched off automatically after 15 minutes.
8. Retighten the focus puller.
9. Open the **Live View** page in the web browser and check the quality of the image.
10. Continue with steps 6 - 8 on page 8.

Notes:

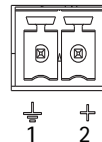
- The view in front of the camera should not be changed during focus adjustment (steps 5 and 6). If the camera is moved, or if a finger or other object is placed in front of the lens, steps 3 - 7 will have to be repeated.
- If movements in front of the camera cannot be avoided, the Focus Assistant should not be used.
- If the Control button is not released within two seconds, AXIS Dynamic DNS Service is enabled instead of the Focus Assistant.
- If the camera is mounted so that the Control button cannot be accessed, you can still use the Focus Assistant. Follow the instructions above but mount the camera after step 4 (pressing the Control button) instead and skip step 7.

Unit connectors

Network connector – RJ-45 Ethernet connector. Supports Power over Ethernet. Using shielded cables is recommended.

Power connector – 2-pin connector block used for power input.

Function	Pin number	Description	
GND	1	Ground	
DC Power	2	Power input 8-20 V DC	AXIS P1355: max 7.1 W AXIS P1357: max 7.9 W



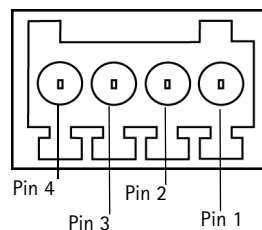
Audio in – 3.5 mm input for a mono microphone, or a line-in mono signal (left channel is used from a stereo signal).

Audio out – Audio output (line level) that can be connected to a public address (PA) system or an active speaker with a built-in amplifier. A pair of headphones can also be attached. A stereo connector must be used for the audio out.

SDHC memory card slot – A standard or high capacity SD memory card (microSD) can be used for local recording with removable storage.

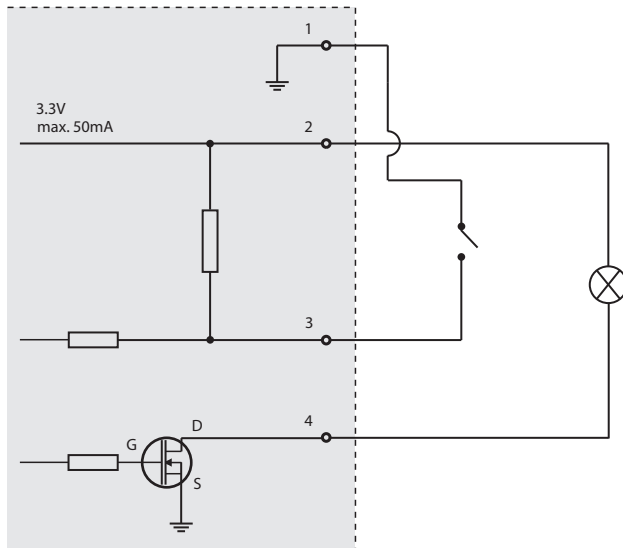
I/O terminal connector – Used in applications for e.g. motion detection, event triggering, time lapse recording and alarm notifications. In addition to an auxiliary power and a GND pin, it provides the interface to:

- 1 digital output – For connecting external devices such as relays and LEDs. Connected devices can be activated by the VAPIX® Application Programming Interface (API), by the output buttons on the **Live View** page or by an **Event Type**. The output will show as active (shown under **System Options > Ports & Devices**) if the alarm device is activated.
- 1 digital input – An alarm input for connecting devices that can toggle between an open and closed circuit, for example: PIRs, door/window contacts, glass break detectors, etc. When a signal is received the state changes and the input becomes active (shown under **System Options > Ports & Devices**).



Function	Pin	Notes	Specifications
GND	1	Ground	
3.3 V DC Power	2	Can be used to power auxiliary equipment. Note: This pin can <u>only</u> be used as power out.	Max load = 50 mA
Digital Input	3	Connect to GND to activate, or leave floating (unconnected) to deactivate.	Min. input = -40 V DC Max. input= +40 V DC
Digital Output	4	Uses an open-drain NFET transistor with the source connected to GND. If used with an external relay, a diode must be connected in parallel with the load, for protection against voltage transients.	Max. load =100 mA Max. voltage = + 40 V DC

The following connection diagram gives an example of how to connect an auxiliary device to the network camera.

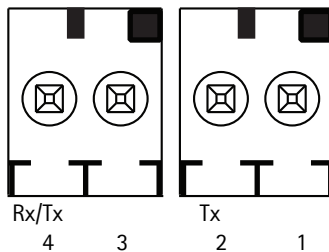


RS-485/422 – two 2-pin terminal blocks for RS-485/422 serial interface used to control auxiliary equipment.

The RS-485/422 serial port can be configured in the following port modes:

- Bidirectional RS-485 half-duplex port for data transmission using two wires, one combined RX/TX pair.
- Bidirectional RS-485 full-duplex port for data transmission using four wires, one RX pair and one TX pair.
- Unidirectional RS-422 port for transmitting or receiving data using two wires, RX- or TX pair.
- Bidirectional RS-422 full-duplex port for data transmission (point-to-point) using four wires, one RX pair and one TX pair.

Function	Pin	Notes
RS-485/422TX(A)	1	TX pair for RS-422 and 4-wire RS-485
RS-485/422TX(B)	2	
RS-485A alt RS-485/422RX(A)	3	RX pair for all modes (combined RX/TX for 2-wire RS-485)
RS-485B alt RS-485/422RX(B)	4	



LED indicators

LED	Color	Indication
Network	Green	Steady for connection to a 100 Mbit/s network. Flashes for network activity.
	Amber	Steady for connection to 10 Mbit/s network. Flashes for network activity.
	Unlit	No network connection.
Status	Green	Steady green for normal operation. Note: The Status LED can be configured to be unlit during normal operation, or to flash only when the camera is accessed. To configure, go to Setup > System Options > LED settings . See the online help files for more information.
	Amber	Steady during startup, during reset to factory default or when restoring settings.
	Red	Slow flash for failed upgrade.
Power	Green	Normal operation.
	Amber	Flashes green/amber during firmware upgrade.

Status LED when using the Focus Assistant

Status LED	Color	Indication
	Green	Step 4: Focus Assistant is enabled Step 6: The lens is optimally adjusted
	Amber	Step 4: The camera has been moved, or an object has been inserted in front of the lens. Exit and restart the Focus Assistant. Step 6: The lens is less optimally adjusted
	Red	Step 4: The camera has been moved, or an object has been inserted in front of the lens. Exit and restart the Focus Assistant. Step 6: The lens is poorly adjusted

Resetting to the factory default settings

This will reset all parameters, including the IP address and focus position, to the factory default settings:

1. Disconnect power from the camera.
2. Press and hold the Control button and reconnect power.
3. Keep the Control button pressed until the Status indicator displays amber (this may take up to 30 seconds).
4. Release the Control button. When the Status indicator displays green (which can take up to 1 minute) the process is complete and the network camera has been reset.
5. Re-assign the IP address, using one of the methods described in the documentation available on the CD.
6. Refocus the camera, using one of the methods described in this document.

It is also possible to reset parameters to the original factory default settings via the web interface. For more information, please see the online help or the User Manual.

Further Information

The User Manual is available from the Axis Web site at www.axis.com

Visit www.axis.com/techsup to check if there is updated firmware available for your network product. To see the currently installed firmware version, see Setup > About.

Visit Axis learning center www.axis.com/academy for useful trainings, webinars, tutorials and guides.

Warranty

For information about Axis' product warranty and thereto related information, see www.axis.com/warranty

Mesures de sécurité

Lisez attentivement le présent Guide d'installation avant d'installer le produit Axis. Conservez le Guide d'installation pour une utilisation ultérieure.

AVIS

- Conservez le produit Axis dans un environnement sec et aéré.
- Évitez d'exposer le produit Axis aux vibrations, aux chocs ou à une forte pression. N'installez pas le produit sur un support instable, ou des surfaces ou des murs instables ou vibrants, car cela pourrait l'endommager.
- N'utilisez que les outils applicables pour installer le produit Axis ; une force excessive pourrait endommager le produit.
- Pour le nettoyage, n'utilisez ni produits chimiques, ni substances caustiques ou aérosols. Utilisez un chiffon humide pour le nettoyage.
- N'utilisez que des accessoires conformes aux caractéristiques techniques du produit. Ceux-ci peuvent être fournis par Axis ou par un fournisseur tiers.
- Utilisez uniquement des pièces de rechange fournies ou recommandées par Axis.
- Ne tentez pas de réparer le produit vous-même, contactez Axis ou votre revendeur Axis pour toute réparation.

Important

- Ce produit Axis doit être utilisé conformément aux lois et réglementations locales en vigueur.
- Pour pouvoir être utilisé à l'extérieur, ce produit Axis doit être placé dans un boîtier d'extérieur homologué.
- Le produit Axis doit être installé par un professionnel qualifié. Veuillez vous conformer aux règlements nationaux et locaux relatifs à l'installation.

Transport

AVIS

- Pour transporter le produit Axis et éviter de l'endommager, utilisez l'emballage d'origine ou un emballage équivalent.

Remplacement des piles

Ce produit Axis nécessite une pile au lithium CR2032 de 3,0 V pour l'alimentation de son horloge en temps réel interne. Dans des conditions normales d'utilisation, cette pile est censée durer au moins 5 ans. Si la pile est faible, le fonctionnement de l'horloge en temps réel peut être affecté et entraîner sa réinitialisation à chaque mise sous tension. Un message enregistré apparaît lorsque la pile doit être remplacée. Ne remplacez la pile qu'en cas de nécessité !

Si la pile doit être remplacée, veuillez contacter www.axis.com/techsup pour obtenir de l'aide.

⚠ AVERTISSEMENT

- Jetez les piles usagées conformément aux consignes du fabricant.

AVIS

- Le remplacement incorrect de la pile peut entraîner un risque d'explosion.
- Remplacez la pile par une pile identique ou équivalente uniquement, en respectant les recommandations du fabricant.

AXIS P1355 AXIS P1357 – Guide d'installation

Ce guide explique comment installer une caméra réseau AXIS P1355/P1357 sur votre réseau. Pour tous les autres aspects liés à l'utilisation de ce produit, veuillez consulter le Manuel de l'utilisateur, disponible sur www.axis.com

Procédure d'installation

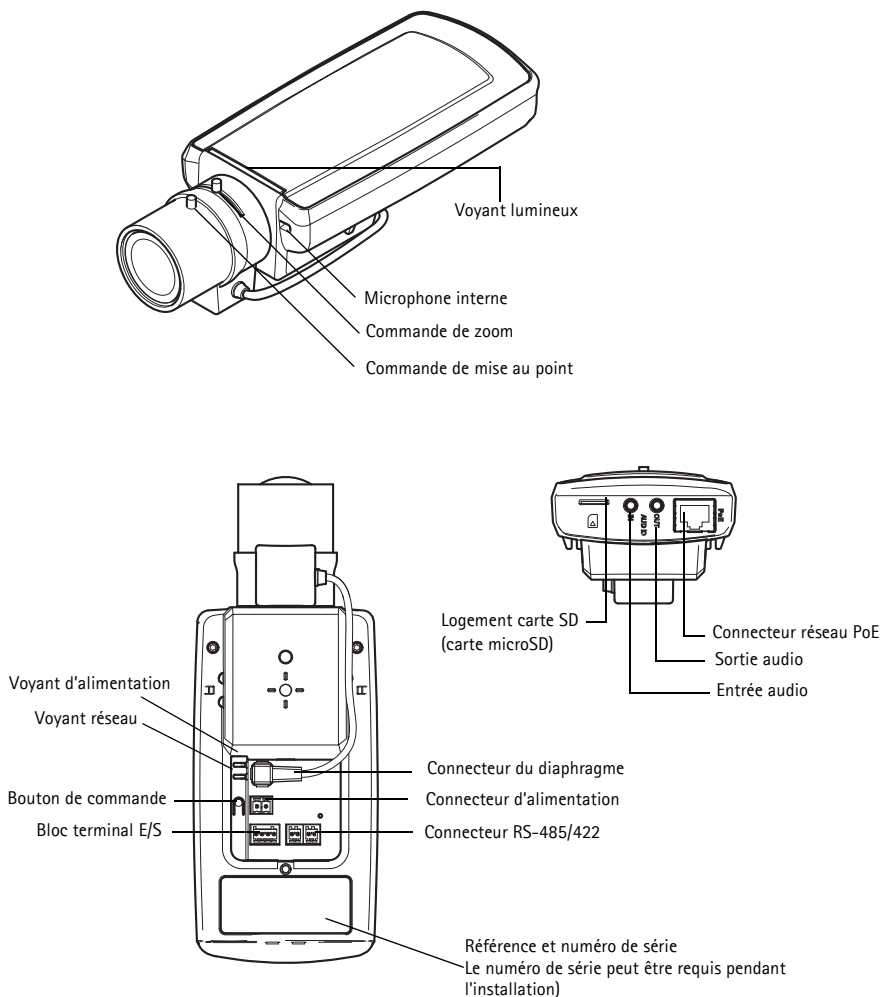
1. Vérification du contenu de l'emballage par rapport à la liste ci-dessous.
2. Aperçu du matériel. Reportez-vous à la section page 18.
3. Installation du matériel. Voir page 19.
4. Accès au flux de données vidéo. Voir page 19
5. Réglage du zoom et de la mise au point. Voir page 20

FRANÇAIS

① Contenu de l'emballage

Élément	Modèles/variantes/remarques
Caméra réseau	AXIS P1355 , AXIS P1357
Connecteur du bloc d'alimentation	Bloc de connecteur à 2 broches pour alimenter la camera à une source d'alimentation CC (uniquement pour la variante d'intérieur)
Bloc de connexion pour terminaux	Bloc de connexion à 4 broches pour le raccordement de dispositifs externes au connecteur pour terminaux E/S 2x connecteurs pour terminaux à deux 2 broches STR 2,5mm BP AB
Support de caméra	Support de caméra en une pièce
CD	CD d'installation et de logiciel de gestion
Documentation imprimée	AXIS P1355/P1357 Guide d'installation (ce document) Gabarit de perçage Étiquettes de numéro de série supplémentaires (x2) Clé d'authentification AVHS
Accessoires en option	Pour tout complément d'information sur les accessoires d'alimentation et les boîtiers d'extérieur, consultez le site Web www.axis.com

2 Vue d'ensemble du matériel



Dimensions

Modèle	H x W x D	Poids
AXIS P1355	46 x 78 x 205 mm	600 g (1,32 lb)
AXIS P1357	46 x 78 x 205 mm	600 g (1,32 lb)

3 Installation du matériel

- ! IMPORTANT ! AXIS P1355/P1357 sont conçues pour des utilisations en intérieur et en extérieur. Pour pouvoir être utilisées à l'extérieur, elles doivent être placées dans un boîtier d'extérieur homologué. Consultez le site www.axis.com pour obtenir plus d'informations sur les boîtiers d'extérieur.

Branchement des câbles

1. Connectez des dispositifs d'entrée/sortie externes si nécessaire, par exemple des systèmes d'alarme. Reportez-vous à la page 23 pour Reportez-vous à la pour plus d'informations sur les broches du connecteur pour terminaux.
2. Branchez un haut-parleur actif et/ou un microphone externe si nécessaire.
3. Connectez la caméra à votre réseau à l'aide d'un câble réseau blindé.
4. Branchez l'alimentation selon l'une des méthodes décrites ci-dessous.
 - Alimentation par Ethernet (PoE) : l'alimentation par Ethernet (PoE) est automatiquement détectée lorsque le câble réseau est connecté.
 - Branchez un adaptateur secteur externe sur le bloc de connexion d'alimentation. Cf. *Connecteurs de l'appareil*, page 23 pour toute information sur le câblage.
5. Vérifiez que les voyants lumineux indiquent que tout fonctionne correctement. Pour plus d'informations, reportez-vous au tableau de la page 26. Notez que le voyant d'état peut être configuré pour être éteint pendant le fonctionnement normal.

4 Accès aux flux de données vidéo

Utilisez les outils fournis sur le CD d'installation et de logiciel de gestion pour attribuer une adresse IP, configurez le mot de passe et accédez au flux vidéo. Ces informations sont également disponibles sur les pages d'assistance de www.axis.com/techsup

5 Réglage du zoom et de la mise au point

Pour régler le zoom et la mise au point, procédez comme suit :

1. Ouvrez la page d'accueil du produit et sélectionnez **Setup > Basic Setup > Focus** (Configuration > Configuration de base > Mise au point).
2. Sous l'onglet Basic (Configuration de base), cliquez sur **Open iris** (Ouvrir l'iris). Si le bouton est inactif, l'iris est déjà ouvert.
3. Si la mise au point a déjà été effectuée, cliquez sur **Reset**(Réinitialiser) pour réinitialiser la mise au point arrière.
4. Desserrez les commandes de zoom et de mise au point de l'objectif en les tournant dans le sens inverse des aiguilles d'une montre. Déplacez les commandes pour régler le zoom et la mise au point et vérifiez la qualité de l'image dans la fenêtre correspondante.

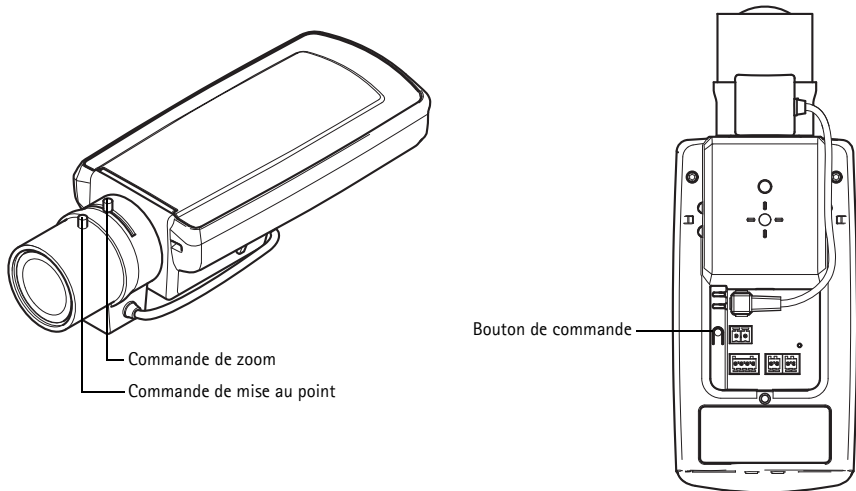
Remarque : Si la caméra est montée de façon à ce qu'il soit impossible de regarder l'image et de déplacer les commandes en même temps, utilisez plutôt l'assistant de mise au point. Reportez-vous à la section page 21.

5. Resserrez les commandes de zoom et de mise au point.
6. À la page Focus (Mise au point), cliquez sur **Fine-tune focus automatically** (Ajuster la mise au point automatiquement) et attendez jusqu'à ce que l'ajustement automatique soit terminé.
7. Cliquez sur **Enable iris** (Activer l'iris). Si le bouton est inactif, l'iris a déjà été activé.
8. Si nécessaire, effectuez d'autres réglages sous l'onglet **Advanced** (Avancé). Pour tout complément d'information, reportez-vous à l'aide en ligne ou au manuel de l'utilisateur.

Remarques :

- Effectuez la mise au point aussi précisément que possible à l'aide de la commande de mise au point ou de l'assistant avant de démarrer l'ajustement automatique. L'utilisation normale du dispositif de mise au point donne le meilleur résultat.

- Le diaphragme doit toujours être ouvert au maximum lors de la mise au point, ce qui offre la plus petite profondeur de champ et, par conséquent, les meilleures conditions pour une mise au point correcte.



Assistant de mise au point

Pour mettre au point à l'aide de l'Assistant de mise au point, suivez les instructions des étapes 1 à 3 de la page page 20 avant de commencer avec les étapes ci-après.

1. Installez ou placez la caméra de sorte qu'elle ne puisse pas être déplacée.
2. Desserrez la commande de zoom en la tournant dans le sens inverse des aiguilles d'une montre. Déplacez la commande pour régler le niveau du zoom. Resserrez la commande de zoom.
3. Réglez la caméra sur sa position de mise au point à distance extrême en desserrant la commande de mise au point et en tournant la bague de mise au point au maximum dans le sens des aiguilles d'une montre.
4. Appuyez sur le bouton de commande et relâchez-le très vite. Lorsque le voyant d'état clignote en vert, l'assistant de mise au point est activé.
Si le voyant d'état clignote en rouge ou en orange avant que vous n'ayez pu régler l'objectif, passez à l'étape 7 pour quitter l'assistant et recommencez les étapes 3 à 7.
5. Tournez délicatement la bague de mise au point dans le sens inverse des aiguilles d'une montre jusqu'à ce qu'elle s'arrête.
6. Enfin, tournez lentement la bague de mise au point dans le sens des aiguilles d'une montre jusqu'à ce que l'indicateur d'état clignote en vert ou en orange (et non en rouge).
7. Pour quitter l'assistant de mise au point, appuyez à nouveau sur le bouton de commande.

Remarque : L'assistant de mise au point se désactive automatiquement après 15 minutes.

8. Resserrez la commande de mise au point.
9. Ouvrez la page **Live View** (Vidéo en direct) du navigateur web et contrôlez la qualité de l'image.
10. Continuez avec les étapes 6 à 8 à la page 20.

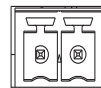
Remarques :

- La vue en face de la caméra ne doit pas être modifiée lors du réglage de la mise au point (étapes 5 et 6). Si la caméra est déplacée ou si un doigt ou un autre objet est placé devant l'objectif, vous devrez recommencer les étapes 3 à 7.
- Si les mouvements devant la caméra ne peuvent pas être évités, l'assistant de mise au point ne doit pas être utilisé.
- Si vous ne relâchez pas le bouton de commande dans les deux secondes, le service AXIS Dynamic DNS sera activé au lieu de l'assistant de mise au point.
- Si la caméra est montée de sorte qu'il soit impossible d'accéder au bouton de commande, vous pouvez tout de même utiliser l'assistant. Procédez comme indiqué ci-dessus, mais montez la caméra après l'étape 4 (en appuyant sur le bouton de commande) et passez à l'étape 7.

Connecteurs de l'appareil

Connecteur réseau – Connecteur Ethernet RJ-45. Compatible avec l'alimentation par Ethernet. Il est recommandé d'utiliser des câbles blindés.

Connecteur d'alimentation – Bloc de connexion à 2 broches utilisé pour l'alimentation d'entrée.



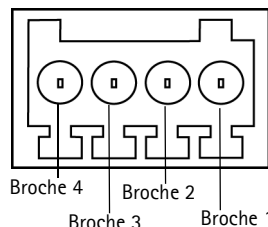
Fonction	Numéro de broche	Description
GND (Terre)	1	Mise à la terre
Alimentation CC	2	Puissance d'entrée 8 à 20 V CC AXIS P1355 : max 7,1 W AXIS P1357: max 7,9 W

Entrée audio – Entrée de 3,5 mm pour microphone mono ou signal mono avec entrée de ligne (le canal de gauche est utilisé pour le signal stéréo).

Sortie audio – Sortie audio (niveau ligne) pouvant être connectée à un système de diffusion publique ou à un haut-parleur actif avec amplificateur intégré. Il est également possible de connecter une paire d'écouteurs. Un connecteur stéréo doit être utilisé pour la sortie audio.

Logement pour carte mémoire SDHC– Une carte mémoire SD (micro SD) de capacité standard ou haute capacité peut être utilisée pour l'enregistrement local avec stockage amovible.

Connecteur du bornier E/S – Utilisé dans des applications telles que la détection de mouvements, le déclenchement d'événements, l'enregistrement à intervalles et les notifications d'alarme. En plus d'une alimentation auxiliaire et d'une broche GND, il assure l'interface avec :

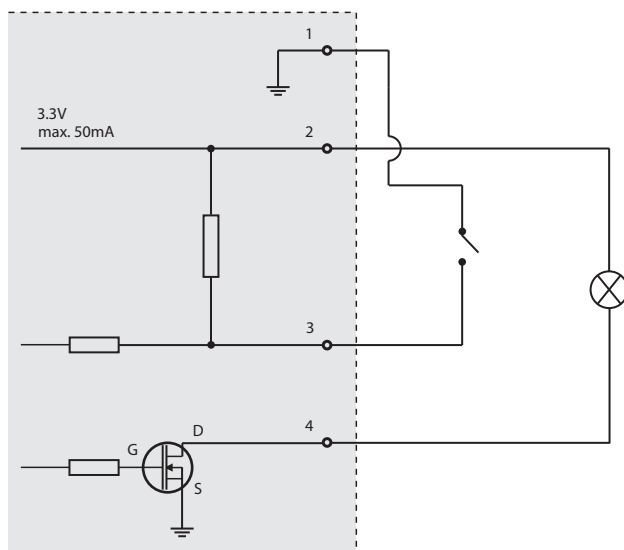


- 1 sortie numérique – Permet de connecter des dispositifs externes, comme des relais ou des voyants lumineux. Les dispositifs connectés peuvent être activés à l'aide de l'interface de programmation VAPIX®, des boutons de sortie sur la page **Live View** (Vidéo en direct) ou par un **type d'événement**. La sortie est considérée comme étant active (sous **System Options > Ports & Devices** (Options Système > Ports & périphériques)) si le dispositif d'alarme est activé.
- 1 entrée numérique – Entrée d'alarme utilisée pour connecter des dispositifs pouvant passer d'un circuit ouvert à un circuit fermé, par exemple : les détecteurs de mouvement passif à infrarouge (PIR), les interrupteurs installés sur les portes et les fenêtres, les détecteurs de bris de verre détecteurs, etc. Lorsqu'un signal est reçu, l'état change et l'entrée devient active (sous **System Options > Port & Devices** (Options Système > Ports & périphériques)).

FRANÇAIS

Fonction	Broche	Remarques	Caractéristiques techniques
GND (Terre)	1	Mise à la terre	
Alimentation 3.3 V CC	2	Peut servir à alimenter le matériel auxiliaire. Remarque : Cette broche <u>ne peut être</u> utilisée que comme sortie d'alimentation.	Charge max. = 50 mA
Entrée numérique	3	Connectez-la à la broche de mise à la terre pour l'activer ou laissez-la flotter (déconnectée) pour la désactiver.	Entrée min. = -40 V CC Entrée max. = +40 V CC
Sortie numérique	4	Utilise un transistor NFET à drain ouvert avec la source connectée à la terre. En cas d'utilisation avec un relais externe, une diode doit être connectée en parallèle avec la charge, en guise de protection contre les tensions transitoires.	Charge max. = 100 mA Tension max. = +40 V CC

Le schéma de câblage qui suit fournit un exemple de connexion d'un périphérique auxiliaire à la caméra réseau.



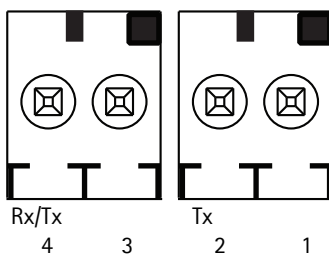
Connecteur – Deux blocs terminaux à 2 broches pour l'interface série RS-485/422 utilisée pour le contrôle des équipements auxiliaires.

Le port série RS-485/422 peut être configuré dans les modes de port suivants :

- Port semi-duplex RS-485 bidirectionnel pour la transmission de données à l'aide de deux fils, une paire RX/TX combinée.
- Port duplex RS-485 bidirectionnel pour la transmission de données à l'aide de quatre fils, une paire RX et une paire TX.
- Port RS-422 unidirectionnel pour la transmission ou la réception de données à l'aide de deux fils, une paire RX ou TX.
- Port duplex RS-422 bidirectionnel pour la transmission de données (point à point) à l'aide de quatre fils, une paire RX et une paire TX.

Fonction	Broche	Remarques
RS -485/422TX(A)	1	Paire TX pour RS-422 et RS-485 à 4 fils
RS -485/422TX(B)	2	
RS-485A alt RS-485/422RX(A)	3	Paire RX pour tous les modes (RX/TX combiné pour RS-485 à 2 fils)
RS-485B alt RS-485/422RX(B)	4	

FRANÇAIS



Voyants lumineux

Voyant	Couleur	Indication
Réseau	Vert	Continu en cas de connexion à un réseau de 100 Mbit/s. Clignote en cas d'activité réseau.
	Orange	Continu en cas de connexion à un réseau de 10 Mbit/s. Clignote en cas d'activité réseau.
	Éteint	Pas de connexion au réseau.
État	Vert	Vert continu en cas de fonctionnement normal. Remarque : Le voyant LED de situation peut être configuré pour être éteint pendant le fonctionnement normal ou pour clignoter uniquement en cas d'accès à la caméra. Pour ce faire, cliquez sur Setup > System Options > LED settings (Configuration > Options du système > Paramètres des voyants . Reportez-vous à l'aide en ligne pour plus d'informations.)
	Orange	En continu pendant le démarrage, la réinitialisation des paramètres d'usine par défaut ou la restauration des paramètres.
	Rouge	Clignote lentement en cas d'échec de la mise à niveau.
Alimentation	Vert	Fonctionnement normal.
	Orange	Le voyant vert/orange clignote pendant la mise à niveau des microprogrammes.

Voyant d'état lors de l'utilisation de l'assistant de mise au point

Voyant d'état	Couleur	Indication
	Vert	Étape 4 : l'assistant de mise au point est activé. Étape 6 : l'objectif est réglé de manière optimale.
	Orange	Étape 4 : la caméra a bougé ou un objet a été placé devant l'objectif. Quittez l'assistant de mise au point et recommencez. Étape 6 : l'objectif est réglé de manière moins optimale.
	Rouge	Étape 4 : la caméra a bougé ou un objet a été placé devant l'objectif. Quittez l'assistant de mise au point et recommencez. Étape 6 : l'objectif est mal réglé.

Rétablissement des paramètres d'usine par défaut

Procédez comme suit pour rétablir tous les paramètres par défaut définis en usine, y compris l'adresse IP et la position de la mise au point:

1. Mettez la caméra hors tension.
2. Maintenez le bouton de commande enfoncé et remettez la caméra sous tension.
3. Appuyez sur le bouton de commande jusqu'à ce que l'indicateur d'état passe à l'orange (cela peut prendre jusqu'à 30 secondes).
4. Relâchez le bouton de commande. Lorsque l'indicateur d'état émet une lumière verte (ce qui peut prendre 1 minute), le processus est terminé : les paramètres par défaut de la caméra réseau ont été rétablis.
5. Réaffectez l'adresse IP à l'aide de l'une des méthodes décrites dans le document disponible sur le CD.
6. Effectuez de nouveau la mise au point de la caméra, suivant une des méthodes décrites dans ce document.

Il est également possible de rétablir les paramètres d'usine par défaut d'origine à partir de l'interface Web. Pour plus d'informations, reportez-vous à l'aide en ligne ou au manuel de l'utilisateur.

Plus d'informations

Vous pouvez consulter le Manuel de l'utilisateur à l'adresse www.axis.com

Consultez le site www.axis.com/techsup pour vérifier si des mises à jour des micrologiciels sont disponibles pour votre caméra Axis. Pour connaître la version du micrologiciel actuellement installée, reportez-vous à la page Setup > About (Configuration - À propos de).

Visitez le centre d'apprentissage en ligne d'Axis sur le site www.axis.com/academy pour en savoir plus sur les formations, les webinaires, les tutoriels et les guides.

Garantie

Pour obtenir plus de renseignements sur la garantie produit AXIS et des renseignements connexes, voir www.axis.com/warranty

Sicherheitsvorkehrungen

Bitte lesen Sie diese Installationsanleitung sorgfältig durch, bevor Sie mit der Installation des Axis Produkts beginnen. Halten Sie die Installationsanleitung bereit, falls Sie darauf zurückgreifen müssen.

HINWEIS

- Lagern Sie das Axis-Produkt in einer trockenen und belüfteten Umgebung.
- Setzen Sie das Axis Produkt keinen Vibrationen, Erschütterungen oder starkem Druck aus. Installieren Sie das Produkt nicht an instabilen Halterungen oder instabilen oder vibrierenden Oberflächen oder Mauern, da dadurch das Produkt beschädigt werden könnte.
- Verwenden Sie bei der Installation des Axis Produkts nur geeignetes Werkzeug; zu hoher Kraftaufwand kann das Produkt beschädigen.
- Verwenden Sie keine chemischen, ätzenden oder aerosolhaltigen Reinigungsmittel. Verwenden Sie zur Reinigung ein feuchtes Tuch.
- Verwenden Sie nur Zubehör, das den technischen Spezifikationen des Produkts entspricht. Dieses ist von Axis oder Drittanbietern erhältlich.
- Verwenden Sie nur Ersatzteile, die von Axis empfohlen bzw. bereitgestellt wurden.
- Versuchen Sie nicht, das Produkt selbst zu reparieren. Wenden Sie sich bei Service-Angelegenheiten an Axis oder an Ihren Axis-Händler.

Wichtig

- Verwenden Sie dieses Axis-Produkt unter Beachtung der vor Ort geltenden rechtlichen Bestimmungen.
- Um dieses Axis-Produkt im Freien verwenden zu können, muss es in einem zugelassenen Außengehäuse installiert werden.
- Das Axis Produkt sollte nur von geschultem Fachpersonal installiert werden. Beachten Sie bei der Montage die geltenden nationalen und lokalen Bestimmungen.

Transport

HINWEIS

- Transportieren Sie das Axis-Produkt nur in der Originalverpackung bzw. in einer vergleichbaren Verpackung, damit das Produkt nicht beschädigt wird.

Batteriewechsel

Dieses Axis-Produkt ist mit einer 3,0 V CR2032 Lithium-Batterie als Stromversorgung für die interne Echtzeituhr (RTC) ausgestattet. Unter normalen Bedingungen hält die Batterie mindestens 5 Jahre. Bei entladener Batterie ist der Betrieb der Echtzeituhr nicht mehr ausreichend gewährleistet, so dass die Uhr bei jedem Systemstart zurückgesetzt wird. Sie erhalten eine Protokollnachricht, wenn ein Batteriewechsel erforderlich ist. Die Batterie sollte erst bei Bedarf gewechselt werden.

Unter www.axis.com/techsup finden Sie Informationen darüber, was Sie beim Austausch der Batterie beachten müssen.

⚠ WARNUNG

- Verbrauchte Batterien sind gemäß den Herstelleranweisungen zu entsorgen.

HINWEIS

- Explosionsgefahr bei fehlerhaftem Batteriewechsel!
- Die Batterie muss durch dasselbe oder ein gleichwertiges Fabrikat ersetzt werden, das vom Hersteller zugelassen ist.

AXIS P1355, AXIS P1357 – Installationskurzanleitung

In dieser Anleitung wird die Installation einer AXIS P1355/P1357 Netzwerk-Kamera in einem Netzwerk beschrieben. Alle anderen Aspekte bezüglich der Nutzung des Produkts finden Sie im Benutzerhandbuch unter www.axis.com

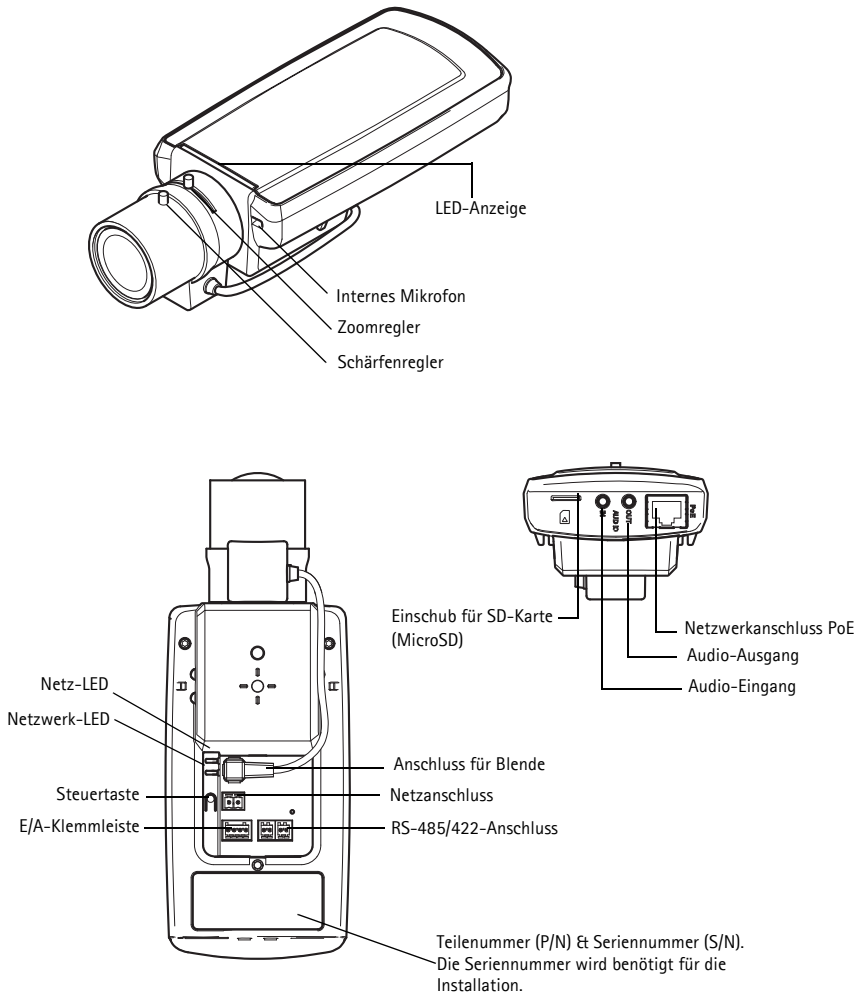
Installationsschritte

1. Prüfen Sie den Packungsinhalt anhand der nachfolgenden Liste.
2. Übersicht über die Hardware. Siehe Seite 32.
3. Installieren Sie die Hardware. Siehe Seite 33.
4. Zugriff auf den Videostrom. Siehe Seite 33
5. Stellen Sie den Zoom und die Bildschärfe ein. Siehe Seite 34

1 Lieferumfang

Artikel	Modelle / Varianten / Hinweise
Netzwerk-Kamera	AXIS P1355, AXIS P1357
Leistenstromanschluss	2-poliger Leisten-Anschluss für die Stromversorgung der Kamera aus einer Gleichstrom-Stromquelle (nur im Innenbereich)
Klemmenleisten-Anschluss	4-polige Anschlussleiste zum Anschluss von externen Geräten an einen E/A-Klemmen-Anschluss 2x Klemmanschluss 2-polig STR 2,5mm BP AB
Kameramontagefuß	Ein Kameramontagefuß
CD-ROM	Installations- und Management-Software CD-ROM
Drucksachen	AXIS P1355/P1357 Installationsanleitung (dieses Dokument) Bohrschablone Zusätzliche Etiketten mit der Seriennummer (2x) AVHS-Authentifizierungsschlüssel
Optionales Zubehör	Weitere Informationen zum Zubehör für die Stromversorgung und Gehäusen für den Außenbereich finden Sie unter „ www.axis.com “

2 Hardwareübersicht



Abmessungen

Modell	H x B x T	Gewicht
AXIS P1355	46 x 78 x 205 mm (1,8" x 3,1" x 8.1")	600 g (1.32 lb)
AXIS P1357	46 x 78 x 205 mm (1,8" x 3,1" x 8.1")	600 g (1.32 lb)

3 Installieren der Hardware

- !** WICHTIG! - AXIS P1355/P1357 wurde für die Verwendung im Innen- und Außenbereich konzipiert. Um die Kamera im Freien zu verwenden, muss sie in einem für Außenbereiche zugelassenen Gehäuse installiert werden. Auf unserer Homepage unter www.axis.com finden Sie weitere Informationen über Gehäuse für den Außenbereich.

Anschließen der Kabel

- Schließen Sie bei Bedarf externe Geräte, z. B. Alarmanlagen, an. Siehe Seite 37 für Informationen zur Anschlussbelegung.
- Schließen Sie ggf. einen Aktivlautsprecher und/oder ein externes Mikrofon an.
- Verbinden Sie die Kamera über ein abgeschirmtes Netzwerkkabel mit dem Netzwerk.
- Schließen Sie die Kamera auf eine der folgenden Arten an die Stromversorgung an:
 - Über PoE (Power over Ethernet). PoE wird beim Anschließen des Netzwerkkabels automatisch erkannt.
 - Verbinden Sie ein externes Netzteil mit dem Anschlussblock für die Stromversorgung. Informationen zur Verkabelung finden Sie unter *Geräteanschlüsse*, auf Seite 37.
- Überprüfen Sie, ob die LED-Anzeigen die Betriebszustände korrekt angeben. Weitere Informationen hierzu finden Sie in der Tabelle auf Seite 40. Beachten Sie, dass die Status-LED so konfiguriert werden kann, dass sie bei normalem Betrieb nicht leuchtet.

DEUTSCH

4 Zugriff auf den Videostrom

Verwenden Sie die auf der Installations- und Management-Software bereitgestellten Werkzeuge, um die IP-Adresse zuzuweisen, das Passwort einzustellen und um auf den Videostrom zu gelangen. Diese Informationen sind ebenso in den Hilfeseiten der Website www.axis.com/techsup enthalten.

5 Einstellen von Zoom und Fokus

Befolgen Sie die folgenden Anweisungen, um die Zoomstärke und die Bildschärfe einzustellen:

1. Rufen Sie die Webseite des Produkts auf und gehen Sie auf **Einrichtung (Setup) > Standardeinstellung (Basic Setup) > Fokus (Focus)**.
2. Klicken Sie unterhalb der Taste **Standard (Basic)** auf **Blende öffnen (Open iris)**. Ist diese Schaltfläche deaktiviert, ist die Blende bereits offen.
3. Wurde der Fokus zuvor eingestellt, klicken Sie auf **Werkseinstellungen wiederherstellen (Reset)**, um das Auflagemaß auf den Standardwert zurückzusetzen.
4. Lösen Sie den Zoomregler und den Schärferegler am Objektiv, indem Sie sie entgegen dem Uhrzeigersinn drehen. Bewegen Sie die beiden Regler und stellen Sie die Zoomstärke und die Bildschärfe ein. Prüfen Sie die Bildqualität im Bildfenster.

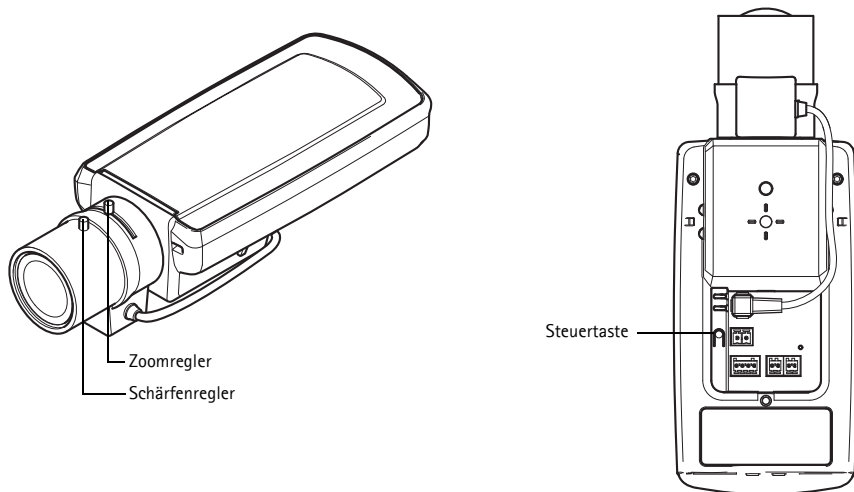
Hinweis: Wenn die Kamera so montiert ist, dass es nicht möglich ist, die Bildqualität zu prüfen und gleichzeitig die Regler zu bewegen, können Sie stattdessen den Fokus-Assistenten verwenden. Siehe Seite 35.

5. Drehen Sie den Zoomregler und den Schärferegler wieder fest.
6. Klicken Sie auf der Fokus-Seite auf **Optimieren (Fine-tune) Autofokus (focus automatically)** und warten Sie, bis die automatische Optimierung fertig ist.
7. Klicken Sie auf **Blende aktivieren (Enable iris)**. Ist diese Schaltfläche deaktiviert, ist die Blende bereits aktiviert.
8. Falls notwendig können Sie weitere Einstellungen unter dem Reiter **Erweitert (Advanced)** -Taste vornehmen. Weitere Informationen hierzu finden Sie im Benutzerhandbuch oder in der Online-Hilfe.

Hinweise:

- Stellen Sie die Bildschärfe so präzise wie möglich mithilfe des Schärfereglers oder des Fokus-Assistenten ein, bevor Sie die automatische Feinabstimmung starten. Der Schärferegler liefert in der Regel die besten Ergebnisse.

- Während der Fokussierung sollte die Blende immer vollständig geöffnet sein, wodurch die niedrigste Schärfentiefe erreicht wird. Dies sind die besten Voraussetzungen für eine richtige Fokussierung.



Fokus-Assistent

Um die Schärfe mit dem Fokus-Assistenten einzustellen, folgen Sie den Schritten 1 - 3 auf Seite 34 bevor Sie mit den folgenden Schritten beginnen.

1. Hängen oder platzieren Sie die Kamera so, dass sie sich nicht bewegen kann.
2. Lösen Sie den Zoomregler, indem Sie ihn entgegen dem Uhrzeigersinn drehen. Bewegen Sie den Regler und stellen Sie die Zoomstärke ein. Drehen Sie den Zoomregler wieder fest.
3. Stellen Sie die Kamera auf ihre weiteste Fernfokus-Position ein, indem Sie den Schärferegler lösen und den Fokusring (Schärferegler) vollständig im Uhrzeigersinn drehen.
4. Drücken Sie die Steuertaste und lassen Sie sie schnell wieder los. Wenn die Status-LED grün blinkt, ist der Fokus-Assistent aktiviert.
Wenn die Status-LED rot oder gelb blinkt, bevor Sie das Objektiv einstellen können, fahren Sie mit Schritt 7 fort, um den Fokus-Assistenten zu beenden, und wiederholen Sie die Schritte 3 bis 7. Weitere Informationen finden Sie in den Hinweisen unten.
5. Drehen Sie den Fokusring (Schärferegler) vorsichtig entgegen dem Uhrzeigersinn, bis zum Anschlag.
6. Drehen Sie den Fokusring (Schärferegler) abschließend langsam im Uhrzeigersinn, bis die Statusanzeige grün oder gelb blinkt (nicht rot).
7. Zum Beenden des Fokus-Assistenten drücken Sie die Steuertaste noch einmal.
Hinweis: Der Fokus-Assistent wird nach 15 Minuten automatisch ausgeschaltet.
8. Drehen Sie den Schärferegler wieder fest.

9. Öffnen Sie die Seite der **Live-Ansicht (Live View)** im Webbrowser und überprüfen Sie die Qualität der Bilder.
10. Fahren Sie fort mit den Schritten 6 - 8 auf Seite 34.

Hinweise:

- Während der Fokussierung der Kamera (Schritte 5 und 6) muss das Sichtfeld der Kamera unverändert bleiben. Falls Sie die Kamera bewegen, oder wenn ein Finger oder ein Gegenstand vor dem Objektiv platziert wird, müssen Sie die Schritte 3 bis 7 wiederholen.
- Wenn Bewegungen vor der Kamera nicht vermieden werden können, sollten Sie den Fokus-Assistenten nicht verwenden.
- Wenn Sie die Steuertaste nicht innerhalb von zwei Sekunden loslassen, wird anstelle des Fokus-Assistenten der AXIS Dynamic DNS Service aktiviert.
- Wenn die Kamera so montiert ist, dass die Betätigung der Steuertaste nicht möglich ist, können Sie trotzdem den Fokus-Assistenten verwenden. Folgen sie den oben stehenden Anweisungen aber hängen Sie die Kamera stattdessen nach Schritt 4 ein (Steuerungstaste drücken) und überspringen Sie Schritt 7.

Geräteanschlüsse

Netzwerkanschluss – RJ-45-Ethernetanschluss. Unterstützt Power over Ethernet. Die Verwendung von abgeschirmten Kabeln wird empfohlen.

Netzanschluss – 2-polige Anschlussleiste für Netzeingang.



⊥ 1 + 2

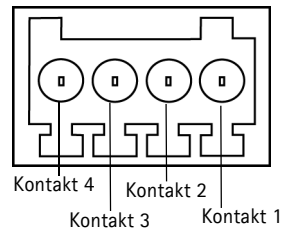
Funktion	Anschlussnummer	Bedeutung	
Masse (GND)	1	Masse	
Gleichstrom	2	Stromeingang 8-20 V Gleichstrom	AXIS P1355: max 7.1 W AXIS P1357: max 7.9 W

Audioeingang – 3,5-mm-Anschluss für ein Monomikrofon oder ein Monosignal (linker Kanal wird von einem Stereosignal benutzt).

Audio-Ausgang – Audioausgang (Leistungsstufe) zum Anschließen einer Rundrufanlage (PA) oder eines Aktivlautsprechers mit integriertem Verstärker. Auch ein Kopfhörer kann angeschlossen werden. Für den Audioausgang muss ein Stereostecker benutzt werden.

SDHC-Speicherkartensteckplatz – Eine Standard- oder eine SD-Speicherkarte mit hoher Kapazität (MicroSD) können für lokales Aufzeichnen als Wechselmedium verwendet werden.

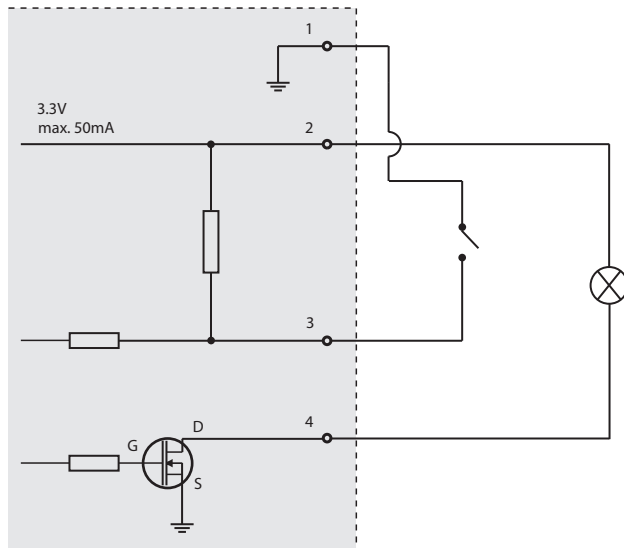
E/A-Anschluss – Wird z. B. für Bewegungserkennung und Ereignisauslösung, Zeitrafferaufnahmen und Alarmbenachrichtigungen verwendet. Zusätzlich zu den Anschlüssen für die Zusatzstromversorgung und Masse fungiert er als Schnittstelle für:



- 1 digitaler Ausgang: Zum Anschluss externer Geräte wie Relais und LEDs. Angeschlossene Geräte können über die VAPIX® Programmierschnittstelle (Application Programming Interface (API)), über die Schaltflächen für den Ausgang auf der Seite **Live-Ansicht (Live View)** oder durch einen **Ereignistyp** aktiviert werden. Der Ausgang wird als aktiviert (**Systemoptionen (System Options) > Ports & Geräte (Ports & Devices)**) angezeigt, wenn das Alarm meldende Gerät eingeschaltet ist.
- 1 digitaler Eingang: Alarmeingang für den Anschluss von Geräten, die zwischen geöffnetem und geschlossenem Schaltkreis wechseln können, z. B.: PIR's, Tür/Fensterkontakte, Glasbruchmelder, Detektoren, etc. Wenn ein Signal empfangen wird, ändert sich der **Status** und der Eingang wird aktiv (siehe **Systemoptionen (System Options) > Ports & Geräte (Ports & Devices)**).

Funktion	Kontakt	Hinweise	Spezifikationen
Masse (GND)	1	Masse	
3.3 V Gleichstrom	2	Kann für die Stromversorgung von Zusatzgeräten verwendet werden. Hinweis: Dieser Kontakt kann <u>nur</u> für die Stromversorgung verwendet werden.	Max. Stromstärke = 50 mA
Digital-Eingang	3	Zum Aktivieren mit der Masse (GND) verbinden; zum Deaktivieren nicht anschließen.	Min. Eingang = -40 V Gleichstrom Max. Eingang = +40 V Gleichstrom
Digital-Ausgang	4	Verwendet einen NFET-Transistor mit offener Ableitung, wobei die Quelle mit der Masse (GND) verbunden ist. Zum Schutz vor Spannungsspitzen muss bei der Kombination mit einem externen Relais eine Diode parallel zur Last geschaltet werden.	Max. Stromstärke = 100 mA Max. Spannung = 40 V DC

Das folgende Anschlussschaltbild zeigt ein Beispiel, wie Sie ein Zusatzgerät mit der Netzwerkkamera verbinden.



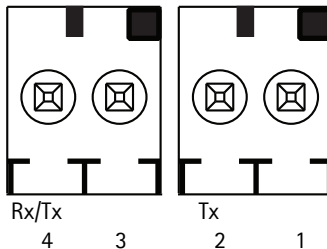
RS-485/422- – zweipolige Anschlussblöcke für serielle Schnittstellen vom Typ RS-485/422, verwendet zur Steuerung von Zusatzgeräten.

Der serielle RS-485/422-Anschluss kann in den folgenden Anschlussmodi konfiguriert werden:

- Bidirektionaler RS-485 Halbduplex-Anschluss für die Datenübertragung über zwei Leiter, ein kombiniertes RX/TX-Paar.
- Bidirektionaler RS-485-Vollduplex-Anschluss für die Datenübertragung über vier Leiter: ein RX-Paar und ein TX-Paar.
- Unidirektionaler RS-422-Anschluss für Datenübertragung oder -Empfang über zwei Leiter, RX- oder TX-Paar.
- Bidirektionaler RS-422-Vollduplex-Anschluss für die Datenübertragung (Punkt-zu-Punkt) über vier Leiter: ein RX-Paar und ein TX-Paar.

Funktion	Kontakt	Hinweise
RS -485/422TX(A)	1	TX-Paar für RS-422 und RS-485 mit 4 Leitern
RS -485/422TX(B)	2	
RS-485A alt RS-485/422RX(A)	3	RX-Paar für alle Modi (kombinierter RX/TX für RS-485 mit 2 Leitern)
RS-485B alt RS-485/422RX(B)	4	

DEUTSCH



LED-Anzeigen

LED	Farbe	Bedeutung
Netzwerk	Grün	Leuchtet dauerhaft bei Verbindung mit einem 100-MBit/s-Netzwerk. Blinkt bei Netzwerkaktivität.
	Gelb	Leuchtet dauerhaft bei Verbindung mit einem 10-MBit/s-Netzwerk. Blinkt bei Netzwerkaktivität.
	Leuchtet nicht	Keine Netzwerkverbindung vorhanden.
Status	Grün	Leuchtet bei Normalbetrieb konstant grün. Hinweis: Die Status-LED kann so konfiguriert werden, dass sie bei normalem Betrieb nicht leuchtet oder nur dann blinkt, wenn auf die Kamera zugegriffen wird. Diese Konfiguration können Sie unter Einrichtung (Setup) > Systemoptionen (System Options) > LED-Einstellungen vornehmen. Weitere Informationen hierzu finden Sie in der Online-Hilfe.
	Gelb	Leuchtet konstant beim Einschalten und beim Wiederherstellen der Werkseinstellungen bzw. von vorherigen Einstellungen.
	Rot	Blinkt langsam bei Aktualisierungsfehler.
Netzspannung	Grün	Normaler Betrieb.
	Gelb	Blinkt während der Firmware-Aktualisierung grün/gelb.

Status-LED bei Verwendung des Fokus-Assistenten

Status-LED	Farbe	Bedeutung
	Grün	Schritt 4: Fokus-Assistent ist aktiviert Schritt 6: Das Objektiv ist optimal eingestellt
	Gelb	Schritt 4: Die Kamera wurde bewegt, oder vor dem Objektiv wurde ein Gegenstand platziert. Beenden Sie den Fokus-Assistenten und starten Sie ihn neu. Schritt 6: Das Objektiv ist nicht optimal eingestellt
	Rot	Schritt 4: Die Kamera wurde bewegt, oder vor dem Objektiv wurde ein Gegenstand platziert. Beenden Sie den Fokus-Assistenten und starten Sie ihn neu. Schritt 6: Das Objektiv ist unzureichend eingestellt

Wiederherstellen der werkseitigen Standardeinstellungen

Gehen Sie wie folgt vor, um sämtliche Parameter einschließlich der IP-Adresse und der Fokusposition auf die werkseitigen Standardeinstellungen zurückzusetzen:

1. Trennen Sie die Kamera von der Stromversorgung.
2. Halten Sie die Steuertaste gedrückt und schließen Sie den Netzstecker wieder an.
3. Halten Sie die Steuertaste so lange gedrückt, bis die Statusanzeige gelb aufleuchtet (dies kann bis zu 30 Sekunden dauern).
4. Lassen Sie die Steuertaste los. Sobald die Statusanzeige grün leuchtet (dies kann bis zu einer Minute dauern), ist die Netzwerk-Kamera auf die werkseitigen Standardeinstellungen zurückgesetzt.
5. Legen Sie die IP-Adresse erneut fest, indem Sie eines der in der Dokumentation auf der CD-ROM beschriebenen Verfahren anwenden.
6. Führen Sie die Fokussierung der Kamera erneut durch. Wenden Sie dabei eine der in diesem Handbuch beschriebenen Methoden an.

Die Parameter können auch über die Weboberfläche auf die werksseitigen Standardeinstellungen zurückgesetzt werden. Weitere Informationen dazu finden Sie in der Online-Hilfe und im Benutzerhandbuch.

Weitere Informationen

Das Benutzerhandbuch kann auf der Axis Website unter www.axis.com abgerufen werden.

Unter www.axis.com/techsup finden Sie Firmware-Aktualisierungen für Ihre Netzwerkprodukte. Informationen zur aktuellen Firmware-Version finden Sie unter Einrichtung (Setup) > Info.

Im Axis Lernzentrum unter www.axis.com/academy finden Sie hilfreiche Schulungen, Webinare, Lernprogramme und Anleitungen.

Garantie

Für weitere Informationen zu der Axis-Produkt-Garantie und zu verwandten Themen, finden Sie unter www.axis.com/warranty

Sicurezza

Leggere attentamente questa Guida all'installazione prima di installare un prodotto Axis. Conservare la Guida all'installazione per ulteriori riferimenti.

AVVISO

- Conservare il prodotto Axis in un ambiente asciutto e ben ventilato.
- Evitare di esporre il prodotto Axis alle vibrazioni, agli urti o a forte pressione. Non installare il prodotto su staffe instabili, superfici o pareti instabili o vibranti, poiché ciò potrebbe danneggiare il prodotto.
- Utilizzare solo strumenti idonei quando si installa il prodotto Axis. Una forza eccessiva potrebbe danneggiare il prodotto.
- Non utilizzare sostanze chimiche, agenti caustici o detergenti spray. Utilizzare un panno umido per la pulizia.
- Utilizzare solo accessori conformi alle specifiche tecniche del prodotto. Queste possono essere fornite da Axis o da terze parti.
- Utilizzare solo parti di ricambio fornite o raccomandate da Axis.
- Non tentare di riparare il prodotto da soli, contattare Axis o il rivenditore di zona Axis per assistenza.

Importante

- Questo prodotto Axis deve essere utilizzato in conformità alle leggi e alle disposizioni locali.
- Per utilizzare questo prodotto Axis all'esterno, è necessario installarlo in un alloggiamento per esterni approvato.
- Il prodotto Axis deve essere installato da un tecnico qualificato. Osservare le disposizioni nazionali e locali per l'installazione.

Trasporto

AVVISO

- Quando si trasporta il prodotto Axis, utilizzare l'imballo originale o un imballo equivalente per evitare di danneggiare il prodotto.

Sostituzione della batteria

Questo prodotto Axis utilizza una batteria al litio CR2032 da 3.0 V per alimentare il real-time clock (RTC) interno. In normali condizioni questa batteria ha una durata di almeno 5 anni. La batteria scarica influisce sul funzionamento dell'RTC, che viene reimpostato ad ogni accensione. Un messaggio di registro apparirà quando la batteria dovrà essere sostituita. La batteria non deve essere sostituita a meno che non sia necessario.

Se la batteria deve essere sostituita, contattare www.axis.com/techsup per assistenza.

⚠ AVVERTENZA

- Smaltire le batterie usate secondo le istruzioni del produttore.

AVVISO

- Rischio di esplosione se la batteria non viene sostituita correttamente.
- Sostituire solo con una batteria identica o equivalente, come raccomandato dal produttore.

AXIS P1355, AXIS P1357 – Guida di installazione

Nel presente documento vengono fornite le istruzioni per installare una AXIS P1355/P1357 Telecamera di rete nella propria rete. Per ulteriori informazioni sull'utilizzo del prodotto, consultare la Guida per l'utente disponibile all'indirizzo www.axis.com

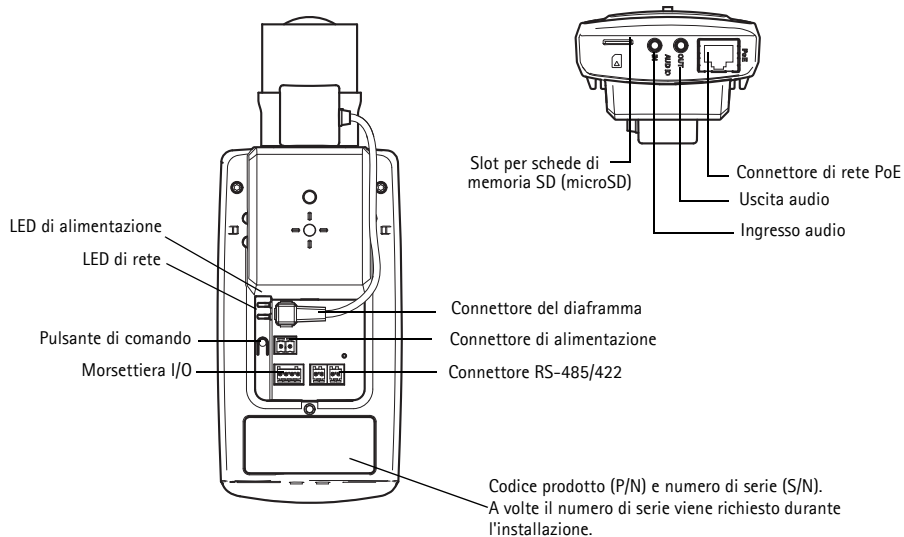
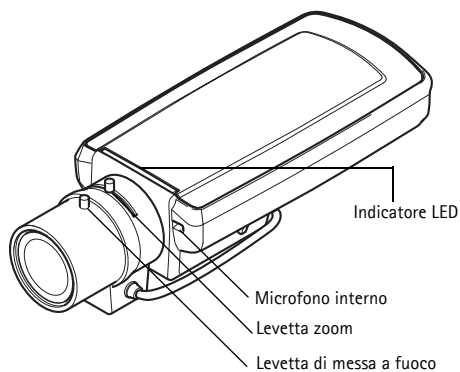
Procedura di installazione

1. Controllare il contenuto della confezione con l'elenco che segue.
2. Panoramica dell'hardware. Vedere pagina 46.
3. Installazione dell'hardware. Vedere pagina 47.
4. Accesso al flusso video. Vedere pagina 47
5. Regolazione dello zoom e della messa a fuoco. Vedere pagina 48

1 Contenuto della confezione

Elemento	Modelli/varianti/note
Telecamera di rete	AXIS P1355, AXIS P1357
Connettore di alimentazione	Blocco connettore a 2 pin per fornire alimentazione alla telecamera da una fonte di alimentazione CC (solo per variante da interni)
Connettore della morsettiera	Blocco connettore a 4 pin per collegare dispositivi esterni al connettore morsettiera connettore 2x connettore terminale a 2 pin STR 2,5 mm BP AB
Cavalletto	Cavalletto monoblocco
CD	CD d'installazione e gestione
Documentazione cartacea	AXIS P1355/P1357 Guida all'installazione (questo documento) Sagoma per la foratura Etichette supplementari con numeri di serie (2x) Chiave di autenticazione AVHS
Accessori opzionali	Andare su www.axis.com per informazioni su accessori di alimentazione e alloggiamenti per esterni

2 Panoramica dell'hardware



Dimensioni

Modello	A x L x P	Peso
AXIS P1355	46 x 78 x 205 mm	600 g
AXIS P1357	46 x 78 x 205 mm	600 g

3 Installazione dell'hardware

- !** ATTENZIONE! - AXIS P1355/P1357 sono progettate per l'utilizzo sia in ambienti interni che esterni. Per utilizzare la telecamera all'esterno, deve essere installata in un alloggiamento approvato. Andare su www.axis.com per ulteriori informazioni su alloggiamenti da esterni.

Collegamento dei cavi

1. Se necessario, collegare gli altri dispositivi esterni, come i sistemi di allarme. Vedere pagina 51 per informazioni sui pin della morsettiera di alimentazione.
2. Se necessario, collegare l'altoparlante attivo e/o il microfono esterno.
3. Collegare la telecamera alla rete tramite un cavo di rete schermato.
4. Collegare l'alimentatore applicando uno dei seguenti metodi:
 - PoE (Power over Ethernet). PoE è rilevato automaticamente quando si collega il cavo di rete.
 - Collegare un adattatore di alimentazione esterno alla basetta di alimentazione; consultando la sezione *Connettori Unità*, a pagina 51 per informazioni sui collegamenti.
5. Verificare che i LED indichino le condizioni di funzionamento corrette. Per ulteriori dettagli, vedere la tabella a pagina 54. Notare che si può configurare il LED di stato ad essere spento durante l'uso normale.

4 Accesso al Flusso Video

Utilizzare l'utility contenuta nel CD del software d'installazione e gestione per assegnare un indirizzo IP, impostare la password ed accedere al flusso video. Queste informazioni sono disponibili anche sulle pagine dedicate all'assistenza sul sito www.axis.com/techsup

5 Regolare lo zoom e la messa a fuoco

Per regolare lo zoom e la messa a fuoco, attenersi alla seguente procedura:

1. Aprire la pagina iniziale del prodotto e selezionare **Setup (Impostazioni) > Basic Setup (Impostazioni di base) > Focus (Messa a fuoco)**.
2. Nella scheda **Basic (di base)**, fare clic su **Open iris (Aprire diaframma)**. Se il pulsante è inattivo, significa che il diaframma è già aperto.
3. Se la messa a fuoco è stata impostata in precedenza, fare clic su **Reset (Reimposta)** per reimpostare la posizione di partenza.
4. Allentare le levette di regolazione dello zoom e della messa a fuoco sull'obiettivo ruotandole in senso antiorario. Spostare le levette per impostare lo zoom e la messa a fuoco, quindi controllare la qualità dell'immagine nella finestra corrispondente.

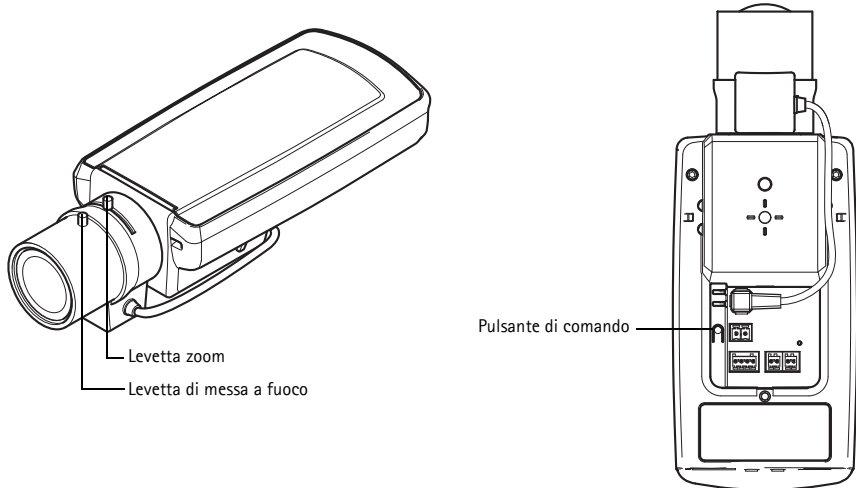
Nota: Se la telecamera è montata in una posizione che non consente di controllare l'immagine e di spostare contemporaneamente le levette, usare il Focus Assistant. Vedere la pagina 49.

5. Serrare nuovamente le levette di regolazione dello zoom e della messa a fuoco.
6. Nella pagina della messa a fuoco, fare clic su **Fine-tune focus automatically (affinamento automatico della messa a fuoco)** e aspettare fino alla regolazione fine automatica sia stata completata.
7. Fare clic su **Enable iris (abilita diaframma)**. Se il pulsante è inattivo, significa che il diaframma è già abilitato.
8. Se necessario, apportare ulteriori regolazioni nella scheda **Advanced(Avanzate)**. Per ulteriori informazioni, consultare la Guida in linea o la Guida per l'utente.

Note:

- È consigliabile regolare il più accuratamente possibile la messa a fuoco tramite l'apposita levetta o Focus Assistant prima di avviare l'affinamento. Generalmente i risultati migliori si ottengono utilizzando la levetta di regolazione della messa a fuoco.

- Il diaframma deve sempre essere aperto al massimo durante la regolazione della messa a fuoco, poiché questa condizione riduce al minimo la profondità di campo e offre le migliori condizioni per una corretta messa a fuoco.



Focus Assistant (Messa a fuoco assistita)

Per mettere a fuoco utilizzando la messa fuoco assistita, seguire le istruzioni dei passaggi 1 - 3 a pagina 48 prima di iniziare la seguente procedura.

1. Montare o posizionare la telecamera in modo che non possa essere spostata.
2. Allentare la levetta di regolazione dello zoom ruotandola in senso antiorario. Spostare la levetta per impostare il livello di zoom. Serrare nuovamente la levetta di regolazione dello zoom.
3. Impostare la telecamera nella posizione corrispondente alla massima distanza di messa a fuoco allentando la levetta di regolazione di messa a fuoco e ruotando l'obiettivo in senso orario fino in fondo.
4. Premere e rilasciare velocemente il pulsante di comando. Se il LED di stato inizia a lampeggiare in verde, significa che Focus Assistant è abilitato. Se il LED di stato lampeggia in rosso o giallo prima che si sia riusciti a regolare l'obiettivo, passare al punto 7 per uscire da Focus Assistant e ripetere le operazioni descritte nei punti da 3 a 7. Per ulteriori informazioni, vedere le note che seguono.
5. Ruotare delicatamente la levetta di messa a fuoco in senso antiorario fino all'arresto.
6. Infine, ruotare la levetta di messa a fuoco lentamente in senso orario fino a quando l'indicatore di stato lampeggia in verde o giallo (non in rosso).
7. Per uscire da Focus Assistant, premere nuovamente il pulsante di comando.

Nota: Focus Assistant si disattiva automaticamente dopo 15 minuti.

8. Serrare nuovamente la levetta di regolazione della messa a fuoco.
9. Aprire la pagina **Live View (Vista dal Vivo)** nel browser e controllare la qualità dell'immagine.
10. Continuare con i passaggi 6 - 8 a pagina 48.

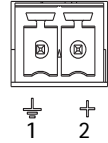
Note:

- Verificare che la scena davanti alla telecamera non cambi durante la regolazione della messa a fuoco (punti 5 e 6). Se si sposta la telecamera o si colloca un dito o un altro oggetto davanti all'obiettivo, sarà necessario ripetere le operazioni descritte nei punti da 3 a 7.
- Se non è possibile evitare movimenti davanti alla telecamera, non utilizzare Focus Assistant.
- Se non si rilascia il pulsante di comando entro due secondi, viene abilitata la funzione AXIS Dynamic DNS Service (Servizio DNS dinamico) anziché Focus Assistant.
- È possibile utilizzare Focus Assistant anche se la posizione di installazione della telecamera non consente l'accesso al pulsante di comando. Seguire le istruzioni seguenti, ma montare la telecamera dopo il passaggio 4 (tenendo premuto il pulsante di comando) e saltare il passaggio 7.

Connettori Unità

Connettore di rete – Connettore Ethernet RJ-45. Supporto per Power over Ethernet. Si consiglia l'uso di cavi schermati.

Connettore di alimentazione – Morsettiera di alimentazione a 2 pin utilizzata per l'ingresso dell'alimentazione.



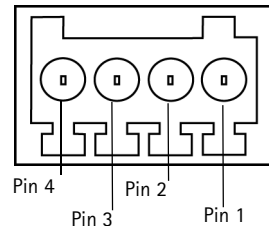
Funzione	Numero pin	Descrizione	
GND	1	Terra	
Alimentazione CC	2	Ingresso alimentazione, 8-20 V CC	AXIS P1355: max 7.1 W AXIS P1357: max 7.9 W

Ingresso audio – Ingresso da 3.5 mm per microfono in mono o segnale mono line-in (il canale sinistro è usato da un segnale in stereo).

Uscita audio – Uscita audio che può essere connessa a un sistema di indirizzo pubblico (PA), oppure a un altoparlante con amplificatore integrato. È possibile anche collegare un paio di cuffie. Per l'uscita audio è necessario usare un connettore stereo.

Slot per schede di memoria SDHC – Una Scheda di memoria SD standard o ad alta capacità può essere usata per la registrazione in modalità locale con unità di archiviazione rimovibile.

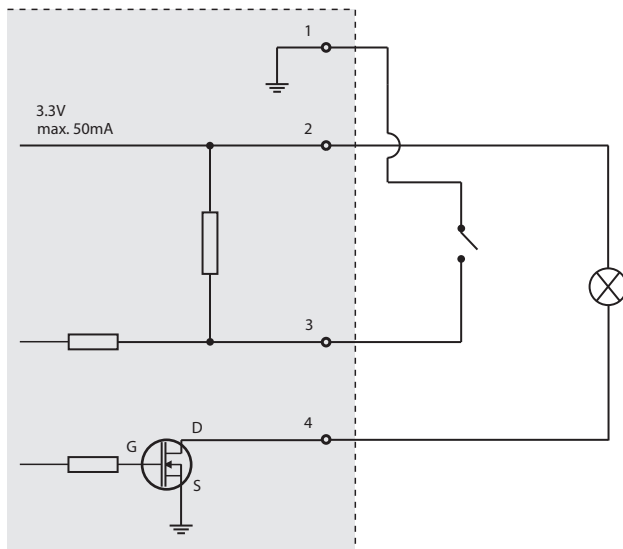
Connettore del morsetto I/O – Usato per applicazioni specifiche, come Motion Detection, l'attivazione di eventi, la registrazione temporizzata e le notifiche di allarme. Oltre a fornire alimentazione ausiliaria e pin di messa a terra, può essere usato come interfaccia per:



- 1 uscita digitale – Per collegare dispositivi esterni come relè o LED. Le periferiche collegate possono essere attivate tramite Application Programming Interface (API), tramite i pulsanti di comando della pagina Live View (Immagini dal vivo) oppure tramite l'opzione **Event Type** (Tipo di evento). L'uscita verrà visualizzata come attiva (visualizzata in **System Options (Opzioni di Sistema) > Ports & Devices (Porte & Dispositivi)**) se il dispositivo di allarme è attivato.
- 1 ingresso digitale – Ingresso dell'allarme per collegare le unità che può passare dal circuito chiuso al circuito aperto, ad esempio: Sensori di movimento (PIR), contatti porta/finestra, rilevatori di rottura vetri, Dopo la ricezione del segnale lo stato cambia e l'ingresso diventa attivo (visualizzato in **System Options (Opzioni di Sistema) > Ports & Devices (Porte & Dispositivi)**).

Funzione	Pin	Note	Specifiche
GND	1	Terra	
Alimentazione a 3.3 V CC	2	Utilizzabile per alimentare ulteriori apparecchiature. Nota: Questo pin può essere usato <u>solo</u> come uscita alimentazione.	Carico max. = 50 mA
Ingresso digitale	3	Collegare a terra (GND) per attivarlo oppure lasciarlo isolato (o scollegato) per disattivarlo.	Ingresso min = -40 V CC Ingresso max = +40 V CC
Ingresso digitale	4	Utilizza un transistor NFET open-drain con connessione del source a terra. Se utilizzato con un relè esterno, è necessario collegare un diodo in parallelo al carico per proteggere il dispositivo da transitori di tensione.	Carico massimo = 100 mA Tensione massima = + 40 V CC

Il seguente diagramma delle connessioni fornisce un esempio su come collegare un dispositivo ausiliare alla telecamera di rete.

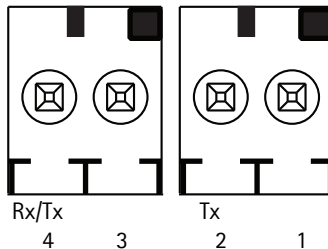


RS-485/422 – Due morsettiere da 2 pin per l'interfaccia seriale RS-485/422, utilizzate per il controllo di periferiche ausiliarie.

La porta seriale RS-485/422 può essere configurata su una delle seguenti modalità:

- Porta bidirezionale RS-485 half-duplex per la trasmissione di dati con due cavi e una coppia RX/TX combinata.
- Porta bidirezionale RS-485 half-duplex per la trasmissione di dati con quattro cavi, una coppia RX e una coppia TX.
- Porta unidirezionale RS-422 per la trasmissione e la ricezione di dati con due cavi, coppia RX o TX.
- Porta bidirezionale RS-422 half-duplex per la trasmissione di dati (point-to-point) con quattro cavi, una coppia RX e una coppia TX.

Funzione	Pin	Note
RS -485/422TX(A)	1	Coppia TX per RS-422 e RS-485 con quattro cavi
RS -485/422TX(B)	2	
RS-485A alt RS-485/422RX(A)	3	Coppia RX per tutte le modalità (RX/TX combinata per RS-485 con due cavi)
RS-485B alt RS-485/422RX(B)	4	



Indicatori LED

Colore	Colore	Indicazione
Connettore	Verde	Luce fissa: connessione di rete a 100 Mbit/s. Luce lampeggiante: attività di rete.
	Giallo	Luce fissa: connessione di rete a 10 Mbit/s. Luce lampeggiante: attività di rete.
	Spento	Assenza di connessione.
LED di stato	Verde	Luce verde fissa: condizioni di normale utilizzo. Nota: È possibile configurare il LED di stato in modo che rimanga spento in condizioni di normale utilizzo oppure in modo da ottenere una luce intermittente quando si effettua l'accesso alla telecamera. Per configurarlo, selezionare Setup (Configurazione) > System Options (Opzioni di sistema) > Impostazioni LED . Per ulteriori informazioni, consultare la Guida in linea.
	Giallo	Luce fissa: durante l'avvio o il ripristino delle impostazioni predefinite o della configurazione.
	Rosso	Luce lampeggiante lenta: aggiornamento non riuscito.
Connettore	Verde	Normale utilizzo.
	Giallo	Luce lampeggiante verde/gialla: aggiornamento firmware.

LED di stato durante l'uso di Focus Assistant

LED di stato	Colore	Indicazione
LED di stato	Verde	Passaggio 4: Focus Assistant abilitato. Passaggio 6: Obiettivo regolato in modo ottimale
	Giallo	Passaggio 4: Telecamera spostata oppure movimento di un oggetto davanti all'obiettivo. Uscire e riavviare Focus Assistant. Passaggio 6: Obiettivo regolato in modo non ottimale
	Rosso	Passaggio 4: Telecamera spostata oppure movimento di un oggetto davanti all'obiettivo. Uscire e riavviare Focus Assistant. Passaggio 6: Obiettivo regolato in modo improprio

Ripristino delle impostazioni predefinite

Questa procedura consentirà di ripristinare le impostazioni di fabbrica per tutti i parametri, incluso l'indirizzo IP e la posizione di messa a fuoco:

1. Scollegare l'alimentazione dalla telecamera.
2. Tenere premuto il pulsante Control e ricollegare il cavo di alimentazione.
3. Tenere premuto il pulsante di comando fino a quando l'indicatore di stato non inizia a lampeggiare in giallo (l'operazione può richiedere fino a 30 secondi).
4. Rilasciare il pulsante di comando. Quando l'indicatore di stato diventa verde (l'operazione può richiedere fino a 1 minuto) la procedura è completata e sono state ripristinate le impostazioni predefinite per la telecamera di rete.
5. Riassegnare l'indirizzo IP utilizzando uno dei metodi descritti nella documentazione disponibile sul CD.
6. Regolare nuovamente la messa a fuoco della telecamera utilizzando uno dei metodi descritti in questo documento.

È possibile inoltre reimpostare i parametri alle impostazioni predefinite in fabbrica mediante l'interfaccia web. Per ulteriori informazioni, consultare la Guida in linea o la Guida per l'utente.

Ulteriori Informazioni

La Guida per l'utente è disponibile sul sito web di Axis all'indirizzo www.axis.com

Visitare il sito di Axis all'indirizzo www.axis.com/techsup per verificare se sono stati pubblicati aggiornamenti del firmware per il proprio prodotto di rete. Per conoscere la versione del firmware installata, vedere > About (Informazioni su).

Per utili corsi di formazione, webinar, tutorial e guide, visitare il centro di apprendimento di Axis all'indirizzo www.axis.com/academy.

Garanzia

Per informazioni sulla garanzia del prodotto Axis e informazioni ad essa relative, consultare la pagina www.axis.com/warranty

Medidas preventivas

Lea detenidamente esta Guía de instalación antes de instalar el producto Axis. Guarde la Guía de instalación para poder consultarla en el futuro.

AVISO

- Guarde el producto Axis en un entorno seco y ventilado.
- Evite exponer el producto Axis a vibraciones, golpes o presiones excesivas. No instale el producto en soportes inestables ni en superficies o paredes inestables o con vibraciones, ya que esto podría dañarlo.
- Utilice solo las herramientas apropiadas para instalar el producto Axis; una fuerza excesiva podría dañarlo.
- No utilice productos químicos, agentes cáusticos ni limpiadores en aerosol. Límpielo con un paño húmedo.
- Utilice solo accesorios que cumplan las especificaciones técnicas del producto. Puede obtenerlos de Axis o de un tercero.
- Utilice solo piezas de recambio suministradas o recomendadas por Axis.
- No intente reparar el producto usted mismo, póngase en contacto con Axis o con el distribuidor de Axis para los temas de servicio técnico.

Importante

- Este producto Axis se utilizará de conformidad con la legislación y normativas locales.
- Para utilizar este producto Axis en exteriores, se instalará en una carcasa protectora para exteriores aprobada.
- La instalación del producto Axis debe realizarla un profesional cualificado. Siga las normativas nacionales y locales aplicables para la instalación.

Transporte

AVISO

- A la hora de transportar el producto Axis, utilice el embalaje original o uno equivalente para no dañar el producto.

Sustitución de la batería

Este producto Axis utiliza una batería de litio CR2032 3.0 de 3,0 V como fuente de alimentación para su reloj de tiempo real interno (RTC). En condiciones normales, esta batería durará un mínimo de 5 años. Cuando la batería tiene poca carga, el funcionamiento del RTC se puede ver afectado, ya que esto puede hacer que se reinicie cada vez que se encienda. Aparecerá un mensaje de registro cuando sea necesario sustituir la batería. No se debe sustituir la batería a menos que sea necesario.

Si necesita sustituir la batería, visite la página www.axis.com/techsup para recibir asistencia.

⚠ ADVERTENCIA

- Deseche las baterías usadas según las instrucciones del fabricante.

AVISO

- Existe peligro de explosión si la batería se sustituye de forma incorrecta.
- Utilice solo baterías de recambio iguales o equivalentes, de acuerdo con las recomendaciones del fabricante.

Guía de instalación

AXIS P1355, AXIS P1357

En esta guía se proporcionan instrucciones para instalar una Cámara de red AXIS P1355/P1357 en su red. Para cualquier otra cuestión relativa al uso del producto, consulte el Manual del usuario, disponible en www.axis.com.

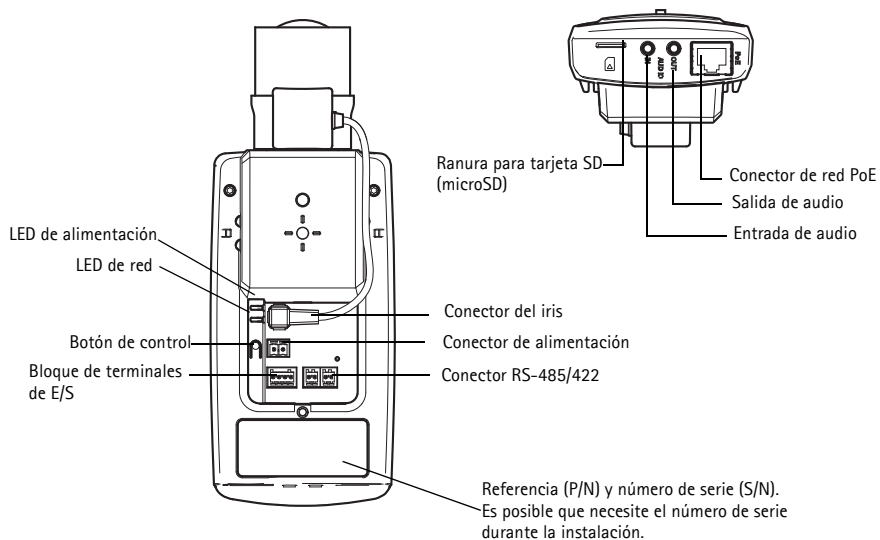
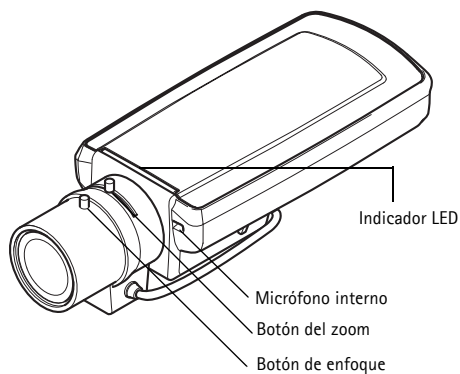
Pasos para la instalación

1. Verifique el contenido del paquete cotejándolo con la lista que aparece más abajo.
2. Presentación del hardware. Véase la página 60.
3. Instalación del hardware. Véase la página 61.
4. Acceso a la transmisión de vídeo. Consulte la página 61.
5. Ajuste del zoom y el enfoque. Consulte la página 62.

1 Contenido del paquete

Artículo	Modelos/variantes/notas
Cámara de red	AXIS P1355, AXIS P1357
Conector del bloque de alimentación	Bloque de conectores de 2 pines para proporcionar alimentación a la cámara desde una fuente de alimentación CC (solo en la variante de interiores)
Conector del bloque de terminales	Bloque de conectores de 4 pines para conectar dispositivos externos al conector de terminales de E/S 2 conectores de terminales de 2 pines STR de 2,5 mm BP AB
Soporte de cámara	Soporte de cámara de una pieza
CD	CD del software de instalación y gestión
Material impreso	Guía de instalación de la AXIS P1355/P1357 (este documento) Plantilla de taladrado Etiquetas adicionales con el número de serie (2) Clave de autenticación AVHS
Accesorios opcionales	Consulte nuestro sitio web www.axis.com para obtener información sobre accesorios para alimentación y carcasas para exteriores.

2 Presentación del hardware



Dimensiones

Modelo	Alt. x Anch. x Prof.	Peso
AXIS P1355	46 x 78 x 205 mm (1.8" x 3.1" x 8.1")	600 g (1,32 lb)
AXIS P1357	46 x 78 x 205 mm (1.8" x 3.1" x 8.1")	600 g (1,32 lb)

3 Instalación del hardware

- ¡**¡IMPORTANTE!** - La AXIS P1355/P1357 está destinada al uso en interiores y exteriores. Para utilizar la cámara en exteriores, debe instalarse en una carcasa protectora para exteriores autorizada. Para obtener más información sobre carcasas para exteriores, consulte el sitio web www.axis.com.

Conexión de los cables

- Si fuese necesario, conecte dispositivos externos de entrada/salida, tales como dispositivos de alarma. Consulte la página 65 para obtener información sobre los pines de conectores de terminales.
- En caso de necesidad, conecte un altavoz activo y/o micrófono externo.
- Conecte la cámara a la red con un cable de red blindado.
- Conecte la alimentación utilizando uno de los métodos especificados en la lista que aparece a continuación:
 - PoE (alimentación a través de Ethernet). PoE se detectará automáticamente al conectar el cable de red.
 - Conecte un adaptador de alimentación externa al bloque de conectores; consulte *Conectores*, en la página 65 para obtener información sobre la conexión.
- Compruebe que los indicadores LED indican las condiciones adecuadas. Para obtener información más detallada, consulte la tabla de la página 68. Tenga en cuenta que el LED de estado se puede configurar para que esté apagado durante el funcionamiento normal.

4 Acceso a la transmisión de vídeo

Utilice las herramientas suministradas en el CD del software de instalación y gestión para asignar una dirección IP, establecer la contraseña y acceder a la transmisión de vídeo. Esta información también está disponible en las páginas de asistencia técnica en www.axis.com/techsup

5 Ajuste del zoom y el enfoque

Para ajustar el zoom y el enfoque, siga estas instrucciones:

1. Abra la página de inicio del producto y diríjase a **Setup (Configuración)** > **Basic Setup (Configuración básica)** > **Focus (Enfoque)**.
2. En la ficha **Basic (Básica)**, haga clic en **Open iris (Abrir iris)**. Si el botón no está activo, el iris ya está abierto.
3. Si el enfoque se ha ajustado anteriormente, haga clic en **Reset (Restablecer)** para restablecer el enfoque posterior.
4. Afloje los botones del zoom y de enfoque del objetivo girándolos en sentido contrario a las agujas del reloj. Mueva los botones para ajustar el zoom y el enfoque y compruebe la calidad de la imagen en la ventana de imagen.

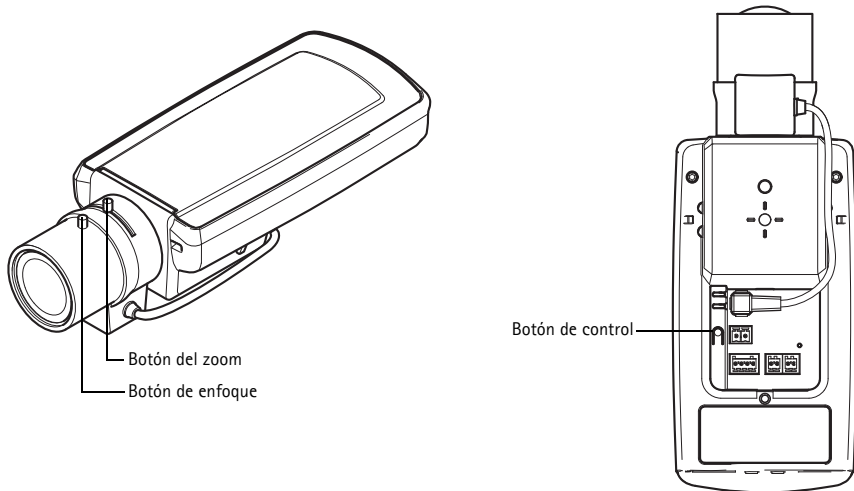
Nota: Si la cámara está montada de forma que no se puede ver la imagen y mover los botones al mismo tiempo, utilice en su lugar el Asistente de enfoque. Véase la página 63.

5. Apriete de nuevo los botones del zoom y de enfoque.
6. En la página **Focus (Enfoque)**, haga clic en **Fine-tune focus automatically (Ajustar enfoque automáticamente)** y espere hasta que finalice el proceso de ajuste automático.
7. Haga clic en **Enable iris (Habilitar iris)**. Si el botón no está activo, el iris ya estará habilitado.
8. Si es necesario, realice ajustes adicionales en la ficha **Advanced (Avanzada)**. Para obtener más información, consulte la ayuda en línea o el Manual del usuario.

Notas:

- Ajuste el enfoque de la forma más precisa posible con el botón de enfoque o el Focus Assistant (Asistente de enfoque) antes de iniciar el proceso de ajuste automático. Normalmente, se obtienen los mejores resultados si se utiliza el botón de enfoque.

- El iris se debe abrir siempre al máximo durante el enfoque, proporcionando la menor profundidad de campo posible y, por tanto, las mejores condiciones para un enfoque correcto.



Asistente de enfoque

Para enfocar mediante el Asistente de enfoque, siga las instrucciones de los pasos 1 al 3 en la página 62 antes de empezar con los pasos siguientes.

1. Instale o coloque la cámara de forma que no pueda moverse.
2. Afloje el botón del zoom girándolo en sentido contrario a las agujas del reloj. Mueva el botón para ajustar el nivel de zoom. Apriete de nuevo el botón del zoom.
3. Ajuste la cámara en su posición de enfoque más lejana aflojando el botón de enfoque y girando completamente el anillo de enfoque en el sentido de las agujas del reloj.
4. Pulse y suelte rápidamente el botón de control. Cuando el LED de estado parpadea en verde, el Asistente de enfoque está habilitado. Si el LED de estado parpadea en rojo o ámbar antes de poder ajustar el objetivo, vaya al paso 7 para salir del Asistente de enfoque y repita los pasos 3 a 7. Véanse las notas siguientes.
5. Gire suavemente el anillo de enfoque en el sentido contrario a las agujas del reloj hasta que se detenga.
6. Por último, gire lentamente el anillo de enfoque en el sentido de las agujas del reloj hasta que el indicador de estado parpadee en verde o en ámbar (no en rojo).
7. Para salir del Asistente de enfoque, vuelva a pulsar el botón de control.

Nota: El Asistente de enfoque se apaga automáticamente tras 15 minutos.

8. Apriete de nuevo el botón de enfoque.
9. Abra la página **Live View (En vivo)** en su navegador web y compruebe la calidad de la imagen.

10. Continúe con los pasos 6 - 8 en la página 62.

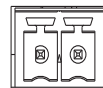
Notas:

- La vista de la parte frontal de la cámara no debe cambiar durante el ajuste de enfoque (pasos 5 y 6). Si se mueve la cámara o si se coloca un dedo u otro objeto delante del objetivo, tendrán que repetirse los pasos 3 al 7.
- Si no se pueden evitar movimientos en la parte frontal de la cámara, no se debe usar el Asistente de enfoque.
- Si no se suelta el botón de control al cabo de dos segundos, se habilita el Servicio de DNS dinámico de AXIS en lugar del Asistente de enfoque.
- Si la cámara está montada de manera que no se puede acceder al botón de control, podrá seguir utilizando el Asistente de enfoque. Siga las instrucciones indicadas anteriormente, pero en esta ocasión, monte la cámara tras el paso 4 (pulsar el botón de control) y omita el paso 7.

Conectores

Conector de red – Conector Ethernet RJ-45. Compatible con alimentación a través de Ethernet. Se recomienda emplear cables blindados.

Conector de alimentación – Bloque de conectores de 2 pines para entrada de alimentación.



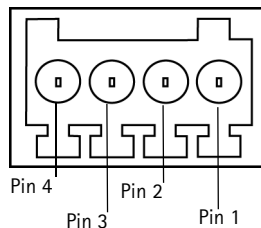
Función	Número de pines	Descripción	
Masa	1	Masa	
Alimentación de CC	2	Entrada de alimentación de 8-20 V CC	AXIS P1355: máx 7,1 W AXIS P1357: máx 7,9 W

Entrada de audio – Conector de 3,5 mm para micrófono mono o entrada de línea de señal mono (se usa el canal izquierdo de una señal estéreo).

Salida de audio – Salida de audio (nivel de línea) que se puede conectar a un sistema de megafonía pública o a un altavoz con amplificador incorporado. También pueden conectarse unos auriculares. Debe utilizarse un conector estéreo.

Ranura para tarjeta de memoria SDHC: Se pueden usar tarjetas de memoria SD (micro SD) de capacidad alta o estándar para grabación local con almacenamiento extraíble.

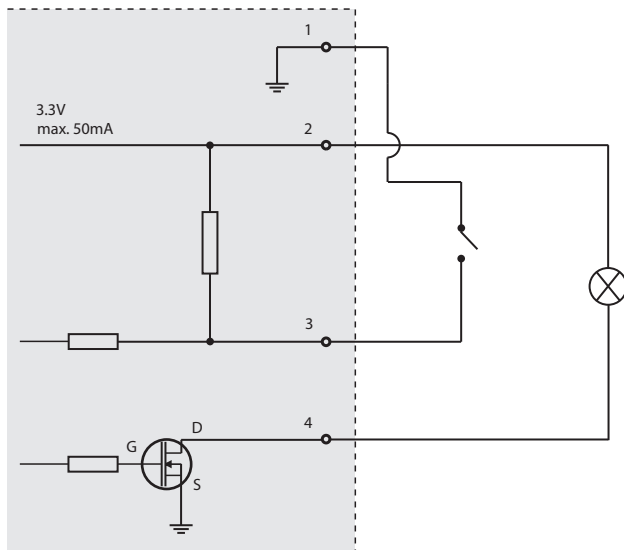
Conector de terminales de E/S – Se utiliza en aplicaciones tales como detección de movimiento, activación de eventos, grabación a intervalos y notificaciones de alarmas. Además de un pin de alimentación auxiliar y un pin de masa, proporciona a la interfaz la conexión de:



- 1 salida digital: para conectar dispositivos externos como relés e indicadores LED. Se pueden activar dispositivos conectados mediante la interfaz VAPIX® de programación de aplicaciones (API, por sus siglas en inglés), los botones de salida de la página Live View (En vivo) o mediante un Event Type (Tipo de evento). La salida se mostrará activa en System Options (Opciones del sistema) > Ports Et Devices (Puertos y dispositivos) si el dispositivo de alarma está activado.
- 1 entrada digital: una entrada de alarma para conectar dispositivos que puedan alternar circuitos cerrados y abiertos, como PIR, contactos de puertas y ventanas y detectores de rotura de cristales, etc. Cuando se recibe una señal, el estado cambia y la entrada se vuelve activa, indicado en System Options (Opciones del sistema) > Ports Et Devices (Puertos y dispositivos).

Función	Pines	Notas	Especificaciones
Masa	1	Masa	
Alimentación de 3.3 V CC	2	Se puede utilizar para alimentar equipos auxiliares. Nota: Este pin <u>solo</u> se puede usar como salida de alimentación.	Carga máx.= 50 mA
Entrada digital	3	Conecte a masa para activarla o déjela suelta (desconectada) para desactivarla.	Entrada mín. = -40 V CC Entrada máx. = +40 V CC
Entrada digital	4	Utiliza un transistor NFET de drenaje abierto con la fuente conectada a GND (masa). Si se utiliza con un relé externo, debe conectarse un diodo en paralelo a la carga como protección ante oscilaciones de tensión.	Carga máx.= 100 mA Voltaje máx. = + 40 V CC

El diagrama de conexiones siguiente ofrece un ejemplo de cómo conectar un dispositivo auxiliar a la cámara de red.

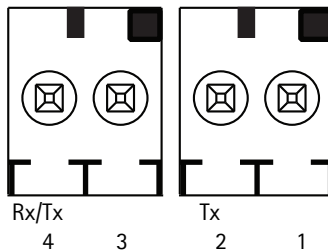


RS-485/422 – Dos bloques de terminales de 2 pines para la interfaz serie RS-485/422 utilizada para controlar equipos auxiliares.

El puerto serie RS-485/422 se puede configurar en los modos de puerto siguientes:

- Puerto semidúplex RS-485 bidireccional para transmisión de datos mediante dos hilos, un par RX/TX combinado.
- Puerto dúplex completo RS-485 bidireccional para transmisión de datos mediante cuatro hilos, un par RX y un par TX.
- Puerto RS-422 unidireccional para transmisión o recepción de datos mediante dos hilos, par RX o TX.
- Puerto dúplex completo RS-422 bidireccional para transmisión de datos (punto a punto) mediante cuatro hilos, un par RX y un par TX.

Función	Pines	Notas
RS -485/422TX(A)	1	Par TX para RS-422 y RS-485 de 4 hilos
RS -485/422TX(B)	2	
RS-485A alt RS-485/422RX(A)	3	Par RX para todos los modos (RX/TX combinado para RS-485 de 2 hilos)
RS-485B alt RS-485/422RX(B)	4	



Indicadores LED

LED	Color	Indicación
Red	Verde	Fijo para indicar la conexión a una red de 100 Mbits/s. Parpadea para indicar actividad en la red.
	Ámbar	Fijo para indicar conexión a una red de 10 Mbits/s. Parpadea para indicar actividad en la red.
	Apagado	Sin conexión a la red.
Estado	Verde	Verde fijo para indicar funcionamiento normal. Nota: El LED de estado puede configurarse para que esté apagado durante el funcionamiento normal o para que parpadee únicamente cuando se accede a la cámara. Para configurarlo, vaya a Setup (Configuración) > System Options (Opciones del sistema) > LED settings (Ajustes de LED) . Para más información, consulte los archivos de ayuda en línea.
	Ámbar	Fijo durante el inicio o durante el restablecimiento de los valores o la configuración iniciales.
	Rojo	Parpadeo lento si no se puede realizar una actualización.
Alimentación	Verde	Funcionamiento normal.
	Ámbar	Parpadea en verde/ámbar durante la actualización del firmware.

LED de estado al utilizar el Asistente de enfoque

LED de estado	Color	Indicación
	Verde	Paso 4: Asistente de enfoque está habilitado Paso 6: El objetivo está ajustado correctamente
	Ámbar	Paso 4: La cámara se ha desplazado, o se ha introducido un objeto delante del objetivo. Salga del Asistente de enfoque y reinicielo. Paso 6: El objetivo no se ha ajustado correctamente.
	Rojo	Paso 4: La cámara se ha desplazado, o se ha introducido un objeto delante del objetivo. Salga del Asistente de enfoque y reinicielo. Paso 6: El objetivo está mal ajustado.

Restablecer a los valores iniciales

Esta operación restaurará todos los parámetros, incluida la dirección IP y la posición de enfoque, a los valores iniciales:

1. Desconecte la alimentación de la cámara.
2. Mantenga pulsado el botón de control y vuelva a conectar la alimentación.
3. Mantenga pulsado el botón de Control hasta que el indicador de estado emita una luz ámbar (puede tardar hasta 30 segundos en encenderse).
4. Suelte el botón de Control. Cuando el indicador de estado emita una luz verde (lo que puede tardar hasta 1 minuto), ha finalizado el proceso y se han restablecido los valores iniciales de la cámara de red.
5. Vuelva a asignar la dirección IP mediante uno de los métodos descritos en la documentación disponible en el CD.
6. Vuelva a enfocar la cámara utilizando uno de los métodos descritos en este documento.

También es posible restablecer los parámetros a los valores iniciales de fábrica mediante la interfaz Web. Para obtener más información, consulte la ayuda en línea o el Manual del usuario.

Más información

El Manual del usuario está disponible en el sitio web de Axis en www.axis.com.

Visite www.axis.com/techsup para comprobar si hay disponible firmware actualizado para el producto de red. Para consultar la versión firmware que tiene instalada actualmente, vaya a Setup (Configuración) > About (Acerca).

Visite el centro de formación de Axis en www.axis.com/academy para consultar cursos, seminarios web, tutoriales y guías de gran utilidad.

Garantía

Para obtener más información acerca de la garantía de los productos Axis e información relacionada, visite www.axis.com/warranty

Installation Guide

Ver. 1.0

AXIS P1355/P1357 Network Camera

Printed: November 2012

© Axis Communications AB 2012

Part No. 48353

Free Manuals Download Website

<http://myh66.com>

<http://usermanuals.us>

<http://www.somanuals.com>

<http://www.4manuals.cc>

<http://www.manual-lib.com>

<http://www.404manual.com>

<http://www.luxmanual.com>

<http://aubethermostatmanual.com>

Golf course search by state

<http://golfingnear.com>

Email search by domain

<http://emailbydomain.com>

Auto manuals search

<http://auto.somanuals.com>

TV manuals search

<http://tv.somanuals.com>