



CLASSIC SERIES

CADDIE

CABRIOLET CTS

CORSAIRE XL CTS



OWNER'S MANUAL / GUIDE D'UTILISATION

Revised 13/03/06

www.chariotcarriers.com

51100452



CONGRATULATIONS AND THANK YOU FOR PURCHASING A CHARIOT CARRIER!



Congratulations on choosing a Classic series CTS Trailer, the key component of the world's premiere **Child Transport System (CTS)**. Your new CTS carrier offers superior quality, safety features, and comfort. In addition, Chariot's CTS Conversion Kits can provide you with the versatility to meet all of your child transportation needs.

The CTS Conversion Kits available from your Chariot dealer are the following: **1. Jogging CTS Kit 2. Strolling CTS Kit 3. Hiking CTS Kit**

IMPORTANT Read all instructions before using your Chariot Carrier.

TABLE OF CONTENTS

General Warnings2
Carrier Maintenance, Care and Storage2
Safety Guidelines3
Chariot Carrier CTS Classic Series Assembly
1.0 Erecting and Folding the Carrier4
1.1 Wheel Assembly (Caddie and Cabriolet)5
1.2 Wheel Assembly (Corsaire)5
1.3 Hitch Arm Assembly for Cabiolet5
1.4 Hitch Arm Assembly for Caddie5
1.5 Attaching Your New Quick Release (QR) Skewer & Axle Mounted Hitch Cup to Your Bicycle5
1.6 Attaching Your Axle Mounted Hitch Cup to Your Bicycle if You Have a Solid Axle Hub Style6
1.7 Attaching Your Carrier to the Hitch Cup on Your Bicycle6
1.8 Reflector Assembly6
1.9 High Visibility Flag Assembly and Installation6
1.10 Weather Cover Features7
1.11 Child Placement and Seatbelts7
1.12 Suspension Adjustment8
Parts Lists
Caddie9
Cabriolet10
Corsaire11
Accessories12
Instructions en français13
Limited Lifetime Warranty25

GENERAL WARNINGS

This manual contains many **WARNINGS** and **CAUTIONS**. Read and understand all of the **WARNINGS** and **CAUTIONS**. Failure to assemble and use this carrier correctly may lead to serious personal injury or death to you or your passengers.

- Do not install a car seat or any other seating device not approved by the manufacturer inside the carrier.
- Make no modifications to the carrier.
- The carrier may become unstable if a parcel bag or rack not approved by the manufacturer is attached to the carrier.
- Do not allow any of the child's body, clothing, shoe laces, or toys to come in contact with moving parts.
- Never leave children unattended in the carrier.
- Failure to comply with the manufacturer's instructions may lead to serious injury or death to you and to your passengers.
- Maximum capacity of the carrier is 100 lb (45 kg). This includes the weight of the child/children and cargo. Do not use with children who exceed the weight limitations.
- Do not use cleaning solvents on the carrier. Clean only with mild soap and water.
- When used with only one passenger, the passenger should be seated in a center seating position.
- Passengers must always use seat belts.
- Care must be taken when folding and unfolding to prevent finger entrapment.
- Never use your carrier to go up or down stairs or on steep hills.
- A reflector that complies with CPSC regulations shall be visible on the rear of the trailer and on the side of the wheels.
- Before each ride, ensure the attached carrier does not interfere with braking, pedaling, or steering of the bicycle.
- Never ride a bicycle at night without adequate lighting. Obey all local legal requirements for lighting.
- Ride with extreme caution, never exceed 25 km/h, and slow down to less than 10 km/h around corners and on rough roads.
- Use of a trailer changes the stability, braking requirements and riding characteristics of your bike.
- Always use flag for increased visibility.
- Before the carrier can be used with the Cycling CTS Kit, children must be at least 1 year old and able to sit upright unassisted.
- Passengers must always wear a CPSC or CE approved bicycle helmet.

When carrier is used in Jogging or Strolling mode, please observe the following:

- Use wrist safety strap at all times.
- Always use parking brake when the carrier is stationary.
- Never in-line skate with your carrier.
- Maximum weight in the rear storage compartment is 2.2 lb (1 kg). The carrier may become unstable if the pocket is overloaded.

CARRIER MAINTENANCE, CARE AND STORAGE

- A. Hitch Maintenance** - Check that the hitch and back up straps are properly secured before every ride. Periodically check the hitch for damage, cracks, etc. Replace at first sign of damage. Any damage/deterioration on any parts of your Chariot carrier should be repaired/replaced immediately to reduce the risk of personal injury.
- B. Fabric/Shell Care** - Your Chariot Carrier is manufactured from a tough, durable, water resistant fabric. Clean fabric with household soap or mild detergent and warm water only. Wipe dry. Do not machine dry.
- C. Windows** - Do not use your carrier in temperatures below -20°C (-4°F) . Plastic windows can crack at these low temperatures. If carrier is stored/left out in very cold weather you will need to let it warm up before folding or uprighting.
- D. Wheels and Axles** - Wheels should be serviced by a Chariot Dealer at least twice a year. Check wheels for loose spokes and axles for proper security every time you use your Chariot carrier.
- E. Hardware and Fasteners** - Regularly inspect nuts and bolts to ensure they are tightened securely.
- F. Storage** - Store your carrier in a dry, well-ventilated area. To avoid mildew, make sure carrier is dry before storing. Keep your carrier out of the sun when not in use to reduce fading. Do not store the carrier attached to your bicycle.

Always inspect all parts every time you use your carrier!

SAFETY GUIDELINES

Sixteen important rules for the safe use of your Chariot Carrier.

1. **Read all instructions before use!** Failure to read, understand and follow these instructions may result in an otherwise avoidable accident in which you and/or your passengers could suffer serious injury or death.
2. **The safe and proper use of this product is your responsibility!** Take a practice bicycle ride, walk/run, or hike with a weighted carrier (weighted greater than your expected load with children and cargo) before using your carrier to ensure you can handle a loaded carrier in each activity. Be extremely careful on hills and try to avoid them if possible. In addition to safe bicycle practices, the rules listed below must be followed at all times.
3. **Make sure your bicycle is in good working condition.** We recommend a frequent safety check of your bike by a certified bicycle mechanic.
4. **Do not modify or alter carrier or bicycle.** Ask your Chariot Dealer if you are not sure whether your bicycle is compatible with your carrier.
5. **When used as a bicycle trailer, children must be at least 1 year old and be able to sit upright alone.** Consult your pediatrician before carrying any child younger than one year.
6. **Do not exceed the maximum carrier load of 100 lb (45 kg). This capacity includes the weight of child/children and cargo.** Articles carried in the carrier should be well anchored to avoid shifting during travel. Unstable loads and overloading make the carrier less stable and more difficult to control.
7. **Always fasten shoulder harness, lap belt and crotch strap securely and tightly around children.** Periodically check placement of shoulder straps, especially for a sleeping child. Make sure children cannot put fingers into the wheel spokes. Instruct children not to bounce, rock or lean.
8. **Do not leave children unattended in the carrier.**
9. **To insure a smooth ride, keep tires inflated to the recommended pressure shown on the tire side wall. Check tire pressure before each use.** Over inflating tires or use of high pressure tires can cause the carrier to overturn.
10. **Use this carrier only with non-motorized bicycles capable of supporting the additional load of the carrier and child.** Do not use your carrier on electric bicycles, motorcycles, mopeds, automobiles or any other motor vehicle. Check the information supplied with your bike to verify compatibility or ask your dealer.
11. **Do not use a kickstand or other parking device to support the bicycle with a trailer attached.** Attaching a trailer can change the balance of the bicycle making kickstands ineffective. The bicycle can fall over, damaging it and the trailer.
12. **Always use the high visibility flag supplied with the trailer.** Do not assume you have the right-of-way. Do not pull your trailer in high traffic areas such as busy streets, highways or anyplace it may be unsafe to ride with children.
13. **Always verify that the folding brackets are secure and hold the carrier in an upright position.**
14. **Avoid riding at night.** Your ability to see and be seen is greatly reduced. If you must ride at night, use proper lighting and reflectors on your bicycle and wear bright reflective clothing
15. **Both cyclist and children must wear approved bicycle helmets.** If your child is too small to properly wear the smallest size approved helmet, they should not ride in the carrier.
16. **Always obey all traffic laws, and use proper hand signals.**

WARNING!

Bicycle trailers can tip over causing serious injury to passenger/rider.

Hitting an obstacle with a wheel may cause the trailer to tip over at any speed!



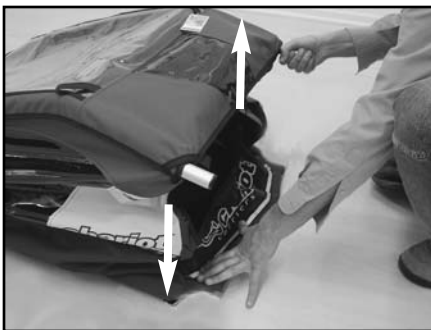
CHARIOT CARRIER CTS CLASSIC SERIES ASSEMBLY

Your Chariot Carrier is shipped 99% assembled. Initial assembly takes a few minutes. After that, folding and unfolding can be done in seconds.



1.0 Erecting and Folding the Carrier

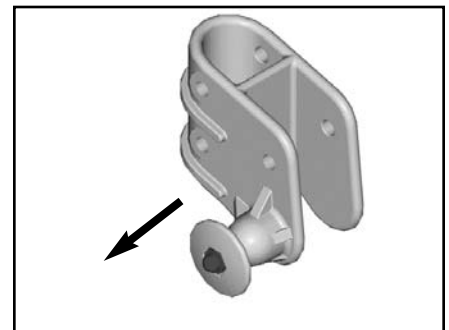
NOTE: Any reference to orientation (left or right) is from the passengers point of view while in the carrier.



Remove the wheels, the hitch arm, and the high visibility flag from inside the trailer body. Stand at the back of the trailer body. Grad the upper frame and pull up until it stops.



Reach into the back flap and pull back on the inner bar until it "snaps" all the way back over center. Use your hip or knee for leverage to help "pop" the trailer into its full upright position.



To collapse the carrier, pull the release disks and push on the curved back frame bar until the carrier is completely collapsed.

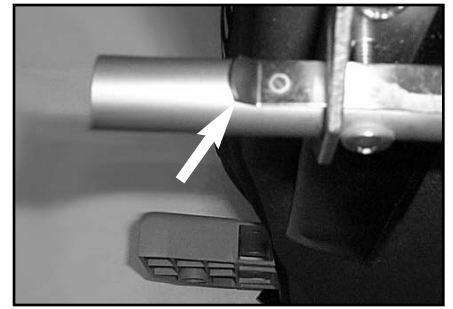
Note: The carrier can be secured in the folded-down position by looping the webbing, hanging from the back of the seat, through the buckle located at the rear bottom of the trailer.

WARNING: Ensure that folding brackets are correctly locked before using carrier. Failure to do so could cause the carrier to collapse.

WARNINGS:

- Only an experienced, strong cyclist should pull a trailer.
- Do not travel faster than 25 km/h and take corners slowly (less than 10 km/h).
- The extra weight will make your bike less responsive. You will need to ride slower. Because of the added weight, it will take longer to get up to speed and you will need more distance to stop. While riding down hill with a trailer you will gain speed more quickly. You will need to use your brakes early and often to keep your speed under control. Remember to apply the rear brake before the front brake, and to use both brakes. It will take longer to cross streets and paths because of the extra length. Turn corners gradually and slowly. A trailer can tip over if a corner is taken too fast and too sharp. Use extra care in all situations.
- Do not ride over curbs, pot holes or other road hazards.
- Stop and walk bicycle when approaching dangerous road conditions (gravel, sand, wet areas, pot holes, railroad tracks, etc.). Using the trailer off-road can damage the trailer and injure you or your passengers.
- Take a practice ride before you take your child along. Ride your bike with the trailer (weighted to simulate an occupied trailer) in an open area without traffic until you are skilled in handling your bike with a trailer attached.

1.1 Wheel Assembly (Caddie and Cabriolet)

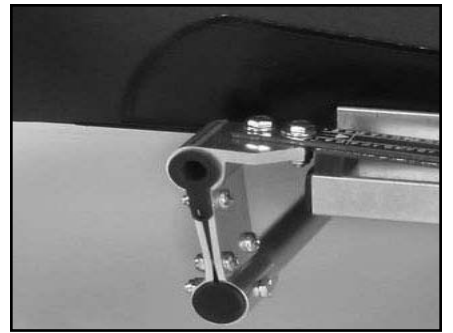


IMPORTANT: To ensure the axle system is engaged properly, test by trying to pull the wheel outwards after installing. The wheel should be locked in its installed position. If not, do not use and take your carrier to your local dealer for servicing.

To insert wheel into axle, simply insert the clevis axle attached to the wheel into the end of the hollow axle. Once fully inserted, you should hear a "click" sound.

To release the wheel from the axle, there is a safety spring button which needs to be released located on the axle pointed towards the rear of the carrier. Pull this spring button towards the rear of the carrier and remove the wheel.

1.2 Wheel Assembly (Corsaire)



1. Depress the rubber cap on the wheel hub with your thumb and fully insert the clevis axle into the hollow axle. Once fully inserted and secured, you should hear a "click" sound. **Important:** To ensure the axle system is engaged properly, test by trying to pull the wheel outwards after installing. The wheel should be locked in its installed position. If not, do not use and take your carrier to your Chariot Dealer for servicing.
2. Repeat all steps for the other wheel.

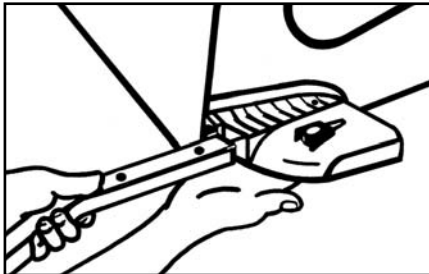
1.3 Hitch Arm Assembly for Cabriolet



Insert the hitch arm by pressing the small button and sliding the arm into the wheel arm attachment bracket. The large button should engage into the hole on the wheel arm attachment bracket.

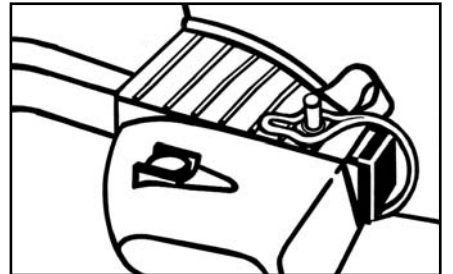
Insert the securing pin down through the small rear hole in the wheel arm attachment bracket.

1.4 Hitch Arm Assembly for Caddie



Insert hitch arm **straight** into the 'left' hitch arm attachment bracket.

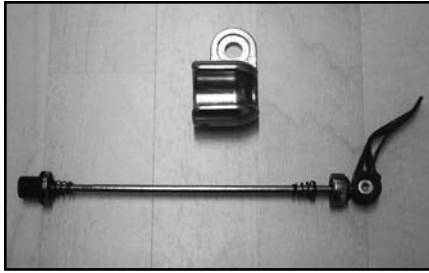
When inserted properly the end cap on the hitch arm should be seen from the back of the hitch arm attachment bracket.



Insert safety snap pin up through the holes in BOTH the hitch arm attachment bracket and the hitch arm. Lock safety snap pin by securing the clip over the pin.

WARNING: Failure to lock safety pin could cause the carrier to separate from the bicycle resulting in serious injury or death.

1.5 Attaching Your New Quick Release (QR) Skewer & Axle Mounted Hitch Cup to Your Bicycle



Remove your existing QR skewer from your bicycle's rear wheel hub. Remove the QR nut and one Skewer Spring from the Hitch QR Skewer.

Insert the Hitch QR Skewer making sure that the cup washer is next to the QR Lever and the Axle Mounted Hitch Cup is on the outside of the bicycle frame drop out. Ensure that the Axle Mounted Hitch Cup is oriented so that the cup itself is below the Hitch QR Skewer and the cup opening is facing forward.



Note: The small diameter of the Skewer Springs should point inward towards the hub axle.

Position the Hitch QR Lever so it points straight out from the hub (open position). Tighten the QR Nut on the opposite end of the Hitch QR Skewer until finger tight.



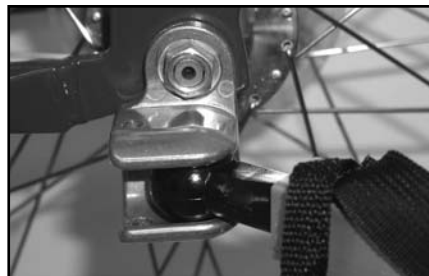
Move the Hitch QR Lever to the closed position. It should take a noticeable amount of force to close the lever (it should leave an imprint of the lever on your palm). The Hitch QR Lever should always be closed so that the lever points to the rear of the bike. This will prevent the Hitch QR Lever from catching and opening while you are riding.

1.6 Attaching Your Axle Mounted Hitch Cup to Your Bicycle if You Have a Solid Axle Style Hub

Note: The Hitch QR Skewer will not be used with a solid axle style hub.

Remove the axle nut from your bicycles rear wheel hub axle (Note: if there is a washer, remove and discard it – the Axle Mounted Hitch Cup will replace it). Install the Axle Mounted Hitch Cup on the wheel hub axle. Ensure that the Axle Mounted Hitch Cup is oriented so that the cup itself is below the solid Axle Bolt and the cup opening is facing forward. Reinstall the axle nut and tighten.

1.7 Attaching Your Carrier to the Hitch Cup on Your Bicycle



Place the CH-5 Hitch Ball into the Axle Mounted Hitch cup (inserted from the forward open end). Fully insert the hitch ball into axle mounted hitch cup.



Place the Securing Pin through the holes on the front of the Axle Mounted Hitch Cup so as to trap the CH-5 Hitch Ball in the Axle Mounted Hitch Cup. The Securing Pin must be installed from the top of the Axle Mounted hitch cup. Pull the rubber strap over the front of the Axle Mounted Hitch Cup and over the securing pin end. The "Chariot" logo should face forward.



Wrap the Hitch Back-up Safety Strap around the bicycle chainstay and attach the safety clip to the D-ring on the hitch arm. If the Hitch Back-up Safety Strap is not long enough to wrap around the bicycle chainstay (because of a non typical rear triangle), wrap it around the rear axle flange (between the drop out and the wheel hub).

WARNING: Failure to properly install and tighten the QR skewer or axle nut could cause hitch failure and wheel loss resulting in serious injury or death.

Failure to insert securing pin and to latch the rubber strap could cause the carrier to separate from the bicycle resulting in an accident and serious injury.

Failure to properly attach the hitch back-up safety strap could result in loss of carrier and serious injury or death to the occupants.

Do not use the hitch if you cannot properly install the hitch back-up safety strap to your bicycle. See your Chariot Dealer for possible alternatives.

1.8 Reflector Assembly

Fasten the red reflector through the grommet on the lower rear panel of the trailer and one yellow reflector onto each wheel.

1.9 High Visibility Flag Assembly and Installation

1. Assemble safety flag by inserting one end of pole into the other.
2. Insert flag pole through the small loop, located near the top rear left corner of the trailer, and straight down into the sleeve.

Note: Remove the flag before collapsing the trailer or the flag pole will break.

WARNING: Do not ride without flag in place. Failure to use high visibility flag could result in an otherwise avoidable accident.

1.10 Weather Cover Features



Attach the loops from the back corner of the weather cover over the aluminum sleeves located at the upper rear section of the carrier.



Fasten the front corners of the weather cover to the knobs located on the front lower corners of the frame. Caddie owners will need to attach the webbing strap to the front lower corners of the frame.

Note: Your Chariot Carrier has climate control features designed to regulate your child's temperature. Periodically monitor your child to ensure that he/she is comfortable in terms of temperature.

WARNING: Failure to use the weather cover could expose your child to flying rocks, insects, and other debris.

During cooler temperatures use the rain cover to keep your child warmer. If this is too warm or you are worried about ventilation, open one or both of the small triangular side vents (for Corsaire models). For more ventilation, roll up the rain cover and secure it by looping the elastic loops around its ends. If it is bright outside or the sun is bothering your child, use the back panel as a sunscreen. To do so, remove the weather cover, flip the back panel over the front of the carrier, secure it to the Velcro tabs located on the upper frame, and re-install the weather cover.

1.11 Child Placement and Seatbelts

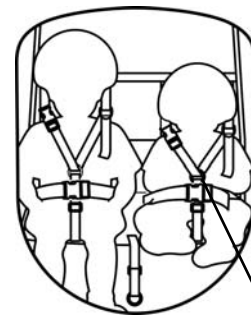
WARNING: Failure to properly attach seatbelts could result in serious injury or death to occupants in the event of an accident.

WARNING: Failure to seat a single child in the center position could cause the carrier to tip over causing serious injury or death.

WARNING: Always adjust shoulder harness and crotch strap so they meet at child's lower chest. Adjusting harnesses and buckles near your child's neck could cause serious injury.

TWO CHILDREN (Caddie)

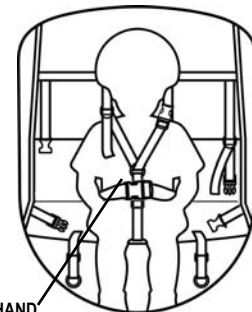
1. Unclip both shoulder harnesses from the side release buckles and unthread them from the O-rings.
2. Seat children in carrier.
3. Place the outer crotch straps between children's legs and adjust so O-rings are centered on children's lower chest.
4. Thread the shoulder harnesses through the backside of the O-rings, clip into buckles over the children's right shoulder and tighten by pulling the loose strap ends from over the children's left shoulder.
5. Fasten lap belt buckles and tighten snugly.



CENTRE O-RING
AT LOWER CHEST

ONE CHILD (Caddie)

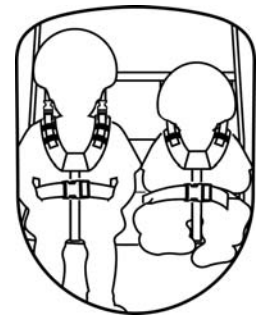
1. Seat child in center seating position.
2. Place the center crotch strap between child's legs and adjust so O-ring is centered on child's lower chest.
3. Thread right hand shoulder harness through the back side of the O-ring, clip into buckle over the child's left shoulder, and tighten by pulling the loose strap end from over the child's right shoulder.
4. Fasten lap belt buckle and tighten snugly.



RIGHT HAND
SHOULDER HARNESS

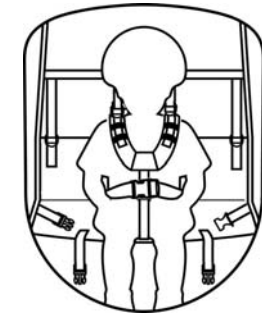
TWO CHILDREN (Cabriolet and Corsaire)

1. Undo the two buckles located at the top of the padded shoulder harness, leaving it attached to the crotch belt, but flipped down.
2. Seat your child(ren).
3. Slide the shoulder belt height adjustment located on the vertical web straps, in the seat back, to the same height as your child(ren)'s shoulders.
4. Lift up the shoulder harness and connect the buckles over each shoulder. Be careful to not pinch your child's neck.
5. Adjust the system using the crotch belt and shoulder belt length adjustments until the Chariot logo located on the shoulder harness is positioned over their lower chest.
6. Buckle the waist belt(s) around their hips. The waist belt goes in front of the crotch belt and the buckle should be centered.
7. Snugly tighten all belts.



ONE CHILD (Cabriolet and Corsaire)

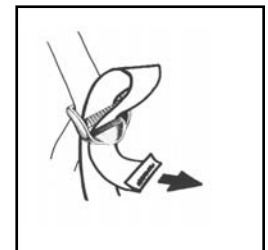
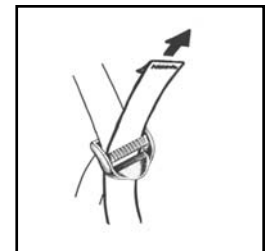
1. Use the center seating position.
2. Move a padded shoulder harness to the center seating position, thus using the center crotch belt and the two middle shoulder buckles.
3. Use the two middle waist belts and buckles.
4. The two outboard waist belts, two outboard crotch belts and one shoulder harness are not used. Safely tuck them aside in the carrier. Do not remove them.
5. Go to section **TWO CHILDREN (Cabriolet)**



ADJUSTING THE PADDED SHOULDER HARNESS

1. Unbuckle and remove the padded shoulder harness from the carrier. To undo the buckle hidden behind the Chariot logo, squeeze in from the sides of the fabric cover.
2. Located on the upper front of the shoulder harness are three adjustment loops per side: two made of webbing, one of cord. You will use these to fit the shoulder harness to one of four different sizes: XS, S, M & L.
3. To achieve the correct size, sleeve through or remove the shoulder belts with the plastic buckle through these adjustment loops, as indicated below:
 XS: Do not sleeve through any adjustment loops; thus unsleeve the shoulder belts from all loops.
 S: Only sleeve through the lowest webbing loop. When sized for XS and S, the un-used, upper sections of the shoulder harness go loose over their shoulders. Smooth them down their back for comfort.
 M: Sleeve through both webbing loops. This is the default setting.
 L: Sleeve through both webbing loops and the top cord loop.
4. Reinstall the shoulder harness into the carrier using the three plastic buckles. The male buckle on the crotch belt clips into the female buckle behind the logo in the shoulder harness.
5. Go to section **ONE CHILD** or **TWO CHILDREN**.

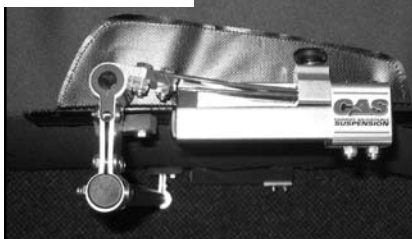
Notes: The padded shoulder harness should be symmetrical and level (the Chariot logo should be horizontal). Do not cross the shoulder belts to use up extra shoulder belt length. Do not pass the shoulder harness under an infant's arms to hold them in a sitting position. Use a Baby Bivy, an Infant Sling or a Baby Supporter with a child that cannot sit upright unsupported.



1.12 Suspension Adjustments (Corsaire)

All Corsaire models come with adjustable suspension. Four adjustment ranges are suggested, but it can be used in any position. The weight ranges suggested are based on the carrier being used for cycling. The setting could be softer or stiffer for strolling/jogging. Experimenting may be required.

Softest Setting



Stiffest Setting



NOTE: To determine the weight, you must combine the weight of the passengers and cargo. To adjust simply loosen the knob, slide bracket to desired weight range, and tighten the knob.

NOTE: The bracket should be moved to the location next to the weights noted (not on top of the position).

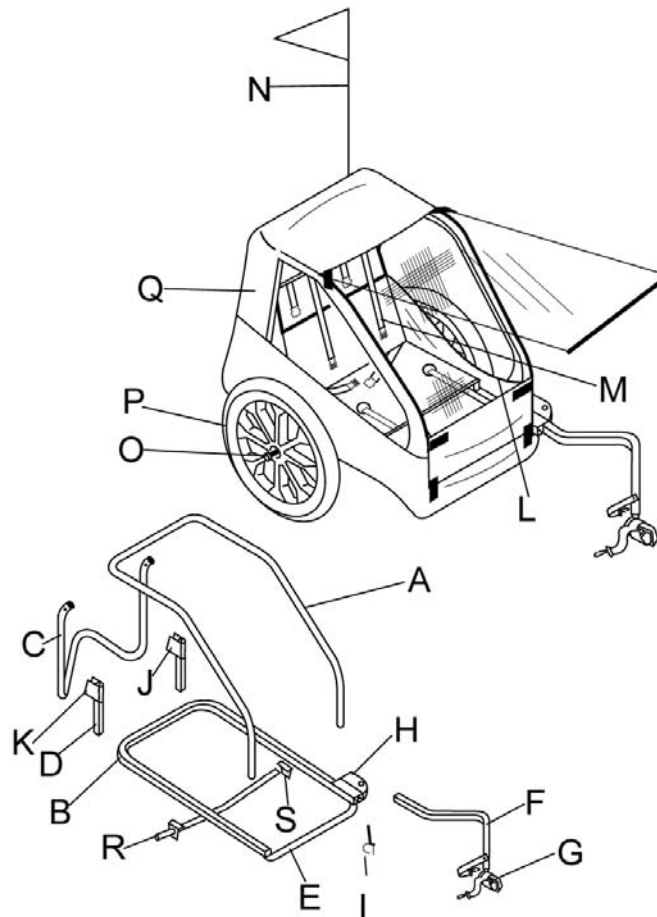
If the suspension is making a hard "knocking" sound, it means the weight setting is too low and you need to slide the bracket further towards the rear. Typically, the suspension on both sides should be set to the same position/range, however it is possible to have them set to different positions if a lighter child is on one side and a heavier child on the other.

Note: the 4 positions outlined in table where 1 represents the lightest load and 4 represents the heaviest load.

| | | | | | | | | |
|----------|---|-----------|---|-----------|---|----------|---|---|
| 75lbs. + | → | 50-75lbs | → | 25-50lbs. | → | 0-25lbs. | → | |
| | | 4 | | 3 | | 2 | | 1 |
| 34kg + | → | 22.5-34kg | → | 11-22.5kg | → | 0-11kg | → | |

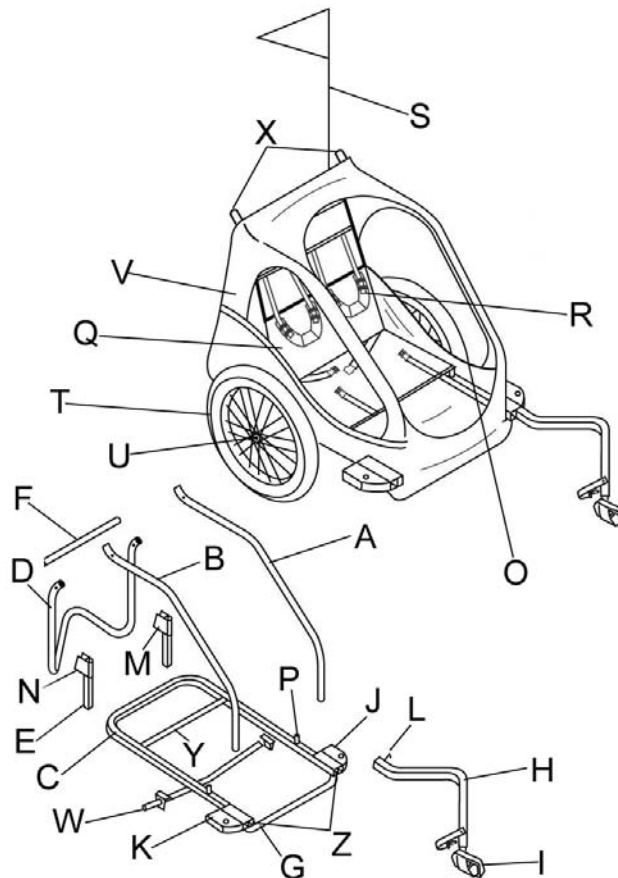
PARTS LIST CADDIE

| Part # | Part | Quantity | Part # | Part | Quantity | | |
|--------|------------|--|--------|------------|------------|-------------------------------------|---|
| A | 40100123 | Upper Frame..... | 1 | L | 41100811 | Support Hoop..... | 1 |
| B | 41100232 | Lower Frame..... | 1 | M | 40200104 | Shoulder Harness | 2 |
| C | 40100411 | Back Frame..... | 1 | N | 50101801 | Safety Flag..... | 1 |
| D | 40100723/4 | Back Tube..... | 2 | O | 50101307 | Clevis Axle with Wave Washer & | |
| E | 41100454 | U-Frame | 1 | | | Retaining Ring | 2 |
| F | 41101106 | Hitch Arm & Back-up Safety Strap..... | 1 | P | 50101733 | Plastic Wheel | 2 |
| G | 50103033/4 | Axle Mounted Hitch & QR Skewer..... | 1 | Q | 30100309 | Fabric Body..... | 1 |
| H | 40101510 | Hitch Arm Attachment Bracket - Left..... | 1 | R | 41101725 | Hollow Axle | 1 |
| I | 40202006 | Hitch Arm Safety Snap Pin | 1 | S | 41101206/7 | Wheel Bracket - Left/Right..... | 2 |
| J | 40101281 | Back Bracket - Left | 2 | | 50101904 | Reflector - Red (not shown)..... | 1 |
| K | 40101282 | Back Bracket - Right..... | 2 | | 50101906 | Reflector - orange (not shown)..... | 2 |



PARTS LIST CABRIOLET

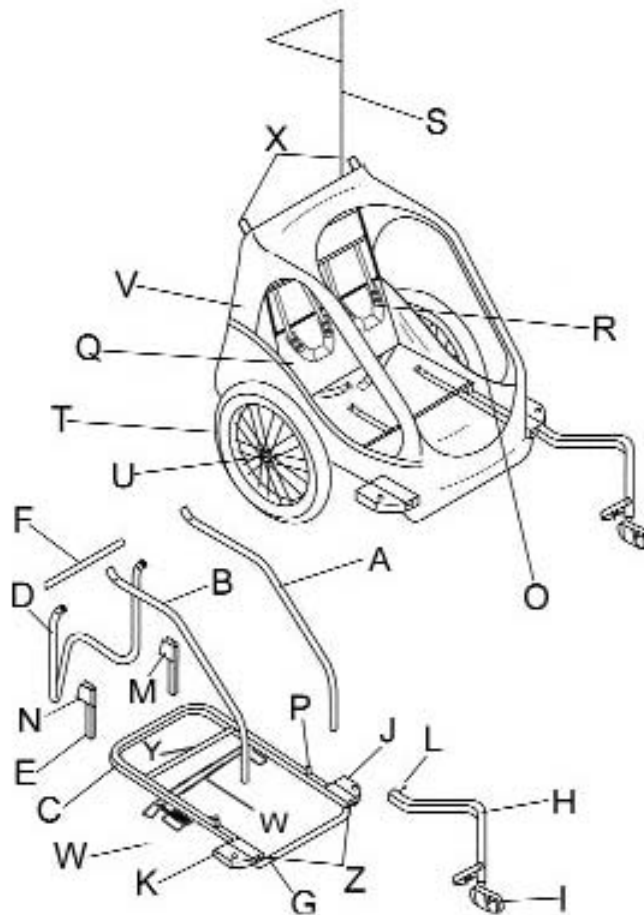
| Part # | Part | Quantity | Part # | Part | Quantity | | |
|--------|------------|--------------------------------------|--------|------|----------|---|---|
| A | 40100105 | Upper Frame - Left | 1 | Q | 32100129 | Seat | 1 |
| B | 40100106 | Upper Frame - Right | 1 | R | 40200305 | Shoulder Harness | 2 |
| C | 41100203 | Lower Frame | 1 | S | 50101801 | Safety Flag | 1 |
| D | 40100403 | Back Frame | 1 | T | 50101729 | Alloy Wheel | 2 |
| E | 40100723/4 | Back Tube | 2 | U | 50101307 | Clevis Axle with Wave Washer & Retaining Ring | 2 |
| F | 40100601 | Seat Frame | 1 | V | 30100135 | Fabric Body | 1 |
| G | 41100454 | U-Frame | 1 | W | 41101725 | Hollow Axle | 1 |
| H | 41101105 | Hitch Arm & Securing Pin Strap | 1 | X | 41101802 | Hollow Plug Glide (Handle Bar Sleeve) | 2 |
| I | 50103033/4 | Axle Mounted Hitch & QR Skewer | 1 | Y | 41100628 | Seat Anchor Tube Assembly | 1 |
| J | 40101514 | Hitch Arm Attachment Bracket - Left | 1 | Z | 50103069 | Weather cover knob | 2 |
| K | 40101515 | Hitch Arm Attachment Bracket - Right | 1 | | 50101904 | Reflector - Red (not shown) | 1 |
| L | 40202002 | Backup Safety Strap | 1 | | 50101906 | Reflector - orange (not shown) | 2 |
| M | 41101281 | Back Bracket - Left | 2 | | 31100114 | All Season Weather Cover (not shown) | 1 |
| N | 41101282 | Back Bracket - Right | 2 | | | | |
| O | 41100803 | Support Hoop | 1 | | | | |
| P | 41102128 | Seat Riser | 2 | | | | |



PARTS LIST CORSAIRE

| Part # | Part | Quantity |
|--------|---|----------|
| A | 40100109 Upper Frame - Left | 1 |
| B | 40100110 Upper Frame - Right | 1 |
| C | 41100217 Lower Frame | 1 |
| D | 40100405 Back Frame | 1 |
| E | 40100723/4 Back Tube | 2 |
| F | 40100601 Seat Frame | 1 |
| G | 41100454 U-Frame | 1 |
| H | 41101105 Hitch Arm & Securing Pin Strap | 1 |
| I | 50103033/4 Axle Mounted Hitch & QR Skewer | 1 |
| J | 40101514 Hitch Arm Attachment Bracket - Left | 1 |
| K | 40101515 Hitch Arm Attachment Bracket - Right | 1 |
| L | 40202002 Backup Safety Strap | 1 |
| M | 41101281 Back Bracket - Left | 2 |
| N | 41101282 Back Bracket - Right | 2 |
| O | 41100808 Support Hoop | 1 |
| P | 41102128 Seat Riser | 2 |

| Part # | Part | Quantity |
|--------|--|----------|
| Q | 32300708 Seat | 1 |
| R | 40200305 Shoulder Harness | 2 |
| S | 50101801 Safety Flag | 1 |
| T | 50101729 Alloy Wheel | 2 |
| U | 50101305 Clevis Axle | 2 |
| V | 30300208 Fabric Body | 1 |
| W | 41101701 Suspension tube | 1 |
| X | 50101815 Hollow Plug Glide (Handle Bar Sleeve) | 2 |
| Y | 41100628 Seat Anchor Tube Assembly | 1 |
| Z | 41102124 Cut End Cap | 2 |
| | 50101904 Reflector - Red (not shown) | 1 |
| | 50101906 Reflector - orange (not shown) | 2 |
| | 31300709 All Season Weather Cover (not shown) | 1 |
| | 40101904 Parking Braike (not shown) | 1 |



ACCESSORIES

The following high quality Chariot accessories are available for purchase at your local Chariot retailer.

Chariot CTS Conversion Kits:

Stroller Kit: Handlebars, parking brake, safety wrist strap, storage bag and stroller casters for Cabriolets.

Caddie Walker Kit: Handlebars, brake straps, safety wrist strap and stroller attachment.

Jogging Kit: Wheel arms, front wheel, handlebars, parking brake, and storage bag for Cabriolets.

Partial Stroller Kit: Stroller casters.

Hiking Kit: Extended hiking arms and adjustable harness.

Chariot Accessories:

Hydration Kit: Water bottles and brackets for Jogging/Strolling Kits.

Jogging Brake Kit: Brake and attachment for Cabriolet Jogging Kit.

Travel Bag: Heavy duty travel bag with wheel covers for double child carriers.

Chariot Backpack Set: A backpack/diaper bag for parent and a small backpack for junior.

Axle-Mount ez-Hitch™ - Partial: Hitch components required for adding a hitch to a second bike.

Storage Cover 2: A cover to protect double child carriers from the elements (while stored).

Infant Sling: A lateral support sling for the youngest Chariot passengers.

Bunting Bag: An over-sized, all season bunting bag.

Baby Supporter: To assist a baby with sitting upright and adds extra comfort during naps.



LIMITED LIFETIME WARRANTY/GARANTIE À VIE LIMITÉE

CHARIOT CARRIERS INC. warrants that the frame is free of defects for the lifetime of the product. The fabric and hitch are warranted for one year following the date of delivery to the original purchaser. This warranty does not include the wheels and tires. This warranty is valid only to the original purchaser and under normal use.

Repairs must be made by CHARIOT CARRIERS INC. or an authorized dealer, otherwise this warranty is void. CHARIOT CARRIERS INC. reserves the right to repair or replace the warranted carrier.

This warranty does not apply to damages caused by misuse of this product, accidental or intentional damage, neglect or commercial use. Excluded from this warranty is liability for consequential property or commercial damages or for damages for loss of use.

This constitutes the only warranty of CHARIOT CARRIERS INC. and its authorized agents and dealers and no other warranty or conditions, statutory, parole, collateral or otherwise (including conditions requiring compliance with description, fitness for purpose and merchantable quality) shall be implied.

CHARIOT CARRIERS INC. garantit le cadre contre tout défaut tant que le produit sera utilisé et garantit aussi le tissu ainsi que le dispositif d'attelage pendant un an à compter de la date de livraison du produit à l'acheteur d'origine. La présente garantie ne s'applique pas aux roues ni aux pneus et elle n'est valable que pour l'acheteur d'origine, dans des conditions normales d'utilisation.

Les réparations doivent être effectuées par CHARIOT CARRIERS INC. ou un détaillant autorisé sans quoi la garantie devient nulle et non avenue. CHARIOT CARRIERS INC. se réserve le droit de réparer ou de remplacer la remorque.

La présente garantie ne s'applique pas à des problèmes découlant d'une utilisation abusive du produit, aux dommages intentionnels ou accidentels, aux cas de négligence ni à ceux d'utilisation à des fins commerciales. La garantie ne porte pas non plus sur la responsabilité pour dommages indirects à la propriété ou aux biens, ni à la privation de jouissance. Il s'agit de la seule garantie accordée par CHARIOT CARRIERS INC. et ses détaillants ou agents autorisés. Aucune autre garantie ou condition réglementaire, verbale, accessoire ou autre (y compris toute condition exigeant la conformité à la description, à l'usage souhaité ou à la qualité marchande) n'est sous-entendue.

WARRANTY/GARANTIE

To validate your warranty and for contacting you for any future potential safety notices, please complete the following information and send to: *Pour que votre garantie entre en vigueur, fournissez les renseignements suivants et faites-les parvenir à:* Chariot Carriers Inc., Bay F, 6810 – 6th Street SE, Calgary, Alberta, T2H 2K4, CANADA . You can also validate your warranty on-line at www.chariotcarriers.com.

Name/Nom: _____ Model/Modèle: _____

Address/Adresse: _____ Serial #/N° de Série: _____ / _____ - _____
M Y/A #N°

City/Ville: _____ Province or State: _____ Country/Pays: _____

Postal Code or Zip Code/Code Postal: _____ Telephone/Téléphone: (_____) _____

Date of Purchase/Date d'achat: _____ Store & Location/Magasin et Ville: _____

I purchased a **CHARIOT CARRIER** for the following reason(s)/J'ai choisi **CHARIOT CARRIER** pour les raisons suivantes:

- reasonable price/prix raisonnable
- easy to assemble/facile à assembler
- recommended by friend/recommandation
- the many features/caractéristiques
- quality of product/qualité du produit
- North American made/Nord-Américain
- visited Chariot's web site/consultation du site web
- saw an advertisement/publicité
- lifetime warranty/garantie à vie
- CTS Conversion Kits/trousses CTS
- recommended by salesperson/vendeur

Additional comments/autres commentaires:

Free Manuals Download Website

<http://myh66.com>

<http://usermanuals.us>

<http://www.somanuals.com>

<http://www.4manuals.cc>

<http://www.manual-lib.com>

<http://www.404manual.com>

<http://www.luxmanual.com>

<http://aubethermostatmanual.com>

Golf course search by state

<http://golfingnear.com>

Email search by domain

<http://emailbydomain.com>

Auto manuals search

<http://auto.somanuals.com>

TV manuals search

<http://tv.somanuals.com>