

CHICAGO
Electric® Power Tools

DUAL ELECTRIC MORTAR MIXER

Model 65760

SET UP AND OPERATING INSTRUCTIONS



Distributed exclusively by Harbor Freight Tools®.

3491 Mission Oaks Blvd., Camarillo, CA 93011

Visit our website at: <http://www.harborfreight.com>



**Read this material before using this product.
Failure to do so can result in serious injury.
SAVE THIS MANUAL.**

Copyright© 2008 by Harbor Freight Tools®. All rights reserved. No portion of this manual or any artwork contained herein may be reproduced in any shape or form without the express written consent of Harbor Freight Tools. Diagrams within this manual may not be drawn proportionally. Due to continuing improvements, actual product may differ slightly from the product described herein. Tools required for assembly and service may not be included.

For technical questions or replacement parts, please call 1-800-444-3353.

SAVE THIS MANUAL

Keep this manual for the safety warnings and precautions, assembly, operating, inspection, maintenance and cleaning procedures. Write the product's serial number in the back of the manual near the Assembly Diagram (or month and year of purchase if product has no number). Keep this manual and the receipt in a safe and dry place for future reference.

IMPORTANT SAFETY INFORMATION

In this manual, on the labeling, and all other information provided with this product:



This is the safety alert symbol. It is used to alert you to potential personal injury hazards. Obey all safety messages that follow this symbol to avoid possible injury or death.

DANGER

DANGER indicates a hazardous situation which, if not avoided, will result in death or serious injury.

WARNING

WARNING indicates a hazardous situation which, if not avoided, could result in death or serious injury.

CAUTION

CAUTION, used with the safety alert symbol, indicates a hazardous situation which, if not avoided, could result in minor or moderate injury.

NOTICE

NOTICE is used to address practices not related to personal injury.

CAUTION

CAUTION, without the safety alert symbol, is used to address practices not related to personal injury.

General Safety Warnings



WARNING Read all safety warnings and instructions. *Failure to follow the warnings and instructions may result in electric shock, fire and/or serious injury. Save all warnings and instructions for future reference.*

1. **Work area safety**
 - a. **Keep work area clean and well lit.** *Cluttered or dark areas invite accidents.*
 - b. **Do not operate the Mortar Mixer in explosive atmospheres, such as in the presence of flammable liquids, gases or dust.** *Power tools create sparks which may ignite the dust or fumes.*
 - c. **Keep children and bystanders away while operating the Mortar Mixer.** *Distractions can cause you to lose control.*
2. **Electrical safety**
 - a. **Power tool plugs must match the outlet. Never modify the plug in any way. Do not use any adapter plugs with grounded power tools.** *Unmodified plugs and matching outlets will reduce risk of electric shock.*
 - b. **Avoid body contact with grounded surfaces such as pipes, radiators,**

ranges and refrigerators. *There is an increased risk of electric shock if your body is grounded.*

c. Do not expose the Mortar Mixer to rain. *Water entering a power tool will increase the risk of electric shock.*

d. Do not abuse the Power Cord (6). **Never use the Cord for carrying, pulling or unplugging the Mortar Mixer. Keep the Cord away from heat, oil, sharp edges or moving parts.** *Damaged or entangled cords increase the risk of electric shock.*

3. Personal safety

a. Stay alert, watch what you are doing and use common sense when operating the Mortar Mixer. Do not use a power tool while you are tired or under the influence of drugs, alcohol or medication. A moment of inattention while operating power tools may result in serious personal injury.

b. Use personal protective equipment. Always wear ANSI-approved safety goggles. *Safety equipment such as NIOSH-approved dust mask, non-skid safety shoes, hard hat, or hearing protection used for appropriate conditions will reduce personal injuries.*

c. Prevent unintentional starting. Ensure the Power Switch (1) is in the "OFF" position before connecting to the power source, picking up or carrying the tool. *Carrying power tools with your finger on the Switch or energizing power tools that have the Switch on invites accidents.*

d. Remove any adjusting key or wrench before turning the Mortar Mixer on. *A wrench or a key left at-*

tached to a rotating part of the power tool may result in personal injury.

e. Do not overreach. Keep proper footing and balance at all times. *This enables better control of the Mortar Mixer in unexpected situations.*

f. Dress properly. Do not wear loose clothing or jewelry. Keep your hair, clothing and gloves away from moving parts. *Loose clothes, jewelry or long hair can be caught in moving parts.*

g. If devices are provided for the connection of dust extraction and collection facilities, ensure these are connected and properly used. *Use of these devices can reduce dust-related hazards.*

4. Power tool use and care

a. Do not force the Mortar Mixer. Use the correct power tool for your application. *The correct power tool will do the job better and safer at the rate for which it was designed.*

b. Do not use the Mortar Mixer if the Power Switch (1) does not turn it on and off. *Any power tool that cannot be controlled with the Switch is dangerous and must be repaired.*

c. Disconnect the Power Cord (6) from its electrical outlet before making any adjustments, changing accessories, or storing the Mortar Mixer. *Such preventive safety measures reduce the risk of starting the power tool accidentally.*

d. Store idle power tools out of the reach of children and do not allow persons unfamiliar with the Mortar Mixer or these instructions to operate the power tool. *Power*

tools are dangerous in the hands of untrained users.

- e. **Maintain the Mortar Mixer.** Check for misalignment or binding of moving parts, breakage of parts and any other condition that may affect the power tool's operation. If damaged, have the power tool repaired before use. *Many accidents are caused by poorly maintained power tools.*
 - f. **Use the Mortar Mixer and its accessories in accordance with these instructions, taking into account the working conditions and the work to be performed.** *Use of the Mortar Mixer for operations different from those intended could result in a hazardous situation.*
- 5. Service**
- a. **Have your Mortar Mixer serviced by a qualified repair person using only identical replacement parts.** *This will ensure that the safety of the power tool is maintained.*
4. **Do not use an extension cord with this Mortar Mixer.**
 5. **Do not start the Mortar Mixer until its Left and Right Augers (28A, 28B) are in the mixing drum.**
 6. **Do not remove the Left and Right Augers (28A, 28B) from the mixing drum until the Mortar Mixer has completely stopped.**
 7. **Do not attempt to mix flammable or combustible materials with this Mortar Mixer.**
 8. **Maintain labels and nameplates on the Mortar Mixer.** *These carry important safety information. If unreadable or missing, contact Harbor Freight Tools for a replacement.*
 9. **Avoid unintentional starting.** *Prepare to begin work before turning on the Mortar Mixer.*
 10. **Do not leave the Mortar Mixer unattended when it is plugged into an electrical outlet.** *Turn off the tool, and unplug it from its electrical outlet before leaving.*

Specific Safety Warnings

1. **When in use, always hold the Grip Housing (16) of the Mortar Mixer firmly with both hands.**
2. **Keep hands, fingers, and body safely away from the Left and Right Augers (28A, 28B) when the the Mortar Mixer is plugged into an electrical outlet.**
3. **Use this Mortar Mixer only with the Ground Fault Circuit Interrupter (GFCI) Plug/Power Cord (6).** *Attach the GFCI Plug/Power Cord directly to the electrical outlet.*
11. **This product is not a toy. Keep it out of reach of children.**
12. **People with pacemakers should consult their physician(s) before use.** *Electromagnetic fields in close proximity to heart pacemaker could cause pacemaker interference or pacemaker failure. In addition, people with pacemakers should:*
 - *Avoid operating alone.*
 - *Do not use with power switch locked on.*
 - *Properly maintain and inspect to avoid electrical shock.*
 - *Any power cord must be properly*

grounded. The Ground Fault Circuit Interrupter (GFCI) must also be implemented – it prevents sustained electrical shock.

- 13. Some dust created by power sanding, sawing, grinding, drilling, and other construction activities, contains chemicals known [to the State of California] to cause cancer, birth defects or other reproductive harm. Some examples of these chemicals are:**

- Lead from lead-based paints
- Crystalline silica from bricks and cement or other masonry products
- Arsenic and chromium from chemically treated lumber

Your risk from these exposures varies, depending on how often you do this type of work. To reduce your exposure to these chemicals: work in a well ventilated area, and work with approved safety equipment, such as those dust masks that are specially designed to filter out microscopic particles. (California Health & Safety Code § 25249.5, et seq.)

- 14. WARNING: Handling the Power Cord (6) on this product will expose you to lead, a chemical known to the State of California to cause cancer, and birth defects or other reproductive harm. Wash hands after handling. (California Health & Safety Code § 25249.5, et seq.)**

- 15. The warnings, precautions, and instructions discussed in this instruction manual cannot cover all possible conditions and situations that may occur. It must be understood by the operator that common sense and caution are factors which**

cannot be built into this product, but must be supplied by the operator.

Vibration Safety

This tool vibrates during use. Repeated or long-term exposure to vibration may cause temporary or permanent physical injury, particularly to the hands, arms and shoulders. To reduce the risk of vibration-related injury:

1. Anyone using vibrating tools regularly or for an extended period should first be examined by a doctor and then have regular medical check-ups to ensure medical problems are not being caused or worsened from use. Pregnant women or people who have impaired blood circulation to the hand, past hand injuries, nervous system disorders, diabetes, or Raynaud's Disease should not use this tool. If you feel any medical or physical symptoms related to vibration (such as tingling, numbness, and white or blue fingers), seek medical advice as soon as possible.
2. Do not smoke during use. Nicotine reduces the blood supply to the hands and fingers, increasing the risk of vibration-related injury.
3. Wear suitable gloves to reduce the vibration effects on the user.
4. Use tools with the lowest vibration when there is a choice between different processes.
5. Include vibration-free periods each day of work.

6. Grip tool as lightly as possible (while still keeping safe control of it). Let the tool do the work.
7. To reduce vibration, maintain the tool as explained in this manual. If any abnormal vibration occurs, stop use immediately.



SAVE THESE INSTRUCTIONS.

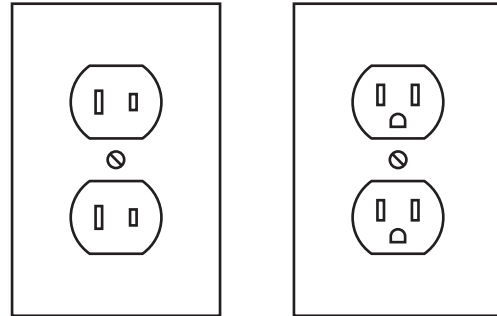
GROUNDING

WARNING TO PREVENT ELECTRIC SHOCK



AND DEATH FROM INCORRECT GROUNDING WIRE CONNECTION:
 Check with a qualified electrician if you are in doubt as to whether the Outlet is properly grounded. Do not modify the GFCI Power Cord Plug provided with the tool. Do not use the tool if the Power Cord or Plug is damaged. If damaged, have it repaired by a service facility before use. If the Plug will not fit the Outlet, have a proper Outlet installed by a qualified electrician.







Double Insulated Tools: Tools with Two Prong Plugs



Outlets for 2-Prong Plug

1. Tools marked “Double Insulated” do not require grounding. They have a special double insulation system which satisfies OSHA requirements and complies with the applicable standards of Underwriters Laboratories, Inc., the Canadian Standard Association, and the National Electrical Code.
(See Outlets for 2-Prong Plug.)
2. Double insulated tools may be used in either of the 110 volt outlets shown.
(See Outlets for 2-Prong Plug.)

SYMBOLOLOGY

	Double Insulated
	Canadian Standards Association
	Underwriters Laboratories, Inc.
	Volts Alternating Current
	Amperes
	No Load Revolutions per Minute (RPM)

SPECIFICATIONS

Electrical Requirements	110 V~ / 60 Hz / 8 Amps Power Switch: Trigger with Safety Lock Power Cord: 16 AWG x 2C Power Plug: GFCI 2-Prong Polarized
Rotation	Counterclockwise Only
Rotations Per Minute	Low Speed (I): 0 to 500 RPM High Speed (II): 0 to 700 RPM
Variable Speed	6 settings
Accessories	Left Auger (Qty. 1) Right Auger (Qty. 1) Carbon Brushes (Qty. 2) 7/8" Wrench (Qty. 1) 1-1/8" Wrench (Qty. 1)

UNPACKING

When unpacking, check to make sure that the item is intact and undamaged. If any parts are missing or broken, please call Harbor Freight Tools at the number shown on the cover of this manual as soon as possible.

ASSEMBLY INSTRUCTIONS



Read the **ENTIRE IMPORTANT SAFETY INFORMATION** section at the beginning of this manual including all text under subheadings therein before set up or use of this product.

WARNING

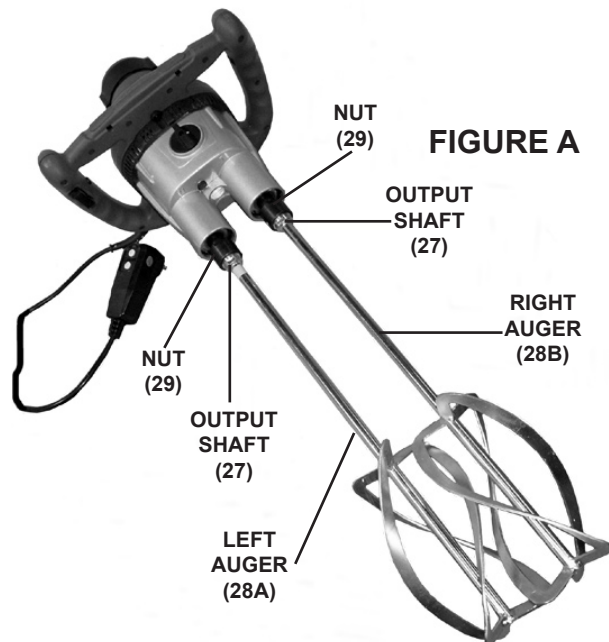
TO PREVENT SERIOUS INJURY

FROM ACCIDENTAL OPERATION:

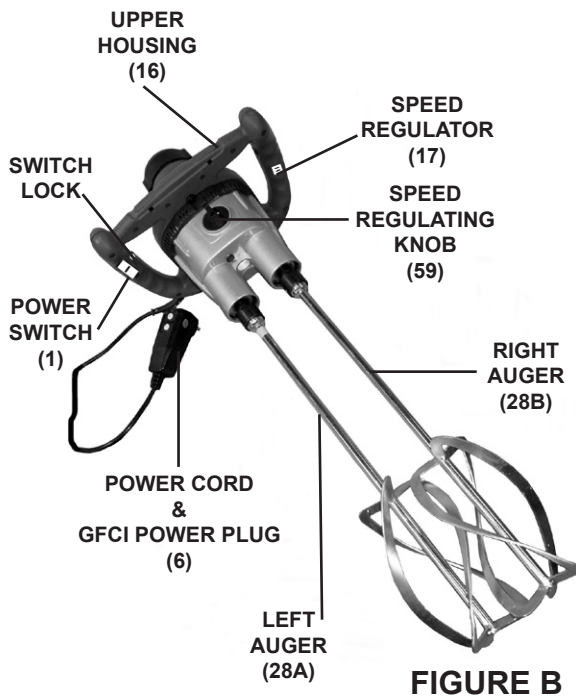
Turn the Power Switch (1) of the Mortar Mixer to its "OFF" position and unplug the tool from its electrical outlet before assembling or making any adjustments to the tool.

Note: For additional information regarding the parts listed in the following pages, refer to the Assembly Diagram near the end of this manual.

1. Insert the Left Auger (28A) into the Output Shaft (27) marked "L". Then use the provided 7/8" Wrench (28C) and 1-1/8" Wrench (28D) to tighten the Nut (29) and secure the Left Auger in place. **(See Figure A.)**
2. Insert the Right Auger (28B) into the Output Shaft (27) marked "R". Then use the provided 7/8" Wrench (28C) and 1-1/8" Wrench (28D) to tighten the Nut (29) and secure the Right Auger in place. **(See Figure A.)**



PRODUCT FEATURES



OPERATING INSTRUCTIONS



Read the **ENTIRE IMPORTANT SAFETY INFORMATION** section at the beginning of this manual including all text under subheadings therein before set up or use of this Mortar Mixer. **Warning: Before each use check the operation of GFCI plug.** a) Plug GFCI into power outlet. Indicator should turn on. b) Press test button. Indicator should turn off. c) Press reset button again for use. Plug indicator light must be illuminated. Do not use tool if above test fails.

1. Designate a work area that is clean and well-lit. The work area must not allow access by children or pets to prevent injury and distraction.

2. Place a mixing drum (not included) in the work area. Make sure the mixing drum is located on a flat, level ground surface.
3. Pour the material to be mixed (i.e., large batches of grout, concrete, or mortar) in the mixing drum.
4. **IMPORTANT:** Refer to the manufacturer's instructions of the material for proper mixing instructions.
5. Make sure the Power Switch (1) of the Mortar Mixer is in its "**OFF**" position. Then plug the tool's GFCI Power Cord/Plug (6) into the nearest 110 volt, grounded, electrical outlet. **(See Figure B.)**
6. **NOTE:** Route the Power Cord (6) along a safe route to reach the mixing drum without creating a tripping hazard or exposing the Power Cord to possible damage. The Power Cord must reach the mixing drum with enough extra length to allow free movement while working. **(See Figure B.)**
7. Lower the previously attached Left Auger (28A) and Right Auger (28B) into the mixing drum. **CAUTION:** Do not immerse the Mortar Mixer in material above the Shafts of the Augers. **(See Figure B.)**
8. Set the Speed Regulating Knob (59) to either "**LOW**" (0 to 480 RPM) or "**HIGH**" (0 to 650 RPM). **IMPORTANT:** DO NOT attempt to change speeds with the Speed Regulating Knob while the tool is running. **(See Figure B.)**
9. Grip the Upper Housing (16) firmly with both hands and maintain a firm

grip throughout the mixing operation. (See Figure B.)

10. Press and hold the Switch Lock while pulling up on the Power Switch (1) to start the Mortar Mixer. The power switch must be held up all the time for the unit to operate. Releasing the switch will turn the unit off. (See Figure B.)
11. If necessary, you may further adjust the speed of the Mortar Mixer paddles by adjusting the Speed Regulator (17).NOTE: The Speed Regulator may be adjusted while the tool is running. (See Figure B.)
12. When finished mixing the material, turn the Mortar Mixer's Power Switch (1) to its "OFF" position to stop the tool.
CAUTION: DO NOT remove the Mortar Mixer from the mixing drum until the Mixer has completely stopped. (See Figure B.)
13. Once the Mortar Mixer has completely stopped, remove it from the mixing drum. Then unplug the GFCI Power Cord/Plug (6) from its electrical outlet. (See Figure B.)
14. Make sure to clean the Left Auger (28A) and Right Auger (28B) thoroughly after use. Then store the Mortar Mixer in a clean, dry, safe location out of reach of children and other unauthorized persons.

must be performed only by a qualified technician.

⚠ WARNING TO PREVENT SERIOUS INJURY

FROM ACCIDENTAL OPERATION:

Turn the Power Switch (1) of the Mortar Mixer to its "OFF" position and unplug the tool from its electrical outlet before performing any inspection, maintenance, or cleaning procedures.

TO PREVENT SERIOUS INJURY FROM TOOL FAILURE:

Do not use damaged equipment. If abnormal noise or vibration occurs, have the problem corrected before further use.

1. BEFORE EACH USE, inspect the general condition of the Mortar Mixer. Check for loose screws/nuts, misalignment or binding of moving parts, cracked or broken parts, damaged electrical wiring, and any other condition that may affect its safe operation.
2. CARBON BRUSH MAINTENANCE. The Carbon Brushes (9) may require maintenance when the Motor performance of the tool decreases or stops working completely. To maintain the Brushes:
 - a. Remove the Carbon Brush Cover (8) on each side of the Motor Housing.
 - b. Remove the Carbon Brushes (9) from the Housing. **Keep track of which orientation the old Carbon Brushes were in to prevent needless wear if they will be reinstalled.**

MAINTENANCE AND SERVICING



Procedures not specifically explained in this manual

- c. If either Carbon Brush (9) is worn down by more than 1/2, replace **both** Carbon Brushes.
- d. To clean old Carbon Brushes (9) before reusing them, rub the contact areas with a pencil eraser.
- e. Reinsert the old Carbon Brushes (9) in the same orientation to reduce wear.
- f. When installing the Carbon Brushes (9), make sure the carbon portions of the Brushes contact the Motor Armature, and that the Springs face away from the Motor. Also, make sure the Springs operate freely.
- g. Replace the Brush Covers (8). Do not overtighten.

Note: New Carbon Brushes (9) tend to spark when first used until they wear and conform to the Motor's Armature. (See Assy. Diagram.)

- 3. AFTER USE, clean external surfaces of the tool with clean cloth. Do not use solvents. Do not immerse the Motor Housing in liquid.

- 4. **WARNING!** If the Power Cord (6) of this Mortar Mixer is damaged, it must be replaced only by a qualified service technician.

PLEASE READ THE FOLLOWING CAREFULLY

THE MANUFACTURER AND/OR DISTRIBUTOR HAS PROVIDED THE PARTS LIST AND ASSEMBLY DIAGRAM IN THIS MANUAL AS A REFERENCE TOOL ONLY. NEITHER THE MANUFACTURER OR DISTRIBUTOR MAKES ANY REPRESENTATION OR WARRANTY OF ANY KIND TO THE BUYER THAT HE OR SHE IS QUALIFIED TO MAKE ANY REPAIRS TO THE PRODUCT, OR THAT HE OR SHE IS QUALIFIED TO REPLACE ANY PARTS OF THE PRODUCT. IN FACT, THE MANUFACTURER AND/OR DISTRIBUTOR EXPRESSLY STATES THAT ALL REPAIRS AND PARTS REPLACEMENTS SHOULD BE UNDERTAKEN BY CERTIFIED AND LICENSED TECHNICIANS, AND NOT BY THE BUYER. THE BUYER ASSUMES ALL RISK AND LIABILITY ARISING OUT OF HIS OR HER REPAIRS TO THE ORIGINAL PRODUCT OR REPLACEMENT PARTS THERETO, OR ARISING OUT OF HIS OR HER INSTALLATION OF REPLACEMENT PARTS THERETO.

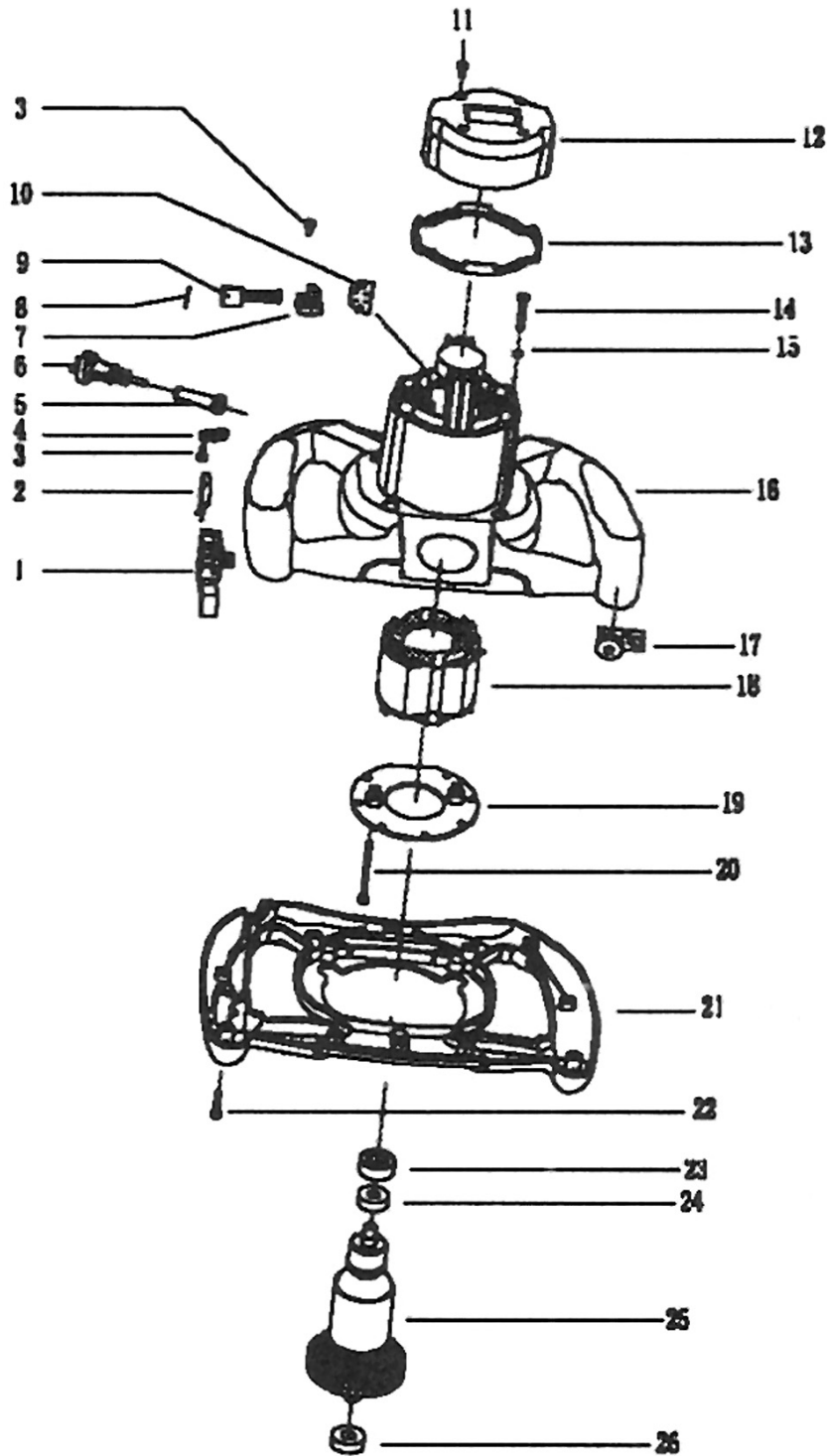
TROUBLESHOOTING		
Problem	Possible Causes	Possible Solutions
Tool will not start	1. No power at outlet. 2. Cord not connected. 3. GFCI plug not reset.	1. Check power at outlet. 2. Check that cord is plugged in. 3. Push GFCI reset button. Plug indicator light must be illuminated.
Tool turns on, but Augers do not turn.	Left and Right Augers not properly attached.	Make sure the Left Auger is attached to the Output Shaft marked "L". Make sure the Right Auger is attached to the Output Shaft marked "R" (Augers are stamped with "L" and "R").
Unsatisfactory mixing results.	Tool speed too fast or too slow.	Check with material manufacturer's recommendations for proper mixing speed. Then adjust Speed Regulator and/or Speed Regulating Knob to proper tool mixing speed.
<div style="display: flex; align-items: center;"> <p>Follow all safety precautions whenever diagnosing or servicing the tool. Disconnect power supply before service.</p> </div>		

PARTS LIST

Parts No.	Description	QTY
1	Switch	1
2	Capacitor	1
3	Screw M4X12	6
4	Pressboard	1
5	Sheath	1
6	Power cord	1
7	Carbon brush rack	2
8	Carbon brush cover	2
9	Carbon brush	2
10	Thermal insulation sheet	2
11	Screw M4X50	4
12	Rear cover	1
13	Motor gasket	
14	Screw M5X40	5
15	Spring washer	4
16	Grip Upper housing	1
17	Speed regulator	1
18	Stator	1
19	Wind stop ring	1
20	Screw M5X80	2
21	Grip Lower housing	1
22	Screw M4X14	16
23	Bearing washer	1
24	Bearing 6000	1
25	Rotor	1
26	Bearing 6001	1
27	Output shaft	2
28	Flat key 5X10	1
28A	Left Auger	1
28B	Right Auger	1
28C	7/8" Wrench	1
28D	1-1/8" Wrench	1
29	Nut	2
30	Hose clamp 47	2

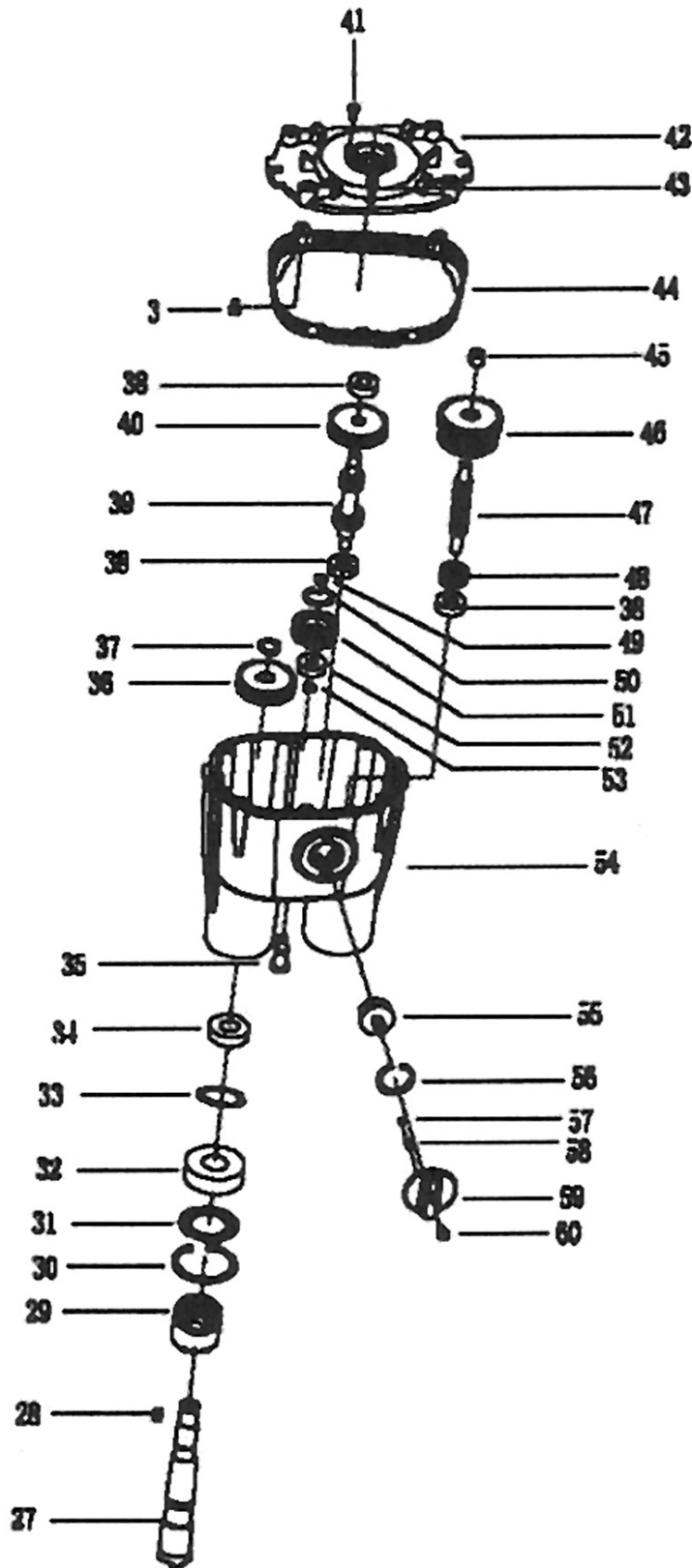
Parts No.	Description	QTY
31	Dust baffle	2
32	Bearing 6204	2
33	Hose clamp 20	2
34	Bearing 6002	2
35	Middle gear pin	1
36	Gear	3
37	Hose clamp 14	1
38	Bearing 698	1
39	Duplicate gear shaft	1
40	Gear	1
41	Screw M4X8	1
42	Intermediate cap	1
43	Screw M6X12	2
44	Motor front cover	1
45	Needle roller bearing	1
46	Duplicate gear	4
47	Spline shaft	1
48	Small gear	1
49	Circlip 10	1
50	Circlip 20	1
51	Middle gear	1
52	Bearing 608	1
53	Circlip 10	1
54	Head cover	1
55	Speed regulating deflector rod	1
56	Hose clamp 20	1
57	Steel ball	1
58	Spring	1
59	Speed regulating knob	1
60	Screw M4X10	1

ASSEMBLY DIAGRAM



Left Auger (28A) and Right Auger (28B) not shown.
7/8" Wrench (28C) and 1-1/8" Wrench (28D) not shown.

ASSEMBLY DIAGRAM - CONTINUED



LIMITED 90 DAY WARRANTY

Harbor Freight Tools Co. makes every effort to assure that its products meet high quality and durability standards, and warrants to the original purchaser that this product is free from defects in materials and workmanship for the period of 90 days from the date of purchase. This warranty does not apply to damage due directly or indirectly, to misuse, abuse, negligence or accidents, repairs or alterations outside our facilities, criminal activity, improper installation, normal wear and tear, or to lack of maintenance. We shall in no event be liable for death, injuries to persons or property, or for incidental, contingent, special or consequential damages arising from the use of our product. Some states do not allow the exclusion or limitation of incidental or consequential damages, so the above limitation of exclusion may not apply to you. THIS WARRANTY IS EXPRESSLY IN LIEU OF ALL OTHER WARRANTIES, EXPRESS OR IMPLIED, INCLUDING THE WARRANTIES OF MERCHANTABILITY AND FITNESS.

To take advantage of this warranty, the product or part must be returned to us with transportation charges prepaid. Proof of purchase date and an explanation of the complaint must accompany the merchandise. If our inspection verifies the defect, we will either repair or replace the product at our election or we may elect to refund the purchase price if we cannot readily and quickly provide you with a replacement. We will return repaired products at our expense, but if we determine there is no defect, or that the defect resulted from causes not within the scope of our warranty, then you must bear the cost of returning the product.

This warranty gives you specific legal rights and you may also have other rights which vary from state to state.

3491 Mission Oaks Blvd. • PO Box 6009 • Camarillo, CA 93011 • (800) 444-3353

Record Product's Serial Number Here: _____

Note: If product has no serial number, record month and year of purchase instead.

Note: Some parts are listed and shown for illustration purposes only, and are not available individually as replacement parts.

Free Manuals Download Website

<http://myh66.com>

<http://usermanuals.us>

<http://www.somanuals.com>

<http://www.4manuals.cc>

<http://www.manual-lib.com>

<http://www.404manual.com>

<http://www.luxmanual.com>

<http://aubethermostatmanual.com>

Golf course search by state

<http://golfingnear.com>

Email search by domain

<http://emailbydomain.com>

Auto manuals search

<http://auto.somanuals.com>

TV manuals search

<http://tv.somanuals.com>