

# CHICAGO<sup>®</sup>

Electric

## PORTABLE FLUORESCENT WORKLIGHT

**Model 94761**

### OPERATION INSTRUCTIONS



Due to continuing improvements, actual product may differ slightly from the product described herein.



3491 Mission Oaks Blvd., Camarillo, CA 93011

Visit our website at: <http://www.harborfreight.com>

**TO PREVENT SERIOUS INJURY, READ AND UNDERSTAND  
ALL WARNINGS AND INSTRUCTIONS BEFORE USE.**

Copyright© 2006 by Harbor Freight Tools<sup>®</sup>. All rights reserved. No portion of this manual or any artwork contained herein may be reproduced in any shape or form without the express written consent of Harbor Freight Tools.

**For technical questions or replacement parts, please call 1-800-444-3353.**

---

## SPECIFICATIONS

---

Power Requirement	120 V~, 60 Hz
Fluorescent Bulb	25 watt CA-9 Type
Line Cord	6' (L); Two-prong plug
Light Frame Dimensions	9-1/8" (dia.) X 10-1/2" (L)
Switch	Round, push button
Weight	4.5 lb.



### Save This Manual

You will need this manual for the safety warnings and precautions, assembly, operating, inspection, maintenance and cleaning procedures, parts list and assembly diagram. Keep your invoice with this manual. Write the invoice number on the inside of the front cover. Write the product's serial number in the back of the manual near the assembly diagram, or write month and year of purchase if product has no number. Keep this manual and invoice in a safe and dry place for future reference.

---

## GENERAL SAFETY RULES

---

 **WARNING!**

**READ AND UNDERSTAND ALL INSTRUCTIONS**  
**Failure to follow all instructions listed below may result in**  
**electric shock, fire, and/or serious injury.**  
**SAVE THESE INSTRUCTIONS**

### WORK AREA

1. **Keep your work area clean and well lit.** Cluttered benches and dark areas invite accidents.
2. **Do not operate lights in explosive atmospheres, such as in the presence of flammable liquids, gases, or dust.** Lights create sparks which may ignite the dust or fumes.
3. **Keep bystanders, children, and visitors away while operating a light.** Distractions can cause you to lose control. Protect others in the work area from debris such as chips and sparks. Provide barriers or shields as needed.

### ELECTRICAL SAFETY

1. **Grounded lights must be plugged into an outlet properly installed and grounded in accordance with all codes and ordinances. Never remove the grounding**

**prong or modify the plug in any way. Do not use any adapter plugs. Check with a qualified electrician if you are in doubt as to whether the outlet is properly grounded.** If the lights should electrically malfunction or break down, grounding provides a low resistance path to carry electricity away from the user.

2. **Double insulated lights are equipped with a polarized plug (one blade is wider than the other). This plug will fit in a polarized outlet only one way. If the plug does not fit fully in the outlet, reverse the plug. If it still does not fit, contact a qualified electrician to install a polarized outlet. Do not change the plug in any way.** Double insulation  eliminates the need for the three wire grounded power cord and grounded power supply system.
3. **Avoid body contact with grounded surfaces such as pipes, radiators, ranges, and refrigerators.** There is an increased risk of electric shock if your body is grounded.
4. **Do not abuse the Power Cord. Never use the Power Cord to carry the lights or pull the Plug from an outlet. Keep the Power Cord away from heat, oil, sharp edges, or moving parts. Replace damaged Power Cords immediately.** Damaged Power Cords increase the risk of electric shock.
5. **When operating a light outside, use an outdoor extension cord marked “W-A” or “W”.** These extension cords are rated for outdoor use, and reduce the risk of electric shock.

## **PERSONAL SAFETY**

1. **Do not overreach. Keep proper footing and balance at all times.** Proper footing and balance enables better control of the light in unexpected situations.
2. **Use safety equipment. Always wear eye protection.** Dust mask, nonskid safety shoes, hard hat, or hearing protection must be used for appropriate conditions. Always wear ANSI-approved safety goggles and a dust mask/respirator when performing maintenance on this light.

## **LIGHT USE AND CARE**

1. **Use the correct light for your application.** Do not use the light for a purpose for which it is not intended.
2. **Disconnect the Power Cord Plug from the power source before making any adjustments, changing accessories, or storing the light.** Such preventive safety measures reduce the risk of starting the light accidentally. **Always unplug the light from its electrical outlet before performing any inspection, maintenance, or cleaning procedures.**
3. **Store idle lights out of reach of children and other untrained persons.** Lights are dangerous in the hands of untrained users.

4. **Maintain lights with care.** Do not use a damaged light. Tag damaged lights “Do not use” until repaired.
5. **Check for misalignment or binding of moving parts, breakage of parts, and any other condition that may affect the light’s operation. If damaged, have the light serviced before using.** Many accidents are caused by poorly maintained lights.
6. **Use only accessories that are recommended by the manufacturer for your model.** Accessories that may be suitable for one light may become hazardous when used on another light.

## **SERVICE**

1. **Light service must be performed only by qualified repair personnel.** Service or maintenance performed by unqualified personnel could result in a risk of injury.
2. **When servicing a light, use only identical replacement parts. Follow instructions in the “*Inspection, Maintenance, And Cleaning*” section of this manual.** Use of unauthorized parts or failure to follow maintenance instructions may create a risk of electric shock or injury.

---

## **GROUNDING**

---

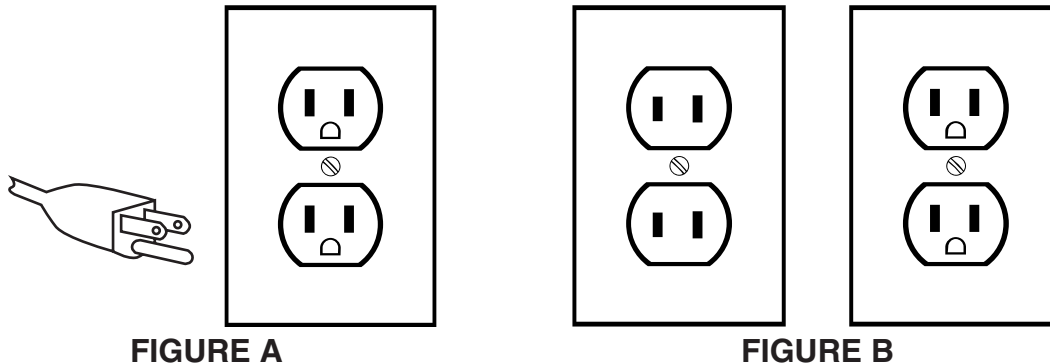
### **WARNING!**

**Improperly connecting the grounding wire can result in the risk of electric shock. Check with a qualified electrician if you are in doubt as to whether the outlet is properly grounded. Do not modify the power cord plug provided with the tool. Never remove the grounding prong from the plug. Do not use the tool if the power cord or plug is damaged. If damaged, have it repaired by a service facility before use. If the plug will not fit the outlet, have a proper outlet installed by a qualified electrician.**

### **GROUNDED LIGHTS: LIGHTS WITH THREE PRONG PLUGS**

1. Lights marked with “Grounding Required” have a three wire cord and three prong grounding plug. The plug must be connected to a properly grounded outlet. If the light should electrically malfunction or break down, grounding provides a low resistance path to carry electricity away from the user, reducing the risk of electric shock. **(See Figure A.)**
2. The grounding prong in the plug is connected through the green wire inside the cord to the grounding system in the light. The green wire in the cord must be the only wire connected to the light’s grounding system and must never be attached to an electrically “live” terminal. **(See Figure A.)**

3. Your light must be plugged into an appropriate outlet, properly installed and grounded in accordance with all codes and ordinances. The plug and outlet should look like those in the following illustration. **(See Figure A.)**



### **DOUBLE INSULATED LIGHTS: LIGHTS WITH TWO PRONG PLUGS**

1. Lights marked “Double Insulated” do not require grounding. They have a special double insulation system which satisfies OSHA requirements and complies with the applicable standards of Underwriters Laboratories, Inc., the Canadian Standard Association, and the National Electrical Code. **(See Figure B.)**
2. Double insulated lights may be used in either of the 120 volt outlets shown in the preceding illustration. **(See Figure B.)**

### **EXTENSION CORDS**




1. **Grounded** lights require a three wire extension cord. **Double Insulated** lights can use either a two or three wire extension cord.
2. As the distance from the supply outlet increases, you must use a heavier gauge extension cord. Using extension cords with inadequately sized wire causes a serious drop in voltage, resulting in loss of power and possible light damage. **(See Figure C, next page.)**
3. The smaller the gauge number of the wire, the greater the capacity of the cord. For example, a 14 gauge cord can carry a higher current than a 16 gauge cord. **(See Figure C.)**
4. When using more than one extension cord to make up the total length, make sure each cord contains at least the minimum wire size required. **(See Figure C.)**
5. If you are using one extension cord for more than one light, add the nameplate amperes and use the sum to determine the required minimum cord size. **(See Figure C.)**
6. If you are using an extension cord outdoors, make sure it is marked with the suffix “W-A” (“W” in Canada) to indicate it is acceptable for outdoor use.

7. Make sure your extension cord is properly wired and in good electrical condition. Always replace a damaged extension cord or have it repaired by a qualified electrician before using it.
8. Protect your extension cords from sharp objects, excessive heat, and damp or wet areas.

<b>RECOMMENDED MINIMUM WIRE GAUGE FOR EXTENSION CORDS*</b> <b>(120 OR 240 VOLT)</b>					
<b>NAMEPLATE AMPERES (at full load)</b>	<b>EXTENSION CORD LENGTH</b>				
	<b>25 Feet</b>	<b>50 Feet</b>	<b>75 Feet</b>	<b>100 Feet</b>	<b>150 Feet</b>
0 – 2.0	18	18	18	18	16
2.1 – 3.4	18	18	18	16	14
3.5 – 5.0	18	18	16	14	12
5.1 – 7.0	18	16	14	12	12
7.1 – 12.0	18	14	12	10	-
12.1 – 16.0	14	12	10	-	-
16.1 – 20.0	12	10	-	-	-

**FIGURE C** \* Based on limiting the line voltage drop to five volts at 150% of the rated amperes.

### SYMBOLOLOGY

	Double Insulated
	Canadian Standards Association
	Underwriters Laboratories, Inc.
V~	Volts Alternating Current
A	Amperes
n <sub>0</sub> xxxx/min.	No Load Revolutions per Minute (RPM)

---

## UNPACKING

---

When unpacking, check to make sure that the item is intact and undamaged. If any parts are missing or broken, please call Harbor Freight Tools at the number shown on the cover of this manual as soon as possible.

---

## SPECIFIC SAFETY RULES

---

**WARNING:** When using outdoor use portable lamps, basic safety precautions should always be followed to reduce the risk of fire, electric shock, and personal injury, including the following:

### READ ALL INSTRUCTIONS

Use only three-wire outdoor extension cords that have three-prong grounding plugs and grounding receptacles that accept the appliance's plug.

Ground Fault Circuit Interrupter (GFCI) protection should be provided on the circuit(s) or outlet(s) to be used for the wet location portable lamp. Receptacles are available having built-in GFCI protection and are able to be used for this measure of safety.

Use only with an extension cord for outdoor use, such as an extension cord of cord type SW, SW-A, SOW, SOW-A, STW, STWOA, STOW, STOW-A, SJW, SJW-A, SJOW, SJOW-A, SJTW, or SJTOW, SJTOW-A.

### SAVE THESE INSTRUCTIONS

---

## OPERATION INSTRUCTIONS

---

1. Press the Switch (16) once to turn the light on and again to turn the light off.
2. To adjust the angle of the Worklight, set the Worklight down and turn the round adjusting knob on the side of the Worklight counter-clockwise.
3. Once loosened, the body of the Worklight can be adjusted to move up or down. Turn the adjusting knob clockwise to the tighten the knob and lock the Worklight body in place.

### Bulb Replacement


1. Unplug the lamp and allow the bulb to cool completely.
2. Peel back the covers of the four Tap Screws (1) that are located on the top, bottom, right and left sides of the Lamp Cover (2).

3. Using a screwdriver (not included), unscrew the four 3 X 12 Tap Screws (1).
4. Remove the Lamp Cover (2), Sponge Strip (3), Rubber Ring (4) and then the Glass covering (5).
5. Unscrew the Lamp Tube (6) and remove from the body of the Worklight. Replace with a similar 25 watt fluorescent bulb set.
6. Put the Glass covering (5), Rubber Ring (4), Sponge Strip (3) and Lamp Cover (2) back into place. Then place the Lamp Cover (2) back into place and tighten with the four 3 X 12 Tap Screws (1).

---

## INSPECTION, MAINTENANCE, AND CLEANING

---

1.  **WARNING!** Make sure the Power Switch of the tool is in its "OFF" position, that the tool is unplugged from its electrical outlet, and that the bulb is allowed to cool completely before performing any inspection, maintenance, or cleaning procedures.
2. **BEFORE EACH USE**, inspect the general condition of the tool. Check for loose screws, misalignment or binding of moving parts, cracked or broken parts, damaged electrical wiring, and any other condition that may affect its safe operation. If abnormal noise or vibration occurs, have the problem corrected before further use. **Do not use damaged equipment.**

---

## WARRANTY

---



**CHICAGO**<sup>®</sup>  
**Electric**

**LIMITED 90 DAY  
WARRANTY**

Harbor Freight Tools Co. makes every effort to assure that its products meet high quality and durability standards, and warrants to the original purchaser that this product is free from defects in materials and workmanship for the period of ninety days from the date of purchase. This warranty does not apply to damage due directly or indirectly, to misuse, abuse, negligence or accidents, repairs or alterations outside our facilities, or to lack of maintenance. We shall in no event be liable for death, injuries to persons or property, or for incidental, contingent, special or consequential damages arising from the use of our product. Some states do not allow the exclusion or limitation of incidental or consequential damages, so the above limitation of exclusion may not apply to you. THIS WARRANTY IS EXPRESSLY IN LIEU OF ALL OTHER WARRANTIES, EXPRESS OR IMPLIED, INCLUDING THE WARRANTIES OF MERCHANTABILITY AND FITNESS.

To take advantage of this warranty, the product or part must be returned to us with transportation charges prepaid. Proof of purchase date and an explanation of the complaint must accompany the merchandise. If our inspection verifies the defect, we will either repair or replace the product at our election or we may elect to refund the purchase price if we cannot readily and quickly provide you with a replacement. We will return repaired products at our expense, but if we determine there is no defect, or that the defect resulted from causes not within the scope of our warranty, then you must bear the cost of returning the product.

This warranty gives you specific legal rights and you may also have other rights which vary from state to state.

**3491 Mission Oaks Blvd. • PO Box 6009 • Camarillo, CA 93011 • (800) 444-3353**



## PARTS LIST

Part	Description	Q'ty	Part	Description	Q'ty
1	Tap Screw 3 X 12	4	12	PVC Handle	1
2	Lamp Cover	1	13	Left and Right Handle	1
3	Sponge Strip	1	14	Cable Clip	1
4	Rubber Ring	1	15	Power Cord	1
5	Glass	1	16	Switch (include Cap and Seal Ring)	1
6	Lamp Tube	1	17	Seal Ring	2
7	Reflector	1	18	Screw	2
8	Tap Screw 3 X 14	2	19	Bracket	2
9	Fender	2	20	Plastic Connecting Pipe	2
10	Housing	1	21	Lamp Holder	1
11	Tap Screw 3 X 14	4			

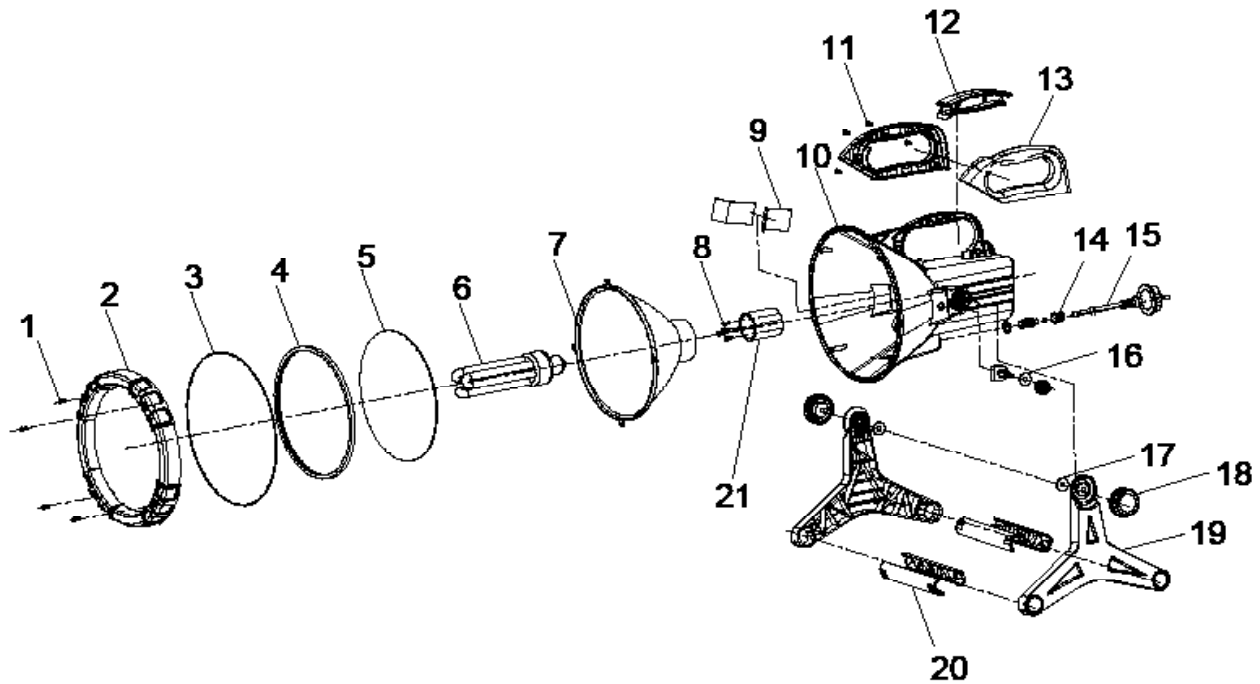
### PLEASE READ THE FOLLOWING CAREFULLY

**THE MANUFACTURER AND/OR DISTRIBUTOR HAS PROVIDED THE PARTS LIST AND ASSEMBLY DIAGRAM IN THIS MANUAL AS A REFERENCE TOOL ONLY. NEITHER THE MANUFACTURER OR DISTRIBUTOR MAKES ANY REPRESENTATION OR WARRANTY OF ANY KIND TO THE BUYER THAT HE OR SHE IS QUALIFIED TO MAKE ANY REPAIRS TO THE PRODUCT, OR THAT HE OR SHE IS QUALIFIED TO REPLACE ANY PARTS OF THE PRODUCT. IN FACT, THE MANUFACTURER AND/OR DISTRIBUTOR EXPRESSLY STATES THAT ALL REPAIRS AND PARTS REPLACEMENTS SHOULD BE UNDERTAKEN BY CERTIFIED AND LICENSED TECHNICIANS, AND NOT BY THE BUYER. THE BUYER ASSUMES ALL RISK AND LIABILITY ARISING OUT OF HIS OR HER REPAIRS TO THE ORIGINAL PRODUCT OR REPLACEMENT PARTS THERETO, OR ARISING OUT OF HIS OR HER INSTALLATION OF REPLACEMENT PARTS THERETO.**

---

## ASSEMBLY DIAGRAM

---



**Record Product's Serial Number Here:** \_\_\_\_\_

**Note:** If product has no serial number, record month and year of purchase instead.

**Note:** Some parts are listed and shown for illustration purposes only, and are not available individually as replacement parts.

# CHICAGO<sup>®</sup>

Electric

## LAMPE FLUORESCENTE PORTABLE

Modèle 94761

### MANUEL D'INSTRUCTIONS



#### **IMPORTANT!**

Cette édition de langue française est une traduction du manuel anglais original accompagnant ce produit. Si une partie du manuel anglais original est inconsistante avec cette traduction, le manuel anglais original gouvernera.

Du au développement et à l'amélioration continuels, le produit que vous avez acheté pourrait différer un peu de celui décrit ci-dessous.



3491 Mission Oaks Blvd., Camarillo, CA 93011

Visitez notre site Web : <http://www.harborfreight.com>

**AFIN D'ÉVITER TOUTE BLESSURE, AYEZ LU ET  
COMPRIS TOUTES LES AVERTISSEMENTS ET  
INSTRUCTIONS AVANT L'USAGE.**

**Pour vos questions ou pour des parties de remplacement, veuillez  
appeler 1-800-444-3353.**

---

## SPÉCIFICATIONS

---

Critère électrique	120 V~, 60 Hz
Ampoule fluorescente	25 watt Type CA-9
Cordon électrique	6' (L) ; fiche de deux fourchons
Mesures de la lampe	9-1/8" (dia.) x 10-1/2" (L)
Bouton	Bouton rond
Poids	4.5 livres (2 kilos)



### Gardez ce Manuel

Vous aurez besoin de ce manuel pour les précautions, l'assemblage, l'opération, l'inspection, les instructions de maintien et nettoyage, la liste des parties, et le tableau d'assemblage. Gardez votre reçu avec ce manuel et écrivez-en le numéro à la page une. Ecrivez le numéro de série de ce produit à la fin de ce manuel vers le tableau d'assemblage, ou s'il n'y a pas de numéro, écrivez le mois et l'an de l'achat. Ce manuel doit être préservé dans un endroit sec et sûr afin que vous puissiez vous y référer.

---

## RÈGLES DE SÉCURITÉ

---

 **ATTENTION!**

**LISEZ ET COMPRENEZ TOUTES LES INSTRUCTIONS**  
**Si les instructions notées ci-dessous ne sont pas suivies, le choc électrique, le feu ou la blessure grave pourraient se produire.**  
**GARDEZ CES INSTRUCTIONS**

### CHANTIER

1. **Le chantier doit être propre et bien illuminé.** Les établis en désordre et les lieux obscurs invitent l'accident.
2. **N'utilisez pas une lampe dans une atmosphère explosive, telle qu'en présence de liquides inflammables, de gazes ou de poussières.** Les lampes créent des étincelles qui pourraient mettre le feu aux poussières ou aux vapeurs.
3. **Eloignez les enfants et les invités lors de l'utilisation d'une lampe.** Les distractions pourraient causer une perte de contrôle. Abritez les autres au chantier du débris tels que des copeaux et des étincelles. Mettez des barrières ou des écrans protecteurs si nécessaires.

## **LE SÛRETÉ ÉLECTRIQUE**

1. **Les lampes mises à la terre doivent être branchés dans une prise électrique qui est installé correctement et mise à la terre selon les codes et ordonnances. Il ne faut jamais enlever le fourchon mis à la terre ni modifier la prise. N'utilisez pas de fiches adaptatrices. Consultez un électricien professionnel si vous doutez de la sûreté de la prise.** Si la lampe fonctionne mal ou subit une panne électrique, le fil mis à la terre sert de chemin de résistance minimum et amène l'électricité loin de l'utilisateur.
2. **Les lampes doublement isolées possède un fourchon polarisé (c'est-à-dire qu'un fourchon est plus grand que l'autre). Cette fiche ne rentrera dans une prise électrique polarisée que d'une façon. Si la fiche ne rentre pas bien dans la prise, essayez à nouveau dans le sens inverse. Si elle ne rentre toujours pas dedans, faites installer une prise polarisée par électricien professionnel. Ne modifiez la fiche d'aucune façon.** La double isolation élimine le besoin d'un cordon de trois fourchons mis à la terre et d'une source électrique mise à la terre.
3. **Évitez le contact corporel avec les surfaces mises à la terre telles que les tuyaux, les radiateurs, les cuisinières et les réfrigérateurs.** Vous risquez le choc électrique si votre corps est mis à la terre.
4. **N'abusez pas du cordon électrique. Ne vous servez jamais du cordon électrique pour porter les lampes ni pour débrancher la fiche de la prise électrique. Gardez le cordon loin de la chaleur, de l'huile, des tranchants, et des objets en mouvement. Remplacez immédiatement un cordon électrique qui est abîmé.** Les cordons électriques abîmés augmentent le risque de choc électrique.
5. **Lorsque vous utilisez la lampe dehors, serviez vous d'un cordon prolongateur marqué « W-A » ou « W ».** Ces cordons prolongateurs sont faits pour l'usage dehors et ils diminuent le risque de choc électrique.

## **LE SÛRETÉ PERSONNELLE**

1. **N'étendez pas trop les bras. Ayez les pieds bien sur le sol et gardez l'équilibre.** Le bon placement ferme des pieds permet de mieux contrôler la lampe lors des situations inattendues.
2. **Utilisez de l'équipement de sécurité. Mettez toujours des lunettes protectrices.** Un masque antipoussière, des chaussures anti-glisse, un casque de construction et la protection pour les oreilles doivent être employés lorsque les circonstances l'exigent. Portez toujours des lunettes de protection et un masque antipoussière lors du maintien de cette lampe.

## **EMPLOI ET MAINTIEN DE CETTE LAMPE**

1. **Utilisez la bonne lampe pour votre travail.** N'utilisez pas la lampe pour une fonction autre que celle pour laquelle elle a été conçue.

2. **Déconnectez la fiche électrique de la source électrique avant de faire des modifications, de changer d'accessoires ou stocker la lampe.** De telles mesures préventives diminuent le risque d'allumage accidentel. **Débranchez la lampe de la prise électrique avant d'inspecter, de maintenir ou de nettoyer la lampe.**
3. **Gardez les lampes hors de la portée des enfants et d'autres personnes non qualifiées.** Les lampes sont dangereuses entre les mains des utilisateurs non qualifiés.
4. **Maintenez les lampes avec soin.** N'utilisez pas une lampe abîmée. Marquez toute lampe abîmée « Ne pas utiliser » jusqu'à ce qu'elle soit réparée.
5. **Vérifiez l'alignement et l'adhésion des parties mobiles, et toute autre condition qui pourrait avoir un effet sur le fonctionnement normal de la lampe. Si la lampe est abîmée, faites-la examiner avant de l'utiliser.** Bien des accidents se produisent à cause des lampes mal maintenues.
6. **N'employez que des accessoires recommandés par le fabricant de votre produit.** Les accessoires pour une lampe peuvent devenir dangereux si on les emploie avec une autre lampe.

### SERVICE

1. **Le service d'une lampe ne doit se faire que par un réparateur qualifié.** Le service ou la maintient faits par une personne non qualifié risquent de causer des blessures.
2. **Lorsque vous réparez une lampe, n'utilisez que des parties de remplacement identiques.** Suivi les instructions dans la section « Inspection, maintient, et nettoyage » de ce manuel. Si vous utilisez d'autres parties non autorisées ou si vous ne suivez pas les instructions de maintient, le risque de décharge ou blessure pourrait se produire.

---

## MISE À LA TERRE

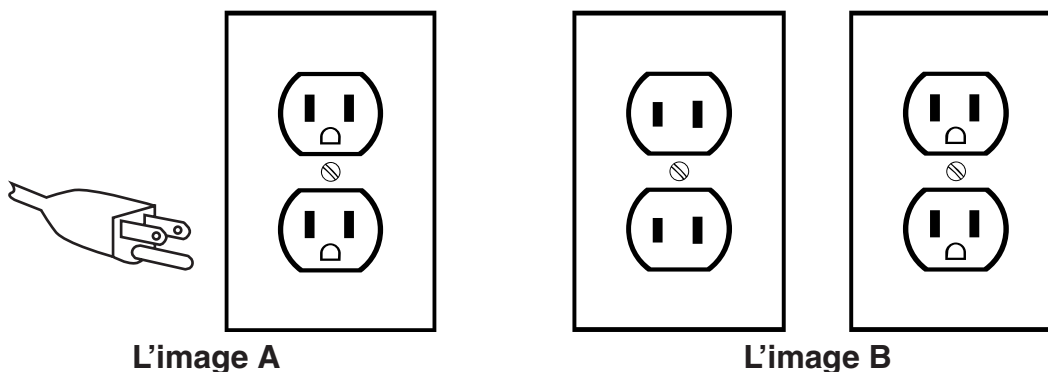
---

### ATTENTION!

**Une mauvaise connexion à la terre peut causer la décharge. Si vous n'êtes pas certain qu'une prise soit bien mise à la terre, consultez un électricien qualifié. Ne modifie d'aucune manière la fiche que vous avez reçue avec ce produit. N'enlevez jamais de la fiche le fourchon mis à la terre. N'utilisez pas cet outil si le cordon électrique est abîmé. S'il est abîmé, faites-le réparer par le fabricant avant de l'utiliser. Si la fiche ne rentre pas dans la prise, faites installer la bonne prise par un électricien qualifié.**

## LAMPES MISES À TERRE : LAMPES AVEC FICHES DE TROIS FOURCHONS

1. Les lampes avec l'étiquette « Mise à terre obligatoire » ont un cordon de trois fils et une fiche mise à la terre de trois fourchons. La fiche doit se brancher à une prise bien mise à la terre. Si la lampe fonctionne mal ou subit une panne électrique, le fil mis à la terre sert de chemin de résistance minimum et mène l'électricité loin de l'utilisateur. **(Voir l'Image A.)**
2. Le fourchon mis à la terre est lié à un fil vert qui traverse le cordon électrique et qui va jusqu'au système de mise à la terre dans la lampe. Le fil vert dans le cordon doit être le seul fil lié au système mise à la terre de la lampe et il ne doit jamais se connecter à une borne sous tension. **(Voir l'Image A.)**
3. Votre lampe doit se brancher dans une prise qui correspond à la fiche et qui est bien installée et mise à la terre selon les codes et ordonnances. La fiche et prise devraient ressembler à celles dans l'image suivante. **(Voir l'Image A.)**



## LAMPES DOUBLEMENT ISOLÉES : LAMPES AVEC FICHES DE DEUX FOURCHONS

1. Les lampes avec l'étiquette « Doublement isolée » ne requièrent pas de fil mis à la terre. Elles possèdent un système spécial de double isolation conforme aux exigences de OSHA et qui est en harmonie avec les critères des Underwriters Laboratories, Inc., de la Canadian Standard Association et le National Electrical Code. **(Voir l'image B.)**
2. Les lampes doublement isolées peuvent se brancher à n'importe quelle des deux prises sur l'image ci-dessus. **(Voir l'image B.)**

## CORDONS PROLONGATEURS

1. Pour les lampes **mises à la terre**, il vous faut un cordon prolongateur de trois fils. Les lampes **doublement isolées** peuvent s'employer avec un cordon prolongateur de deux fils ou de trois fils.
2. À mesure que la lampe s'éloigne de la prise électrique, vous devez utiliser un cordon prolongateur d'un plus fort calibre. Un cordon de calibre insuffisant cause une perte




importante de voltage, ce qui entraîne une perte d'électricité et éventuellement des dommages à la lampe. **(Voir l'image C.)**

3. Plus la chiffre de calibre est petite, plus le cordon a de capacité. Par exemple, un cordon de calibre 14 est capable de transmettre un courant électrique plus élevé qu'un cordon de calibre 16. **(Voir l'image C.)**
4. Si vous employez plusieurs cordons prolongateurs pour connecter votre lampe à la prise, rassurez-vous que chaque cordon contient au moins le calibre minimum requis. **(Voir l'image C.)**
5. Si vous n'utilisez qu'un cordon prolongateur pour plusieurs lampes, additionnez les ampères de toutes lampes et servez-vous de la somme pour déterminer la taille minimum du cordon. **(Voir l'image C.)**
6. Pour l'utilisation dehors, rassurez-vous que le cordon soit marqué par le suffixe « W-A » (« W au Canada »), ce qui indiquerait que le cordon peut s'employer dehors.
7. Vérifiez l'installation et l'état du cordon prolongateur. Avant d'utiliser un cordon prolongateur abîmé, il faut toujours le remplacer ou le faire réparer par un électricien qualifié.
8. Protégez vos cordons prolongateurs des objets tranchants, de la chaleur excessive et des lieux moites ou mouillés.

<b>CALIBRE DE FIL MINIMUM RECOMMANDÉ POUR CORDONS PROLONGATEURS (120 OU 240 VOLT)</b>					
<b>AMPÈRES (à complet)</b>	<b>LONGUEUR DE CORDON PROLONGATEUR</b>				
	<b>25 Pieds</b>	<b>50 Pieds</b>	<b>75 Pieds</b>	<b>100 Pieds</b>	<b>150 Pieds</b>
0 – 2.0	18	18	18	18	16
2.1 – 3.4	18	18	18	16	14
3.5 – 5.0	18	18	16	14	12
5.1 – 7.0	18	16	14	12	12
7.1 – 12.0	18	14	12	10	-
12.1 – 16.0	14	12	10	-	-
16.1 – 20.0	12	10	-	-	-
<b>IMAGE C</b>	<b>*Où on limite la perte de voltage à cinq volts à 150% des ampères.</b>				



## **SYMBOLOLOGIE**

	Doublement isolé
	Canadian Standards Association
	Underwriters Laboratories, Inc.
V~	Volts (AC)
A	Ampères
n <sub>0</sub> xxxx/min.	Révolutions par minute

---

## **DÉSEMBALLAGE**

---

Lors du désemballage, rassurez-vous que le produit soit complet et indemne. S'il manque des parties ou s'il y a des parties abîmées, téléphonez à Harbor Freight Tools en composant le numéro de téléphone qui se trouve sur la couverture de ce manuel dès que possible.

---

## **RÈGLES DE SÉCURITÉ SPÉCIFIQUES**

---

**ATTENTION:** Afin de mieux éviter le feu, la décharge et la blessure lorsque vous utilisez des lampes portables dehors, il faut suivre les précautions de sécurité de base, y compris:

---

## **LISEZ TOUTES LES INSTRUCTIONS**

---

N'utilisez que les cordons prolongateurs qui ont des fiches de trois fourchons mis à la terre dans lesquelles la fiche du produit rentre bien.

Les disjoncteurs de fuite à la terre (DDFT) devraient être présents sur les circuits et les prises pour la lampe pour les lieux moites. Les prises électriques à DDFT sont disponibles et peuvent s'utiliser pour cette mesure préventive.

N'utilisez qu'avec un cordon prolongateur pour l'utilisation extérieure, tel que le type SW, SW-A, SOW, SOW-A, STW, STWOA, STOW, STOW-A, SJW, SJW-A, SJOW, SJOW-A, SJTW ou SJTOW, SJTOW-A.

---

## **GARDEZ CES INSTRUCTIONS**

---

---

## MODE D'EMPLOI

---

1. Appuyez sur le bouton (16) une fois pour allumer la lampe et encore une fois pour éteindre la lampe.
2. Pour ajuster l'angle de la lampe, posez la lampe ou tournez le bouton rond d'ajustement sur le côté de la lampe en sens inverse des aiguilles d'une montre.
3. Une fois desserré, le corps de la lampe peut s'ajuster de haut en bas et vice versa. Tournez le bouton rond d'ajustement dans le sens des aiguilles d'une montre afin de le serrer et de tenir le corps de la lampe en place.


### Remplacement De L'ampoule

1. Débranchez la lampe et laissez l'ampoule se refroidir complètement.
2. Détachez les couvertures des quatre vis (1) qui se trouve en haut, en bas, à la droite et à gauche de la couverture de la lampe (2).
3. En employant un tournevis (non inclus), serrez les quatre 3x12 vis (1).
4. Enlevez la couverture de lampe (2), la bande éponge (3), l'anneau en caoutchouc et puis la couverture en verre (5).
5. Desserrez le plomb de lampe (6) et enlevez-le du corps de la lampe. Remplacez avec une autre ampoule fluorescente de 25 watts, semblable à celle que remplacez.
6. Remettez la couverture en verre (5), l'anneau en caoutchouc (4), la bande éponge (3) et la couverture de lampe (2) en place. Ensuite, serrez la couverture de lampe (2) avec les 4 vis 3x12 (1).

---

## INPECTION, MAINTIENT ET NETTOYAGE

---

1.  **ATTENTION !** Rassurez-vous que l'interrupteur soit dans la position « OFF » (« ETEINT »), que l'outil soit débranché de la prise et que l'ampoule ait eu assez de temps de se refroidir complètement avant d'inspecter, de maintenir ou de nettoyer.
2. **AVANT CHAQUE USAGE**, examinez l'état général de l'outil. Rassurez-vous qu'il n'y ait pas de vis desserrées, de mauvais alignement des parties mobiles, de parties abîmées ou cassées, de fils abîmés ou d'autres circonstances qui pourrait avoir un effet sur le fonctionnement normal de la lampe. S'il y a un bruit anormal ou des vibrations, faites résoudre le problème avant de continuer l'utilisation.  
**N'utilisez pas d'équipement abîmé.**

---

## GARANTIE

---



---

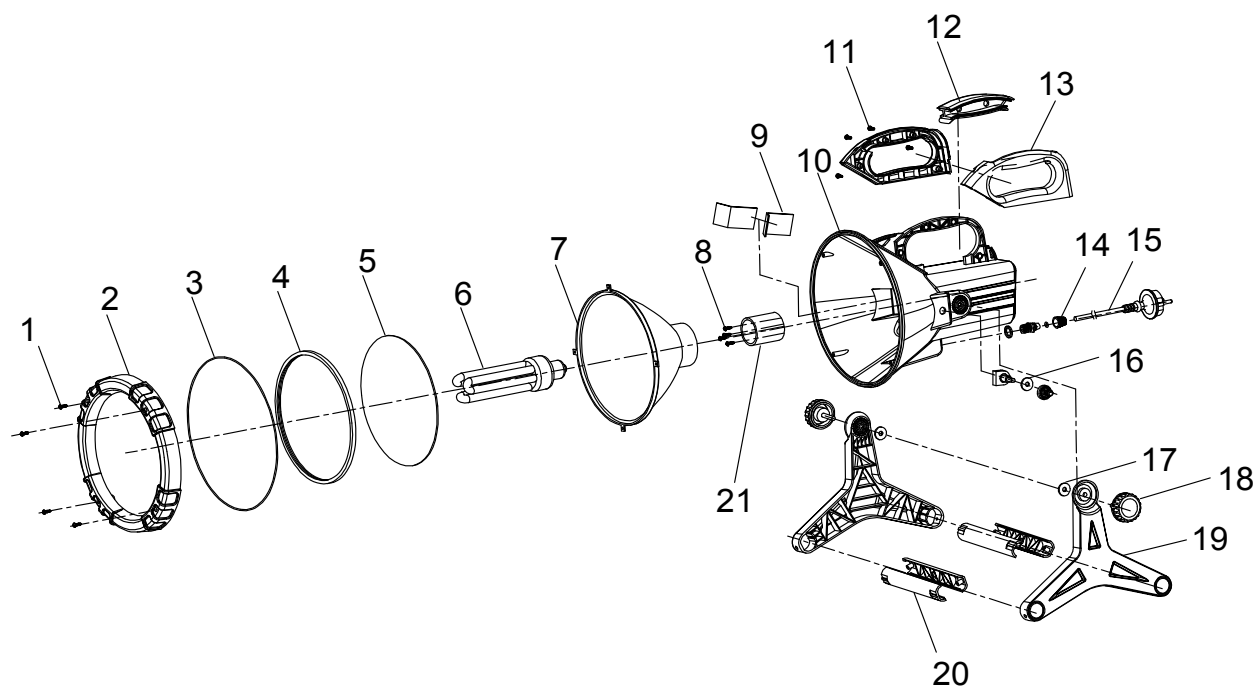
## LISTE DES PARTIES

---

Partie	Description	Q'té
1	Vis 3x12	4
2	Couverture de lampe	1
3	Bande éponge	1
4	Anneau en caoutchouc	1
5	Vitre	1
6	Plomb de Lampe	1
7	Réflecteur	1
8	Vis 3x14	2
9	Aile	2
10	Cadre	1
11	Vis 3x14	4

Partie	Description	Q'té
12	Poignée PVC	1
13	Poignée droite et gauche	1
14	Attache-câble	1
15	Cordon électrique	1
16	Bouton (y compris couverture)	1
17	Cachet	2
18	Vis	2
19	Support	2
20	Plomb connecteur en plastique	2
21	Support de lampe	1

## TABLEAU D'ASSEMBLAGE



Écrivez le numéro de série ici: \_\_\_\_\_

**Note:** Si le produit n'a pas de numéro de série, écrivez plutôt le moi et l'an de l'achat.

**Note:** Certaines parties montrées ci-dessus ne sont sur le dessin que pour illustrer et ne sont pas disponible individuellement comme partie de remplacement.

## LISEZ ATTENTIVEMENT CE QUI SUIT

LE FABRICANT ET-OU LE DISTRIBUTEUR A FOURNI LA LISTE DE PIÈCES ET LE DIAGRAMME DE MONTAGE DANS CE MANUEL COMME UN INSTRUMENT DE RÉFÉRENCE SEULEMENT. AUCUN LE FABRICANT OU LE DISTRIBUTEUR FONT N'IMPORTE QUELLE REPRÉSENTATION OU GARANTIE DE N'IMPORTE QUELLE SORTE À L'ACHETEUR QU'IL OU ELLE EST AUTORISÉ POUR FAIRE N'IMPORTE QUELLES RÉPARATIONS AU PRODUIT, OU QU'IL OU ELLE EST AUTORISÉ POUR REMPLACER N'IMPORTE QUELLES PIÈCES DU PRODUIT. EN FAIT, LE FABRICANT ET-OU LE DISTRIBUTEUR DÉCLARE EXPRESSÉMENT QUE TOUTES LES RÉPARATIONS ET LES REMPLACEMENTS DE PIÈCES DEVRAIENT ÊTRE ENTREPRIS PAR LES TECHNICIENS DIPLOMÉS ET AGRÉÉS ET PAS PAR L'ACHETEUR. L'ACHETEUR SUPPOSE TOUT LE RISQUE ET LA RESPONSABILITÉ SURVENANT DU FAIT DE SES RÉPARATIONS AU PRODUIT ORIGINAL OU AUX PIÈCES DÉTACHÉES Y, OU SURVENANT DU FAIT DE SON INSTALLATION DE PIÈCES DÉTACHÉES Y.

## Free Manuals Download Website

<http://myh66.com>

<http://usermanuals.us>

<http://www.somanuals.com>

<http://www.4manuals.cc>

<http://www.manual-lib.com>

<http://www.404manual.com>

<http://www.luxmanual.com>

<http://aubethermostatmanual.com>

Golf course search by state

<http://golfingnear.com>

Email search by domain

<http://emailbydomain.com>

Auto manuals search

<http://auto.somanuals.com>

TV manuals search

<http://tv.somanuals.com>