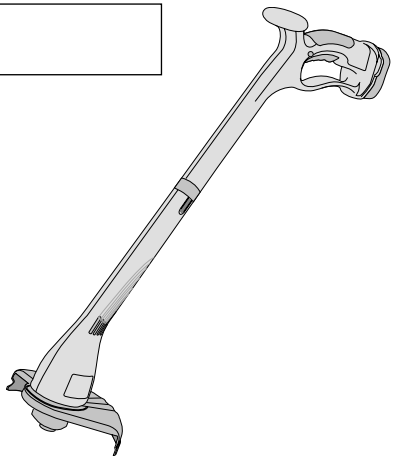




# Cordless 14.4 Volt Trimmer

## INSTRUCTION MANUAL

Date Code:



CST500

BEFORE RETURNING THIS PRODUCT FOR ANY REASON PLEASE CALL  
**1-800-544-6986**

IF YOU SHOULD EXPERIENCE A PROBLEM WITH YOUR BLACK & DECKER PRODUCT, CALL **1-800-544-6986**

BEFORE YOU CALL, HAVE THE FOLLOWING INFORMATION AVAILABLE, CATALOG No., TYPE No., AND DATE CODE (e.g. 0130M). IN MOST CASES, A BLACK & DECKER REPRESENTATIVE CAN RESOLVE YOUR PROBLEM OVER THE PHONE. IF YOU HAVE A SUGGESTION OR COMMENT, GIVE US A CALL. YOUR FEEDBACK IS VITAL TO BLACK & DECKER.

### KEY INFORMATION YOU SHOULD KNOW:

- Charge battery for 9 hours before first use. For more information see "CHARGING THE POWER PACK".
- The guard must be installed before trimming - if not, the motor will overheat, and void your warranty.
- To operate the trimmer, the lock off button must first be pushed in, so the trigger can be activated.
- When replacing the line, use only 0.065" diameter ROUND line - otherwise the unit may not function properly.

SAVE THIS MANUAL FOR FUTURE REFERENCE

Cat No. CST500  
Copyright © 2003 Black & Decker

Form No. 616080-00

JAN. '03  
Printed in China



### WARNING: IMPORTANT SAFETY WARNINGS AND INSTRUCTIONS

**WARNING:** When using electric gardening appliances, basic safety precautions should always be followed to reduce risk of fire, electric shock, and personal injury, including the following.

**WARNING:** Some dust created when using lawn and garden power tools contains chemicals known to cause cancer, birth defects and other reproductive harm.

- Some examples of these chemicals are:
- crystalline silica from sand, bricks and other masonry dust
  - arsenic and chromium from chemically treated lumber (CCA)
  - compounds in fertilizers
  - compounds in insecticides, herbicides and pesticides

Health risk from these chemical exposures varies, depending on the environment in which you are working and how often you do this type of work. To reduce your exposure to these chemicals, follow product label instructions to apply chemicals such as fertilizers, insecticides, herbicides or pesticides. When using these tools, wear safety equipment such as gloves and dust masks which are especially designed to filter out microscopic particles.

**WARNING:** Wear appropriate personal hearing protection during use. Under some conditions and duration of use, noise from this product may contribute to hearing loss.

### READ ALL INSTRUCTIONS

#### TO REDUCE RISK OF INJURY:

- Before any use, be sure everyone using this tool reads and understands all safety instructions and other information contained in this manual.
- Save these instructions and review frequently prior to use and in instructing others.



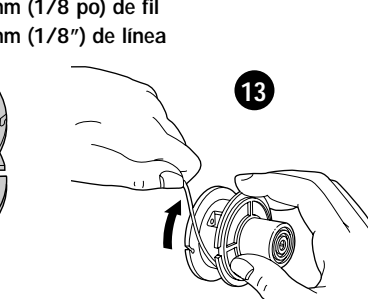
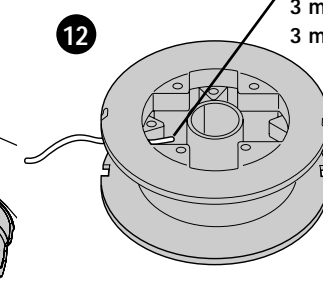
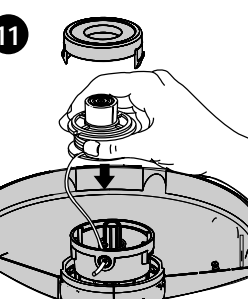
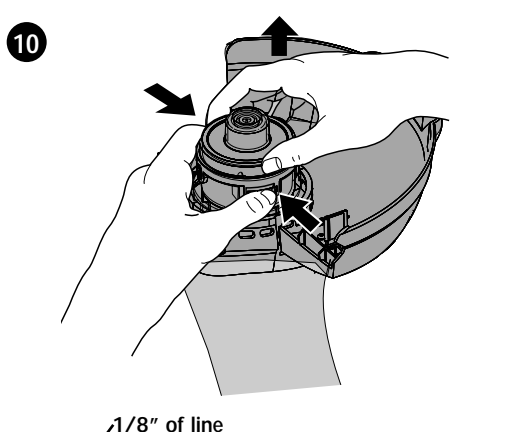
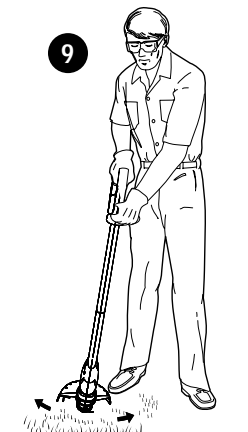
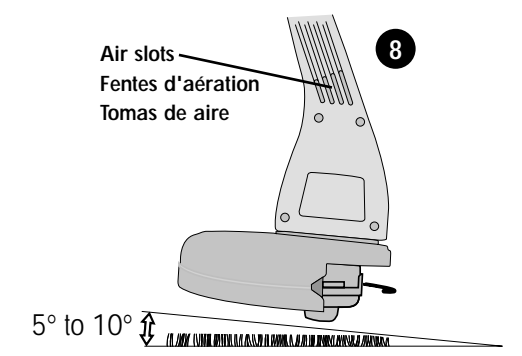
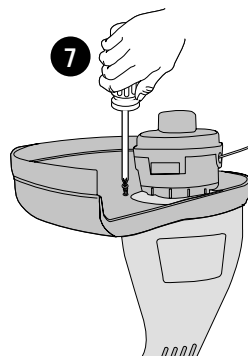
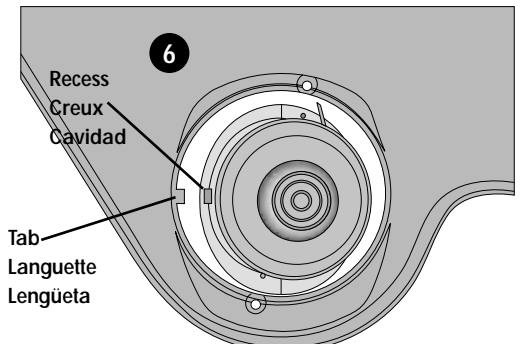
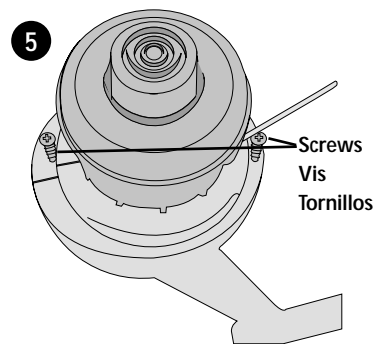
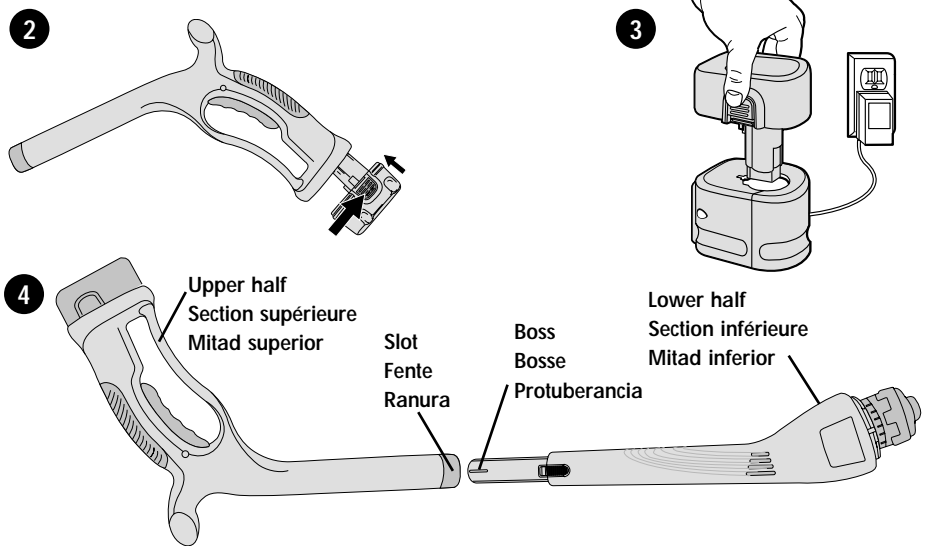
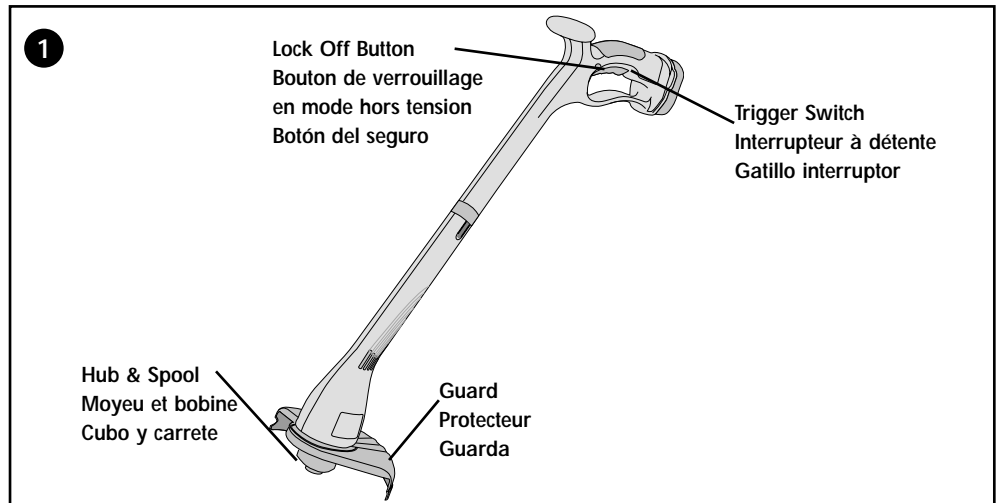
### GENERAL SAFETY WARNINGS AND INSTRUCTIONS FOR ALL TOOLS

- **ALWAYS WEAR EYE PROTECTION** - Wear safety glasses or goggles at all times when this appliance is in use. Safety glasses are available at extra cost at your local Black & Decker Service Center or authorized service facility. Always use face or dust mask if operation is dusty.
- **GUARD** - Do not use this appliance without guard properly attached.
- **DRESS PROPERLY** - Do not wear loose clothing or jewelry. They can be caught in moving parts. Rubber gloves and substantial rubber soled footwear are recommended when working outdoors. Don't operate the appliance when barefoot or wearing open sandals. Wear long pants to protect your legs. Wear protective hair covering to contain long hair.
- **NYLON LINE** - Keep face, hands and feet clear of rotating cutting line at all times.
- **THE ROTATING LINE PERFORMS A CUTTING FUNCTION** - Use care when trimming around screens, fences and desirable plantings.
- **KEEP CHILDREN AWAY** - All visitors should be kept at safe distance from work area.
- **IMPORTANT WARNING** - When being used stones, pieces of metal and other objects can be thrown out at high speed by the line. The tool and guard are designed to reduce the danger. However, the following special precautions should be taken:
  - **WARNING:** Make sure that other persons and pets are at least 100 ft. (30.5m) away.
  - **WARNING:** To reduce the risk of rebound (ricochet) injury, work going away from any nearby solid object such as a wall, steps, large stone, tree, etc. Use great care when working close to solid objects, and, where necessary, do trimming by hand.
- **AVOID ACCIDENTALLY STARTING** - Don't carry appliance with finger on trigger.
- **DO NOT FORCE THE APPLIANCE** - It will do the job better and with less likelihood of a risk of injury at the rate for which it was designed.
- **USE THE RIGHT APPLIANCE** - Do not use this appliance for any job except that for which it is intended.
- **DON'T OVERREACH** - Keep proper footing and balance at all times.
- **DAMAGE TO APPLIANCE** - If you strike or become entangled with a foreign object, stop tool

immediately, check for damage and have any damage repaired before further operation is attempted. Do not operate with a broken hub or spool.

- **AVOID DANGEROUS ENVIRONMENTAL CONDITIONS** - Do not use electric appliances in damp or wet locations. Don't use the appliance in the rain.
- **DO NOT OPERATE** trimmer/edgers in gaseous or explosive atmospheres. Motors in these appliances normally spark, and the sparks might ignite fumes.
- **STORE IDLE APPLIANCES INDOORS** - When not in use, appliances should be stored indoors in a dry locked-up place out of reach of children.
- **STAY ALERT** - Watch what you are doing. Use common sense. Do not operate appliance when you are tired.
- **MAINTAIN TRIMMER WITH CARE** - To reduce the risk of injury, follow instructions for lubricating and changing accessories. Keep handles dry, clean, and free from oil and grease.
- **CHECK DAMAGED PARTS** - Check for alignment of moving parts, binding of moving parts, breakage of parts, mounting, and any other condition that may affect its operation. Before further use of the appliance, a guard or other part that is damaged should be repaired or replaced by an authorized service center unless otherwise indicated elsewhere in this manual.
- **REMOVE BATTERY** before servicing, cleaning or removal of debris from string trimmer.
- **FOR HOUSEHOLD USE ONLY.**
- **KEEP GUARDS IN PLACE AND IN WORKING ORDER.**
- **KEEP HANDS AND FEET AWAY FROM CUTTING AREA.**
- **DO NOT CHARGE APPLIANCE IN RAIN OR IN WET LOCATIONS.**

### SAVE THESE INSTRUCTIONS

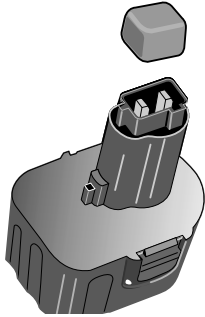


The label on your tool may include the following symbols.

V .....	volts	A .....	amperes
Hz .....	hertz	W .....	watts
min .....	minutes	~ .....	alternating current
==== .....	direct current	n <sub>o</sub> .....	no load speed
□ .....	Class II Construction	⊕ .....	earthing terminal
⚠ .....	safety alert symbol	.../min .....	revolutions per minute

#### BATTERY CAP INFORMATION

Battery storage and carrying caps are provided for use whenever the battery is out of the tool or charger. Remove cap before placing battery in charger or tool.



**⚠ WARNING:** Do not store or carry battery so that metal objects can contact exposed battery terminals. For example, do not place battery in aprons, pockets, tool boxes, product kit boxes, drawers, etc. with loose nails, screws, keys, etc. without battery cap. Without cap in place, battery could short circuit causing fire or burns or damage to battery.

#### CHARGING THE POWER PACK

THE BATTERIES IN YOUR POWER PACK ARE NOT FULLY CHARGED AT THE FACTORY. BEFORE ATTEMPTING TO CHARGE THEM, THOROUGHLY READ ALL OF THE SAFETY INSTRUCTIONS. The charger is designed to use standard household 120 volt 60 Hz power.

1. Remove the power pack from the tool by squeezing the tabs as shown in Figure 2.
2. Plug the charger into any standard 120 Volt 60 Hz electrical outlet.
3. Insert the power pack into the charger (Fig. 3) and let the battery charge initially for 9 hours. After the initial charge, under normal usage, your power pack should be fully charged in 3 to 6 hours.
4. Remove pack from the charger and replace in tool.

#### Important Charging Notes

1. After normal usage, your power pack should be fully charged in 3 to 6 hours. If the power pack is run-down completely, it may take up to 8 hours to become fully charged. Your power pack was sent from the factory in an uncharged condition. Before attempting to use it, it must be charged for at least 9 hours.
2. DO NOT charge the power pack in an air temperature below 40°F (5°C) or above 105°F (41°C). This is important and will prevent serious damage to the power pack. Longest life and best performance can be obtained if the power pack is charged when the air temperature is about 75°F (25°C).
3. While charging, the charger may hum and become warm to touch. This is a normal condition and does not indicate a problem.
4. If the power pack does not charge properly — (1) Check current at receptacle by plugging in a lamp or other appliance. (2) Check to see if receptacle is connected to a light switch which turns power off when you turn out the lights. (3) Move charger and power pack to a surrounding air temperature of 40°F (5°C) to 105°F (41°C). (4) If the receptacle and temperature are ok, and you do not get proper charging, take or send the power pack and charger to your local authorized service center. See "Tools Electric" in yellow pages.
5. The power pack should be recharged when it fails to produce sufficient power on jobs which were easily done previously. DO NOT CONTINUE to use the trimmer with its power pack in a depleted condition.
6. To prolong power pack life, avoid leaving the power pack on charge for more than 8 hours. Although overcharging is not a safety concern, it can significantly reduce overall power pack life.
7. When the battery is inserted into the charger, the red "Charging Indicator" light will come on indicating that there is contact between the battery and charger. The light will stay on as long as the battery is in the charger and the charger is plugged into a working outlet. It WILL NOT flash, go out or change to a different color when the charging cycle is complete.
8. Do not charge power pack in rain or in wet conditions.
9. Use only the batteries and charger supplied with your string trimmer or identical replacement parts.
10. Do not incinerate the batteries. They can explode in a fire. A small leakage of liquid from the battery cells may occur under extreme usage, charging or temperature conditions. This does not indicate a failure. However, if the outer seal is broken and this leakage gets on your skin:
  - a. Wash quickly with soap and water.
  - b. Neutralize with a mild acid such as lemon juice or vinegar.
  - c. If the battery liquid gets in your eyes, flush them with clean water for a minimum of 10 minutes and seek immediate medical attention. MEDICAL NOTE: The liquid is a 25-35% solution of potassium hydroxide.
11. Do not open or mutilate the batteries. Released electrolyte is corrosive and may cause damage to the eyes or skin. It may be toxic if swallowed.
12. Exercise care when handling batteries in order not to short the battery with conducting materials such as rings, bracelets and keys. The battery or conductor may overheat and cause burns.
13. Use only the following type and size battery: **PS140 Power Pack - 14.4V.**

**SAVE THESE INSTRUCTIONS**

#### ASSEMBLY INSTRUCTIONS

• **⚠ WARNING:** The guard must always be on the tool to protect the user and the tool.

#### UNIT ASSEMBLY

Layout the unit as shown in figure 4. Align the 3 raised ribs on the lower half with the 3 slots on the upper half and slide the two halves together until they snap into place. The unit should now be rigidly secured.

#### GUARD ASSEMBLY

Remove the two screws from the housing shown in figure 5. Align the tab on the guard with the recess at the bottom of the lower half housing as shown in figure 6. Push the guard down onto the housing and ensure that it is fully seated. Re-insert the two screws through the guard and into the trimmer housing and tighten as shown in figure 7.

NEVER OPERATE THE TOOL WITHOUT THE GUARD PROPERLY IN PLACE. Use of the unit without having installed the guard will cause the motor to overheat, and void the warranty.

#### OPERATING INSTRUCTIONS

• **⚠ CAUTION: ALWAYS WEAR EYE PROTECTION.**

• **⚠ CAUTION:** Inspect area to be trimmed and remove any wire, cord, or string-like objects which could become entangled in the rotating line or spool. Be particularly careful to avoid any wire which might be bent outwardly into the path of the tool, such as barbs at the base of a chain link fence.

- To turn trimmer on, push the lock off button, shown in Figure 1, and squeeze the trigger switch. To turn the tool off, release the trigger switch.
- Angle unit as shown in figure 8.
- Slowly swing trimmer side-to-side as shown in Figure 9.

#### CUTTING LINE / LINE FEEDING

Your trimmer only uses .065" (1.65 mm) diameter, ROUND nylon line to cut grass and weeds quickly and easily. During use, the tip of the nylon line will become frayed and worn. Gently bump the feed head of the trimmer on the ground to release a fresh length of line. Cutting line will wear faster and require more feeding if the cutting is done along sidewalks or other abrasive surfaces or heavier weeds are being cut.

#### CLEARING JAMS AND TANGLED LINES

From time to time, especially when cutting thick or stalky weeds, the line feeding hub may become clogged with sap or other material and the line will become jammed as a result. To clear the jam, follow the steps listed below.

1. Remove battery and turn the unit upside down.
2. Press the release tabs on the line hub cover and remove by pulling it straight off (Figure 10).
3. Lift the spool of nylon line out of the hub and clear any broken line or cutting debris from the spool area. (If you plan to replace the spool or rewind it, this is the place to do so, other wise, move on.)
4. Unwrap about one foot (30 cm) of line to ensure that it's undamaged. If it is okay, rewind it and insert the line end through the eyelet in the spool hub as shown in figure 11. Ensure the spring is in place under the spool. Pull the line through the hole to maintain tension while placing the spool down into the hub with the arrow up, as shown in figure 11.
5. Press the spool down GENTLY on the spring and rotate it until you feel it drop into place. Take care to keep the line from becoming trapped under the spool.
6. Snap the hub cap back on. Hold the tool in the trimming position, and turn the tool on. In a few seconds or less you'll hear the nylon line being cut to the proper length; if not, bump the feed head gently on the ground to initiate a fresh length of line.

#### SPOOL OR LINE REPLACEMENT (Use 0.065" diameter ROUND line only.)

1. Remove battery and turn the unit upside down.
2. Press the release tabs on the line hub cap, as shown in Figure 10 and remove the cap by pulling upward.
3. Remove the spool from the tool and remove and discard all line on spool.
4. Choose either OPTION 1 or OPTION 2 below for spool or line replacement.
5. Insert the line end through the eyelet in the spool hub, as shown in figure 11. Ensure the spring is in place under the spool. Pull the line through the hole to tighten tension while placing the spool down into the hub, as shown in Figure 11.
6. Press the spool down GENTLY on the spring and rotate it until you feel it drop into place. Take care to keep the line from becoming trapped under the spool.
7. Snap the hub cap back on holder with the tool in the trimming position, turn the tool on. In a few seconds or less you'll hear the nylon line being cut to the proper length; if not bump the feed head gently on the ground to release a fresh length of line.

#### OPTION 1: ACCESSORY REPLACEMENT SPOOL

Use replacement spool Model No. RS-136.

#### OPTION 2: REWINDING SPOOL USING BULK LINE

Bulk line for your trimmer is available at extra cost from your local dealer or Black & Decker Service Center. To install bulk line, follow the steps below. (Use 0.065" DIAMETER ROUND LINE ONLY.)

1. Insert one end of the bulk line into the hole in the spool as shown in Figure 12 about 1/8" (3.2mm).
2. Snugly and evenly wind the bulk line onto the spool in the direction of the arrow on the spool, (figure 13), until the line builds up to the notches in the spool rim. Do not overfill spool. The spool holds about 20 feet (6 m) of line.

#### MAINTENANCE

##### CLEANING AND STORAGE

1. Keep the air intake slots (Figure 8) clean to avoid overheating.
2. Your trimmer line can dry out over time. To keep your line in top condition, store spare prewound spools or bulk line in a plastic, sealable bag with a tablespoon of water.
3. Plastic parts may be cleaned by using a mild soap and a damp rag.
4. DO NOT immerse tool in water or squirt it with a hose. DO NOT allow any liquid to get inside it.
5. Do not store the tool on or adjacent to fertilizers, gasoline, or other chemicals.
6. DO NOT clean with a pressure washer.
7. The line cutter on the edge of the guard can dull over time. It is recommended you periodically touch-up the sharpness of the blade with a file.

##### ACCESSORIES

- Reload nylon line (either bulk or prewound replacement spool) as shown in this manual. Use Black & Decker Replacement spool, Model No. RS-136.
- USE ONLY 0.065" (1.65 mm) diameter ROUND monofilament trimmer line. Do not use heavier gauge line, as it will overload the motor and cause overheating. The unit functions properly only with 0.065" diameter ROUND monofilament line. This line is available at your local dealer or Black & Decker Service Center.

**⚠ WARNING:** The use of any accessory not sold by Black & Decker for use with this tool could be hazardous.

**IMPORTANT:** To assure product SAFETY AND RELIABILITY, repairs should be performed by a Black & Decker or other qualified service personnel, using only identical replacement parts.

##### THE RBRC™ SEAL

The RBRC™ (Rechargeable Battery Recycling Corporation) Seal on the nickel-cadmium battery (or battery pack) indicates that the costs to recycle the battery (or battery pack) at the end of its useful life have already been paid by Black & Decker. In some areas, it is illegal to place spent nickel-cadmium batteries in the trash or municipal solid waste stream and the RBRC program provides an environmentally conscious alternative.

RBRC in cooperation with Black & Decker and other battery users, has established programs in the United States and Canada to facilitate the collection of spent nickel-cadmium batteries. Help protect our environment and conserve natural resources by returning the spent nickel-cadmium battery to an authorized Black & Decker service center or to your local retailer for recycling. You may also contact your local recycling center for information on where to drop off the spent battery, or call

**1-800-8-BATTERY.**

##### SERVICE INFORMATION

Black & Decker offers a full network of company-owned and authorized service locations throughout North America. All Black & Decker Service Centers are staffed with trained personnel to provide customers with efficient and reliable power tool service.

Whether you need technical advice, repair, or genuine factory replacement parts, contact the Black & Decker location nearest you. To find your local service location, refer to the yellow page directory under "Tools—Electric" or call: **1-800-544-6986.**

##### FULL TWO-YEAR HOME USE WARRANTY

Black & Decker (U.S.) Inc. warrants this product for two years against any defects in material or workmanship. The defective product will be replaced or repaired at no charge in either of two ways:

The first, which will result in exchanges only, is to return the product to the retailer from whom it was purchased (provided that the store is a participating retailer). Returns should be made within the time period of the retailer's policy for exchanges (usually 30 to 90 days after the sale). Proof of purchase may be required. Please check with the retailer for their specific return policy regarding returns that are beyond the time set for exchanges.

The second option is to take or send the product (prepaid) to a Black & Decker owned or authorized service center for repair or replacement at our option. Proof of purchase may be required. Black & Decker owned and authorized service centers are listed under "Tools-Electric" in the yellow pages of the phone directory.

This warranty does not apply to accessories. This warranty gives you specific legal rights and you may have other rights which vary from state to state. Should you have any questions, contact the manager of your nearest Black & Decker Service Center.

This tool is not intended for commercial use.

Imported by  
Black & Decker (U.S.) Inc.,  
701 E. Joppa Rd.  
Towson, MD 21286 U.S.A.



See "Tools-Electric"  
- Yellow Pages -  
for Service & Sales



# Coupe-bordure sans fil de 14,4 volts

## GUIDE D'UTILISATION

Modèle CST500

AVANT DE RETOURNER LE PRODUIT, PEU IMPORTE  
LA RAISON, PRIÈRE DE COMPOSER LE

1 800 544-6986

### RENSEIGNEMENTS IMPORTANTS

- Charger l'ensemble de piles pendant neuf heures avant la première utilisation. Consulter la rubrique relative au chargement du bloc-pile pour obtenir de plus amples renseignements.
- Le protecteur doit être installé avant d'utiliser le coupe-bordure. Sinon, le moteur surchauffera et cela annulera la garantie.
- Pour actionner le coupe-bordure, il faut d'abord enfoncer le bouton de verrouillage en mode hors tension afin de pouvoir activer la détente.
- Lors du remplacement du fil, utiliser seulement du fil ROND de 1,65 mm (0,065 po) de diamètre. Sinon, l'appareil risque de ne pas fonctionner convenablement.

CONSERVER LE PRÉSENT GUIDE À TITRE DE RÉFÉRENCE.



#### AVERTISSEMENT : IMPORTANTES MESURES DE SÉCURITÉ

- ⚠ **AVERTISSEMENT** : Lorsqu'on utilise un outil de jardinage, il faut toujours respecter certaines règles de sécurité fondamentales afin de minimiser les risques d'incendie, de secousses électriques ou de blessures, notamment les suivantes.
- ⚠ **AVERTISSEMENT** : Le produit génère de la poussière qui peut renfermer des produits chimiques. Ces produits chimiques peuvent causer le cancer ainsi que des malformations congénitales, et ils présentent d'autres dangers au système reproductif humain. Voici des exemples de tels produits chimiques :
  - la silice cristalline provenant du sable, des briques et autres poussières de maçonnerie.
  - l'arsenic et le chrome provenant de bois traité.
  - les composés d'engrais;
  - les composés d'insecticides, d'herbicides et de pesticides.

L'exposition à de tels produits chimiques présente des risques qui varient en fonction de l'environnement de travail et du degré d'exposition aux produits. Afin de minimiser l'exposition à de tels produits, respecter les consignes des étiquettes lorsqu'on utilise des engrais, des insecticides, des herbicides ou des pesticides. Lors de l'utilisation de tels produits, porter de l'équipement de sécurité comme des gants et des masques antipoussières spécialement conçu pour filtrer les particules microscopiques.

- ⚠ **MISE EN GARDE** : Porter un dispositif approprié de protection de l'ouïe lors de l'utilisation du produit. Dans certaines conditions et durées d'utilisation, le produit peut émettre un niveau de bruit provoquant la perte de l'ouïe.

#### LIRE TOUTES LES DIRECTIVES.

#### AFIN DE RÉDUIRE LES RISQUES DE BLESSURES :

- Avant toute utilisation, s'assurer que tous ceux qui se servent de l'outil lisent et comprennent toutes les mesures de sécurité et tout autre renseignement contenu dans le présent guide.
- Conserver ces mesures et les relire fréquemment avant d'utiliser l'outil et d'en expliquer le fonctionnement à d'autres personnes.

#### ⚠ AVERTISSEMENT : IMPORTANTES MESURES DE SÉCURITÉ POUR TOUS LES OUTILS

- **TOUJOURS PORTER DES LUNETTES DE SÉCURITÉ.** – Porter de lunettes de sécurité en tout temps lorsque l'outil est branché. Les lunettes de sécurité sont vendues séparément aux centres de service Black & Decker ou aux ateliers d'entretien autorisés. Toujours porter un masque respiratoire si le travail génère de la poussière.
- **PROTECTEUR** – Ne pas utiliser l'outil lorsque le protecteur n'est pas en place.
- **PORTER DES VÊTEMENTS APPROPRIÉS.** – Éviter de porter des vêtements amples et des bijoux qui peuvent être happés par les pièces en mouvement. Il est conseillé de porter des gants en caoutchouc et des chaussures robustes à semelle en caoutchouc lorsqu'on travaille à l'extérieur. Ne pas se servir de l'outil pieds nus ou lorsqu'on porte des sandales ouvertes. Porter des pantalons pour se protéger les jambes. Protéger la chevelure si elle longue.
- **FIL DE NYLON** – Éloigner en tout temps le visage, les mains et les pieds du fil en mouvement.
- **LE FIL ROTATIF SERT À COUPER.** – Manipuler l'outil avec soin autour de moustiquaires, de clôtures et de plantes à conserver.
- **ÉLOIGNER LES ENFANTS.** – S'assurer que tous les observateurs se trouvent à une distance sûre de la zone de coupe.
- **AVERTISSEMENT IMPORTANT** – Lorsque l'outil sert à tailler le rebord des pelouses, le fil peut projeter des pierres, des morceaux de métaux ou tout autre objet à grande vitesse. L'outil et le protecteur sont conçus pour minimiser ce risque. Il faut toutefois prendre les mesures de précaution suivantes.
- ⚠ **AVERTISSEMENT** : S'assurer que les observateurs et les animaux domestiques se trouvent à plus de 30,5 m (100 pi) de la zone de coupe.
- ⚠ **AVERTISSEMENT** : Afin de réduire les risques de blessures dues aux rebonds (ricochets), manipuler l'outil en s'éloignant de tout objet comme un mur, des marches, une grosse roche ou un arbre. Prendre garde lorsqu'on coupe près d'un tel objet et, le cas échéant, tailler la bordure à la main.
- **ÉVITER LES DÉMARRAGES ACCIDENTELS.** – Ne pas transporter l'outil avec le doigt sur l'interrupteur.
- **NE JAMAIS FORCER L'OUTIL.** – Utiliser l'outil à son rendement nominal afin d'obtenir un meilleur rendement à moindre risque de blessures.
- **UTILISER L'OUTIL APPROPRIÉ.** – Utiliser l'outil seulement aux fins pour lesquelles il a été conçu.
- **NE PAS DÉPASSER SA PORTÉE.** – Toujours demeurer dans une position stable et garder son équilibre.
- **OUTIL ENDOMMAGÉ** – Lorsque l'outil frappe un corps étranger ou s'y coince, le mettre immédiatement hors tension, en vérifier l'état et le faire réparer au besoin avant de le réutiliser. Ne pas se servir de l'outil lorsque la bobine ou le moyeu sont brisés.
- **ÉVITER LES CONDITIONS AMBIANTES DANGEREUSES.** – Ne pas se servir d'outils électriques dans des endroits humides ou mouillés. Ne pas se servir de l'outil sous la pluie.
- **NE PAS UTILISER** des outils électriques portatifs dans des endroits renfermant des vapeurs inflammables ou explosives. Les étincelles que produit le moteur en marche pourraient enflammer ces produits.
- **RANGER LES OUTILS INUTILISÉS À L'INTÉRIEUR** dans un endroit sec, fermé à clé, hors de la portée des enfants.
- **DEMEURER VIGILANT.** Travailler avec vigilance et faire preuve de bon sens. Ne pas se servir de l'outil lorsqu'on est fatigué.
- **PRENDRE SOIN DES OUTILS.** Afin de minimiser les risques de blessures, respecter les consignes relatives à la lubrification et au remplacement des accessoires. S'assurer que les poignées sont toujours propres, sèches et libres de toute tache d'huile ou de graisse.
- **VÉRIFIER LES PIÈCES ENDOMMAGÉES.** Avant de continuer à utiliser l'outil, il faut vérifier l'alignement et les attaches des pièces mobiles, le degré d'usure des pièces et leur montage, ainsi que tout autre facteur susceptible de nuire au bon fonctionnement de l'outil. Faire réparer ou remplacer tout protecteur ou toute autre pièce endommagée dans un centre de service autorisé, sauf indication contraire dans le présent guide.
- **RETIRER LE BLOC-PILE** avant de nettoyer l'outil, d'en enlever des débris ou d'en faire l'entretien.
- **UTILISATION DOMESTIQUE SEULEMENT.**
- **S'ASSURER QUE LES PROTECTEURS SONT EN PLACE ET EN ÉTAT DE FONCTIONNEMENT.**
- **ÉLOIGNER LES MAINS ET LES PIEDS DE LA ZONE DE COUPE.**
- **NE PAS CHARGER L'OUTIL SOUS LA PLUIE NI DANS DES ENDROITS MOUILLÉS.**

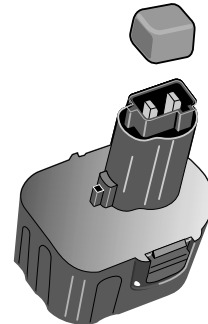
#### CONSERVER CES MESURES.

On peut voir les symboles suivants sur l'étiquette de l'outil.

V .....	volts	A .....	ampères
Hz .....	hertz	W .....	watts
min .....	minutes	~ .....	courant alternatif
==== .....	courant continu	n <sub>0</sub> .....	régime à vide
☐ .....	construction de classe II	⊕ .....	borne de mise à la terre
⚠ .....	avertissement relatif à la sécurité	.../min .....	tours à la minute

#### INFORMATION RELATIVE AU CAPUCHON DU BLOC-PILE

Un capuchon est fourni avec le bloc-pile en vue d'être utilisé chaque fois qu'on retire ce dernier de l'outil ou du chargeur en vue de le ranger ou de le transporter; enlever le capuchon avant de remettre le bloc-pile dans le chargeur ou dans l'outil.



- ⚠ **AVERTISSEMENT** : S'assurer, au moment de ranger ou de transporter le bloc-pile, qu'aucun objet métallique n'entre en contact avec les bornes à découvert du bloc-pile. Par exemple, il faut éviter de placer un bloc-pile sans capuchon dans un tablier, une poche, une à outils, un tiroir ni à tout autre endroit contenant des objets tels que des clous, des vis ou des clés, car le bloc-pile pourrait causer un court-circuit et s'endommager, ou risquer de provoquer des brûlures ou un incendie.

#### CHARGEMENT DU BLOC-PILE

LE BLOC-PILE N'EST PAS COMPLÈTEMENT CHARGÉ EN USINE. LIRE TOUTES LES DIRECTIVES RELATIVES AU CHARGEMENT AVANT DE LE CHARGER.

- Le chargeur est conçu pour utiliser une tension domestique standard de 120 volts, 60 Hz.
1. Retirer le bloc-pile de l'outil en le serrant de la manière illustrée à la figure 3.
  2. Brancher le chargeur dans une prise standard de 120 volts, 60 Hz.
  3. Insérer le bloc-pile dans le chargeur (fig. 3) et laisser le bloc-pile sous charge pendant neuf heures avant la première utilisation. Par la suite, dans des conditions d'utilisation normale, le bloc-pile devrait être chargé en trois à six heures.
  4. Retirer le bloc-pile du chargeur et l'insérer dans l'outil.

#### Notes importantes relatives au chargement

1. Après une utilisation normale, le chargement complet du bloc-pile de 3 à 6 heures. Lorsque le bloc-pile est complètement à plat, cela peut prendre jusqu'à 8 heures. Le bloc-pile n'est pas chargé à sa sortie de l'usine. Avant de s'en servir, il faut donc le charger pendant au moins 9 heures.
2. NE PAS charger le bloc-pile lorsque la température ambiante est inférieure à 5 °C (40 °F) ou supérieure à 41 °C (105 °F). Cette mesure est importante et elle prévient de graves dommages aux blocs-piles. On optimise la durée et le rendement du bloc-pile lorsqu'on le charge à une température ambiante d'environ 25 °C (75 °F).
3. Le chargeur peut émettre des sons et devenir chaud au toucher pendant le chargement. Cette situation est normale et ne pose aucun problème.
4. Lorsque le bloc-pile n'est pas bien chargé, (1) vérifier l'alimentation de la prise en y branchant une lampe ou un autre appareil. (2) Vérifier si la prise est reliée à un interrupteur pour l'éclairage qui met la prise hors circuit lorsqu'on éteint les lumières. (3) Déplacer le bloc-pile et le chargeur dans un endroit où la température ambiante se situe entre 5 °C (40 °F) et 41 °C (105 °F). (4) Si le problème persiste, il faut confier le bloc-pile et le chargeur au centre de service Black & Decker de la région. Consulter la rubrique «Outils électriques» des Pages Jaunes.
5. Il faut charger la pile lorsqu'elle ne fournit plus la puissance nécessaire pour effectuer les tâches avec autant de facilité qu'auparavant. NE PLUS SE SERVIR de l'outil lorsque le bloc-pile est à plat.
6. Pour prolonger la durée de la pile, éviter de laisser l'outil en chargement pendant plus de 8 heures. Même si le chargement continu ne pose aucun problème, cela peut grandement diminuer la durée du bloc-pile.
7. Lorsqu'on insère le bloc-pile dans l'outil, le témoin rouge de chargement s'allume indiquant le contact entre le bloc-pile et le chargeur. Le témoin reste allumé tant que le bloc-pile se trouve dans le chargeur et que le chargeur est branché. Le témoin NE clignote PAS, NE s'éteint PAS ni NE change PAS de couleur à la fin du cycle de chargement.
8. Ne pas charger l'ensemble de piles sous la pluie ni dans des conditions mouillées.
9. Utiliser seulement le bloc-pile et le chargeur fournis avec le coupe-bordure ou des pièces de rechange identiques.
10. Ne pas incinérer les piles. La chaleur des flammes peut les faire exploser. Il peut se produire une légère fuite du liquide excitateur des piles dans des conditions extrêmes. Toutefois, si ce liquide atteint la peau,
  - a. laver immédiatement à l'eau et au savon, ou;
  - b. neutraliser à l'aide d'un acide doux comme du jus de citron ou du vinaigre.
- c. Si le liquide excitateur atteint les yeux, rincer immédiatement à l'eau claire pendant au moins dix minutes et consulter un médecin. NOTE AU MÉDECIN : Il s'agit d'une solution d'hydrogène de potassium à 20-35 p. 100.
11. Ne pas ouvrir ni mutiler les piles. L'électrolyte qui s'en échapperait est corrosif et peut occasionner des blessures aux yeux ou sur la peau. L'ingestion de ce produit est également toxique.
12. Prendre soin de ne pas court-circuiter les piles lorsqu'on les manipule avec des matériaux conducteurs comme des bagues, des bracelets et des clés. La pile ou le conducteur peut surchauffer et provoquer des brûlures.
13. Utiliser seulement le type suivant de piles. Ensemble de piles, modèle PS140, de 14,4 V.

#### CONSERVER CES MESURES.

#### DIRECTIVES RELATIVES AU MONTAGE

- ⚠ **AVERTISSEMENT** : Le protecteur doit toujours être en place afin de protéger l'utilisateur.

#### MONTAGE DE L'APPAREIL

Disposer l'appareil de la façon illustrée à la figure 4. Aligner les trois bosses de la section inférieure sur les trois fentes de la section supérieure et faire glisser les deux sections l'une dans l'autre jusqu'à ce qu'elles s'enclenchent en place. L'appareil devrait être maintenant rigide.

#### MONTAGE DU PROTECTEUR

Retirer les deux vis du boîtier (fig. 5). Aligner la languette du protecteur sur le creux au bas du boîtier inférieur (fig. 6). Pousser le protecteur vers le bas sur le boîtier en s'assurant qu'il est bien au fond. Réinsérer les deux vis dans le protecteur et le boîtier, puis serrer (fig. 7). NE JAMAIS UTILISER L'APPAREIL SANS LE PROTECTEUR EN PLACE. L'utilisation de l'appareil sans le protecteur en place entraînera une surchauffe du moteur et cela annulera la garantie.

#### FONCTIONNEMENT

- ⚠ **MISE EN GARDE** : TOUJOURS PORTER DES LUNETTES DE SÉCURITÉ.

- ⚠ **MISE EN GARDE** : Inspecter le secteur et enlever tout objet (comme des cordes et des fils de fer) qui risque de se coincer dans le fil ou la bobine. Porter une attention particulière aux bouts de fil de fer (p. ex., la base d'une clôture à mailles en losange) qui pourraient être pliés et se trouver sur le passage de l'outil.
- Pour actionner le coupe-bordure, enfoncer le bouton de verrouillage (fig. 1), puis enfoncer l'interrupteur à détente. Pour arrêter l'outil, relâcher l'interrupteur à détente.
- Incliner l'appareil de la façon illustrée (fig. 8).
- Imprimer à l'outil un lent mouvement latéral de va-et-vient (fig. 9).

#### ALIMENTATION DU FIL

Le coupe-bordure utilise du fil de nylon ROND de 1,65 mm (0,065 po) de diamètre pour couper l'herbe et les mauvaises herbes rapidement et aisément. Pendant l'utilisation, le bout du fil s'use

et s'effiloche. Frapper légèrement la tête de l'appareil contre le sol afin de l'alimenter en fil. Bien entendu, le fil s'use plus rapidement lorsqu'on taille le rebord des pelouses ou d'autres surfaces abrasives et lorsqu'on coupe des mauvaises herbes tenaces.

#### BLOPAGE ET FIL EMMÊLÉ

Il arrive parfois que le moyeu se bloque surtout lorsque l'herbe est haute ou imposante; cela bloque alors le fil. Pour dégager le fil et le moyeu, faire ce qui suit.

1. Retirer le bloc-pile et renverser l'outil.
2. Enfoncer les pattes de dégagement du couvercle du moyeu (fig. 10) et retirer le couvercle en le tirant hors de l'outil.
3. Retirer le moyeu et dégager tout morceau de fil cassé ou tout autre débris. (On peut également remplacer la bobine ou rembobiner le fil à ce moment.)
4. Dérouler environ 30 cm (1 pi) de fil afin de s'assurer qu'il n'est pas endommagé. Lorsque le fil est bon, l'enrouler et en insérer l'extrémité dans l'œillet du moyeu (fig. 11). S'assurer que le ressort est en place sous le moyeu. Sortir le fil du trou afin de maintenir la tension alors qu'on replace la bobine dans le moyeu avec la flèche vers le haut (fig. 11).
5. Enfoncer la bobine DOUCEMENT sur le ressort et la faire tourner jusqu'à ce qu'elle s'enclenche en place. Éviter de coincer le fil sous la bobine.
6. Réenclencher le couvercle du moyeu en place. Tenir l'outil en position de coupe et remettre l'outil sous tension. Au bout de quelques secondes, on entend la coupe automatique du fil à la longueur appropriée.

#### REMPACEMENT DE LA BOBINE OU DU FIL ROND (Utiliser seulement du fil de 1,65 mm (0,065 po) de diamètre.)

1. Retirer le bloc-pile et renverser l'outil.
2. Enfoncer les pattes de dégagement du couvercle du moyeu (fig. 10) et retirer le couvercle en le tirant hors de l'outil.
3. Retirer la bobine de l'outil. Enlever et jeter tout fil qui reste dans la bobine.
4. Choisir l'OPTION 1 ou 2 plus bas pour remplacer la bobine ou le fil.
5. Insérer l'extrémité dans l'œillet du moyeu (fig. 11). S'assurer que le ressort est en place sous le moyeu. Sortir le fil du trou afin de maintenir la tension alors qu'on replace la bobine dans le moyeu avec la flèche vers le haut (fig. 11).
6. Enfoncer DOUCEMENT la bobine sur le ressort et la faire tourner jusqu'à ce qu'elle s'enclenche en place. Éviter de coincer le fil sous la bobine.
7. Réenclencher le couvercle du moyeu en place. Tenir l'outil en position de coupe et remettre l'outil sous tension. Au bout de quelques secondes, on entend la coupe automatique du fil à la longueur appropriée.

#### OPTION 1 : BOBINE DE RECHANGE

Utiliser une bobine de rechange, modèle RS-136.

#### OPTION 2 : REBOBINAGE DE FIL EN VRAC

On peut se procurer en sus du fil en vrac chez les détaillants et au centre de service de la région. Faire ce qui suit pour installer le fil en vrac (utiliser seulement du FIL ROND de 1,65 mm (0,065 po) de diamètre).

1. Insérer environ 3,2 mm (1/8 po) d'une extrémité du fil en vrac dans le trou de la bobine (fig. 12)
2. Enrouler fermement et uniformément le fil dans la bobine dans le sens indiqué par la flèche (fig. 13) jusqu'à ce que la bobine soit presque pleine. Éviter de trop la remplir. La bobine renferme environ 6 m (20 pi) de fil.

### ENTRETIEN

#### NETTOYAGE ET RANGEMENT

1. S'assurer que les fentes d'aération (fig. 8) sont propres pour éviter une surchauffe.
2. Le fil peut sécher à la longue. Pour éviter les contre-temps, conserver des bobines de rechange ou du fil en vrac dans des sacs en plastique scellables avec une cuillère à table d'eau.
3. On peut nettoyer les pièces en plastique avec un chiffon humide et un savon doux.
4. NE PAS immerger l'appareil ni arroser celui-ci. NE laisser AUCUN liquide s'infiltrer dans l'appareil.
5. Ne pas ranger l'appareil sur des fertilisants, de l'essence ni tout autre produit chimique, ni le ranger près de tels produits.
6. NE PAS nettoyer l'appareil avec un appareil sous pression.
7. La lame pour le fil peut s'émousser à la longue. Il est conseillé de l'affûter régulièrement à l'aide d'une lime.

#### ACCESSOIRES

- Rembobiner le fil de nylon (en vrac ou dans une bobine chargée de rechange) de la façon indiquée dans le présent guide. Utiliser une bobine de rechange, modèle RS-136, de Black & Decker.
- UTILISER SEULEMENT DU FIL MONOFILAMENT ROND DE NYLON DE 1,65 mm (0,065 po) DE DIAMÈTRE.

On peut se procurer le fil chez les détaillants et au centre de service de la région.

**AVERTISSEMENT :** L'utilisation de tout accessoire non recommandé pour l'outil peut être dangereuse. **IMPORTANT :** Pour assurer la SÉCURITÉ D'EMPLOI et la FIABILITÉ de l'outil, n'en confier la réparation, l'entretien et les rajustements (y compris l'inspection et le remplacement des balais) qu'à un centre de service ou à un atelier d'entretien autorisé n'utilisant que des pièces de rechange identiques.

#### LE SCEAU RBRC<sup>MC</sup>

Le sceau RBRC<sup>MC</sup> de la pile au nickel-cadmium indique que Black & Decker défraie le coût du recyclage de la pile à la fin de sa durée utile. Le programme RBRC<sup>MC</sup> offre une solution de rechange pratique à la mise au rebut des piles au nickel-cadmium usées, que ce soit à la poubelle ou dans le système municipal car cette mise au rebut est illégale à certains endroits.



L'organisme RBRC en collaboration avec Black & Decker et d'autres utilisateurs de piles a mis sur pied des programmes aux États-Unis: et au Canada afin de faciliter la collecte des piles au nickel-cadmium usées. Pour aider à préserver l'environnement et à conserver les ressources naturelles, il suffit de retourner les piles au nickel-cadmium usées à un centre de service Black & Decker ou chez le détaillant de la région pour qu'elles soient recyclées. On peut également communiquer avec le centre de recyclage de la région afin de savoir où déposer les piles usées, ou composer sans frais le 1 800 822-8837.

\*RBRC<sup>MC</sup> est une marque de commerce de l'organisme américain Rechargeable Battery Recycling Corporation.

#### RENSEIGNEMENTS RELATIFS AU SERVICE

Black & Decker exploite un réseau complet de centres de service et d'ateliers d'entretien autorisés pour toute l'Amérique du Nord. Le personnel de tous les centres de service Black & Decker a reçu la formation voulue pour assurer l'entretien efficace et fiable des outils électriques. Pour obtenir des renseignements d'ordre technique, des conseils relatifs aux réparations ou des pièces de rechange d'origine, communiquer avec le centre de service Black & Decker de la région.

On peut trouver l'adresse du centre de service de la région dans l'annuaire des Pages Jaunes à la rubrique «Outils électriques» ou en composant le numéro suivant : 1 800 544-6986.

#### GARANTIE COMPLÈTE DE DEUX ANS POUR UTILISATION DOMESTIQUE

Black & Decker garantit le produit pour une période de deux ans contre les vices de matière ou de fabrication. Le produit défectueux sera réparé ou remplacé sans frais conformément à l'une des conditions suivantes.

Pour échanger l'outil, il suffit de le retourner au détaillant (si le détaillant participe au programme d'échange rapide Black & Decker). Le retour doit être effectué dans les délais impartis par la politique de retour du détaillant (habituellement entre 30 et 90 jours suivant la date d'achat). Le détaillant peut exiger une preuve d'achat. Prière de vérifier la politique de retour du détaillant au-delà des délais impartis. On peut également retourner l'outil (port payé) à un centre de service Black & Decker ou à tout autre atelier d'entretien accrédité pour y être remplacé ou réparé, à notre gré. On peut exiger une preuve d'achat. Les adresses des centres de service Black & Decker se trouvent à la rubrique "Outils électriques" des Pages Jaunes. La présente garantie ne vaut pas pour les accessoires. Les modalités de la présente garantie donnent des droits légaux spécifiques. L'utilisateur peut également se prévaloir d'autres droits selon l'état ou la province qu'il habite. Pour obtenir de plus amples renseignements, communiquer avec le directeur du centre de service Black & Decker de la région.

Le produit n'est pas conçu pour un usage commercial.

Importé par  
Black & Decker Canada Inc.  
100 Central Ave.  
Brockville (Ontario) K6V 5W6

Voir la rubrique "Outils électriques"  
des Pages Jaunes  
pour le service et les pièces de rechange.



Download from www.Somanuals.com. All Manuals Search And Download.

## Desbrozadora inalámbrica de 14.4 volts

# MANUAL DE INSTRUCCIONES

CST500

ANTES DE DEVOLVER ESTE PRODUCTO POR CUALQUIER MOTIVO POR FAVOR LLAME

(55)5326-7100

### INFORMACIÓN CLAVE QUE DEBE SABER:

- Cargue la batería durante 9 horas antes del primer uso. Para mayor información, CONSULTE "CARGA DE LA BATERÍA".
- La guarda debe estar instalada antes de recortar - si no, el motor se sobrecalentará e invalidará su garantía.
- Para operar la desbrozadora, debe oprimir el botón del seguro de apagado primero, para poder accionar el gatillo.
- Para reemplazar la línea, utilice únicamente línea REDONDA de 0,065" (1,65 mm) de diámetro - de otra manera, la unidad puede no funcionar correctamente.

CONSERVE ESTE MANUAL PARA REFERENCIAS FUTURAS

### ⚠️ ADVERTENCIA: ADVERTENCIAS E INSTRUCCIONES IMPORTANTES DE SEGURIDAD

- ⚠️ **ADVERTENCIA:** Siempre que utilice aparatos eléctricos de jardinería debe seguir ciertas precauciones básicas de seguridad, a fin de reducir los riesgos de incendio, choque eléctrico y lesiones personales, entre las que se encuentran las siguientes.
- ⚠️ **ADVERTENCIA:** Parte del polvo creado al utilizar herramientas eléctricas de jardinería contiene químicos que se consideran como causantes de cáncer, defectos congénitos u otros daños reproductivos. Algunos ejemplos de estos químicos son:
  - sílice cristalino de arena, ladrillos y otros polvos de albañilería
  - arsénico y cromo de madera tratada químicamente (CCA)
  - compuestos en fertilizantes
  - compuestos en insecticidas, herbicidas y pesticidas

Los riesgos a la salud derivados de la exposición a estos químicos varía dependiendo del ambiente en el que usted trabaje y la frecuencia con la que efectúe estos trabajos. Para reducir su exposición a estos químicos, siga las instrucciones señaladas en la etiqueta del producto para aplicar productos tales como fertilizantes, insecticidas, herbicidas o pesticidas. Cuando use estas herramientas, utilice equipo de seguridad como guantes y máscaras contra polvo diseñadas específicamente para filtrar partículas microscópicas.

⚠️ **ADVERTENCIA:** Emplee la protección personal y auditiva adecuada durante el uso de este producto. Bajo ciertas condiciones y duración de uso, el ruido producido por este producto puede contribuir a la pérdida auditiva.

### LEA TODAS LAS INSTRUCCIONES

#### PARA REDUCIR EL RIESGO DE LESIONES:

- Antes de cualquier uso, asegúrese que cualquier persona que vaya a utilizar esta herramienta lea y comprenda todas las instrucciones de seguridad y la información contenida en este manual.
- Conserve estas instrucciones y repáselas con frecuencia antes de usar la herramienta e instruir a otras personas.



### ADVERTENCIAS E INSTRUCCIONES GENERALES DE SEGURIDAD PARA TODAS LAS HERRAMIENTAS

- **SIEMPRE UTILICE PROTECCION PARA LOS OJOS** – Utilice anteojos o gafas de seguridad siempre que utilice este aparato. Los anteojos de seguridad los encuentra a su disposición con costo extra en el centro de servicio autorizado Black & Decker de su localidad. Utilice una mascarilla contra polvo si la operación que va a realizar lo produce.
- **GUARDA** – No utilice este aparato sin tener la guarda instalada.
- **VISTASE APROPIADAMENTE** – No utilice prendas de vestir flojas ni artículos de joyería. Pueden quedar atrapados en las piezas móviles. Se recomienda el uso de guantes de goma y calzado de seguridad con suela de goma para el trabajo a la intemperie. No utilice el aparato con los pies descalzos o cuando calce sandalias abiertas. Vista pantalones largos para proteger sus piernas. Cúbrase el cabello si lo tiene largo.
- **LÍNEA DE NYLON** – Conserve siempre cara, manos y pies alejados de la línea giratoria.
- **LA LÍNEA GIRATORIA DESEMPEÑA UNA FUNCION DE CORTE** – Tenga cuidado al podar alrededor de mallas y plantas que desee conservar.
- **CONSERVE APARTADOS A LOS NIÑOS** – Todos los visitantes deben permanecer a distancia segura del área de trabajo.
- **ADVERTENCIA IMPORTANTE** – Cuando se utilice, piedras, piezas de metal y otros objetos pueden salir despedidos de la línea de corte a gran velocidad. La herramienta y la guarda están diseñadas para reducir el peligro. Sin embargo, deben tomarse las siguientes precauciones:
  - ⚠️ **ADVERTENCIA:** Asegúrese que otras personas y mascotas estén por lo menos 30 m (100 pies) de distancia.
  - ⚠️ **ADVERTENCIA:** Para reducir el riesgo de lesiones por proyectiles, trabaje alejándose de objetos sólidos cercanos como muros, escalones, rocas grandes, árboles, etc. Tenga mucho cuidado al trabajar cerca de objetos sólidos y, cuando sea necesario, recorte u orille a mano.
- **EVITE EL ENCENDIDO ACCIDENTAL** – No acarree la unidad con el dedo en el gatillo.
- **NO FUERCE LA HERRAMIENTA** – Esta hará mejor su trabajo y de manera más segura a la velocidad para la que fue diseñada.
- **UTILICE LA HERRAMIENTA CORRECTA** – No utilice esta herramienta para ningún otro trabajo excepto para el que está destinada.
- **NO SE SOBRECTIENDA** – Conserve siempre bien apoyados los pies para no perder el equilibrio.
- **DAÑOS A LA HERRAMIENTA** – Si golpea la herramienta o se enreda con un objeto extraño, apáguela de inmediato, revise en busca de daños y en caso de haberlos, hágalos reparar antes de seguir operando. No opere la herramienta con el cubo o el carrito roto.
- **EVITE CONDICIONES AMBIENTALES PELIGROSAS** – No utilice aparatos eléctricos en lugares húmedos o mojados. No se use bajo la lluvia.
- **NO OPERE** desbrozadoras/orilladoras en atmósferas gaseosas o explosivas. Los motores de estos aparatos emiten chispas en condiciones normales, que pueden originar la ignición de los vapores.
- **GUARDE SUS APARATOS BAJO TECHO** – Cuando no se usen, los aparatos deben guardarse bajo techo, con llave, fuera del alcance de los niños.
- **ESTÉ ALERTA** – Concéntrese en lo que hace. Utilice el sentido común. No opere la herramienta cuando esté cansado.
- **CUIDE SU DESBROZADORA** – Para reducir el riesgo de lesiones, siga las instrucciones de lubricación y cambio de accesorios. Conserve los mangos secos, limpios, y libres de aceite y grasa.
- **REVISE LAS PARTES DAÑADAS** – Revise la alineación de las piezas móviles, sus montajes, ruptura de piezas y cualesquiera otras condiciones que pudiesen afectar la operación. Una guarda u otra parte dañada debe repararse de manera apropiada o debe reemplazarse en un centro de servicio autorizado, a menos que se indique lo contrario en este manual.
- **RETIRE LA BATERÍA** antes de darle servicio, limpiarla o eliminar desechos de la desbrozadora.
- **ÚNICAMENTE PARA USO DOMÉSTICO.**
- **CONSERVE LAS GUARDAS EN SU LUGAR Y EN FUNCIONAMIENTO.**
- **CONSERVE MANOS Y PIES ALEJADAS DEL AREA DE CORTE.**
- **NO CARGUE EL APARATO BAJO LA LLUVIA NI EN LUGARES MOJADOS.**

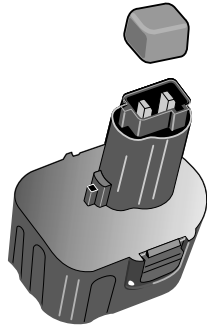
CONSERVE ESTAS INSTRUCCIONES

La etiqueta de su herramienta puede incluir los siguientes símbolos:

V .....	volts	A .....	amperes
Hz .....	hertz	W .....	watts
min .....	minutos	~ .....	corriente alterna
==== .....	corriente directa	n <sub>o</sub> .....	velocidad sin carga
☐ .....	Construcción clase II	⊕ .....	terminal a tierra
⚠ .....	símbolo de alerta de seguridad	.../min .....	reciprocations per minute

## INFORMACIÓN SOBRE LA TAPA DE LA BATERÍA

Las tapas para el almacenamiento y transporte de las baterías son suministradas para ser utilizadas mientras la batería se encuentre fuera de la herramienta o del cargador. Retire la tapa antes de colocar la batería en el cargador o en la herramienta.



**⚠ ADVERTENCIA:** No guarde o transporte la batería de manera que los objetos metálicos puedan entrar en contacto con los bornes de la batería. Por ejemplo, no coloque la batería sin su tapa en delantales, bolsillos, cajas de herramientas, cajas de conjuntos de productos, cajones, etc., junto con puntillas sueltas, tornillos, llaves, etc. Sin la tapa en su lugar, la batería podría hacer un corto circuito causando fuego o quemaduras, o causando la avería de la misma.

## CARGA DE LA BATERÍA

SU BATERÍA NO VIENE CARGADA DE FÁBRICA. ANTES DE INTENTAR CARGARLA, LEA COMPLETAMENTE LAS INSTRUCCIONES DE SEGURIDAD.

El cargador está diseñado para utilizar corriente doméstica estándar de 120 volts a 60 Hz.

1. Retire la batería de la herramienta oprimiéndola como se muestra en la figura 3.
2. Conecte el cargador a cualquier toma de corriente estándar de 120 volts a 60 Hz.
3. Inserte la batería en el cargador (fig. 3) y déjela cargar inicialmente por 9 horas. Después de la carga inicial, bajo uso normal, su batería deberá estar cargada en 3 a 6 horas.
4. Retire la batería del cargador y colóquela en la herramienta.

## Notas importantes sobre la carga

1. Después de uso normal, la batería deberá quedar cargada completamente en 3 a 6 horas. Si la batería se descarga completamente, puede tomarle hasta 8 horas cargarse por completo. Su batería viene descargada de fábrica. Antes de intentar utilizarla por primera vez, déjela cargar durante 9 horas por lo menos.
2. NO cargue la batería cuando la temperatura ambiente esté por debajo de 4,5°C (40°F) o por arriba de 40°C (105°F). Se podrá obtener mayor duración y mejor rendimiento si la batería se carga cuando la temperatura ambiente está alrededor de 24°C (75°F).
3. Durante la carga, el cargador puede zumbir y sentirse caliente al tacto. Esto es una condición normal y no indica problemas.
4. Si la batería no carga correctamente— (1) Revise la corriente en la toma conectando una lámpara u otro aparato. (2) Revise si la toma está ligada a un interruptor que corte la corriente al apagar las luces. (3) Mueva el cargador y la batería a un ambiente en el que la temperatura se encuentre entre 4,5°C y 40°C. (4) si la toma de corriente y la temperatura son correctas y usted no obtiene carga apropiada, lleve la batería y el cargador al centro de servicio Black & Decker de su localidad. Busque Herramientas Eléctricas en la sección amarilla del directorio telefónico.
5. La batería debe recargarse cuando deja de producir la potencia suficiente en trabajos que se hicieron previamente con facilidad. NO CONTINÚE usando su herramienta con una batería descargada.
6. Para prolongar la vida útil de la batería, evite dejarla bajo carga durante más de 8 horas. Aún cuando la carga excesiva no es una cuestión de seguridad, puede reducir la vida útil de la batería.
7. Al insertar la batería en el cargador la luz "Indicadora de carga" roja se encenderá señalando que haya contacto entre la batería y el cargador. La luz permanecerá encendida mientras la batería esté en el cargador y éste esté conectado a una toma de corriente. No PARPADEARÁ, se apagará ni cambiará de color al terminar el ciclo de carga.
8. No cargue el aparato bajo la lluvia ni lugares mojados.
9. Utilice únicamente las baterías y el cargador suministrados con su desbrozadora o piezas de repuesto idénticas.
10. No incinere la batería aún cuando se encuentre severamente dañada o cuando esté completamente desgastada. Puede haber una pequeña fuga de las celdas de la batería bajo condiciones extremas de uso. Est no indica fallas, sin embargo, si el sello externo se rompe y el líquido hace contacto con su piel:
  - a. Lave rápidamente con agua y jabón.
  - b. Neutralice con un ácido suave como jugo de limón o vinagre.
  - c. Si el líquido de la batería se introduce en sus ojos, enjuáguelos con agua limpia por un mínimo de 10 minutos y busque atención médica inmediata. NOTA MÉDICA: el líquido es una solución de 25 a 35% de hidróxido de potasio.
11. No abra ni mutile la batería. El electrolito liberado es corrosivo y puede causar daños a sus ojos o a su piel. Puede ser tóxico en caso de ingestión.
12. Tenga cuidado al manejar las baterías para no causar un corto entre la batería y materiales conductores como anillos, pulseras y llaves. La batería o el conductor pueden calentarse y causar quemaduras.
13. Utilice únicamente el siguiente tipo y tamaño de batería: **Batería PS140 - 14.4 V.**

## CONSERVE ESTAS INSTRUCCIONES

## INSTRUCCIONES DE ENSAMBLAJE

- **ADVERTENCIA:** La guarda siempre debe permanecer en su sitio a fin de proteger al usuario.

## ENSAMBLAJE DE LA UNIDAD

Disponga la unidad como se muestra en la figura 4. Alinee las 3 costillas realizadas en la mitad inferior con las tres ranuras de la mitad superior y deslice las dos mitades juntas hasta que queden unidas. La unidad deberá estar ahora firmemente asegurada.

## ENSAMBLAJE DE LA GUARDA

Saque los dos tornillos de la guarda que se muestran en la figura 5. Alinee la lengüeta de la guarda con la cavidad de la parte inferior de la mitad inferior como se muestra en la figura 6. Empuje la guarda hacia abajo sobre la carcasa y asegúrese de que haya asentado completamente. Re inserte los dos tornillos a través de la guarda y dentro de la carcasa de la desbrozadora y apriételes como se muestra en la figura 7.

NUNCA OPERE LA HERRAMIENTA SIN TENER LA GUARDA COLOCADA APROPIADAMENTE EN SU SITIO. El uso de la unidad sin tener instalada la guarda ocasionará que el motor se sobrecaliente, y anulará la garantía.

## INSTRUCCIONES DE OPERACIÓN

- **⚠ PRECAUCIÓN:** SIEMPRE UTILICE PROTECCION PARA LOS OJOS.
- **⚠ PRECAUCIÓN:** Inspeccione el área que vaya a recortar y retire cualquier alambre, cordón y otros objetos similares que pudiesen enredarse con la línea o con el carrete. Sea particularmente cuidadoso de evitar cualquier alambre que pudiera encontrarse en el camino de la herramienta, como las púas que se encuentran en la base de una cerca de eslabones de cadena.
- Para encender la desbrozadora, tire del botón del seguro, ilustrado en la figura 1, y al mismo tiempo, oprima el interruptor de gatillo. Para apagar la herramienta, libere el gatillo interruptor.
- Incline la unidad como se muestra en la Figura 8.

- Balancee lentamente la desbrozadora de lado a lado, como se observa en la figura 9.

## LÍNEA DE CORTE / ALIMENTACION DE LA LÍNEA

Su desbrozadora utiliza únicamente línea REDONDA de nylon de 0,065" (1,65 mm) de diámetro para cortar el pasto y hierbas rápida y fácilmente. Con el tiempo, la punta de la línea de nylon se desgastará. Dé un ligero golpe a la cabeza de la desbrozadora en el suelo para refrescar con un tramo nuevo de línea. La línea de corte se desgastará más rápidamente y requerirá de más alimentación el recorte se hace a lo largo de aceras y otras superficies abrasivas, o al cortar hierbas más pesadas.

## LIMPIEZA DE ATASCADURAS Y LÍNEA ENREDADA

De tiempo en tiempo, especialmente al cortar hierbas espesas, el cubo de alimentación de línea puede bloquearse con savia y otros materiales, y como resultado la línea se atorará. Para limpiar la atascadura, siga los pasos mencionados a continuación.

1. Saque la batería y coloque de cabeza la unidad.
2. Oprima las lengüetas de liberación de la tapa del cubo, como se observa en la figura 10 y quite la tapa tirando de ella hacia fuera.
3. Saque el carrete de línea de nylon del cubo y limpie cualquier fragmento de línea y desecho de corte del área del carrete. (Si planea reemplazar el carrete o reembobinarlo, ahora es el momento, si no, continúe.)
4. Desenrolle aproximadamente 30 cm (1 ft) de línea para asegurarse que no esté dañada. Si está bien, embobínela de nuevo e inserte el extremo por el ojillo del cubo del carrete, como se muestra en la figura 11. Asegúrese de que el muelle esté en su lugar bajo el carrete. Tire de la línea a través del orificio para conservar la tensión mientras coloca el carrete dentro del cubo con la flecha hacia arriba, como se ilustra en la figura 11.
5. Presione el carrete CON CUIDADO y gírelo hasta que sienta que cae en su sitio. Tenga cuidado de evitar queque la línea quede atrapada bajo el carrete.
6. Coloque la tapa del cubo de nuevo, sujete la herramienta en posición de corte y enciéndala. En unos pocos segundos usted escuchará que la línea de nylon es cortada a la longitud apropiada, si no es así, golpee con delicadeza la cabeza de la desbrozadora en el suelo para refrescar con un tramo nuevo de línea.

## CAMBIO DE LÍNEA O DE CARRETE (utilice únicamente línea redonda de nylon de 1,65 mm [0,065"] de diámetro)

1. Saque la batería y coloque de cabeza la unidad.
2. Oprima las lengüetas de liberación de la tapa del cubo, como se observa en la figura 10 y quite la tapa tirando de ella hacia fuera.
3. Saque el carrete de línea de nylon del cubo y limpie cualquier fragmento de línea del carrete.
4. Seleccione la OPCIÓN 1 o la OPCIÓN 2 a continuación para el reemplazo de la línea.
5. Inserte el extremo por el ojillo del cubo del carrete, como se muestra en la figura 11. Asegúrese de que el muelle esté en su lugar bajo el carrete. Tire de la línea a través del orificio para conservar la tensión mientras coloca el carrete dentro del cubo con la flecha hacia arriba, como se ilustra en la figura 11.
6. Presione el carrete CON CUIDADO y gírelo hasta que sienta que cae en su sitio. Tenga cuidado de evitar queque la línea quede atrapada bajo el carrete.
7. Coloque la tapa del cubo de nuevo, sujete la herramienta en posición de corte y enciéndala. En unos pocos segundos usted escuchará que la línea de nylon es cortada a la longitud apropiada, si no es así, golpee con delicadeza la cabeza de la desbrozadora en el suelo para refrescar con un tramo nuevo de línea.

## OPCIÓN 1: CARRETE DE REPUESTO

Utilice el carrete de repuesto Modelo No. RS-136.

## OPCIÓN 2: EMBOBINADO DEL CARRETE CON LÍNEA A GRANEL

El distribuidor o centro de servicio Black & Decker de su localidad cuentan con línea a granel para su desbrozadora. Para instalar línea a granel, siga los pasos descritos a continuación. (Utilice únicamente línea REDONDA de 1,65 mm [0,065"] de diámetro.)

1. Inserte un extremo de la línea en el orificio del carrete aproximadamente 3,2 mm (1/8"), como se observa en la figura 10.
2. Embobine la línea en el carrete de manera uniforme y con firmeza en la dirección que señala la flecha hasta que llegue a las muescas del borde del carrete. No ponga línea en exceso. El carrete tiene capacidad para 6 m (20 ft) de línea.

## MANTENIMIENTO

### LIMPIEZA Y GUARDADO

1. Conserve limpias las ranuras de ventilación (Figura 5) para evitar sobrecalentamiento.
2. La línea de su desbrozadora se puede reseca con el tiempo. Para conservar la línea en óptimas condiciones guarde carretes de repuesto preembobinados o línea a granel en una bolsa de plástico sellada con una cucharadita de agua.
3. Las partes de plástico se pueden limpiar con un trapo húmedo y un jabón suave.
4. NO sumerja la herramienta en agua ni la rocíe con una manguera, NI permita que ningún líquido se introduzca en ella.
5. No guarde la herramienta cerca de fertilizantes o productos químicos.
6. NO limpie con una manguera de agua a presión.
7. La cuchilla para la línea que se encuentra en el borde de la guarda puede perder el filo con el tiempo. Se le recomienda retocar el filo de la cuchilla periódicamente con una lima.

### ACCESORIOS

- Cargue la línea de nylon (a granel o pre embobinada en carrete) como se señala en este manual. Utilice el carrete de repuesto Black & Decker No. RS-136.
- Utilice únicamente línea redonda de monofilamento de nylon de 1,65 mm (0,065") de diámetro. Línea más gruesa puede sobrecargar el motor y causar sobrecalentamiento. Esta línea la puede encontrar con el distribuidor o centro de servicio Black & Decker de su localidad.

**⚠ ADVERTENCIA:** El empleo de cualquier accesorio no recomendado por Black & Decker para usarse con esta herramienta puede ser peligroso.

**IMPORTANTE:** Para garantizar la **SEGURIDAD** y la **CONFIABILIDAD** del producto, las reparaciones, el mantenimiento y los ajustes deben ser realizados por centros de servicio autorizados u otras organizaciones de servicio calificadas, que siempre utilicen partes de repuesto idénticas.

### El Sello RBRC™

El sello RBRC™ (Rechargeable Battery Recycling Corporation) en las baterías de níquel-cadmio, indica que Black & Decker ha pagado los costos de reciclado de las baterías al término de su vida útil. En algunas zonas, es ilegal deshacerse de las baterías usadas de níquel-cadmio por los medios de recolección de basura usuales, y el programa RBRC proporciona una alternativa protectora del ambiente.

RBRC en cooperación con el fabricante y otros usuarios de baterías, ha establecido una serie de programas en los Estados Unidos y en Canadá para facilitar la recolección de las baterías de níquel-cadmio desgastadas. Ayude a cuidar el medio ambiente y a proteger los recursos naturales devolviendo las baterías de níquel-cadmio usadas a un centro de servicio Black & Decker o al distribuidor de su localidad para que las reciclen. Puede usted comunicarse al centro de reciclado de su localidad para que le proporcionen mayor información acerca de los sitios en los que puede desechar su batería usada, o llame al 1-800-8-BATTERY.

### INFORMACIÓN DE SERVICIO

Black & Decker ofrece una red completa de centros de servicio propiedad de la compañía y franquiciados a través de toda Norteamérica. Todos los centros de servicio Black & Decker cuentan con personal capacitado para proporcionar el servicio a herramientas más eficiente y confiable.

Siempre que necesite consejo técnico, reparaciones o partes de repuesto genuinas, comuníquese con el centro Black & Decker más cercano a usted.

Para encontrar su centro de servicio local, consulte la sección amarilla bajo "Herramientas eléctricas", o llame al: **(55) 5326-7100**

### GARANTÍA COMPLETA PARA USO DOMÉSTICO POR DOS AÑOS

Black & Decker (U.S.) garantiza este producto por dos años completos contra cualquier falla originada por materiales o mano de obra defectuosos. El producto defectuoso será reemplazado o reparado sin cargo alguno en cualquiera de las siguientes dos maneras:

La primera, que resulta únicamente en cambios, es regresar el producto al vendedor al que se All Manuals Search And Download.



compró (en la suposición que es un distribuidor participante). Las devoluciones deberán hacerse dentro del tiempo estipulado por la política de cambios del distribuidor (usualmente de 30 a 90 días después de la venta). Se puede requerir prueba de compra. Por favor verifique con el vendedor las políticas específicas de devolución relacionadas a las devoluciones en tiempo posterior al estipulado para cambios.

La segunda opción es llevar o enviar el producto (con porte pagado) a los centros de servicio Black & Decker propios o autorizados, para que lo reparemos o reemplacemos a nuestra opción. Se puede requerir prueba de compra. Los centros de servicio Black & Decker propios y autorizados están enlistados bajo "Herramientas eléctricas" en la sección amarilla del directorio telefónico.

Este producto no está diseñado para uso comercial.

**PARA REPARACION Y SERVICIO DE SUS HERRAMIENTAS ELECTRICAS FAVOR DE DIRIGIRSE AL CENTRO DE SERVICIO MAS CERCANO**

CULIACAN	Av. Nicolas Bravo #1063 Sur	(56 77) 12 42 10
GAUDALAJARA	Av. La Paz #1770	(33 38) 26 69 78
LEON	Polara #32	(47 77) 13 14 56
MEXICO	Sonora #134 Hipodromo Condesa	(55 55) 53 99 79
MERIDA	Calle 63 #459	(99 99) 23 54 90
MONTERREY	Av. Francisco I. Madero Pte. 1820-A	(81 83) 72 11 25
PUEBLA	17 Norte #2057	(22 22) 46 90 20
QUERETARO	Av. Madero 139 Pte.	(44 22) 14 60 60
SAN LOUIS POTOSI	Pedro Moreno #408 Fracc. la Victoria	(44 48) 14 25 67
TORREON	Bld. Independencia, 96 pte.	(87 17) 16 52 65
VERACRUZ	Prolongación Diaz Miron #4280	(29 99) 21 70 18
VILLAHERMOSA	Zaragoza #105	(99 33) 12 53 17

**PARA OTRAS LOCALIDADES LLAME AL: (55) 5326-7100**

Para servicio y ventas consulte  
"HERRAMIENTAS ELECTRICAS"  
en la sección amarilla.



IMPORTADOR: BLACK & DECKER S.A. DE C.V.  
BOSQUES DE CIDROS ACCESO RADIATAS NO. 42  
BOSQUES DE LAS LOMAS, 05120 MEXICO, D.F.  
(55) 5326-7100

## Free Manuals Download Website

<http://myh66.com>

<http://usermanuals.us>

<http://www.somanuals.com>

<http://www.4manuals.cc>

<http://www.manual-lib.com>

<http://www.404manual.com>

<http://www.luxmanual.com>

<http://aubethermostatmanual.com>

Golf course search by state

<http://golfingnear.com>

Email search by domain

<http://emailbydomain.com>

Auto manuals search

<http://auto.somanuals.com>

TV manuals search

<http://tv.somanuals.com>