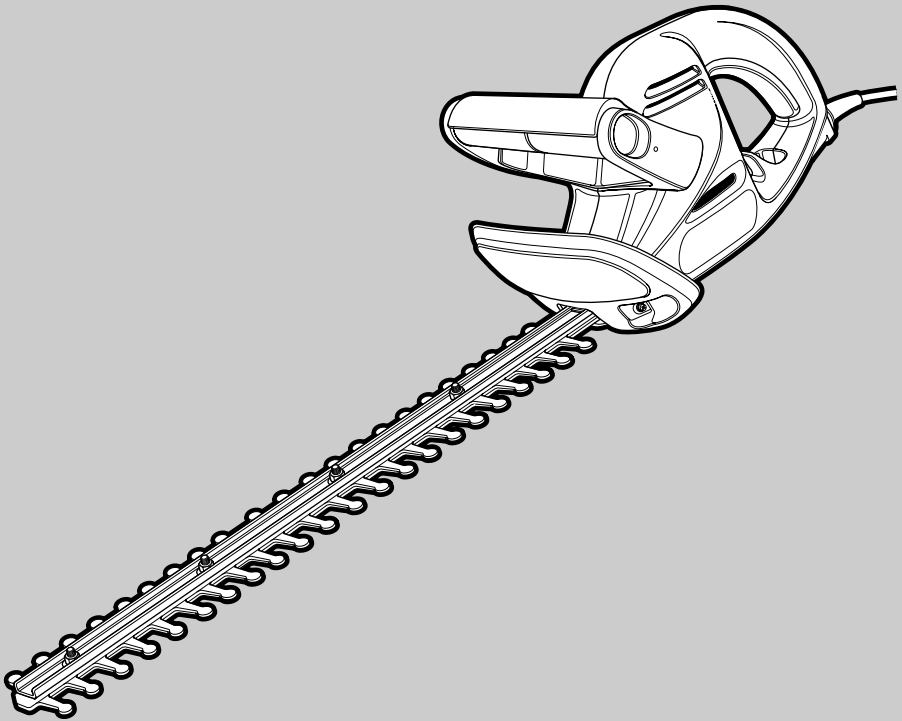


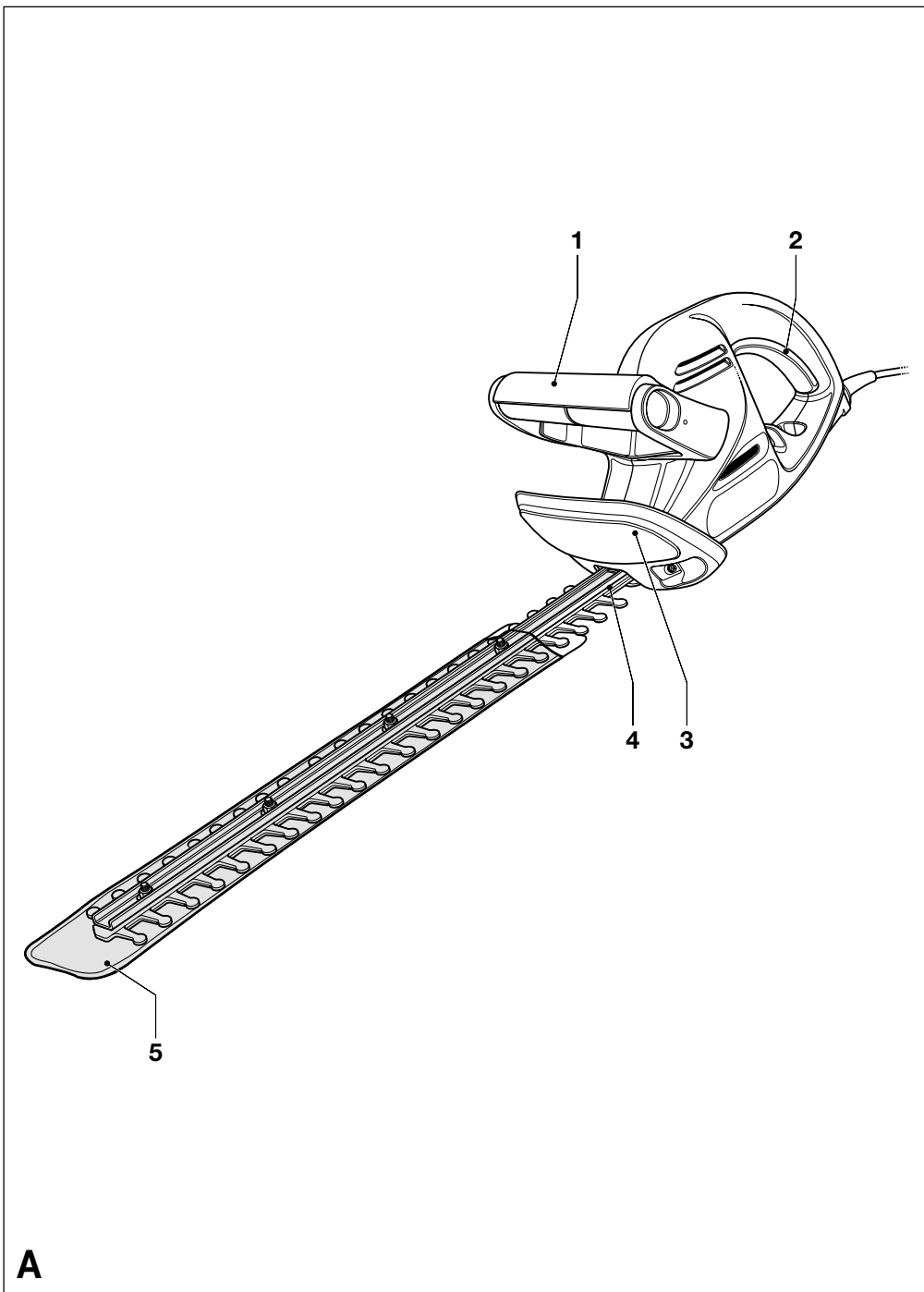
 **BLACK &
DECKER®**

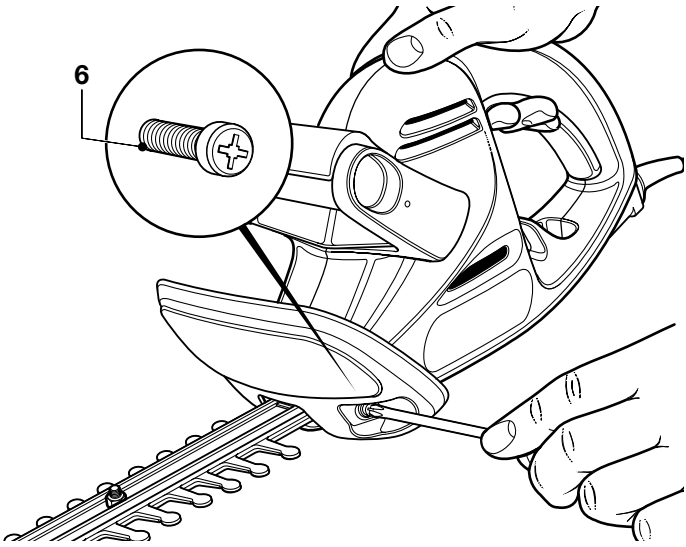


**GT20
GT25**

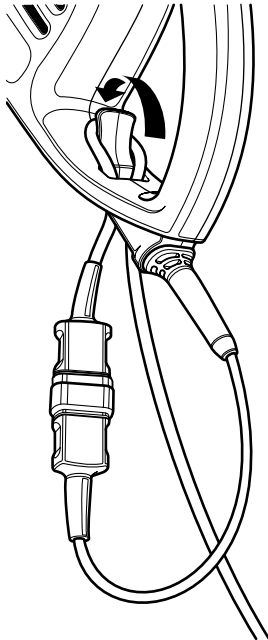


Copyright Black & Decker

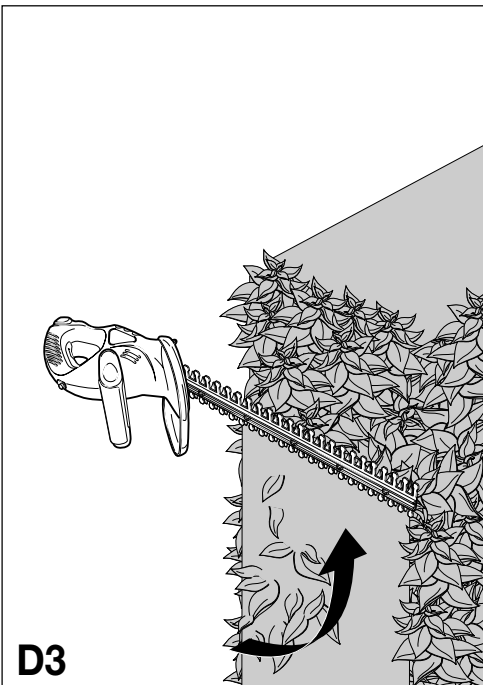
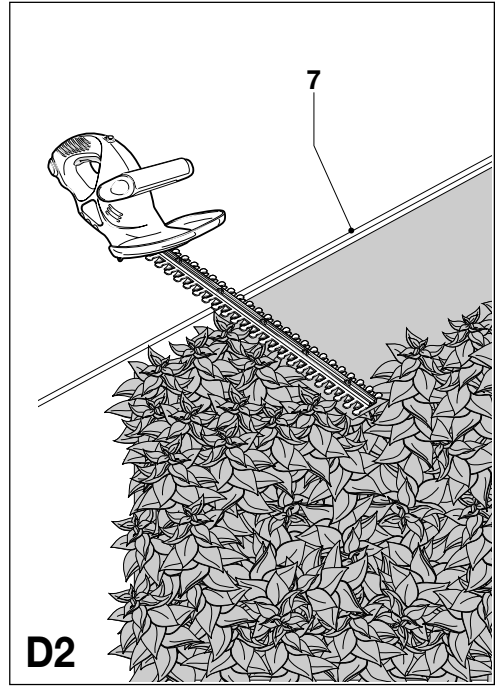
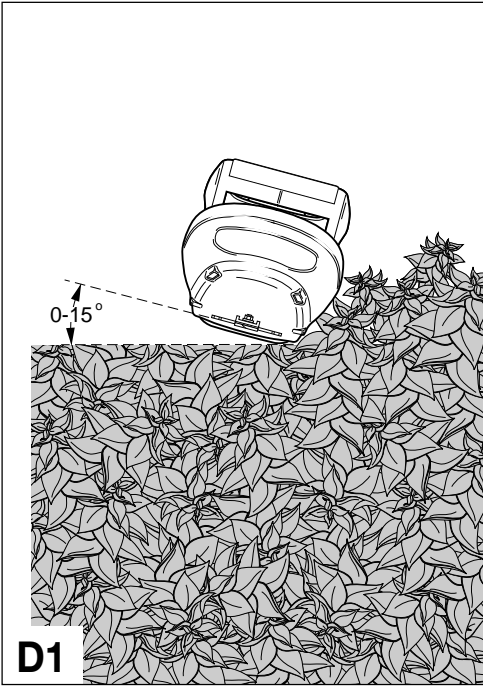




B



C



HEDGETRIMMER GT20/GT25

CONGRATULATIONS!

You have chosen a Black & Decker tool. Our aim is to provide quality tools at an affordable price. We hope that you will enjoy using this tool for many years.

EC DECLARATION OF CONFORMITY



GT20/GT25

Black & Decker declares that these products conform to: 98/37/EC, 89/336/EEC, 73/23/EEC, BS 2769 (EN 50144 not including 23.5), EN 55014, EN 61000, 2000/14/EC, Hedge trimmer ≤ 330 W, Annex V

Level of sound pressure, measured according to 2000/14/EC:

		GT20	GT25
L_{pA} (sound pressure)	dB(A)	81	81
L_{WA} (acoustic power)	dB(A)	94	94
L_{WA} (guaranteed)	dB(A)	99	99



Always wear ear protection if the sound pressure exceeds 85 dB(A).

Hand/arm weighted vibration value according to EN 50144:

	GT20	GT25
	< 2.5 m/s ²	< 2.5 m/s ²

Brian Cooke

Director of Engineering

Spennymoor, County Durham DL16 6JG,

United Kingdom

1-12-2001

INTENDED USE

Your Black & Decker hedgetrimmer GT20/GT25 has been designed for trimming hedges, shrubs and brambles. This tool is intended for consumer use only.

SAFETY INSTRUCTIONS

Warning symbols

The following symbols are used in this manual:



Denotes risk of personal injury, loss of life or damage to the tool in case of non-observance of the instructions in this manual.



Denotes risk of electric shock.



Read the manual prior to operation.

Know your tool



- ◆ **Warning!** When using mains-powered tools, basic safety precautions, including the following, should always be followed to reduce the risk of fire, electric shock, personal injury and material damage.
- ◆ Read all of this manual carefully before operating the tool.
- ◆ Before operating the tool, make sure that you know how to switch the tool off in an emergency.
- ◆ Retain this manual for future reference.

General

1. Consider work area environment

Do not expose the tool to rain. Do not use the tool in damp or wet conditions. Keep the work area well lit. Do not use the tool where there is a risk of causing fire or explosion, i.e. in the presence of flammable liquids and gases. Keep the work area free from debris and obstacles.

2. Keep children away

Do not allow children, visitors or animals to come near the work area or to touch the tool or mains cable.

3. Dress properly

Do not wear loose clothing or jewellery, as these can be caught in moving parts. Preferably wear rubber gloves and non-slip footwear when working outdoors. Wear protective hair covering to keep long hair out of the way.

4. Personal protection

Always use safety glasses. Use a face or dust mask whenever the operations may produce dust or flying particles. Wear ear protection whenever the sound level seems uncomfortable.

5. Guard against electric shock

Prevent body contact with earthed or grounded surfaces (e.g. metal railings, lamp-posts etc.). Electric safety can be further improved by using a high-sensitivity (30 mA/30 mS) residual current device (RCD).

6. Do not overreach

Keep proper footing and balance at all times.

7. Stay alert

Watch what you are doing. Use common sense. Do not operate the tool when you are tired.

8. Secure workpiece

Where appropriate, use clamps or a vice to hold the workpiece. It is safer and it frees both hands to operate the tool.

9. Remove keys and adjusting wrenches

Always check that keys and adjusting wrenches are removed from the tool before operating the tool.

10. Extension cables

Before use, inspect the extension cable and replace if damaged. Only use extension cables

intended for outdoor use.

11. Use appropriate tool

The intended use is described in this instruction manual. Do not force small tools or attachments to do the job of a heavy-duty tool. The tool will do the job better and safer at the rate for which it was intended. Do not force the tool.

Warning! The use of any accessory or attachment or performance of any operation with this tool other than those recommended in this instruction manual may present a risk of personal injury.

12. Check for damaged parts

Before use, carefully check the tool and mains cable for damage. Check for misalignment and seizure of moving parts, breakage of parts, damage to guards and switches and any other conditions that may affect its operation. Ensure that the tool will operate properly and perform its intended function. Do not use the tool if any part is damaged or defective. Do not use the tool if the switch does not turn it on and off. Have any damaged or defective parts repaired or replaced by an authorised repair agent. Never attempt any repairs yourself. If the supply cord is damaged, it must be replaced by an authorised repair agent in order to avoid a hazard.

13. Unplug the tool

Unplug the tool when it is not in use, before changing any parts of the tool, accessories or attachments and before servicing.

14. Avoid unintentional starting

Do not carry the tool with a finger on the on/off switch. Be sure that the tool is switched off when plugging in.

15. Do not abuse cord

Never carry the tool by its cord or pull it to disconnect from the socket. Keep the cord away from heat, oil and sharp edges.

16. Store idle tools

When not in use, tools should be stored in a dry, locked up or high place, out of reach of children.

17. Maintain tools with care

Keep cutting tools sharp and clean for better and safer performance. Follow the instructions for maintenance and changing accessories. Keep handles and switches dry, clean and free from oil and grease.

18. Repairs

This tool complies with relevant safety requirements. Repairs should only be carried out by qualified persons using original spare parts; otherwise this may result in considerable danger to the user.

Additional safety instructions for hedgetrimmers

Wear safety glasses or goggles when operating this tool.

Wear gloves when operating this tool.

Wear ear protection when operating this tool.



Immediately disconnect the cable from the mains if it is damaged or cut.



Do not expose the tool to rain or high humidity.

- ◆ Keep the cable away from the blades while using this tool.
- ◆ If you have not used a hedgetrimmer before, preferably seek practical instruction by an experienced user in addition to studying this manual.
- ◆ Never touch the blades while the tool is running.
- ◆ Never attempt to force the blades to come to a standstill.
- ◆ Do not put the tool down until the blades have come to a complete standstill.
- ◆ Regularly check the blades for damage and wear. Do not use the tool when the blades are worn or damaged.
- ◆ Take care to avoid hard objects (e.g. metal wire, railings) when trimming. Should you accidentally hit any such object, immediately switch the tool off and check for any damage.
- ◆ Should the tool start to vibrate abnormally, immediately switch it off and check for any damage.

- ◆ If the tool stalls, immediately switch it off. Unplug the tool before attempting to remove any obstructions.
- ◆ After use, place the blade sheath supplied over the blades. Store the tool, making sure that the blade is not exposed.
- ◆ Always ensure that all guards are fitted when using the tool. Never attempt to use an incomplete tool or a tool with unauthorised modifications.
- ◆ Never allow children to use the tool.

Additional safety instructions for Australia and New Zealand

- ◆ This appliance is not intended for use by young or infirm persons without supervision. Children must be supervised to ensure they do not play with the appliance.
- ◆ If the supply cord is damaged, it must be replaced by the manufacturer or an authorised Black & Decker Service Centre in order to avoid a hazard.

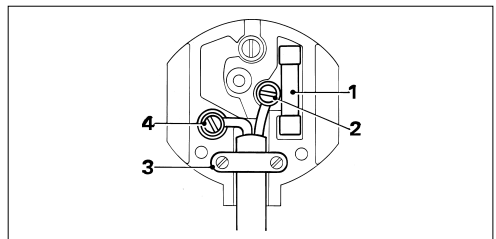
ELECTRICAL SAFETY

The electric motor has been designed for one voltage only. Always check that the power supply corresponds to the voltage on the rating plate.



This tool is double insulated in accordance with EN 50144; therefore no earth wire is required.

Mains plug replacement (U.K. & Ireland only)



- ◆ Should your mains plug need replacing and you are competent to do this, proceed as instructed below. If you are in doubt, contact an authorised repair agent or a qualified electrician.

- ◆ Disconnect the plug from the supply and remove the fuse from the plug.
- ◆ Cut off the plug and dispose of it safely; a plug with bared copper conductors is dangerous if engaged in a live socket outlet.
- ◆ Only fit 13 Amperes BS1363A approved plugs fitted with the correctly rated fuse (1).
- ◆ The cable wire colours, or a letter, will be marked at the connection points of most good quality plugs. Attach the wires to their respective points in the plug (see above). Brown is for Live (L) (2), blue is for Neutral (N) (4).
- ◆ Before replacing the top cover of the mains plug ensure that the cable restraint (3) is holding the outer sheath of the cable firmly and that the leads are correctly fixed at the terminal screws.
- ◆ If the plug has a fuse cover, make sure that the fuse cover is fitted. Do not use the plug if the fuse cover is missing or damaged.



Never use a light socket.

Using an extension cable

Always use an approved extension cable suitable for the power input of this tool (see technical data). The extension cable must be suitable for outdoor use and marked accordingly. When using a cable reel, always unwind the cable completely.

CARTON CONTENTS

The carton contains:

- 1 Hedgetrimmer
- 1 Blade sheath
- 1 Guard
- 2 Screws
- 1 Instruction manual
- 1 Parts diagram

- ◆ Carefully unpack all parts.

OVERVIEW (fig. A)

1. Front handle switch
2. Trigger switch
3. Guard
4. Blade
5. Blade sheath

ASSEMBLY



Before assembly, make sure that the tool is switched off and unplugged.

Fitting the guard (fig. B)

- ◆ Place the guard (3) onto the tool as shown.
- ◆ Secure the guard using the two screws (6) supplied.



Never use the tool without the guard.

Cable retention system (fig. C)

The cable retention system helps you to control the cable.

- ◆ Feed the cable through the opening and secure it around the pegs as shown.

USE



Let the tool work at its own pace. Do not overload.

- ◆ Carefully guide the cable in order to avoid accidentally cutting it. A good way to control the cable is by putting it over your shoulder.

Switching on and off (fig. A)

For your safety, this tool is equipped with a double switching system. This system prevents starting the tool inadvertently and will only allow operation while holding the tool with both hands.

Switching on

- ◆ Squeeze both the front handle switch (1) and the trigger switch (2).

Switching off

- ◆ Release the front handle switch (1) or the trigger switch (2).



Never attempt to lock a switch in the on position.

Hints for optimum use

- ◆ Slightly tilt the tool (up to 15° relative to the line of cut) so that the blade tips point slightly towards the hedge (fig. D1). This will cause the blades to cut more effectively.
- ◆ Start by trimming the top of the hedge. Hold the tool at the desired angle and move it steadily along the line of cut (fig. D2). The double-sided blade allows you to cut in either direction.
- ◆ In order to obtain a very straight cut, stretch a piece of string along the length of the hedge at the desired height. Use the string (7) as a guideline, cutting just above it (fig. D2).
- ◆ In order to obtain flat sides, cut upwards with the growth (fig. D3). Younger stems move outwards when the blade cuts downwards, causing shallow patches in the hedge.
- ◆ Take care to avoid any foreign objects. Especially avoid hard objects such as metal wire and railings, as these could damage the blades (fig. D4).
- ◆ Regularly oil the blades.

MAINTENANCE

Your Black & Decker tool has been designed to operate over a long period of time with a minimum of maintenance. Continuous satisfactory operation depends upon proper tool care and regular cleaning.



Before performing any maintenance, switch off and unplug the tool.

- ◆ After use, carefully clean the blades. After cleaning, apply a film of light machine oil to prevent the blades from rusting.
- ◆ Regularly clean the ventilation slots in your tool using a soft brush or dry cloth.
- ◆ Regularly clean the motor housing using a damp cloth. Do not use any abrasive or solvent-based cleaner.

PROTECTING THE ENVIRONMENT



Black & Decker provides a facility for recycling Black & Decker products once they have reached the end of their working life.

This service is provided free of charge.

To take advantage of this service please return your product to any authorised repair agent who will collect them on our behalf.

You can check the location of your nearest authorised repair agent by contacting your local Black & Decker office at the address indicated in this manual. Alternatively, a list of authorised Black & Decker repair agents and full details of our after-sales service and contacts are available on the Internet at: www.2helpU.com.

Technical data

		GT20	GT25
Voltage	V _{AC}	230	230
(Australia & New Zealand)	V _{AC}	240	240
Power input	W	330	330
Blade strokes (no load)	min ⁻¹	1,800	1,800
Blade length	cm	41	41
Blade gap	mm	12	12
Blade brake time	s	< 1	< 1
Weight	kg	2.4	2.4

GUARANTEE

Black & Decker is confident of the quality of its products and offers an outstanding guarantee. This guarantee statement is in addition to and in no way prejudices your statutory rights.

The guarantee is valid within the territories of the Member States of the European Union and the European Free Trade Area.

If a Black & Decker product becomes defective due to faulty materials, workmanship or lack of conformity, within 24 months from the date of purchase, Black & Decker guarantees to replace defective parts, repair products subjected to fair wear and tear or replace such products to ensure minimum inconvenience to the customer unless:

- ◆ The product has been used for trade, professional or hire purposes;
- ◆ The product has been subjected to misuse or neglect;
- ◆ The product has sustained damage through foreign objects, substances or accidents;

- ◆ Repairs have been attempted by other persons than authorised repair agents or Black & Decker service staff.

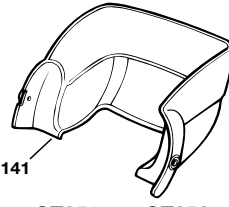
To claim on the guarantee, you will need to submit proof of purchase to the seller or an authorised repair agent. You can check the location of your nearest authorised repair agent by contacting your local Black & Decker office at the address indicated in this manual. Alternatively, a list of authorised Black & Decker repair agents and full details of our after-sales service and contacts are available on the Internet at: **www.2helpU.com**.

OTHER OUTDOOR TOOLS

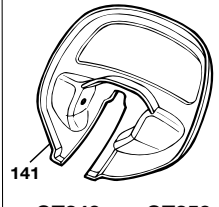
Black & Decker has a full range of outdoor power tools that make life in the garden easy. If you would like further information on the following products, please contact our Service and Information Centre (see the address page towards the end of this manual) or your local Black & Decker retailer.

String trimmers	Chainsaws
Cordless shear	Hedgetrimmers
Lawnmowers	Lawnrakers
Leafbusters	Shredders

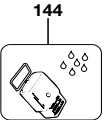
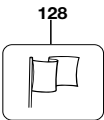
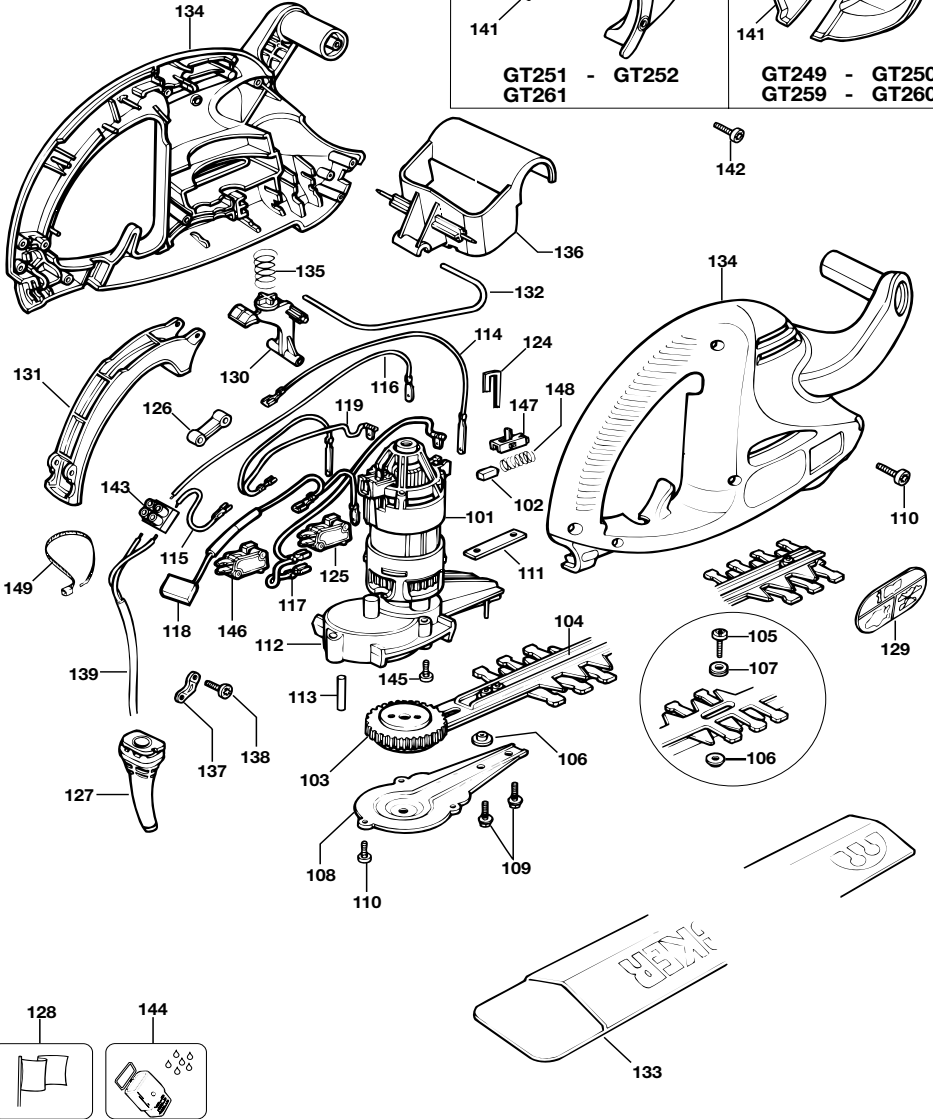
Not all products are available in all countries.



GT251 - GT252
GT261



GT249 - GT250
GT259 - GT260



Australia	DeWALT Industrial Power Tool Company 7 Clarice Road Box Hill, Victoria 3128	Tel. 03 9895 9200 Fax 03 9899 7465
New Zealand	Black & Decker 81 Hugo Johnson Drive Penrose, Auckland, New Zealand	Tel. 09 579 7600 Fax 09 579 8200
South Africa	Black & Decker South Africa (Pty) Ltd Physical address: 39 Commerce Crescent Eastgate, ext. 12, Sandton, Kramerville 2148 Postal address: Postnet Suite 107, Private Bag X65 Halfway House 1685	Tel. (011) 653-1400 Fax (011) 653-1499
United Kingdom	Black & Decker 210 Bath Road Slough, Berkshire SL1 3YD	Tel. 01753 511234 Fax 01753 551155 Helpline 01753 574277

Dealer address

Date of purchase

Name:

Address:

Town:

Postal code:

Was this tool a gift?

Yes
 No

Was this tool your first purchase?

Yes
 No

Was this tool bought as a replacement?

Yes
 No

Dealer address:

.....
.....

Data protection act:
Tick the box if you prefer not to receive further information.



GUARANTEE CARD

 Please complete this section immediately after the purchase of your tool and send it to Black & Decker in your country. If you live in Australia or New Zealand, please register by using the alternative guarantee card supplied.

Free Manuals Download Website

<http://myh66.com>

<http://usermanuals.us>

<http://www.somanuals.com>

<http://www.4manuals.cc>

<http://www.manual-lib.com>

<http://www.404manual.com>

<http://www.luxmanual.com>

<http://aubethermostatmanual.com>

Golf course search by state

<http://golfingnear.com>

Email search by domain

<http://emailbydomain.com>

Auto manuals search

<http://auto.somanuals.com>

TV manuals search

<http://tv.somanuals.com>