



KLS-DS and KPS-DS Series
DIRECT STEAM TRI-LEG STATIONARY KETTLE AND
DIRECT STEAM PEDESTAL STATIONARY KETTLE
INSTALLATION – OPERATION – MAINTENANCE



BLODGETT OVEN COMPANY

www.blodgett.com

44 Lakeside Avenue, Burlington, Vermont 05401 USA Telephone (800) 331-5842, (802) 860-3700 Fax: (802) 864-0183

S00055 Rev B (10/04)

IMPORTANT NOTES FOR INSTALLATION AND OPERATION

It is recommended that this manual be read thoroughly and that all instructions be followed carefully.



This is the safety alert symbol. It is used to alert you to potential personal injury hazards. Obey all safety messages that follow this symbol to avoid possible injury or death.



WARNING: Improper installation, operation, adjustment, alteration, service or maintenance can cause property damage, injury or death. Read the installation, operating and maintenance instructions thoroughly before installing, operating or servicing this equipment.

This manual should be retained for future reference.

TABLE OF CONTENTS

<u>DESCRIPTION</u>	<u>PAGE</u>
1.0 Installation and Service Connections	4
2.0 Installation Instructions	6
3.0 Introduction	7
4.0 Operating Instructions	8
5.0 Cleaning Procedures	9
6.0 Troubleshooting Maintenance	12

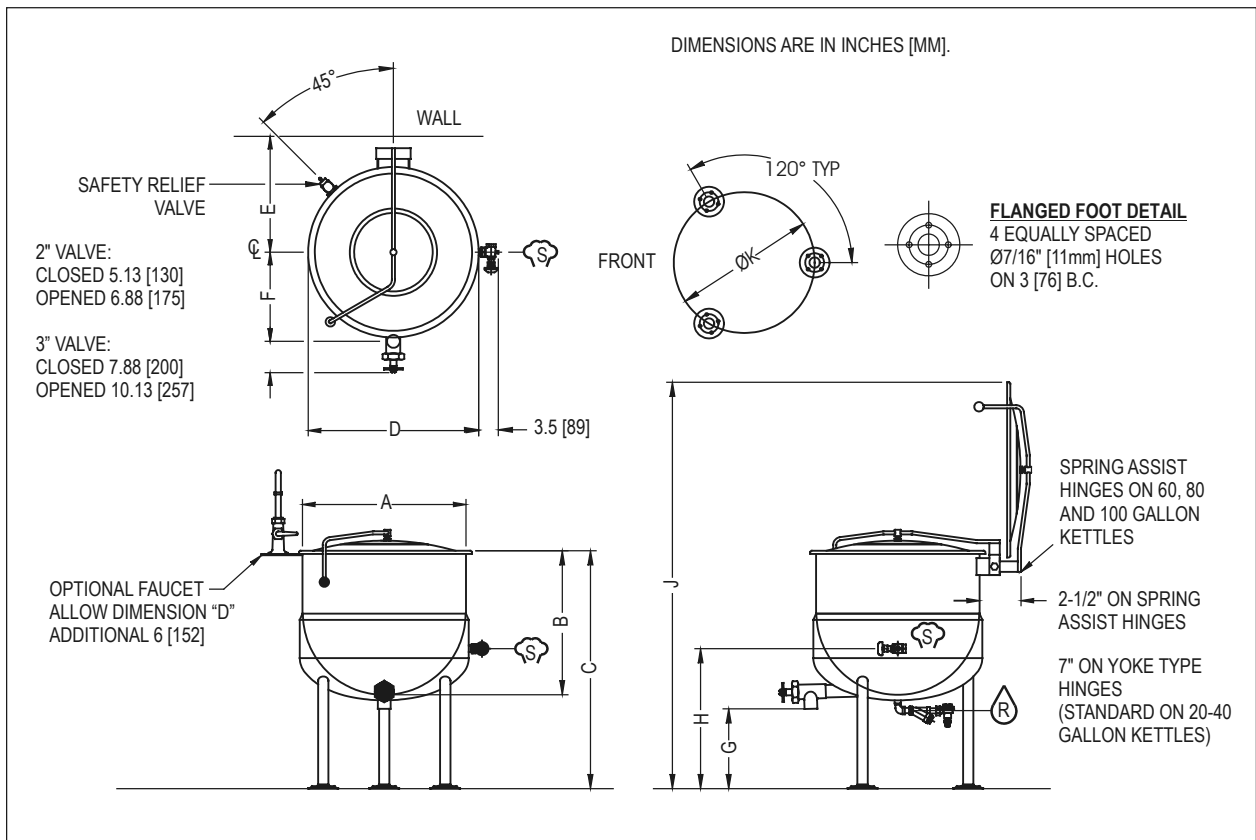
1.0 SERVICE CONNECTIONS – KLS-DS

 - Steam supply: 3/4" IPS
 - Condensate return: 1/2" IPS

DIMENSIONS

MODEL	CAPACITY		A	B	C	D	E	F(2")	F(3")	G(2")	G(3")	H	J	K
KLS-20DS	20 U.S. gal.	inches	21	18	37	22.75	16	12.75	14	17	16.5	25.88	59.75	17.5
	76 litres	mm	533	457	940	578	406	324	356	432	419	657	1518	445
KLS-30DS	30 U.S. gal.	inches	24	20	37	25.88	17.5	13.5	15.25	15	14.5	26.88	62.88	20.5
	114 litres	mm	610	508	940	657	445	343	387	381	368	683	1597	521
KLS-40DS	40 U.S. gal.	inches	26	22.5	37	27.88	18.5	14.25	16.5	12.5	12	23.88	64.88	22.5
	152 litres	mm	660	572	940	708	470	362	419	318	305	606	1648	572
KLS-60DS	60 U.S. gal.	inches	29.5	26	40.5	31.38	17.75	15.5	17.25	12.5	12	24.69	72.88	25.75
	227 litres	mm	749	660	1029	797	451	394	438	318	305	627	1851	654
KLS-80DS	80 U.S. gal.	inches	33	28	42.5	34.75	19.5	17.5	19.25	10.5	10	23.88	75.25	29.25
	303 litres	mm	838	711	1080	883	495	445	489	267	254	606	1911	743
KLS-100DS	100 U.S. gal.	inches	35.5	30	44.5	37.25	20.75	17	19.25	12.5	12	26.63	81.75	31.75
	379 litres	mm	902	762	1130	946	527	432	489	318	305	676	2076	806

* Pressure reducing valve is required if incoming pressure exceeds 50 PSI(345 kPa).



SERVICE CONNECTIONS – KPS-DS

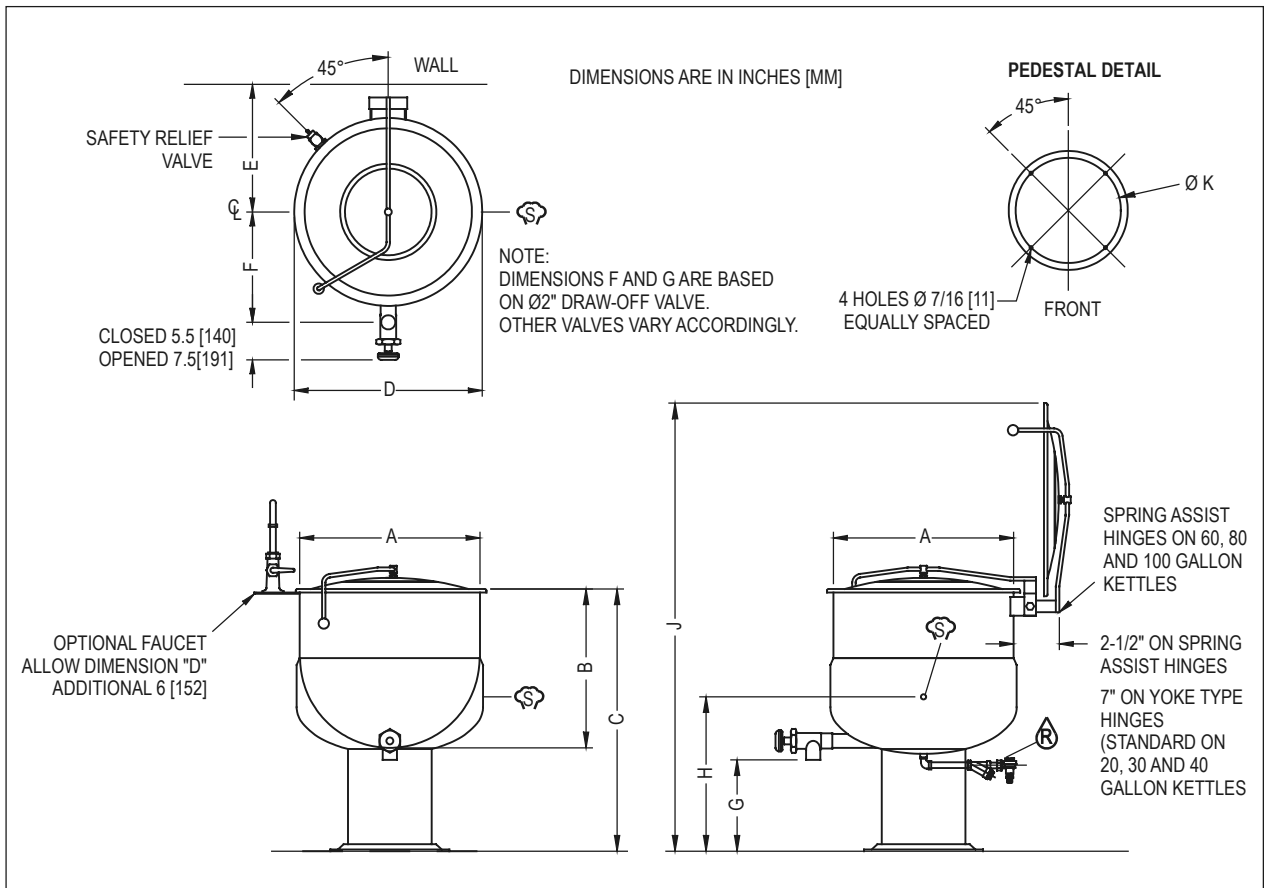
☞ STEAM SUPPLY: 3/4" IPS 5-30 psi (34-205 kPa). Optional 5-45 psi (34-310 kPa). *

Ⓡ CONDENSATE RETURN: 1/2" IPS

DIMENSIONS

MODEL	CAPACITY		A	B	C	D	E	F	G	H	J	K
KPS-20DS	20 gallons	inches	21	18	37	22.75	16	12.75	17.13	25.88	59.75	16.88
	76 litres	mm	533	457	940	578	406	324	435	657	1518	429
KPS-30DS	30 gallons	inches	24	20	37	25.88	17.5	13.5	15.13	26.38	62.88	16.88
	114 litres	mm	610	508	940	657	445	343	384	670	1597	429
KPS-40DS	40 gallons	inches	26	22.5	37	27.88	18.5	14.25	12.63	23.88	64.88	16.88
	152 litres	mm	660	572	940	708	470	362	321	606	1648	429
KPS-60DS	60 gallons	inches	29.5	26	40.5	31.38	17.75	15.5	12.63	24.69	72.88	16.88
	227 litres	mm	749	660	1029	822	451	394	321	627	1851	429
KPS-80DS	80 gallons	inches	33	28	42.5	34.75	19.5	17.5	10.63	23.88	77.25	19.63
	303 litres	mm	838	711	1080	883	495	445	270	606	1962	498
KPS-100DS	100 gallons	inches	35.5	30	44.5	37.25	20.75	17	12.63	26.63	81.75	19.63
	379 litres	mm	902	762	1130	946	527	432	321	676	2076	498

* Pressure reducing valve is required if incoming pressure exceeds 50 PSI(345 kPa).



2.0 INSTALLATION INSTRUCTIONS

1. Select a location to provide drainage directly below the tangent Draw-off Valve.
2. Mark hole locations through flanged adjustable feet on KLS-DS models and through pedestal base on KPS-DS models. Remove kettle.
3. On hole locations marked, drill holes and insert expansion shields to accommodate 5/16" size lag bolts.
4. Reposition kettle. On KLS-DS models level kettle by making necessary adjustment on flanged foot.
5. Bolt down kettle and seal with Silastic or other equivalent sealing compound. Sealant must be applied not only to bolt heads but also around flanges or pedestal base making contact with floor surface to fulfill NSF requirements.
6. Install a steam control valve at a convenient location near kettle on the incoming steam line (3/4" size pipe).
7. Connect steam line to the kettle, making sure there is a steam control valve strainer fairly convenient to the kettle.
8. Connect kettle condensate return line to a drain or to a boiler return line. Each kettle return line must have a suitable steam trap. Boiler return lines must have a check valve.
9. Safety relief valve on kettle must not be plugged as it is set to relieve excess pressure in the kettle.
10. If incoming steam pressure is greater than kettle maximum operating pressure then a pressure reducing valve must be installed in the line.
11. If large amounts of water accumulate in the steam line it will be necessary to install one or more ball float traps in the line to eliminate the water.
12. A steam line pressure gauge is also recommended to determine the actual amount of steam coming to the kettle.
13. Check for proper operation.

3.0 INTRODUCTION

DESCRIPTION

All Crown direct connected steam jacketed kettles pertaining to this manual are direct steam operated pressure vessels of a double-wall stainless steel construction forming a steam chamber (jacket) enveloping the lower two thirds of the kettle bowl surface. All kettles are stationary, floor mounted in fixed positions either on legs with adjustable flanged feet (KLS-DS models) or pedestal (KPS-DS models).

CAPACITIES

All models are suffixed with either - 20, - 30, - 40, - 60, - 80 or -100 to indicate the capacity of that kettle in US gallons. Thus a KLS-40DS is a two thirds jacketed direct steam kettle mounted on legs with a capacity of 40 gallons (US).

FUNCTIONING MODE

Blodgett direct connected steam jacketed kettles consist of a stainless steel bowl and a stainless steel jacket which envelopes two thirds of the lower surface of the bowl thus forming a sealed pressure vessel (chamber) into which steam is introduced by means of a manual control valve.

The kettle bowl is the container for the food product which ideally should be of a liquid or semi-liquid consistency to achieve complete contact with the bowl surface and thus fully absorb the heat transmitted through that surface.

The temperatures required for the cooking process to function adequately must be greater than the boiling point of the liquid food product, ie. water. Further, the greater the steam pressure used, the higher the temperature and consequently the quicker the cooking process. For example, steam pressurized at 30 p.s.i. attains a temperature of 274 degrees Fahrenheit (135 degrees Celsius).

4.0 OPERATING INSTRUCTIONS




CAUTION: THE APPLIANCE AND ITS PARTS ARE HOT. USE CARE WHEN OPERATING, CLEANING OR SERVICING THE APPLIANCE.

OPERATING PROCEDURE

1. Ensure that draw-off valve is closed.
2. Fill kettle with product to desired level.
3. Slowly turn the steam control valve ON to full open position (counter clockwise).
4. The water or food should boil 3 - 4 minutes per gallon. If it does not then incoming pressure should be checked to determine that it is adequate to operate the kettle efficiently.
5. Regulate steam control valve depending on type of food being prepared.
6. When food is cooked, turn off steam, remove food and clean kettle immediately to prevent residue from drying on kettle bowl surface.

5.0 CLEANING INSTRUCTIONS

	CAUTION: Do not use cleaning agents that are corrosive.
---	--


	WARNING: Disconnect the power supply to the appliance before cleaning or servicing.
---	--

	WARNING: Never spray water into electric controls or components!
---	---

	CAUTION: The equipment and its parts are hot. Use care when operating, cleaning and servicing.
---	---

Your kettle should be cleaned immediately after each use or when cooking a different product. Before cleaning, check that the kettle has cooled enough to touch it.

1. Rinse the inside of the kettle thoroughly and drain to remove any food particles.
2. Using a nylon brush, clean the kettle with a mild detergent and water. Never use steel wool or scouring powder as it will scratch stainless steel. Plain steel wool can leave small pieces of steel which can rust.
3. Rinse the inside of the kettle thoroughly with clean water. Drain the kettle by tilting or using the optional tangent draw-off valve to allow the detergent and water solution to drain.
4. Wipe the exterior of the kettle with a clean, damp cloth.

	WARNING: If you are cleaning a valve that is assembled to a kettle, be sure the kettle is <u>completely empty of any product</u>.
---	--

DRAW-OFF VALVE CLEANING

1. If equipped with a tangent draw-off valve, turn the large hex nut on the draw-off valve counterclockwise until it is completely disengaged from the threads. Grasp the valve knob and slowly pull out the valve stem. Wash the valve stem, disk and handle. Insert a nylon brush, wet with detergent and water, into the valve body and tangent draw-off tube. Brush vigorously.
2. Replace the valve stem assembly and turn the hex nut until snug. Rinse the kettle with clean warm water.

3. Leave the draw-off valve open when the kettle is not in use.

DAIRY DRAW-OFF VALVE CLEANING

1. Remove the plug by first removing the handle, then turn the plug to line up with the pin and pull with both hands. It is important to use both hands because the plug is heavy.
2. Put the plug in a plastic pail that contains a mild soap solution. A plastic pail works best, as it reduces the possibility of nicking or scratching the plug. If the plug gets scratched it may not seal correctly and could leak.
3. Use a soft cloth or soft brush and clean all surfaces.
4. Using both hands remove the valve from the soap and rinse well in another plastic pail that contains fresh water.
5. Wash out the kettle as normal.
6. Return the plug into the body. Be sure the plug is inserted into the notch and turned. Ensure the plug is tight and secure before letting go of it.

If you are cleaning a body and plug assembly, remove the plug and follow the above procedures. When finished with the plug, follow the same instructions for washing the body. Always use both hands when handling the plugs. Reassemble the plug into the body and use as normal.

WHAT TO DO IF SURFACE RUST APPEARS

Metal utensils should never be used as they will scratch the surface of the equipment and rust may begin to form. To remove surface accumulation of rust from the inadvertent use of such utensils, the following procedure may be used.



CAUTION: Improper use of this procedure may damage your appliance!

1. Use undiluted white vinegar with a non-abrasive scouring pad (plastic) or cloth on the affected area to remove the rust stain. The appliance should not be heated and remain at room temperature during the entire cleaning process.
2. If the stain resists removal, additional exposure time with vinegar may be required, to a maximum of one hour.
3. Thoroughly wash all of the vinegar away with fresh clear water. Dry the surface completely and allow one hour before using the appliance to cook.

Following daily and period maintenance procedures will prolong the life for your equipment. Climatic conditions - salt air - may require more thorough and frequent cleaning or the life of the equipment could be adversely affected.

STAINLESS STEEL

To remove normal dirt, grease or product residue from stainless steel, use ordinary soap and water (with or without detergent) applied with a sponge or cloth. Dry thoroughly with a clean cloth. Never use vinegar or any other corrosive cleaner.

To remove grease and food splatters or condensed vapours that have baked on the equipment, apply cleanser to a damp cloth or sponge and rub cleanser on the metal in the direction of the polishing lines. Rubbing cleanser as gently as possible in the direction of the polished lines will not mar the finish of the stainless steel. **NEVER RUB WITH A CIRCULAR MOTION.**

Soil and burn deposits which do not respond to the above procedure can usually be removed by rubbing the surface with **SCOTCH-BRITE™** scouring pads or **STAINLESS** scouring pads. **DO NOT USE ORDINARY STEEL WOOL** as any particles left on the surface will rust and further spoil the appearance of the finish. **NEVER USE A WIRE BRUSH, STEEL SCOURING PADS (EXCEPT STAINLESS), SCRAPER, FILE OR OTHER STEEL TOOLS.** Surfaces which are marred collect dirt more rapidly and become more difficult to clean. Marring also increases the possibility of corrosive attack. Refinishing may then be required.

TO REMOVE HEAT TINT: Darkened areas sometimes appear on stainless steel surfaces where the area has been subjected to excessive heat. These darkened areas are caused by thickening of the protective surface of the stainless steel and is not harmful. Heat tint can normally be removed by the foregoing, but tint which does not respond to this procedure calls for a vigorous scouring in the direction of the polish lines using **SCOTCH-BRITE™** scouring pads or a **STAINLESS** scouring pad in combination with a powdered cleanser. Heat tint action may be lessened by not applying or by reducing heat to equipment during slack periods.

All food contact surfaces must be thoroughly drained and flushed prior to cooking in the kettle.

CONTROL PANEL: The textured control panel should be cleaned with warm water and mild soap. Never use an abrasive cloth or steel wool. Never use cleaning solvents with a hydrocarbon base

6.0 TROUBLESHOOTING MAINTENANCE

PREVENTIVE MAINTENANCE

No preventive maintenance is required other than adhering to the Cleaning Procedure instructions.

DRAW-OFF VALVE LEAKS

If a leak occurs through the valve stem, replace the "O" ring.

If the leak can be attributed to faulty sealing occurring between the stem disc and valve seat, then this problem may be corrected by cleaning off the dried-on food residue with extremely fine emery cloth. If the vulcanized rubber stem piece has been damaged, it must be replaced.

NOTICE

DRAW OFF VALVE HAS A VULCANIZED RUBBER COATED STEM FOR BETTER SEALING. DO NOT OVER TIGHTEN. THIS MAY CAUSE THE RUBBER TO PULL AWAY FROM STEM AND CAUSE PERMANENT DAMAGE.

EXTREMELY SLOW COOKING TIME

If the cooking time is abnormally slow, this may be due to insufficient steam pressure and/or volume. First determine that pressure on incoming steam line at kettle is within 5 p.s.i. of rated kettle pressure. Note that pressures approaching the rated kettle pressure are liable to set off the safety relief valve. If required pressure is available to kettle, then possibly volume of steam is not sufficient. Minimum 3/4" pipe size is required to the kettle but if the steam generating source is at a great distance from the kettle, larger supply pipe will be required. Finally, the core of the steam supply pipe may have debris or scalants that impede steam flow and will require disassembly and inspection.

TROUBLESHOOTING MAINTENANCE (continued)

VENTING

It is recommended that the “optional” steam trap assembly be installed. This should be plumbed to the exit end of the kettle. The thermostatic trap is a mechanical device that closes on high temperature and opens when the temperature drops, allowing the water which formed from condensate to exhaust but retain the steam under pressure.

The temperatures required for the cooking process to function adequately must be greater than the boiling point of the liquid food product, that is, water. The greater the steam pressure used, the higher the temperature and the quicker the cooking process. For example, steam pressurized at 30 p.s.i. reaches a temperature of 274 degrees Fahrenheit (135 degrees Celsius). Since air is an unsuitable media through which heat may be transferred, the air should be exhausted from the jacket by opening the pressure relief valve or ball valve until the air has been completely replaced by pressurized steam.

In the initial stages of the cooking process when the steam comes in contact with the cold kettle bowl surface, it condenses and forms a large amount of water. This condensate water must be removed from the kettle jacket in order for the kettle to function adequately. The ball valve located at the base of the kettle jacket may be opened to remove the water. It may be necessary to repeat this procedure several times depending on the number of batches being cooked as each batch will create condensate. If the kettle appears to be slow in heating, this would indicate that there is water in the jacket. Open ball valve and drain. Close valve and commence operation of kettle.

Free Manuals Download Website

<http://myh66.com>

<http://usermanuals.us>

<http://www.somanuals.com>

<http://www.4manuals.cc>

<http://www.manual-lib.com>

<http://www.404manual.com>

<http://www.luxmanual.com>

<http://aubethermostatmanual.com>

Golf course search by state

<http://golfingnear.com>

Email search by domain

<http://emailbydomain.com>

Auto manuals search

<http://auto.somanuals.com>

TV manuals search

<http://tv.somanuals.com>