



SkeeterVac[®]

The Mosquito Exterminator



Owner's Manual

Model#CPSV003589

SV-2000A

Save these instructions for future reference. If you are assembling this unit for someone else, give this manual to him or her to read and save for future reference.

While information in this manual is based on the latest information available at the time of publication, we reserve the right to change it at any time, without notice.



SV2000A-OM-102 EF

**DO NOT RETURN TO STORE, THIS PRODUCT IS
UNDER MANUFACTURER'S WARRANTY.
CALL 1.888.753.7137 FOR ASSISTANCE.**



GENERAL HAZARD WARNING

FAILURE TO COMPLY WITH THE PRECAUTIONS AND INSTRUCTIONS PROVIDED WITH THIS APPLIANCE, CAN RESULT IN DEATH, SERIOUS BODILY INJURY AND PROPERTY LOSS OR DAMAGE FROM HAZARDS OF FIRE, EXPLOSION, BURN, ASPHYXIATION, CARBON MONOXIDE POISONING, AND/OR ELECTRIC SHOCK.
IF YOU NEED ASSISTANCE OR APPLIANCE INFORMATION SUCH AS AN INSTRUCTIONS MANUAL, LABELS, ETC. CONTACT THE MANUFACTURER.



WARNING

FIRE, BURN, INHALATION, AND EXPLOSION HAZARD. KEEP SOLID COMBUSTIBLES, SUCH AS BUILDING MATERIALS, PAPER OR CARDBOARD, FEATHERS, STRAW AND DUST A SAFE DISTANCE AWAY FROM THE APPLIANCE AS RECOMMENDED BY THE INSTRUCTIONS. NEVER USE THE APPLIANCE IN SPACES WHICH CONTAIN OR MAY CONTAIN VOLATILE OR AIRBORNE COMBUSTIBLES, OR PRODUCTS SUCH AS GASOLINE, SOLVENTS, PAINT THINNER, DUST PARTICLES OR UNKNOWN CHEMICALS.



WARNING

FOR YOUR SAFETY:

If you smell gas:

1. Shut off gas to the appliance.
2. Extinguish any open flame.
3. If odor continues, immediately call your gas supplier or your fire department.



WARNING

FOR YOUR SAFETY:

1. Do not store or use gasoline or other flammable vapors and liquids in the vicinity of this or any other appliance.
2. An LP gas tank not connected for use shall not be stored in the vicinity of this or any other appliance.



WARNING

FOR YOUR SAFETY:

1. Gas leaks may cause a fire or explosion which can cause serious bodily injury or death, or damage to property.
2. You must follow all leak-checking procedures before operating this unit.
3. Never use an open flame to check for leaks.



WARNING

California Proposition 65

Chemicals known to the State of California to cause cancer, birth defects, or other reproductive harm are created by the combustion of propane.



Owner's Manual

Contents

| | |
|--|----|
| Safety First! | 3 |
| Important Information | 4 |
| a. Important Information About Octenol | |
| b. Important Information About Ultraviolet Light | |
| c. Mosquito Facts | |
| d. Controlling Mosquitoes | |
| e. Helpful Links | |
| Quick & Easy Assembly | 5 |
| Parts List | 6 |
| Operation..... | 7 |
| a. Placement | |
| b. FineTune®: Customizing the Lure Output | |
| c. To Start | |
| d. To Turn Off | |
| Maintenance..... | 8 |
| a. Routine Service | |
| b. Routine Maintenance: Keeping Air Packages Clear | |
| c. Replacing Ignitor Battery | |
| d. End of Season Storage | |
| Warranty..... | 11 |
| a. Product Registration | |
| b. Limited Warranty | |

Blue Rhino Global Sourcing, LLC

104 Cambridge Plaza Drive

Winston-Salem, North Carolina 27104 USA

Phone: 888.753.7137

24 Hour Fax: 336.659.6743

Email: Help@SkeeterVac.com

U.S. Patent Number: D496,708; D496,426; Patent Pending

©2004 Blue Rhino Global Sourcing, LLC. All Rights Reserved.

SkeeterVac® and FineTune® are registered trademark of Blue Rhino Global Sourcing, LLC. WaveDrawer™ and TacTrap™ are trademarks of Blue Rhino Global Sourcing, LLC. All Rights Reserved.

Blue Rhino® is a registered trademark of Ferrellgas, L.P.
All Rights Reserved.

Congratulations on the purchase of your new SkeeterVac® device from Blue Rhino®. This product incorporates scientific research and technological and mechanical innovation to bring you a safe, simple and effective approach to mosquito control that will allow you to better enjoy outdoor living.



WARNING

Please read and understand entire contents of this Owner's Manual before starting or operating your SkeeterVac® device. If you do not understand anything please contact 1.888.753.7137 before proceeding.

This product will provide the following results when used as directed:

- Attract, trap and kill certain flying biting insects such as mosquitoes, no-see-ums, midges, sand flies and black flies.
- Reduce the nuisance of certain flying biting insects.
- Over a 4-6 week period reduce overall mosquito populations by exterminating egg laden female mosquitoes.

This product is *not* capable of:

- Completely eliminating biting insect populations.
- Eliminating the possibility of disease from flying biting insects.

Important Notices and Safety Warnings

- Product performance can vary due to weather, wind and other environmental conditions.
- It is a violation of Federal law to use this product in a manner inconsistent with its labeling.
- FOR OUTDOOR USE ONLY - NEVER use indoors.
- Buyer assumes all responsibility for safety and use not in accordance with directions.
- Locate your SkeeterVac® device outdoors at least 5 feet from combustible materials.

- Minimum clearance from unit to combustible construction, 21 inches from sides and 21 inches from back. Do not locate this appliance under overhead unprotected combustible surfaces
- NEVER use near gasoline or other flammable vapors or liquids.
- Keep air intake areas clear of dust, dirt and debris
- Do not allow children to operate or play near a SkeeterVac® device when it is in use.
- NEVER move a SkeeterVac® device when in use.
- Inspect for damage and wear during each maintenance cycle.
- The hose assembly shall be visually inspected on an annual basis. If it is evident there is excessive abrasion or wear, or if the hose is cut, it must be replaced prior to the appliance being put in operation. The replacement hose assembly shall be that specified by the manufacturer

CAUTION: Use only the gas regulator supplied with this appliance

- Never operate if parts are damaged, missing or improperly installed.
- Use only quality propane and 20# DOT approved tanks from a reliable source such as Blue Rhino®.
- Always transport your tank in a secure, well-ventilated location in your vehicle. Tank should be upright with valve turned off. Tank should be taken directly to and from place of use.
- It is recommended to use only FineTune® mosquito attractant in your SkeeterVac®. The use of other attractants has not been tested with your product, and void your warranty.
- Maximum inlet gas supply pressure is 11 inch water column



Important Information

Your SkeeterVac[®] device operates 24 hours a day to help reduce the nuisance of mosquitoes. It attracts female mosquitoes that are seeking a blood meal to nourish their eggs. By removing these females you also remove their eggs.

- It may take up to 3-4 weeks to see a noticeable reduction in the nuisance. Be patient
- Begin operating your SkeeterVac[®] device once low temperatures remain above 50 degrees F
- To reduce and maintain mosquito populations it is important for your SkeeterVac[®] device to operate continuously. Do not turn SkeeterVac[®] off and replace tank as soon as it is empty
- Always contact our experts before returning product to place of purchase

Important Information About Octenol

Your SkeeterVac[®] device includes a lure that contains octenol (1-octen-3-ol). This pesticide is an effective attractant supplement for some mosquito species.

KEEP OUT OF REACH OF CHILDREN

CAUTION: Harmful if swallowed, absorbed through the skin or inhaled. Avoid contact with skin, eyes and mouth. Wash hands thoroughly with soap and water after handling.

Important Information About Ultraviolet Light

This device radiates intense ultraviolet (UV) light when operated.

CAUTION: Do not look directly at the device during operation. Exposure to UV light, even for a brief period, can damage your eyes.

For expert assistance call toll free - 1.888.753.7137. Always contact our experts before returning product to place of purchase.

Mosquito Facts

- About 3,000 species of mosquitoes have been identified on a worldwide basis. Approximately 150 are known to exist in North America
- There are approximately 25 known "human nuisance species" of mosquitoes
- Most adult mosquitoes only have a life span of 2-4 weeks
- Only female mosquitoes bite

- Mosquitoes are very effective at reproducing - attracting, trapping and killing just one female mosquito at the start of mosquito season can prevent the birth of up to 25,000 more mosquitoes that season alone!

Controlling Mosquitoes

In addition to properly installing and using a SkeeterVac[®] device, you can reduce mosquito breeding around your home significantly by reducing the amount of water that is stagnating on your property. Be aware that mosquitoes can and will develop in any puddle or pool of water that lasts more than 4 days.

- Dispose of cans, plastic containers, pots, or similar water-holding containers that have accumulated on your property
- Drill holes in the bottom of containers that you must leave out of doors – trash cans, recycling bins, etc
- Clean clogged roof gutters on an annual basis
- Turn over plastic wading pools when not in use
- Turn over wheelbarrows, empty planters, or children's toys when not in use
- Don't allow water to stagnate in birdbaths
- Aerate ornamental pools or stock them with fish
- Clean and chlorinate swimming pools that are not being used. Don't forget that mosquitoes breed in the water that collects on swimming pool covers
- Use landscaping features or drainage tools to eliminate standing water that collects in low spots on your property

Helpful Links

More information about mosquitoes in the United States can be found on the following sites, among many others.

- The American Mosquito Control Association
<http://www.mosquito.org>
- US Environmental Protection Agency
<http://www.epa.gov/pesticides/factsheets/skeeters.htm>
- National Center for Infectious Diseases
<http://www.cdc.gov/ncidod/diseases/listmosquitoborne.htm>

None of the agencies listed above is an endorser of the SkeeterVac[®] device, and inclusion on the list above does not signify that they endorse the SkeeterVac[®] device. Links provided for customer information only.

Quick & Easy Assembly

To complete assembly you will need:

- 1 precision-filled standard grill LP gas tank (20#) with external valve threads
- 4 oz. leak check solution - mix 1 part dishwashing soap with 3 parts water



Tip: to locate a retailer in your neighborhood that provides precision-filled tanks, visit www.bluerhino.com or call toll free 1.800.258.7466.

1. Assemble Cart Frame

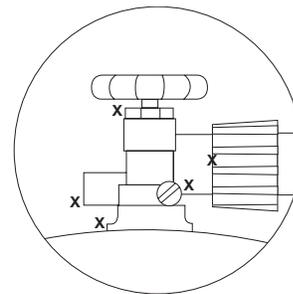
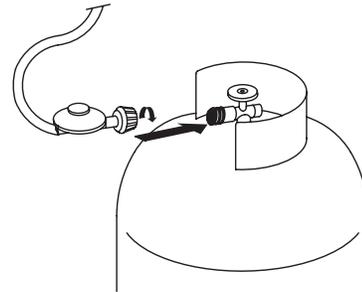
- Slide front section of cart frame into rear section of frame.
- Attach with bolts, washers and nuts as shown.
- Hand tighten securely.

2. Attach Engine to Post

- Place engine onto post.
- Press down until the snaps engage.
- Slide WaveDrawer™ into engine.
- Position FineTune® ring and lure in place.

3. LP Gas Tank

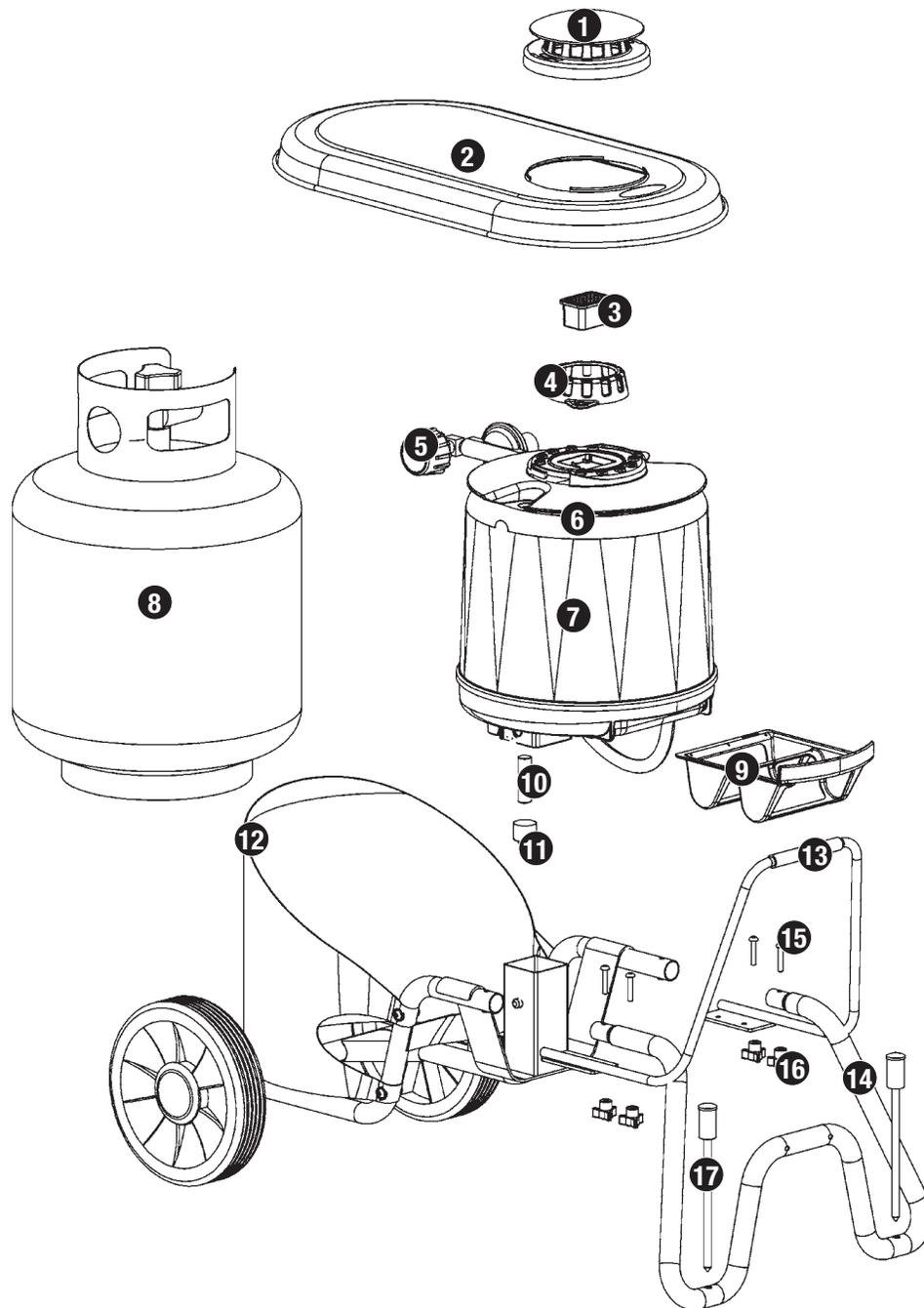
- Place full LP gas tank on cart.
- Connect gas line to tank by turning knob clockwise until it stops.
- Turn tank ON and test for leaks:
 - Spoon leak check solution where knob and tank valve connect.
 - If any bubbles appear turn tank OFF, reconnect and re-test.
 - If no bubbles appear after one minute turn tank OFF, wipe away solution and proceed.
- Wrap cover around tank and attach to frame.



4. Attach Rain Cover

- Place rain cover over engine and tank.
- Secure in place by twisting FineTune® lock clockwise until it stops.





- | | | | |
|---|-----------------|--|-----------------|
| 1. FineTune® Lock | A57-04-207 | 10. AA Battery | Sold Separately |
| 2. Rain Cover | A57-04-557 | 11. Battery Cap | 57-04-555 |
| 3. FineTune® Biting Insect Lure | Sold Separately | 12. Tank Cover | A57-04-582 |
| 4. FineTune® Ring. | A57-04-194 | 13. Handle | A57-04-581 |
| 5. Low Pressure Hose & Regulator Assembly | A57-04-561 | 14. Cart | A57-04-579 |
| 6. Engine | A57-04-038 | 15. Screw (4) M5x30 Zinc Plated Pan Head Screw | 57-04-266 |
| 7. TacTrap™ | Sold Separately | 16. Nut (4) M5 Nut | 57-04-263 |
| 8. LP Gas Tank | Sold Separately | 17. Security Stakes (2) | A57-04-572 |
| 9. Wave Drawer™ | A57-04-558 | | |

Placement

The use and installation of this product must conform to local codes. In absence of local codes, use the National Fuel and Gas Code, ANSI Z223.1/NFPA 54, Storage and Handling of Liquefied Petroleum Gases, ANSI/NFPA 58 or CSA B149.1, Natural Gas and Propane Installation Code.

Properly positioning your SkeeterVac® device is important to maximizing performance. Since the SkeeterVac® device attracts mosquitoes it should be placed at least 10 feet from your living areas.

Mosquitoes typically live in areas that are shady, wet and / or moist. Determine the primary mosquito habitat and place your SkeeterVac® device as close as possible to it.

If you live in an area with consistent wind, place your SkeeterVac® device upwind from the primary mosquito habitat.

CAUTION: Tipping danger. Use stakes to secure.

Once you have selected the location, secure the SkeeterVac® device by placing a stake in each of the (2) front feet.

Maximum performance may require relocating your SkeeterVac® device from time to time. Before moving make sure rain cover and cylinder cover are secured. To move, hold the handle and lift upward. Pull to the new location.

FineTune®: Customizing the Lure Output

The amount of octenol your SkeeterVac® device dispenses is important to maximizing performance. Some mosquito species are highly attracted to octenol while others are less attracted.

This product contains an easy-to-use feature that allows you to customize the amount of octenol released to match the species in your environment.

1. Remove FineTune® lock by turning counterclockwise
2. Remove foil seal from the Biting Insect Lure
3. Place lure back into holder with holes orienting upward

4. From the illustrations provided on the engine label, select the environment that best matches the area you are protecting
5. Position the ring so it points to your environment

To Start

1. With the rain cover removed, turn gas ON at LP gas tank by slowly turning valve counterclockwise 2 full turns and be prepared IMMEDIATELY to follow step 2
2. IMMEDIATELY press and hold the red igniter button down until you hear a “POP” sound indicating ignition. Normally occurs within 20 seconds
3. The needle on the engine gauge should begin to move into the green zone, indicating ignition is complete

CAUTION: If needle does not move within 20 seconds after “POP”, shut gas off at tank and wait 3 to 5 minutes before attempting to restart the engine

4. Replace the rain cover

To Turn Off

Turn gas OFF at LP gas tank by turning valve clockwise until it stops

CAUTION - The gas supply must be turned off at the LP-gas tank when this outdoor gas appliance is not in use.



Routine Service

To ensure maximum performance and to lengthen the life of your SkeeterVac[®] device, perform these steps each time your tank is empty. This model will consume a standard 20# LP gas tank every 14-16 days.

1. Turn valve on propane tank OFF
2. Disconnect gas line from tank by turning knob counterclockwise
3. Remove empty tank replace with full LP gas tank
4. Reconnect gas line to LP tank by turning knob clockwise
5. Remove tank cover from empty tank and place on full tank
6. Remove WaveDrawer[™], empty and slide back in place
7. Remove rain cover from top of SkeeterVac[®]
8. Remove used TacTrap[™] and dispose of properly
9. Slide fresh TacTrap[™] in place and remove protective paper
10. *Remove used lure (if necessary) and properly dispose
11. Remove fresh lure from package (if necessary). Dispose of packaging properly
12. Place fresh lure into well (if necessary)
13. Set FineTune[®] ring to desired setting
14. Check engine and gas lines for any sign of damage or missing parts. Repair any problems before attempting to start
15. To start - follow instructions "To Start" on page 6
16. Once started, securely attach the rain cover
17. Wash hands with soap and water

*Lure lasts 60 days

Replacing Igniter Battery

If you do not hear a clicking sound when the igniter button is depressed, the battery may have lost its charge. Replace battery as follows:

- Open battery compartment by turning cap on bottom of engine counterclockwise
- Remove used battery and properly dispose
- Place fresh AA battery into compartment – negative (-) end goes in first
- Secure cap by turning clockwise until it stops

End of Season Storage

To lengthen the life of your SkeeterVac[®] device, perform these simple steps at the end of the mosquito season.

1. Turn valve on LP gas tank OFF
2. Disconnect gas line from tank by turning knob counterclockwise
3. Remove tank cover
4. Remove LP gas tank and store outdoors away from children and must not be stored in a building, garage or other enclosed area
5. Remove and properly dispose of the TacTrap[™] and lure
6. Cover your SkeeterVac[®] device to protect from dust and store it in a cool dry place

CAUTION: Storage of an outdoor gas appliance indoors is only permissible if the tank is disconnected and removed from the outdoor gas appliance.

Routine Maintenance – Keeping Air Passages Clear

For your mosquito exterminator to operate properly, the vacuum fan must function without restriction. It is important to check for freedom of operation and to clean the fan to prevent any possibility of blockage or restriction. If the fan is blocked and left blocked for several days or more, the warmth from operation can seriously damage the unit.



To Inspect

Perform every 2 days when in operation.

Tools Required: Flashlight

1. Remove rain cover, FineTune® ring and lure.
2. Check vacuum path around appliance by pointing flashlight into the gap between cover and black engine body. See illustration 1.
3. Check fan area by pointing flashlight beam through center of engine cover into fan area. See illustration 2.
4. If passages are clear and fan is operating properly, replace FineTune® ring, lure and rain cover. If not, clean.

To Clean

Perform whenever there is enough build-up to slow or stop fan operation.

Tools Required: Phillips screwdriver and/or pliers, cleaner, cloth, plastic knife.

- 1. Safety First!** – Shut engine OFF by turning gas tank valve to CLOSED position. Disconnect regulator from tank by turning black knob counterclockwise. Wait for engine to cool to the touch.



2. Clean Air Passages

- Remove rain cover, sticky trap, FineTune® ring and lure.
- Locate all screws and/or bolts that connect engine cover to engine body. See illustration 3.

Note: certain models require you to cut a hole through the labels.

- Remove engine cover by removing screws and/or bolts and unplugging lighting. See illustration 4.
- Spray dirty engine body, fan area and engine cover with glass cleaner (i.e. Windex®) or a citrus based degreaser. See illustration 5.

NOTICE – Never use cleaning fluid or petroleum based fuels and avoid contact with LED lighting and fan motor to avert damage.

- Allow cleaners to soak in then wipe all surfaces clean and dry with a cloth. See illustration 6. If there is stubborn build-up, remove it by scrapping with a plastic knife. See illustration 7.
- Reconnect LED lighting and plastic engine cover. Replace sticky trap, FineTune® ring, lure and rain cover.

3. Clean Turbo Scoop

- Remove WaveDrawer™ and remove engine from post or cart.
- Remove plastic plug in bottom of metal engine by reaching up through exhaust hole. See illustration 8.
- Turn engine head upside down to remove debris from turbo scoop.
- Replace plastic plug. Place engine back on post or cart and replace WaveDrawer™.

- 4. Reconnect** regulator to tank by turning clockwise. Perform leak test before re-starting.



Product Registration

Please register your SkeeterVac® device immediately. To register visit www.SkeeterVac.com or call 1.888.753.7137 toll free.

Limited Warranty

Blue Rhino Global Sourcing, LLC ("Vendor") warrants to the original retail purchaser of this mosquito elimination device, and to no other person, that if this mosquito elimination device is assembled and operated in accordance with the printed instructions accompanying it, then for a period of one (1) year from the date of purchase, all parts in such mosquito elimination device shall be free from defects in material and workmanship. Vendor may require reasonable proof of your date of purchase from an authorized retailer or distributor. Therefore, you should retain your sales slip or invoice. This Limited Warranty shall be limited to the repair or replacement of parts, which prove defective under normal use and service and which Vendor shall determine in its reasonable discretion upon examination to be defective. Before returning any parts, you should contact Vendor's Customer Service Department using the contact information listed below. If Vendor confirms, after examination, a defect covered by this Limited Warranty in any returned part, and if Vendor approves the claim, Vendor will replace such defective part without charge. If you return defective parts, transportation charges must be prepaid by you. Vendor will return replacement parts to the original retail purchaser, freight or postage prepaid.

This Limited Warranty does not cover any failures or operating difficulties due to accident, abuse, misuse, alteration, misapplication, improper installation or improper maintenance or service by you or any third party, failure to perform normal and routine maintenance on the mosquito elimination device, shipping damage, normal adjustment to burner, damage or repairs related to insects, birds, or animals of any kind, and damage due to weather conditions as set out in this owner's manual. In addition, the Limited Warranty does not cover damage to the finish, such as scratches, dents, discoloration, rust or other weather damage, after purchase.

This Limited Warranty is in lieu of all other express warranties. Vendor disclaims all warranties for products that are purchased from sellers other than authorized retailers or distributors. AFTER THE PERIOD OF THE ONE (1)-YEAR EXPRESS WARRANTY, VENDOR DISCLAIMS ANY AND ALL IMPLIED WARRANTIES, INCLUDING WITHOUT LIMITATION THE IMPLIED WARRANTIES OF MERCHANTABILITY AND FITNESS FOR A PARTICULAR PURPOSE. FURTHER, VENDOR SHALL HAVE NO LIABILITY WHATSOEVER TO PURCHASER OR ANY THIRD PARTY FOR ANY SPECIAL, INDIRECT, PUNITIVE, INCIDENTAL, OR CONSEQUENTIAL DAMAGES. Vendor assumes no responsibility for any defects caused by third parties. This Limited Warranty gives the purchaser specific legal rights; a purchaser may have other rights depending upon where he or she lives. Some jurisdictions do not allow the exclusion or limitation of special, incidental or consequential damages, or limitations on how long a warranty lasts, so the above exclusion and limitations may not apply to you.

Vendor does not authorize any person or company to assume for it any other obligation or liability in connection with the sale, installation, use, removal, return, or replacement of its equipment, and no such representations are binding on Vendor.

Blue Rhino Global Sourcing, LLC
104 Cambridge Plaza Drive
Winston-Salem, North Carolina 27104 USA
Phone: 888.753.7137
24 Hour Fax: 336.659.6743
Email: Help@SkeeterVac.com





Enregistrement de la garantie

Veillez enregistrer votre appareil SkeeterVac® immédiatement. Pour l'enregistrer, consulter le site internet ou appelez sans frais le 1.888.753.7137

Garantie limitée

La société Blue Rhino Global Sourcing, LLC ("le fabricant") garantit cet appareil exterminateur de moustiques et à aucune autre personne, contre tout vice de fabrication et matériau de fabrication défectueux pendant un (1) an à partir de la date d'achat si l'appareil est monté et utilisé conformément aux instructions imprimées fournies. Le fabricant vous demandera sans doute une preuve raisonnable d'achat indiquant que cet appareil a été acheté auprès d'un revendeur agréé, veuillez donc conserver votre facture ou votre reçu. Cette garantie limitée se limitera à la réparation ou au remplacement de pièces ayant été déterminées défectueuses par le fabricant lors de conditions d'utilisation et d'entretien normales. Avant de renvoyer une pièce, contactez le service à la clientèle du fabricant (Customer Service Department) à l'adresse ci-dessous. Si le fabricant confirme le défaut de fabrication comme étant couvert par la garantie et approuve la réclamation, ce dernier remplacera gratuitement les dites pièces. Si vous devez renvoyer des pièces défectueuses, les pièces devront être expédiées port-payé. Le fabricant s'engage à renvoyer les pièces à l'acheteur initial port-payé. Cette garantie limitée ne couvre pas les pannes et dysfonctionnements survenant suite à tout accident, mauvais usage, entretien incorrect de cet exterminateur de moustiques, ou toute modification, mauvaise installation ou négligence comme il a été établi dans ce manuel. Cette garantie limitée ne couvre pas non plus les dommages survenant lors du transport, le réglage normal du brûleur, ni les dommages ou les réparations liées aux insectes, oiseaux ou animaux quels qu'ils soient ni les dommages liés aux conditions météorologiques comme il a été établi dans ce manuel. De plus, cette garantie limitée ne couvre pas le fini, à savoir les rayures, les bosses, les traces de décoloration, de rouille ou les dommages résultant des intempéries après achat de l'appareil.

Cette garantie remplace toute autre garantie expresse et il n'existe aucune autre garantie expresse à l'exception de la couverture indiquée ici. Le fabricant désavoue toute garantie couvrant des produits ayant été achetés auprès de revendeurs autres que les revendeurs et distributeurs agréés. APRÈS UN (1) AN, À SAVOIR LA DURÉE DE LA COUVERTURE DE LA GARANTIE EXPRESSE, LE FABRICANT DÉSAVOUE ET DÉCLINE TOUTE GARANTIE IMPLICITE Y COMPRIS TOUTE GARANTIE DE COMMERCIALITÉ ET D'ADAPTATION À UN USAGE PARTICULIER, DE PLUS, LE FABRICANT NE POURRA ÊTRE TENU RESPONSABLE PAR L'ACHETEUR OU UN TIERS POUR TOUTS DÉGÂTS ET DOMMAGES PARTICULIERS, INDIRECTS, PUNITIFS OU CONSÉCUTIFS.

Le fabricant décline toute responsabilité en cas de panne ou dysfonctionnement résultant d'une modification ou altération effectuée par un tiers. Cette garantie limitée octroie des droits juridiques spécifiques à l'acheteur et il est possible que ce dernier en possède d'autres selon sa localité. Certaines juridictions ne permettent pas l'exclusion ni la limitation de dommages consécutifs ou accessoires et ces limitations peuvent ne pas vous être applicables.

Le fabricant ne permet en aucun cas à une personne ou à une société de s'attribuer les responsabilités et les obligations liées à la vente, l'installation, l'utilisation, la dépose ou le remplacement de cet appareil, et aucune de ces représentations n'engage la responsabilité du fabricant.

Blue Rhino Global Sourcing, LLC
104 Cambridge Plaza Drive
Winston-Salem, North Carolina 27104, États-Unis
Téléphone 888.753.7137
Télécopie 24h par jour: 336.659.6743
Courriel: Help@SkeeterVac.com

2. Nettoyez les ouvertures d'aération

- Retirez le cache de protection contre la pluie, l'anneau FineTune® et l'appât.

- Déterminez l'emplacement de toutes les vis et/ou boulons qui retiennent le couvercle au moteur. (Voir illustration 3)
- Remarque: sur certains modèles, vous devrez découper une ouverture à travers les étiquettes.
- Retirez le couvercle du moteur en retirant les vis et/ou les boulons et en débranchant l'éclairage. (4)

- Vaporisez le moteur sale, le ventilateur et le couvercle du moteur avec un nettoyeur pour surfaces en verre (Windex®) ou un dégraisant à base de citron (Voir illustration 5).

ATTENTION - N'utilisez jamais de fluide nettoyant ni de carburants à base de pétrole. Évitez tout contact avec un éclairage LED et un moteur de ventilateur afin de ne pas l'endommager.

- Laissez le produit de nettoyage poser puis essuyez toutes les surfaces et séchez-les avec un chiffon sec. (Voir illustration 6) En cas de résidus coriaces, retirez-les avec un couteau à mastiquer. (Voir illustration 7)

- Rebranchez l'éclairage LED et remettez en place le couvercle en plastique du moteur. Remettez en place le piège adhésif, l'anneau FineTune®, l'appât et le cache de protection contre la pluie.

3. Nettoyez l'ouverture d'aspiration Turbo Scoop:

- Retirez le compartiment WaveDrawer™ et retirez le moteur du montant sur lequel il est installé ou du chariot.
- Retirez le bouchon en plastique du fond du moteur métallique en passant par l'ouverture d'échappement des gaz. (Voir illustration 8)
- Placez la tête du moteur à l'envers afin de retirer les débris de l'ouverture Turbo Scoop.

- Remettez en place le bouchon en plastique. Réinstallez le moteur sur le montant ou le chariot et remettez en place le WaveDrawer™.

4. Rebranchez le régulateur sur la bonbonne en le tournant dans le sens des aiguilles d'une montre. Assurez-vous que le dispositif ne présente aucune fuite en respectant les procédures de détection de fuite avant de mettre en marche l'appareil.





Entretien courant - Veillez à ce que les ouvertures d'aération demeurent propres

Pour que l'exterminateur de moustiques fonctionne correctement, le ventilateur d'aspiration doit pouvoir fonctionner sans que rien ne limite son fonctionnement. Il est primordial de s'assurer que rien ne gêne le mouvement des pales et que le ventilateur a bien été nettoyé afin d'éviter que rien ne bloque ni restreigne son fonctionnement. Si un corps étranger bouche ou empêche le bon fonctionnement du ventilateur pendant quelques jours ou plus, la chaleur générée par le ventilateur risque d'endommager l'appareil.



Pour inspecter

Effectuez les vérifications suivantes tous les 2 jours lorsque vous utilisez l'appareil.

Outils requis: une lampe de poche

1. Retirez la housse de protection contre la pluie, l'anneau FineTune® et l'appât.
2. Vérifiez la voie d'aspiration autour de l'appareil en éclairant avec votre lampe de poche l'espace entre le couvercle et le moteur noir (Voir illustration 1).
3. Vérifiez la zone du ventilateur en balayant l'intérieur du couvercle du moteur avec le faisceau de votre lampe de poche (Voir illustration 2).
4. Si les ouvertures sont propres et si le ventilateur fonctionne correctement, remettez-en place l'anneau FineTune®, l'appât et cache de protection contre la pluie. Si les ouvertures sont sales, nettoyez-les.

Pour nettoyer

Nettoyez le ventilateur à chaque fois que ce dernier présente suffisamment de résidus pour ralentir ou bloquer le fonctionnement du ventilateur.

Outil requis: Un tournevis cruciforme Phillips et/ou des pinces, un produit de nettoyage, un chiffon, un couteau à mastiquer.

1. **La sécurité avant tout!** – Arrêtez le moteur en réglant la valve de la bonbonne sur "CLOSED" (fermé). Débranchez le régulateur de la bonbonne en tournant le bouton noir dans le sens inverse à celui des aiguilles d'une montre. Attendez que le moteur soit froid au toucher.



Entretien de routine

Pour une performance optimale et afin d'assurer la pérennité de votre appareil SkeeterVac®, suivez les étapes suivantes à chaque fois que votre bonne de gaz est vide. Ce modèle consommera une bonne de propane standard 20# (9 kg) tous les 19 à 21 jours.

1. Tournez la valve de la bonne afin de la régler sur OFF (fermé).
2. Débranchez la conduite de gaz de la bonne en tournant le bouton dans le sens inverse à celui des aiguilles d'une montre
3. Retirez la bonne vide, remplacez-la par une bonne pleine.
4. Rebranchez la conduite de gaz sur la bonne en tournant le bouton dans le sens des aiguilles d'une montre.
5. Retirez la housse protectrice de la bonne vide et accrochez-la à nouveau sur la bonne pleine.
6. Retirez le compartiment Wave Drawer™, videz-le et remettez-le en place en le glissant.
7. Retirez le cache de protection contre la pluie du SkeeterVac®.
8. Retirez le piège TacTrap™ et jetez-le comme il se doit.
9. Placez un nouveau piège TacTrap™ et retirez le papier protecteur.
10. * Retirez l'appât usé (si nécessaire) et jetez-le comme il se doit.
11. Retirez l'appât neuf de l'emballage (si nécessaire). Jetez l'emballage comme il se doit.
12. Placez le nouvel appât dans le renfoncement (si nécessaire).
13. Réglez l'anneau FineTune® sur le réglage désiré.
14. Vérifiez les conduites de gaz et du moteur afin de vous assurer qu'elles ne sont pas endommagées et qu'aucune pièce ne s'avère manquante. Réparez et corrigez tout problème avant de tenter de mettre en marche l'appareil.
15. Pour mettre en marche: suivez les instructions "Pour mettre en marche" de la page 6.
16. Après avoir mis en marche l'appareil, fixez le cache de protection contre la pluie.
17. Lavez-vous les mains à l'eau et au savon.

*Remarque: appât bon pour 60 jours

Remplacer la pile de l'allumeur

Si vous n'entendez pas un déclic lorsque vous pressez le bouton d'allumage, la pile est sans doute d'être déchargée. Remplacez la pile comme suit:

- Ouvrez le compartiment à pile en tournant le capuchon de la partie inférieure du moteur dans le sens inverse à celui des aiguilles d'une montre
- Retirez la pile usée et jetez-la comme il se doit
- Insérez une nouvelle pile AA dans le compartiment en introduisant le pôle négatif (-) en premier
- Fixez le capuchon en tournant dans le sens des aiguilles d'une montre jusqu'à ce qu'il se bloque

Remisage de fin de saison

Pour que votre appareil SkeeterVac® vous offre des années de service fiable, suivez ces simples consignes à la fin de la saison:

1. Fermez le gaz à la bonne de propane en le réglant sur OFF (fermé).
2. Débranchez la conduite de gaz de la bonne de propane en tournant le bouton dans le sens inverse à celui des aiguilles d'une montre.
3. Retirez la housse protectrice de la bonne.
4. Retirez la bonne de propane et remisez-la à l'extérieur, hors de la portée des enfants. Elle ne doit pas être remise dans un immeuble, un garage ou tout autre abri clos et fermé.
5. Retirez et jetez le piège TacTrap™ et l'appât comme il se doit.
6. Recouvrez votre appareil SkeeterVac® afin de le protéger contre la poussière et rangez-le dans un endroit frais et sec.

ATTENTION: Il est uniquement permis de remiser un appareil à gaz de plein air à l'intérieur si la bonne de gaz a été débranchée et retirée de l'appareil.



Emplacement

L'utilisation et l'installation de cet appareil doivent être conformes aux codes locaux. En l'absence de règlements locaux, utilisez le Code national sur le gaz et les carburants des États-Unis, les normes ANSI Z223.1/NFPA 54, la réglementation sur le stockage et la maintenance des gaz de pétrole liquéfié, les normes ANSI/NFPA 58 ou CSA B149.1, le Code d'installation du gaz naturel et du propane. Il est indispensable de placer au mieux le SkeeterVac[®] afin de maximiser son rendement et sa performance. Étant donné que le SkeeterVac[®] attire les moustiques, placez-le au minimum à 3 mètres de votre surface habitable.

Les moustiques sont typiquement présents dans les zones sombres, mouillées et humides. Déterminez quel est leur habitat principal et placez le SkeeterVac[®] le plus près possible.

Si vous habitez dans un endroit où il y a une brise constante, placez l'appareil en amont de l'habitat principal des moustiques.

ATTENTION: cet appareil risque de se

renverser. Utilisez des piquets pour le fixer.

Après avoir déterminé l'emplacement du SkeeterVac[®], fixez-le au sol en plantant un piquet dans chacun des deux (2) pieds à l'avant.

Pour une performance optimale, il est probable que vous devrez déplacer le SkeeterVac[®] de temps à autre. Pour déplacer l'appareil, retirez les piquets, placez votre pied sur le socle du chariot et penchez-le en arrière en tenant la poignée. Tirez l'appareil jusqu'à son nouvel emplacement. Plantez à nouveau les piquets.

FineTune[®]: Déterminer la puissance

attractive de l'appât:

La quantité d'octénoï libérée par votre appareil SkeeterVac[®] est importante car elle sert à maximiser la performance de l'appareil. Certains moustiques sont très attirés par l'octénoï alors que d'autres le sont moins.

Ce produit possède une caractéristique exclusive facile à utiliser vous permettant de régler la dose d'octénoï que libère l'appareil selon l'espèce de moustique que vous comptez piéger.

Pour mettre en marche

1. Retirez le dispositif de verrouillage FineTune[®] en le tournant lentement dans le sens inverse à celui des aiguilles.
2. Retirez le papier aluminium de l'appât pour insectes piqueurs.
3. Remplacez l'appât dans le porte-appât avec les trous vers le haut.
4. En suivant les illustrations figurant sur l'étiquette du moteur, choisissez l'environnement qui correspond le mieux à celui que vous souhaitez protéger.
5. Placez l'anneau FineTune[®] de façon à ce qu'il indique votre environnement.

3. L'aiguille du moteur devrait commencer à se déplacer vers la zone verte ce qui indique que l'allumage a bien été effectué.

2. IMMÉDIATEMENT ENSUITE, pressez et maintenez le bouton d'allumage rouge jusqu'à vous entendre un cliquement indiquant que l'allumage viens de s'effectuer. Cela prend environ 20 secondes.

ATTENTION: Si l'aiguille ne bouge toujours pas après 20 secondes, fermez le gaz à la bonne et attendez 5 minutes avant de tenter à nouveau de mettre en marche le

moteur.

4. Remettez en place le cache de protection contre la pluie.

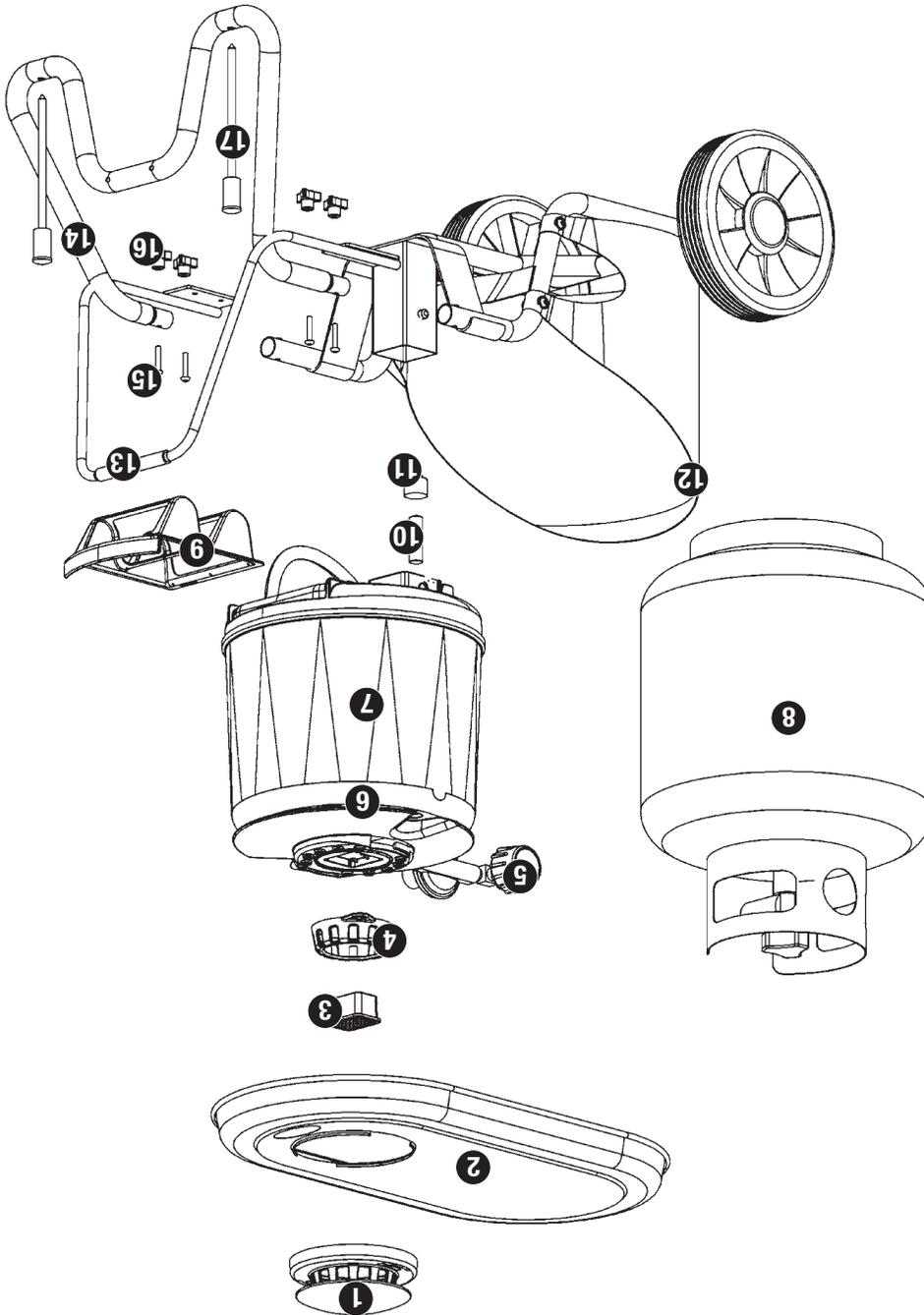
Pour arrêter

Fermez le gaz (OFF) à la bonne en tournant dans le sens des aiguilles d'une montre jusqu'au blocage. Fermez le gaz à la bonne de

ATTENTION: Fermez le gaz à la bonne de propane si vous n'utilisez pas cet appareil de plein air.

- 1. Dispositif de verrouillage FineTune® A57-04-207
- 2. Cache de protection contre la pluie A57-04-557
- 3. Appât pour insectes piqueurs FineTune® , Vendu séparément
- 4. Anneau FineTune® A57-04-194
- 5. Conduite de gaz et régulateur basse pression .. A57-04-561
- 6. Moteur A57-04-038
- 7. Piège TacTrap™ Vendu séparément
- 8. Bonbonne de propane..... Vendu séparément
- 9. Compartiment Wave Drawer™ A57-04-558

- 10. Pile AA Vendue séparément
- 11. Capuchon de pile 57-04-555
- 12. Housse protectrice A57-04-582
- 13. Poignée A57-04-581
- 14. Chariot A57-04-579
- 15. Vis (4) Vis à tête cylindrique bombée galvanisée M5X30 .. 57-04-266
- 16. Écrou M5 57-04-263
- 17. Piquets de sécurité (2) A57-04-572



Liste des pièces



- Pour l'assemblage, vous aurez besoin des choses suivantes:
- Une (1) bonbonne de propane de 20 livres (9 kg) avec valve à filetage externe.
 - 120 ml de solution destinée à détecter la présence de fuites: mélangez un (1) volume de liquide vaisselle et trois (3) volumes d'eau.

- 1. Montez le bâti du chariot**
- Glissez la partie avant du bâti du chariot dans la partie arrière.
 - Fixez avec les boulons, les rondelles et les écrous comme illustré.
 - Serrez fermement à la main.

2. Fixez le moteur au montant

- Placez le moteur sur le montant.
- Pressez jusqu'à ce que les fixations s'enclipsent d'une bruit sec.
- Introduisez le Wave Drawer™ dans le moteur en le glissant.
- Mettez en place l'anneau FineTune® et l'appât.

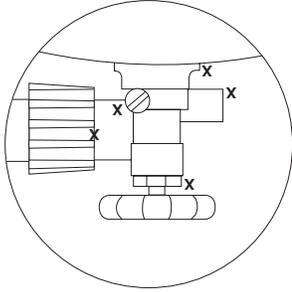
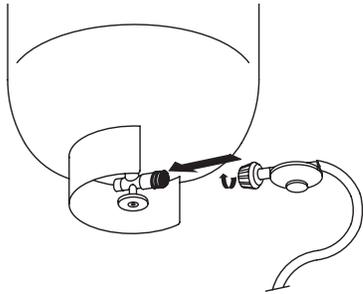
- 3. Installez la bonbonne de propane**
- Placez une bonbonne de propane pleine sur le chariot.
 - Branchez la conduite de gaz sur la bonbonne en tournant le bouton dans le sens des aiguilles d'une montre jusqu'au blocage.
 - Ouvrez le robinet de la bonbonne de gaz (ON) et testez afin de détecter toute présence de fuite:
 - À l'aide d'une cuillère, versez quelques gouttes de la solution sur le point de raccord entre le bouton et la bonbonne.
 - Si des bulles apparaissent, fermez le gaz à la bonbonne (OFF), effectuez à nouveau le branchement et testez à nouveau.
 - Si après environ une minute aucune bulle n'a été détectée, fermez le gaz à la bonbonne (OFF), essuyez la solution et continuez.
 - Enveloppez la housse de protection autour de la bonbonne et fixez-la au bâti.

4. Fixez le cache de protection contre la pluie

- Placez le cache de protection sur le moteur et la bonbonne.
- Fixez-le cache en tournant le dispositif de verrouillage de l'anneau FineTune® dans le sens des aiguilles d'une montre jusqu'au blocage.



Conseil: Pour rechercher un fournisseur de bonnes de gaz proche de votre domicile et qui dispose de bonnes de rechange ayant été remplies avec précision, consultez le site internet www.bluerhino.com ou appelez sans frais le 1.800.258.7466





Informations importantes

Votre appareil SkeeterVac® fonctionne 24 heures

par jour afin de réduire la nuisance des moustiques. Il attire les moustiques femelles à la recherche

d'un repas de sang afin de nourrir leurs oeufs. En

exterminant la majorité des moustiques femelles vous

éliminerez également leurs oeufs.

Il est possible que vous ne remarquiez une baisse

notable de la nuisance des moustiques qu'après 3

à 4 semaines. Soyez patient.

• Commencez à utiliser votre appareil SkeeterVac®

une fois que la température extérieure la plus

basse demeurera à plus de 50°F (10°C).

• Pour réduire et contrôler les populations de

moustiques, il est primordial que votre SkeeterVac®

fonctionne en permanence. N'éteignez pas le

SkeeterVac® et remplacez immédiatement la

bonne de propane lorsque elle est vide.

• N'hésitez pas à contacter nos experts avant de

ramener un appareil au point de vente où vous

l'avez acheté.

Informations importantes sur l'octénoi

Votre appareil SkeeterVac® est fourni avec un appât

contenant de l'octénoi (1-octen-3-ol). Ce pesticide est

un attractif supplémentaire pour certaines espèces de

moustiques.

À CONSERVER HORS DE LA PORTÉE DES ENFANTS

ATTENTION: Nocif ou mortel si avalé, absorbé

par la peau ou respiré. Évitez tout contact

avec la peau, les yeux et la bouche. Lavez-

vous les mains complètement avec de l'eau

et du savon après tout contact.

Informations importantes sur la lumière à rayons ultraviolets

Cet appareil génère des rayons ultraviolets (UV)

lorsqu'il fonctionne.

ATTENTION: Ne regardez pas directement

l'appareil lorsqu'il est en train de fonctionner.

Toute exposition, même brève, aux rayons

UV risque de blesser et d'endommager les

yeux. Pour toute assistance professionnelle,

appelez sans frais le 1.800.753.7137.

Des données intéressantes sur les moustiques

• Il existe environ 3000 espèces de moustiques

connues dans le monde. Il existe environ 150

espèces en Amérique du Nord.

Contrôler les moustiques

Après avoir correctement installé un appareil

SkeeterVac®, vous pouvez également réduire la

prolifération des moustiques autour de votre maison

en réduisant toute présence d'eau stagnante sur

vos propriétés. En effet, les moustiques peuvent

proliférer dans toute flaque d'eau si elle est présente

pendant plus de 4 jours.

• Jetez les boîtes et canettes de boissons, les

contenants en plastique, les pots de fleurs et autres

réceptifs capables d'accumuler de l'eau sur votre

propriété.

• À l'aide d'une perceuse, percez des trous dans le

fond des récipients que vous comptez laisser à

l'extérieur tels que les sacs poubelles, les bennes

et conteneurs destinés aux matières recyclables,

etc.

• Nettoyez les gouttières bouchées au moins une fois

par an.

• Placez à l'envers les bassins de jardin lorsque vous

ne les utilisez pas.

• Placez à l'envers les assiettes en plastique pour

pots de fleurs.

• Retournez les brouettes, les pots de fleurs vides

ainsi que les jouets pour enfants.

• Assurez-vous que l'eau des baignoires ne

demeure pas stagnante.

• Aérez les pièces d'eau décoratives ou placez-y des

poissons.

• Nettoyez et mettez du chlore dans les piscines qui

ne sont pas en train d'être utilisées. N'oubliez pas

que les moustiques peuvent proliférer dans l'eau

qui s'accumule sur les baches protectrices des

piscines.

• Faites en sorte que l'eau draine du terrain afin

d'éliminer toute accumulation d'eau dans les zones

basses de votre propriété.



Félicitations! Vous venez de faire l'achat d'un appareil SkæterVac® de Blue Rhino®. Cet appareil est le résultat de recherches scientifiques poussées et d'une technologie innovatrice en matière de mécanique permettant de vous offrir une solution simple, sécuritaire et efficace afin de mieux lutter contre les moustiques et profiter au maximum de vos activités extérieures.

MISE EN GARDE



Veillez lire et comprendre le contenu dans son entier de ce manuel d'utilisation avant de mettre en marche ou d'utiliser cet appareil SkæterVac®. Si il y a quelque chose que vous ne comprenez pas, appelez le 1.888.753.7137 avant de commencer.

Cet appareil permet les choses suivantes lorsqu'il est utilisé conformément aux instructions:

- il attire, piège et tue certains insectes ailes piqueurs tels que les moustiques, les mouches et les moucherons.
- il permet de réduire la nuisance de certains insectes ailes piqueurs.
- sur une période de 4 à 6 semaines, il permet de réduire le nombre des moustiques en exterminant la majorité des moustiques femelles et leurs oeufs.

Cet appareil ne peut pas:

- éliminer complètement toutes les populations de moustiques.
- éliminer la possibilité qu'une maladie se propage par l'intermédiaire des moustiques.

Avis importants et consignes de sécurité

- Le rendement et la performance de l'appareil peuvent varier selon les conditions atmosphériques, le vent et autres conditions ambiantes.
- La loi fédérale interdit l'utilisation de cet appareil pour tout usage autre que celui auquel il est destiné.
- À UTILISER À L'EXTÉRIEUR UNIQUEMENT – NE JAMAIS utiliser cet appareil à l'intérieur d'un immeuble, garage ou tout autre abri clos et fermé.

- L'acheteur assume toutes les responsabilités relatives à la sécurité et l'utilisation de l'appareil si ce dernier est utilisé pour un usage autre que celui auquel il est destiné conformément aux instructions fournies.
 - Placez le SkæterVac à l'extérieur à environ 1,5 mètre de toute matière combustible.
 - Laissez une distance de sécurité de 53 cm entre les côtés et l'arrière de l'appareil et toute matière combustible. Ne jamais placer cet appareil sous une surface combustible en surplomb non protégée.
 - NE JAMAIS utiliser d'essence ni tout autre liquide présentant des vapeurs et émissions inflammables.
 - Vérifiez que les ouvertures d'air demeurent propres et sans traces de débris.
 - Ne laissez pas les enfants utiliser ou jouer à proximité du SkæterVac® lorsqu'il est en train de fonctionner.
 - NE JAMAIS déplacer un appareil SkæterVac® lorsqu'il est en train de fonctionner.
 - Vérifiez que l'appareil n'est pas endommagé et ne présente pas de traces d'usage à chaque entretien.
 - Vérifiez le tuyau une fois par an. Si vous détectez une usure excessive ou si le tuyau est coupé, remplacez-le avant de le remettre en service. Le nouveau tuyau doit être conforme aux spécifications du fabricant.
- ATTENTION: Utilisez uniquement le régulateur de gaz qui est fourni avec cet appareil.**
- N'utilisez jamais cet appareil si une pièce s'avère endommagée, manquante ou mal installée.
 - Utilisez cet appareil uniquement avec une bonne de propane 20# (9 kg) homologuée DOT provenant d'un fournisseur fiable tel que Blue Rhino®.
 - Veillez à toujours transporter votre bonne ou bonne de gaz debout avec le robinet fermé. La bonne doit être transportée directement à l'endroit où vous comptez l'utiliser ou la ramène. Il est recommandé d'utiliser uniquement l'attractif pour moustiques FineTune® dans votre SkæterVac®. L'emploi de toute autre substance attractive n'a pas été testé et annulera la garantie.
 - La pression d'alimentation maximum du gaz à l'entrée est de 11 po. (279 mm) de colonne d'eau.

© 2004 Blue Rhino Global Sourcing, LLC. Tous droits réservés.
 SkeeterVac® et FineTune® sont des marques de commerce déposées de Blue Rhino Global Sourcing, LLC. WaveDraver™ et TacTrap™ sont des marques de commerce de Rhino Global Sourcing, LLC. Tous droits réservés.
 Blue Rhino® est une marque de commerce déposée de Ferrelgas, L.P. Tous droits réservés.

Blue Rhino Global Sourcing, LLC
 104 Cambridge Plaza Drive
 Winston-Salem, North Carolina 27104, États-Unis
 Téléphone: 888.753.7137
 Télécopie 24h par jour: 336.659.6743
 Courriel: Help@SkeeterVac.com

Sommaire

3 La sécurité avant tout!.....

4 Informations importantes.....

 a. Informations importantes sur l'octénoi

 b. Informations importantes sur la lumière à rayons ultraviolets

 c. Des données intéressantes sur les moustiques

 d. Contrôler les moustiques

 e. Liens pratiques

5 Assemblage facile et rapide.....

6 Liste des pièces.....

7 Utilisation.....

 a. Emplacement

 b. FineTune®: Déterminer la puissance attractive de l'appât

 c. Pour mettre en marche

 d. Pour arrêter

8 Entretien.....

 a. Entretien de routine

 b. Entretien courant: Veillez à ce que les ouvertures d'aération demeurent propres.

 c. Remplacer la pile d'allumage

 d. Remisage de fin de saison

Garantie..... 11

 a. Enregistrement de la garantie

 b. Garantie limitée

 c. Liste des pièces

Manuel d'utilisation





MISE EN GARDE 

Proposition n° 65 de Californie
L'état de la Californie reconnaît que la combustion du propane produit des émanations et des résidus chimiques qui provoquent le cancer, des malformations congénitales et sont nocifs pour le système reproductif.

MISE EN GARDE 

POUR VOTRE SÉCURITÉ:
1. Une fuite de gaz risque de provoquer un incendie ou une explosion et d'entraîner des blessures graves ou la mort, ou des dégâts matériels.
2. Respecter et suivre attentivement toutes les procédures de détection de fuites avant de mettre en marche l'appareil.
3. Ne jamais utiliser de flamme nue pour rechercher une fuite.

MISE EN GARDE 

POUR VOTRE SÉCURITÉ:
1. Ne pas utiliser ni stocker d'essence ou de liquides inflammables ou présentant des vapeurs ou émanations inflammables à proximité de cet appareil ou de tout autre appareil.
2. Lors du remisage, ne pas ranger la bonbonne de propane ayant été débranchée à proximité de cet appareil ou de tout autre appareil.

MISE EN GARDE 

POUR VOTRE SÉCURITÉ:
Si vous sentez une odeur de gaz:
1. Fermez le gaz à l'appareil.
2. Éteignez toute flamme nue.
3. Si l'odeur persiste, contactez immédiatement votre fournisseur de bonbonnes de gaz ou les pompiers.

MISE EN GARDE 

RISQUE D'INCENDIE, DE BRÛLURES, D'EXPLOSION ET RISQUE RESPIRATOIRE. CONSERVER LES MATIÈRES COMBUSTIBLES TELLES QUE LES MATÉRIAUX DE CONSTRUCTION, LE PAPIER OU LE CARTON, LES PLUMES, LA PAILLE ET LA POUSSIÈRE À UNE DISTANCE DE SÉCURITÉ SUFFISANTE DE L'APPAREIL COMME INDICÉ DANS LES INSTRUCTIONS. NE JAMAIS UTILISER CET APPAREIL DANS DES ENDROITS COMPORTANT DES MATIÈRES OU SUBSTANCES VOLATILES OU EN SUSPENSION DANS L'AIR OU DES PRODUITS TELS QUE L'ESSENCE, DES SOLVANTS, DES DILUANTS DE PEINTURE, DES PARTICULES DE POUSSIÈRE ET DES PRODUITS CHIMIQUES INCONNUS.

MISE EN GARDE GÉNÉRALE 

LE NON RESPECT DES CONSIGNES DE SÉCURITÉ ET DES INSTRUCTIONS FOURNIES AVEC L'APPAREIL RISQUE D'ENTRAÎNER LA MORT DE L'UTILISATEUR OU DES BLESSURES GRAVES ET DES DÉGÂTS MATÉRIELS SUITE À UN INCENDIE, UNE EXPLOSION, DES BRÛLURES, UNE ASPHYXIE, UNE ASPHYXIE AU MONOXYDE DE CARBONE ET/OU UNE ÉLECTROCUTION.
POUR TOUTE ASSISTANCE TECHNIQUE OU DES INFORMATIONS CONCERNANT L'APPAREIL TELLES QU'UN MANUEL D'UTILISATION, DES ÉTIQUETTES, ETC., VEUILLEZ CONTACTER LE FABRICANT.

**NE PAS RENVoyer NI RAMENER CET APPAREIL
AU POINT DE VENTE, CET APPAREIL EST SOUS
GARANTIE DU FABRICANT, APPELEZ LE
1-800-753-7137 POUR TOUTE ASSISTANCE TECHNIQUE.**



Bien que les informations contenues dans ce manuel constituent les informations disponibles les plus récentes au moment de sa publication, nous réservons le droit d'en modifier le contenu à tout moment et sans préavis.

Conservez ces instructions afin de pouvoir les consulter ultérieurement. Si vous êtes en train d'assembler cet appareil pour quelqu'un d'autre, veuillez lui fournir le manuel afin qu'il puisse le consulter ultérieurement.

SV-2000A

modele n° CPSV003589 /

Manuel d'utilisation

SkeeterVac
The Mosquito Exterminator




Free Manuals Download Website

<http://myh66.com>

<http://usermanuals.us>

<http://www.somanuals.com>

<http://www.4manuals.cc>

<http://www.manual-lib.com>

<http://www.404manual.com>

<http://www.luxmanual.com>

<http://aubethermostatmanual.com>

Golf course search by state

<http://golfingnear.com>

Email search by domain

<http://emailbydomain.com>

Auto manuals search

<http://auto.somanuals.com>

TV manuals search

<http://tv.somanuals.com>