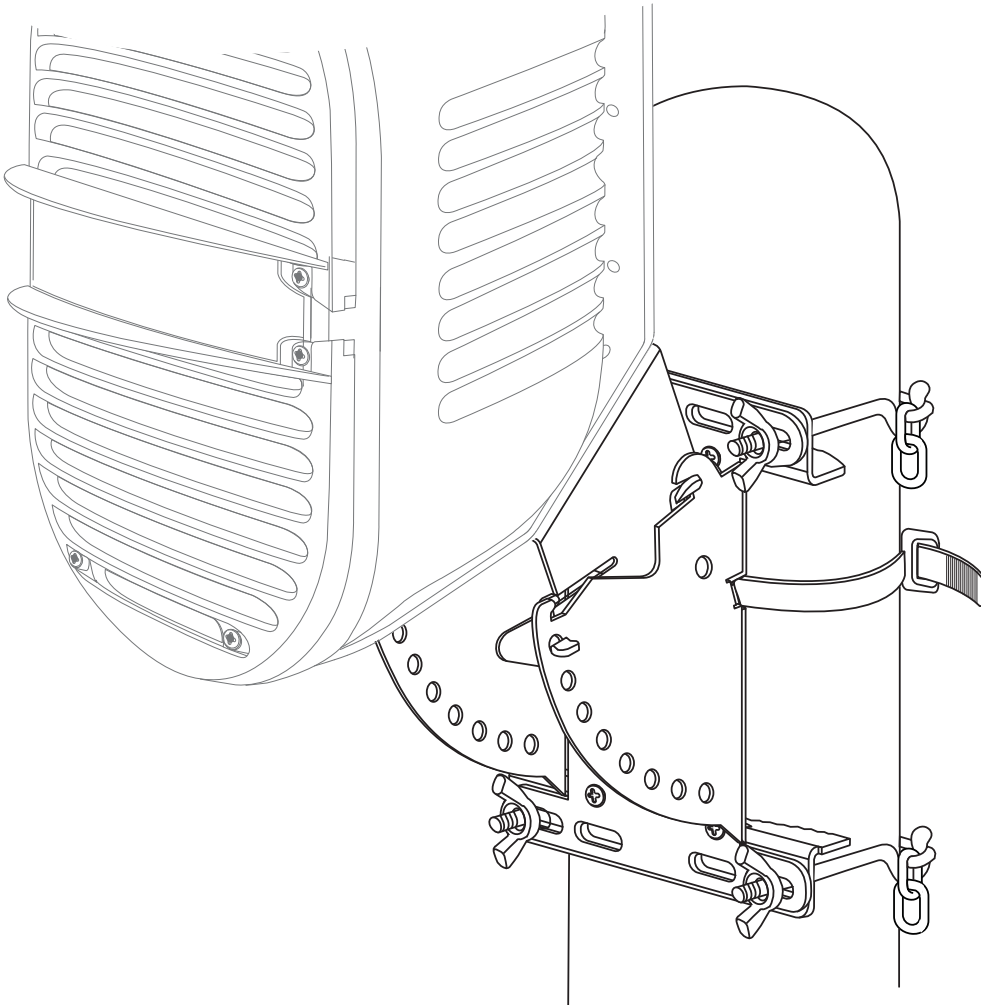


N·E·A·R.®

TMA812 Tilt Mount Adapter for NEAR A8 and A12 Loudspeakers Installation Instruction Manual



BOGEN®
COMMUNICATIONS, INC.

50 Spring Street, Ramsey, NJ 07446 USA

Tel. 201-934-8500 • Fax: 201-934-9832

www.bogen.com

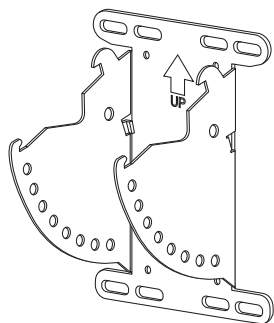
Specifications subject to change.

© Copyright 2008 Bogen Communications, Inc.

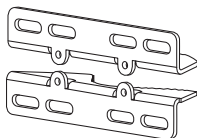
54-2187-01A 0810

Download from Www.Somanuals.com. All Manuals Search And Download.

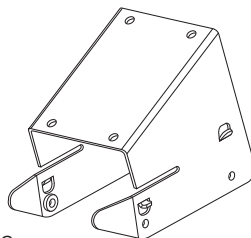
TMA812 - Tilt Mount Adapter Components



STATIONARY MOUNTING BRACKET



(2) POLE ADAPTERS



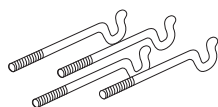
ADJUSTABLE MOUNTING BRACKET



(4) #6 POLE ADAPTER SCREWS



(4) #6 MOUNTING BRACKET SCREWS



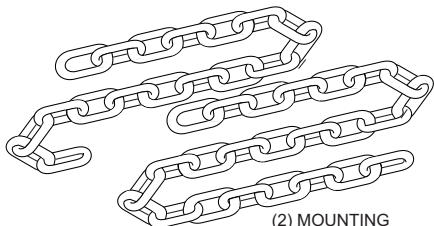
(4) MOUNTING CHAIN HOOKS



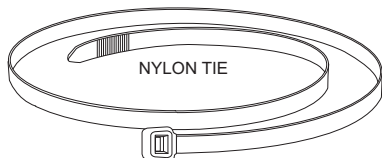
(4) MOUNTING CHAIN HOOK WING NUTS



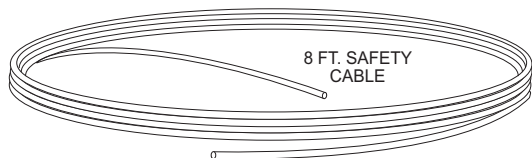
(4) #10 AXLE/ADJUST SCREWS



(2) MOUNTING CHAINS



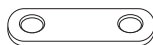
NYLON TIE



8 FT. SAFETY CABLE



LOCK WASHER



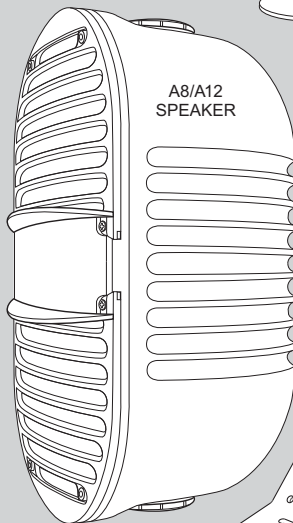
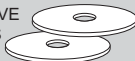
SAFETY TETHER LINK



ADJUSTABLE WIRE CLAMP

ITEMS INCLUDED WITH A8/A12 LOUDSPEAKER

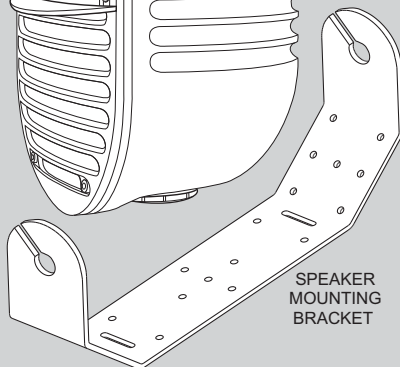
(2) SELF ADHESIVE RUBBER DISKS



A8/A12 SPEAKER



HEX SOCKET SAFETY BOLT

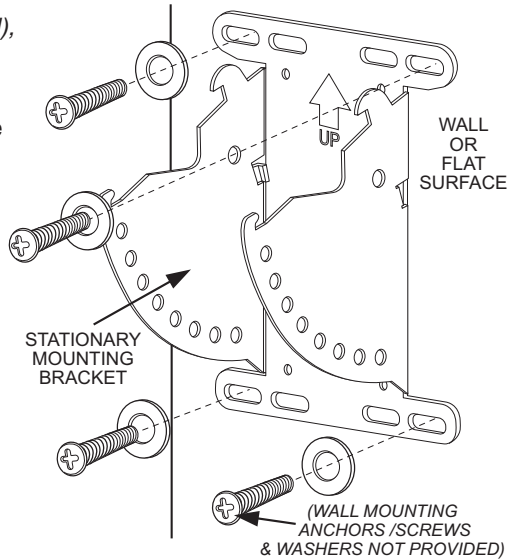


SPEAKER MOUNTING BRACKET

1A WALL MOUNTING: Attaching Stationary Mounting Bracket to a Wall or other Flat Surface

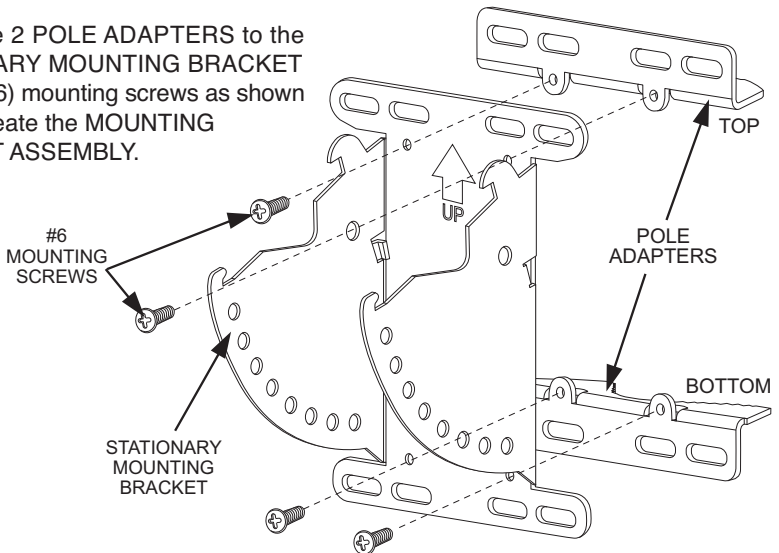
- A) Using proper anchors* (*not supplied*), attach STATIONARY MOUNTING BRACKET to wall or flat surface.
- B) Skip ahead to **Section 3** to continue with Speaker Adjustable Mounting Attachment Installation.

***NOTE: WHEN MOUNTING TO WALL OR FLAT SURFACE, BE SURE THE USER SELECTED ATTACHMENT AREA AND THE ANCHORS ARE TOGETHER ABLE TO SAFELY SUPPORT AT LEAST 300 LBS.**



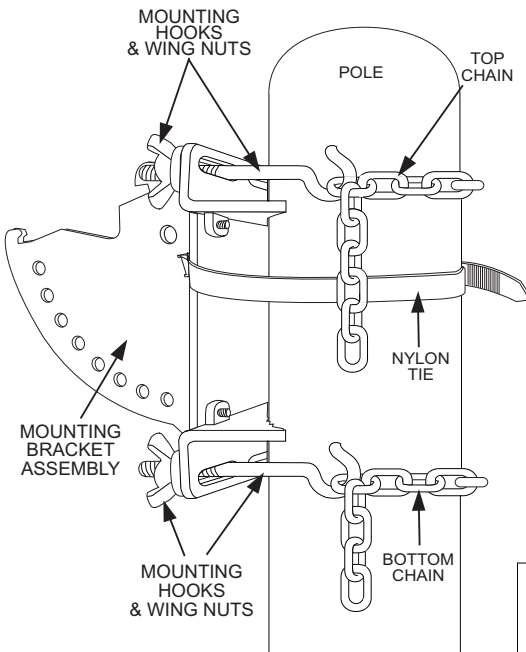
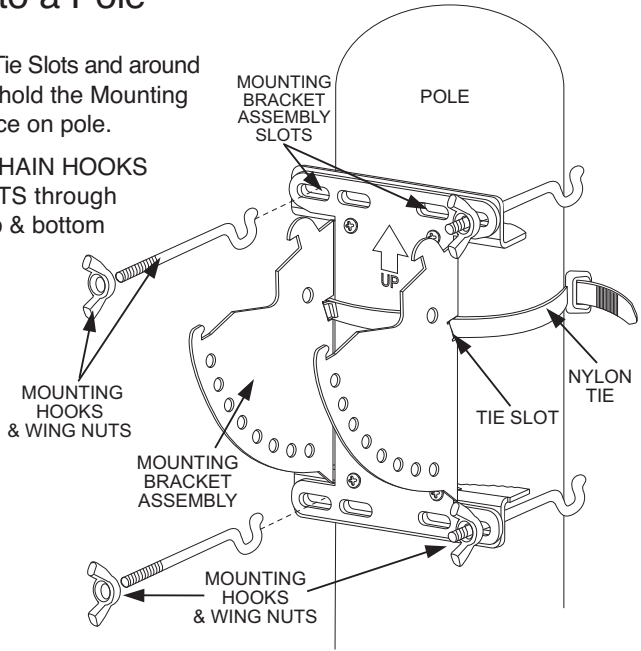
1B POLE MOUNTING: Attaching Pole Adapters to the Stationary Mounting Bracket

- A) Attach the 2 POLE ADAPTERS to the STATIONARY MOUNTING BRACKET using 4 (#6) mounting screws as shown here to create the MOUNTING BRACKET ASSEMBLY.



2 Attaching the Mounting Bracket Assembly to a Pole

- A)** Thread **NYLON TIE** thru Tie Slots and around pole to **TEMPORARILY** hold the Mounting Bracket Assembly in place on pole.
- B)** Insert (4) **MOUNTING CHAIN HOOKS** and attached **WING NUTS** through the most appropriate top & bottom Bracket Assembly slots.

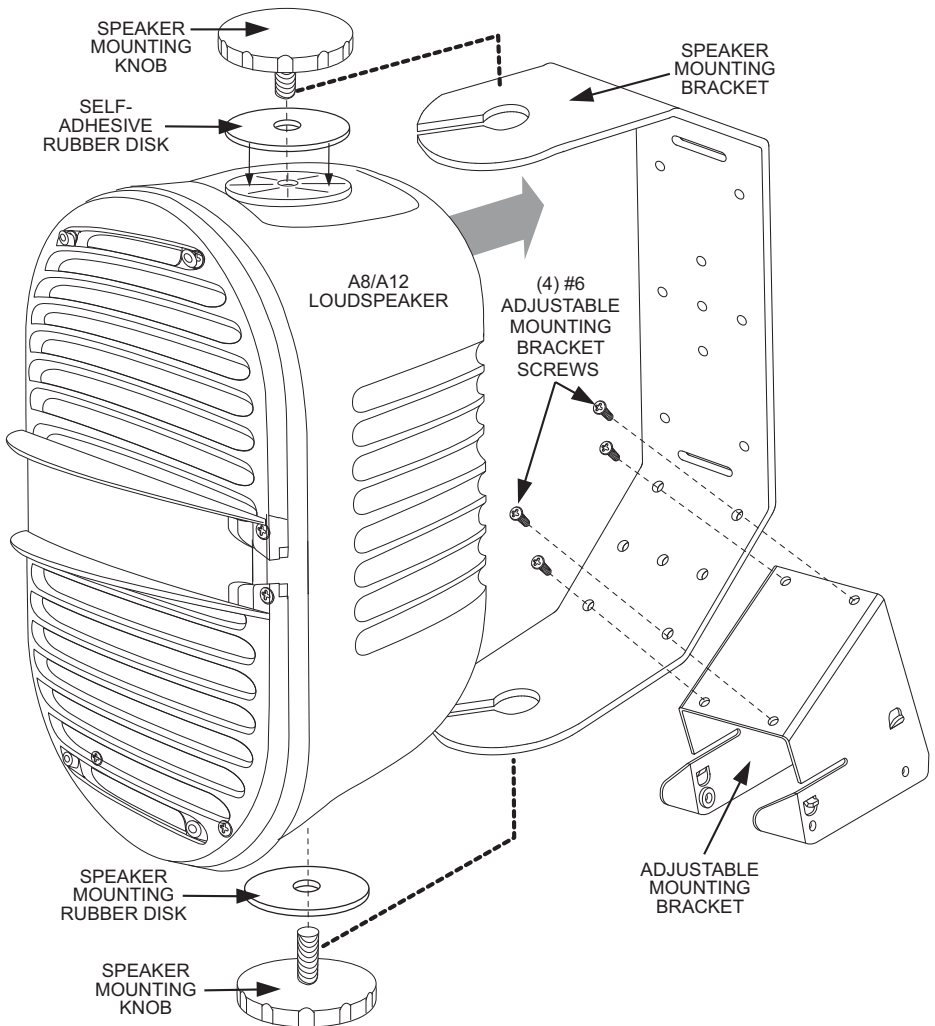


- C)** With Hooks fully extended, attach one end of **MOUNTING CHAIN** to one of the **Top Mounting Hooks**. Pull the Chain tight to Pole and then attach shortest link to corresponding **Top Hook**. (To keep chain from being jammed by the hook, place link on outside of the Hook.) Spin **Wing Nuts** down evenly, enough to keep the Assembly in place.
- D)** Repeat process for **Bottom Hooks** and Chains.
- E)** Hand tighten all **Wing Nuts** evenly, ensuring **Mounting Bracket Assembly** is difficult to rotate on the **Pole**. Then "tap" the chain sharply to remove any slack and fully re-tighten all **Wing Nuts**

IMPORTANT: HAND TIGHTEN ONLY. EXCESS TIGHTENING MAY CAUSE HOOK ENDS TO SPREAD.

3 Attach A8/A12 Speaker and Speaker Mounting Bracket to the Adjustable Mounting Bracket

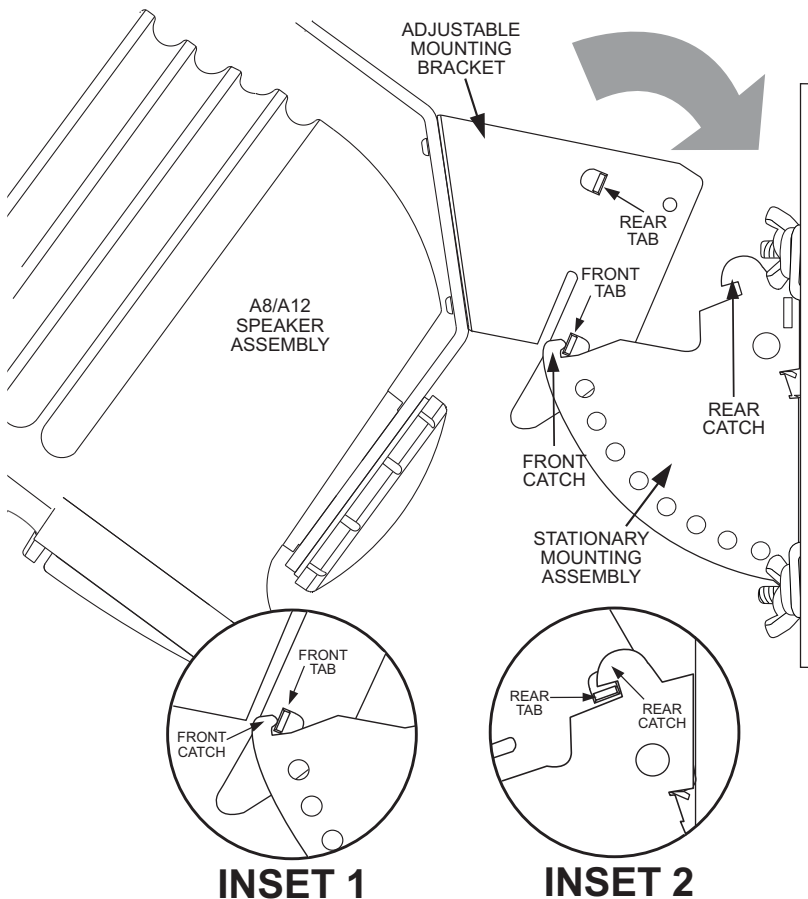
- A) Attach ADJUSTABLE MOUNTING BRACKET to the A-Series SPEAKER MOUNTING BRACKET by using 4 (#6) Mounting Screws to create the SPEAKER MOUNTING ASSEMBLY.
- B) Adhere the 2 Self-Adhesive Rubber Disks to the Speaker Cabinet as shown below. Partially screw into the speaker cabinet the 2 Speaker Mounting Knobs, then slide the A-Series Loudspeaker in through the slots of the Speaker Mounting Assembly and fully tighten the Mounting Knobs.



4 Attach Speaker Mounting Assembly to Stationary Mounting Bracket

- A) Place Speaker Mounting Assembly on the Stationary Mounting Assembly by putting the FRONT TABS of Speaker Assembly into the two FRONT CATCH slots of the Mounting Assembly (see **INSET 1**).
- B) With both Front Tabs hooked securely into both Front Catch slots, gently rotate Speaker Assembly back until both REAR TABS “snap” into both REAR CATCH slots (see **INSET 2**). When properly engaged, this will provide **TEMPORARY** support for the Speaker Assembly. **DO NOT LEAVE SPEAKER IN THIS POSITION WITHOUT COMPLETING THE INSTALL PROCEDURES SHOWN WITHIN SECTION 5.**

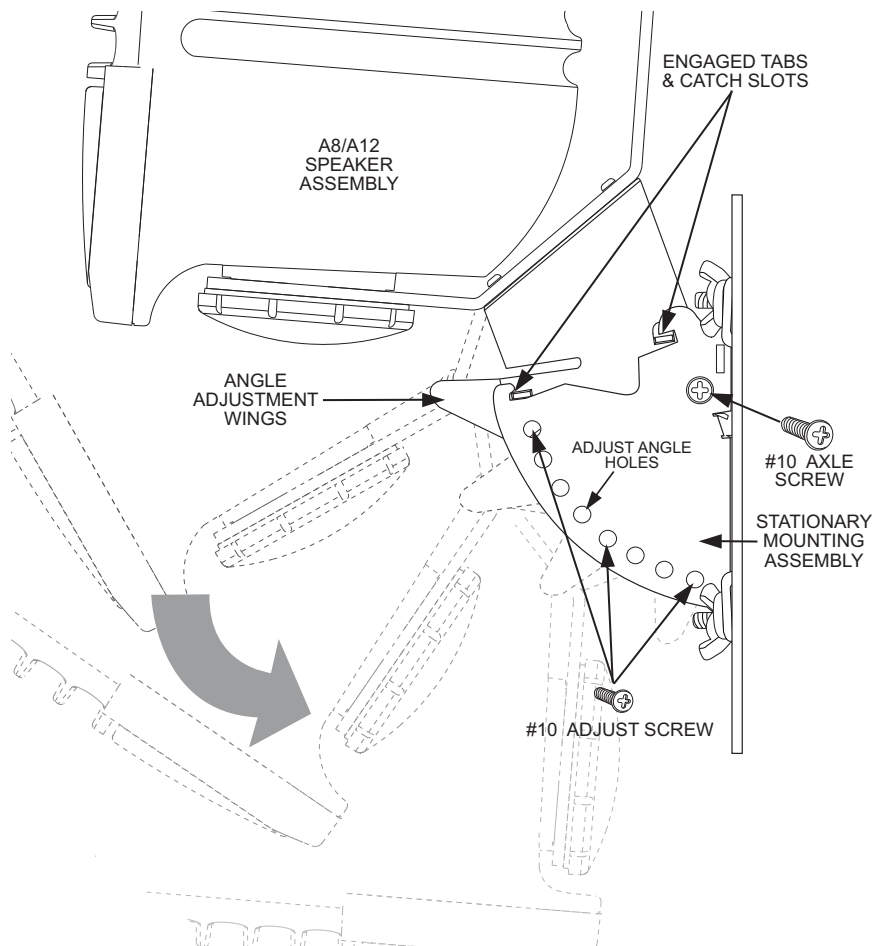
IMPORTANT: BE SURE THAT ALL TABS AND CATCH SLOTS ARE PROPERLY ENGAGED BEFORE LETTING GO OF THE SPEAKER ASSEMBLY. SERIOUS INJURY COULD RESULT WITH IMPROPER CONNECTIONS.



5 Speaker Assembly Angle Adjustment and Locking Procedure

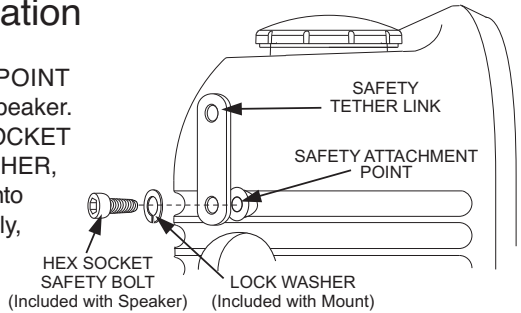
- A) Loosely Insert 2 (#10) AXLE SCREWS to both sides of Stationary Mounting Bracket and into the Speaker Assembly Bracket. This will provide safe retention of the Speaker Assembly.
- B) Pinch inward both sides of the ANGLE ADJUSTMENT WINGS on the Mounting Bracket to rotate the Speaker Assembly to desired angle. Front Tabs on each side will then engage ADJUST ANGLE HOLES on the Mounting Assembly.
- C) Once angle is selected, insert 2 (#10) ADJUST SCREWS into Adjustment Angle Holes directly below the Tab/Holes selected. Finally, tighten all four Screws **SECURELY**.

IMPORTANT: ALL FOUR (2 AXLE & 2 ADJUST) SCREWS MUST BE IN PLACE AND FULLY TIGHTENED FOR ASSEMBLY TO BE SAFELY SECURED.

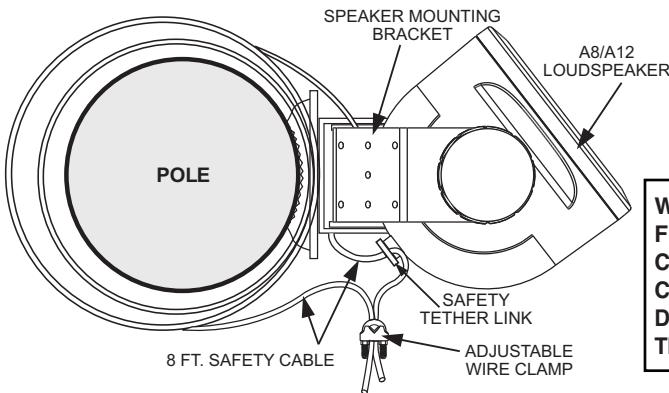


6 Speaker Safety Cable and Tether Link Attachment Installation

- A)** Find the SAFETY ATTACHMENT POINT located on the rear of the A8/A12 Speaker. Using the (1/4" - 20 x 1/2") HEX SOCKET SAFETY BOLT and the LOCK WASHER, secure the SAFETY TETHER LINK into the Safety Attachment Point, vertically, as shown.



B) POLE MOUNT (TOP-DOWN VIEW)

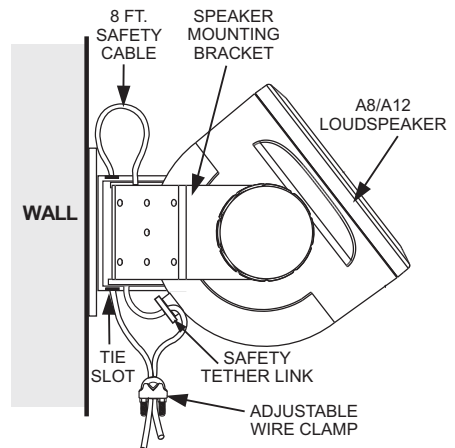


WHEN INSTALLATION IS FINISHED, THE SAFETY CABLE SHOULD BE TAUT. CABLE SLACK SHOWN IN DRAWING IS FOR ILLUSTRATIVE PURPOSES ONLY.

Take the 8 FT. SAFETY CABLE and loop it tightly around the Pole/Post 2-3 times. Proceed to feed one end of the Safety Cable in through the Speaker Mounting Bracket, then into the open hole of the Safety Tether Link. Pull the Cable taut, leaving very little slack, and secure the two Cable ends using the ADJUSTABLE WIRE CLAMP.

C) WALL MOUNT (TOP-DOWN VIEW)

Take the 8 FT. SAFETY CABLE and feed it through the Tie Slots (see figure A in Section 2 for Tie Slot location) of the mounted Stationary Mounting Bracket, then into the open hole of the Safety Tether Link. Pull the Cable taut, leaving very little slack, and secure the Cable ends using the ADJUSTABLE WIRE CLAMP.



WHEN INSTALLATION IS FINISHED, THE SAFETY CABLE SHOULD BE TAUT. CABLE SLACK SHOWN IN DRAWING IS FOR ILLUSTRATIVE PURPOSES ONLY.

Free Manuals Download Website

<http://myh66.com>

<http://usermanuals.us>

<http://www.somanuals.com>

<http://www.4manuals.cc>

<http://www.manual-lib.com>

<http://www.404manual.com>

<http://www.luxmanual.com>

<http://aubethermostatmanual.com>

Golf course search by state

<http://golfingnear.com>

Email search by domain

<http://emailbydomain.com>

Auto manuals search

<http://auto.somanuals.com>

TV manuals search

<http://tv.somanuals.com>