

Cable Kit, 10-Foot



Model CK10

Description

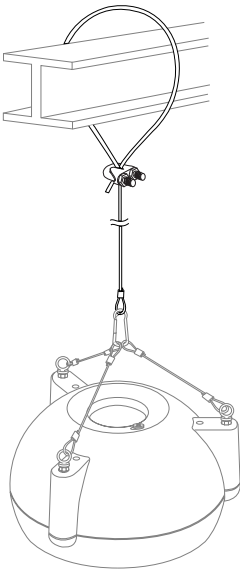
The CK10 is a 10-foot long cable kit. The kit can be used either as a main suspension drop cable or as a safety cable.

Contents

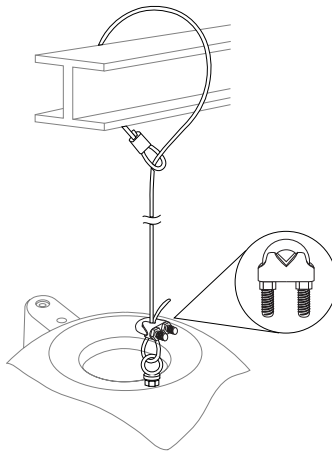
- 10-foot long cable w/ fixed loop
- Cable clamp
- Eye bolt
- Instruction Sheet

Installation

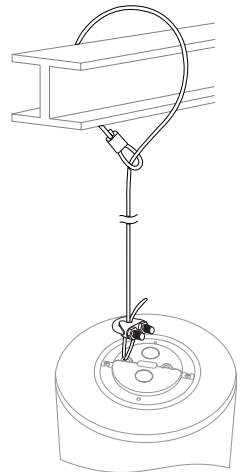
The cable can be secured to the speaker or the building structure in a variety of ways. Below are three common approaches.



Pendant
Drop Cable



Safety Cable for Pendant
(Primary Suspension Cables not shown)



Seismic Tether for
Ceiling Speaker

Note

Anchor point must be able to support the weight of the speaker assembly under ALL conditions. IF YOU ARE NOT SURE IT WILL, CONSULT A STRUCTURAL ENGINEER.

Free Manuals Download Website

<http://myh66.com>

<http://usermanuals.us>

<http://www.somanuals.com>

<http://www.4manuals.cc>

<http://www.manual-lib.com>

<http://www.404manual.com>

<http://www.luxmanual.com>

<http://aubethermostatmanual.com>

Golf course search by state

<http://golfingnear.com>

Email search by domain

<http://emailbydomain.com>

Auto manuals search

<http://auto.somanuals.com>

TV manuals search

<http://tv.somanuals.com>