

# **Bolens**

by **MTD** <sup>®</sup>

## Operator's Manual



## **BL26C0, BL26SS, BL26BC** **4-Cycle Gas Trimmers**

**IMPORTANT: READ SAFETY RULES AND INSTRUCTIONS CAREFULLY**

P/N 769-01703 (2/05)

# INTRODUCTION

## THANK YOU

Thank you for buying this quality product. This modern outdoor power tool will provide many hours of useful service. You will find it to be a great labor-saving device. This operator's manual provides you with easy-to-understand operating instructions. Read the whole manual and follow all the instructions to keep your new outdoor power tool in top operating condition.

## PRODUCT REFERENCES, ILLUSTRATIONS AND SPECIFICATIONS

All information, illustrations, and specifications in this manual are based on the latest product information available at the time of printing. We reserve the right to make changes at any time without notice.

Copyright© 2005 MTD SOUTHWEST INC, All Rights Reserved.

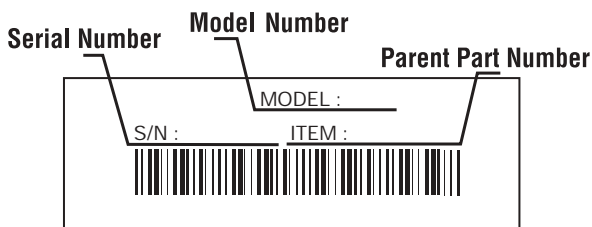
## SERVICE INFORMATION

Service on this unit both within and after the warranty period should be performed only by an authorized and approved service dealer.

For service call **1-800-345-8746** in the United States, or **1-800-668-1238** in Canada to obtain a list of authorized service dealers near you.

## DO NOT RETURN THE UNIT TO THE RETAILER. PROOF OF PURCHASE WILL BE REQUIRED FOR WARRANTY SERVICE.

Before beginning, locate the unit's model plate. It lists the model and serial numbers of your unit. Refer to the sample plate below and copy the information for future reference.



Copy the model and parent part number here: \_\_\_\_\_

Copy the serial number here: \_\_\_\_\_

*Make sure you carefully read and understand this manual before starting or operating this equipment.*

THIS PRODUCT IS COVERED BY ONE OR MORE U.S. PATENTS. OTHER PATENTS PENDING.


## TABLE OF CONTENTS

Service Information	2
Rules for Safe Operation	3
Know Your Unit	7
Assembly Instructions	8
Oil and Fuel Information	11
Starting/Stopping Instructions	13
Operating Instructions	14
Maintenance and Repair Instructions	17
Cleaning and Storage	28
Troubleshooting Chart	29
Specifications	30
Warranty Information	32
Parts List	E33-E39


## SPARK ARRESTOR NOTE

**NOTE:** For users on U.S. Forest Land and in the states of California, Maine, Oregon and Washington. All U.S. Forest Land and the state of California (Public Resources Codes 4442 and 4443), Oregon and Washington require, by law that certain internal combustion engines operated on forest brush and/or grass-covered areas be equipped with a spark arrestor, maintained in effective working order, or the engine be constructed, equipped and maintained for the prevention of fire. Check with your state or local authorities for regulations pertaining to these requirements. Failure to follow these requirements could subject you to liability or a fine. **This unit is factory equipped with a spark arrestor.** If it requires replacement, ask your LOCAL SERVICE DEALER to install the **Accessory Part #180890 Spark Arrestor Kit.**

## CALIFORNIA PROPOSITION 65 WARNING



# WARNING



**THE ENGINE EXHAUST FROM THIS PRODUCT CONTAINS CHEMICALS KNOWN TO THE STATE OF CALIFORNIA TO CAUSE CANCER, BIRTH DEFECTS OR OTHER REPRODUCTIVE HARM.**

# RULES FOR SAFE OPERATION

The purpose of safety symbols is to attract your attention to possible dangers. The safety symbols, and their explanations, deserve your careful attention and understanding. The safety warnings do not by themselves eliminate any danger. The instructions or warnings they give are not substitutes for proper accident prevention measures.

SYMBOL	MEANING
--------	---------



**SAFETY ALERT:** Indicates danger, warning or caution. Attention is required in order to avoid serious personal injury. May be used in conjunction with other symbols or pictographs.

**NOTE:** Advises you of information or instructions vital to the operation or maintenance of the equipment.

**Read the Operator's Manual(s) and follow all warnings and safety instructions.**

**Failure to do so can result in serious injury to the operator and/or bystanders.**

**FOR QUESTIONS, CALL 1-800-345-8746 in the United States, or 1-800-668-1238 in Canada**

SYMBOL	MEANING
--------	---------



**DANGER:** Failure to obey a safety warning will result in serious injury to yourself or to others. Always follow the safety precautions to reduce the risk of fire, electric shock and personal injury.



**WARNING:** Failure to obey a safety warning can result in injury to yourself and others. Always follow the safety precautions to reduce the risk of fire, electric shock and personal injury.



**CAUTION:** Failure to obey a safety warning may result in property damage or personal injury to yourself or to others. Always follow the safety precautions to reduce the risk of fire, electric shock and personal injury.

## • IMPORTANT SAFETY INSTRUCTIONS •

### READ ALL INSTRUCTIONS BEFORE OPERATING



**WARNING:** When using the unit, you must follow the safety rules. Please read these instructions before operating the unit in order to ensure the safety of the operator and any bystanders. Please keep these instructions for later use.

- Read the instructions carefully. Be familiar with the controls and proper use of the unit.
- Do not operate this unit when tired, ill, or under the influence of alcohol, drugs, or medication.
- Children and teens under the age of 15 must not use the unit, except for teens guided by an adult.
- All guards and safety attachments must be installed properly before operating the unit.
- Inspect the unit before use. Replace damaged parts. Check for fuel leaks. Make sure all fasteners are in place and secure. Replace parts that are cracked, chipped, or damaged in any way. Do not operate the unit with loose or damaged parts.
- Carefully inspect the area before starting the unit. Remove all debris and hard or sharp objects such as glass, wire, etc.

- Be aware of the risk of injury to the head, hands and feet.
- Clear the area of children, bystanders, and pets. At a minimum, keep all children, bystanders, and pets outside a 50 feet (15 m.) radius; there still may be a risk to bystanders from thrown objects. Bystanders should be encouraged to wear eye protection. If you are approached, stop the unit immediately.
- Use only 0.080 inch, 2.03 mm (for the BL26C0 & BL26SS trimmers), or 0.095 inch, 2.41 mm (for the BL26BC brushcutter), diameter original equipment manufacturer replacement line. Never use metal-reinforced line, wire or rope. These can break off and become dangerous projectiles.
- Squeeze the throttle control and check that it returns automatically to the idle position. Make all adjustments or repairs before using unit.

### SAFETY WARNINGS FOR GAS UNITS



**WARNING:** Gasoline is highly flammable, and its vapors can explode if ignited. Take the following precautions:

- Store fuel only in containers specifically designed and approved for the storage of such materials.
- Avoid creating a source of ignition for spilled fuel. Do not start the engine until fuel vapors dissipate.

# RULES FOR SAFE OPERATION

- Always stop the engine and allow it to cool before filling the fuel tank. Never remove the fuel tank cap or add fuel when the engine is hot. Never operate the unit without the fuel cap securely in place. Loosen the fuel tank cap slowly to relieve any pressure in the tank.
- Add fuel in a clean, well-ventilated outdoor area where there are no sparks or flames. Remove the fuel cap slowly, and only after the engine stops. Do not smoke while fueling. Wipe up any spilled fuel from the unit immediately.
- Avoid creating a source of ignition for spilled fuel. Do not start the engine until fuel vapors dissipate.
- Move the unit at least 30 feet (9.1 m) from the fueling source and site before starting the engine. Do not smoke. Keep sparks and open flames away from the area while adding fuel or operating the unit.

## WHILE OPERATING

- Never start or run the unit inside a closed room or building. Breathing exhaust fumes can be fatal. Operate this unit only in a well-ventilated outdoor area.
- Wear safety glasses or goggles that meet ANSI Z87.1 standards and are marked as such. Wear ear/hearing protection when operating this unit. Wear a face or dust mask if the operation is dusty.
- Wear heavy long pants, boots, gloves and a long sleeve shirt. Do not wear loose clothing, jewelry, short pants, sandals or go barefoot. Secure hair above shoulder level.
- The cutting attachment shield must always be in place while operating the unit as a trimmer. Do not operate unit without both trimming lines extended, and the proper line installed. Do not extend the trimming line beyond the length of the shield.
- This unit has a clutch. The cutting attachment remains stationary when the engine is idling. If it does not, have the unit adjusted by an authorized service technician.
- Adjust the handle to your size in order to provide the best grip.
- Be sure the cutting attachment is not in contact with anything before starting the unit.
- Use the unit only in daylight or good artificial light.
- Avoid accidental starting. Be in the starting position whenever pulling the starter rope. The operator and unit must be in a stable position while starting. Refer to *Starting/Stopping Instructions*.
- Use the right tool. Only use this tool for its intended purpose.
- Do not overreach. Always keep proper footing and balance.

- Always hold the unit with both hands when operating. Keep a firm grip on both handles or grips.
- Keep hands, face, and feet at a distance from all moving parts. Do not touch or try to stop the cutting attachment when it rotates.
- Do not touch the engine, gear housing or muffler. These parts get extremely hot from operation, even after the unit is turned off.
- Do not operate the engine faster than the speed needed to cut, trim or edge. Do not run the engine at high speed when not cutting.
- Always stop the engine when cutting is delayed or when walking from one cutting location to another.
- If you strike or become entangled with a foreign object, stop the engine immediately and check for damage. Do not operate before repairing damage. Do not operate the unit with loose or damaged parts.
- Stop the unit, switch the engine to off, and disconnect the spark plug for maintenance or repair.
- Use only original equipment manufacturer replacement parts and accessories for this unit. These are available from your authorized service dealer. Use of any unauthorized parts or accessories could lead to serious injury to the user, or damage to the unit, and void your warranty.
- Keep unit clean of vegetation and other materials. They may become lodged between the cutting attachment and shield.
- To reduce fire hazard, replace a faulty muffler and spark arrestor. Keep the engine and muffler free from grass, leaves, excessive grease or carbon build up.

## BL26BC ONLY: WHILE OPERATING WITH CUTTING BLADE

- Read and understand all safety warnings before operating this unit.
- Always use the shoulder harness when using the brush blade accessory.
- Keep the J-handle between the operator and cutting attachment or blade at all times.
- NEVER cut when the cutting blade is 30 inches (76 cm) or more above the ground level.
- Blade thrust may occur when the spinning blade contacts an object that it does not immediately cut. Blade thrust can be violent enough to propel the unit and/or operator in any direction, possibly causing a loss of control. Blade thrust can occur without warning if the blade snags, stalls or binds. This is more likely to occur in areas where it is difficult to see the material being cut.
- For operation with the brush blade, do not cut anything thicker than 1/2 inch or a violent kickback could occur.

# RULES FOR SAFE OPERATION

- Do not attempt to touch or stop the blade when it is rotating.
- A coasting blade can cause injury while it continues to spin after the engine is stopped or the throttle trigger is released. Maintain proper control until the blade has completely stopped rotating.
- Do not run the unit at high speed when not cutting.
- If you strike or become entangled with a foreign object, stop the engine immediately and check for damage. Have any damage repaired before attempting further operations. Do not operate unit with a bent, cracked or dull blade. Discard blades that are bent, warped, cracked or broken.
- Do not sharpen the cutting blade. Sharpening the blade can cause the blade tip to break off while in use. This can result in severe personal injury. Replace the blade.
- Do not use the cutting blade for edging or as an edger; severe personal injury to yourself or others may incur. Use the cutting blade only for the purpose described in this manual.
- Stop the engine IMMEDIATELY if you feel excessive vibration. Vibration is a sign of trouble. Inspect thoroughly for loose nuts, bolts or damage before continuing. Repair or replace affected parts as necessary.

## After Use

- Clean cutting blades with a household cleaner to remove any gum buildup. Oil the blade with machine oil to prevent rust.
- Lock up and store the cutting blade in an appropriate area to protect the blade from unauthorized use or damage.

## OTHER SAFETY WARNINGS

- Never store a fueled unit inside a building where fumes may reach an open flame or spark.
- Allow the engine to cool before storing or transporting. Be sure to secure the unit while transporting.
- Store the unit in a dry area, locked up or up high to prevent unauthorized use or damage, out of the reach of children.
- Never douse or squirt the unit with water or any other liquid. Keep handles dry, clean and free from debris. Clean after each use, see *Cleaning and Storage* instructions.
- Keep these instructions. Refer to them often and use them to instruct other users. If you loan someone this unit, also loan them these instructions.

**SAVE THESE  
INSTRUCTIONS**

# RULES FOR SAFE OPERATION

## SAFETY AND INTERNATIONAL SYMBOLS

This operator's manual describes safety and international symbols and pictographs that may appear on this product. Read the operator's manual for complete safety, assembly, operating and maintenance and repair information.

### SYMBOL

### MEANING



#### • SAFETY ALERT SYMBOL

Indicates danger, warning, or caution. May be used in conjunction with other symbols or pictographs.



#### • WARNING - READ OPERATOR'S MANUAL

Read the Operator's Manual(s) and follow all warnings and safety instructions. Failure to do so can result in serious injury to the operator and/or bystanders.



#### • WEAR EYE AND HEARING PROTECTION

**WARNING:** Thrown objects and loud noise can cause severe eye injury and hearing loss. Wear eye protection meeting ANSI Z87.1-1989 standards and ear protection when operating this unit. Use a full face shield when needed.



#### • KEEP BYSTANDERS AWAY

**WARNING:** Keep all bystanders, especially children and pets, at least 50 feet (15 m.) from the operating area.



#### • UNLEADED FUEL

Always use clean, fresh unleaded fuel.



#### • OIL

Refer to operator's manual for the proper type of oil.



#### • THROWN OBJECTS AND ROTATING CUTTER CAN CAUSE SEVERE INJURY

**WARNING:** Do not operate without the cutting attachment shield in place. Keep away from the rotating cutting attachment.

### SYMBOL

### MEANING



#### • ON/OFF STOP CONTROL

ON / START / RUN



#### • ON/OFF STOP CONTROL

OFF OR STOP



#### • HOT SURFACE WARNING

Do not touch a hot muffler or cylinder. You may get burned. These parts get extremely hot from operation. When turned off they remain hot for a short time.



#### • CHOKE CONTROL

- 1 • FULL choke position.
- 2 • PARTIAL choke position.
- 3 • RUN position.



#### • SHARP BLADE

**WARNING:** Sharp blade on cutting attachment shield. To prevent serious injury, do not touch line cutting blade.



#### • BL26BC ONLY: BRUSHCUTTERS • REPLACE DULL BLADE

Do not sharpen the cutting blade. Sharpening the blade can cause the blade tip to break off while in use. This can result in severe personal injury.



#### • BL26BC ONLY: TRIMMER/ BRUSHCUTTER SAFETY

**WARNING:** Thrown objects and rotating cutter can cause severe injury. Keep bystanders, especially children and pets, at least 50 feet (15 m) away from the cutting area. The cutting attachment shield must be used when using the trimmer cutting attachment.

# KNOW YOUR UNIT

## APPLICATIONS

As a trimmer:

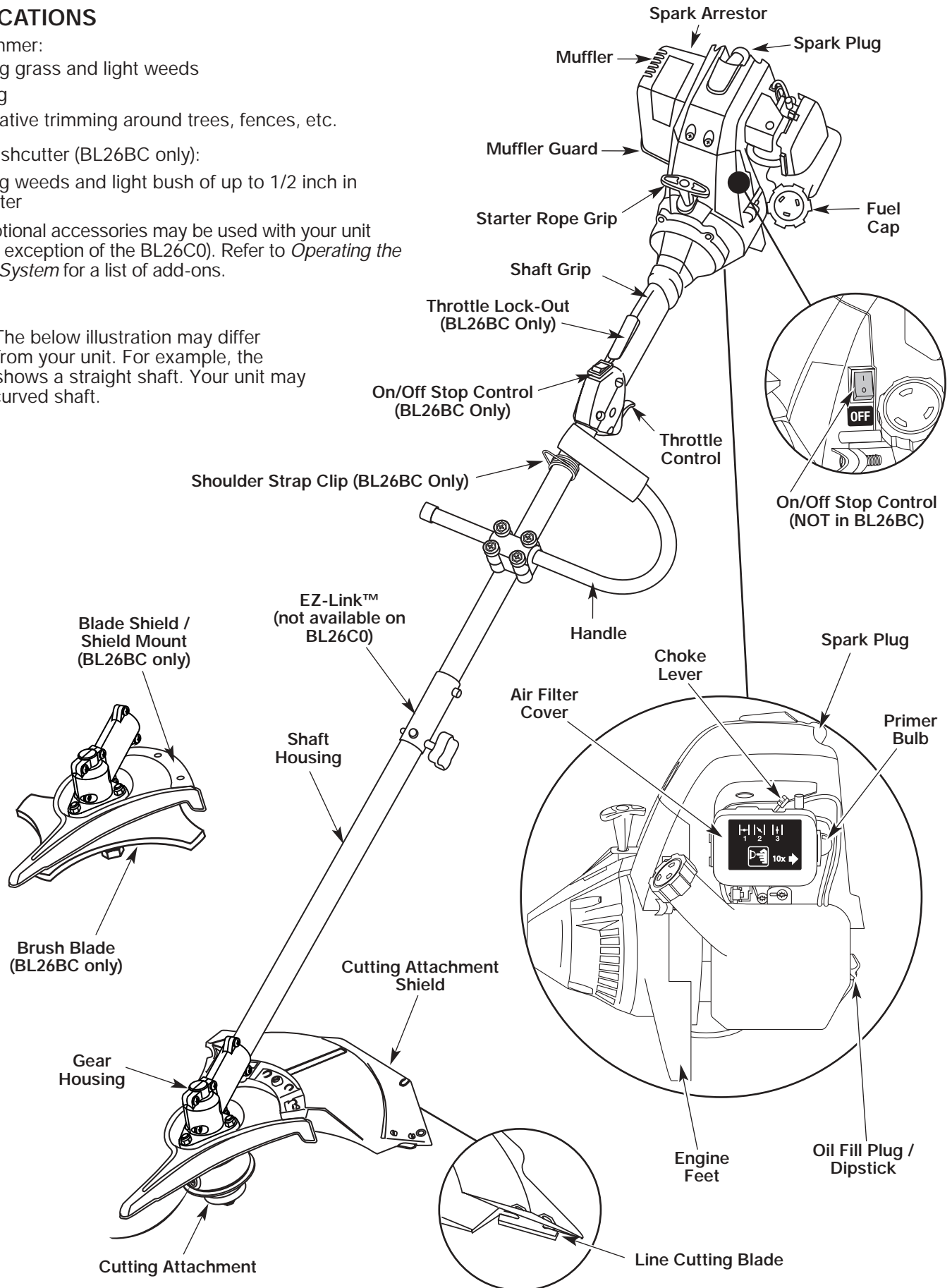
- Cutting grass and light weeds
- Edging
- Decorative trimming around trees, fences, etc.

As a brushcutter (BL26BC only):

- Cutting weeds and light bush of up to 1/2 inch in diameter

Other optional accessories may be used with your unit (with the exception of the BL26C0). Refer to *Operating the EZ-Link System* for a list of add-ons.

**NOTE:** The below illustration may differ slightly from your unit. For example, the picture shows a straight shaft. Your unit may have a curved shaft.



# ASSEMBLY INSTRUCTIONS

## INSTALL AND ADJUST THE J-HANDLE

1. Place the J-handle between the top and middle clamp pieces (Fig. 1).

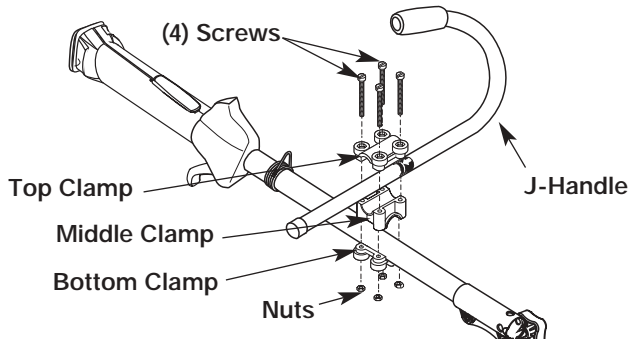


Fig. 1

2. While holding the three pieces together, install the four (4) screws through the top clamp and into middle clamp.

**NOTE:** The holes in the top and middle clamp will line up only when assembled correctly.

3. Place the clamps and the J-handle over the shaft housing and onto the bottom clamp.
4. Hold each hex nut in the bottom clamp recess with a finger. Start screws with a large Phillips screwdriver. Do not tighten until you make the handle adjustment.
5. Slide the J-handle in or out until the arrow/white line on the decal touches the clamp assembly (Fig. 2). You must first loosen the screws if the handle is pre-installed.

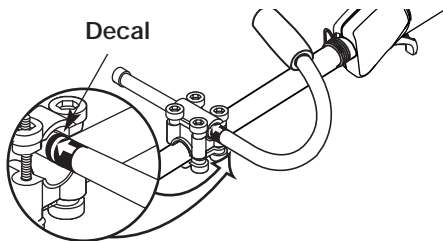


Fig. 2

6. While holding the unit in the operating position (Fig. 26), position the J-handle to the location that provides you the best grip.
7. Tighten the clamp screws evenly, until the J-handle

## BL26C0 ONLY: INSTALL THE CUTTING SHIELD

Use the following instructions if the cutting attachment shield on your unit is not installed.



**WARNING:** Never operate the trimmer without the cutting attachment shield in place to prevent serious personal injury.

1. Place the cutting attachment shield onto the shaft housing above the clamp assembly (Fig. 3).
2. Push the cutting attachment shield down to the top of the cutting attachment assembly and then rotate the cutting attachment shield until the screw holes align and the guard fits into the recessed pocket (Fig. 3).
3. Install the screws with a Phillips screwdriver (Fig. 4).

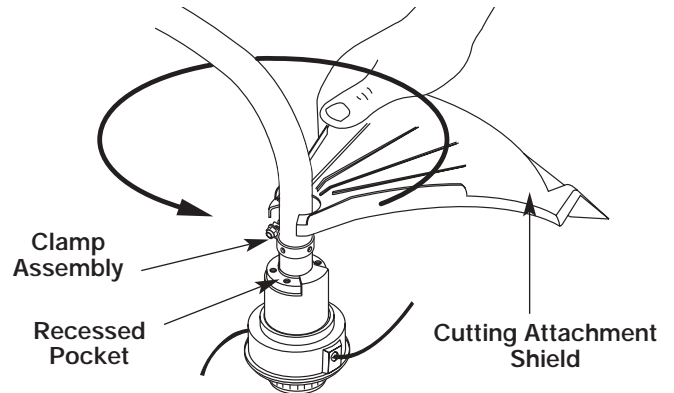


Fig. 3

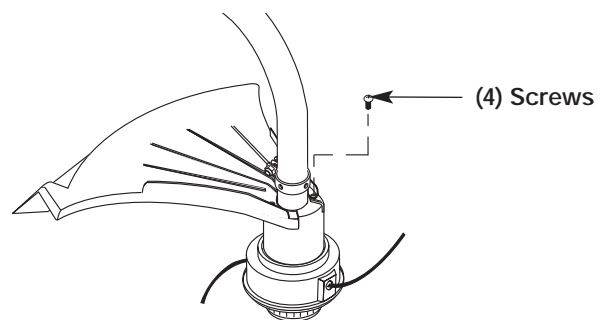


Fig. 4



# ASSEMBLY INSTRUCTIONS

## BL26BC ONLY: INSTALL THE HARNESS



**WARNING:** Always use the shoulder harness when using the cutting blade to avoid serious personal injury.

1. Push the strap through the center of the buckle.
2. Pull the strap over the cross bar and down through the slot in the buckle (Fig. 5).
3. Put the harness on over head and onto shoulder. Snap it on to the support fitting (Fig. 5).
4. Adjust length to fit the operator's size. Pull tab to lengthen, pull strap to shorten (Fig 6).

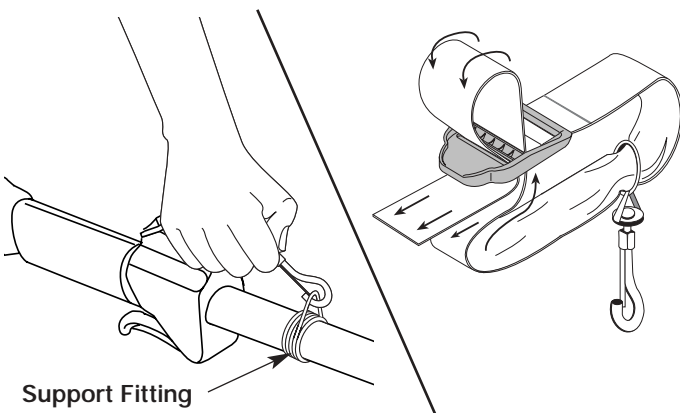


Fig. 5

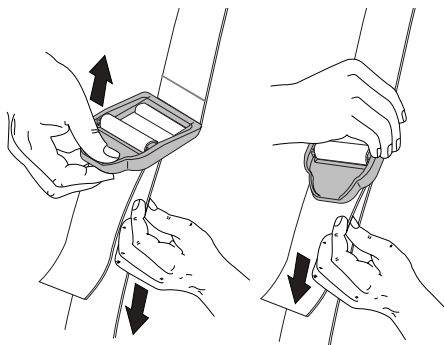


Fig. 6

## BL26BC ONLY: REMOVE AND INSTALL THE CUTTING ATTACHMENT SHIELD



**WARNING:** The cutting attachment shield should NOT be installed when operating the unit with a blade. Remove the cutting attachment shield before removing or installing the blade.

### Remove the cutting attachment shield when using the unit as a brushcutter

Remove the cutting attachment shield from the shield mount by removing the three (3) screws with a flat blade screwdriver (Fig. 7). Store parts for future use.

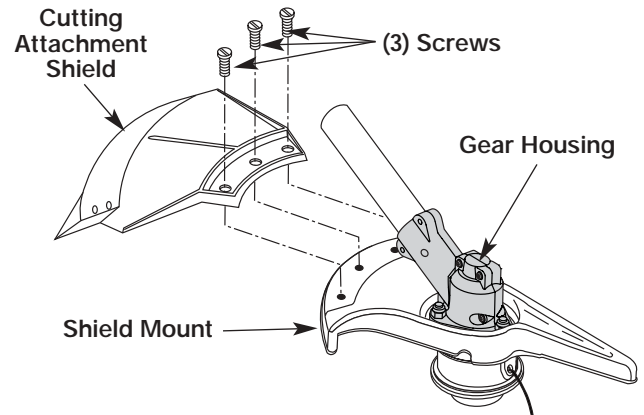


Fig. 7

### Install the cutting attachment shield when using the unit as a grass trimmer



**WARNING:** To avoid serious personal injury, the cutting attachment shield MUST be in place at all times while operating the unit as a grass trimmer.

Install the cutting attachment shield on the shield mount by inserting the three (3) screws into the shield mount. Tighten securely with a flat blade screwdriver (Fig. 7).

## BL26BC ONLY: REMOVE THE CUTTING ATTACHMENT & INSTALL CUTTING BLADE

**NOTE:** To make cutting blade removal and installation easier, place the unit on the ground or on a work bench.

### Remove the Cutting Attachment Shield



**WARNING:** The gear housing gets hot with use. It can result in injury to the operator. The housing remains hot for a short time even after the unit is turned off. Do not touch the gear housing until it has cooled.

See *Remove and Install the Cutting Attachment Shield*.

### Remove the Cutting Attachment

1. Align the shaft bushing hole with the locking rod slot and insert the locking rod into the shaft bushing hole (Fig. 8).

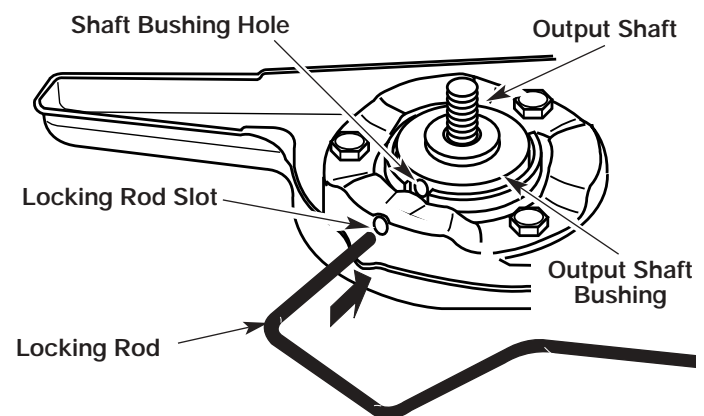


Fig. 8

# ASSEMBLY INSTRUCTIONS

2. Hold the locking rod in place by grasping it next to the boom of the unit (Fig. 9).
3. While holding the locking rod, remove the cutting attachment by turning it clockwise off of the output shaft (Fig. 10). Store the cutting attachment for future use.

**NOTE:** The blade retainer under the cutting attachment will be used when installing the cutting blade.

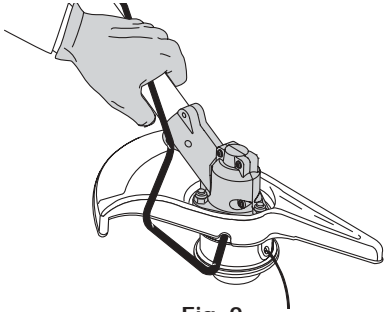


Fig. 9

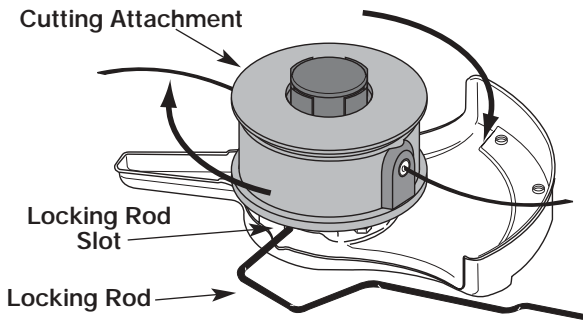


Fig. 10

## Install the Cutting Blade



**WARNING:** To avoid serious personal injury, always wear gloves while handling or installing the blade.

4. Place the cutting blade on the output shaft bushing (Fig. 11).

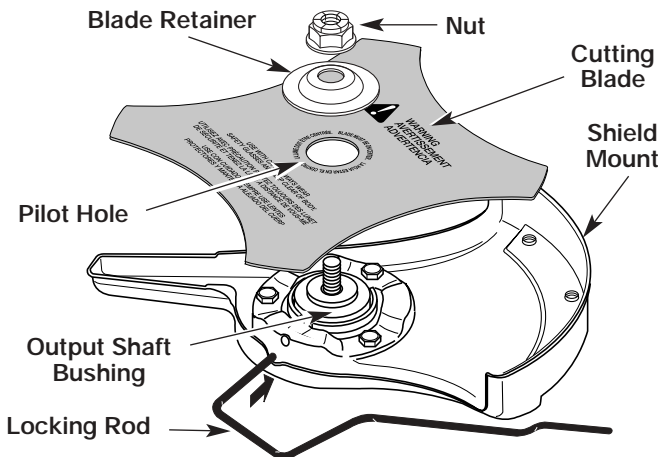


Fig. 11

5. Make sure that the cutting blade is centered on the pilot step and sitting flat against the output shaft bushing (Fig. 12).



**WARNING:** If the cutting blade is off-center, the unit will vibrate and the blade may fly off, causing possible serious personal injury.

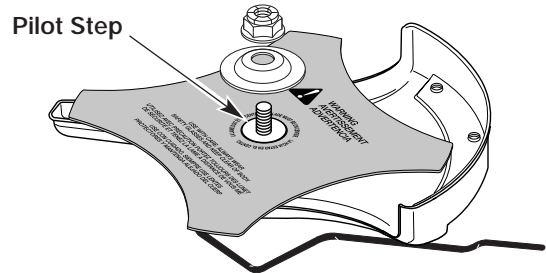


Fig. 12

6. Align the shaft bushing hole with the locking rod slot and insert the locking rod into the bushing hole (Fig. 8).
7. Put the blade retainer and nut on the output shaft. Make sure that the blade is installed correctly.
8. Tighten nut counterclockwise against the blade while holding the locking rod:
  - If using a torque wrench and an 5/8 inch socket tighten to: **325 - 335 in•lb, 27 - 28 ft.•lb, 37 - 38 N•m.**
  - Without a torque wrench, use a 5/8 inch closed-end or socket wrench, turning the nut until the blade retainer is snug against the shaft bushing. Make sure that the blade is installed correctly, then rotate the nut an additional 1/4 to 1/2 turn counterclockwise (Fig. 13).

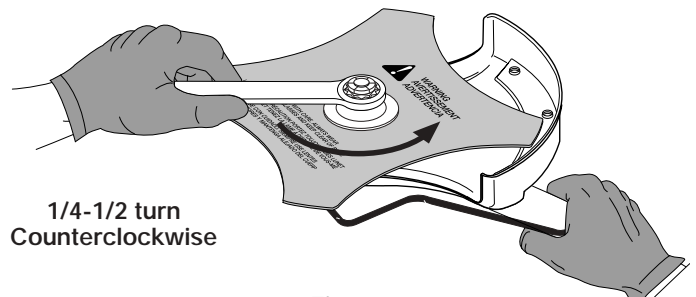


Fig. 13

9. Remove the locking rod from the locking rod slot.



**WARNING:** To avoid serious personal injury or damage to the unit, do not start or operate this unit with the locking rod in the locking rod slot.



**WARNING:** Do not sharpen the cutting blade. Sharpening the blade can cause the blade tip to break off while in use. This can result in severe personal injury. Replace the blade.

# OIL AND FUEL INFORMATION

## BL26BC ONLY: REMOVE CUTTING BLADE & INSTALL THE CUTTING ATTACHMENT



**WARNING:** To avoid serious personal injury, always wear gloves while handling or installing the blade.

### Remove the Cutting Blade

1. Align the shaft bushing hole with the locking rod slot and insert the locking rod into the bushing hole (Fig. 8).
2. Hold the locking rod in place by grasping it next to the boom of the unit (Fig. 14).
3. While holding the locking rod, loosen the nut on the blade by turning it clockwise with a 5/8 inch closed-end or socket wrench (Fig. 14).

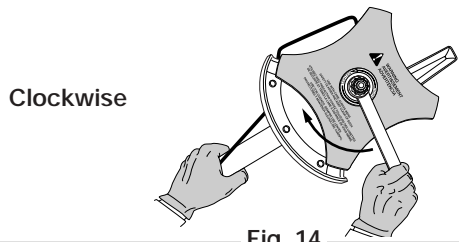


Fig. 14

4. Remove the nut, blade retainer and blade. Store the nut and blade together for future use in a secure place. Store out of children's reach.

### Install the Cutting Attachment

5. Align the shaft bushing hole with the locking rod slot and insert the locking rod into the shaft bushing hole (Fig. 8). Place the blade retainer on the output shaft with the flat surface against the output shaft bushing (Fig. 15). Screw the cutting attachment counterclockwise onto the output shaft. Tighten securely.

**NOTE:** The blade retainer must be installed on the output shaft in the position shown for the cutting attachment to work correctly.

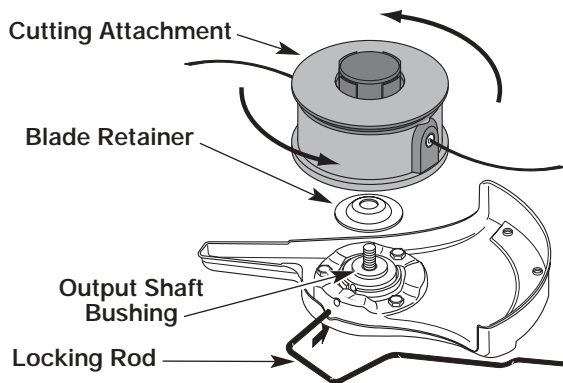


Fig. 15

6. Remove the locking rod.
7. Install the cutting attachment shield. Refer to *Remove and Install the Cutting Attachment Shield*.



**WARNING:** To avoid serious personal injury, the cutting attachment shield **MUST** be in place at all times while operating the unit as a trimmer.



**WARNING:** OVERFILLING OIL CRANKCASE MAY CAUSE SERIOUS PERSONAL INJURY. Check and maintain the proper oil level in the crank case; it is important and cannot be overemphasized. Check the oil before each use and change it as needed. See *Changing the Oil*.

### RECOMMENDED OIL TYPE



Using the proper type and weight of oil in the crankcase is extremely important. Check the oil before each use and change the oil regularly. Failure to use the correct oil, or using dirty oil, can cause premature engine wear and failure. Use a high-quality SAE 30 weight oil of API (American Petroleum Institute) service class SF, SG, SH.

### ADDING OIL TO CRANKCASE: INITIAL USE

**NOTE:** This unit is shipped without oil. In order to avoid damage to the unit, put oil in the crankcase before you attempt to start the unit.

Your unit is supplied with one 3.4 fluid oz. (100 ml.) bottle of SAE 30 SF, SG, SH oil (Fig. 16).

**NOTE:** Save the bottle of oil. It can be used to measure the correct amount during future oil changes. See *Changing the Oil*.

1. Unscrew the top of the bottle of oil and remove the paper seal covering the opening. Replace the top. Next, cut the tip off the funnel spout (Fig. 16).

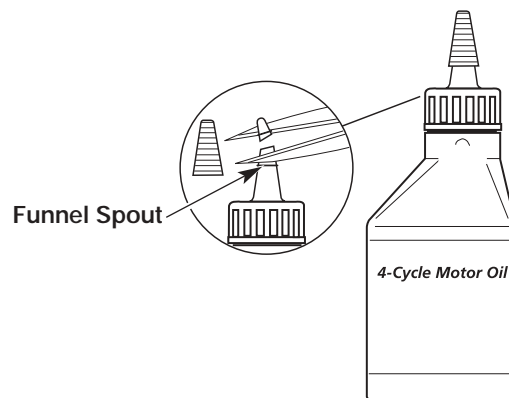


Fig. 16

2. Place the unit on a flat level surface (Fig. 18).
3. Remove the oil plug / dipstick from the crankcase (Fig. 17).
4. Pour the entire bottle of oil into the oil fill hole (Fig. 18).

# OIL AND FUEL INFORMATION

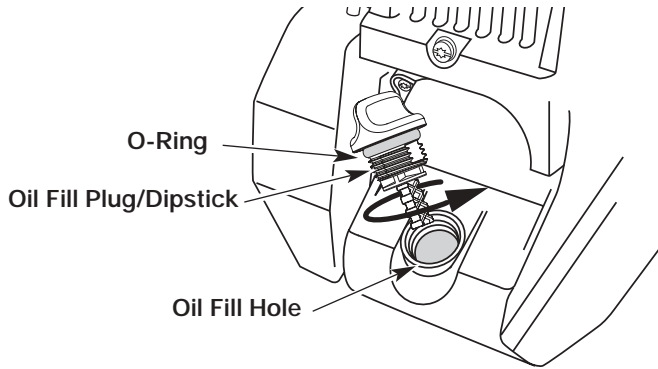


Fig. 17

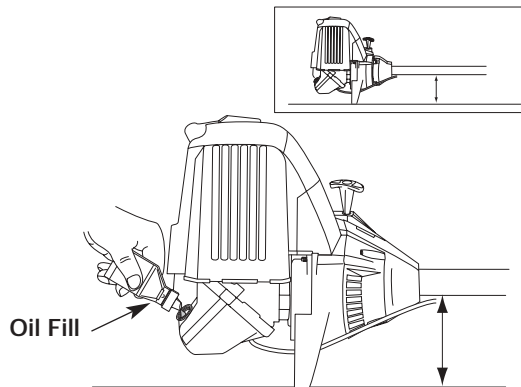


Fig. 18

**NOTE:** Never add oil to the fuel or fuel tank.

5. Wipe up any oil that may have spilled and reinstall the oil fill plug / dipstick.

Check oil before each use and change as needed. Refer to *Checking the Oil Level*.

## RECOMMENDED FUEL TYPE

Old fuel is the primary reason for improper unit performance. Be sure to use fresh, clean, unleaded gasoline.

**NOTE:** This is a four cycle engine. In order to avoid damage to the unit, **do not mix oil with gasoline.**

### Definition of Blended Fuels

Today's fuels are often a blend of gasoline and oxygenates such as ethanol, methanol or MTBE (ether). Alcohol-blended fuel absorbs water. As little as 1% water in the fuel can make fuel and oil separate or form acids when stored. Use fresh fuel (less than 60 days old), when using alcohol-blended fuel.

### Using Blended Fuels

If you choose to use a blended fuel, or its use is unavoidable, follow recommended precautions:

- Always use fresh unleaded gasoline
- Use the fuel additive STA-BIL® or an equivalent
- Drain tank and run the engine dry before storing unit

## Using Fuel Additives

The use of fuel additives, such as STA-BIL® Gas Stabilizer or an equivalent, will inhibit corrosion and minimize the formation of gum deposits. Using a fuel additive can keep fuel from forming harmful deposits in the carburetor for up to six (6) months. Add 0.8 oz. (23 ml.) of fuel additive per gallon of fuel according to the instructions on the container. **NEVER** add fuel additives directly to the unit's gas tank.

## FUELING THE UNIT



**WARNING:** Gasoline is extremely flammable. Ignited Vapors may explode. Always stop the engine and allow it to cool before filling the fuel tank. Do not smoke while filling the tank. Keep sparks and open flames at a distance from the area.

1. Remove the fuel cap (Fig. 19).



**WARNING:** Remove fuel cap slowly to avoid injury from fuel spray. Never operate the unit without the fuel cap securely in place.

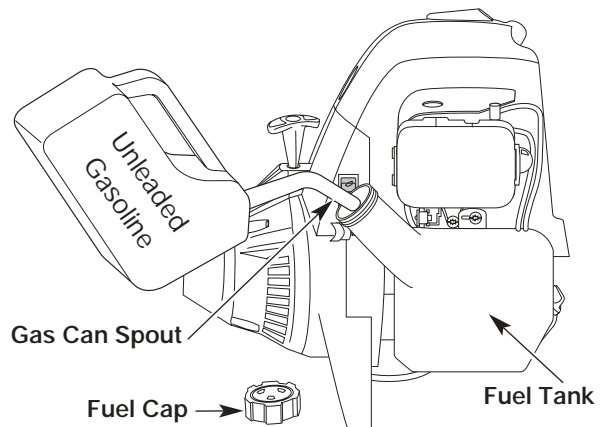


Fig. 19

2. Place the gas container's spout into the fill hole on the fuel tank (Fig. 19) and fill the tank.



**WARNING:** Add fuel in a clean, well ventilated outdoor area. Wipe up any spilled fuel immediately. Avoid creating a source of ignition for spilt fuel. Do not start the engine until fuel vapors dissipate.

**NOTE:** Do not overfill the tank.

3. Wipe up any gasoline that may have spilled.
4. Reinstall the fuel cap.
5. Move the unit at least 30 ft. (9.1 m) from the fueling source and site before starting the engine.

**NOTE:** Dispose of the old gasoline in accordance to Federal, State and Local regulations.

# STARTING/STOPPING INSTRUCTIONS



**WARNING:** Operate this unit only in a well-ventilated outdoor area. Carbon monoxide exhaust fumes can be lethal in a confined area.



**WARNING:** Avoid accidental starting. Make sure you are in the starting position when pulling the starter rope (Fig. 22). To avoid serious injury, the operator and unit must be in a stable position while starting. To avoid serious personal injury, ensure any Add-On being used is installed correctly and secure before starting the unit.

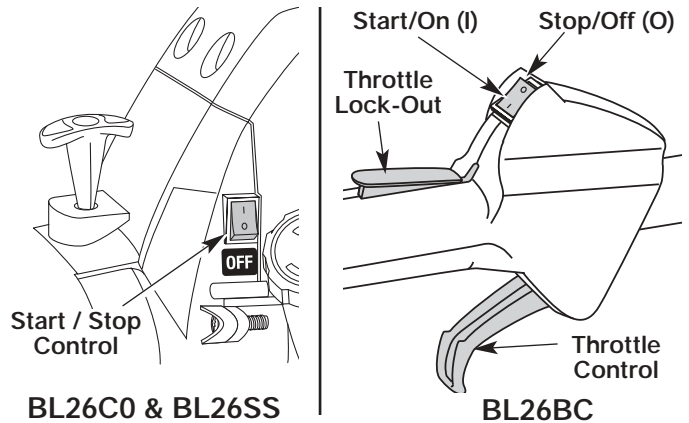


Fig. 20

## STARTING INSTRUCTIONS

1. Check the oil level in the crankcase. Refer to *Checking the Oil Level*.
2. Fill the fuel tank with fresh, clean unleaded gasoline. Refer to *Fueling the Unit*.
3. Make sure the On/Off Stop Control in the ON (I) position (Fig. 20).
4. Fully press and release the primer bulb 10 times, slowly. Some amount of fuel **should be visible in the primer bulb** and fuel lines (Fig. 21). If you can't see fuel in the bulb, press and release the bulb as many times as it takes before you can see fuel in it.
5. Place the choke lever in Position 1 (Fig. 21).
6. Crouch in the starting position (Fig. 22) and squeeze the throttle control (BL26BC: squeeze the throttle lock-out). Pull the starter rope briskly 5 times.
7. Place the choke lever in Position 2.
8. While squeezing the throttle control (BL26BC: and while holding the throttle lock-out), pull the starter rope briskly 1 to 3 times to start the engine.
9. Keep the throttle squeezed and allow the engine to warm up for 15 to 30 seconds.
10. Place the choke lever in Position 3. The unit is ready for use.

**IF...** The engine does not start, go back to step 4.

**IF...** The engine fails to start after a few attempts, place the choke lever in Position 3 and squeeze the throttle control. Pull the starter rope briskly 3 to 8 times. The engine should start. If not, repeat.

**IF WARM...** If the engine is already warm, make sure the On/Off Stop control is in the ON position and start the unit with the choke lever in Position 2. After the unit starts, move the choke lever to Position 3.

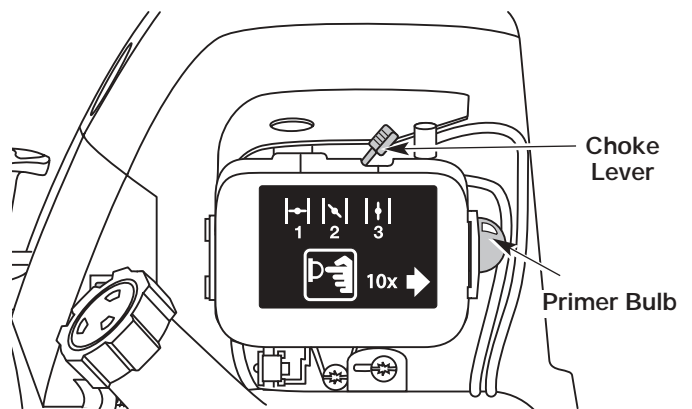


Fig. 21

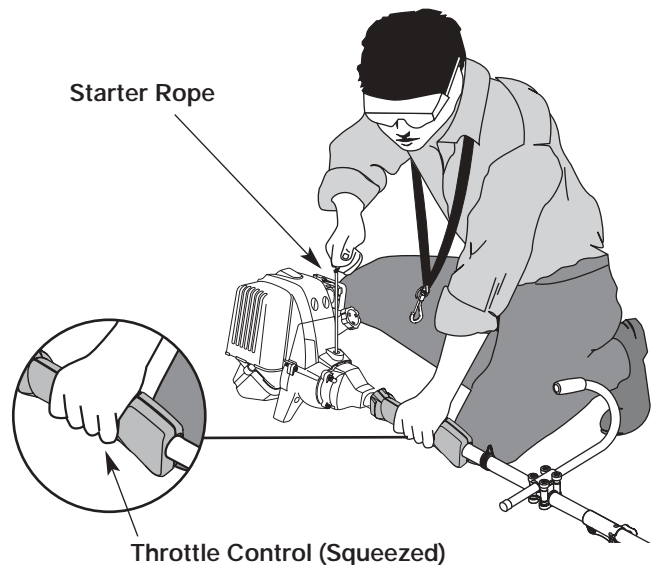


Fig. 22

## STOPPING INSTRUCTIONS


1. Release your hand from the throttle control. Allow the engine to cool down by idling.
2. Put the On/Off Stop Control in the OFF (O) position.

# OPERATING INSTRUCTIONS

## OPERATING THE EZ-LINK™ SYSTEM (Not Available on the BL26C0)

The EZ-Link™ system enables the use of these optional Add-Ons:

Blower/Vacuum .....	BV720r
Cultivator .....	GC720r
Edger .....	LE720r
Hedge Trimmer .....	HS720r
Snow Thrower .....	ST720r
Straight Shaft Trimmer .....	SS725r
Tree Pruner .....	TP720r
Turbo Blower .....	TB720r

	<b>WARNING:</b> Prior to operation, read and understand the operator's manual for the add-on to be used with this unit.
-----------------------------------------------------------------------------------	-------------------------------------------------------------------------------------------------------------------------

	<b>WARNING:</b> To avoid serious personal injury and damage to the unit, shut the unit off before removing or installing add-ons.
-----------------------------------------------------------------------------------	-----------------------------------------------------------------------------------------------------------------------------------

### Removing the Cutting Attachment or Add-On

1. Turn the knob counterclockwise to loosen (Fig. 23).
2. Press and hold the release button (Fig. 23).
3. While firmly holding the upper shaft housing, pull the cutting attachment or add-on straight out of the EZ-Link™ coupler (Fig. 24).

### Installing the Cutting Attachment or Add-On

**NOTE:** Place the unit on the ground or on a work bench to make add-on installation or removal easier.

1. Turn knob counterclockwise to loosen (Fig. 23).

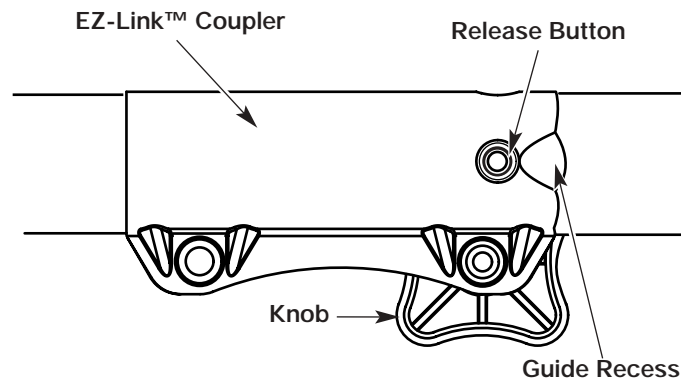


Fig. 23

2. While firmly holding the add-on, push it straight into the EZ-Link™ coupler (Fig. 24).

**NOTE:** Aligning the release button with the guide recess will help installation (Fig. 23).

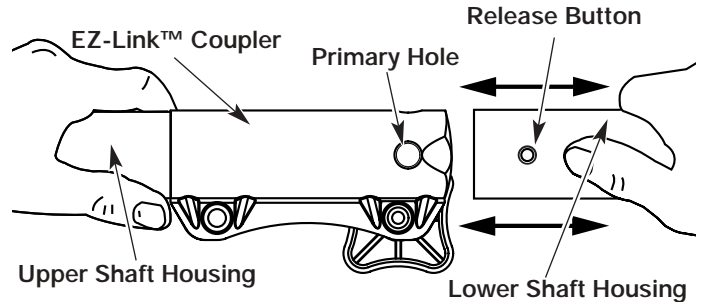



Fig. 24

3. Turn the knob clockwise to tighten (Fig. 25).

	<b>CAUTION:</b> Lock the release button in the primary hole (Fig. 24) and securely tighten the knob before operating this unit.
-----------------------------------------------------------------------------------	---------------------------------------------------------------------------------------------------------------------------------

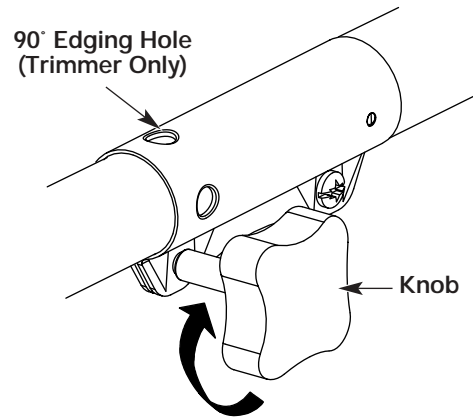



Fig. 25

	<b>CAUTION:</b> The add-ons with the coupler system is to be used in the primary hole only. Using the wrong hole could lead to personal injury or damage to the unit.
-------------------------------------------------------------------------------------	-----------------------------------------------------------------------------------------------------------------------------------------------------------------------

For edging (when using the line head cutting attachment with EZ-Link™ models), lock the release button of the cutting attachment into the **90° edging hole** (Fig. 25).

# OPERATING INSTRUCTIONS

## HOLDING THE TRIMMER



**WARNING:** Always wear eye, hearing, foot and body protection to reduce the risk of injury when operating this unit.

Before operating the unit, stand in the operating position (Fig. 26). Check for the following:

- The operator is wearing eye protection and proper clothing
- With a slightly-bent right arm, the operator's right hand is holding the shaft grip
- The operator's left arm is straight, the left hand holding the assist handle
- The unit is at waist level
- The cutting attachment is parallel to the ground and easily contacts the grass without the need to bend over

Once you are in the operating position, hook the shoulder strap to the unit (BL26BC only).



Fig. 26

## ADJUSTING TRIMMING LINE LENGTH

The Bump Head™ cutting attachment allows you to release trimming line without stopping the engine. To release more line, lightly tap the cutting attachment on the ground (Fig. 27) while operating the trimmer at high speed.

**NOTE:** Always keep the trimming line fully extended. Line release becomes more difficult as the cutting line becomes shorter.

Each time the head is bumped, about 1 inch (25.4 mm) of trimming line is released. A blade in the cutting attachment shield will cut the line to the proper length if excess line is released.

For best results, tap the Bump Head™ on bare ground or hard soil. If line release is attempted in tall grass, the engine may stall. Always keep the trimming line fully extended. Line release becomes more difficult as the cutting line becomes shorter.

**NOTE:** Do not rest the Bump Head™ on the ground while the unit is running.



**CAUTION:** Do not remove or alter the line cutting blade assembly. Excessive line length will make the clutch overheat. This may lead to serious personal injury or damage to the unit.

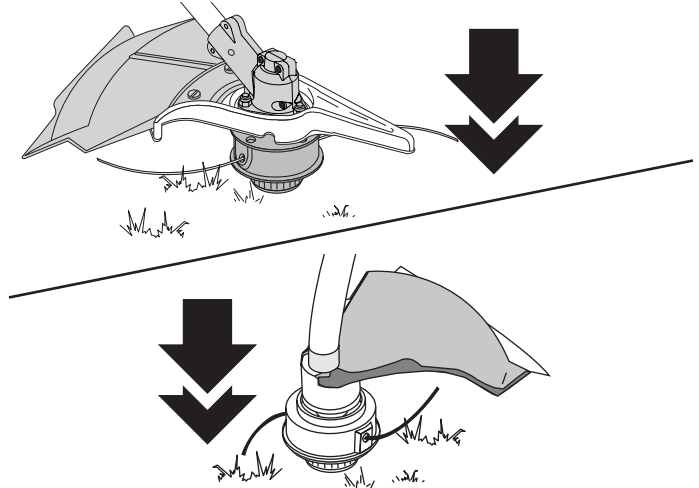


Fig. 27

Some line breakage will occur from:

- Entanglement with foreign matter
- Normal line fatigue
- Attempting to cut thick, stalky weeds
- Forcing the line into objects such as walls or fence posts

## TIPS FOR BEST TRIMMING RESULTS

- For best trimming results, operate unit at full throttle.
- Keep the cutting attachment parallel to the ground.
- Do not force the cutting attachment. Allow the tip of the line to do the cutting, especially along walls. Cutting with more than the tip will reduce cutting efficiency and may overload the engine.
- Cut grass over 8 inches (200 mm) by working from top to bottom in small increments to avoid premature line wear or engine drag.
- For the BL26BC brushcutter, cut from left to right whenever possible. Cutting to the right improves the unit's cutting efficiency. Clippings are thrown away from the operator. For the other units, cut from right to left.
- Slowly move the trimmer into and out of the cutting area at the desired height. Move either in a forward-backward or side-to-side motion. Cutting shorter lengths produces the best results.
- Trim only when grass and weeds are dry.
- The life of your cutting line is dependent upon:
  - Proper adherence of explained trimming techniques
  - What vegetation is cut
  - Where vegetation is cut

For example, the line will wear faster when trimming against a foundation wall as opposed to trimming around a tree.

# OPERATING INSTRUCTIONS

## DECORATIVE TRIMMING

Decorative trimming is accomplished by removing all vegetation around trees, posts, fences and more.

Rotate the whole unit so that the cutting attachment is at a 30° angle to the ground (Fig. 28).

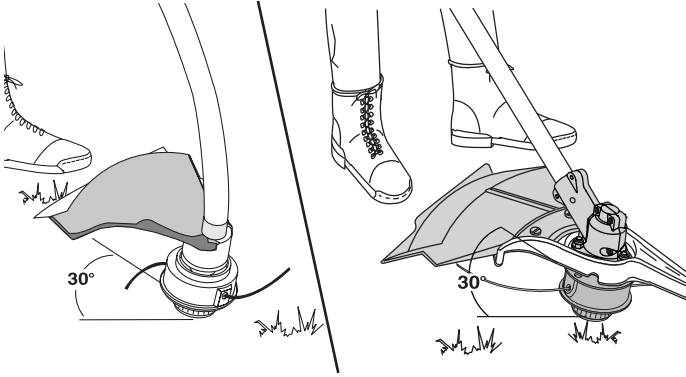


Fig. 28

## BL26BC ONLY: USING THE CUTTING BLADE



**WARNING:** Always wear eye, hearing, foot, body protection and the shoulder strap to reduce the risk of injury when operating this unit.



**WARNING:** Do not use the cutting blade for edging or as an edger. Severe personal injury to yourself or others can result.

Before operating the unit with the cutting blade, stand in the operating position (Fig. 29). Refer to *Holding the Trimmer*.

### Cutting Blade Operating Tips

To establish a rhythmic cutting procedure:

- Plant feet firmly, comfortably apart.
- Bring the engine to full throttle before entering the material to be cut. At full throttle the blade has maximum cutting power and is less likely to bind, stall or cause blade thrust (which can result in serious personal injury to the operator or others).



**WARNING:** Blade thrust may occur when the spinning blade contacts an object that it does not immediately cut. Blade thrust can be violent enough to cause the unit and/or operator to be propelled in any direction, and possibly lose control of the unit. Blade thrust can occur without warning if the blade snags, stalls or binds. This is more likely to occur in areas where it is difficult to see the material being cut.

- Cut while swinging the upper part of your body from left to right.
- Always release the throttle trigger and allow the engine to return to idle speed when not cutting.
- When you are finished, always unsnap the unit from the harness before taking off the harness.



**WARNING:** The blade continues to spin after the engine is turned off. The coasting blade can seriously cut you if accidentally touched.

- Swing the unit in the opposite direction as the blade spins, which increases the cutting action.
- After the return swing, move forward to the next area to be cut plant your feet again.
- The cutting blade is designed with a second cutting edge. You can use it by removing the blade, turning it upside down, and reinstalling it.



**WARNING:** Do not sharpen the cutting blade. Sharpening the blade can cause the blade tip to break off while in use. This can result in severe personal injury to yourself or others. Replace the blade.

To reduce the chance of material wrapping around the blade, follow these steps:

- Cut at full throttle
- Swing the unit into material to be cut from your left to your right (Fig. 30)
- Avoid the material just cut as you make the return swing



**WARNING:** Do not clear away any cut material with the engine running or blade turning. To avoid serious personal injury, turn off the engine. Allow the blade to stop before removing materials wrapped around the blade shaft.



Fig. 29

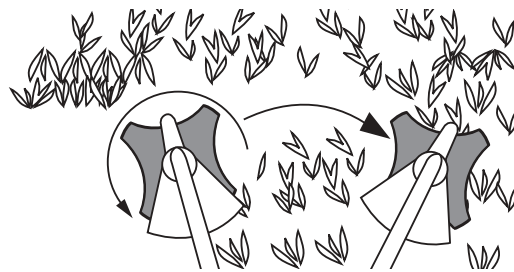


Fig. 30



# MAINTENANCE AND REPAIR INSTRUCTIONS

## MAINTENANCE SCHEDULE

Perform these required maintenance procedures at the frequency stated in the table. These procedures should also be a part of any seasonal tune-up.

**NOTE:** Some maintenance procedures may require special tools or skills. If you are unsure about these procedures take your unit to any non-road engine repair establishment, individual or authorized service dealer.

**NOTE:** Maintenance, replacement, or repair of the emission control devices and system may be performed by any non-road engine repair establishment, individual or authorized service dealer.

	<b>WARNING:</b> To prevent serious injury, never perform maintenance or repairs with unit running. Always service and repair a cool unit. Disconnect the spark plug wire to ensure that the unit cannot start.
--	----------------------------------------------------------------------------------------------------------------------------------------------------------------------------------------------------------------

FREQUENCY	MAINTENANCE REQUIRED	REFER TO
Before starting engine	Fill fuel tank with fresh fuel Check oil	Page 12 Page 22
Every 10 hours	Clean and re-oil air filter	Page 23
First change at 10 hours Every 25 hours thereafter Every 25 hours	Change oil Change oil Clean spark arrestor	Page 23 Page 23 Page 27
10 hours on new engine Every 25 hours Every 25 hours	Check rocker arm to valve clearance and adjust Check rocker arm to valve clearance and adjust Check spark plug condition and gap	Page 25 Page 25 Page 27

## LINE INSTALLATION

Your trimmer is equipped with one of two cutting attachments. The BL26C0 & BL26BC use a bump head, while the BL26SS is equipped with a SpeedSpool cutting head. Refer only to the section that applies to the type of cutting attachment your unit is equipped with.

### BUMP HEAD (BL26C0 & BL26BC)

This section covers both SplitLine™ and standard single line installation.

Always use original equipment manufacturer replacement line. Use 0.095 in. (2.41 mm) line for the BL26BC, and 0.080 in. (2.03 mm) line for the BL26C0. Line other than the specified may make the engine overheat or fail.

	<b>WARNING:</b> Never use metal-reinforced line, wire, chain or rope. These can break off and become dangerous projectiles.
--	-----------------------------------------------------------------------------------------------------------------------------

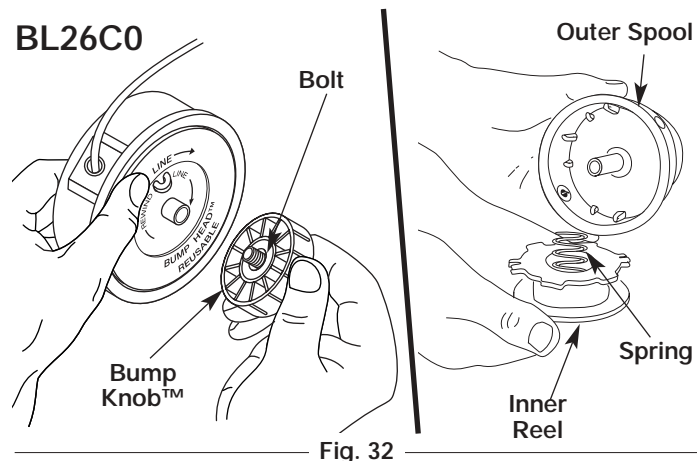
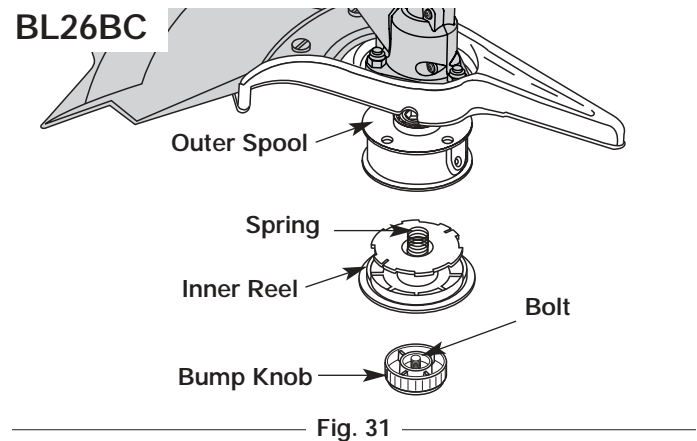
There are two methods to replace the trimming line:

- Wind the inner reel with new line
- Install a prewound inner reel

### Winding the Existing Inner Reel

1. Hold the outer spool with one hand and unscrew the Bump Knob. For the BL26BC, unscrew it clockwise (Fig. 31). For the BL26C0, unscrew the Bump Knob counterclockwise (Fig. 32).

Inspect the bolt inside the bump knob to make sure it moves freely. Replace the bump knob if damaged.



2. Remove the inner reel from outer spool (Fig. 31 or 32).

# MAINTENANCE AND REPAIR INSTRUCTIONS

3. Remove spring from the inner reel (Fig. 31 or 32).
4. Use a clean cloth to clean the the inner reel, spring, shaft and inner surface of the outer spool (Fig. 33).
5. Check the indexing teeth on the inner reel and outer spool for wear (Fig. 34 or 35). If necessary, remove burrs or replace the reel and spool.

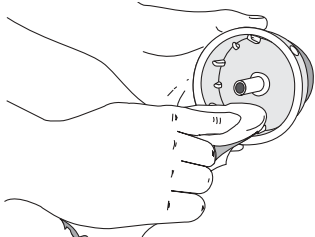


Fig. 33

**NOTE:** Always use the correct line length when installing trimming line on the unit. The line may not release properly if the line is too long.

**BL26BC**

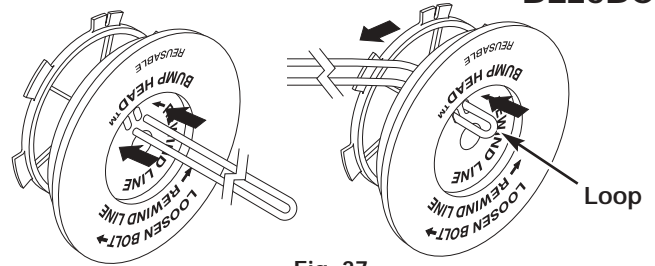


Fig. 37

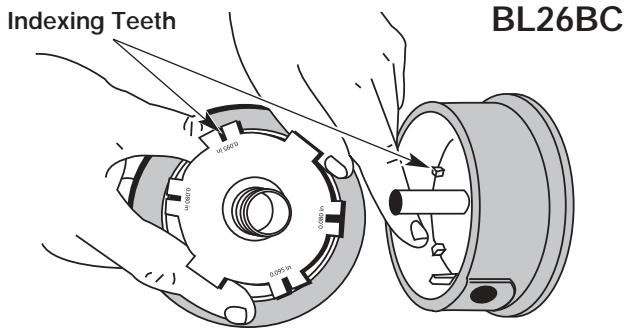


Fig. 34

**BL26C0**

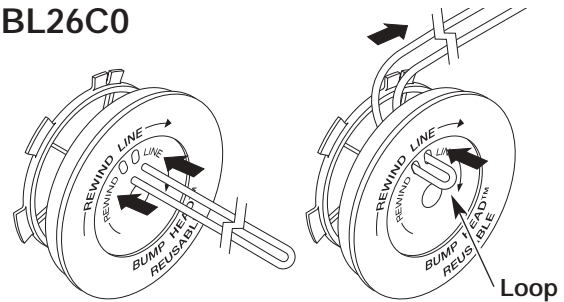


Fig. 38

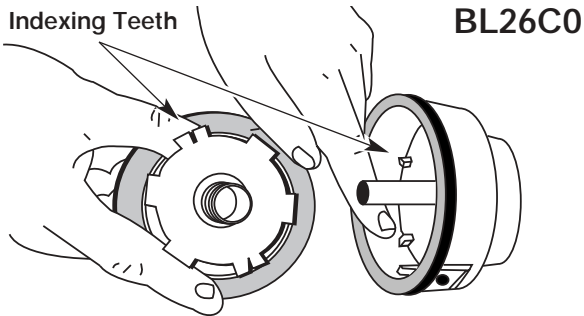


Fig. 35

## Single Line Installation

Go To Step 8 for SplitLine™ Installation

6. Take approximately 16 feet (5 m) of new trimming line, loop it into two equal lengths. Insert each end of the line through one of the two holes in the inner reel (Fig. 37 or 38). Pull the line through the inner reel so that the loop is as small as possible.
7. Wind the lines in tight even layers, onto the reel (Fig. 39 or 40). Wind the line in the direction indicated on the inner reel. Place your index finger between the two lines to stop the lines from overlapping. Do not overlap the ends of the line. Proceed to step 11.

**BL26BC**

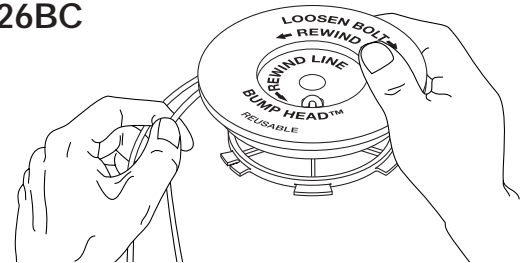


Fig. 39

**BL26C0**

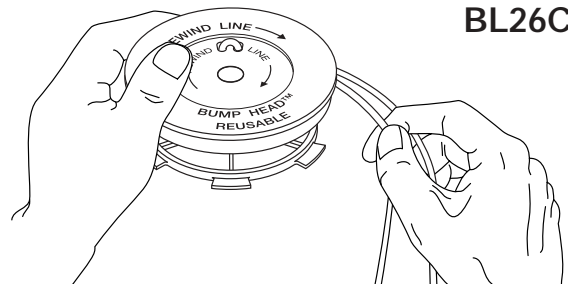
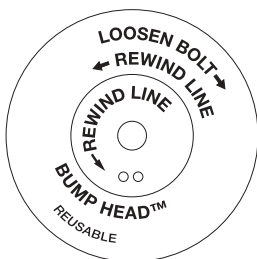


Fig. 40

**NOTE:** SplitLine™ can only be used with the inner reel with the slotted holes. Single line can be used on either type of inner reel. Use Figure 36 to identify the inner reel you have.

For Use with Single Line ONLY



For Use with SplitLine™ or Single Line

Slotted Holes

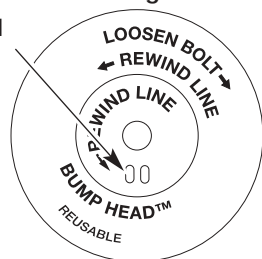


Fig. 36

# MAINTENANCE AND REPAIR INSTRUCTIONS

## SplitLine™ Installation

- Take approximately 8 feet (2.5 m) of new trimming line. Insert one end of the line through one of the two holes in the inner reel (Fig. 41 or 42). Pull the line through the inner reel until only about 4 inches is left out.
- Insert the end of the line into the open hole in the inner reel and pull the line tight to make the loop as small as possible (Fig. 41 or 42).
- Before winding, split the line back about 6 inches.
- Wind the line in tight even layers in the direction indicated on the inner reel.

**NOTE:** Failure to wind the line in the direction indicated will cause the cutting attachment to operate incorrectly.

- Insert the ends of the line into the two holding slots (Fig. 43).

### BL26BC

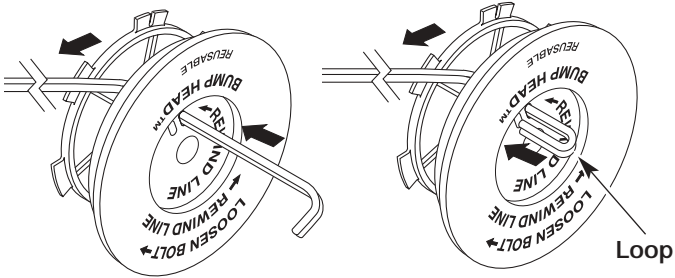


Fig. 41

### BL26C0

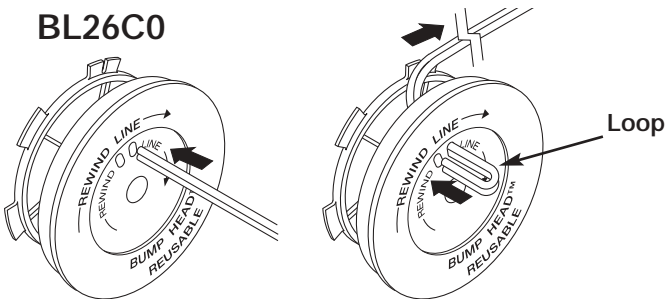


Fig. 42

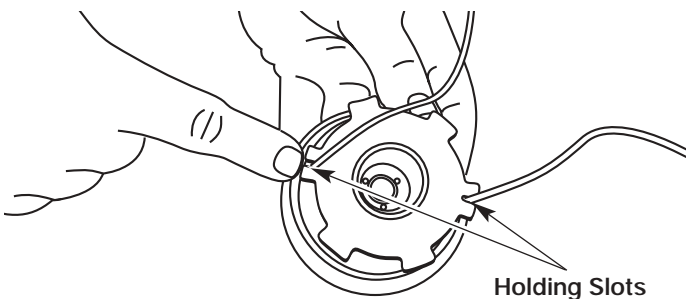


Fig. 43

- Insert the ends of the line through the eyelets in the outer spool and place inner reel with spring inside the outer spool (Fig. 44 or 45). Push the inner reel and outer spool together. While holding the inner reel and outer spool, grasp the ends and pull firmly to release the line from the holding slots in the reel.

**NOTE:** The spring must be assembled on the inner reel before reassembling the cutting attachment.

- Hold the inner reel in place and install the bump knob by turning counterclockwise (BL26BC) or clockwise (BL26C0). Tighten securely.

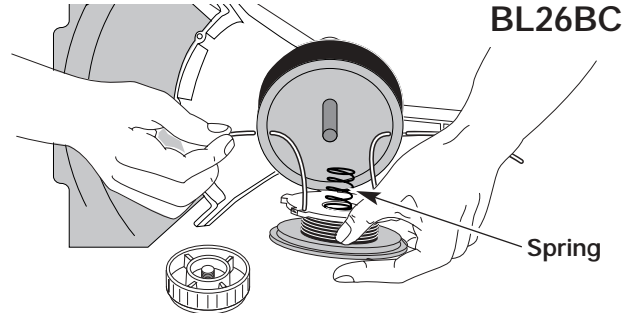


Fig. 44

### BL26C0

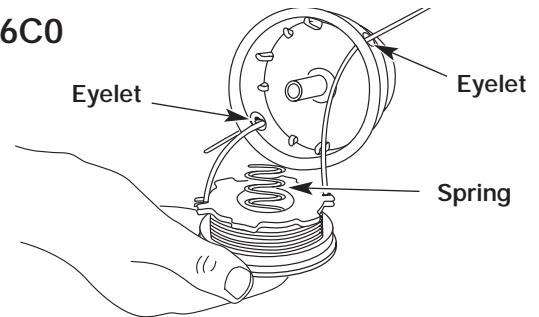


Fig. 45

## Installing a Prewound Wheel

- Hold the outer spool with one hand and unscrew the bump knob clockwise (BL26BC) or counterclockwise (BL26C0). Inspect the bolt inside the bump knob to make sure it moves freely. Replace the bump knob if damaged (Fig. 31 or 32).
- Remove the old inner reel from the outer spool (Fig. 31 or 32).
- Remove the spring from the old inner reel (Fig. 31 or 32).
- Place the spring in the new inner reel.

**NOTE:** The spring must be assembled on the inner reel before reassembling the cutting attachment.

- Insert the ends of the line through the eyelets in the outer spool (Fig. 44 or 45).
- Place the new inner reel inside the outer spool. Push the inner reel and outer spool together. While holding the inner reel and outer spool, grasp the ends and pull firmly to release the line from the holding slots in the spool.
- Hold the inner reel in place and install the bump knob by turning counterclockwise (BL26BC) or clockwise (BL26C0). Tighten securely.

# MAINTENANCE AND REPAIR INSTRUCTIONS

## SPEEDSPOOL® (BL26SS)



**WARNING:** Never use metal-reinforced line, wire, chain or rope. These can break off and become dangerous projectiles.

Always use original equipment manufacturer™ 0.080 inch (2.03 mm) replacement line. Lines other than those specified may make the engine overheat or fail.

There are two methods to replace the SpeedSpool® trimming line:

- Wind the inner reel with new line
- Install a pre-wound inner reel

### Winding the Inner Reel With New Line

**NOTE:** It is unnecessary to remove the bump knob to install a new trimming line.

1. Cut two pieces of 0.080 inch (2.03 mm) trimming line, 10 feet (3 m) long.
2. Hold the outer spool and turn the inner reel counterclockwise to line up the arrows on the outer spool and inner reel (Fig. 46).



**WARNING:** Always use the correct line length when installing trimming line on the unit. The line may not release properly if the line is too long.

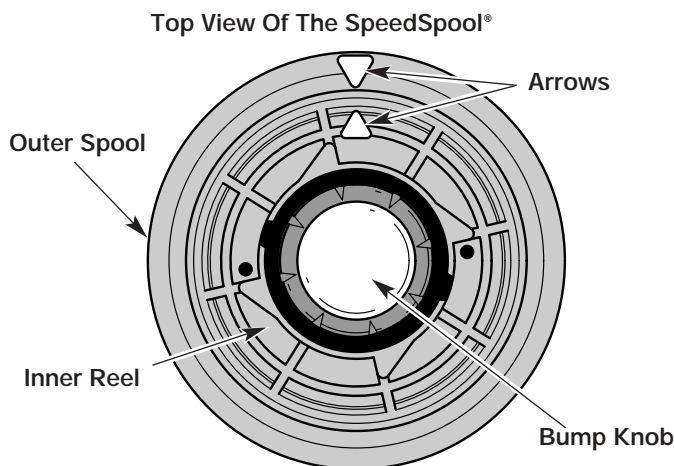


Fig. 46

3. Pull old line out of the line loading and line locking holes (Fig. 47 and 48).
4. Insert a piece of trimming line straight into one of the two eyelets in the outer spool. Push it up through the line loading hole in the inner reel (Fig. 47). Do not bend the line when inserting it into the eyelet.

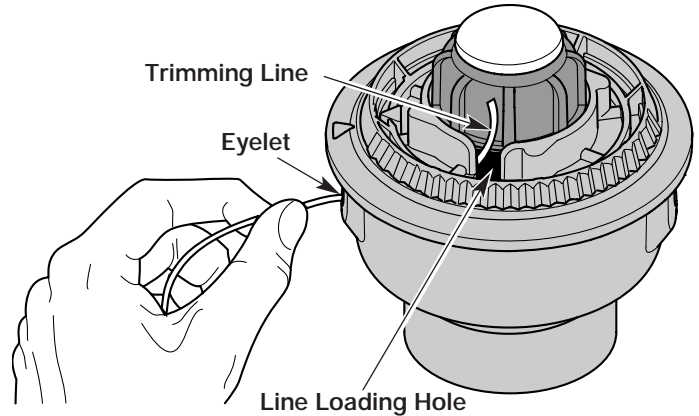


Fig. 47

5. Insert the line into the locking hole (Fig. 48). Do not push the line more than 1/2 inch (12.7 mm) into the line locking hole. The line will form a small loop (Fig. 48) when it is inserted correctly.

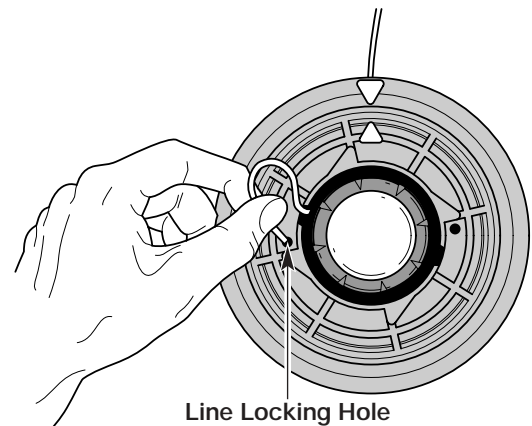


Fig. 48

6. Pull the line from the outer spool until the line is tight against the inner reel (Fig. 49).

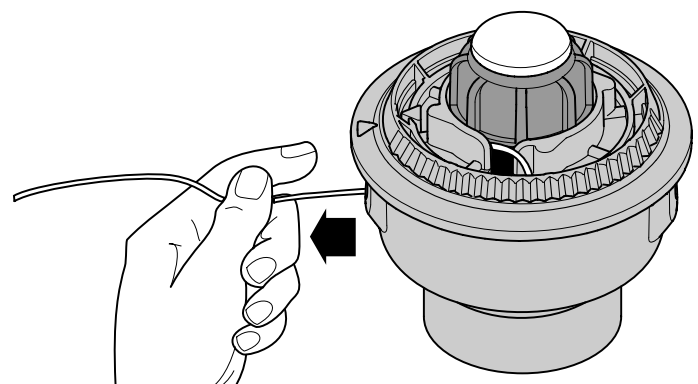


Fig. 49

# MAINTENANCE AND REPAIR INSTRUCTIONS

7. Repeat procedures 4-6 with the second piece of line.
8. Hold the outer spool. Wind the inner reel counterclockwise until approximately four (4) inches (102 mm) of line remain (Fig. 50).

**NOTE:** Do not wind the inner reel before installing the second piece of line.

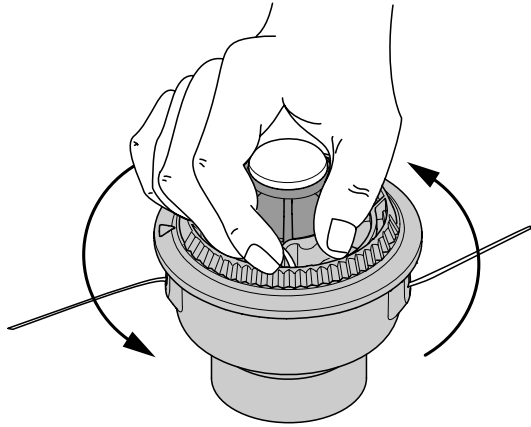


Fig. 50

9. If winding the line becomes difficult or if the line jams, pull the ends of the line from the spool (Fig. 51). Continue winding the inner reel counterclockwise.

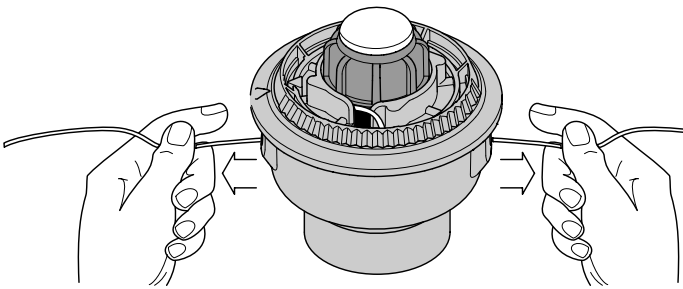


Fig. 51

## INSTALLING A PRE-WOUND REEL

1. Turn the bump knob counterclockwise and remove the bump knob, spring and foam seal (Fig. 52).

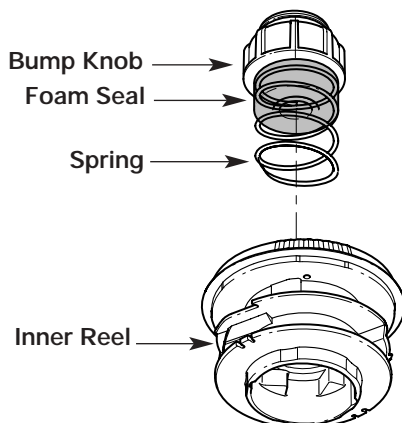


Fig. 52

2. Pull the old inner reel with existing line from the outer spool.
3. Insert the ends of the prewound inner reel line into the outer spool eyelets (Fig. 53). Push the new inner reel, arrow side up, into the outer spool.

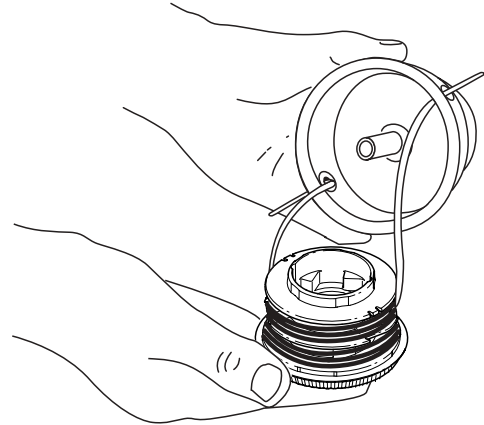


Fig. 53

4. Hold the inner reel in place and install the bump knob, spring and foam seal. Press down and turn the bump knob clockwise. Grasp the ends and pull firmly to release the line from the holding slots in the inner reel (Fig. 52).

## Releasing the Inner Reel

If the SpeedSpool® does not release line correctly, pull the ends of the line firmly from the spool (Fig. 51). If this does not release the line, follow the *Cleaning the SpeedSpool®* instructions.

## CLEANING THE SPEEDSPOOL®

Cleaning the SpeedSpool® may be necessary if:

- A jammed or excessive line must be removed
  - The SpeedSpool® becomes difficult to wind or does not operate correctly when bumping the head on the ground
1. Hold the outer spool, and unscrew the bump knob counterclockwise (Fig. 54).
  2. Pull out the bump knob, spring and foam seal (Fig. 52).

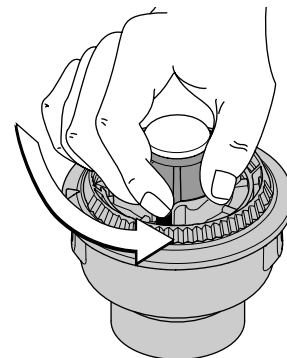


Fig. 54

3. Pull the inner reel with existing line from the outer spool (Fig. 53).

# MAINTENANCE AND REPAIR INSTRUCTIONS

4. Remove any existing line from the inner reel before cleaning. Remove any debris or grass from the knob, spring, inner reel and foam seal. Wash the inner reel with warm soapy water (Fig. 55).

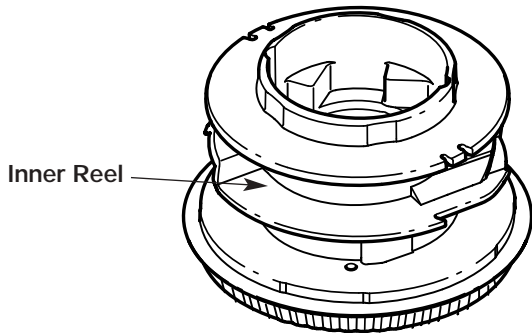


Fig. 55

5. Clean the shaft and the inner surface of the outer spool. To clean the shaft underneath the plunger, press down on the plunger (Fig. 56). Remove any dirt or debris from the shaft.

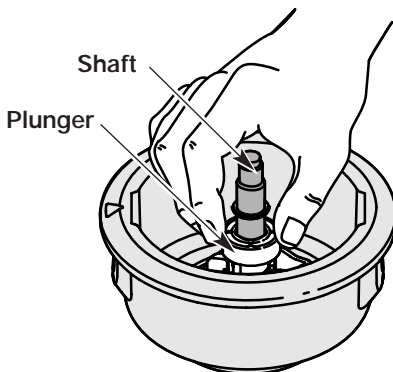


Fig. 56

**NOTE:** The inner reel must be totally dry before reinstalling it into the outer spool. Do not lubricate the inner reel or outer spool assembly.

6. Place the inner reel into the outer spool.
7. Place the bump knob, spring and foam seal into the inner reel (Fig. 52).
8. Press the bump knob down and tighten clockwise.
9. Install new line as described in *Line Installation for the SpeedSpool®*.

## CHECKING THE OIL LEVEL



**CAUTION:** To prevent extensive engine wear and damage to the unit, always maintain the proper oil level in the crankcase. Never operate the unit with the oil level below the bottom of the dipstick.

The importance of checking and maintaining the proper oil level in the crankcase cannot be overemphasized. Check oil before each use:

1. Stop the engine and allow oil to drain into the crankcase.
2. Place the unit on a flat, level surface to get a proper oil level reading.
3. Keep dirt, grass clippings and other debris out of the engine. Clean the area around the oil fill plug/dipstick before removing it.
4. Remove the oil fill plug/dipstick and wipe off oil. Reinsert it all the way back in.
5. Remove the oil fill plug/dipstick and check the oil level. Oil should be up to the top of the dipstick (Fig. 57).

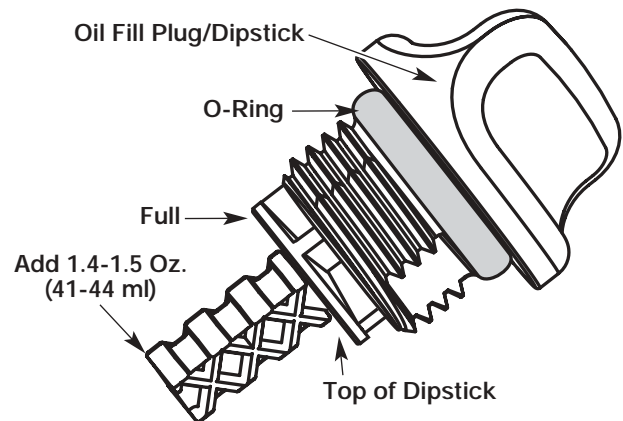


Fig. 57

6. If the level is low, add a small amount of oil to the oil fill hole and recheck (Fig. 58). Repeat this procedure until the oil level reaches the top of the dipstick.

**NOTE:** Do not overfill the unit.

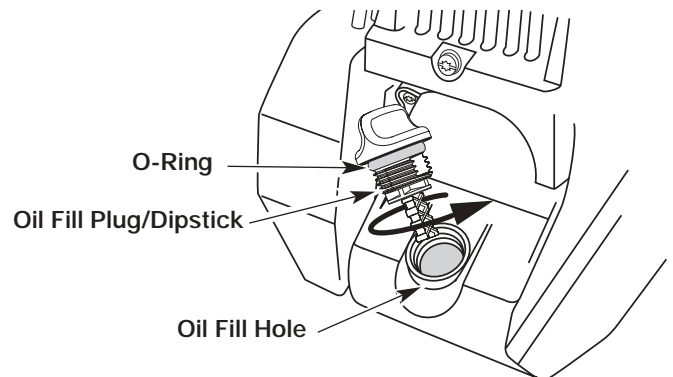


Fig. 58

**NOTE:** Make sure the O-ring is in place on the oil fill plug/dipstick when checking and changing the oil (Fig. 58).

# MAINTENANCE AND REPAIR INSTRUCTIONS

## CHANGING THE OIL

For a new engine, change the oil after the first 10 hours of operation. Change the oil while the engine is still warm. The oil will flow freely and carry away more impurities.

1. Unplug spark plug boot to prevent accidental starting.



**CAUTION:** Wear gloves to prevent injury when handling the unit.

2. Remove the oil fill plug/dipstick.
3. Pour the oil out of the oil fill hole and into a container by tipping the unit to a vertical position (Fig. 59). Allow ample time for complete drainage.

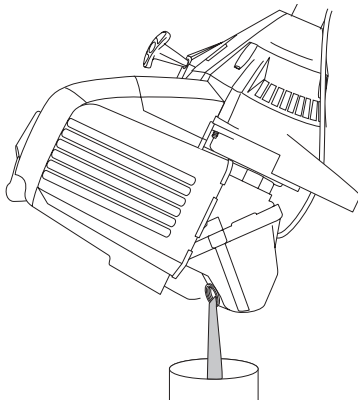


Fig. 59

4. Wipe up any oil residue on the unit and clean up any oil that may have spilled. Dispose of the oil according to Federal, State and local regulations.
5. Refill the crankcase with 3.4 fluid ounce (100 ml) of SAE 30 SF, SG, SH oil.

**NOTE:** Use the bottle and spout saved from initial use to measure the correct amount of oil. The top of the label on the bottle measures approximately 3.4 ounces (100 ml) (Fig. 60). Check the level with the dipstick. If the level is low, add a small amount of oil and recheck. Do not overfill (Fig. 60).

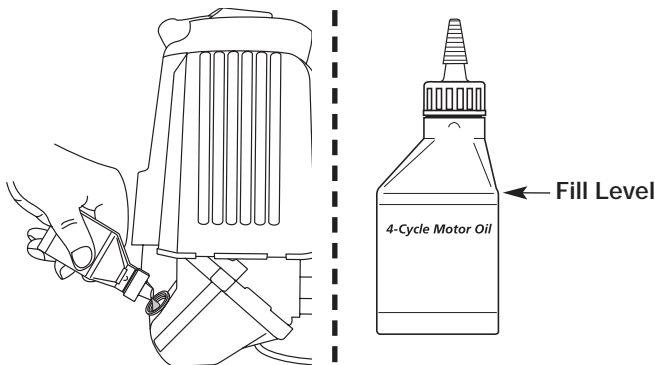


Fig. 60

6. Replace the oil fill plug/dipstick.
7. Reconnect the spark plug boot.

## AIR FILTER MAINTENANCE

### Cleaning the Air Filter

Clean and re-oil the air filter every 10 hours of operation. It is an important item to maintain. Failure to maintain your air filter properly can result in poor performance or can cause permanent damage to your engine.



**WARNING:** To avoid serious personal injury, always turn the unit off and allow it to cool before you clean or service it.

1. Open the air filter cover. Push the tab on the right side of the cover inward. Then pull the air filter cover out and to the left (Fig. 61).

**NOTE:** It may be necessary to remove the fuel cap to completely remove the air filter cover.

2. Remove the air filter (Fig. 61).

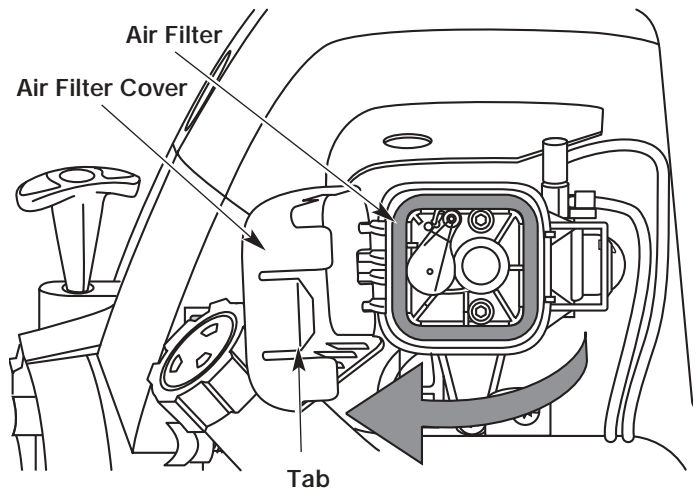


Fig. 61

# MAINTENANCE AND REPAIR INSTRUCTIONS

3. Wash the filter in detergent and water (Fig. 62). Rinse the filter thoroughly and allow it to dry.

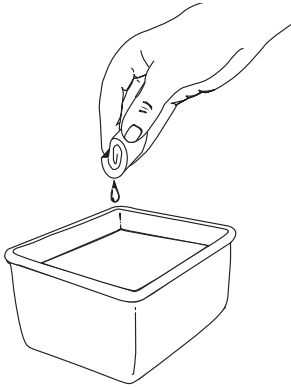


Fig. 62

4. Apply enough clean SAE 30 motor oil to lightly coat the filter (Fig. 63).

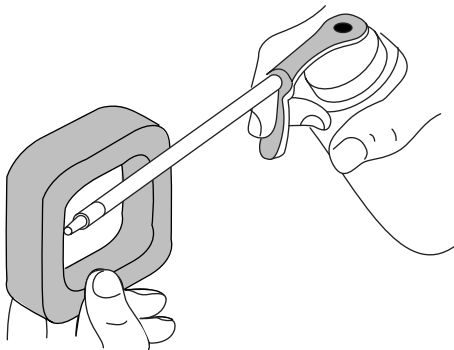


Fig. 63

5. Squeeze the filter to spread and remove excess oil (Fig. 64).

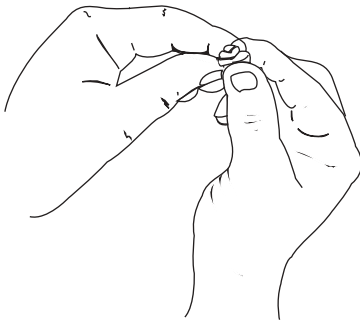


Fig. 64

6. Replace the filter (Fig. 65).

**NOTE:** If the unit is operated without the air filter, you will **VOID** the warranty.

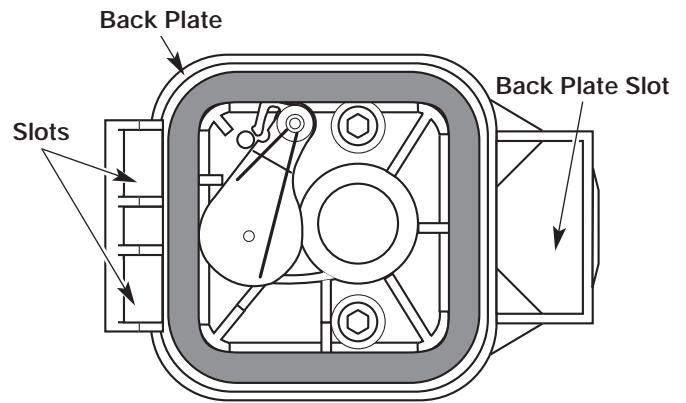


Fig. 65

7. Reinstall the air filter cover. Position the hooks on the left side of the air filter cover into the slots at the left side of the back plate (Fig. 65).

**NOTE:** It may be necessary to remove the fuel cap to reinstall the air filter cover.

8. Swing the cover to the right until the tab on the air filter cover snaps into place in the slot on the back plate (Fig. 65).
9. Replace the fuel cap if it was removed.

## CARBURETOR ADJUSTMENT

The idle speed of the engine is adjustable. An idle adjustment screw is reached through a hole in the top of the engine cover (Fig. 66).

**NOTE:** Careless adjustments can seriously damage your unit. An authorized service dealer should make carburetor adjustments.

### Check Fuel

Old fuel is usually the reason for improper unit performance. Drain and refill the tank with fresh fuel prior to making any adjustments. Refer to *Oil and Fuel Information*.



# MAINTENANCE AND REPAIR INSTRUCTIONS

## Clean Air Filter

The condition of the air filter is important to the operation of the unit. A dirty air filter will restrict air flow. This is often mistaken for an out of adjustment carburetor. Check the condition of the air filter before adjusting the idle speed screw. Refer to *Air Filter Maintenance*.



**WARNING:** The cutting attachment may spin during idle speed adjustments. Wear protective clothing and observe all safety instructions to prevent serious personal injury.

## Adjust Idle Speed Screw

If, after checking the fuel and cleaning the air filter, the engine still will not idle, adjust the idle speed screw as follows:

1. Start the engine and let it run at a high idle for a minute to warm up. Refer to *Starting/Stopping Instructions*.
2. Release the throttle trigger and let the engine idle. If the engine stops, insert a small phillips into the hole in the air filter/muffler cover (Fig. 66). Turn the idle speed screw in, **clockwise**, 1/8 of a turn at a time (as needed) until the engine idles smoothly.

**NOTE:** The cutting attachment should not rotate when the engine idles.

3. If the cutting attachment rotates when the engine idles, turn the idle speed screw **counterclockwise** 1/8 of a turn at a time (as needed), to reduce idle speed.

Checking the fuel, cleaning the air filter, and adjusting the idle speed should solve most engine problems. If not and all of the following are true:

- the engine will not idle
- the engine hesitates or stalls on acceleration
- there is a loss of engine power

Have the carburetor adjusted by an authorized service dealer.



**WARNING:** To prevent serious personal injury, make sure the cutting attachment has stopped rotating before you turn it off and set it down.

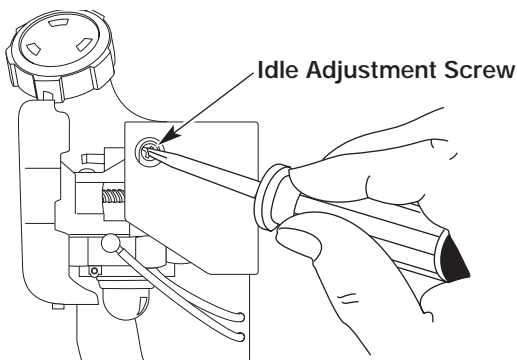


Fig. 66

## ROCKER ARM CLEARANCE

This requires disassembly of the engine. If you feel unsure or unqualified to perform this, take the unit to an authorized service center.

**NOTE:** Inspect the valve to rocker arm clearance with a feeler gauge after the first 10 hours of operation and then every 25 hours of operation thereafter.

- The engine must be cold when checking or adjusting the valve clearance.
  - This task should be performed inside, in a clean, dust free area.
1. Remove the muffler cover by pressing down on it, separating it from the engine cover. Using a flat blade screwdriver, disengage the middle and front tabs and slots first. The cover will hinge off from the rear tab (Fig. 67).

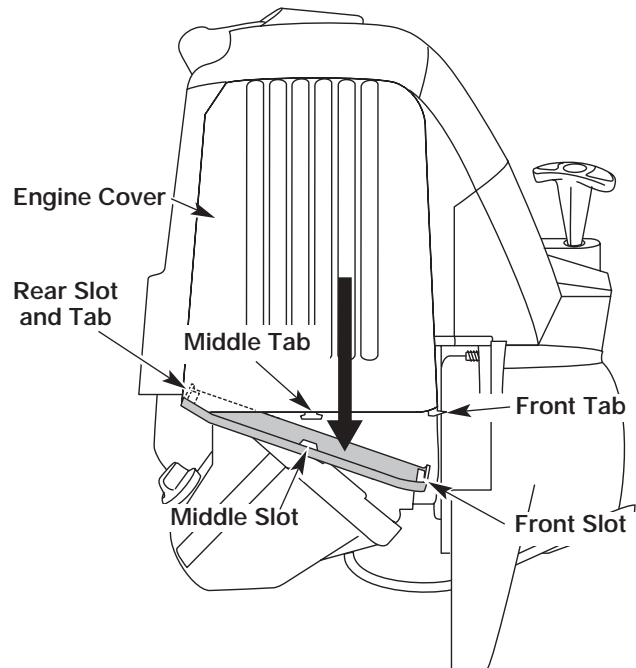


Fig. 67

2. Remove the two (2) screws on top of the engine cover with a Flat-head or T-25 Torx screwdriver (Fig. 68).

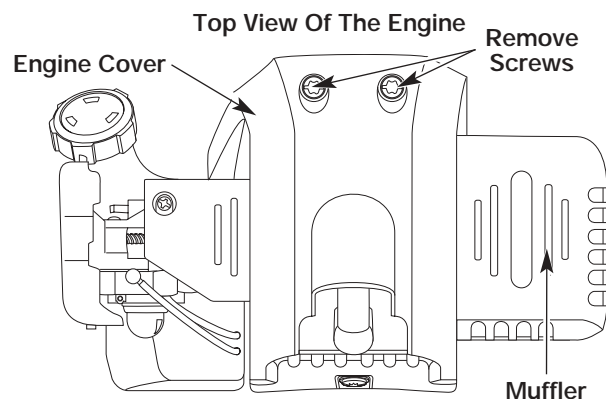


Fig. 68

# MAINTENANCE AND REPAIR INSTRUCTIONS

- Remove the screw behind the engine cover (Fig. 69).

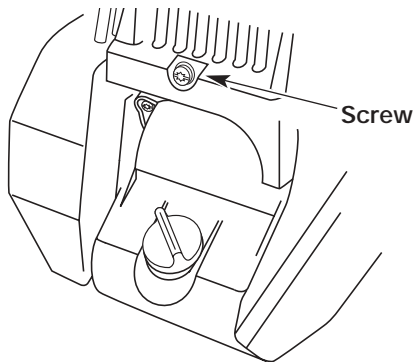


Fig. 69

- Disconnect the spark plug wire.
- Clean dirt from around the spark plug. Remove the spark plug from the cylinder head by turning a 5/8 in. socket counterclockwise.
- Remove the engine cover (Fig. 68).
- Clean dirt from around the rocker arm cover. Remove the screw holding the rocker arm cover with a large flat blade screwdriver or Torx T-25 bit (Fig. 70). Remove the rocker arm cover and gasket.

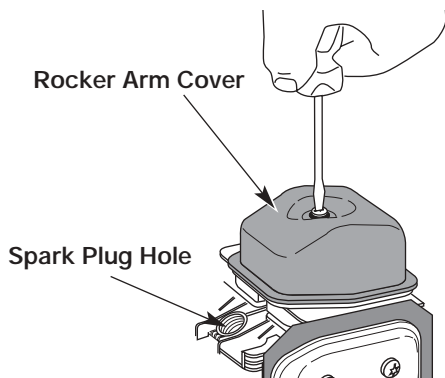


Fig. 70

- Pull the starter rope slowly to bring the piston to the top of its travel, (known as top dead center). Check that:
  - The piston is at the top of its travel while looking in the spark plug hole (Fig. 70)
  - Both rocker arms move freely, and both valves are closed

If these statements are not true, repeat this step.

- Slide the feeler gauge between the rocker arm and the valve return spring. Measure the clearance between the valve stem and rocker arm (Fig. 71). Measure both the intake and exhaust valves.

The recommended clearance for both intake and exhaust is 0.003 – 0.006 in. (0.076 – 0.152 mm). Use a standard automotive 0.005 in. (0.127 mm) feeler gauge. The feeler gauge should slide between the rocker arm and valve stem with a slight amount of resistance, without binding. See Figure 71 and 72.

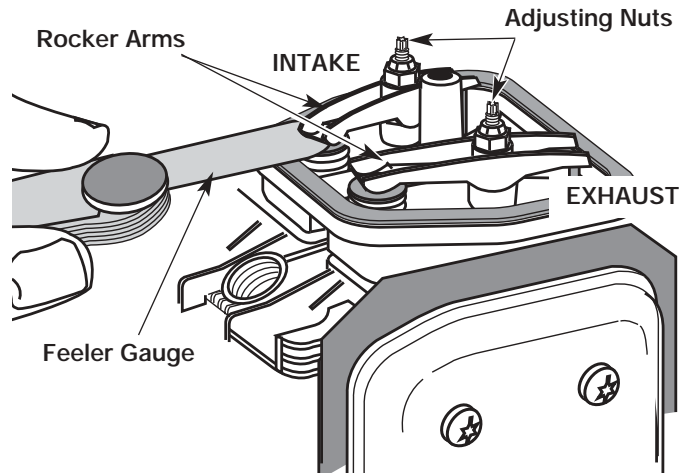


Fig. 71

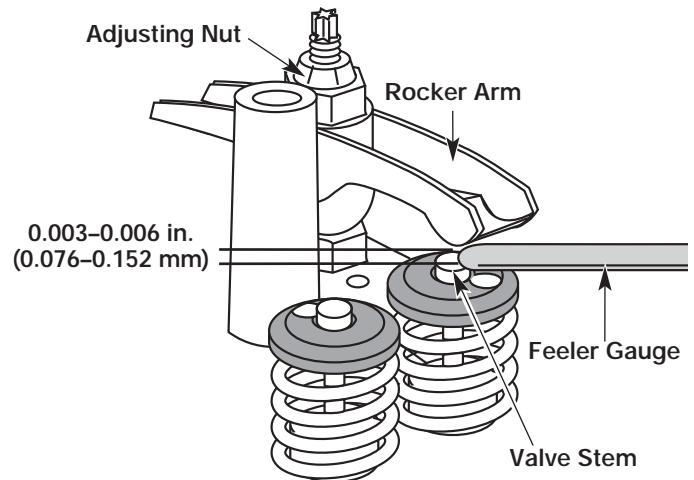


Fig. 72

- If the clearance is not within specification:
  - Turn the adjusting nut using a 5/16 inch (8 mm) wrench or nut driver (Fig. 72).
    - To increase clearance, turn the adjusting nut counterclockwise.
    - To decrease clearance, turn the adjusting nut clockwise.
  - Recheck both clearances, and adjust as necessary.
- Reinstall the rocker arm cover using a new gasket. Torque the screw to 20–30 in·lb (2.2–3.4 N·m).
- Reinstall the engine cover. Check alignment of the cover before tightening the screws. Tighten screws.
- Reinstall the muffler cover. Slip the rear tab on the muffler cover into the engine cover rear slot. Then slide the remaining slots into the tabs until they snap into place (Fig. 67).
- Check the spark plug and reinstall. See *Replacing the Spark Plug*.
- Replace the spark plug wire.

# MAINTENANCE AND REPAIR INSTRUCTIONS

## REPLACING THE SPARK PLUG

Use a replacement part number 180890 spark plug. The correct air gap is 0.025 in. (0.655 mm.). Remove the plug after every 25 hours of operation and check its condition.

1. Stop the engine and allow it to cool. Grasp the plug wire firmly and pull the cap from the spark plug.
2. Clean dirt from around the spark plug. Remove the spark plug from the cylinder head by turning a 5/8 in. socket counterclockwise.
3. Replace cracked, fouled or dirty spark plug. Set the air gap at 0.025 in. (0.655 mm.) using a feeler gauge (Fig. 73).

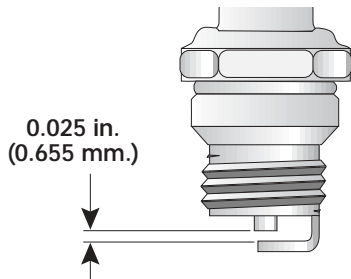


Fig. 73



**WARNING:** Do not sand blast, scrape or clean electrodes. Grit in the engine could damage the cylinder.

4. Install a correctly-gapped spark plug in the cylinder head. Turn the 5/8 in. socket clockwise until snug.

If using a torque wrench torque to:  
**110-120 in.·lb. (12.3-13.5 N·m)**

Do not over tighten.

## SPARK ARRESTOR MAINTENANCE

1. Remove the muffler cover. See *Rocker Arm Clearance*.
2. With a flat blade screwdriver or Torx T-20 bit, remove the screw attaching the spark arrester cover to the muffler (Fig. 74).

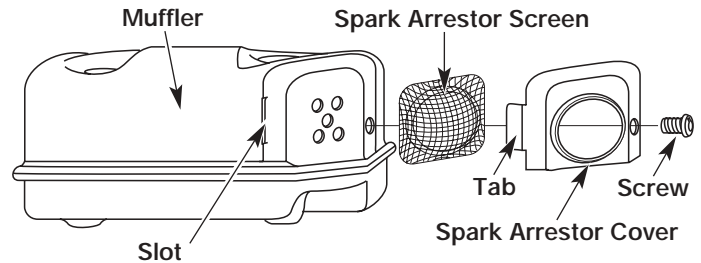


Fig. 74

3. Pull the tab on the spark arrester cover out of the muffler. Remove the spark arrester cover.
4. Remove the spark arrester screen from the spark arrester cover.
5. Clean the spark arrester screen with a wire brush or replace it.
6. Reinstall the spark arrester screen, spark arrester cover and screw.

# MAINTENANCE AND REPAIR INSTRUCTIONS

## CLEANING



**WARNING:** To avoid serious personal injury, always turn your unit off and allow it to cool before you clean or service it.

Use a small brush to clean off the outside of the unit. Do not use strong detergents. Household cleaners that contain aromatic oils such as pine and lemon, and solvents such as kerosene, can damage plastic housing or handle. Wipe off any moisture with a soft cloth.

## STORAGE

- Never store the unit with fuel in the tank where fumes may reach an open flame or spark.
- Allow the engine to cool before storing.
- Lock up the unit to prevent unauthorized use or damage.
- Store the unit in a dry, well-ventilated area.
- Store the unit out of the reach of children.

## LONG TERM STORAGE

1. Drain all gasoline from the gas tank into a container. Do not use gas that has been stored for more than 60 days. Dispose of the old gasoline in accordance to Federal, State, and Local regulations.
2. Start the engine and allow it to run until it stalls. This ensures that all gasoline has been drained from the carburetor.
3. Allow the engine to cool. Remove the spark plug and put 1 oz. (30 ml) of high quality motor oil into the cylinder. Pull the starter rope slowly to distribute the oil. Reinstall the spark plug.

**NOTE:** Remove the spark plug and drain all of the oil from the cylinder before attempting to start the trimmer after storage.

4. Change the oil, referring to *Changing the Oil*. Dispose of the old oil in accordance to Federal, State and Local regulations.
5. Thoroughly clean the unit and inspect for any loose or damaged parts. Repair or replace damaged parts and tighten loose screws, nuts or bolts. The unit is ready for storage.

## TRANSPORTING

- Allow the engine to cool before transporting.
- Secure the unit while transporting.
- Drain the gas tank before transporting.
- Tighten gas cap before transporting.

# TROUBLESHOOTING

## ENGINE WILL NOT START

### CAUSE

On/Off control in the STOP position  
Empty fuel tank  
Primer bulb wasn't pressed enough  
Old fuel  
Fouled spark plug  
Plugged spark arrestor

### ACTION

Turn On/Off control to ON  
Fill fuel tank with new fuel  
Press primer bulb fully and slowly 10 times  
Drain gas tank and add fresh fuel  
Replace or clean the spark plug  
Clean or replace spark arrestor

## ENGINE WILL NOT IDLE

### CAUSE

Air filter is plugged  
Old fuel  
Improper carburetor adjustment

### ACTION

Replace or clean the air filter  
Drain gas tank and add fresh fuel  
Adjust carburetor

## ENGINE WILL NOT ACCELERATE

### CAUSE

Old fuel  
Improper carburetor adjustment  
Cutting attachment bound with grass  
Dirty air filter  
Plugged spark arrestor

### ACTION

Drain gas tank and add fresh fuel  
Take to an authorized service dealer for adjustment  
Stop the engine and clean the cutting attachment  
Clean or replace the air filter  
Clean or replace spark arrestor

## ENGINE LACKS POWER OR STALLS WHEN CUTTING

### CAUSE

Old fuel  
Improper carburetor adjustment  
Fouled spark plug  
Plugged spark arrestor

### ACTION

Drain gas tank and add fresh fuel  
Take to an authorized service dealer for adjustment  
Replace or clean the spark plug  
Clean or replace spark arrestor

## CUTTING ATTACHMENT WILL NOT ADVANCE LINE

### CAUSE

Cutting attachment bound with grass  
Cutting attachment out of line  
Inner reel bound up  
Cutting head dirty  
Line welded  
Line twisted when refilled  
Not enough line is exposed

### ACTION

Stop the engine and clean cutting attachment  
Refill with new line  
Replace the inner reel  
Clean inner reel and outer spool  
Disassemble, remove the welded section and rewind  
Disassemble and rewind the line  
Push the bump knob and pull out line until 4 inches (102 mm) of line is outside of the cutting attachment

## CUTTING LINE ADVANCES UNCONTROLLABLY

### CAUSE

Oil, cleaner or lubricant in cutting head

### ACTION

Clean and thoroughly dry the cutting head

**If further assistance is required, contact your authorized service dealer.**

# SPECIFICATIONS

## ENGINE\*

Engine Type.....	Air-Cooled, 4-Cycle
Displacement.....	1.6 cu. in. (26.2 cc)
Operating RPM.....	7,200+ rpm
Idle Speed RPM.....	2,800 - 3,600 rpm
Ignition Type.....	Electronic
Ignition Switch.....	Rocker Switch
Valve clearance.....	0.003–0.006 in. (0.076–0.152 mm)
Spark Plug Gap.....	0.025 inch (0.655 mm)
Lubrication.....	SAE 30 Oil
Crankcase Oil Capacity.....	3.4 oz (100 ml)
Fuel.....	Unleaded
Carburetor.....	Diaphragm, All-Position
Starter.....	Auto Rewind
Muffler.....	Baffled with Guard
Throttle.....	Manual Spring Return
Fuel Tank Capacity.....	12 oz (355 ml)

## DRIVE SHAFT AND CUTTING ATTACHMENT\*

Throttle Control.....	Finger-Tip Trigger
Approximate Unit Weight (No fuel, with handle, cutting attachment and shield).....	12-13.5 lbs (5.4-6 kg)
Cutting Mechanism.....	Dual String Cutting Head (BL26BC: 4-Tooth Cutting Blade)
Line Spool.....	Bump Line Releaser
Line Spool Diameter.....	3 inches (76.2 mm)
BL26BC Line Spool Diameter.....	4 inches (101.6 mm)
Trimming Line Diameter.....	0.080 inches (2.03 mm)
BL26BC Trimming Line Diameter.....	0.095 inches (2.41 mm)
BL26C0 & BL26SS Cutting Path Diameter.....	17 inches (43.18 cm)
BL26BC Cutting Path Diameter.....	18 inches (45.7 cm)

\*All specifications are based on the latest product information available at the time of printing. We reserve the right to make changes at any time without notice.

## California / EPA Emission Control Warranty Statement

### Your Warranty Rights and Obligations

The California Air Resources Board, the Environmental Protection Agency and MTD LLC (MTD) are pleased to explain the emission control system warranty on your 2000 and later small off-road engine. New small off-road engines must be designed, built and equipped to meet stringent anti-smog standards. MTD must warrant the emission control system on your small off-road engine for the periods of time listed below provided there has been no abuse, neglect or improper maintenance of your small off-road engine.

Your emission control system may include parts such as the carburetor or fuel-injected system, the ignition system, and catalytic converter. Also included may be hoses, belts, connectors and other emission-related assemblies.

Where a warrantable condition exists, MTD will repair your small off-road engine at no cost to you including diagnosis, parts and labor.

The 2000 and later small off-road engines are warranted for two years. If any emission-related part on your engine is defective, the part will be repaired or replaced by MTD.

### Owners Warranty Responsibilities

- As the small off-road engine owner, you are responsible for the performance of the required maintenance listed in your operator's manual. MTD recommends that you retain all receipts covering maintenance on your small off-road engine, but MTD cannot deny warranty solely for the lack of receipts or for your failure to ensure the performance of all scheduled maintenance.
- As the small off-road engine owner, you however should be aware that MTD may deny you warranty coverage if your small off-road engine or a part has failed due to abuse, neglect, improper maintenance or unapproved modifications.
- You are responsible for presenting your small off-road engine to a MTD Authorized Service Center as soon as a problem exists. The warranty repairs should be completed in a reasonable amount of time, not to exceed 30 days.

If you have any questions regarding your warranty rights and responsibilities, you should call 1-800-345-8746.

### Manufacturer's Warranty Coverage

- The warranty period begins on the date the engine or equipment is delivered to the retail purchaser.
- The manufacturer warrants to the initial owner and each subsequent purchaser, that the engine is free from defects in material and workmanship which cause the failure of a warranted part for a period of two years.
- Repair or replacement of warranted part will be performed at no charge to the owner at an Authorized MTD Service Center. For the nearest location please contact MTD at: 1-800-345-8746.
- Any warranted part which is not scheduled for replacement, as required maintenance or which is scheduled for only for regular inspection to the effect of "Repair or Replace as Necessary" is warranted for the warranty period. Any warranted part which is scheduled for replacement as required maintenance will be warranted for the period of time up to the first scheduled replacement point for that part.
- The owner will not be charged for diagnostic labor which leads to the determination that a warranted part is defective, if the diagnostic work is performed at an Authorized MTD Service Center.
- The manufacturer is liable for damages to other engine components caused by the failure of a warranted part still under warranty.
- Failures caused by abuse, neglect or improper maintenance are not covered under warranty.
- The use of add-on or modified parts can be grounds for disallowing a warranty claim. The manufacturer is not liable to cover failures of warranted parts caused by the use of add-on or modified parts.
- In order to file a claim, go to your nearest Authorized MTD Service Center. Warranty services or repairs will be provided at all Authorized MTD Service Centers.
- Any manufacturer approved replacement part may be used in the performance of any warranty maintenance or repair of emission related parts and will be provided without charge to the owner. Any replacement part that is equivalent in performance or durability may be used in non-warranty maintenance or repair and will not reduce the warranty obligations of the manufacturer
- The following components are included in the emission related warranty of the engine, air filter, carburetor, primer, fuel lines, fuel pick up/ fuel filter, ignition module, spark plug and muffler.

## MANUFACTURER'S LIMITED WARRANTY FOR:



The limited warranty set forth below is given by MTD LLC ("MTD") with respect with new merchandise purchased and used in the United States, its possessions and territories.

MTD warrants this product against defects in material and workmanship for a period of two (2) years commencing on the date of original purchase and will, at its option, repair or replace, free of charge, any part found to be defective in material or workmanship. This limited warranty shall only apply if this product has been operated and maintained in accordance with the Operator's Manual furnished with the product, and has not been subject to misuse, abuse, commercial use, neglect, accident, improper maintenance, alteration, vandalism, theft, fire, water or damage because of other peril or natural disaster. Damage resulting from the installation or use of any accessory or attachment not approved by MTD for use with the product(s) covered by this manual will void your warranty as to any resulting damage.

This warranty is limited to ninety (90) days from the date of original retail purchase for any MTD product that is used for rental or commercial purposes, or any other income-producing purpose.

**HOW TO OBTAIN SERVICE:** Warranty service is available, WITH PROOF OF PURCHASE THROUGH YOUR LOCAL AUTHORIZED SERVICE DEALER. To locate the dealer in your area, please check for a listing in the Yellow Pages or contact the Customer Service Department of MTD LLC by calling 1-800-345-8746 or writing to P.O. Box 361131, Cleveland OH 44136-0019 or if in Canada call 1-800-668-1238. No product returned directly to the factory will be accepted unless prior written permission has been extended by the Customer Service Department of MTD LLC.

**This limited warranty does not provide coverage in the following cases:**

- A. Tune-ups - Spark Plugs, Carburetor Adjustments, Filters
- B. Wear items - Bump Knobs, Outer Spools, Cutting Line, Inner Reels, Starter Pulley, Starter Ropes, Drive Belts
- C. MTD does not extend any warranty for products sold or exported outside of the United States of America, its possessions and territories, except those sold through MTD's authorized channels of export distribution.

MTD reserves the right to change or improve the design of any McCulloch Product without assuming any obligation to modify any product previously manufactured.

**No implied warranty, including any implied warranty of merchantability or fitness for a particular purpose, applies after the applicable period of express written warranty above as to the parts as identified. No other express warranty or guaranty, whether written or oral, except as mentioned above, given by any person or entity, including a dealer or retailer, with respect to any product shall bind MTD. During the period of the Warranty, the exclusive remedy is repair or replacement of the product as set forth above.** (Some states do not allow limitations on how long an implied warranty lasts, so the above limitation may not apply to you.)

**The provisions as set forth in this Warranty provide the sole and exclusive remedy arising from the sales. MTD shall not be liable for incidental or consequential loss or damages including, without limitation, expenses incurred for substitute or replacement lawn care services, for transportation or for related expenses, or for rental expenses to temporarily replace a warranted product.** (Some states do not allow limitations on how long an implied warranty lasts, so the above limitation may not apply to you.)

In no event shall recovery of any kind be greater than the amount of the purchase price of the product sold. Alteration of the safety features of the product shall void this Warranty. You assume the risk and liability for loss, damage, or injury to you and your property and/or to others and their property arising out of the use or misuse or inability to use the product.

This limited warranty shall not extend to anyone other than the original purchaser, original lessee or the person for whom it was purchased as a gift.

**How State Law Relates to this Warranty:** This warranty gives you specific legal rights, and you may also have other rights which vary from state to state.

To locate your nearest service dealer dial 1-800-345-8746 in the United States or 1-800-668-1238 in Canada.

**MTD LLC**  
P.O. Box 361131  
Cleveland, OH 44136-0019



# **Bolens**

by **MTD** <sup>®</sup>

## Manuel de L'utilisateur



## **BL26C0, BL26SS, BL26BC** **Désherbeuse à gaz à 4-temps**

**IMPORTANT: LISEZ LES RÈGLES ET CONSIGNES DE SÉCURITÉ SOIGNEUSEMENT**

P/N 769-01703 (2/05)

# INTRODUCTION

## TOUS NOS REMERCIEMENTS

Nous vous remercions d'avoir acheté ce produit de qualité. Cet outil mécanique de plein air moderne est conçu pour vous rendre service pendant longtemps. Il vous sauvera beaucoup de temps comme vous pourrez vous en rendre compte. Ce manuel de l'utilisateur comporte un mode d'emploi facile à comprendre. Prenez soin de lire le manuel au complet et suivez toutes ses instructions à la lettre afin de conserver votre nouvel outil mécanique de plein air en excellent état de fonctionnement.

## RÉFÉRENCES, ILLUSTRATIONS ET SPÉCIFICATIONS RELATIVES AU PRODUIT

Toutes les informations, illustrations et spécifications contenues dans ce manuel tiennent compte des dernières informations techniques disponibles au moment de mettre sous presse. Nous nous réservons le droit d'y apporter des modifications à tout moment, sans préavis.

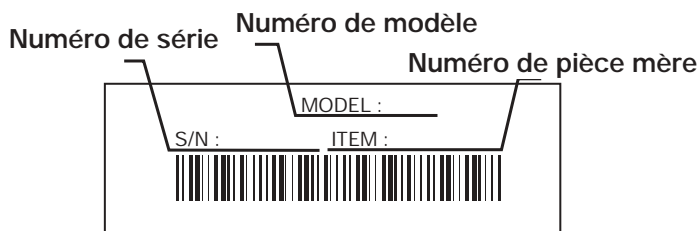
Copyright© 2005 MTD SOUTHWEST INC., Tous droits réservés.

## INFORMATIONS D'ENTRETIEN

Tout entretien effectué sur cet appareil pendant et après la période de garantie doit être fait par un concessionnaire agréé uniquement. Obtenez la liste des concessionnaires agréés appelez le **1-800-345-8746** aux États-Unis, ou le **1-800-668-1238** au Canada.

NE RETOURNEZ PAS L'APPAREIL AU DÉTAILLANT CHEZ QUI VOUS L'AVEZ ACHETÉ. TOUT SERVICE SOUS GARANTIE NÉCESSITE UNE PREUVE D'ACHAT.

Avant d'assembler votre nouvel équipement, repérez la plaque signalétique de l'appareil et copiez ses informations dans l'espace ci-dessous. Ces informations sont essentielles si vous désirez obtenir de l'aide auprès de notre service technique ou d'un distributeur agréé. Un exemple de plaque signalétique est présenté ci-dessous.



Copiez le numéro de modèle / pièce mère ici : \_\_\_\_\_

Copiez le numéro de série ici : \_\_\_\_\_

*Prenez soin de lire et de bien comprendre ce manuel avant de démarrer ou de faire fonctionner cet équipement.*

CE PRODUIT EST COUVERT PAR UN OU PLUSIEURS BREVETS AMÉRICAINS, ET D'AUTRES SONT EN INSTANCE.

## TABLE DES MATIÈRES

Service technique . . . . .	F2
Consignes de sécurité . . . . .	F3
Familiarisez-vous avec votre appareil . . . . .	F7
Instructions de montage . . . . .	F8
Informations sur l'huile et le carburant . . . . .	F11
Instructions de démarrage et d'arrêt . . . . .	F13
Mode d'emploi . . . . .	F14
Entretien et réparations . . . . .	F17
Nettoyage et entreposage . . . . .	F28
Tableau de dépannage . . . . .	F29
Caractéristiques . . . . .	F30
Garantie . . . . .	F32
Liste des pièces . . . . .	E33-E39

## PARE-ÉTINCELLES

**REMARQUE :** à l'intention des utilisateurs opérant dans les terres forestières des États-Unis et dans les états de Californie, du Maine, de l'Orégon et de Washington. Toutes les terres forestières des États-Unis et de l'état de Californie (Codes sur les ressources publiques 4442 et 4443), de l'Orégon et de Washington exigent de par la loi que certains moteurs à combustion interne utilisés dans des zones couvertes de taillis ou d'herbe soient équipés d'un pare-étincelles en parfait état de fonctionnement, ou qu'ils soient conçus, équipés et entretenus pour la prévention des incendies. Renseignez-vous auprès des autorités de votre province ou de votre municipalité concernant la réglementation en vigueur. Vous pourriez être passible d'une amende ou être tenu responsable si vous ne respectez pas cette réglementation. Cet appareil est équipé d'un pare-étincelles en usine. **Si l'écran pare-étincelles, réf. 180890, doit être remplacé, communiquez avec le service technique.**

## AVERTISSEMENT DE LA PROPOSITION 65 DE CALIFORNIE

**! AVERTISSEMENT !**

LES GAZ D'ÉCHAPPEMENT DU MOTEUR DE CET APPAREIL CONTIENNENT DES PRODUITS CHIMIQUES CONSIDÉRÉS PAR L'ÉTAT DE CALIFORNIE COMME POUVANT CAUSER LE CANCER, DES MALFORMATIONS CONGÉNITALES OU D'AUTRES EFFETS NOCIFS SUR L'APPAREIL DE REPRODUCTION.

# CONSIGNES DE SÉCURITÉ

Les symboles de sécurité attirent votre attention sur des dangers potentiels. Ces symboles et leurs détails explicatifs méritent que vous les lisiez et compreniez bien. Les avertissements de sécurité ne peuvent éviter les dangers de par eux-mêmes. Les consignes ou mises en garde qu'ils donnent ne remplacent pas des mesures préventives appropriées contre les accidents.

## SYMBOLE SIGNIFICATION



### ALERTE DE SÉCURITÉ:

indique un danger, un avertissement ou une mise en garde. Soyez vigilant afin d'éviter toute blessure grave. Ce symbole peut être combiné à d'autres symboles ou pictogrammes.

**REMARQUE:** donne des informations ou des instructions vitales pour le fonctionnement ou l'entretien de l'équipement.

Lisez le(s) manuel(s) de l'utilisateur et suivez tous les avertissements et consignes de sécurité. Vous pourriez à défaut entraîner des blessures graves pour vous ou d'autres personnes.

SI VOUS AVEZ DES QUESTIONS, APPELEZ LE  
1-800-345-8746 AUX ÉTATS-UNIS, OU LE  
1-800-668-1238 AU CANADA

## SYMBOLE SIGNIFICATION



**DANGER:** le non-respect d'un avertissement peut causer dommages matériels ou blessures graves pour tous. Respectez les consignes de sécurité afin de réduire les risques d'incendie, d'électrocution et de blessures.



**AVERTISSEMENT:** le non-respect d'un avertissement peut causer dommages matériels ou blessures graves pour tous. Respectez les consignes de sécurité afin de réduire les risques d'incendie, d'électrocution et de blessures.



**MISE EN GARDE:** le non-respect d'un avertissement peut causer dommages matériels ou blessures graves pour tous. Respectez toujours les consignes de sécurité afin de réduire les risques d'incendie, d'électrocution et de blessures.

## • IMPORTANTES CONSIGNES DE SÉCURITÉ •

### LIRE TOUTES LES INSTRUCTIONS AVANT UTILISATION

- Veuillez lire les instructions avec soin. Familiarisez-vous avec les commandes et l'utilisation correcte de cet appareil.
- N'utilisez pas l'appareil si vous êtes fatigué, malade ou sous l'effet de l'alcool, de drogues ou de médicaments.
- Les enfants et adolescents de moins de 15 ans ne doivent pas utiliser l'appareil exceptés les adolescents assistés d'un adulte.
- Inspectez l'appareil avant utilisation. Remplacez les pièces endommagées. Regardez s'il y a des fuites de carburant. Assurez-vous que les fixations sont solidement en place. Remplacez les pièces de l'accessoire de coupe qui sont fendillées, ébréchées ou endommagées. Assurez-vous que l'accessoire de coupe est correctement installé et solidement fixé. Assurez-vous que le protecteur d'accessoire de coupe est correctement fixé et positionné comme recommandé. Vous risquez sinon de causer des blessures à l'opérateur et aux spectateurs, et d'endommager l'appareil.
- N'utilisez que du fil de remplacement d'origine du fabricant de 2,41 mm, 0,095 po (BL26BC) et 2,03 mm, 0,080 po (BL26C0 & BL26SS) de diamètre. N'utilisez jamais de fil, de chaîne ou de cordon à renfort métallique car ils peuvent se briser et se transformer en projectile dangereux.

- Soyez conscient des risques de blessure à la tête, aux mains et aux pieds.
- Dégagez la zone de coupe avant chaque usage. Enlevez tous les objets pouvant être projetés ou happés par l'accessoire de coupe : cailloux, verre brisé, clous, fil ou ficelle. Éloignez enfants, spectateurs et animaux de la zone de coupe. Tenez-les à au moins 15 m (50 pi) de là mais sachez que les spectateurs risquent quand même d'être atteints par des objets projetés. Les spectateurs doivent porter des protections oculaires. Arrêtez immédiatement le moteur et l'accessoire de coupe si quelqu'un s'approche de vous.
- Appuyez sur la manette des gaz et assurez-vous qu'elle revient automatiquement en position de ralenti. Procédez à tous les réglages ou réparations avant d'utiliser l'appareil.

### AVERTISSEMENTS DE SÉCURITÉ CONCERNANT LES DÉSHERBEUSES À GAZ



**AVERTISSEMENT:** l'essence est extrêmement inflammable et ses vapeurs peuvent exploser si on y met le feu. Veuillez prendre les précautions suivantes.

- Ne stockez le carburant que dans des contenants spécialement conçus et homologués pour le stockage de ce type de matières.

# CONSIGNES DE SÉCURITÉ

- Arrêtez toujours le moteur et laissez-le refroidir avant de remplir le réservoir de carburant. N'enlevez jamais le bouchon du réservoir et n'ajoutez jamais de carburant pendant que le moteur est chaud. Ne faites jamais fonctionner l'appareil sans que le bouchon de carburant soit bien mis. Desserrez lentement le bouchon afin de réduire la pression du réservoir.
- Évitez de créer une source d'allumage pour le carburant déversé. Ne démarrez pas le moteur avant que les vapeurs de carburant ne se soient dissipées.
- Ajoutez le carburant dans un endroit bien aéré et propre en plein air à l'abri des étincelles ou des flammes. N'enlevez lentement le bouchon du réservoir d'essence qu'après avoir arrêté le moteur. Ne fumez pas pendant le remplissage de carburant. Essayez immédiatement tout déversement de carburant de l'appareil.
- Éloignez l'appareil d'au moins 9.1 m (30 pi) de la source de ravitaillement en carburant avant de démarrer le moteur. Ne fumez pas et éloignez toute source d'étincelles ou de flammes vives du lieu de ravitaillement ou de fonctionnement de l'appareil.

## PENDANT L'UTILISATION DE L'APPAREIL

- Évitez de démarrer ou de faire marcher l'appareil à l'intérieur d'une pièce ou d'un bâtiment fermé. La respiration de fumées d'échappement peut tuer. Ne faites fonctionner cet appareil qu'à l'extérieur dans un endroit bien aéré.
- Portez des lunettes de sécurité conformes aux normes ANSI Z87.1 ainsi que des protège-oreilles durant l'utilisation de l'appareil. Portez un masque facial ou antipoussières si vous travaillez dans un lieu poussiéreux.
- Portez des pantalons épais et longs, des bottes, des gants et une chemise à manches longues. Ne marchez pas pieds nus et évitez les vêtements lâches, bijoux, pantalons courts et sandales. Relevez les cheveux au-dessus des épaules.
- Le protecteur d'accessoire de coupe doit toujours être en place lors de l'utilisation de l'appareil. Ne faites pas marcher l'appareil sans que les deux fils soient bien déployés, en supposant qu'un fil approprié a été installé. Assurez-vous que le fil ne dépasse pas le protecteur de sécurité.
- Cet appareil est muni d'un embrayage. L'accessoire de coupe reste stationnaire lorsque le moteur est au ralenti. Si ce n'est pas le cas, faites régler l'appareil par un technicien agréé.
- Ajustez la poignée selon votre taille pour mieux l'agripper.
- N'utilisez l'appareil qu'en plein jour ou avec un bon éclairage artificiel.
- Évitez tout démarrage accidentel. Mettez-vous en position de démarrage chaque fois que vous tirez sur la corde de démarrage. L'opérateur et l'appareil doivent tous deux être en position stable à ce moment-là. Voir les Instructions de démarrage et d'arrêt.
- Ne vous étirez pas. Tenez-vous toujours bien sur vos pieds en position d'équilibre.
- Tenez toujours l'appareil des deux mains lorsque vous le faites marcher. Agrippez fermement les poignées avant et arrière.
- Gardez les mains, le visage et les pieds éloignés des pièces mobiles. Ne touchez pas et n'essayez pas d'arrêter l'accessoire de coupe en rotation.
- Ne touchez pas le moteur, le boîtier d'engrenages ni le silencieux. Ces pièces deviennent très chaudes à l'utilisation. Elles restent chaudes brièvement après l'arrêt.
- Servez-vous des outils appropriés. N'utilisez cet outil que pour son usage prévu.
- Ne faites pas fonctionner le moteur à un régime plus élevé que nécessaire pour couper, tailler ou faire les bordures. Ne faites pas tourner le moteur à haut régime si vous ne vous faites pas de coupe.
- Arrêtez toujours le moteur lorsque vous suspendez la coupe ou lorsque vous vous déplacez d'un lieu de travail vers un autre.
- Si vous heurtez un corps étranger ou que celui-ci est happé, arrêtez le moteur immédiatement et vérifiez que rien n'a été endommagé. Ne faites pas fonctionner avant réparation des dommages. Ne faites pas marcher l'appareil si les pièces sont desserrées ou endommagées.
- Arrêtez et éteignez le moteur dans les cas suivants: entretien, réparation ou changement d'accessoires ou autres.
- N'utilisez que des pièces de équipement original rechange et accessoires d'origine du fabricant pour cet appareil. Elles sont disponibles auprès de votre concessionnaire agréé. L'utilisation de pièces ou accessoires autres que ceux de équipement original peut causer des blessures graves, endommager l'appareil et annuler sa garantie.
- Gardez l'appareil exempt d'accumulation de végétation ou autres matières. Celles-ci peuvent rester logées entre l'accessoire de coupe et le protecteur.
- Afin de diminuer les risques d'incendie, remplacez tout silencieux ou pare-étincelles défectueux et conservez le moteur et le silencieux exempts d'herbe, de feuilles et d'accumulation excessive de graisse ou de carbone.

# CONSIGNES DE SÉCURITÉ

## BL26BC SEULEMENT: PENDANT L'UTILISATION DE LA LAME DE COUPE

- Prenez soin de bien lire et comprendre tous les avertissements de sécurité avant de faire fonctionner cet appareil.
- Portez toujours le harnais d'épaule lorsque vous utilisez la lame à broussailles.
- Maintenez toujours la poignée entre l'opérateur et l'accessoire de coupe ou la lame.
- Ne coupez jamais si la lame de coupe est à plus de 76 cm (30 po) au-dessus du sol.
- Lorsque la lame pivotante frappe un objet qu'elle ne peut pas couper, elle donne un coup brusque qui peut pousser violemment l'opérateur et l'appareil vers n'importe quelle direction et faire perdre le contrôle de l'appareil. Ceci peut se produire à l'improviste si la lame s'accroche, cale ou se coince. Cela est plus susceptible de se produire dans les endroits où il est difficile de voir ce que l'on coupe.
- Avec une lame à broussailles, ne coupez rien de plus épais que 1,3 cm (1/2 po) au risque de provoquer un recul violent.
- N'essayez pas de toucher ni d'arrêter la lame pendant qu'elle tourne.
- La lame continue de tourner à vide une fois le moteur éteint ou la manette des gaz relâchée et peut causer des blessures graves. Gardez le contrôle jusqu'à ce qu'elle ait complètement arrêté de tourner.
- Ne faites pas tourner l'appareil à haut régime si vous ne faites pas de coupe.
- Si vous heurtez un corps étranger ou que celui-ci est happé, arrêtez le moteur immédiatement et vérifiez que rien n'a été endommagé. Réparez tout dommage éventuel avant de poursuivre le travail. N'utilisez pas l'appareil si la lame est tordue, fendillée ou émoussée. Jetez toute lame tordue, fendillée ou émoussée.
- N'aiguissez pas la lame de coupe car son extrémité risquerait de casser à l'usage et causer des blessures graves. Remplacez-la plutôt.

- Arrêtez le moteur IMMÉDIATEMENT si vous ressentez une vibration excessive car cela indique un problème. Vérifiez soigneusement qu'il n'y a ni écrous ni boulons desserrés, ni aucun dommage avant de continuer. Réparez ou remplacez les pièces affectées au besoin.
- Nettoyez la lame de coupe avec un nettoyeur ménager pour éliminer toute accumulation de gomme. Lubrifiez la lame avec de l'huile mécanique contre la rouille.
- Verrouillez et rangez la lame de coupe dans un lieu approprié pour éviter toute utilisation indésirable ou des dommages.

## AUTRES AVERTISSEMENTS DE SÉCURITÉ

- N'entreposez jamais l'appareil rempli de carburant dans un édifice où les vapeurs peuvent atteindre une source de flammes vives ou d'étincelles.
- Laissez le moteur se refroidir avant de l'entreposer ou de le transporter. Attachez bien l'appareil pendant le transport.
- Rangez l'appareil dans un endroit verrouillé et sec, ou élevé et sec, hors de portée des enfants, pour éviter une utilisation indésirable ou un accident.
- Ne trempez et n'arrosez jamais l'appareil avec de l'eau ou tout autre liquide. Gardez les poignées sèches, propres et exemptes de débris. Nettoyez après chaque usage. Voir les sections *Nettoyage* et *Entreposage*.
- Conservez ces instructions. Consultez-les souvent et servez-vous en pour instruire d'autres usagers. Si vous prêtez l'appareil à quelqu'un, prêtez-lui également ces instructions.

## CONSERVER CES INSTRUCTIONS

# CONSIGNES DE SÉCURITÉ

## SYMBOLES DE SÉCURITÉ ET INTERNATIONAUX

Ce manuel de l'utilisateur décrit les symboles et pictogrammes de sécurité et internationaux pouvant apparaître sur ce produit. Consultez le manuel de l'utilisateur pour les informations concernant la sécurité, le montage, le fonctionnement, l'entretien et les réparations.

SYMBOLE	SIGNIFICATION	SYMBOLE	SIGNIFICATION
	<ul style="list-style-type: none"> <li>• <b>SYMBOLE ALERTE DE SÉCURITÉ</b></li> </ul> <p>Indique un danger, un avertissement ou une mise en garde. Ce symbole peut être combiné à d'autres symboles ou pictogrammes.</p>		<ul style="list-style-type: none"> <li>• <b>COMMANDE MARCHÉ/ARRÊT</b></li> </ul> <p>ALLUMAGE / DÉMARRAGE / MARCHÉ</p>
	<ul style="list-style-type: none"> <li>• <b>AVERTISSEMENT - LISEZ LE MANUEL DE L'UTILISATEUR</b></li> </ul> <p>Lisez le manuel de l'utilisateur et suivez tous les avertissements et consignes de sécurité. Vous pourriez à défaut entraîner des blessures graves pour vous ou d'autres personnes.</p>		<ul style="list-style-type: none"> <li>• <b>COMMANDE MARCHÉ/ARRÊT</b></li> </ul> <p>ARRÊT ou STOP</p>
	<ul style="list-style-type: none"> <li>• <b>PORTEZ DES PROTECTIONS (YEUX ET OREILLES)</b></li> </ul> <p><b>AVERTISSEMENT:</b> les objets projetés et les bruits forts peuvent endommager la vue et l'ouïe. Portez une visière de norme ANSI Z87.1-1989 et des protège-oreilles pendant l'utilisation.</p>		<ul style="list-style-type: none"> <li>• <b>AVERTISSEMENT SURFACE CHAUDE</b></li> </ul> <p>Ne touchez pas un silencieux ou un cylindre chaud. Vous pourriez vous brûler. Ces pièces deviennent très chaudes à l'utilisation. Elles restent chaudes brièvement après l'arrêt.</p>
	<ul style="list-style-type: none"> <li>• <b>ÉLOIGNEZ LES SPECTATEURS</b></li> </ul> <p><b>AVERTISSEMENT:</b> éloignez tout spectateur, les enfants et les animaux domestiques en particulier, d'au moins 15 m (50 pi) de la zone de coupe.</p>		<ul style="list-style-type: none"> <li>• <b>ETRANGLEUR</b></li> </ul> <p>1 • Position d'étranglement <b>MAXIMUM</b> 2 • Position d'étranglement <b>PARTIEL</b> 3 • Position de <b>MARCHÉ</b></p>
	<ul style="list-style-type: none"> <li>• <b>CARBURANT SANS PLOMB</b></li> </ul> <p>Utilisez toujours du carburant sans plomb frais et propre.</p>		<ul style="list-style-type: none"> <li>• <b>LAME AIGUISÉE</b></li> </ul> <p><b>AVERTISSEMENT:</b> le protecteur d'accessoire de coupe comporte une lame aiguisée. Ne touchez pas la lame pour éviter des blessures graves.</p>
	<ul style="list-style-type: none"> <li>• <b>NIVEAU D'HUILE</b></li> </ul> <p>Voir le manuel de l'utilisateur pour le type d'huile approprié.</p>		<ul style="list-style-type: none"> <li>• <b>BL26BC SEULEMENT : DÉBROUSSAILLEUSES</b></li> </ul> <p>remplacez la lame émoussée.</p> <p>N'aiguissez pas la lame de coupe car son extrémité risquerait de casser à l'usage et causer des blessures graves.</p>
	<ul style="list-style-type: none"> <li>• <b>LES OBJETS PROJETÉS ET LA TÊTE ROTATIVE PEUVENT CAUSER DES BLESSURES GRAVES</b></li> </ul> <p><b>AVERTISSEMENT:</b> ne faites pas fonctionner sans protecteur de sécurité en plastique. Tenez-vous à l'écart de l'accessoire de coupe rotatif.</p>		<ul style="list-style-type: none"> <li>• <b>BL26BC SEULEMENT : DÉSHERBEUSE/ DÉBROUSSAILLEUSE SÉCURITÉ</b></li> </ul> <p><b>AVERTISSEMENT :</b> les objets projetés et la tête coupante rotative peuvent causer des blessures graves. Éloignez les spectateurs, les enfants et les animaux domestiques en particulier, d'au moins 15 m (50 pieds) de la zone de coupe. Vous devez utiliser le protecteur d'accessoire de coupe lorsque vous vous servez de l'accessoire de coupe de la désherbeuse.</p>

# FAMILIARISEZ-VOUS AVEC L'APPAREIL

## APPLICATIONS

Utilisation comme désherbeuse :

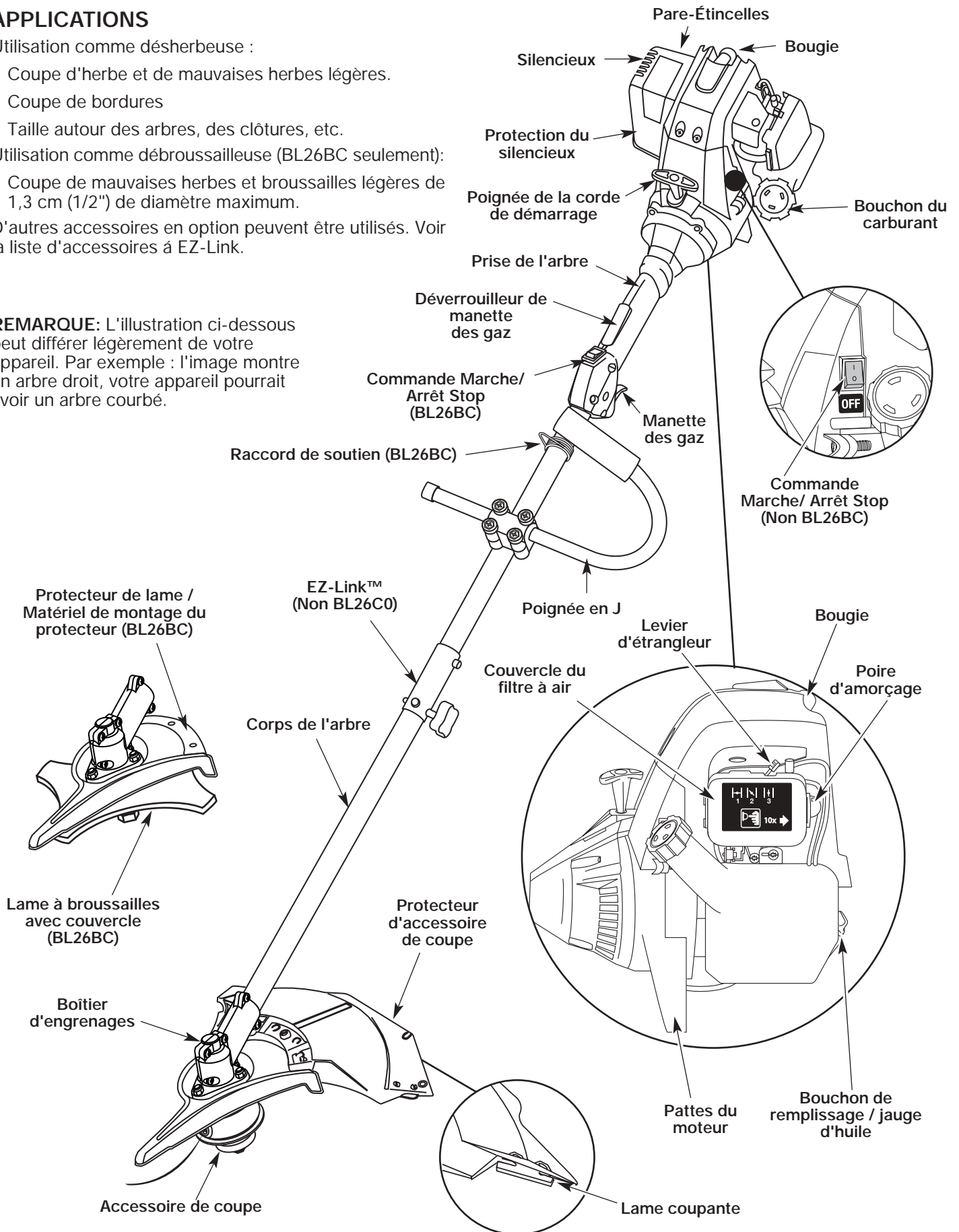
- Coupe d'herbe et de mauvaises herbes légères.
- Coupe de bordures
- Taille autour des arbres, des clôtures, etc.

Utilisation comme débroussailluse (BL26BC seulement):

- Coupe de mauvaises herbes et broussailles légères de 1,3 cm (1/2") de diamètre maximum.

D'autres accessoires en option peuvent être utilisés. Voir la liste d'accessoires à EZ-Link.

**REMARQUE:** L'illustration ci-dessous peut différer légèrement de votre appareil. Par exemple : l'image montre un arbre droit, votre appareil pourrait avoir un arbre courbé.



# INSTRUCTIONS DE MONTAGE

## INSTALLATION ET RÉGLAGE DE LA POIGNÉE EN J

1. Placez la poignée en J entre les brides supérieure et médiane (Fig. 2).

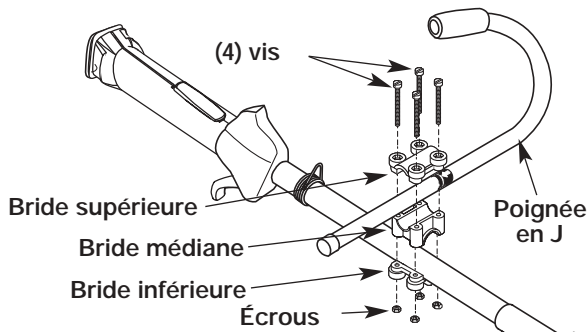


Fig. 1

2. Maintenez les trois pièces ensemble et introduisez les quatre (4) vis dans les brides supérieure et médiane.

**REMARQUE:** les trous des brides supérieure et médiane ne sont alignés que si l'assemblage est correct.

3. Placez les brides et la poignée en J sur le corps de l'arbre et sur la bride inférieure.
4. Tenez d'un doigt chaque écrou hex dans le renforcement de la bride inférieure. Commencez à visser à l'aide d'un grand tournevis à embout cruciforme. Ne serrez pas avant de régler le guidon.
5. Glissez la poignée en J en un mouvement de va-et-vient jusqu'à ce que la flèche/ligne blanche de l'autocollant touche la bride (Fig. 2).

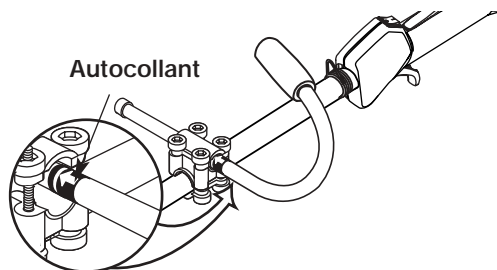


Fig. 2

6. Tenez l'appareil en position d'utilisation (Fig. 26), puis positionnez la poignée en J de manière à assurer une prise idéale.
7. Serrez les vis des brides uniformément jusqu'à bien fixer la poignée.

## BL26C0: INSTALLATION DU PROTECTEUR D'ACCESSOIRE DE COUPE

Suivez les instructions suivantes si le protecteur d'accessoire de coupe n'est pas installé sur l'appareil.



**AVERTISSEMENT:** n'utilisez jamais la désherbeuse sans protecteur d'accessoire de coupe pour éviter des blessures graves.

1. Placez le protecteur d'accessoire de coupe sur le corps de l'arbre au-dessus de l'ensemble de bride (Fig. 3).
2. Enfoncez le protecteur d'accessoire de coupe sur le haut de l'accessoire de coupe puis tournez-le jusqu'à ce que les trous à vis soient alignés et que le protecteur s'emboîte dans la poche encastrée (Fig. 3).
3. Installez les quatre (3) vis à l'aide d'un tournevis à empreinte cruciforme (Fig. 4).

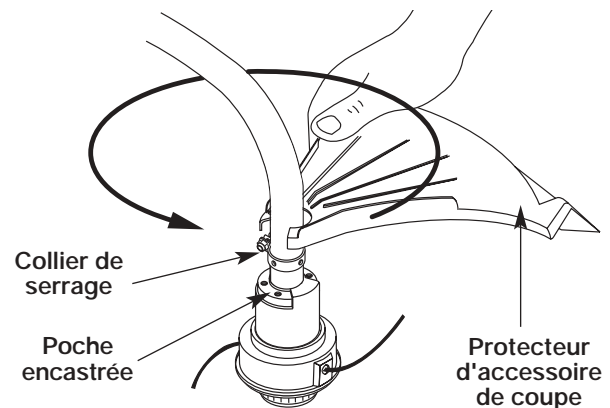


Fig. 3

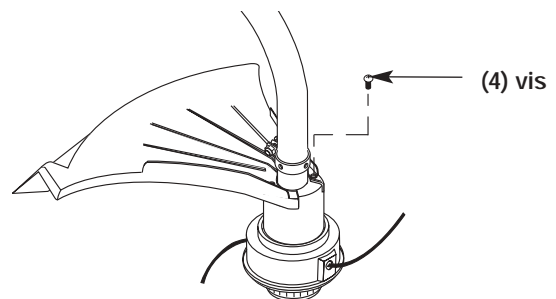


Fig. 4



# INSTRUCTIONS DE MONTAGE

## BL26BC: INSTALLER LE HARNAIS



**AVERTISSEMENT:** portez toujours le harnais d'épaule lorsque vous utilisez la lame de coupe afin d'éviter de vous blesser.

1. Faites passer la bandoulière au centre de la boucle.
2. Tirez la bandoulière par-dessus la traverse et à travers la fente de la boucle (Fig. 5).
3. Passez le harnais par-dessus la tête puis sur l'épaule. Accrochez-le au raccord de soutien (Fig. 5).
4. Réglez la longueur en fonction de la taille de l'opérateur. Tirez la languette pour rallonger ou tirez la bande pour raccourcir (Fig. 6).

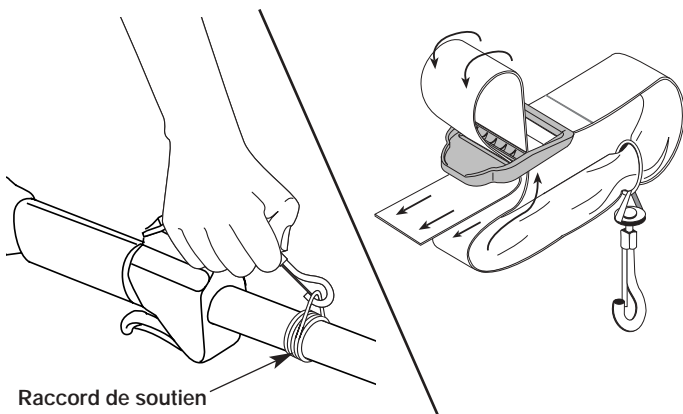


Fig. 5

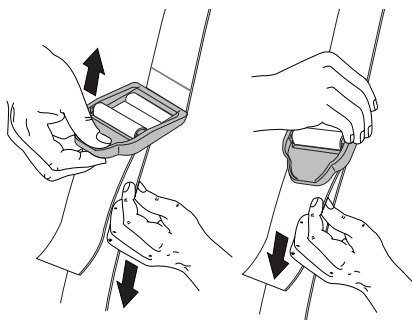


Fig. 6

## BL26BC: RETRAIT ET INSTALLATION DU PROTECTEUR D'ACCESSOIRE DE COUPE

Enlevez le protecteur d'accessoire de coupe lorsque vous vous servez de l'appareil comme débroussailleuse.



**AVERTISSEMENT:** n'installez PAS le protecteur d'accessoire de coupe si vous utilisez l'appareil avec une lame. Enlevez le protecteur avant d'enlever ou d'installer la lame.

Retirez le protecteur d'accessoire de coupe de son support en enlevant les trois vis à l'aide d'un tournevis à tête plate (Fig. 7). Rangez les pièces pour un usage ultérieur.

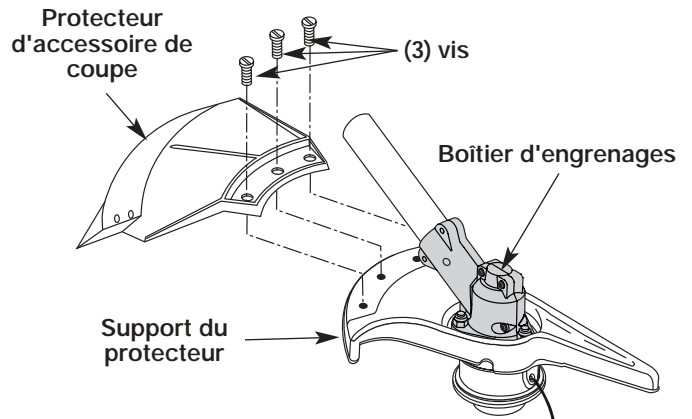


Fig. 7

Installez le protecteur d'accessoire de coupe lorsque vous vous servez de l'appareil comme désherbeuse.



**AVERTISSEMENT:** pour éviter des blessures graves, le protecteur d'accessoire de coupe DOIT toujours être installé lorsque vous vous servez de l'appareil comme désherbeuse.

Installez le protecteur d'accessoire de coupe sur son support en insérant les trois vis dans le support. Serrez fermement avec un tournevis à tête plate (Fig. 7).

## RETIRER L'ACCESSOIRE DE COUPE ET INSTALLER LA LAME DE COUPE

**REMARQUE :** pour faciliter le retrait ou l'installation de la lame ou de l'accessoire de coupe, placez l'appareil au sol ou sur un établi.

### Retrait du protecteur d'accessoire de coupe



**AVERTISSEMENT:** fle boîtier d'engrenages chauffe à l'usage et peut blesser l'opérateur. Il reste chaud brièvement après l'arrêt. Ne le touchez pas tant qu'il n'a pas refroidi.

Voir *Retrait et installation du protecteur d'accessoire de coupe*.

### Retirer l'accessoire de coupe

1. Alignez le trou de la bague de l'arbre avec la fente de la tige de blocage, puis insérez la tige dans le trou de la bague (Fig. 8).

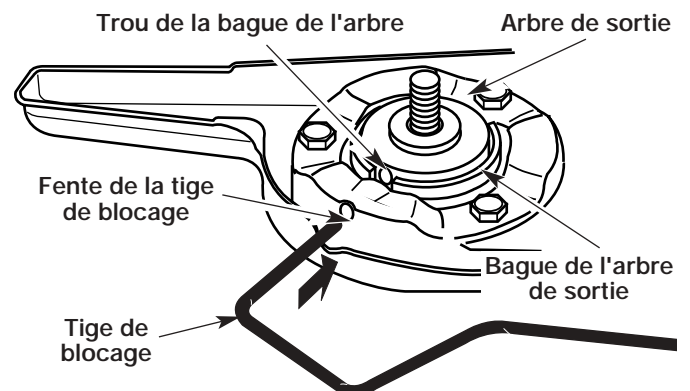


Fig. 8

# INSTRUCTIONS DE MONTAGE

- Maintenez la tige de blocage en place en la saisissant près du bras de l'appareil (Fig. 9).
- Tout en tenant la tige de blocage, retirez l'accessoire de coupe de l'arbre de sortie en le tournant à droite (Fig. 10). Rangez l'accessoire de coupe pour un usage ultérieur.

**REMARQUE :** la retenue de la lame sous l'accessoire de coupe servira au moment de l'installation de la lame de coupe.

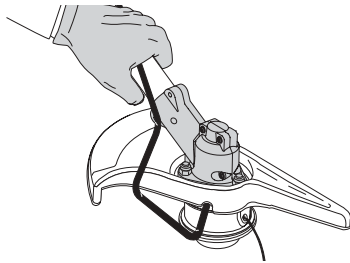


Fig. 9

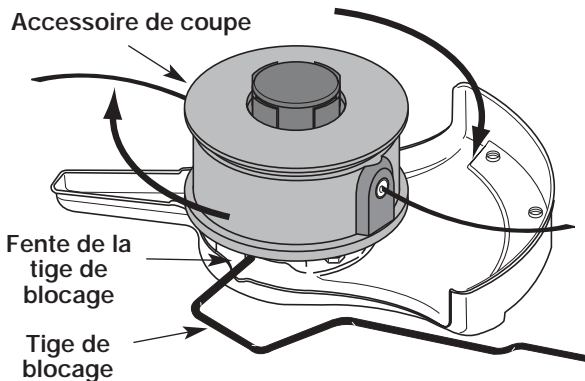


Fig. 10

## Installer la lame de coupe



**AVERTISSEMENT:** pour éviter des blessures graves, portez toujours des gants lorsque vous manipulez ou installez la lame.

- Placez la lame de coupe sur la bague de l'arbre de sortie (Fig. 11).

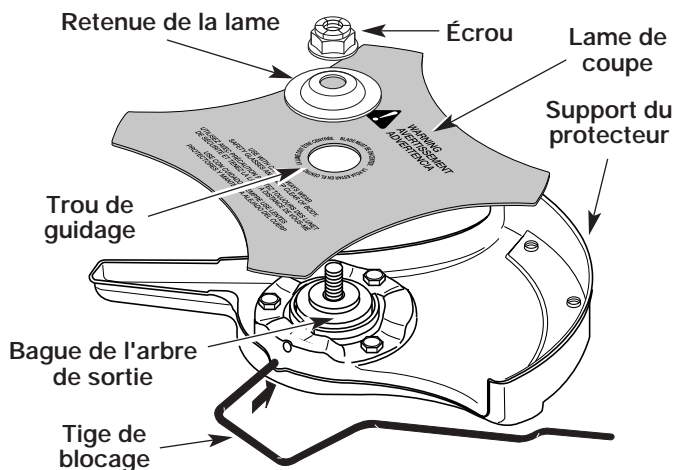


Fig. 11

- Assurez-vous que la lame de coupe est centrée sur le pas de guidage et qu'elle repose à plat contre la bague de l'arbre de sortie (Fig. 12).



**AVERTISSEMENT:** si la lame de coupe est décentrée, l'appareil vibrera et la lame pourrait s'envoler, ce qui causerait des blessures graves.

Pas de guidage

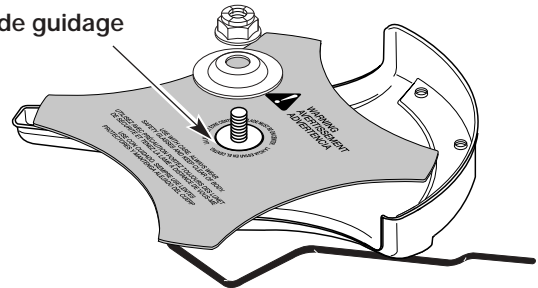


Fig. 12

- Alignez le trou de la bague de l'arbre avec la fente de la tige de blocage, puis insérez la tige dans le trou (Fig. 8).
- Placez la retenue et l'écrou de la lame sur l'arbre de sortie. Assurez-vous que la lame est bien mise.
- Vissez l'écrou vers la gauche contre la lame tout en tenant la tige de blocage :
  - Si vous utilisez une clé dynamométrique et une douille de 5/8 po, vissez selon les valeurs de couple suivantes: **325 - 335 po•lb, 27 - 28 pi•lb, 37 - 38 N•m.**
  - Si vous n'avez pas de clé dynamométrique, utilisez une clé fermée ou à douille de 5/8 po et tournez l'écrou jusqu'à ce que la retenue soit bien ajustée contre la bague de l'arbre. Assurez-vous que la lame est bien mise, puis donnez à l'écrou entre 1/4 et 1/2 tour supplémentaire à gauche (Fig. 13).

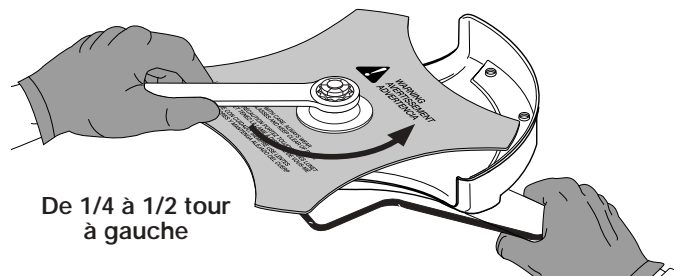


Fig. 13

- Retirez la tige de blocage de sa fente.



**AVERTISSEMENT:** pour éviter des blessures graves et ne pas endommager l'appareil, ne le faites pas marcher avec la tige de blocage dans sa fente.



**AVERTISSEMENT:** n'aiguisiez pas la lame de coupe : son extrémité pourrait casser à l'usage et causer des blessures graves. Remplacez-la plutôt.

# INFORMATIONS SUR L'HUILE ET LE CARBURANT

## RETIRER LA LAME DE COUPE ET INSTALLER L'ACCESSOIRE DE COUPE

Retirer la lame de coupe



**AVERTISSEMENT:** pour éviter des blessures graves, portez toujours des gants lorsque vous manipulez ou installez la lame.

1. Alignez le trou de la bague de l'arbre avec la fente de la tige de blocage, puis insérez la tige dans le trou.
2. Maintenez la tige de blocage en place en la saisissant près du bras de l'appareil (Fig. 14).
3. Tenez la tige de blocage et desserrez l'écrou de la lame en le tournant à droite avec une clé fermée ou à douille de 5/8 pouce (Fig. 14).

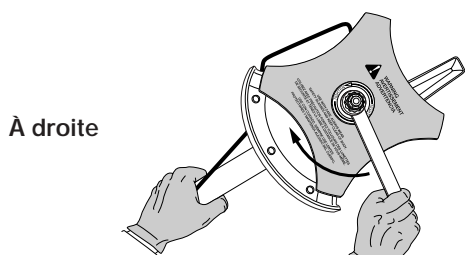


Fig. 14

4. Retirez l'écrou, la retenue de lame et la lame. Rangez l'écrou et la lame ensemble en lieu sûr pour un usage ultérieur. Gardez hors de portée des enfants.

### Installer l'accessoire de coupe

5. Alignez le trou de la bague de l'arbre avec la fente de la tige de blocage, puis insérez la tige dans le trou. (Fig. 8). Placez la retenue de lame sur l'arbre de sortie, la partie plate reposant contre la bague de l'arbre tel qu'indiqué sur la Fig. 15. Vissez l'accessoire de coupe à gauche sur l'arbre. Vissez bien.

**REMARQUE :** la retenue de la lame doit être installée sur l'arbre de sortie dans la position indiquée pour que l'accessoire de coupe fonctionne correctement.

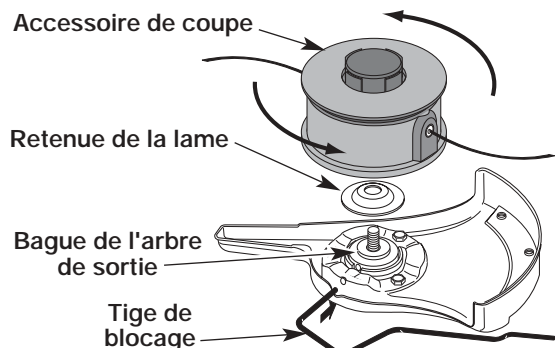


Fig. 15

6. Retirez la tige de blocage.
7. Installez le protecteur d'accessoire de coupe. Voir *Retrait et installation du protecteur d'accessoire de coupe*.



**AVERTISSEMENT:** pour éviter des blessures graves, le protecteur d'accessoire de coupe DOIT toujours être installé lorsque vous vous servez de l'appareil comme désherbeuse.



**DANGER:** LE REMPLISSAGE EXCESSIF DU CARTER-MOTEUR PEUT ANTRAÎNER DES BLESSURES GRAVES. Nous ne saurions trop insister sur l'importance de la vérification du niveau d'huile du carter-moteur et de son maintien. Vérifiez l'huile avant chaque utilisation et changez-la au besoin tel qu'indiqué dans la section *Changement d'huile*.

### TYPE D'HUILE RECOMMANDÉ

Il est extrêmement important d'utiliser les bons type et indice d'huile dans le carter-moteur. Vérifiez l'huile avant chaque utilisation et changez-la périodiquement. Le fait de ne pas utiliser la bonne huile ou d'utiliser une huile sale peut entraîner une usure et une défaillance prématurées du moteur.

Utilisez une huile de haute qualité à indice SAE 30 API (American Petroleum Institute) de type SG, SF, SH.

### AJOUT D'HUILE AU CARTER: MISE EN SERVICE

**REMARQUE:** cet appareil est livré sans huile. Pour éviter d'endommager l'appareil, mettez de l'huile dans le carter moteur avant le démarrage.

Votre appareil est livré avec une bouteille d'huile SAE 30 SF, SG, SH de 100 ml (3,4 oz) (Fig. 16).

**REMARQUE :** conservez la bouteille pour mesurer correctement la quantité nécessaire d'huile plus tard. Voir *Changement d'huile*.

1. Dévisser le bouchon de la bouteille d'huile et retirez le papier couvrant l'ouverture. Remplacez le bouchon. Coupez la pointe de la buse de l'entonnoir (Fig. 16).

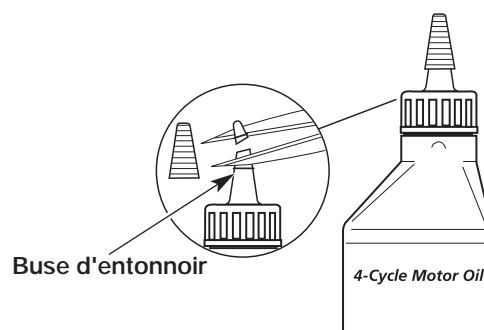


Fig. 16

2. Placez l'appareil sur une surface horizontale plane.
3. Retirez le bouchon / la jauge d'huile du carter-moteur. Versez tout le contenu de la bouteille d'huile dans le carter-moteur (Fig. 17).

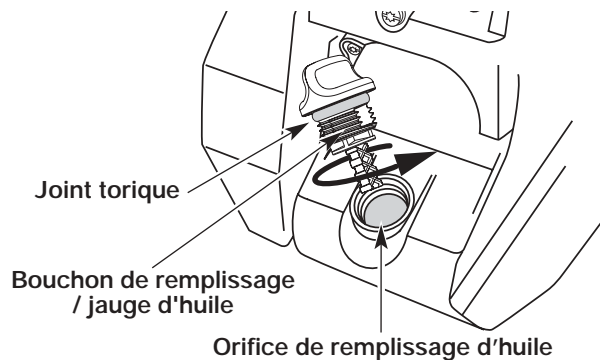


Fig. 17

# INFORMATIONS SUR L'HUILE ET LE CARBURANT

4. Versez tout le contenu de la bouteille d'huile dans le carter-moteur (Fig. 18).

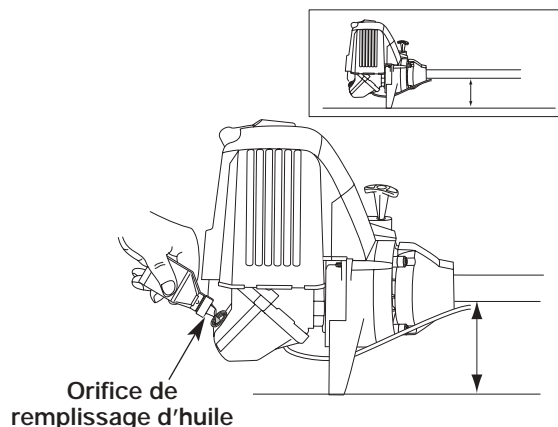


Fig. 18

**REMARQUE:** n'ajoutez jamais d'huile au carburant ni au réservoir de carburant.

5. Essuyez toute trace d'huile déversée et remplacez le bouchon de remplissage / la jauge.

Nous ne saurions trop insister sur l'importance de la vérification du niveau d'huile du carter-moteur et de son maintien. Vérifiez l'huile avant chaque utilisation et changez-la au besoin tel qu'indiqué dans la section *Changement d'Huile*.

## TYPE DE CARBURANT RECOMMANDÉ

En général, si l'appareil ne fonctionne pas correctement, c'est que le carburant est vieux ou mal mélangé. Prenez soin d'utiliser du carburant sans plomb frais et propre.

**REMARQUE :** ceci est un moteur à quatre temps. Pour éviter d'endommager l'appareil, **ne mélangez pas l'huile avec l'essence.**

## Définition des carburants mélangés

Les carburants d'aujourd'hui sont souvent un mélange d'essence et d'oxygénés comme l'éthanol, le méthanol ou l'éther MTBE. Un carburant mélangé à l'alcool absorbe l'eau. Il suffit de 1% d'eau pour séparer le carburant et l'huile, ce qui forme de l'acide pendant l'entreposage. Si vous devez utiliser ce type de carburant, servez-vous de carburant frais (moins de 60 jours).

## Usage de carburants mélangés

Si vous choisissez d'utiliser ou ne pouvez éviter d'utiliser un carburant mélangé, suivez les conseils suivants :

- Utilisez toujours un mélange de carburant frais selon le manuel de l'utilisateur.
- Utilisez l'additif STA-BIL<sup>MD</sup> ou un produit équivalent.
- Agitez toujours le mélange de carburant avant d'alimenter l'appareil.
- Videz le réservoir et faites marcher le moteur jusqu'à ce qu'il soit à sec avant d'entreposer l'appareil.

## Utilisation d'additifs de carburant

L'utilisation d'additifs de carburant tel que le stabilisant d'essence STA-BIL<sup>MD</sup> ou un produit équivalent permet d'empêcher la corrosion et de minimiser la formation de résidus de gomme. L'usage d'additifs peut empêcher le carburant de former des dépôts nocifs dans le carburateur pendant six (6) mois maximum. Ajoutez 23

ml (0,8 oz) d'additif par 4 litres (1 gallon) de carburant selon les instructions du récipient. N'ajoutez JAMAIS d'additifs directement dans le réservoir de l'appareil.

## AJOUT DE CARBURANT



**AVERTISSEMENT:** L'essence est extrêmement inflammable et les vapeurs qui s'en dégagent peuvent exploser si on y met le feu. Arrêtez toujours le moteur et laissez-le refroidir avant de remplir le réservoir. Ne fumez pas en remplissant le réservoir. Éloignez toute source d'étincelles ou de flammes vives de la zone.

1. Déposez le bouchon à essence (Fig. 19).



**AVERTISSEMENT:** Enlevez le bouchon du réservoir lentement pour ne pas être blessé par les jets d'essence. Ne faites pas marcher l'appareil sans que le bouchon soit bien mis.

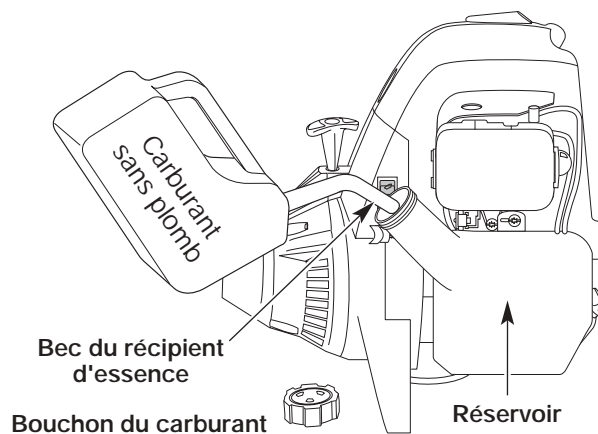


Fig. 19

2. Placez le bec du récipient d'essence dans l'orifice du réservoir (Fig. 19) et remplissez celui-ci.



**AVERTISSEMENT:** Ajoutez du carburant dans un lieu propre et bien aéré en plein air. Essuyez immédiatement tout déversement de carburant. Évitez de mettre le feu au carburant déversé. Ne démarrez pas le moteur avant dissipation des vapeurs de carburant.

**REMARQUE :** Ne remplissez pas trop le réservoir.

3. Essuyez tout déversement d'essence.
4. Remettez le bouchon du réservoir.
5. Éloignez l'appareil d'au moins 9,1 m (30 pi) de la source et du site de ravitaillement en carburant avant de démarrer le moteur.

**REMARQUE :** Éliminez le vieux carburant conformément aux règlements fédéral, provincial et municipal en vigueur.

# INSTRUCTIONS DE DÉMARRAGE ET ARRÊT



**AVERTISSEMENT:** n'utiliser l'outil qu'à l'extérieur, dans un endroit bien aéré. Les émanations d'oxyde de carbone dans un endroit confiné peuvent être mortelles.



**AVERTISSEMENT:** évitez tout démarrage accidentel. Tenez-vous en position de démarrage lorsque vous tirez sur la corde de démarrage (Fig. 22). L'opérateur et l'appareil doivent tous deux être en position stable pour éviter des blessures graves.

Vérifiez la bonne installation de l'accessoire avant le démarrage de l'appareil.

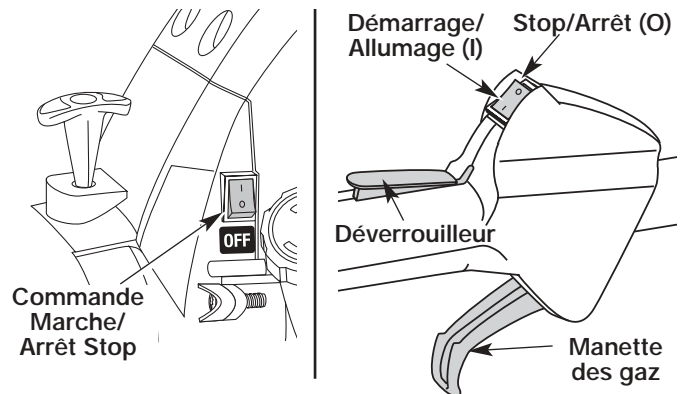


Fig. 20

## INSTRUCTIONS DE DÉMARRAGE

1. Vérifiez le niveau d'huile dans le carter moteur. Voir *Vérification du niveau d'huile*.
2. Remplissez le réservoir d'essence sans plomb propre et frais. Voir *Ajout de Carburant*.
3. Mettez la commande Marche/Arrêt Stop en position MARCHE (I) (Fig. 20).
4. Pressez et relâchez la poire d'amorçage à 10 reprises, lentement. Une certaine quantité de carburant devrait être visible dans la poire d'amorçage et les conduites de carburant (Fig. 21). Si vous n'apercevez pas de carburant dans la poire, pressez et relâchez la poire autant de fois que nécessaire jusqu'à ce que vous aperceviez du carburant dans cette dernière.
5. Mettez le levier d'étrangleur en Position 1 (Fig. 21).
6. Levez-vous en position de démarrage (Fig. 22) et appuyez sur la manette des gaz. Tirez sèchement sur le cordon de démarrage jusqu'à 5 fois.
7. Mettez le levier d'étrangleur en Position 2.
8. Tandis que vous appuyez sur la manette des gaz, tirez brusquement sur la corde de démarrage 1 à 3 fois pour démarrer le moteur.
9. Maintenez la manette des gaz enfoncée et laissez le moteur chauffer pendant 15 à 30 secondes.
10. Mettez le levier d'étrangleur en Position 3. La machine est prête à être utilisée.

**SI...** Le moteur ne démarre pas, retournez à l'étape 4.

**SI...** Le moteur ne démarre pas après quelques tentatives, placez l'étrangleur en Position 3 et appuyez sur la manette des gaz. Tirez fermement sur le cordon de démarrage entre 3 et 8 fois. Le moteur devrait démarrer. S'il ne démarre pas, recommencez.

**SI CHAUD...** Le moteur est déjà chaud, assurez-vous que l'interrupteur Marche/Arrêt Stop est en position ON et démarrez la machine avec le levier d'étranglement en Position 2. Après que la machine ait démarré, mettez le levier d'étranglement en Position 3.

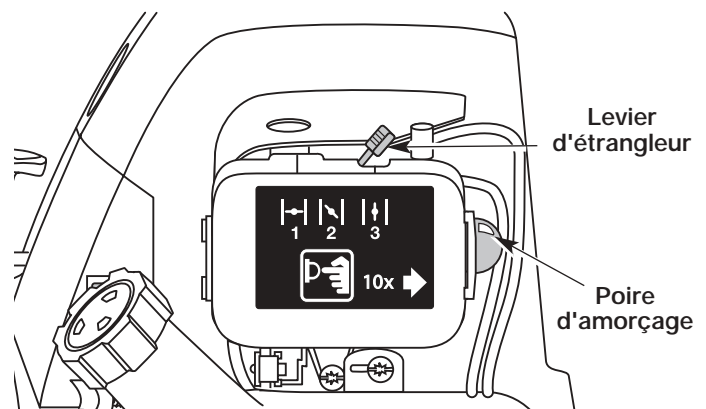


Fig. 21

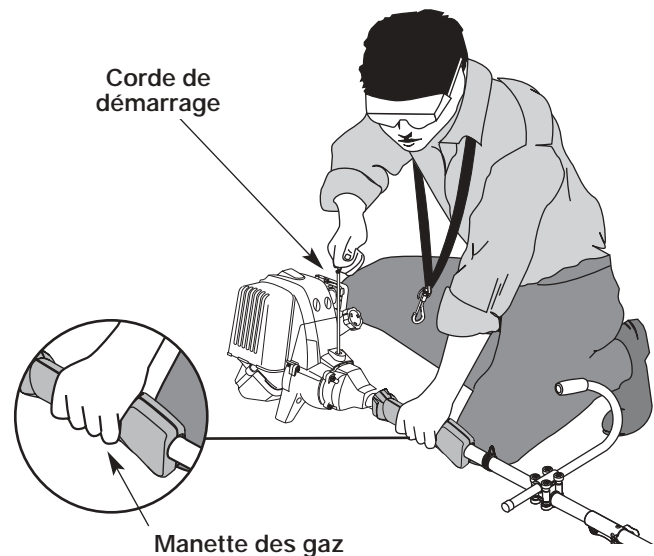


Fig. 22

## INSTRUCTIONS D'ARRÊT

1. Relâchez la manette des gaz. Laissez le moteur se refroidir au ralenti.
2. Mettez la commande Marche/Arrêt Stop en position ARRÊT (O).

# MODE D'EMPLOI

## FONCTIONNEMENT DU EZ-Link<sup>MC</sup> (Pas disponible sur BL26C0)

Le système EZ-Link<sup>MC</sup> permet d'utiliser ces accessoires optionnels :

Souffleuse/aspirateur .....	BV720r
Cultivateur .....	GC720r
Coupe-bordure .....	LE720r
Taille-haies .....	HS720r
Souffleuse (à neige) .....	ST720r
Désherbeuse à arbre droit .....	SS725r
Élagueuse .....	TP720r
Turbosouffleuse .....	TB720r

**AVERTISSEMENT:** veuillez bien assimiler le manuel des accessoires avant utilisation.

**AVERTISSEMENT:** pour éviter des blessures graves, éteignez l'appareil avant d'enlever ou d'installer des accessoires.

### Retrait de l'accessoire de coupe ou autre

1. Dévissez le bouton vers la gauche (Fig. 23).
2. Appuyez sur le bouton de déclenchement et maintenez-le enfoncé (Fig. 23).
3. Tenez fermement le corps de l'arbre supérieur et retirez l'accessoire de coupe ou autre du coupleur EZ-Link<sup>MC</sup>.

### Installation de l'accessoire de coupe ou autre

**NOTE :** pour faciliter l'installation ou le retrait d'accessoires, placez l'appareil au sol ou sur un établi.

1. Dévissez le bouton vers la gauche (Fig. 23).

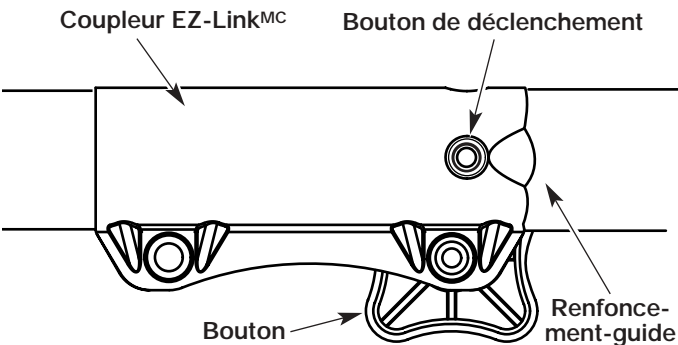


Fig. 23

2. Tenez fermement l'accessoire et enfoncez-le tout droit dans le coupleur EZ-Link<sup>MC</sup> (Fig. 24).

**NOTE :** aligner le bouton de déclenchement avec le renforcement-guide facilitera l'installation (Fig. 23).

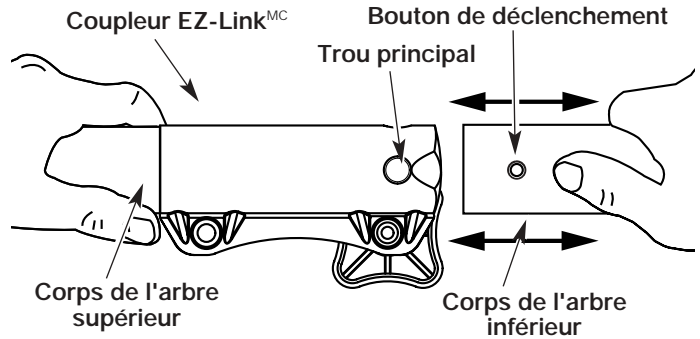


Fig. 24

3. Serrez le bouton en le tournant à droite (Fig. 25).

**MISE EN GARDE:** verrouillez le bouton de déclenchement dans le trou principal et vissez bien le bouton avant de faire marcher l'appareil.

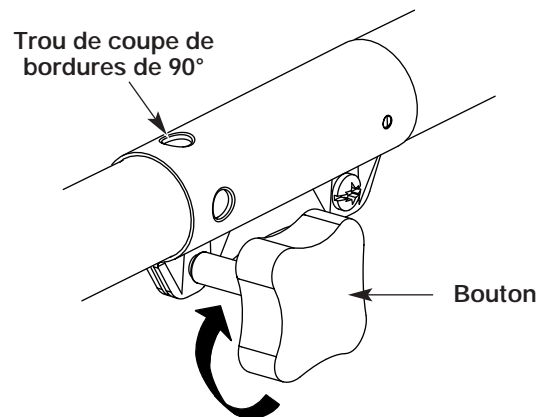


Fig. 25

**MISE EN GARDE:** l'accessoire de coupe et autres ajouts du système EZ-Link<sup>MD</sup> doivent utiliser le trou principal sauf indication contraire de leurs manuels. L'utilisation du mauvais trou pourrait causer des blessures graves ou endommager l'appareil.

Pour couper les bordures à l'aide de la tête d'accessoire de coupe sur les modèle EZ-Link<sup>MC</sup>, verrouillez le bouton de déclenchement de l'accessoire de coupe dans le trou de 90° (Fig. 25).

# MODE D'EMPLOI

## TENUE DE LA DÉSHERBEUSE



**AVERTISSEMENT:** portez toujours des protections (yeux, oreilles, pieds et corps) pour diminuer les risques de blessures durant l'utilisation de l'appareil.

Avant de faire marcher l'appareil, tenez-vous en position de fonctionnement (Fig. 26). Vérifiez les points suivants:

- L'opérateur porte une visière et des vêtements appropriés.
- Le bras droit est légèrement plié et la main tient l'arbre par sa prise.
- Le bras gauche est droit et la main tient la poignée.
- L'appareil est au-dessous de la ceinture.
- L'accessoire de coupe est parallèle au sol et touche facilement la végétation sans que l'opérateur ne doive se pencher.

Une fois que vous êtes en position de fonctionnement, accrochez la bandoulière à l'unité (BL26BC).

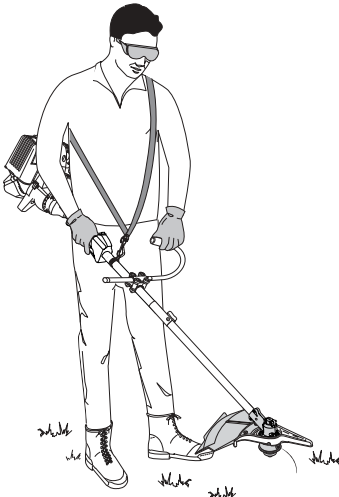


Fig. 26

## RÉGLAGE DE LA LONGUEUR DU FIL

L'accessoire de coupe Bump Head<sup>MC</sup> vous permet de donner du fil sans arrêter le moteur. Pour avoir plus de fil, tapez doucement l'accessoire de coupe sur le sol (Fig. 27) tout en faisant marcher la désherbeuse à haut régime.

**REMARQUE :** gardez toujours le fil bien déroulé. Il devient plus difficile de donner du fil à mesure que le fil de coupe devient plus court.

Chaque fois que vous donnez un coup sur la tête, vous déroulez environ 25,4 mm (1 po) de fil. La lame du protecteur d'accessoire de coupe est conçue pour couper le fil à la bonne longueur si vous déroulez trop de fil.

Pour de meilleurs résultats, tapez la tête Bump Head<sup>MC</sup> sur un sol dégagé ou dur. Si vous donnez du fil dans un lieu d'herbe haute, vous risquez de caler le moteur. Gardez toujours le fil bien déroulé. Il devient plus difficile de donner du fil à mesure que le fil de coupe se raccourcit.

**REMARQUE :** ne posez pas la tête Bump Head<sup>MC</sup> sur le sol lorsque l'appareil est en marche.



**MISE EN GARDE:** n'enlevez pas ni n'altérez l'ensemble de la lame coupante. Un excès de fil surchauffera l'embrayage. Ceci pourrait causer des blessures graves ou endommager l'appareil.

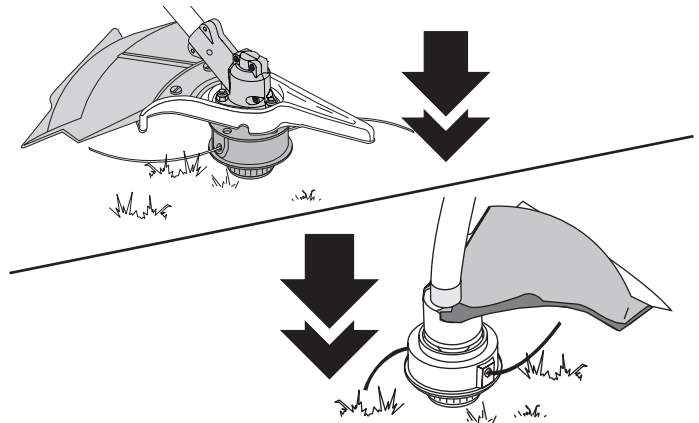


Fig. 27

Le fil peut se briser dans les cas suivants :

- Happement de corps étrangers
- Usure normale du fil
- Coupe de mauvaises herbes épaisses à longues tiges
- Forcer le fil dans des objets comme des murs ou des poteaux de clôture

## CONSEILS POUR BIEN DÉSHERBER

- Pour meilleurs les résultats qui taillent, opérer l'unité à plein étrangle.
- Le bon angle pour l'accessoire de coupe est parallèle au sol.
- Ne forcez pas l'accessoire. Coupez avec la pointe du fil (surtout le long des murs). Utiliser plus que la pointe diminue l'efficacité de la coupe et peut surcharger le moteur.
- Coupez l'herbe de plus de 200 mm (8 po) en procédant de haut en bas par petits incréments pour éviter d'user le fil prématurément ou de freiner le moteur.
- Coupez de droite à gauche (gauche à droite BL26BC) chaque fois que possible. Cela améliore l'efficacité de coupe de l'appareil et les résidus de coupe sont projetés loin de l'opérateur.
- Déplacez lentement la désherbeuse dans et hors de la zone de coupe à la hauteur voulue. Procédez d'avant en arrière ou d'un côté à l'autre. Les coupes de longueur plus courte donnent les meilleurs résultats.
- Ne désherbez que lorsque l'herbe et les mauvaises herbes sont sèches.
- La durée de vie de votre fil de coupe dépend
  - de l'application des techniques de coupe précédentes
  - du type de végétation à couper
  - du lieu de coupe

Par exemple, le fil s'use plus vite si vous coupez le long d'un mur de fondation que si vous coupez autour d'un arbre.

## COUPE DÉCORATIVE

La coupe décorative consiste à débayer la végétation autour des arbres, des bornes, des clôtures, etc.

Tournez entièrement l'appareil de manière à ce que l'accessoire de coupe soit à un angle de 30° par rapport au sol (Fig. 28).

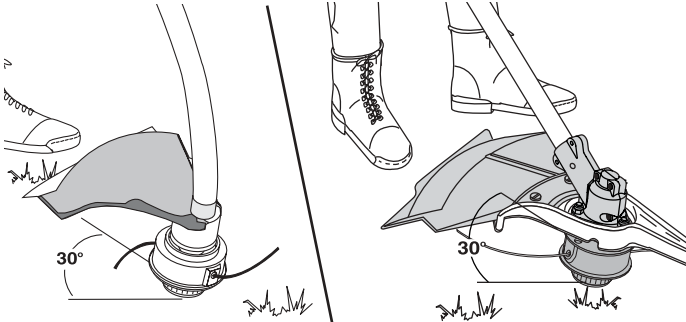


Fig. 28

## BL26BC: UTILISATION DE LA LAME DE COUPE



**AVERTISSEMENT:** portez toujours des protections (yeux, oreilles, pieds et corps) et la bandoulière pour diminuer les risques de blessures durant l'utilisation de l'appareil.



**AVERTISSEMENT:** n'utilisez pas la lame de coupe comme coupe-bordure, cela peut entraîner des blessures graves pour vous ou d'autres personnes.

Avant de faire marcher l'appareil, tenez-vous en position de fonctionnement (Fig. 29). Voir *Tenue de la désherbeuse*.

### Conseils d'utilisation de la lame

Comment adopter un bon rythme de coupe :

- Plantez les pieds fermement en les écartant confortablement.
- Lancez le moteur à pleine puissance avant de couper. La lame a une puissance de coupe maximale quand le moteur est à pleins gaz et est alors moins susceptible de se coincer, caler ou donner des coups, ce qui pourrait causer des blessures graves à l'opérateur et aux autres personnes.



**AVERTISSEMENT:** lorsque la lame pivotante frappe un objet qu'elle ne peut couper, elle donne un coup brusque qui peut pousser violemment l'opérateur et l'appareil vers n'importe quelle direction et faire perdre le contrôle de l'appareil. Ceci peut se produire brusquement si la lame s'accroche, cale ou se coince, notamment dans les endroits où il est difficile de voir ce que l'on coupe.

- Coupez tout en balançant le haut du corps de gauche à droite.
- Lorsque vous ne coupez pas, relâchez toujours la manette des gaz et laissez le moteur tourner au ralenti.
- Lorsque vous avez fini, dégagez toujours l'appareil du harnais avant d'enlever celui-ci.



**AVERTISSEMENT:** la lame continue de tourner à vide une fois le moteur éteint et peut vous blesser sérieusement si vous la touchez accidentellement.

- Balancez l'appareil dans le opposé sens que celui de la rotation de la lame, ce qui accroît la puissance de coupe.
- Avancez vers la zone à couper suivante, après avoir ramené l'appareil, et plantez fermement les pieds de nouveau.
- La lame de coupe comporte un second bord coupant que vous pouvez utiliser. Pour cela, retirez la lame, retournez-la et fixez-la de nouveau.



**AVERTISSEMENT:** n'aiguissez pas la lame de coupe car son extrémité risquerait de casser à l'usage et causer des blessures graves à vous-même ou à d'autres personnes. Remplacez-la plutôt

Pour diminuer les risques d'enroulement des matériaux autour de la lame, suivez les points suivants :

- Coupez à pleins gaz.
- Balancez l'appareil de gauche à droite tout en pénétrant dans la zone à couper (Fig. 30).
- Évitez, sur le mouvement de retour, les matières que vous venez de couper.



**AVERTISSEMENT:** ne débayer pas les matières coupées pendant que le moteur ou la lame tournent. Pour éviter des blessures graves, éteignez le moteur et laissez la lame s'arrêter avant de dégager les matières enroulées autour de l'axe de la lame.



Fig. 29



Fig. 30



# ENTRETIEN ET RÉPARATIONS

**REMARQUE :** certaines procédures d'entretien nécessitent des compétences ou des outils particuliers. Si vous n'êtes pas sûr de pouvoir les entreprendre, emmenez votre appareil dans un atelier, chez un technicien ou un concessionnaire agréé spécialisé dans les réparations de moteurs d'outils mécaniques de plein air.

**REMARQUE:** l'entretien, le remplacement ou la réparation des dispositifs et systèmes antipollution peuvent être effectués par tout atelier, technicien ou concessionnaire agréé spécialisé dans les réparations de moteurs d'outils mécaniques de plein air.

## PROGRAMME D'ENTRETIEN

L'entretien doit respecter la fréquence indiquée dans le tableau ci-dessous. Il doit également faire partie de toute mise au point saisonnière.

FRÉQUENCE	ENTRETIEN REQUIS	RÉFÉRENCE
Avant le démarrage du moteur	Remplissez le réservoir de carburant frais Vérifiez l'huile	Page 12 Page 22
Toutes les 10 heures	Nettoyez le filtre à air et lubrifiez-le de nouveau	Page 23
Premier changement après 10 heures Toutes les 25 heures après Toutes les 25 heures	Changez l'huile Changez l'huile Nettoyez le pare-étincelles	Page 23 Page 23 Page 27
10 heures pour un moteur neuf Toutes les 25 heures Toutes les 25 heures	Vérifiez et réglez le jeu entre soupape et culbuteur Vérifiez et réglez le jeu entre soupape et culbuteur Vérifiez l'état de la bougie et l'écartement des électrodes	Page 25 Page 25 Page 27



**AVERTISSEMENT:** pour éviter tout accident, n'effectuez jamais l'entretien ou des réparations quand l'appareil fonctionne. Effectuez-les toujours lorsqu'il est froid. Débranchez le câble de la bougie pour prévenir la mise en route.

## INSTALLATION DU FIL

Votre débroussailleuse est équipée d'une des deux têtes suivantes. La débroussailleuse (BL26SS) utilise une tête SpeedSpool tandis que la débroussailleuse (BL26C0 & BL26BC) utilise une grosse tête semi-automatique. Ne consultez que la section qui s'applique au type de tête équipant votre machine.

### BOUTON DE BUTÉE (BL26BC & BL26C0)

Cette section couvre l'installation de fil SplitLine<sup>MC</sup> et l'installation de fil simple standard.

Utilisez toujours un fil de remplacement équipement d'origine de 2,41mm (0,095 po-- BL26BC) ou 2,03 mm (0,080 po-- BL26C0). Un autre fil pourrait surchauffer ou endommager le moteur.

**AVERTISSEMENT:** n'utilisez jamais de fil, de chaîne ou de cordon à renfort métallique car ils peuvent se briser et se transformer en projectile dangereux.

Vous pouvez remplacer le fil de deux façons:

- Rembobinez du fil neuf dans le moulinet intérieur
- Installer un moulinet intérieur prérembobiné

### Rembobiner le moulinet intérieur existant

1. Tenez la bobine extérieure d'une main et dévissez le bouton de butée vers à droite (Fig. 31 ou 32). Inspectez le boulon à l'intérieur du bouton de butée pour vous assurer qu'il se déplace librement. Remplacez le bouton de butée s'il est endommagé.

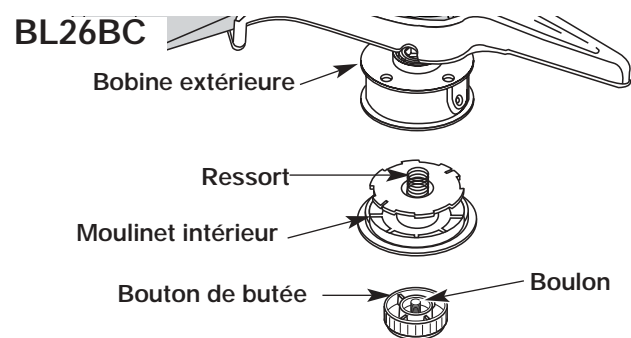


Fig. 31

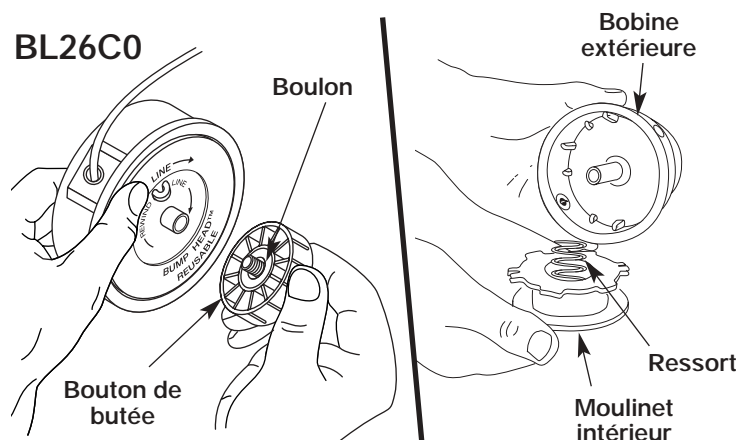


Fig. 32

2. Retirez le moulinet intérieur de la bobine extérieure (Fig. 31 ou 32).

# ENTRETIEN ET RÉPARATIONS

3. Retirez le ressort du moulinet (Fig. 31 ou 32).
4. Nettoyez le moulinet intérieur, le ressort, et l'arbre et la surface interne de la bobine extérieure à l'aide d'un tissu propre (Fig. 33).
5. Vérifiez l'état d'usure des dents de positionnement sur le moulinet intérieur et la bobine extérieure (Fig. 34 ou 35). Enlevez les ébarbures ou remplacez le moulinet et la bobine au besoin.

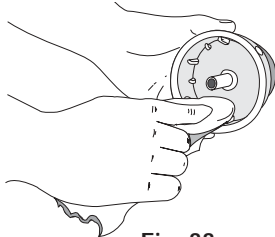


Fig. 33

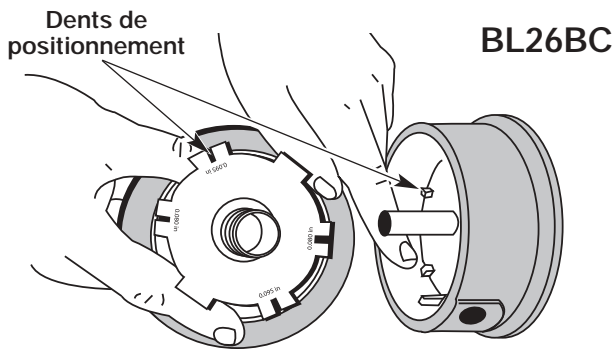


Fig. 34

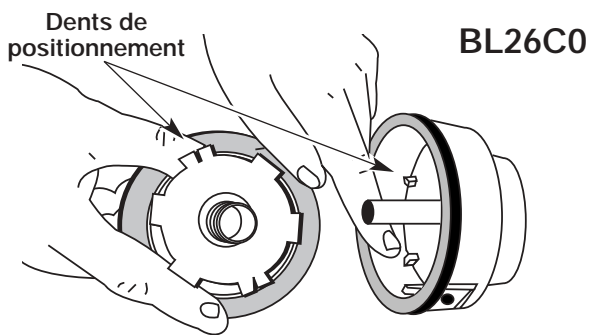


Fig. 35

**REMARQUE :** le SplitLine<sup>MC</sup> peut être utilisé seulement avec le moulinet intérieur à trous allongés. Le fil simple peut être utilisé avec les deux sortes de moulinet intérieur. Identifiez votre type de moulinet en vous référant à la Figure 36.

Utiliser avec le fil simple  
**UNIQUEMENT**

Utiliser avec le SplitLine<sup>MC</sup>  
ou le fil simple

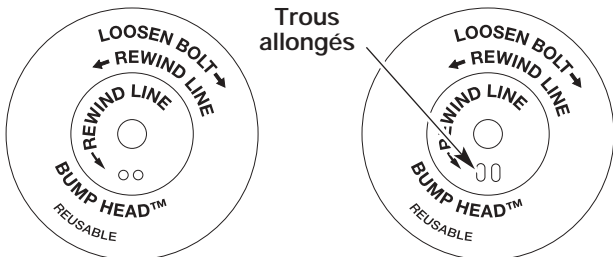


Fig. 36

**REMARQUE :** utilisez toujours la bonne longueur de fil lorsque vous posez le fil sur l'appareil. Le fil risque de ne pas se dérouler correctement s'il est trop long.

**BL26BC**

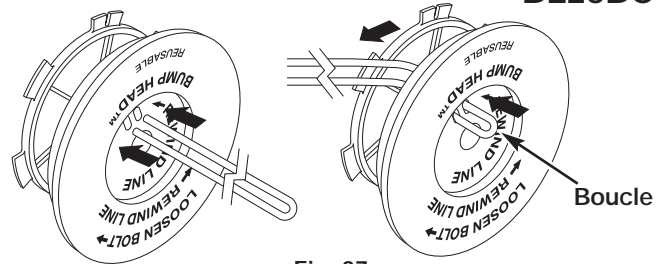


Fig. 37

**BL26C0**

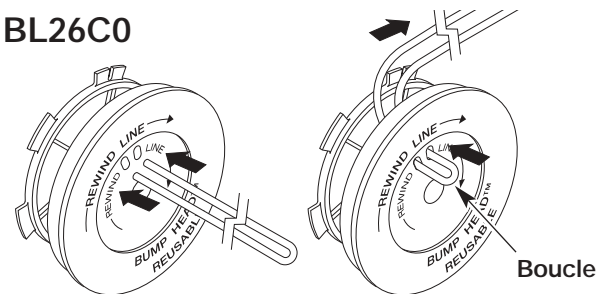


Fig. 38

## Installation du fil simple

Pour l'installation du SplitLine<sup>MC</sup>, passez à l'étape 8.

6. Découpez environ 5 m (16 pi) de fil neuf et faites-en deux boucles de longueurs égales. Insérez chaque extrémité de fil dans l'un des deux trous du moulinet (Fig. 37 ou 38). Tirez le fil à travers le moulinet pour que la boucle soit le plus petit possible.
7. Enroulez les fils en couches uniformes serrées sur le moulinet (Fig. 39 ou 40). Enroulez le fil dans le sens indiqué sur le moulinet intérieur. Placez votre index entre les deux fils pour les empêcher de se superposer. Ne superposez pas les extrémités du fil. Passez à l'étape 11.

**BL26BC**

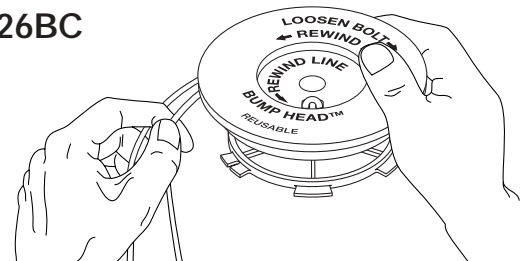


Fig. 39

**BL26C0**

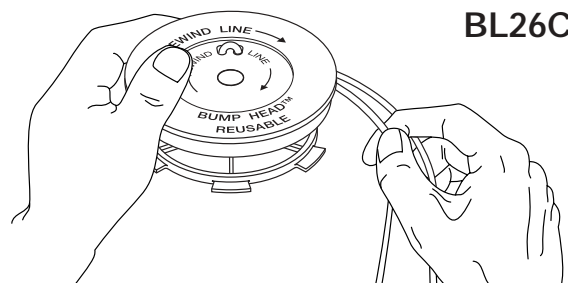


Fig. 40

# ENTRETIEN ET RÉPARATIONS

## Installation du SplitLine<sup>MC</sup>

- Découpez environ 2,5 m (8 pi) de fil neuf. Insérez une extrémité de fil dans l'un des deux trous du moulinet intérieur (Fig. 41 ou 42). Tirez le fil jusqu'à ne laisser que 10 cm (4 po) environ.
- Insérez l'extrémité du fil dans le trou ouvert du moulinet et tirez sur le fil pour que la boucle soit le plus petit possible (Fig. 41 ou 42).
- Avant de rembobiner le fil, séparez-le en deux sur une longueur d'environ 15 cm (6 po).
- Enroulez le fil en couches uniformes serrées dans le sens indiqué sur le moulinet intérieur.

**REMARQUE :** ne pas enrouler le fil dans le sens indiqué entraînera un mauvais fonctionnement de l'accessoire de coupe.

- Insérez les extrémités du fil dans les deux fentes de retenue (Fig. 43).

### BL26BC

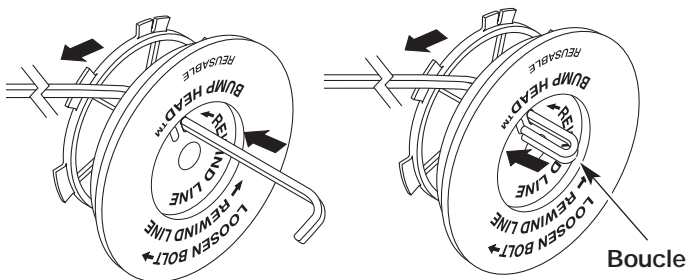


Fig. 41

### BL26C0

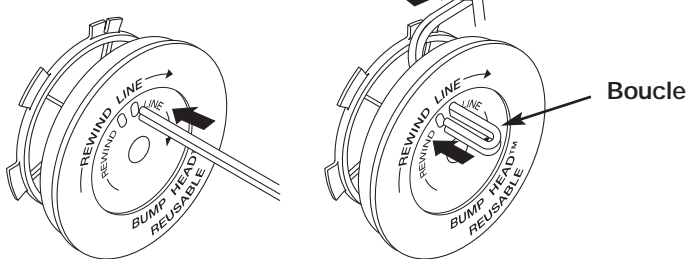


Fig. 42

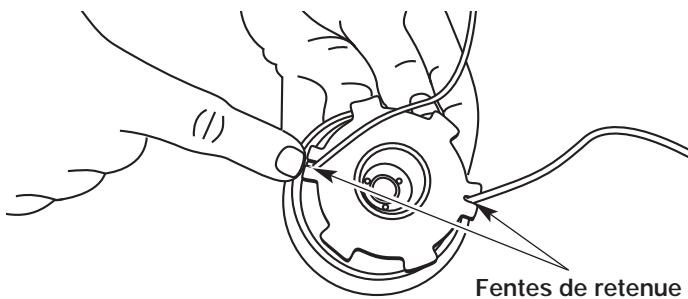


Fig. 43

- Insérez les extrémités du fil dans les œillets de la bobine extérieure et placez le moulinet et le ressort dans la bobine (Fig. 44 ou 45). Enfoncez le moulinet et la bobine ensemble. Tout en tenant le moulinet et la bobine, saisissez les extrémités et tirez fermement pour dégager le fil des fentes de retenue de la bobine.

**REMARQUE :** le ressort doit être installé dans le moulinet intérieur avant de remonter l'accessoire de coupe.

- Maintenez le moulinet intérieur en place et installez le bouton de butée en le tournant à gauche (BL26BC) ou à droite (BL26C0). Vissez bien.

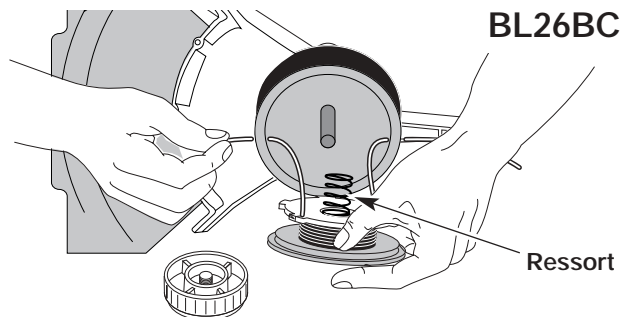


Fig. 44

### BL26C0

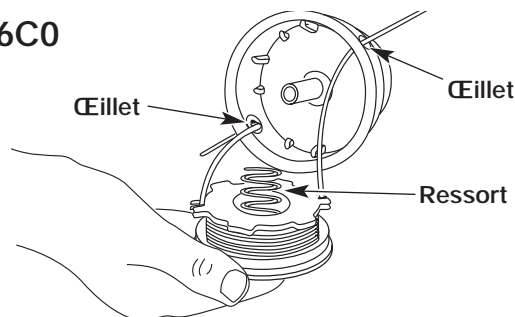


Fig. 45

## Installation d'un moulinet prérembobiné

- Tenez la bobine extérieure d'une main et dévissez le bouton de butée vers à droite (BL26BC) ou à gauche (BL26C0). Inspectez le boulon à l'intérieur du bouton de butée pour vous assurer qu'il se déplace librement. Remplacez le bouton de butée s'il est endommagé (Fig. 31 ou 32).
- Retirez l'ancien moulinet intérieur de la bobine extérieure (Fig. 31 ou 32).
- Retirez le ressort de l'ancien moulinet intérieur (Fig. 31 ou 32).
- Placez le ressort dans le moulinet intérieur neuf.

**REMARQUE :** le ressort doit être installé dans le moulinet intérieur avant de remonter l'accessoire de coupe.

- Insérez les extrémités du fil dans les œillets de la bobine extérieure (Fig. 44 ou 45).
- Placez le moulinet intérieur neuf dans la bobine. Poussez le moulinet et la bobine ensemble. Tout en tenant le moulinet et la bobine, saisissez les extrémités et tirez fermement pour dégager le fil des fentes de retenue de la bobine.
- Maintenez le moulinet intérieur en place et installez le bouton de butée en le tournant à gauche (BL26BC) ou à droite (BL26C0). Vissez bien.

# ENTRETIEN ET RÉPARATIONS

## SPEEDSPOOL® (BL26C0 & BL26SS)

### INSTALLATION DU FIL DU SPEEDSPOOL<sup>MD</sup>

Utilisez toujours un fil de remplacement du fabricant d'origine de 2,03 mm (0,080 po). Un fil plus épais pourrait surchauffer ou endommager le moteur.



**AVERTISSEMENT:** n'utilisez jamais de fil, de chaîne ou de cordon à renfort métallique car ils peuvent se briser et se transformer en projectile dangereux.

Vous pouvez remplacer le fil du SpeedSpool<sup>MD</sup> de deux façons:

- Rembobinez du fil neuf dans le moulinet intérieur
- Installez un moulinet intérieur pré-enroulé

#### Rembobiner le fil neuf sur le moulinet intérieur

**REMARQUE :** il est inutile d'enlever le bouton de butée pour installer un fil neuf.

1. Découpez deux morceaux de fil de 2,03 mm (0,080 po) de 3m (10 pi) de long.
2. Alignez la flèche du moulinet intérieur avec celle de la bobine extérieure (Fig. 46).



**AVERTISSEMENT:** utilisez toujours la bonne longueur de fil lorsque vous posez le fil sur l'appareil. Le fil risque de ne pas se dérouler correctement s'il est trop long.

SpeedSpool<sup>MD</sup> vu de haut

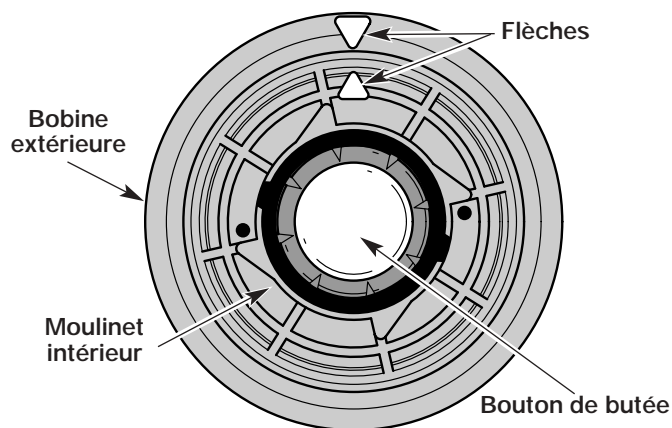


Fig. 46

3. Tirez le vieux fil des trous de chargement et de blocage du fil (Fig. 47 et 48).
4. Insérez un morceau de fil dans l'un des deux œillets de la bobine extérieure. Enfoncez-le dans le trou de chargement du moulinet intérieur (Fig. 47). Ne pliez pas le fil en l'insérant dans l'œillet.

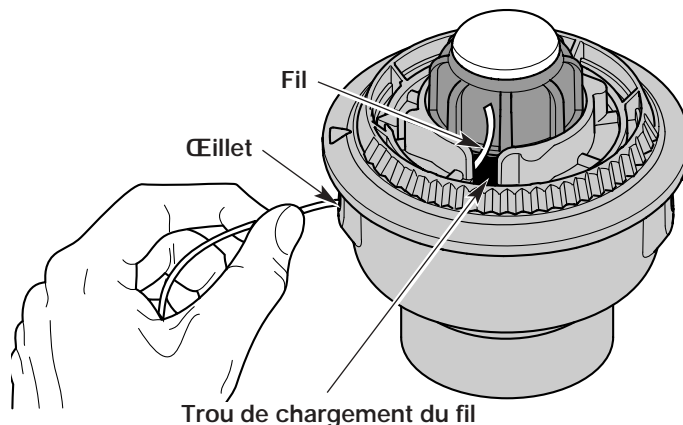


Fig. 47

5. Insérez le fil dans le trou de blocage. N'enfoncez pas le fil de plus de 12,7 mm (1/2 po) dans le trou. S'il est inséré correctement, le fil forme une petite boucle (Fig. 48).

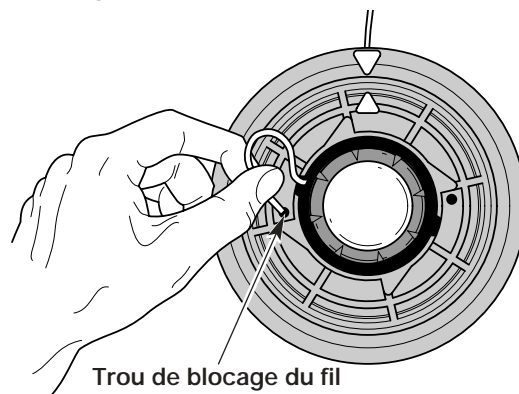


Fig. 48

6. Tirez le fil de la bobine extérieure jusqu'à ce qu'il soit bien serré contre le moulinet intérieur (Fig. 49).

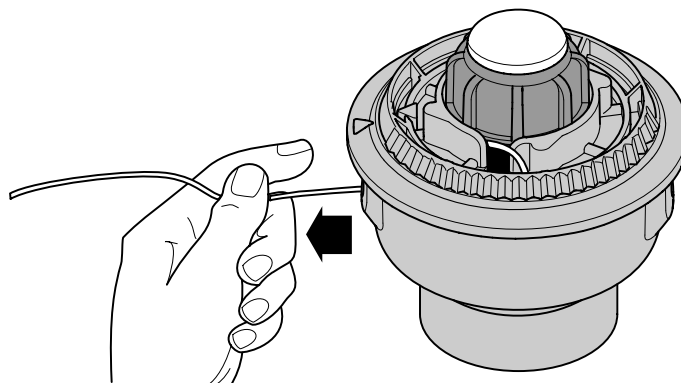


Fig. 49

# ENTRETIEN ET RÉPARATIONS

7. Répétez les procédures 4-6 pour le second morceau de fil.
8. Tenez la bobine extérieure. Rembobinez le moulinet intérieur vers la gauche jusqu'à ce qu'il ne reste plus qu'environ 102 mm (4 po) de fil (Fig. 50).

**REMARQUE :** ne rembobinez pas le moulinet intérieur avant de poser le second fil.

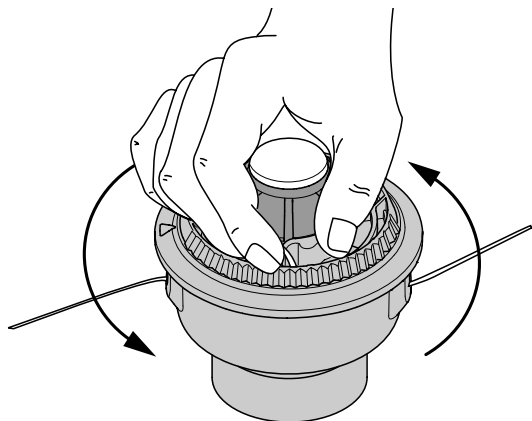


Fig. 50

9. Si le rembobinage du fil devient difficile ou si le fil se coince, tirez-en les extrémités de la bobine. Continuez de rembobiner le moulinet intérieur vers la gauche (Fig. 51).

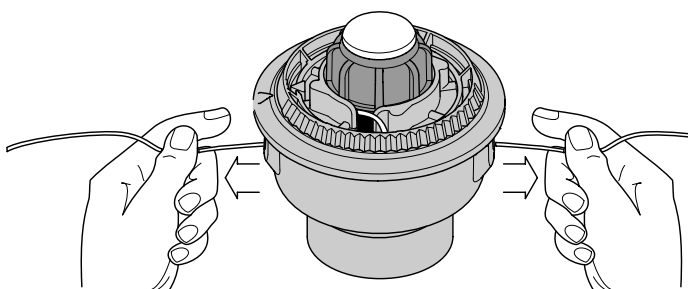


Fig. 51

## Installation d'un moulinet pré-enroulé

1. Retirez le bouton de butée, le ressort et le joint en mousse en tournant le bouton de butée à gauche (Fig. 52).

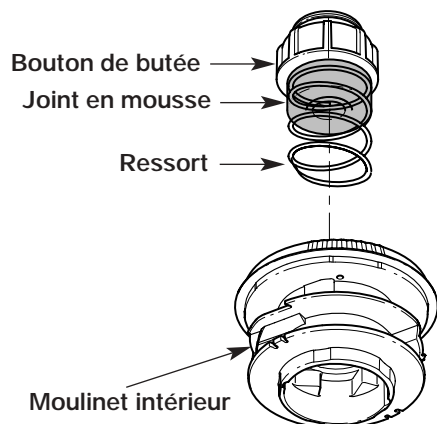


Fig. 52

2. Retirez de la bobine extérieure le vieux moulinet intérieur avec son fil.
3. Insérez les extrémités du fil du moulinet intérieur neuf dans les œillets de la bobine extérieure (Fig. 53). Enfoncez le moulinet intérieur neuf, flèche vers le haut, dans la bobine extérieure.

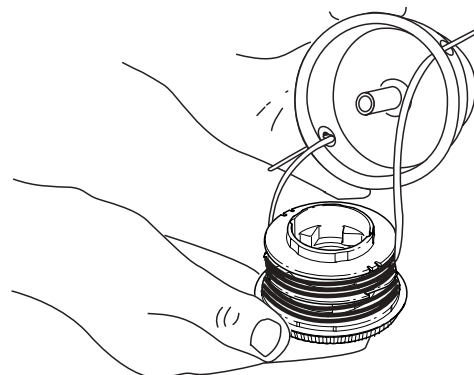


Fig. 53

4. Maintenez le moulinet intérieur et installez le bouton de butée, le ressort, et le joint en mousse en poussant le bouton de butée vers le bas et en le tournant à droite. Saisissez les extrémités et tirez fermement pour dégager le fil des fentes de retenue du moulinet intérieur (Fig. 51).

## Déroutement du moulinet intérieur

Si le SpeedSpool<sup>MD</sup> ne déroule pas le fil correctement, tirez fermement les extrémités du fil loin de la bobine (Fig. 51). Si cela ne suffit pas, suivez les instructions de *Nettoyage du SpeedSpool<sup>MD</sup>*.

## Nettoyage du SpeedSpool<sup>MD</sup>

Le nettoyage du SpeedSpool<sup>MD</sup> peut s'avérer nécessaire:

- Pour retirer du fil coincé ou trop long
  - Si le SpeedSpool<sup>MD</sup> devient difficile à rembobiner ou s'il ne fonctionne pas correctement lorsque vous tapez sa tête sur le sol
1. Tenez la bobine extérieure et dévissez le bouton de butée à gauche (Fig. 54).
  2. Tirez le bouton de butée, le ressort et le joint en mousse (Fig. 52).

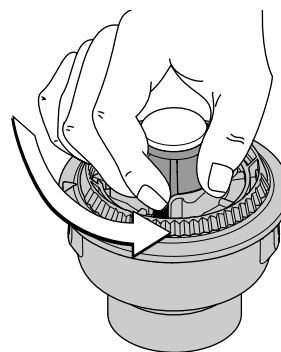


Fig. 54

3. Retirez de la bobine extérieure le moulinet intérieur avec son fil.

# ENTRETIEN ET RÉPARATIONS

- Retirez tout le fil du moulinet intérieur avant de nettoyer. Enlevez tout débris ou trace d'herbe du bouton, du ressort, du moulinet et du joint en mousse. Lavez le moulinet intérieur avec de l'eau tiède savonneuse (Fig. 55).

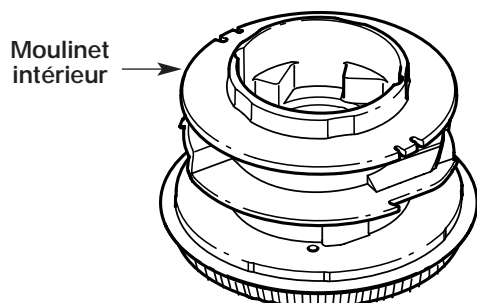


Fig. 55

- Nettoyez l'axe et la surface intérieure de la bobine extérieure. Pour nettoyer l'axe dissimulé sous le plongeur, appuyez sur celui-ci (Fig. 56). Enlevez toute trace de saleté et de débris de l'axe.

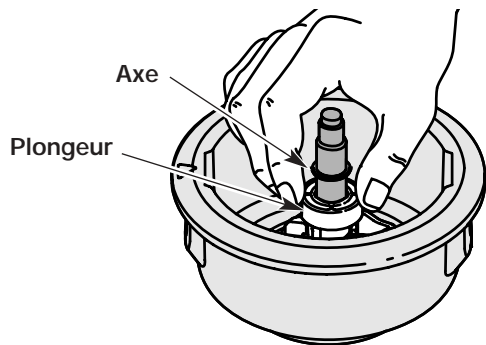


Fig. 56

**REMARQUE:** le moulinet intérieur doit être complètement sec avant de le réinstaller dans la bobine extérieure. Ne lubrifiez pas le moulinet intérieur ni la bobine extérieure.

- Placez le moulinet intérieur dans la bobine extérieure.
- Placez le bouton de butée, le ressort et le joint en mousse dans la bobine extérieure (Fig. 52).
- Serrez le bouton de butée en appuyant dessus et en tournant à droite.
- Posez le fil neuf tel qu'indiqué dans *Installation du fil de SpeedSpool<sup>MD</sup>*.

## VÉRIFICATION DU NIVEAU D'HUILE



**MISE EN GARDE:** Pour éviter de trop user le moteur ou endommager l'appareil, maintenez toujours l'huile du carter à un bon niveau. N'utilisez jamais l'appareil si le niveau est en dessous du bas de la jauge.

Nous ne saurions trop insister sur l'importance de la vérification du niveau d'huile du carter moteur et de son maintien. Vérifiez l'huile avant chaque utilisation :

- Arrêtez le moteur et laissez l'huile s'écouler dans le carter moteur.
- Placez l'appareil sur une surface horizontale plane avant de relever correctement le niveau d'huile.
- Empêchez l'accumulation de saleté, de résidus de coupe, etc. dans le moteur. Nettoyez la zone autour du bouchon / jauge d'huile avant de le retirer.
- Retirez le bouchon / jauge d'huile et essuyez toute trace d'huile. Remplacez-le en l'enfonçant bien.
- Retirez le bouchon de remplissage / jauge d'huile et vérifiez le niveau d'huile. L'huile devrait atteindre le haut de la jauge (Fig. 57).

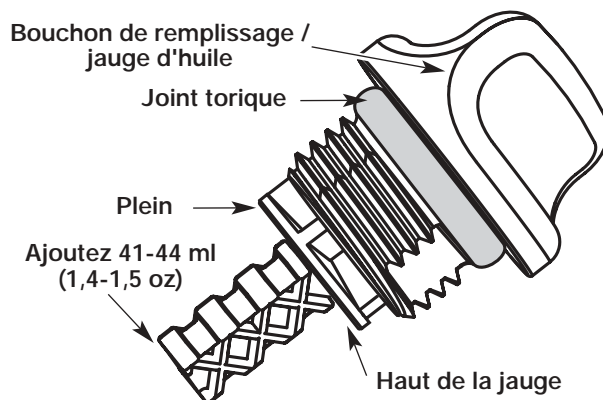


Fig. 57

- Si le niveau est trop bas, ajoutez un peu d'huile par l'orifice et revérifiez (Fig. 58). Continuez jusqu'à ce que le niveau d'huile atteigne le haut de la jauge.

**REMARQUE :** Ne remplissez pas trop l'appareil.

**REMARQUE :** Assurez-vous que le joint torique est mis sur le bouchon de remplissage / jauge d'huile au moment de la vérification et du changement d'huile (Fig. 58).

# ENTRETIEN ET RÉPARATIONS

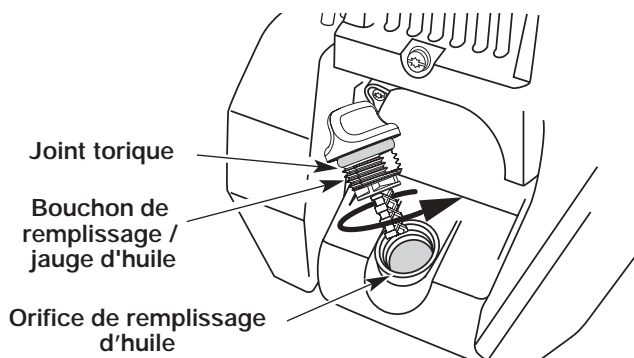


Fig. 58

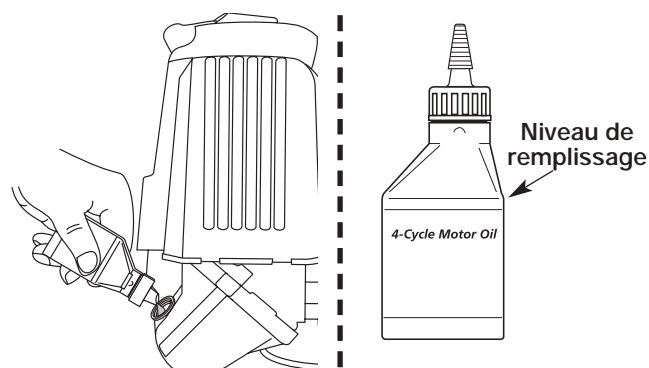


Fig. 60

## CHANGEMENT D'HUILE

Si le moteur est neuf, changez l'huile après les 10 premières heures d'utilisation. Mieux vaut changer l'huile lorsque le moteur est encore chaud. Cela lui permet de s'écouler librement et d'emporter les impuretés.



1. Débranchez le couvre-borne de bougie pour empêcher le démarrage.
2. Retirez le bouchon de remplissage / jauge d'huile.
3. Versez l'huile de l'orifice de remplissage dans un récipient en inclinant l'appareil à la verticale (Fig. 58). Allouez assez de temps pour une vidange complète.

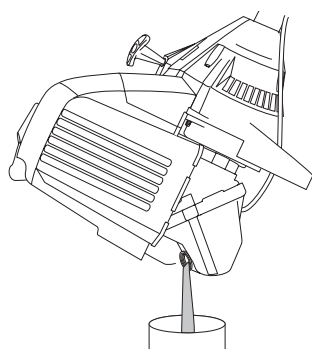


Fig. 59

4. Essayez les résidus d'huile et nettoyez toute trace d'huile déversée. Éliminez l'huile selon les règlements fédéral, provincial et municipal en vigueur.
5. Remplissez de nouveau le carter moteur de 100 ml (3,4 oz) d'huile SAE 30 SF, SG, SH.

**REMARQUE :** Mesurez la quantité nécessaire à l'aide de la bouteille et de la buse utilisées lors de la mise en service. 100 ml (3,4 oz) correspond environ au haut de l'étiquette de la bouteille (Fig. 60). Vérifiez le niveau d'huile avec la jauge. S'il est trop bas, ajoutez un peu d'huile par l'orifice et revérifiez. Ne remplissez pas trop (Fig. 60).

6. Remplacez le bouchon de remplissage / jauge d'huile.
7. Rebranchez le couvre-borne de bougie.

## ENTRETIEN DU FILTRE À AIR

### Nettoyage du filtre à air



Nettoyez et relubrifiez le filtre à air à toutes les 10 heures de fonctionnement. C'est l'un des éléments les plus importants pour l'entretien. Tout manquement à l'entretien du filtre à air peut entraîner une baisse de performances ou causer des dégâts permanents à votre moteur.

1. Ouvrez le couvercle du filtre à air. Enfoncez la languette à droite du couvercle, tirez celui-ci vers vous puis vers la gauche (Fig. 61).

**REMARQUE :** Il peut s'avérer nécessaire de retirer le bouchon du réservoir pour enlever le couvercle du filtre.

2. Retirez le filtre à air (Fig. 61).

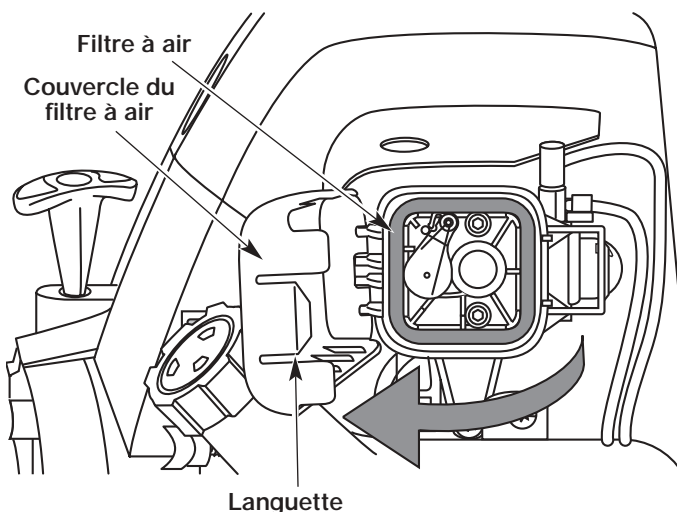


Fig. 61

# ENTRETIEN ET RÉPARATIONS

3. Lavez le filtre dans un mélange d'eau et de détergent (Fig. 62). Rincez le filtre abondamment et laissez-le sécher.

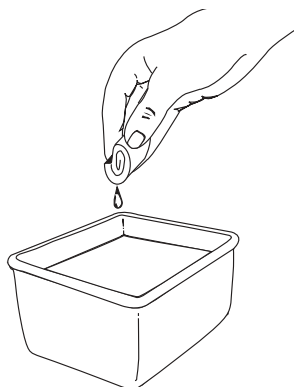


Fig. 62

4. Appliquez une quantité suffisante d'huile moteur propre SAE 30 pour enduire légèrement le filtre (Fig. 63).

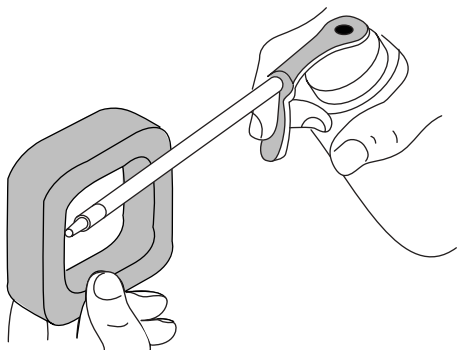


Fig. 63

5. Pressez le filtre pour répartir et drainer l'excédent d'huile (Fig. 64).

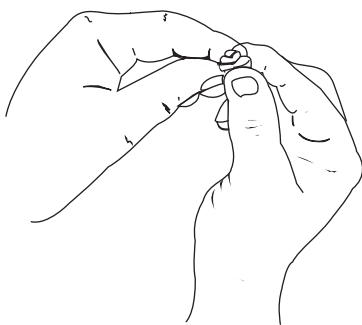


Fig. 64

6. Remplacez le filtre (Fig. 65).

**REMARQUE :** Si vous faites fonctionner l'appareil sans filtre à air, vous **ANNULEREZ** la garantie.

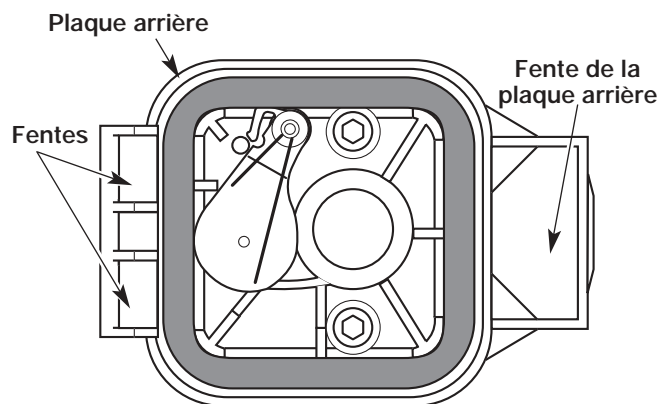


Fig. 65

7. Réinstallez le couvercle du filtre à air Placez les crochets à gauche du filtre à air dans les fentes à gauche de la plaque arrière (Fig. 65).

**REMARQUE :** Il peut s'avérer nécessaire de retirer le bouchon du réservoir pour réinstaller le couvercle du filtre.

8. Pivotez le couvercle vers la droite jusqu'à ce que la languette du couvercle du filtre s'enfonce d'un déclic dans la plaque arrière (Fig. 65).
9. Remplacez le bouchon du réservoir si vous l'aviez retiré.

## RÉGLAGE DU CARBURATEUR

La vitesse de ralenti du moteur est réglable à l'aide d'une vis de réglage accessible par un trou situé sur le dessus du couvercle du moteur (Fig. 66).

**REMARQUE :** Un réglage négligé peut sérieusement endommager l'appareil. Confiez les réglages de carburateur à un concessionnaire agréé.

## Vérification du carburant

En général, si l'appareil ne fonctionne pas correctement, c'est que le carburant est vieux. Videz puis remplissez le réservoir de carburant sans plomb frais et propre avant d'effectuer des réglages. Voir *Informations sur l'huile et le carburant*.



## Nettoyage du filtre à air

L'état du filtre à air est très important pour le fonctionnement de l'appareil. Un filtre à air sale restreint le débit d'air et affecte le mélange de carburant/air. On confond souvent cela avec un mauvais réglage du carburateur. Vérifiez l'état du filtre à air avant de régler la vis de réglage de ralenti. Voir *Entretien du filtre à air*.

## Réglage de la vis de réglage de ralenti



**AVERTISSEMENT:** il se peut que l'accessoire de coupe tourne pendant le réglage de la vitesse de ralenti. Portez des vêtements protecteurs et respectez toutes les consignes de sécurité pour éviter des blessures graves.

Si le moteur ne se met toujours pas au ralenti après vérification du carburant et nettoyage du filtre à air, réglez la vis de ralenti comme suit :

1. Démarrez le moteur et laissez-le tourner à haut régime pendant une minute pour se réchauffer.
2. Relâchez le levier d'accélérateur et laissez le moteur au ralenti. Si le moteur s'arrête, insérez un petit tournevis à embout cruciforme ou à tête plate dans le trou du couvercle du moteur (Fig. 66). Vissez la vis de réglage du ralenti de 1/8 de tour à la fois (selon le besoin) jusqu'à ce que le moteur tourne au ralenti.

**REMARQUE :** l'accessoire de coupe ne devrait pas tourner lorsque le moteur est au ralenti.

3. S'il tourne, **dévissez** la vis de ralenti de 1/8 de tour à la fois (selon le besoin) pour réduire la vitesse de ralenti.

La vérification de carburant, le nettoyage du filtre à air et le réglage de la vis de ralenti devraient résoudre la plupart des problèmes de moteur. Dans le cas contraire et si :

- le moteur ne se met pas au ralenti
- le moteur hésite ou cale lors d'une accélération
- le moteur perd de sa puissance

faites régler le carburateur par un distributeur agréé.



**AVERTISSEMENT:** une fois l'appareil éteint, pour éviter des blessures graves assurez-vous que l'accessoire de coupe est arrêté avant de poser l'appareil.

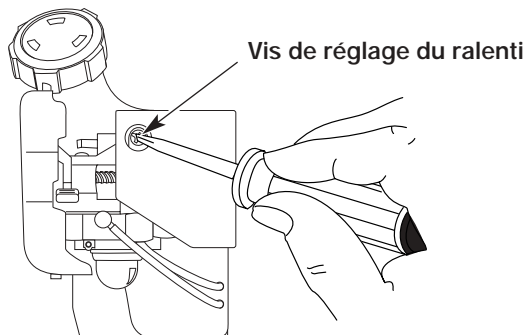


Fig. 66

## JEU ENTRE SOUPAPE ET CULBUTEUR

Ceci nécessite de démonter le moteur. Si vous ne vous sentez pas à l'aise de le faire, confiez l'appareil à un centre de service agréé.

**REMARQUE :** Inspectez le jeu entre soupape et culbuteur à l'aide d'une jauge d'épaisseur après les 10 premières heures de fonctionnement, puis par intervalle de 25 heures par la suite.

- Attendez que le moteur soit froid avant de vérifier ou de régler le jeu de la soupape.
  - Faites-le à l'intérieur, dans un endroit propre et sans poussière.
1. Retirez le couvercle du silencieux en appuyant sur le coin à l'aide d'un tournevis à lame plate (Fig. 67). Glissez les encoches sur les côtés du couvercle par-dessus les languettes du couvercle du moteur et retirez le couvercle.

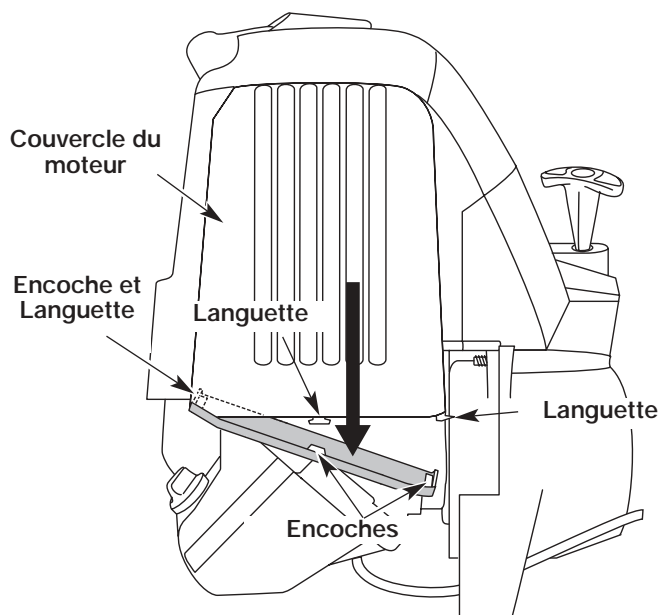


Fig. 67

2. Enlevez les deux vis (2) du haut du couvercle du moteur à l'aide d'un tournevis à lame plate ou T-25 Torx (Fig. 68).

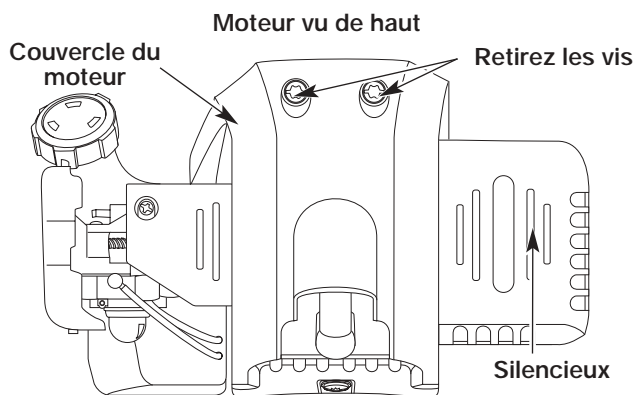


Fig. 68

# ENTRETIEN ET RÉPARATIONS

3. Enlevez la vis derrière le couvercle du moteur (Fig. 69).

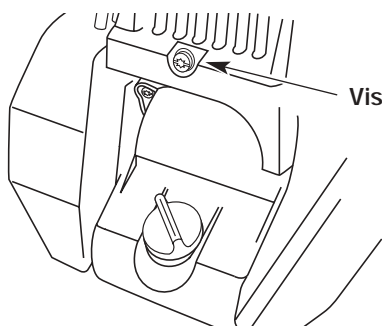


Fig. 69

4. Déconnectez le câble de la bougie.  
 5. Nettoyez toute saleté de la bougie. Retirez la bougie de la culasse en tournant la douille de 5/8 po à gauche.  
 6. Déposez le couvercle du moteur (Fig. 68).  
 7. Nettoyez toute saleté autour du cache-culbuteur. Retirez la vis retenant le cache-culbuteur à l'aide d'un tournevis à lame plate large ou à mèche no. T-25 Torx (Fig. 70). Enlevez le cache-culbuteur et le joint.

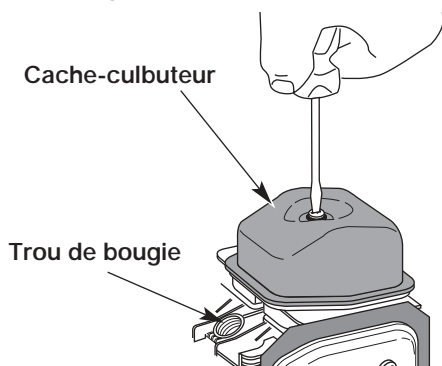


Fig. 70

8. Tirez lentement sur la corde de démarrage pour ramener le piston au sommet de sa course dit « point mort haut ». Vérifiez que :
- Le piston est au sommet de sa course lorsqu'on regarde par le trou de la bougie (Fig. 70)
  - Les deux culbuteurs se déplacent librement et les deux soupapes sont fermées

Si ce n'est pas le cas, répétez la procédure.

9. Glissez la jauge d'épaisseur entre le culbuteur et le ressort de rappel de la soupape. Mesurez le jeu entre la tige de soupape et le culbuteur (Fig. 71). Faites-le pour les soupapes d'admission et d'échappement.

L'écart de jeu recommandé pour l'admission et l'échappement est de 0,076 – 0,152 mm (0,003 – 0,006 po). Servez-vous d'une jauge d'épaisseur d'automobile standard de 0,127 mm (0,005 po). La jauge d'épaisseur devrait pouvoir glisser entre le culbuteur et la tige de soupape en rencontrant une faible résistance mais sans coller (Fig. 71 et 72).

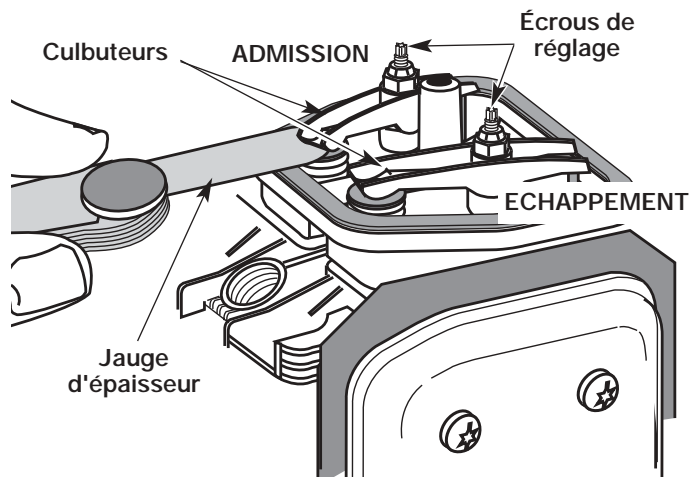


Fig. 71

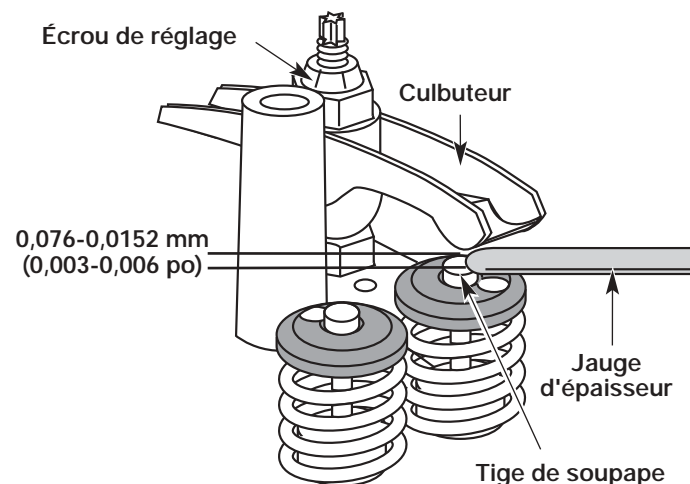


Fig. 72

10. Si le jeu n'est pas conforme:
- Tournez l'écrou de réglage à l'aide d'une clé de 8 mm (5/16 po) ou d'un tournevis à embout hexagonal (Fig. 72).
    - Pour augmenter le jeu, tournez l'écrou de réglage vers la gauche.
    - Pour réduire le jeu, tournez l'écrou de réglage vers la droite.
  - Revérifiez les deux jeux de soupape et réglez-les au besoin.
11. Remplacez le cache-culbuteur en mettant un joint neuf. Serrez la vis avec un couple de serrage de 2,2–3,4 N•m (12 po•lb).
12. Remplacez le couvercle du moteur. Vérifiez l'alignement du couvercle avant de serrer les vis. Vissez bien.
13. Remplacez le couvercle du silencieux. Glissez avec un déclic les encoches sur les côtés du couvercle par-dessus les languettes du couvercle du moteur (Fig. 67).
14. Vérifiez l'état de la bougie et remplacez-la. Voir *Remplacement de la bougie*.
15. Remplacez le câble de la bougie.

# ENTRETIEN ET RÉPARATIONS

## REPLACEMENT DE LA BOUGIE

Utilisez une bougie 180890. L'écartement correct est de 0,655 mm (0,025 po). Retirez la bougie après 25 heures de fonctionnement et vérifiez son état.

1. Arrêtez le moteur et laissez-le refroidir. Saisissez fermement le câble de la bougie et retirez le capuchon de celle-ci.
2. Nettoyez toute saleté de la bougie. Retirez la bougie de la culasse en tournant la douille de 5/8 po à gauche.



**MISE EN GARDE:** évitez de sabler, gratter ou nettoyer les électrodes car de la saleté dans le moteur pourrait endommager le cylindre.

3. Remplacez toute bougie fendillée, encrassée ou sale. Réglez l'écartement à 0,655 mm (0,025 po) à l'aide d'une jauge d'épaisseur (Fig. 73).
4. Installez la bougie ajustée dans la culasse. Tournez la douille de 5/8 po à droite jusqu'à bien la visser.

Si vous utilisez une clé dynamométrique, vissez selon les valeurs suivantes :

**12,3-13,5 Nom (110-120 poolb).**

**Évitez de trop serrer.**

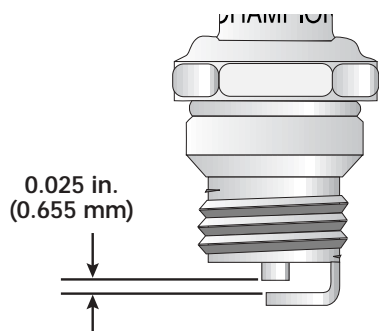


Fig. 73

## ENTRETIEN DU PARE-ÉTINCELLES

1. Retirez le couvercle du silencieux. Voir *Jeu entre soupape et culbuteur*.
2. Retirez la vis retenant le couvercle du pare-étincelles au silencieux à l'aide d'un tournevis à lame plate ou à mèche no. T-20 Torx (Fig. 74).

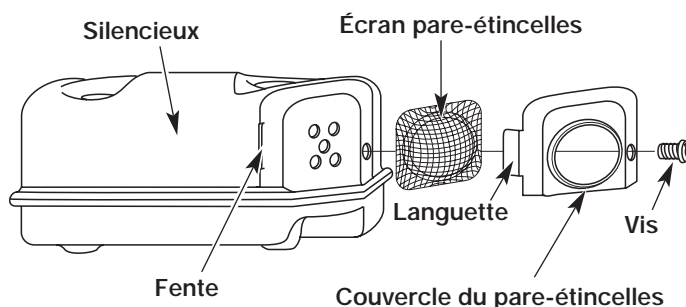


Fig. 74

3. Retirez la languette du couvercle du pare-étincelles hors du silencieux. Retirez le couvercle du pare-étincelles.
4. Retirez l'écran du pare-étincelles du couvercle de celui-ci.
5. Nettoyez l'écran du pare-étincelles avec une brosse métallique ou remplacez-le.
6. Remplacez l'écran, le couvercle et la vis du pare-étincelles.

# ENTRETIEN ET RÉPARATIONS

## NETTOYAGE



**AVERTISSEMENT** : pour éviter des blessures graves, éteignez toujours la désherbeuse et laissez-la refroidir avant tout nettoyage ou entretien.

Nettoyez l'extérieur de l'appareil à l'aide d'une petite brosse. N'utilisez pas de détergents concentrés. Les nettoyants ménagers contenant des huiles aromatiques tel que le pin et le citron, et les solvants tel que le kérosène peuvent endommager le boîtier ou la poignée en plastique. Essuyez toute trace d'humidité à l'aide d'un tissu doux.

## ENTREPOSAGE

- Ne rangez jamais l'appareil plein de carburant dans un lieu où les vapeurs peuvent atteindre une flamme vive ou des étincelles.
- Laissez le moteur refroidir avant de l'entreposer.
- Rangez l'appareil dans un lieu verrouillé pour éviter toute utilisation ou accident indésirable.
- Rangez l'appareil dans un lieu sec et bien aéré.
- Rangez l'appareil hors de la portée des enfants.

## ENTREPOSAGE DE LONGUE DURÉE

1. Videz toute l'essence du réservoir dans un récipient. N'utilisez pas d'essence stockée pendant plus de 60 jours. Éliminez le vieux carburant conformément aux règlements fédéral, provincial et municipal en vigueur.
2. Démarrez le moteur, puis laissez-le tourner jusqu'à ce qu'il cale. Cela permet de s'assurer que le carburateur s'est vidé de son carburant.

3. Laissez le moteur refroidir. Retirez la bougie et versez environ 30 ml (1 oz) d'huile moteur de qualité dans le cylindre. Tirez lentement sur la corde de démarrage pour bien distribuer l'huile. Remplacez la bougie.

**REMARQUE** : Retirez la bougie et videz toute l'huile du cylindre avant de mettre en marche la désherbeuse après une période d'entreposage.

4. Changez l'huile. Voir *Changement d'huile*. Éliminez la vieille huile conformément aux règlements fédéral, provincial et municipal en vigueur.
5. Nettoyez soigneusement l'appareil et vérifiez qu'il ne comporte pas de pièces desserrées ou endommagées. Réparez ou remplacez les pièces endommagées, puis serrez les vis, écrous et boulons desserrés. L'appareil est alors prêt pour l'entreposage.

## TRANSPORT

- Laissez le moteur refroidir avant le transport.
- Vidangez tout le carburant de l'appareil.
- Serrez le bouchon du réservoir avant le transport.
- Attachez bien l'appareil lors du transport.

# DÉPANNAGE

## LE MOTEUR REFUSE DE DÉMARRER

### CAUSE

La commande Marche/Arrêt Stop est en position ARRÊT  
Réservoir de carburant vide  
La poire d'amorçage n'a pas été pressée assez fort  
Carburant vieux  
Bougie encrassée  
Pare-étincelles colmaté

### SOLUTION

Mettez-la en position MARCHÉ  
Remplissez-le de carburant frais  
Pressez-la complètement et lentement de 10 fois  
Drainez le réservoir/ajoutez du carburant frais  
Remplacez ou nettoyez-la  
Nettoyez ou remplacez le pare-étincelles

## LE MOTEUR REFUSE DE SE METTRE AU RALENTI

### CAUSE

Filtre à air bouché  
Carburant vieux  
Mauvais réglage du carburateur

### SOLUTION

Remplacez ou nettoyez-le  
Drainez le réservoir/ajoutez du carburant frais  
Ajustez selon l'instruction

## LE MOTEUR REFUSE D'ACCÉLÉRER

### CAUSE

Carburant vieux  
Mauvais réglage du carburateur  
Accessoire de coupe engorgé d'herbes  
Filtre à air sale  
Pare-étincelles colmaté

### SOLUTION

Drainez le réservoir/ajoutez du carburant frais  
Faites-le régler par un concessionnaire agréé  
Arrêtez le moteur et nettoyez l'accessoire  
Remplacez ou nettoyez-le  
Nettoyez ou remplacez le pare-étincelles

## LE MOTEUR MANQUE DE PUISSANCE OU SE CALE DURANT LA COUPE

### CAUSE

Carburant vieux  
Mauvais réglage du carburateur  
Bougie encrassée  
Pare-étincelles colmaté

### SOLUTION

Drainez le réservoir/ajoutez du carburant frais  
Faites-le régler par un concessionnaire agréé  
Remplacez ou nettoyez-la  
Nettoyez ou remplacez le pare-étincelles

## LA TÊTE DE COUPE NE FAIT PAS AVANCER LE FIL

### CAUSE

Accessoire de coupe engorgé d'herbes  
Accessoire de coupe mal aligné  
Moulinet intérieur bloqué  
Tête de coupe sale  
Fil soudé  
  
Fil tordu durant la recharge  
Quantité insuffisante de fil exposée

### SOLUTION

Arrêtez le moteur et nettoyez l'accessoire  
Chargez du fil neuf  
Remplacez le moulinet  
Nettoyez le moulinet intérieur et la bobine extérieure  
Démontez et déposez la partie soudée, et rembobinez le fil  
Démontez puis rembobinez le fil  
Enfoncez le bouton de butée et tirez le fil jusqu'à en extraire 102 mm (4 po) à l'extérieur de l'accessoire de coupe

## LE FIL DE COUPE AVANCE DE MANIÈRE INCONTRÔLÉE

### CAUSE

Présence d'huile dans la tête de coupe

### SOLUTION

Nettoyez l'accessoire de coupe

**Si vous avez besoin d'aide, contactez votre concessionnaire agréé.**

# CARACTÉRISTIQUES

## MOTEUR\*

Type de moteur .....	Refroidi par air, 4-temps
Cylindrée .....	26,2 cc (1,6 po <sup>3</sup> )
Régime de fonctionnement .....	7.200+ tr/min
Régime ralenti .....	2.800 - 3.600 tr/min
Type d'allumage.....	Électronique
Contact d'allumage .....	Interrupteur berceau
Jeu de soupape .....	0,076-0,152 mm (0,003-0,006 po)
Écartement de la bougie.....	0,655 mm (0,025 po)
Lubrification .....	Huile SAE 30
Contenance en huile du carter moteur .....	100 ml (3,4 oz)
Carburant .....	Sans plomb
Carburateur .....	Membrane, toutes positions
Démarrateur.....	Rembobinage automatique
Silencieux.....	Chicane avec protection
Accélérateur.....	À rappel manuel
Capacité du réservoir de carburant .....	355 ml (12 oz)

## ARBRE D'ENTRAÎNEMENT et ACCESSOIRE DE COUPE\*

Manette des gaz .....	Détente à portée du doigt
Poids de l'appareil (sans carburant, avec poignée, et accessoire de coupe).....	5,4 - 6 kg (12-13,5 lb)
Mécanisme de coupe .....	tête de coupe à fil double (BL26BC: Lame de coupe à 4 dents)
Bobine de fil .....	Déclencheur de fil à butée
Diamètre de la bobine de fil .....	76,2 mm (3 po)
BL26BC Diamètre de la bobine de fil .....	101,6 mm (4 po)
Diamètre du fil.....	2,03 mm (0,080 po)
BL26BC Diamètre du fil .....	2,41 mm (0,095 po)
BL26C0 & BL26SS Diamètre du chemin de coupe, accessoire de coupe .....	43,18 cm (17 po)
BL26BC Diamètre du chemin de coupe, accessoire de coupe .....	45,7 cm (18 po)

\*Toutes les spécifications contenues dans ce manuel tiennent compte des dernières informations techniques disponibles au moment de mettre sous presse. Nous nous réservons le droit d'y apporter des modifications à tout moment, sans préavis.

# Garantie portant sur les normes antipollution de l'EPA et la California

## Vos droits et obligations en vertu de cette garantie

Le California Air Resource Board, la Environmental Protection Agency et MTD LLC (MTD) ont le plaisir de présenter la garantie du dispositif antipollution des petits moteurs à usage tout-terrain datant de 2000 et au-delà. Les nouveaux petits moteurs à usage tout-terrain doivent être conçus, construits et équipés pour être conformes aux strictes normes anti-smog. MTD doit garantir le système de contrôle des émissions de votre petit moteur à usage tout-terrain pendant les périodes de temps indiquées ci-dessous à condition que le moteur n'ait pas souffert d'abus, de négligence ou fait l'objet d'un mauvais entretien.

Votre dispositif antipollution peut inclure des pièces diverses tel que le carburateur ou un système d'injection, le dispositif d'allumage et un convertisseur catalytique. Il pourrait aussi inclure des tuyaux, courroies, connecteurs et autres ensembles de pièces relatives aux émissions.

Advenant une situation couverte par la garantie, MTD réparera votre petit moteur à usage tout-terrain sans frais aucun y compris le diagnostic, les pièces et la main d'œuvre.

Les moteurs à usage tout-terrain datant de 2000 et plus sont garantis pendant deux ans. Si une pièce de votre moteur relative aux émissions devenait défectueuse, MTD la réparera ou la remplacera.

## Responsabilités du propriétaire en vertu de cette garantie

- En tant que propriétaire d'un petit moteur à usage tout-terrain, vous êtes responsable des entretiens requis indiqués dans votre manuel de l'utilisateur. MTD recommande que vous conserviez tous les reçus d'entretien de votre petit moteur à usage tout-terrain. MTD ne peut toutefois réfuter votre garantie juste parce que vous n'avez pas les reçus ou si vous ne veillez pas à ce que les travaux d'entretien prévus soient effectués.
- En tant que propriétaire d'un petit moteur à usage tout-terrain, sachez que MTD peut refuser de vous couvrir sous garantie si votre moteur ou si une pièce sont défectueux pour cause d'abus, de négligence, d'entretien incorrect ou de modifications non autorisées.
- Il vous incombe de présenter votre petit moteur à usage tout-terrain à un centre de service agréé MTD dès que le problème fait son apparition. Les réparations sous garantie doivent être achevées dans une durée de temps raisonnable ne dépassant en aucun cas 30 jours.

Si vous avez des questions au sujet de vos droits et responsabilités en vertu de cette garantie, appelez le 1-800-345-8746.

## Garantie du fabricant

- La période de garantie commence à la date où le moteur ou l'équipement est livré à l'acheteur au détail.
- Le fabricant garantit au propriétaire initial et à chaque acheteur subséquent que le moteur est libre de défauts de matériaux et de vices de fabrication pouvant provoquer la défaillance d'une pièce garantie pendant une période de deux ans.
  - Toute réparation ou remplacement d'une pièce garantie devra être effectué sans aucun frais au compte du propriétaire par un centre de service MTD agréé. Pour connaître le centre le plus proche de vous, veuillez contacter MTD à : 1-800-345-8746.
  - Toute pièce garantie dont le remplacement n'est pas prévu dans le cadre des entretiens requis, ou dont uniquement une inspection normale est prévue selon le principe de "réparation ou remplacement au besoin", est garantie pendant la période de garantie. Toute pièce garantie dont le remplacement est prévu dans le cadre des entretiens requis sera garantie pendant la période de temps allant jusqu'à la date du premier remplacement prévu pour cette pièce.
- Le propriétaire ne subira pas de frais relatifs à un travail de diagnostic qui conclut que la pièce garantie est défectueuse si le travail de diagnostic a été effectué chez un centre de service MTD agréé.
- Le fabricant est responsable de tous les dommages occasionnés aux autres composants du moteur par la défaillance d'une pièce encore sous garantie.
- Les défaillances causées par l'abus, la négligence ou un mauvais entretien ne sont pas couvertes par cette garantie.
- L'utilisation d'un ajout ou de pièces modifiées peut justifier le refus d'une réclamation au titre de la garantie. Le fabricant n'est pas responsable des défaillances des pièces garanties découlant de l'utilisation d'ajouts ou de pièces modifiées.
- Pour déposer une réclamation, adressez-vous au centre de service MTD agréé le plus proche. Les services ou réparations sous garantie sont offerts par tous les centres de service MTD agréés.
- Toutes les pièces de rechange approuvées par le fabricant peuvent être utilisées dans le cadre d'un entretien ou d'une réparation sous garantie de pièces relatives au dispositif antipollution et sont fournies sans frais. Toute pièce de rechange équivalente en termes de performances ou de durabilité peut être utilisée lors d'un entretien ou d'une réparation hors garantie et ne diminue pas les obligations qui incombent au fabricant en vertu de la garantie.
- Les composants suivants sont inclus dans la garantie relative au système antipollution du moteur : filtre à air, carburateur, poire d'amorçage, conduites de carburant, alimentation d'arrivée, filtre à carburant, module d'allumage, bougie et silencieux.

# GARANTIE LIMITÉE DU FABRICANT POUR:



La garantie limitée énoncée ci-après est accordée par MTD LLC (« MTD ») et concerne les marchandises neuves achetées et utilisées aux États-Unis, ainsi que dans leurs possessions et territoires.

MTD garantit ce produit contre tout vice de matière ou de façon pendant une période de deux (2) ans à compter de la date d'achat initiale et elle se réserve le choix de réparer ou de remplacer, à titre gratuit, toute pièce présentant un vice de matière ou de façon. Cette garantie limitée ne s'appliquera que dans la mesure où le produit aura été utilisé et entretenu conformément au Guide de l'utilisateur fourni avec le produit et n'aura pas fait l'objet d'un usage inadéquat, abusif, commercial ou négligent, d'un accident, d'un entretien inadéquat, d'une modification, de vandalisme, d'un vol, d'un incendie, de dégâts d'eau ou d'un endommagement résultant d'un autre péril ou d'un désastre naturel. Les dommages résultants de l'installation ou de l'utilisation de tout accessoire ou équipement non approuvé par MTD pour une utilisation avec le(s) produit(s) couvert(s) par le présent guide annuleront la garantie et ce qui concerne les dommages qui en résulteraient éventuellement. La présente garantie est limitée à quatre-vingt-dix (90) jours à compter de la date d'achat au détail initiale pour tout produit MTD utilisé à des fins locatives ou commerciales, ou toute utilisation produisant des revenus.

**POUR L'ENTRETIEN-DÉPANNAGE :** L'Entretien-dépannage au titre de la garantie est disponible, SUR PRÉSENTATION DE PREUVE D'ACHAT, AUPRÈS DU DISTRIBUTEUR AGRÉÉ LOCAL. Pour obtenir le nom du distributeur agréé local, consulter les Pages Jaunes ou se mettre en rapport avec le Service après-vente de MTD LLC. en appelant le 1-800-345-8746 ou en écrivant au P.O. Box 361131, Cleveland OH 44136-0019 ou en appelant le 1-800-668-1238 au Canada. Aucun produit retourné à l'usine sans permission écrite préalable du service après-vente de MTD LLC ne sera accepté.

**La garantie limitée n'offre aucune couverture dans les cas suivants :**

- A. Mises au point – Bougies, réglages de carburateur, filtres.
- B. Articles d'usure – Bouton de butée, bobines extérieures, fil de coupe, bobines intérieures, poulie de démarrage, cordes de démarrage, courroies d'entraînement.
- C. MTD n'accorde aucune garantie pour les produits vendus ou exportés des États-Unis, de leurs possessions et territoires, exception faite en ce qui concerne les produits vendus par l'intermédiaire de ses canaux agréés de distribution à l'exportation.

MTD se réserve la droit de modifier ou d'améliorer la conception de tout produit MTD sans assumer l'obligation de modifier tout produit d'une fabrication plus ancienne.

**Aucune garantie implicite, y compris toute garantie de valeur marchande ou d'adaptation à une fin particulière, ne s'applique après la période applicable de garantie expresse écrite ci-dessus concernant les pièces qui sont identifiées. Aucune autre garantie ou caution expresse, écrite ou orale, à l'exception de celle mentionnée ci-dessus, accordée par toute personne ou entité, y compris tout distributeur ou détaillant, concernant tout produit n'engagera la responsabilité de MTD. Pendant la période de la présente garantie, le remède exclusif est la réparation ou le remplacement du produit dans les conditions énoncées ci-dessus. (Certains états ne permettent pas la limitation de la garantie implicite, il est donc possible que la limitation ci-dessus ne s'applique pas à vous.)**

**Les clauses énoncées dans la présente Garantie constituent le recours unique et exclusif inhérent aux ventes. MTD ne sera en aucun cas tenue pour responsable de tout dommage indirect ou consécutif ou de dommages comprenant, entre autres mais pas seulement, les dépenses encourues du fait du recours à des services de remplacement ou de substitution pour l'entretien des pelouses, le transport ou des frais connexes, ou les frais entraînés par une location destinée à remplacer provisoirement un produit sous garantie. (Certains états ne permettent pas la limitation de la garantie implicite, il est donc possible que la limitation ci-dessus ne s'applique pas à vous.)**

Aucun recouvrement, quel qu'il soit, ne sera d'un montant supérieur au prix du produit vendu. Toute modification des dispositifs de sécurité du produit annulera la présente Garantie. Vous assumez tout risque et toute responsabilité résultant de la perte, de l'endommagement ou du préjudice que vous et votre propriété et/ou d'autres et leur propriété pourront encourir du fait de l'utilisation normale, de la mauvaise utilisation ou de l'empêchement d'utiliser le produit.

La présente garantie limitée n'est accordée qu'à l'acheteur initial, au preneur initial ou à la personne à laquelle le produit a été offert.

**Le Droit des États vis à vis de la présente garantie :** la présente garantie vous confère certains droits juridiques, et vous pouvez bénéficier d'autres droits, lesquels varient d'une juridiction à l'autre.

Pour obtenir l'adresse du distributeur agréé le plus proche, composer le : 1-800-345-8746 aux États-Unis ou le 1-800-668-1238 au Canada.

**MTD LLC**  
P.O. Box 361131  
Cleveland, OH 44136-0019



# **Bolens**

by **MTD** <sup>®</sup>

Manuel del  
Dueño



**BL26C0, BL26SS, BL26BC**  
**Recortador de 4 Ciclos a Gasolina**

**IMPORTANTE: LEA LAS REGLAS DE SEGURIDAD E INSTRUCCIONES DETENIDAMENTE**

P/N 769-01703 (2/05)

# INTRODUCCION

## MUCHAS GRACIAS

Gracias por haber adquirido este gran producto. Esta moderna herramienta motriz de exteriores está diseñada para brindarle muchas horas de servicio útil. Usted comprobará que es un artefacto que le ahorrará mucho trabajo. Este manual del operador le brinda instrucciones de operación de fácil comprensión. Lea todo el manual y siga todas las instrucciones para mantener su nueva herramienta motriz de exteriores en las mejores condiciones de funcionamiento.

## REFERENCIAS, ILUSTRACIONES Y ESPECIFICACIONES DEL PRODUCTO

Toda la información, las ilustraciones y las especificaciones contenidas en este manual se basan en la información más reciente disponible en el momento de impresión del manual. Nos reservamos el derecho de hacer cambios en cualquier momento sin aviso previo.

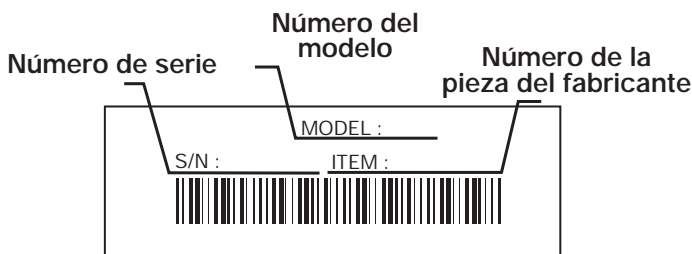
Copyright© 2005 MTD SOUTHWEST INC. Todos los derechos reservados.

## INFORMACION DEL SERVICIO

El servicio de esta unidad, ya sea durante o después del período cubierto por la garantía, debe ser realizado solamente por un proveedor de servicios autorizado y aprobado. Llame **1-800-345-8746** en EE.UU. o al **1-800-668-1238** en Canada para obtener una lista de distribuidores de servicio localizados cerca de usted.

**NO REGRESE SU UNIDAD AL VENDEDOR. PARA SOLICITAR SERVICIO POR LA GARANTIA, DEBERA PRESENTAR PRUEBA DE SU COMPRA.**

Antes de que empiece a ensamblar su nuevo equipo, por favor ubique la placa que contiene el modelo de la unidad y escriba esa información en el espacio en blanco aquí debajo. Aquí debajo se explica la muestra de una placa del modelo.



Copie el número del modelo/  
pieza del fabricante aquí: \_\_\_\_\_

Copie el número  
de serie aquí: \_\_\_\_\_

*Antes de arrancar u operar este equipo, asegúrese de leer y comprender bien este manual.*

ESTE PRODUCTO ESTA CUBIERTO POR UNA O MAS PATENTES DE EE.UU., OTRAS PATENTES EN TRAMITE.

## INDICE DE CONTENIDOS

Llamadas a apoyo al cliente . . . . .	E2
Normas para una operación segura . . . . .	E3
Conozca su unidad . . . . .	E7
Instrucciones de ensamble . . . . .	E8
Información del aceite y del combustible . . . . .	E11
Instrucciones de arranque y apagado . . . . .	E13
Instrucciones de operación . . . . .	E14
Instrucciones de mantenimiento y reparación . . . . .	E17
Limpieza y almacenamiento . . . . .	E28
Cuadro de solución de problemas . . . . .	E29
Especificaciones . . . . .	E30
Lista de Piezas . . . . .	E33-E39
Garantía . . . . .	E40

## PARACHISPAS

**NOTA: Para los usuarios en tierras forestales de los EE.UU. y en los estados de California, Maine, Oregon y Washington.** Todos los terrenos forestales de los EE.UU. y el estado de California (Códigos de Recursos Públicos 4442 y 4443), Oregon y Washington, requieren por decreto, que ciertos motores de combustión interna que se hagan funcionar en zonas boscosas y/o zonas cubiertas por pastizales, estén equipados con un parachispas, que sean mantenidos en buen estado de funcionamiento o que el motor sea construido, esté equipado y sea mantenido para evitar incendios. Consulte los reglamentos pertinentes a esos requisitos con las autoridades estatales o locales. El incumplimiento de esos requisitos puede responsabilizarle o someterle a la imposición de una multa. **Esta unidad fue equipada en la fábrica con un parachispas.** Si requiere sustitución, hay una **Pantalla Parachispas disponible, Pieza # 180890** al contactar el departamento de servicio.

## PROPOSICIÓN 65 DE CALIFORNIA

**! ADVERTENCIA !**

LAS EMISIONES DEL MOTOR DE ESTE PRODUCTO CONTIENEN SUBSTANCIAS QUIMICAS QUE EL ESTADO DE CALIFORNIA CONOCE COMO CAUSANTES DECANCER, DEFECTOS DE NACIMIENTO U OTROS DAÑOS REPRODUCTIVOS.

# NORMAS PARA UNA OPERACION SEGURA

Los símbolos de seguridad se utilizan para llamar su atención sobre posibles peligros. Los símbolos de seguridad y sus explicaciones merecen toda su atención y comprensión. Los símbolos de seguridad no eliminan ningún peligro por sí mismos. Las instrucciones o advertencias que ofrecen no substituyen las medidas adecuadas de prevención de accidentes.

SIMBOLO	SIGNIFICADO
---------	-------------



## ALERTA DE SEGURIDAD:

Indica peligro, advertencia o precaución. Debe prestar atención para evitar sufrir graves lesiones personales. Puede ser utilizado junto con otros símbolos o figuras.

**NOTA:** Le ofrece información o instrucciones que son esenciales para la operación o mantenimiento del equipo.

Lea el manual del operador y siga todas las advertencias e instrucciones de seguridad. De no hacerlo, el operador y/o los espectadores pueden sufrir graves lesiones.

SI TIENE PREGUNTAS, LLAME AL 1-800-345-8746 EN EE.UU. O AL 1-800-668-1238 en CANADA

SIMBOLO	SIGNIFICADO
---------	-------------



**PELIGRO:** El no obedecer una advertencia de seguridad puede conducir a que usted u otras personas sufran graves lesiones. Siga siempre las precauciones de seguridad para reducir el riesgo de incendio, descarga eléctrica y lesiones personales.



**ADVERTENCIA:** El no seguir una advertencia de seguridad puede conducir a que usted u otras personas sufran lesiones. Siga siempre las precauciones de seguridad para reducir el riesgo de incendio, descarga eléctrica y lesiones personales.



**PRECAUCION:** El no seguir una advertencia de seguridad puede conducir a daño patrimonial o a que usted u otras personas sufran lesiones personales. Siga siempre las precauciones de seguridad para reducir el riesgo de incendio, descarga eléctrica y lesiones personales.

## • IMPORTANTE INFORMACION DE SEGURIDAD •

### LEA TODAS LAS INSTRUCCIONES ANTES DE LA OPERACION

- Lea todas las instrucciones con cuidado. Conozca bien los controles y el uso correcto de la unidad.
- No opere esta unidad si está cansado, enfermo, o bajo los efectos del alcohol, drogas o medicamentos.
- Los niños y los adolescentes menores de 15 años no deben operar las unidades, excepto por los adolescentes guiados por un adulto.
- Inspeccione la unidad antes de utilizarla. Cambie las partes dañadas. Verifique si existen pérdidas de combustible. Asegúrese de que los sujetadores estén bien colocados y asegurados. Cambie las partes accesorias de corte que estén quebradas, cascadas o dañadas de cualquier forma. Asegúrese de que el accesorio de corte está bien instalado y ajustado con firmeza. Asegúrese de que la protección accesorio de corte esté bien conectada y colocada según se recomienda.
- Use siempre la línea de repuestos de 2,41 mm, 0,095 pulg (BL26BC) o 2,03 mm, 0,080 pulg (BL26C0 & BL26SS) del fabricante del equipo original. No use nunca línea reforzada con metal, alambre, cadena ni sogas, etc. Estas pueden desprenderse y convertirse en un proyectil peligroso.
- Tenga en cuenta el riesgo de lesiones en la cabeza, manos y pies.

- Limpie el área de corte antes de cada uso. Retire todos los objetos como rocas, vidrios rotos, clavos, alambre o cuerda los cuales pueden ser despedidos o enredarse en el accesorio de corte. Aleje a todos los niños, espectadores y animales domésticos. Mantenga todos los niños, espectadores y animales domésticos a un radio de por lo menos 15 m (50 pies); aún así puede existir un riesgo de objetos despedidos contra los espectadores. Los espectadores deben usar protección para sus ojos. Si alguien se le acerca, pare el motor y el accesorio de corte de inmediato.
- Oprima el control del regulador y verifique que regrese automáticamente a la posición de mínima. Haga todos los ajustes o reparaciones antes de usar la unidad.

### ADVERTENCIAS DE SEGURIDAD PARA LOS RECORTADORES A GASOLINA



**ADVERTENCIA:** La gasolina es muy inflamable y sus gases pueden explotar si se encienden. Tome las siguientes precauciones:

- Guarde el combustible en envases que hayan sido diseñados y aprobados para el almacenamiento de dichos materiales.

# NORMAS PARA UNA OPERACIÓN SEGURA

- Antes de llenar el tanque de combustible, apague siempre el motor y espere que se enfríe. No retire nunca la tapa del tanque de combustible ni cargue combustible mientras el motor esté caliente. No opere nunca la unidad sin la tapa del combustible colocada firmemente en su lugar. Afloje la tapa del combustible lentamente para disipar la presión del tanque.
- Cargue el combustible en un área exterior bien ventilada donde no haya chispas ni llamas. Quite lentamente la tapa del combustible sólo después de apagar el motor. No fume mientras carga el combustible. Limpie de inmediato todo el combustible que se haya derramado.
- Evite crear una fuente de encendido por combustible derramado. No arranque el motor hasta que se hayan disipado los vapores del combustible.
- Aleje la unidad a por lo menos 9,1 m (30 pies), del lugar de carga de combustible antes de arrancar el motor. No fume, mantenga las chispas y las llamas abiertas lejos del área mientras carga el combustible u opera la unidad.

## DURANTE LA OPERACION

- No arranque ni opere la unidad en una sala o edificio cerrado. Los gases de escape de monóxido de carbono pueden ser letales en un área cerrada. Opere esta unidad sólo en un área exterior bien ventilada.
- Use lentes o gafas de protección que cumplan con las normas ANSI Z87.1, y protección para sus oídos/audición mientras opere esta unidad. Use siempre una máscara facial o para protegerse contra el polvo si la operación levanta polvo.
- Use pantalones largos y gruesos, botas, guantes y camisa de manga larga. No use ropa holgada, alhajas, pantalones cortos, sandalias ni esté descalzo. Sostenga el cabello sobre el nivel de los hombros.
- La protección accesoria de corte debe estar siempre colocada en su lugar mientras opere la unidad. No opere la unidad con las dos líneas de corte extendidas, y la línea correcta instalada. No extienda la línea de corte más allá de la longitud de la protección.
- Esta unidad cuenta con un embrague. El accesorio de corte permanece estacionario cuando el motor está en marcha lenta. Si no lo hace, haga ajustar la unidad por un técnico de servicio autorizado.
- Ajuste la manija a su tamaño de modo que le brinde el mejor agarre.
- Asegúrese de que el accesorio de corte no está en contacto con ningún objeto antes de arrancar la unidad.
- Use la unidad únicamente con la luz del día o con buena luz artificial.
- Evite arrancar la unidad accidentalmente. Colóquese en posición de inicio siempre que tire de la cuerda de arranque. El operador y la unidad deben estar en una posición estable al comenzar. Lea las instrucciones de Arranque y Apagado.
- Use la herramienta adecuada. No use esta unidad para ninguna tarea para la cual no ha sido diseñada.
- No se estire demasiado. Mantenga siempre una posición y equilibrio adecuados.
- Sostenga siempre la unidad con ambas manos mientras esté en funcionamiento. Sostenga con firmeza tanto el mango como la manija auxiliar.
- Mantenga las manos, la cara y los pies lejos de todas las partes móviles. No intente tocar ni detener el accesorio de corte mientras gira.
- No toque el motor, el bastidor del engranaje ni el silenciador. Estas partes se calientan mucho con la operación. Luego de apagar la unidad, permanecen calientes durante un tiempo breve.
- No opere el motor a una velocidad mayor que la necesaria para cortar, recortar o recortar los bordes. No haga funcionar el motor a alta velocidad mientras no está cortando.
- Apague siempre el motor cuando demore el corte o mientras camina entre zonas de corte.
- Si golpea o se enreda con algún objeto extraño, apague el motor de inmediato y verifique si hay daños. Repare todos los daños antes de volver a intentar operar la unidad. No opere la unidad si tiene piezas flojas o dañadas.
- Apague el motor para realizar todo el mantenimiento, reparaciones o cambio del accesorio de corte u otros accesorios.
- Use sólo piezas y accesorios de repuesto del fabricante del equipo original para esta unidad. Puede obtenerlos en su proveedor de servicio autorizado. El uso de piezas y accesorios que no son equipo original; puede causar graves lesiones al operador o el daño de su unidad, y la cancelación de su garantía.
- Mantenga la unidad libre de vegetación y otros materiales. Pueden alojarse entre el accesorio de corte y la protección.
- Para reducir el riesgo de incendio, cambie los silenciadores y amortiguadores de chispas defectuosos, mantenga el motor y el silenciador libre de pasto, hojas, grasa excesiva o acumulaciones de carbono.

# NORMAS PARA UNA OPERACIÓN SEGURA

## BL26BC SOLAMENTE: MIENTRAS USA LA CUCHILLA DE CORTE

- Lea y comprenda todas las advertencias de seguridad antes de operar esta unidad.
- Use siempre el arnés del hombro mientras opere el accesorio de la cuchilla de corte.
- Mantenga siempre la manija entre el operador y el accesorio o cuchilla de corte.
- NUNCA corte con la cuchilla ubicada a más de 76 cm (30 pulgadas) o más de altura sobre el nivel del suelo.
- Cuando la cuchilla giratoria hace contacto con un objeto que no corta de inmediato, puede ocurrir un impulso de la cuchilla. El impulso de la cuchilla puede ser lo suficientemente violento como para hacer que la unidad y/o el operador sean impulsados en cualquier dirección, y posiblemente perder el control de la unidad. El impulso de la cuchilla puede ocurrir si la cuchilla se tropieza, se trava o se atasca. Es más posible que esto ocurra en áreas donde es difícil ver el material que está cortando.
- Cuando opere con la cuchilla, no corte nada que tenga un grosor de más de 13 mm (1/2 pulgada) ya que podría causar una reacción violenta.
- No intente tocar ni detener la cuchilla mientras está girando.
- Una cuchilla en deslizamiento puede causar graves lesiones mientras continúa girando luego de apagar el motor o de soltar el gatillo del regulador. Mantenga buen control hasta que la cuchilla se haya detenido por completo.
- No haga funcionar la unidad a alta velocidad mientras no está cortando.
- Si golpea o se enreda con un objeto extraño, detenga el motor de inmediato y verifique si hay daños. Haga reparar todos los daños antes de intentar volver a operar la unidad. No opere esta unidad con la cuchilla doblada, cascada ni desafilada. Descarte las cuchillas dobladas, torcidas, cascadas o rotas.
- No afile la cuchilla de corte. Si afila la cuchilla puede desprenderse la punta durante su uso. Esto puede causar graves lesiones personales. Cambie la cuchilla.

- No use la cuchilla de corte para bordes o como recortadora de borde, puede conducir a que usted u otras personas sufran graves lesiones. Use la cuchilla de corte solamente para el propósito descrito en este manual.
- Si siente una vibración excesiva, apague el motor DE INMEDIATO. la vibración indica que hay problemas. Inspeccione si hay tuercas o pernos flojos o daños antes de continuar. Repare o cambie las partes afectadas según sea necesario.
- Limpie las cuchillas de corte con un limpiador doméstico para eliminar toda acumulación de goma. Aceite la cuchilla con aceite de máquina para evitar que se oxide.
- Guarde la cuchilla de corte bajo llave en un área adecuada para evitar que sea utilizada por personas no autorizadas y se dañe.

## OTRAS ADVERTENCIAS DE SEGURIDAD

- No guarde nunca la unidad con combustible en el tanque en un edificio donde los gases puedan llegar a una llama abierta o a una chispa.
- Espere que el motor se enfríe antes de guardar o transportar la unidad. Asegúrese de que la unidad esté segura al transportarla.
- Guarde la unidad bajo llave en un lugar adecuado y seco para evitar que sea usada por personas no autorizadas y se dañe, fuera del alcance de los niños.
- Nunca moje ni rocíe la unidad con agua ni con ningún otro líquido. Mantenga las manijas secas, limpias y sin residuos. Limpie la unidad luego de cada uso, lea las instrucciones de Limpieza y Almacenamiento.
- Guarde estas instrucciones. Consúltelas con frecuencia y utilícelas para enseñar a otros usuarios. Si le presta esta unidad a alguien, préstele también estas instrucciones.

## CONSERVE ESTAS INSTRUCCIONES

# NORMAS PARA UNA OPERACIÓN SEGURA

## SIMBOLOS DE SEGURIDAD E INTERNACIONALES

Este manual del operador describe los símbolos y figuras de seguridad e internacionales que pueden aparecer en este producto. Lea el manual del operador para obtener información completa acerca de la seguridad, ensamble, operación y mantenimiento y reparación.

### SIMBOLO

### SIGNIFICADO



#### • SIMBOLO DE ALERTA DE SEGURIDAD

Indica peligro, advertencia o precaución. Puede ser utilizado junto con otros símbolos o figuras.



#### • ADVERTENCIA - LEA EL MANUAL DEL OPERADOR

Lea el manual del operador y siga todas las advertencias e instrucciones de seguridad. De no hacerlo, el operador y/o los espectadores pueden sufrir graves lesiones.



#### • USE PROTECCION OCULAR Y AUDITIVA

**ADVERTENCIA :** Los objetos arrojados por la unidad y el ruido fuerte pueden causar graves lesiones oculares y pérdida auditiva. Utilice protección ocular que cumpla con las normas ANSI Z87.1 y protección auditiva cuando opere esta unidad. Use una careta completa cuando la necesite.



#### • MANTENGA ALEJADOS A LOS ESPECTADORES

**ADVERTENCIA :** Mantenga a todos los espectadores, en especial a niños y animales domésticos a por lo menos 50 pies (15 m) del área de corte.



#### • COMBUSTIBLE SIN PLOMO

Use siempre combustible limpio, nuevo y sin plomo.



#### • INDICADOR DE ACEITE

Consulte el manual del operador para obtener información acerca del tipo correcto de aceite.



#### • LOS OBJETOS DESPEDIDOS Y LA CUCHILLA ROTATIVA PUEDEN CAUSAR GRAVES LESIONES

**ADVERTENCIA:** No opere esta unidad si la protección plástica de línea no está colocada en su lugar. Manténgase alejado del accesorio de corte giratorio.

### SIMBOLO

### SIGNIFICADO



#### • CONTROL DE ENCENDIDO Y APAGADO

ENCENDIDO /ARRANQUE /MARCHA



#### • CONTROL DE ENCENDIDO Y APAGADO

APAGADO o PARADO



#### • ADVERTENCIA DE SUPERFICIE CALIENTE

No toque un silenciador ni un cilindro caliente. Puede quemarse. Estas partes se calientan mucho con el uso. Luego de apagarse permanecen calientes durante un corto tiempo.



#### • CONTROL DEL OBTURADOR

- 1• Posición de obturación **COMPLETA**
- 2• Posición de obturación **PARCIAL**
- 3• Posición de **MARCHA**



#### • CUCHILLA AFILADA

**ADVERTENCIA :** La protección del accesorio de corte contiene una cuchilla afilada. Para prevenir graves lesiones, no toque la cuchilla.



#### • CORTADORAS DE MALEZAS • Cambie la cuchilla desafilada

No afile la cuchilla de corte. El afilar la cuchilla puede causar que la punta se desprenda mientras está en uso. Esto puede dar lugar a graves lesiones personales.



#### • SEGURIDAD DE LA RECORTADORA Y CORTADORA DE MALEZAS

**ADVERTENCIA:** Los objetos que salen despedidos y la cortadora giratoria pueden causar graves lesiones. Mantenga a los espectadores, especialmente a los niños y animales domésticos a no menos de 15 m (50 pies) de distancia del área de corte. Debe utilizar el protector accesorio de corte mientras use el accesorio de corte de la recortadora.

# CONOZCA SU UNIDAD

## APLICACIONES

Como recortador:

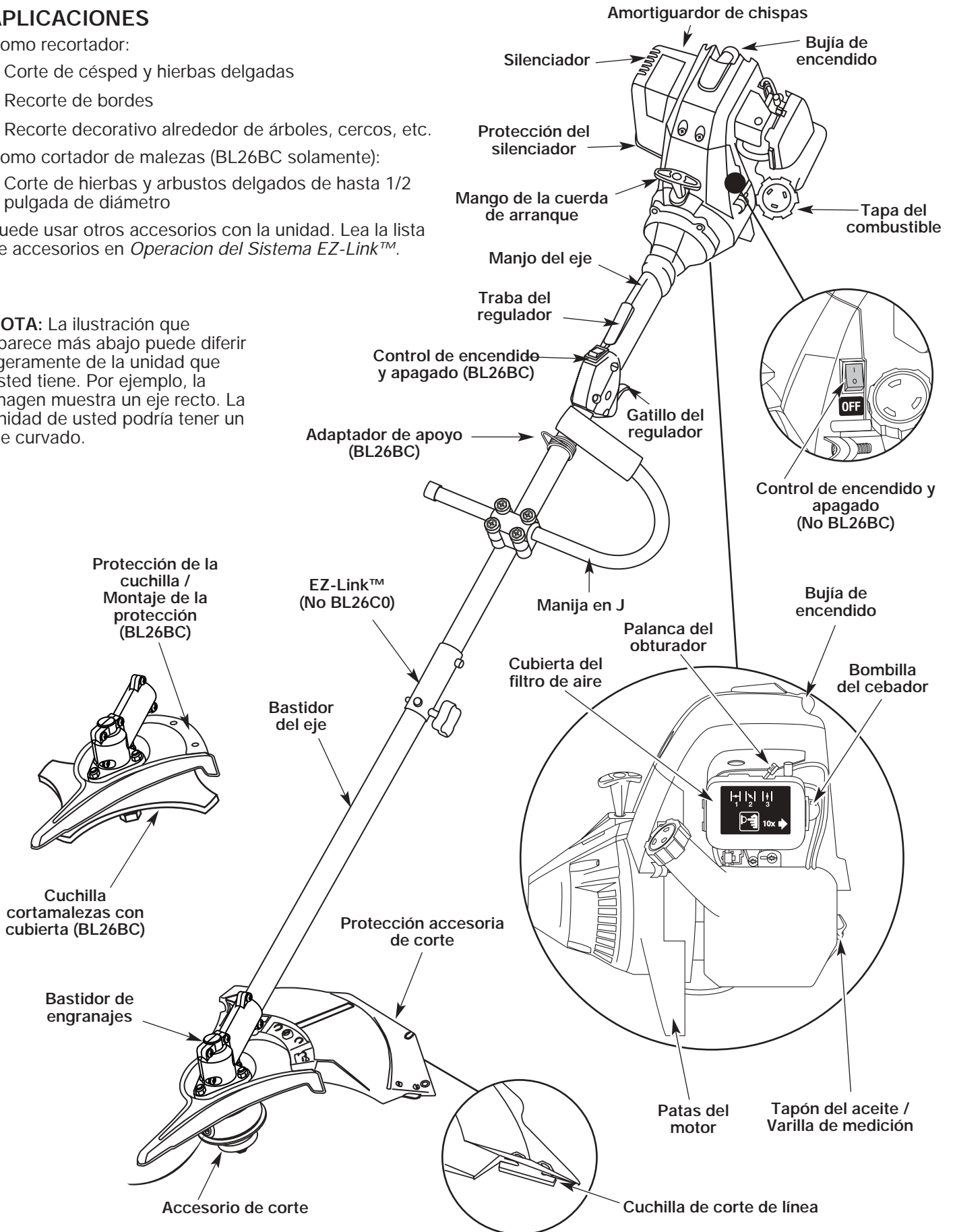
- Corte de césped y hierbas delgadas
- Recorte de bordes
- Recorte decorativo alrededor de árboles, cercos, etc.

Como cortador de malezas (BL26BC solamente):

- Corte de hierbas y arbustos delgados de hasta 1/2 pulgada de diámetro

Puede usar otros accesorios con la unidad. Lea la lista de accesorios en *Operación del Sistema EZ-Link™*.

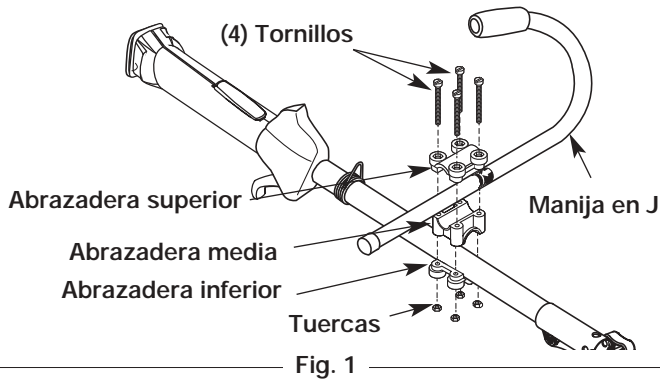
**NOTA:** La ilustración que aparece más abajo puede diferir ligeramente de la unidad que usted tiene. Por ejemplo, la imagen muestra un eje recto. La unidad de usted podría tener un eje curvado.



# INSTRUCCIONES DE ENSAMBLAJE

## INSTALACIÓN Y AJUSTE DE LA MANIJA EN J

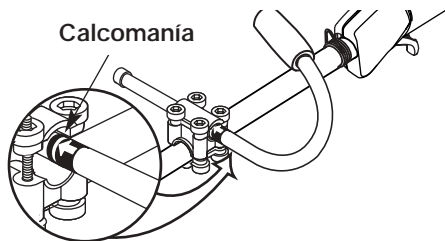
1. Coloque la manija en J entre la abrazadera superior y la abrazadera media (Fig. 1).



2. Mientras sostiene las tres piezas juntas, instale los cuatro (4) tornillos a través de la abrazadera superior en la abrazadera media.

**NOTA:** Los orificios de la abrazadera superior y media se alinearán sólo cuando se ensamble en forma correcta.

3. Coloque las abrazaderas y la manija en J por encima del bastidor del eje y sobre la abrazadera inferior.
4. Sostenga cada tuerca hexagonal en el hueco de la abrazadera inferior con un dedo. Comience a colocar los tornillos con un destornillador Phillips grande. No los apriete hasta ajustar la manija.
5. Deslice la manija en J hacia dentro o hacia fuera hasta que la flecha o línea blanca de la calcomanía toque el ensamble de abrazaderas (Fig. 2).



6. Mientras sostiene la unidad en posición de operación (Fig. 26), coloque la manija en J en la posición que le brinde el mejor agarre.
7. Ajuste los tornillos de la abrazadera en forma pareja hasta que la manija en J esté firme.

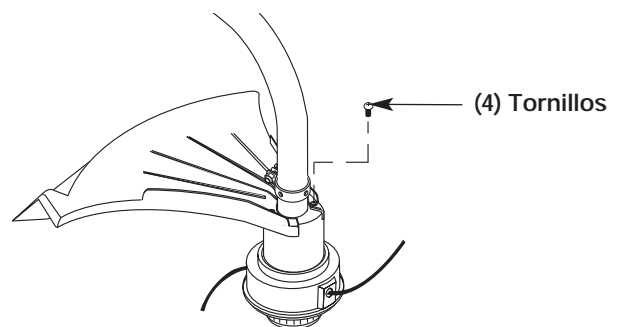
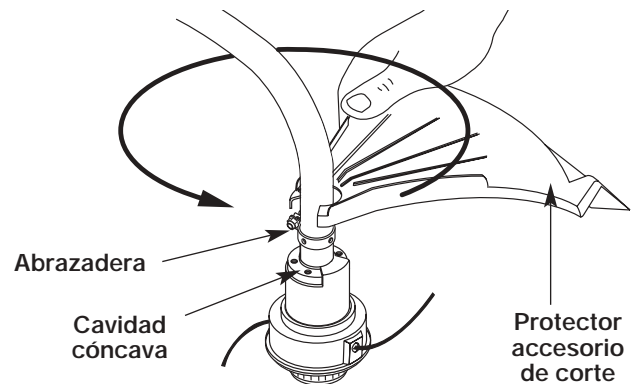
## BL26C0: INSTALACION DEL PROTECTOR ACCESORIO DE CORTE

Siga las siguientes instrucciones si el protector accesorio de corte no está instalado en su unidad.



**ADVERTENCIA:** No opere nunca la recortadora sin el protector accesorio de corte colocado en su lugar para evitar graves lesiones personales.

1. Coloque el protector accesorio de corte sobre el bastidor del eje por encima del ensamble de la abrazadera (Fig. 3).
2. Empuje el protector accesorio de corte hacia abajo hasta la parte superior del ensamble del accesorio de corte y luego gire el protector accesorio de corte hasta que los orificios de los tornillos se alineen y la protección calza en la cavidad cóncava (Fig. 3).
3. Instale los cuatro (4) tornillos con un destornillador Phillips (Fig. 4).





# INSTRUCCIONES DE ENSAMBLAJE

## BL26BC: INSTALACIÓN DEL ARNÉS



**ADVERTENCIA:** Use siempre el arnés para el hombro cuando use la cuchilla de corte a fin de evitar graves lesiones personales.

1. Pase la correa a través del centro de la hebilla.
2. Pase la correa sobre la barra transversal y hacia abajo a través de la ranura de la hebilla (Fig. 5).
3. Coloque el arnés por encima de su cabeza y sobre su hombro. Abroche en el adaptador de apoyo (Fig. 5).
4. Ajuste la longitud de acuerdo a la medida del operador. Tire de la orejeta para alargarlo y tire de la correa para acortarlo (Fig. 6).

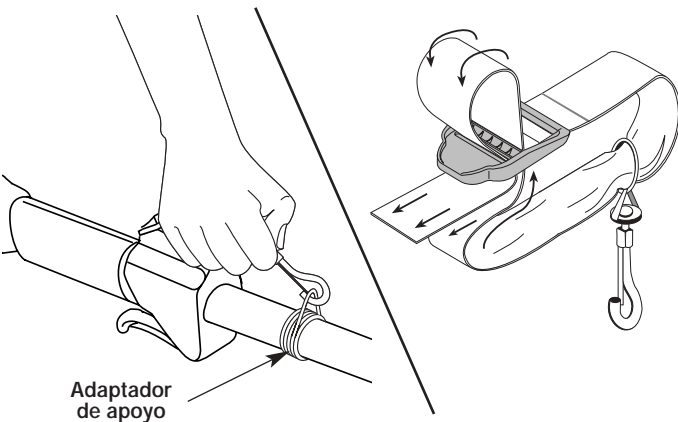


Fig. 5

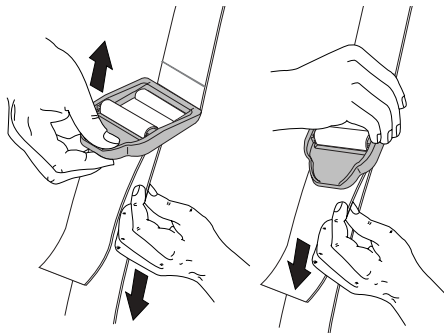


Fig. 6

## BL26BC: REMOCIÓN E INSTALACIÓN DEL PROTECTOR ACCESORIO DE CORTE



**ADVERTENCIA:** El protector accesorio de corte NO debe estar instalado cuando use la unidad con una cuchilla. Saque el protector accesorio de corte antes de sacar o instalar la cuchilla.

### Saque el protector accesorio de corte cuando use la unidad como cortador de malezas

Saque el protector accesorio de corte del montaje del protector retirando los tres (3) tornillos con un destornillador de vástago plano (Fig. 7). Guarde las piezas para usarlas en el futuro.

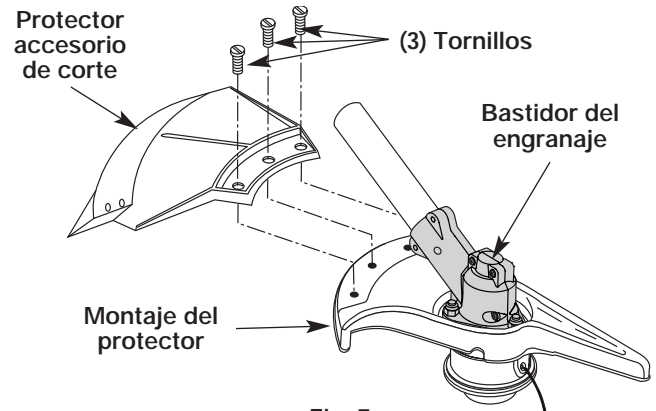


Fig. 7

Instale el protector accesorio de corte cuando use la unidad como recortador de césped.



**ADVERTENCIA:** Para evitar graves lesiones personales, el protector accesorio de corte DEBE estar instalado en todo momento cuando use la unidad como recortador de césped.

Instale el protector accesorio de corte en el montaje del protector insertando 3 tornillos en el montaje del protector. Ajuste bien con un destornillador de vástago plano (Fig. 7).

## BL26BC: REMOCIÓN DEL ACCESORIO DE CORTE/ INSTALACIÓN DE LA CUCHILLA DE CORTE

**NOTA:** Para facilitar la remoción o la instalación de la cuchilla de corte, coloque la unidad sobre el suelo o sobre un banco de trabajo.



**ADVERTENCIA:** El bastidor del engranaje se calienta mucho con el uso y puede causar lesiones al operador. Cuando la unidad se apaga, permanece caliente durante un rato. No toque el bastidor del engranaje hasta que se haya enfriado.

### Remoción del protector accesorio de corte

Lea *Remoción e Instalación del Protector Accesorio de Corte*.

### Remoción del accesorio de corte

1. Alinee el orificio del buje del eje con la ranura de la varilla de cierre e inserte la varilla de cierre en el orificio del buje del eje (Fig. 8).

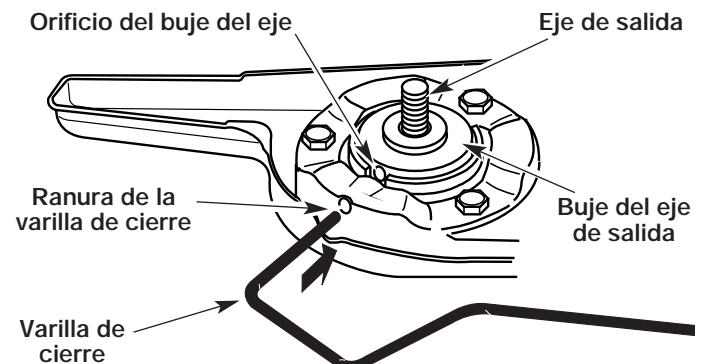


Fig. 8

# INSTRUCCIONES DE ENSAMBLAJE

2. Sostenga la varilla de cierre en su lugar junto al brazo de la unidad (Fig. 9).
3. Mientras sostiene la varilla de cierre, saque el accesorio de corte girando en sentido horario hacia afuera del eje de salida (Fig. 10). Guarde el accesorio de corte para su uso futuro.

**NOTA:** El retén de la cuchilla debajo del accesorio de corte se utilizará cuando instale la cuchilla de corte.

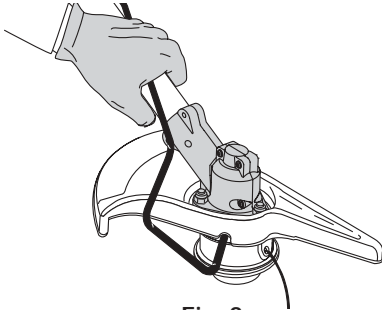


Fig. 9

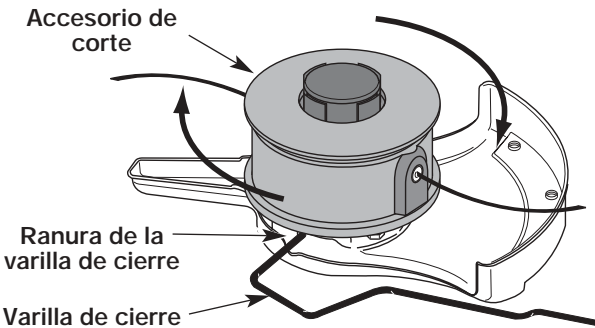


Fig. 10

## Instalación de la cuchilla de corte



**ADVERTENCIA:** Para evitar graves lesiones personales, use siempre guantes cuando maneje o instale la cuchilla.

4. Coloque la cuchilla de corte en el buje del eje de salida (Fig. 11).

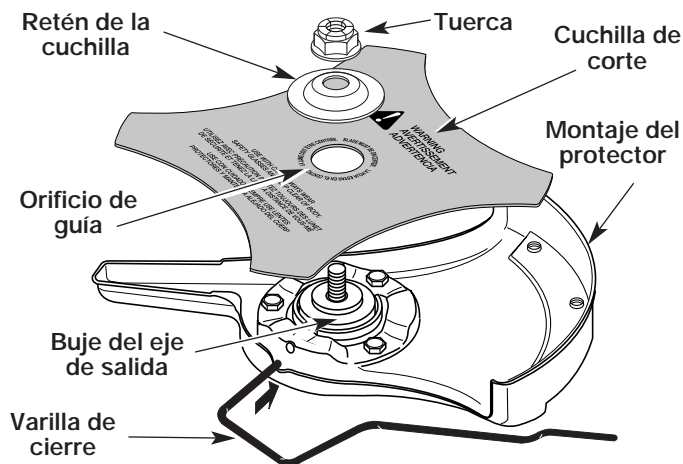


Fig. 11

5. Verifique que la cuchilla de corte esté centrada en el estribo de guía y quede plana contra el buje del eje de salida (Fig. 12).



**ADVERTENCIA:** Si la cuchilla de corte no está centrada, la unidad vibrará y la cuchilla puede desprenderse y salir volando, lo cual puede causar graves lesiones personales.

Estribo de guía

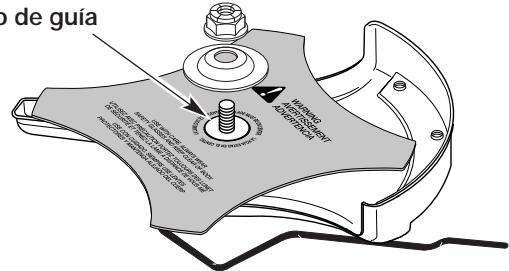


Fig. 12

6. Alinee el orificio del buje del eje con la ranura de la varilla de cierre e inserte la varilla de cierre en el orificio del buje (Fig. 8).
7. Coloque el retén de la cuchilla y la tuerca en el eje de salida. Verifique que la cuchilla esté bien instalada.
8. Ajuste la tuerca en sentido antihorario contra la cuchilla mientras sostiene la varilla de cierre;
  - Si usa una llave de torsión y un casquillo de 16mm (5/8 de pulgada), ajuste a: **325- 335 pulg•libra, 27- 28 pies•libra, 37 -38 N•m.**
  - Si no tiene una llave de torsión, use una llave de boca cerrada de 5/8 de pulgada o de casquillo, gire la tuerca hasta que el retén de la cuchilla esté ajustado contra el buje del eje. Verifique que la cuchilla esté bien instalada, luego gire la tuerca 1/4 a 1/2 vuelta más en sentido antihorario (Fig. 13).

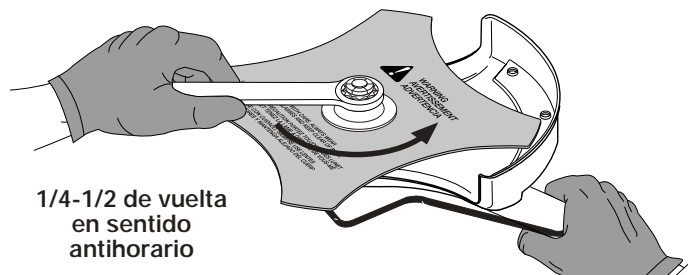


Fig. 13

9. Saque la varilla de cierre de la ranura de la varilla de cierre.



**ADVERTENCIA:** Para evitar graves lesiones personales o el daño de la unidad, no arranque ni use esta unidad con la varilla de cierre en la ranura de la varilla de cierre.



**ADVERTENCIA:** No afile la cuchilla de corte. Afilar la cuchilla puede causar que la punta se desprenda durante el uso. Esto puede causar graves lesiones personales. Cambie la cuchilla.

# INFORMACION DEL ACEITE Y DEL COMBUSTIBLE

## REMOCIÓN DE LA CUCHILLA DE CORTE E INSTALACIÓN DEL ACCESORIO DE CORTE



**ADVERTENCIA:** Si la cuchilla de corte no está centrada, la unidad vibrará y la cuchilla puede desprenderse y salir volando, lo cual puede causar graves lesiones.

### Remoción de la cuchilla de corte

1. Alinee el orificio del buje del eje con la ranura de la varilla de cierre e inserte la varilla de cierre en el orificio del buje (Fig. 8).
2. Sostenga la varilla de cierre en su lugar junto al brazo de la unidad (Fig. 14).
3. Mientras sostiene la varilla de cierre, afloje la tuerca de la cuchilla girándola en sentido horario con una llave de casquillo o de boca cerrada de 5/8 de pulgada (Fig. 14).

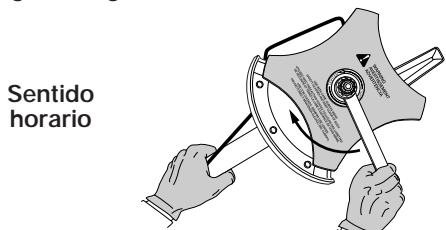


Fig. 14

4. Saque la tuerca, el retén de la cuchilla y la cuchilla. Guarde la tuerca y la cuchilla juntas en un lugar seguro para su uso futuro. Guarde fuera del alcance de los niños.

### Instalación del accesorio de corte

5. Alinee el orificio del buje del eje con la ranura de la varilla de cierre e inserte la varilla de cierre en el orificio del buje del eje (Fig. 8). Coloque el retén de la cuchilla en el eje de salida con la superficie plana contra el buje del eje de salida según se ilustra en la Fig. 15. Enrosque el accesorio de corte en sentido antihorario en el eje de salida. Ajuste bien.

**NOTA:** El retén de la cuchilla debe estar instalado en el eje de salida en la posición ilustrada para que el accesorio de corte funcione en forma correcta.

### Accesorio de corte

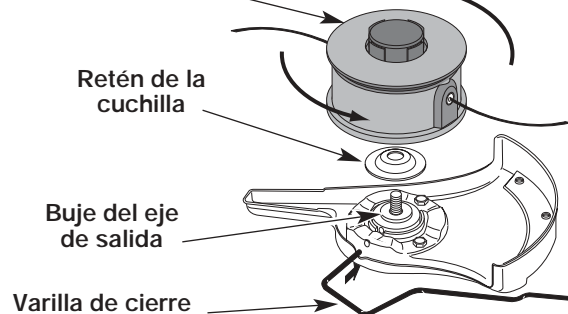


Fig. 15

6. Saque la varilla de cierre.
7. Instale el protector accesorio de corte. Lea *Remoción e instalación del protector accesorio de corte*.



**ADVERTENCIA:** Para evitar graves lesiones personales, el protector accesorio de corte DEBE estar instalado en todo momento cuando use la unidad como recortador de césped.



**ADVERTENCIA:** EL LLENAR DEMASIADO EL CARTER PUEDE CAUSAR LESIONES PERSONALES GRAVES. No podemos exagerar la importancia del control y mantenimiento del nivel correcto de aceite en el cigüeñal. Verifique el aceite antes de cada uso y cámbielo cuando sea necesario según se indica en la sección de *Cambio del aceite*.

### TIPO DE ACEITE RECOMENDADO

El uso de un aceite del tipo y peso correctos en el cigüeñal es extremadamente importante. Verifique el aceite antes de cada uso y cambie el aceite con frecuencia. Si no usa el aceite correcto, o utiliza aceite sucio, puede causar el desgaste y falla prematuros del motor.

Use un aceite de buena calidad SAE 30 de API (American Petroleum Institute) clase de servicio SG, SF, SH.

### CARGA DE ACEITE EN EL CARTER DEL CIGÜEÑAL: USO INICIAL

**NOTA:** Esta unidad se envía sin carga de aceite. A fin de evitar el daño de la unidad, cargue aceite en el cárter del cigüeñal antes de intentar arrancar la unidad.

Su unidad trae una botella de aceite SAE 30 SF, SG, SH de 100 ml (3,4 onzas fluidas) (Fig. 16).

**NOTA:** Guarde la botella para medir la cantidad correcta de aceite cuando deba cambiarlo en el futuro. Lea *Cambio de Aceite*.

1. Desenrosque la tapa de la botella de aceite y retire el sello de papel que cubre la apertura. Vuelva a colocar la tapa. Corte la punta de la boquilla del embudo (Fig. 16).

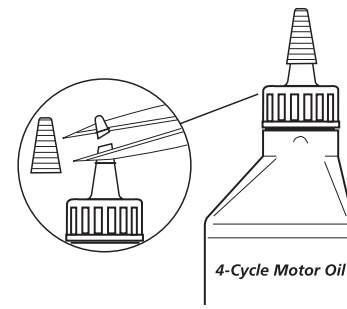


Fig. 16

2. Coloque la unidad sobre una superficie plana.
3. Saque el tapón de aceite/ varilla de medición del cigüeñal (Fig. 17).

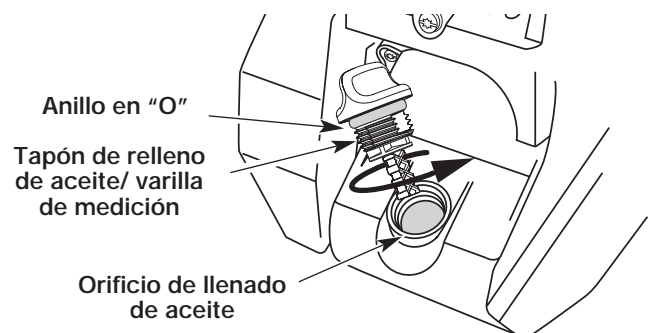


Fig. 17

4. Vierta todo el contenido de la botella de aceite en el cigüeñal (Fig. 18).

# INFORMACION DEL ACEITE Y DEL COMBUSTIBLE

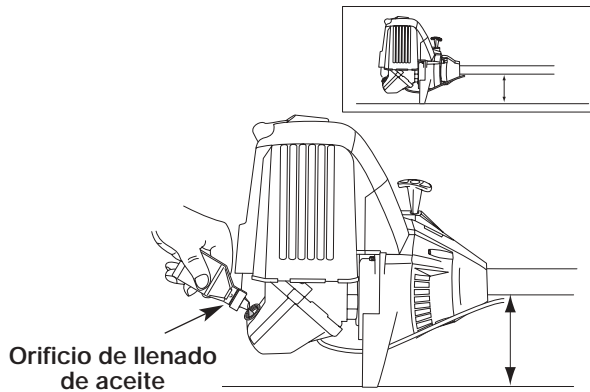


Fig. 18

**NOTA:** No agregue nunca aceite al combustible o al tanque de combustible.

5. Limpie todo el aceite que pueda haberse derramado y vuelva a instalar el tapón del aceite / varilla de medición.

No podemos exagerar la importancia del control y mantenimiento del nivel correcto de aceite en el cigüeñal. Verifique el aceite antes de cada uso y cámbielo cuando sea necesario según se indica en la sección de *Cambio del aceite*.

## TIPO DE COMBUSTIBLE RECOMENDADO

El combustible viejo es la causa principal del mal funcionamiento de la unidad. Asegúrese de usar combustible nuevo, limpio y sin plomo.

**NOTA:** Este es un motor de cuatro ciclos. Para evitar dañar su unidad, **no mezcle el aceite con la gasolina.**

## Definición de los combustibles de mezcla

Los combustibles actuales con frecuencia son una mezcla de gasolina y uno o más oxigenantes como el etano, el metanol o el MTBE (éter). El combustible con mezcla de alcohol absorbe agua. Un porcentaje de agua tan pequeño como el 1% en el combustible puede hacer que el combustible y el aceite se separen. Se forman ácidos mientras está guardado. Cuando use combustible con mezcla de alcohol, use combustible nuevo (almacenado durante menos de 60 días).

## Uso de los combustibles de mezcla

Si decide usar un combustible de mezcla o si su uso es inevitable, le recomendamos que tome las siguientes precauciones:

- Use siempre una mezcla fresca de combustible según lo indica su manual del operador
- Use el aditivo especial de combustible STA-BIL® o uno similar
- Drene el tanque y haga funcionar el motor en seco antes de guardar la unidad

## Uso de aditivos en el combustible

El uso de aditivos en el combustible, como el estabilizador de gasolina STA-BIL® o similar, inhibirá la corrosión y reducirá la formación de depósitos de goma. El uso de aditivos puede evitar que se formen depósitos dañinos en el carburador por hasta ocho (8) meses. Agregue 23 ml (0,8 de onza) de aditivo por galón de combustible de acuerdo a las instrucciones del envase. No agregue NUNCA los aditivos directamente al tanque de combustible de la unidad.

## CARGA DE COMBUSTIBLE EN LA UNIDAD



**ADVERTENCIA:** La gasolina es muy inflamable. Los gases pueden explotar si se encienden. Apague siempre el motor y espere que se enfríe antes de cargar el tanque de combustible. No fume mientras llena el tanque. Mantenga las chispas y las llamas lejos del área.

1. Saque la tapa de la gasolina (Fig. 19).



**ADVERTENCIA:** Saque la tapa del combustible lentamente para evitar lesionarse con el rociado del combustible. No opere nunca la unidad sin la tapa del combustible firmemente colocada en su lugar.

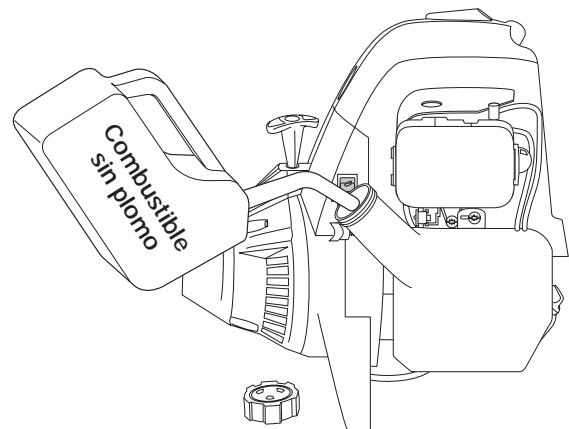


Fig. 19

2. Coloque el pico del recipiente de gasolina en el orificio de llenado del tanque de gasolina (Fig. 19) y llene el tanque.



**ADVERTENCIA:** Cargue el combustible en un área exterior limpia y bien ventilada. Limpie de inmediato todo combustible que se haya derramado. Evite crear una fuente de encendido con el combustible derramado. No arranque el motor hasta que se hayan evaporado los gases del combustible.

**NOTA:** No llene el tanque demasiado.

3. Limpie toda la gasolina que pueda haberse derramado
4. Vuelva a instalar la tapa de la gasolina.
5. Mueva la unidad por lo menos 9,1 m (30 pies) de la fuente y sitio de carga antes de arrancar el motor.

**NOTA:** Elimine la gasolina vieja de acuerdo a los reglamentos federales, estatales y locales.

# INSTRUCCIONES DE ARRANQUE Y APAGADO



**ADVERTENCIA:** Use esta unidad sólo en un área exterior bien ventilada. Los gases de escape de monóxido de carbono pueden ser letales en un área cerrada.



**ADVERTENCIA:** Evite los arranques accidentales. Colóquese en posición de inicio cuando tire de la cuerda de arranque (Fig. 22). El operador y la unidad deben estar en una posición estable al arrancar la unidad para evitar graves lesiones personales.

Compruebe que cualquier complemento usado se instale correctamente y que esté seguro, antes de poner en marcha la unidad.

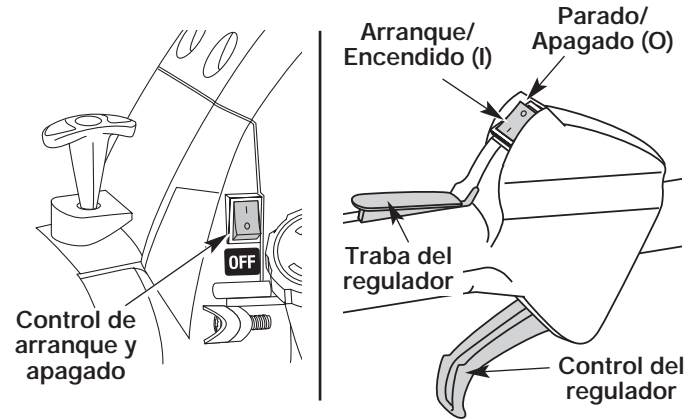


Fig. 20

## INSTRUCCIONES DE ARRANQUE

1. Verifique el nivel de aceite en el cárter del cigüeñal. Lea *Inspección del Nivel de Aceite*.
2. Llene el tanque de combustible con gasolina nueva, limpia y sin plomo.
3. Coloque el control de encendido y apagado en posición de ENCENDIDO (I) (Fig. 20).
4. Oprima completamente el cebador y suéltelo 10 veces. Hágalo lentamente. Se deberá ver un poco de combustible en el cebador y en las tuberías de alimentación de combustible (Fig. 21). Si no puede ver el combustible en el cebador, oprímalo y suéltelo tantas veces como sea necesario hasta que vea combustible en el mismo.
5. Coloque la palanca del obturador en Posición 1 (Fig. 21).
6. Soporte en la posición de arranque (Fig. 22) y apriete el control de aceleración. Tire bruscamente del cordón de arranque hasta 5 veces.
7. Coloque la palanca del obturador en Posición 2.
8. Mientras oprime el control del regulador, tire de la cuerda de arranque rápidamente de 1 a 5 veces para arrancar el motor.
9. Mantenga oprimido el regulador y deje que el motor se caliente durante 15 a 30 segundos.
10. Coloque la palanca del obturador en Posición 3. La unidad está lista para usarse.

**SI...** El motor no arranca, regrese al paso 4.

**SI...** El motor no arranca después de varios intentos, coloque la palanca del obturador en la Posición 3 y oprima el control del regulador. Hale la cuerda del arranque con fuerza de 3 a 8 veces. El motor deberá arrancar. Si no sucede así, repita el procedimiento.

**SI SE CALIENTA...** El motor ya está caliente, cerciñese de que el control de Encendido/Apagado [On/Off] esté en la posición de Encendido [ON] y arranque la unidad con la palanca del obturador en la Posición 2. Después de que la unidad arranque, mueva la palanca del obturador a la Posición 3.

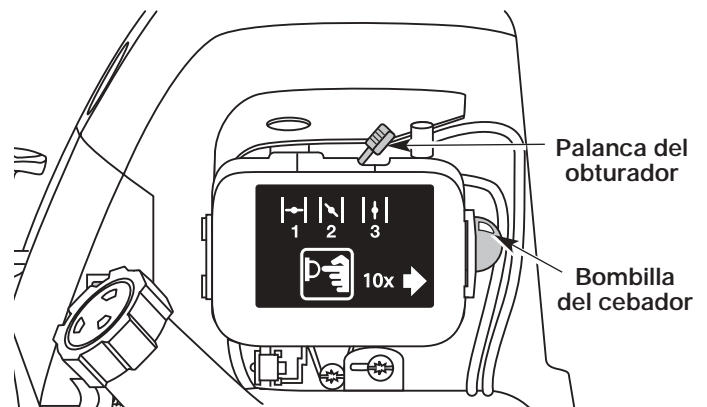


Fig. 21

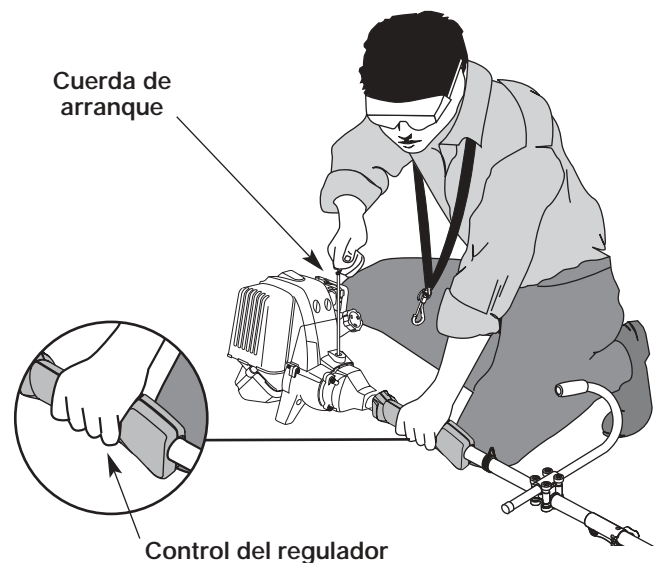


Fig. 22

## INSTRUCCIONES DE APAGADO


1. Saque la mano del control del regulador. Deje enfriar el motor en marcha en vacío.
2. Coloque el control de encendido y apagado en posición de APAGADO (O).

# INSTRUCCIONES DE OPERACIÓN

## OPERACION DEL SISTEMA EZ-Link™ (No está disponible en BL26C0)

El sistema EZ-Link™ le permite el uso de estos accesorios optativos.

Soplador/Aspirador	BV720r
Cultivador	GC720r
Recortador de bordes	LE720r
Recortador de setos	HS720r
Lanzanieves	ST720r
Recortador de eje recto	SS725r
Podador de árboles	TP720r
Soplador Turbo	TB720r

	<b>ADVERTENCIA:</b> Antes de comenzar a usar este accesorio, lea y comprenda el manual que viene con el accesorio. Siga toda la información de seguridad contenida en el mismo.
-----------------------------------------------------------------------------------	---------------------------------------------------------------------------------------------------------------------------------------------------------------------------------

	<b>ADVERTENCIA:</b> Para evitar graves lesiones personales, apague la unidad antes de sacar o instalar accesorios.
------------------------------------------------------------------------------------	--------------------------------------------------------------------------------------------------------------------

### Remoción del accesorio de corte u otros accesorios

1. Gire la perilla en sentido antihorario para aflojarla (Fig. 23).
2. Opima y sostenga el botón de desconexión (Fig. 23).
3. Mientras sostiene el bastidor del eje superior con firmeza, tire del accesorio de corte o accesorio en línea recta fuera del acoplador EZ-Link™.

### Instalación del accesorio de corte u otros accesorios

**NOTA:** Para facilitar la instalación o remoción de los accesorios, coloque la unidad sobre el suelo o sobre un banco de trabajo.

1. Gire la perilla en sentido antihorario para aflojarla (Fig. 23).

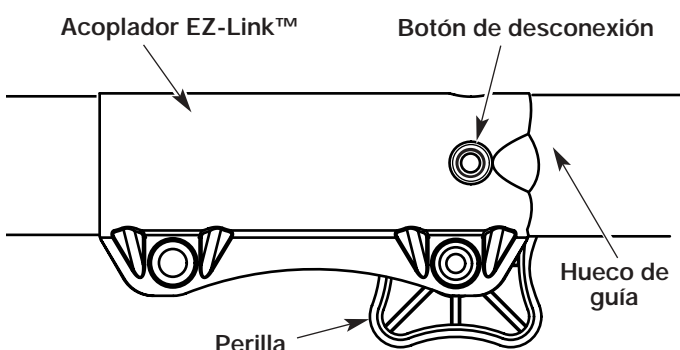


Fig. 23

2. Mientras sostiene el accesorio con firmeza, empújelo en línea recta en el acoplador EZ-Link™ (Fig. 24).

**NOTA:** La alineación del botón de desconexión con el hueco de guía facilitará la instalación (Fig. 23).

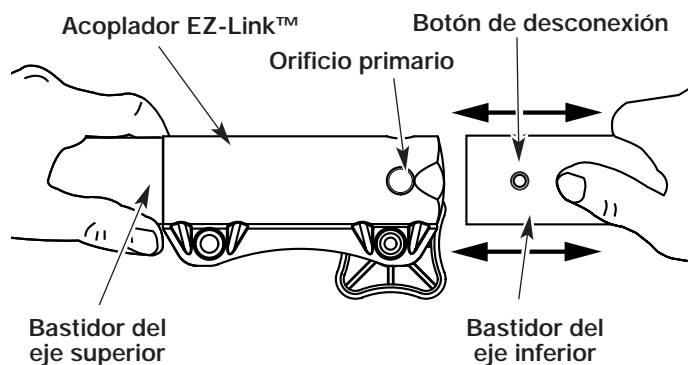


Fig. 24

3. Gire la perilla en sentido horario para ajustarla (Fig. 25).

	<b>PRECAUCION:</b> Trabe el botón de desconexión en el orificio primario y ajuste bien la perilla antes de operar esta unidad.
-----------------------------------------------------------------------------------	--------------------------------------------------------------------------------------------------------------------------------

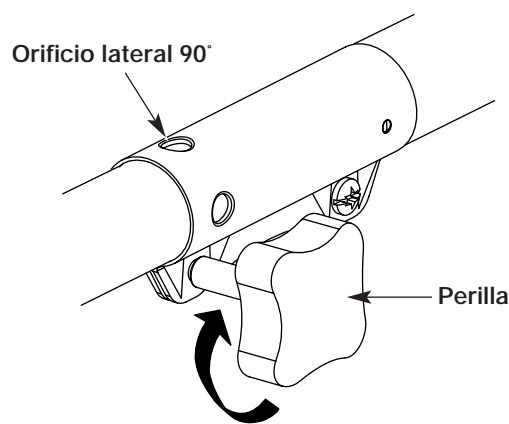



Fig. 25

	<b>PRECAUCION:</b> El accesorio de corte y los accesorios con el sistema EZ-Link™ deben ser usados en el orificio primario a menos que se indique lo contrario en el manual del operador del accesorio. El usar el orificio incorrecto puede conducir a lesiones personales o daño de la unidad.
-------------------------------------------------------------------------------------	--------------------------------------------------------------------------------------------------------------------------------------------------------------------------------------------------------------------------------------------------------------------------------------------------

Para recortar bordes mientras usa el accesorio de corte de cabeza de línea con modelos EZ-Link™, trabe el botón de desconexión en el **orificio lateral de 90°** (Fig. 25).

# INSTRUCCIONES DE OPERACIÓN

## COMO SOSTENER EL RECORTADOR



**ADVERTENCIA:** Use siempre protección para sus ojos, audición, pies y cuerpo para reducir el riesgo de una lesión al operar esta unidad.

Antes de operar esta unidad, párese en posición de operación (Fig. 26). Verifique lo siguiente:

- El operador tiene protección ocular y ropa adecuada.
- El brazo derecho está levemente doblado, y la mano está sosteniendo el mango del eje.
- El brazo izquierdo está recto, y la mano está sosteniendo la manija.
- La unidad está debajo del nivel de la cintura.
- El accesorio de corte está paralelo al suelo y hace fácil contacto con la vegetación que va a ser cortada sin que el operador tenga que inclinarse.

Una vez que usted esté en la posición de funcionamiento, enganche la correa para el hombro a la unidad.



Fig. 26

## AJUSTE DE LA LONGITUD DE LA LINEA DE CORTE

El accesorio de corte Bump Head™ le permite soltar línea de corte sin apagar el motor. Para soltar más línea, golpee suavemente el accesorio de corte contra el suelo (Fig. 27) mientras opera el recortador a alta velocidad.

**NOTA:** Mantenga siempre la línea de corte completamente extendida. Es más difícil soltar línea al acortarse la línea de corte.

Cada vez que se golpea la cabeza, se suelta alrededor de 25,4 mm (1 pulgada) de línea de corte. La cuchilla en la protección del accesorio de corte detendrá la línea en la longitud correcta si se suelta demasiada línea.

Para obtener mejores resultados, golpee la Bump Head™ sobre terreno limpio o tierra dura. Si intenta soltar la línea sobre el césped alto, el motor podrá ahogarse. Mantenga siempre la línea de corte completamente extendida. Es más difícil soltar línea al acortarse la línea de corte.

**NOTA:** No apoye la Bump Head™ sobre el suelo mientras la unidad esté en funcionamiento.



**PRECAUCION:** No saque ni altere el ensamble de la cuchilla limitadora de línea. La longitud excesiva de la línea causará el recalentamiento del motor. Esto puede causar graves lesiones personales o daño a la unidad.

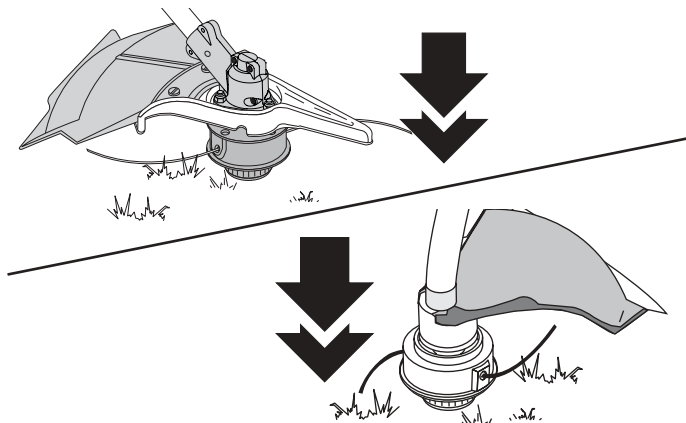


Fig. 27

La línea puede cortarse por:

- Enredarse con un objeto extraño
- Fatiga normal de la línea
- Intentar cortar hierbas gruesas y leñosas
- Forzar la línea en objetos como paredes o postes de cercos

## CONSEJOS PARA OBTENER MEJORES RESULTADOS AL RECORTAR

- Para mejores resultados que recortan, operar la unidad en válvula de admisión repleta.
- El ángulo correcto para ubicar el accesorio de corte es paralelo al suelo.
- No fuerce el accesorio de corte. Permita que la punta de la línea realice el corte (en especial a lo largo de paredes). Si corta con más de la punta reducirá la eficacia del corte y puede sobrecargar el motor.
- Corte césped de más de 200 mm (8 pulgadas) trabajando de arriba hacia abajo en pequeños incrementos para evitar el desgaste prematuro de la línea y el arrastre del motor.
- Corte de derecha a izquierda siempre que sea posible. Cortar hacia la izquierda mejora la eficiencia de la unidad. Corte de izquierda aderecha para BL26BC. Los recortes salen arrojados en sentido contrario al operador.
- Mueva lentamente el recortador dentro y fuera del área de corte a la altura deseada. Realice movimientos ya sea de adelante hacia atrás y viceversa, o de lado a lado. El corte en longitudes más cortas produce mejores resultados.
- Recorte únicamente cuando el pasto y las hierbas estén secas.
- La vida de su línea de corte depende de:
  - Seguir todas las técnicas de corte indicadas anteriormente
  - El tipo de vegetación que corte
  - El lugar donde se corta

Por ejemplo, la línea se desgastará más rápido cuando corte contra un muro que cuando corte alrededor de un árbol.

# INSTRUCCIONES DE OPERACION

## RECORTE DECORATIVO

El recorte decorativo se realiza eliminando toda la vegetación de alrededor de los árboles, postes, cercos, etc. Gire toda la unidad a modo de que el accesorio de corte se ubique a un ángulo de 30° con el suelo (Fig 28).

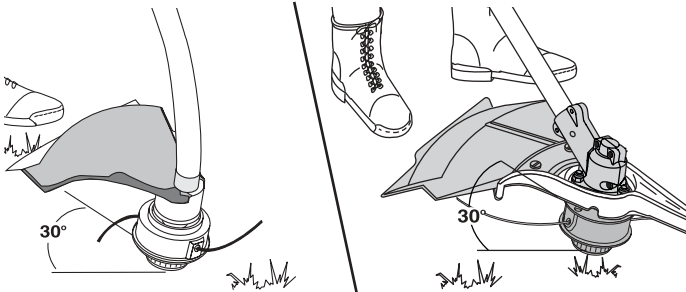


Fig. 28

## BL26BC: USO DE LA CUCHILLA DE CORTE



**ADVERTENCIA:** Use siempre protección para sus ojos, audición, pies y cuerpo para reducir el riesgo de una lesión al operar esta unidad.



**ADVERTENCIA:** No use la cuchilla de corte para recortar bordes ni como un recortador de bordes, puede causarle graves lesiones personales a usted o a los demás.

Antes de operar la unidad con la cuchilla de corte, párese en posición de corte (Fig. 29). Lea *Cómo sostener el Recortador*.

### Consejos para el uso de la cuchilla de corte

Para establecer un procedimiento rítmico de corte:

- Fije los pies con firmeza, cómodamente aparte.
- Lleve el motor a plena regulación antes de penetrar el material a cortar. La cuchilla tiene su máxima capacidad de corte a plena regulación y también es menos probable que se adhiera, se trabe o cause el impulso de la cuchilla, lo cual puede causar graves lesiones personales al operador o a otros.



**ADVERTENCIA:** Cuando la cuchilla giratoria hace contacto con un objeto que no corta de inmediato, puede ocurrir el impulso de la cuchilla. El impulso de la cuchilla puede ser lo suficientemente violento como para hacer que la unidad y/o el operador sean impulsados en cualquier dirección, y posiblemente perder el control de la unidad. El impulso de la cuchilla puede ocurrir si la cuchilla se tropieza, se traba o se atora. Es más posible que esto ocurra en áreas donde es difícil ver el material que está cortando.

- Corte girando la parte superior de su cuerpo de izquierda a derecha.
- Suelte siempre el gatillo del regulador y espere que el motor vuelva a marcha lenta cuando no esté cortando.



**ADVERTENCIA:** La cuchilla continúa girando luego de apagar el motor. La cuchilla en deslizamiento puede causarle graves cortes si lo toca en forma accidental.

- Cuando termine la labor, desabroche siempre la unidad antes de quitarse el arnés.
- Mueva la unidad en la dirección opuesta en que gira la cuchilla, con lo cual logrará una mejor acción de corte.
- Avance al área siguiente a cortar después de la maniobra de retorno, y vuelva a fijar los pies.
- La cuchilla de corte está diseñada con un segundo borde de corte, el cual puede ser utilizado retirando la cuchilla, dándola vuelta y volviendo a instalarla.



**ADVERTENCIA:** No afila la cuchilla de corte. Si afila la cuchilla, la punta puede desprenderse durante su uso. Esto puede causar graves lesiones personales a usted mismo o a los demás. Cambie la cuchilla.

Para reducir la posibilidad de que se enrede material en la cuchilla, siga estos pasos:

- Corte a plena regulación.
- Mueva la unidad de su izquierda a derecha hacia el material que va a cortar (Fig. 30).
- En el movimiento de retorno, evite tocar el material que acaba de cortar.



**ADVERTENCIA:** No limpie el material con el motor en marcha ni con la cuchilla girando. Para evitar graves lesiones personales, apague el motor. Espere que la cuchilla se detenga antes de sacar el material envuelto alrededor del eje de la cuchilla.



Fig. 29

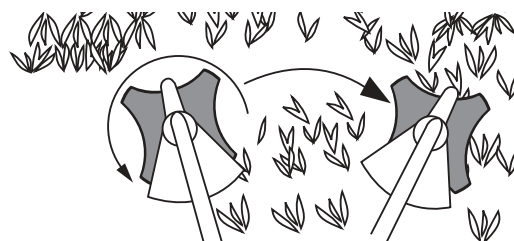


Fig. 30



# INSTRUCCIONES DE MANTENIMIENTO Y REPARACIÓN

**NOTA:** Algunos procedimientos de mantenimiento pueden requerir el uso de herramientas o habilidades especiales. Si no está seguro acerca de estos procedimientos, lleve su unidad a un establecimiento de reparación, persona o distribuidor de servicio autorizado que arregle motores para uso fuera de la carretera.

**NOTA:** El mantenimiento, la sustitución o arreglo de dispositivos para el control de emisiones y sistemas pueden ser hechos por cualquier establecimiento de reparación, persona o proveedor de servicio autorizado que arregle motores para uso fuera de la carretera.

## PROGRAMA DE MANTENIMIENTO

Estos procedimientos requeridos para el mantenimiento deben ser realizados con la frecuencia indicada en la tabla. Deben ser incluidos como parte de toda puesta a punto de cada temporada.



**ADVERTENCIA:** Para evitar lesiones personales graves, nunca realice mantenimiento ni reparaciones con la unidad funcionando. Realice siempre el mantenimiento y las reparaciones con la unidad fría. Desconecte el cable de la bujía de encendido para cerciorarse de que la unidad no arrancará.

FRECUENCIA	MANTENIMIENTO REQUERIDO	CONSULTE
Antes de arrancar el motor	Llene el tanque de combustible con combustible nuevo Inspeccione el aceite	Page 12 Page 22
Cada 10 horas	Limpie y vuelva a aceitar el filtro de aire	Page 23
Primer cambio a las 10 horas Cada 25 horas en lo sucesivo Cada 25 horas	Cambie el aceite Cambie el aceite Limpie el amortiguador de chispas	Page 23 Page 23 Page 27
10 horas en un motor nuevo Cada 25 horas Cada 25 horas	Verifique la separación entre el brazo oscilante y la válvula y ajuste Verifique la separación entre el brazo oscilante y la válvula y ajuste Verifique la condición y separación de la bujía de encendido	Page 25 Page 25 Page 27

## INSTALACION DE LA LINEA

Su recortador está equipado con uno de dos accesorios de corte. El recortador BL26SS usa una SpeedSpool, en tanto que el recortador BL26C0 y cortamalezas BL26BC usa un bump head grande. Consulte solamente la sección que corresponde al tipo de accesorio de corte con que está equipada su unidad.

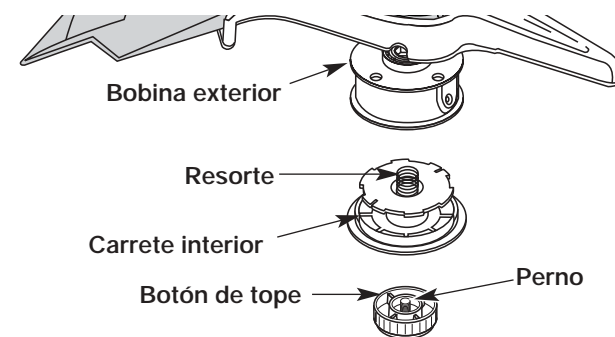


Fig. 31

### BOTÓN DE TOPE (BL26C0 & BL26BC)

Esta sección cubre la instalación de la línea SplitLine™ y de la línea individual regular.

Use siempre la línea de repuestos de 2,41 mm (0,095 pulg-- BL26BC) o 2,03 mm (0,80 pulg-- BL26C0) del fabricante del equipo original. Una línea que no sea la indicada puede causar que el motor se recaliente o falle.

Existen dos métodos para cambiar la línea de corte.

- Bobine el carrete interior con línea nueva.
- Instale un carrete interior prebobinado

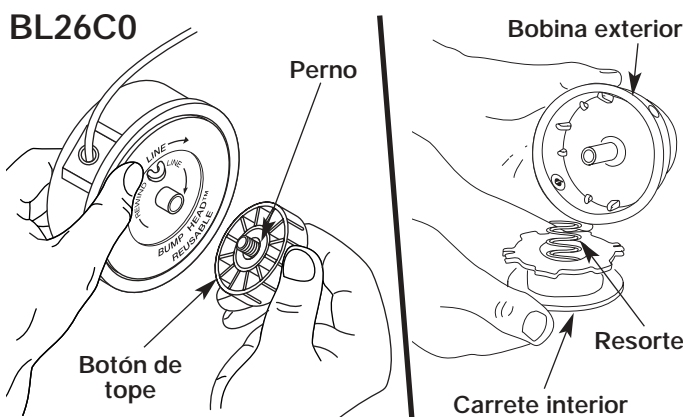


Fig. 32



**ADVERTENCIA:** No use nunca línea reforzada con metal, alambre, cadena ni sogá, etc. Estos elementos pueden desprenderse y convertirse en un proyectil peligroso.

### Bobinado del carrete interior existente

1. Sostenga la bobina exterior con una mano y desenrosque el botón de tope en sentido antihorario (Fig. 31 o 32). Inspeccione el perno de adentro del botón de tope para verificar que se mueva con libertad. Cambie el botón de tope si está dañado.

2. Saque el carrete interior de la bobina exterior (Fig. 31 o 32).

# INSTRUCCIONES DE MANTENIMIENTO Y REPARACIÓN

3. Saque el resorte del carrete interior (Fig. 31 o 32).
4. Use un paño limpio para limpiar el carrete interior, el resorte, el eje y la bobina exterior (Fig. 33).
5. Verifique el desgaste de los dientes de posición del carrete interior y bobina exterior (Fig. 34 o 35). Si es necesario, saque la rebaba o cambie el carrete y la bobina.

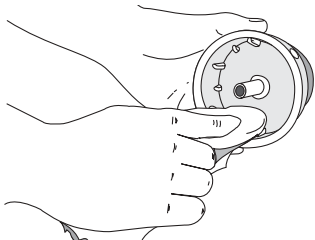


Fig. 33

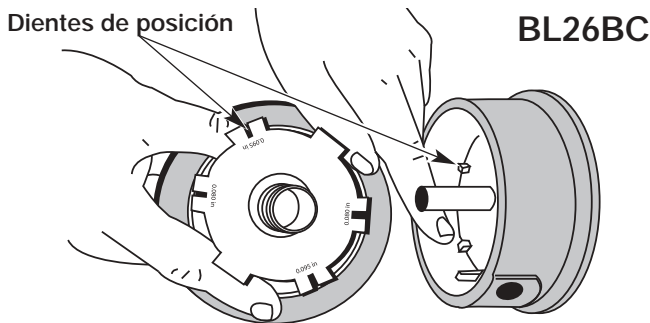


Fig. 34

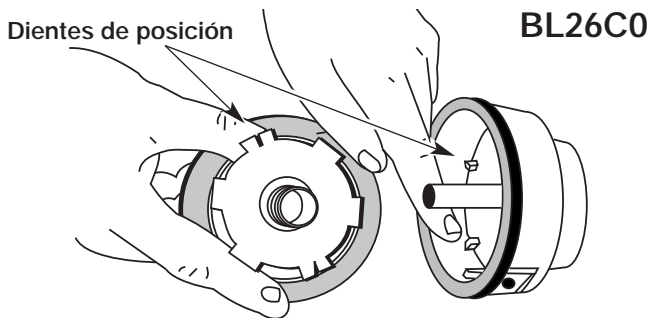


Fig. 35

**NOTA:** La línea SplitLine™ sólo puede usarse con el carrete interior con los orificios ranurados. La línea individual puede usarse en cualquier tipo de carrete interior. Use la Figura 36 para identificar el carrete interior que usted tiene.

Para usar SÓLO con línea individual

Para usar con SplitLine™ o línea individual

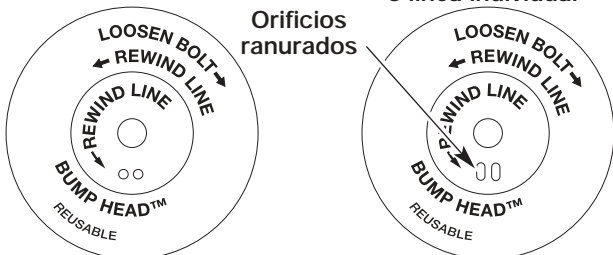


Fig. 36

**NOTA:** Use siempre la longitud correcta de línea cuando instale la línea de corte en la unidad. La línea puede no soltarse en forma adecuada si es demasiado larga.

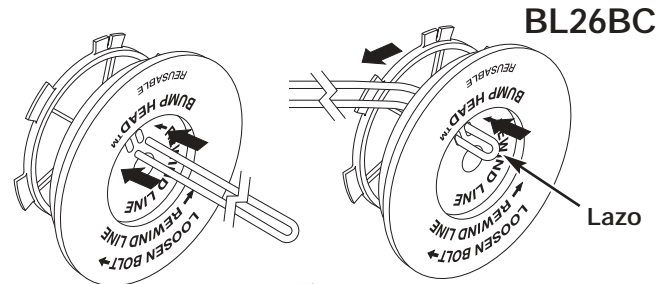


Fig. 37

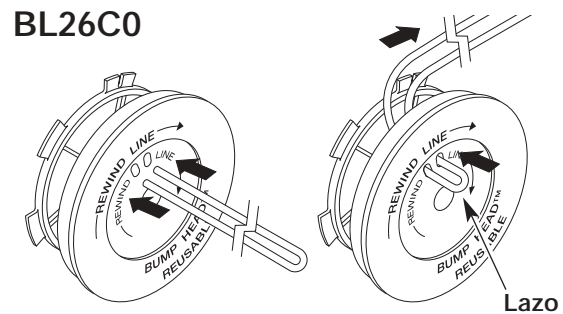


Fig. 38

## Instalación de la línea individual

Lea la instalación de la línea SplitLine™ en el paso 8

6. Tome aproximadamente 5 m (16 pies) de nueva línea de corte, enlácela en dos longitudes iguales. Inserte cada extremo de la línea a través de uno de los dos orificios del carrete interior (Fig. 37 o 38). Pase la línea a través del carrete interior de modo que el lazo sea lo más pequeño posible.
7. Bobine las líneas en capas parejas y ajustadas sobre el carrete (Fig. 39 o 40). Bobine la línea en la dirección indicada en el carrete interior. Coloque su dedo índice entre las dos líneas para evitar que se superpongan. No superponga los extremos de la línea. Proceda al paso 11.

## BL26BC

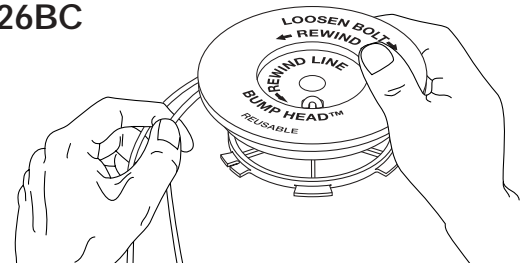


Fig. 39

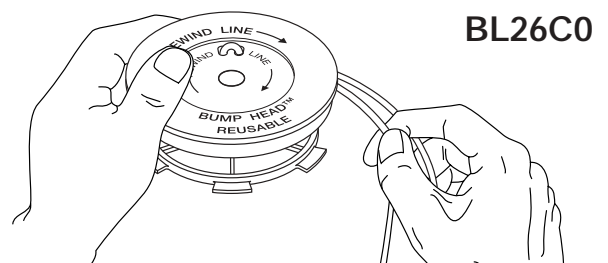


Fig. 40

# INSTRUCCIONES DE MANTENIMIENTO Y REPARACIÓN

## Instalación de la línea SplitLine™

8. Tome aproximadamente 2,5 m (8 pies) de nueva línea de corte. Inserte un extremo de la línea a través de uno de los orificios del carrete interior (Fig. 41 o 42). Pase la línea a través del carrete interior hasta que queden sólo 4 pulgadas fuera.
9. Inserte el extremo de la línea en el orificio abierto del carrete interior y tire de la línea en forma ajustada a fin de que el lazo sea lo más pequeño posible (Fig. 41 o 42).
10. Antes de bobinar, separe la línea alrededor de 6 pulgadas.
11. Bobine la línea en capas parejas y ajustadas en la dirección indicada en el carrete interior.

**NOTA:** Si no bobina la línea en la dirección indicada, el accesorio de corte no funcionará en forma correcta.

12. Inserte los extremos de la línea en las dos ranuras de fijación (Fig. 43).

### BL26BC

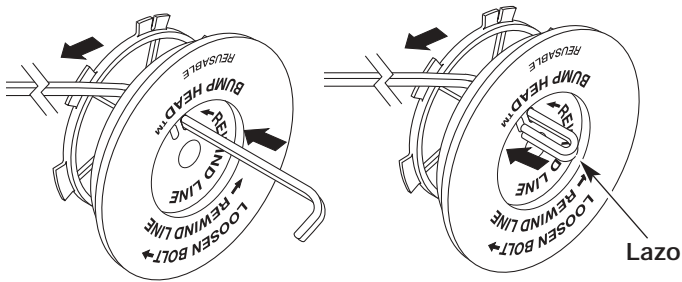


Fig. 41

### BL26C0

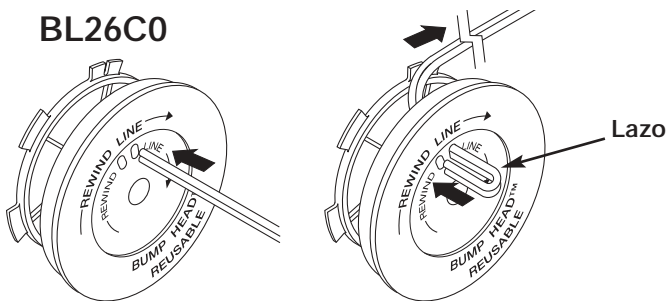


Fig. 42

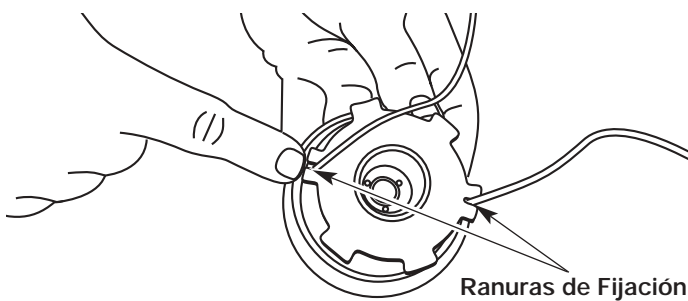


Fig. 43

13. Inserte los extremos de la línea a través de los ojaillos de la bobina exterior y coloque el carrete interior con el resorte dentro de la bobina exterior (Fig. 44 o 45). Empuje el carrete interior y la bobina exterior entre sí. Mientras sostiene el carrete interior y la bobina exterior, tome los extremos y tire con firmeza para soltar la línea de las ranuras de fijación de la bobina.

**NOTA:** El resorte debe estar ensamblado en el carrete interior antes de volver a ensamblar el accesorio de corte.

14. Sostenga el carrete interior en su lugar e instale el botón de tope girándolo en sentido horario (BL26BC) o en sentido antihorario (BL26C0). Ajuste bien.

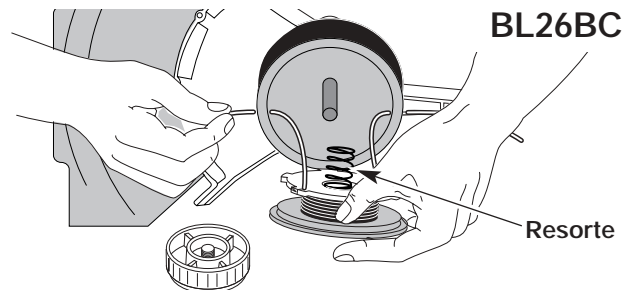


Fig. 4

### BL26C0

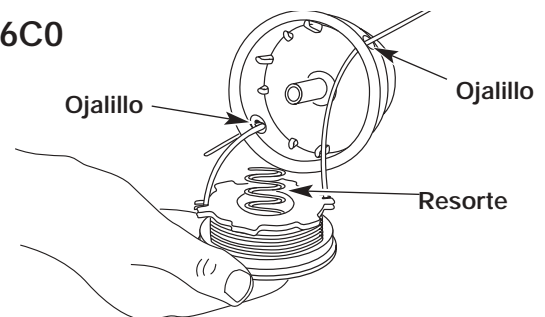


Fig. 45

## INSTALACIÓN DE UN CARRETE PREBOBINADO

1. Sostenga la bobina exterior con una mano y desenrosque el botón de tope en sentido antihorario (BL26BC) o en sentido horario (BL26C0). Inspeccione el perno dentro del botón de tope para verificar que se mueva con libertad. Cambie el botón de tope si está dañado (Fig. 31 o 32).
2. Saque el carrete interior viejo de la bobina exterior (Fig. 31 o 32).
3. Saque el resorte del carrete interior viejo (Fig. 31 o 32).
4. Coloque el resorte en el carrete interior nuevo.

**NOTA:** El resorte debe estar ensamblado en el carrete interior antes de volver a instalar el accesorio de corte.

5. Inserte los extremos de la línea en los ojaillos de la bobina exterior (Fig. 44 o 45).
6. Coloque el nuevo carrete interior dentro de la bobina exterior. Empuje el carrete interior y la bobina exterior entre sí. Mientras sostiene el carrete interior y la bobina exterior, tome los extremos y tire con firmeza para soltar la línea de las ranuras de retención de la bobina.
7. Sostenga el carrete interior en su lugar e instale el botón de tope girándolo en sentido horario (BL26BC) o en sentido antihorario (BL26C0). Ajuste bien.

# INSTRUCCIONES DE MANTENIMIENTO Y REPARACIÓN

## SPEEDSPOOL® (BL26C0 & BL26SS)

### INSTALACION DE LA LINEA PARA EL SPEEDSPOOL®



**ADVERTENCIA:** No use nunca línea reforzada con metal, alambre, cadena ni sogas, etc. Estos elementos pueden desprenderse y convertirse en un proyectil peligroso.

Use siempre línea de repuesto del fabricante del equipo original de 2,03 mm (0,080 pulgadas). Una línea mayor puede causar un recalentamiento o falla en el motor.

Existen dos métodos para cambiar la línea de corte SpeedSpool®.

- Bobinar el carrete interior con línea nueva
- Instalar un carrete prebobinado

#### Bobinado del carrete interior con línea nueva

**NOTA:** No hace falta quitar la perilla percusiva para instalar línea de corte nueva.

1. Corte dos piezas de 2,03 mm (0,080 pulgadas) de línea de corte, de 3 m (10 pies) de largo.
2. Alinee la flecha del carrete interior con la flecha de la bobina exterior (Fig. 46).



**ADVERTENCIA:** Use siempre la longitud de línea correcta al instalar línea de corte en la unidad. La línea puede no soltarse correctamente si es demasiado larga.

Vista superior del SpeedSpool®

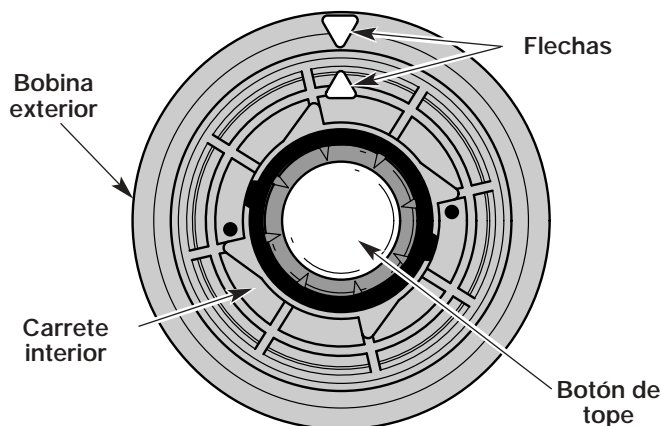


Fig. 46

3. Saque la línea vieja por los orificios de carga y de cierre de línea (Fig. 47 y 48).
4. Inserte una pieza de línea de corte dentro de uno de los ojallillos de la bobina exterior. Páselo hacia arriba a través del orificio de carga del carrete interior (Fig. 47). No doble la línea al insertarla en el ojallillo.

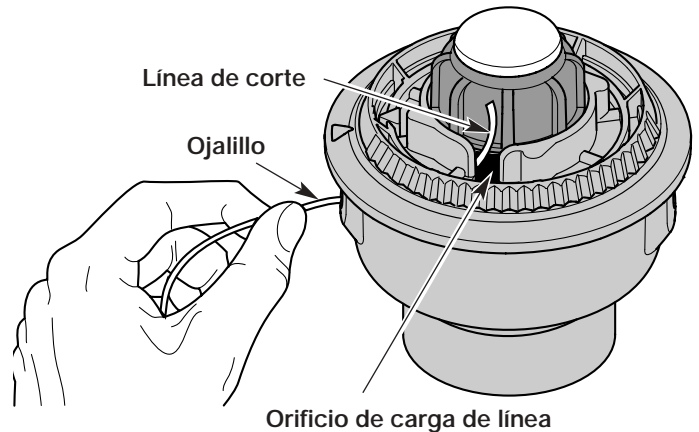


Fig. 47

5. Inserte la línea en el orificio de cierre. No empuje la línea más de 12,7 mm (1/2 pulgada) dentro del orificio de cierre. Cuando la línea está bien insertada, formará un bucle pequeño (Fig. 48).

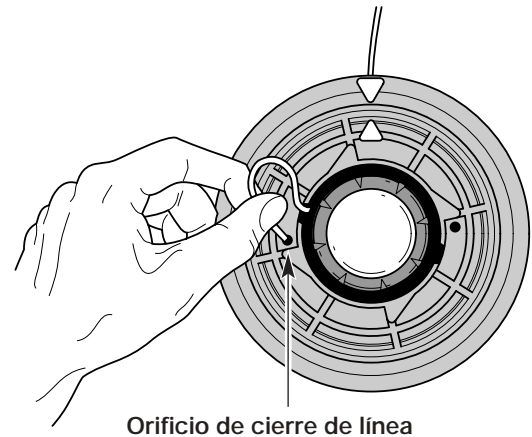


Fig. 48

6. Saque la línea de la bobina exterior hasta que esté tirante contra el carrete interior (Fig. 49).

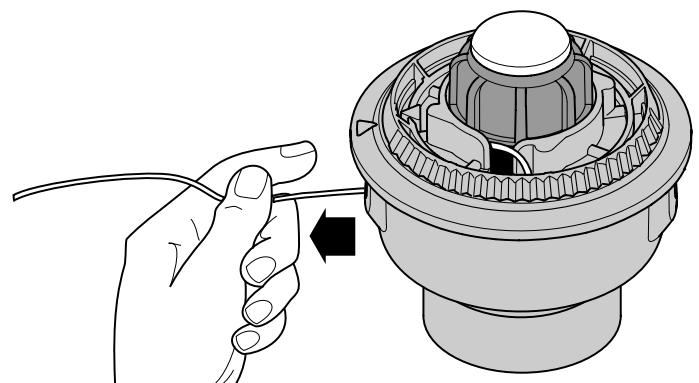


Fig. 49

# INSTRUCCIONES DE MANTENIMIENTO Y REPARACIÓN

7. Repita los pasos 4 a 6 con la segunda pieza de línea.
8. Sostenga la bobina exterior. Bobine el carrete interior en sentido antihorario hasta que queden alrededor de 102 mm (4 pulgadas) de línea (Fig. 50).

**NOTA:** No bobine el carrete interior antes de instalar la segunda pieza de línea.

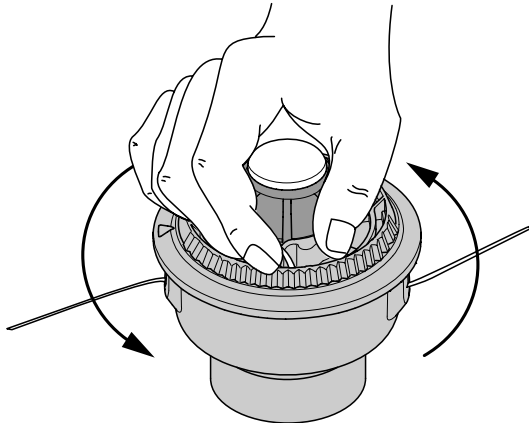


Fig. 50

9. Si el bobinado de la línea se torna dificultoso o la línea se enreda, tire de los extremos de la línea de la bobina. Continúe bobinando el carrete interior en sentido antihorario (Fig. 51).

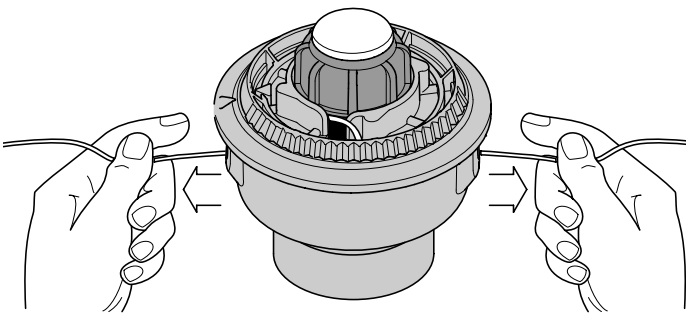


Fig. 51

## Instalación de un carrete interior prebobinado

1. Saque la perilla percusiva, el resorte y el sello de espuma girando la perilla percusiva en sentido antihorario (Fig. 52).

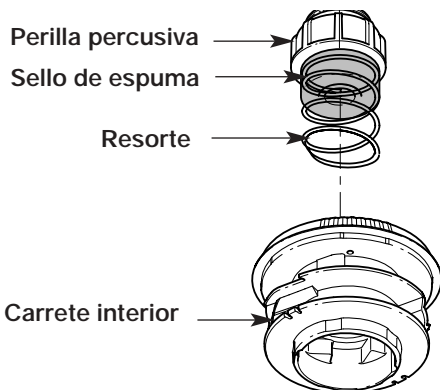


Fig. 52

2. Saque el carrete interior viejo con la línea existente fuera de la bobina exterior.
3. Inserte los extremos de la línea de corte del nuevo carrete interior dentro de los ojillos de la bobina exterior (Fig. 53). Coloque el nuevo carrete interior con la flecha hacia arriba dentro de la bobina exterior.

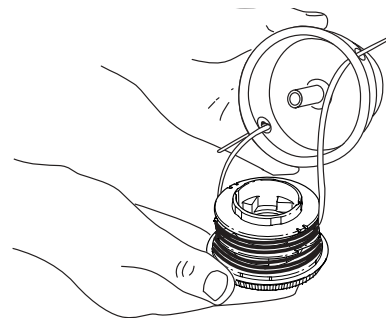


Fig. 53

4. Sostenga el carrete interior en su lugar e instale la botón de tope, el resorte y el sello de espuma presionando y girando la botón de tope en sentido horario. Tome los extremos y tire con firmeza para soltar la línea de las ranuras de fijación en el carrete interior (Fig. 52).

## Desconexión del carrete interior

Si el SpeedSpool® no suelta línea en forma correcta, tire firmemente de los extremos de la línea de la bobina (Fig. 51). Si al hacer esto no se suelta, siga las instrucciones de *limpieza del SpeedSpool®* a continuación.

## LIMPIEZA DEL SPEEDSPOOL®

La limpieza de SpeedSpool® puede ser necesaria:

- Para sacar línea enredada o en exceso
  - Si el bobinado del SpeedSpool® se torna dificultoso o no opera en forma correcta cuando golpea la cabeza contra el suelo
1. Sostenga la bobina exterior y desenrosque la perilla percusiva en sentido antihorario (Fig. 54).
  2. Saque la botón de tope, el resorte y el sello de espuma (Fig. 52).

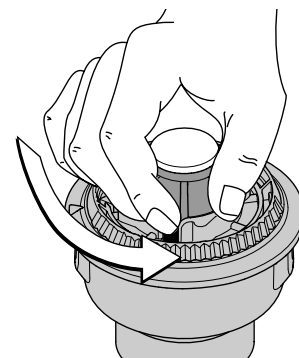


Fig. 54

3. Saque el carrete interior con la línea existente de la bobina exterior (Fig. 53).

# INSTRUCCIONES DE MANTENIMIENTO Y REPARACIÓN

4. Saque toda la línea que haya en el carrete interior antes de limpiarlo. Saque todos los residuos o pasto de la perilla, resorte, carrete interno y sello de espuma. Lave el carrete interior con agua jabonosa tibia (Fig. 55).

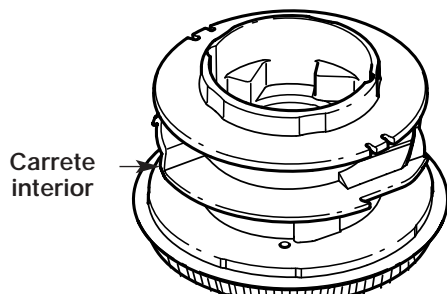


Fig. 55

5. Limpie el eje y la superficie interior de la bobina exterior. Para limpiar el eje debajo del émbolo, empuje el émbolo hacia abajo (Fig. 56). Saque toda la suciedad o residuos del eje.

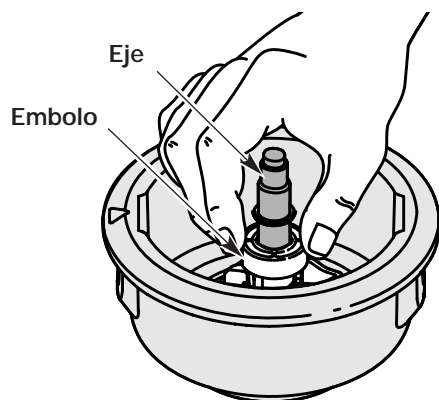


Fig. 56

**NOTA:** El carrete interior debe estar seco por completo antes de volver a instalarlo en la bobina exterior. No lubrique el ensamble del carrete interior ni de la bobina exterior.

6. Coloque el carrete interior en la bobina exterior.
7. Coloque la botón de tope, el resorte y el sello de espuma en la bobina exterior (Fig. 52).
8. Ajuste la botón de tope presionando hacia abajo y girándola en sentido horario.
9. Instale la línea nueva según se indica en *Instalación de la línea para el SpeedSpool®*.

## INSPECCION DEL NIVEL DE ACEITE



**PRECAUCION:** Para evitar un desgaste excesivo del motor y el daño de la unidad, mantenga siempre el nivel de aceite correcto en el cárter del cigüeñal. No opere nunca la unidad con el aceite debajo del extremo inferior de la varilla de medición.

No podemos exagerar la importancia de verificar y mantener el nivel correcto de aceite en el cárter del cigüeñal. Inspeccione el nivel de aceite antes de cada uso:

1. Apague el motor y permita que el aceite drene dentro del cárter del cigüeñal.
2. Coloque la unidad sobre una superficie plana y nivelada para obtener una lectura correcta del nivel de aceite.
3. Mantenga la suciedad, recortes de césped, etc. fuera del motor. Limpie el área alrededor del tapón de relleno de aceite / varilla de medición antes de retirarlo.
4. Retire el tapón de relleno de aceite / varilla de medición y seque el aceite. Vuelva a insertarlo completamente hacia adentro.
5. Retire el tapón de relleno de aceite / varilla de medición e inspeccione el nivel del aceite. El aceite debe llegar hasta la parte superior de la varilla de medición (Fig. 57).

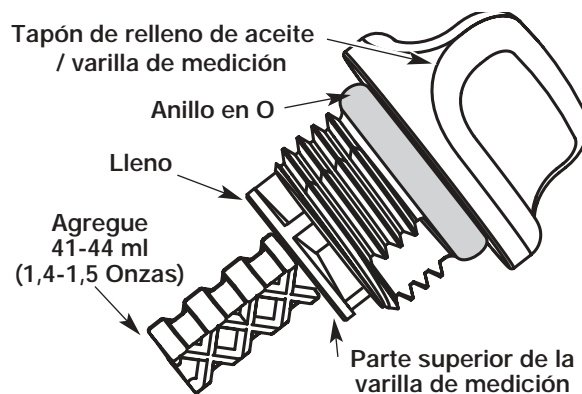


Fig. 57

6. Si el nivel está bajo, agregue una pequeña cantidad de aceite en el orificio de llenado de aceite y vuelva a medir (Fig. 58). Repita hasta que el nivel de aceite llegue hasta la parte superior de la varilla de medición.

**NOTA:** No llene demasiado la unidad.

**NOTA:** Verifique que el anillo en O esté en su lugar en el tapón de relleno de aceite / varilla de medición cuando mida y cambie el aceite (Fig. 58).

# INSTRUCCIONES DE MANTENIMIENTO Y REPARACIÓN

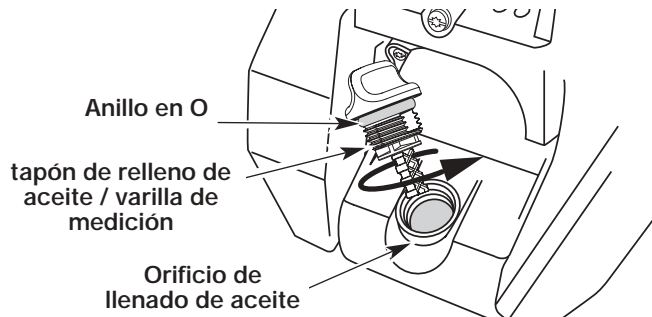


Fig. 58

## CAMBIO DEL ACEITE

En un motor nuevo, cambie el aceite después de las 10 primeras horas de operación. Cambie el aceite mientras el motor aún está caliente. El aceite fluirá con libertad y llevará más impurezas.



**PRECAUCIÓN:** Use guantes para evitar sufrir lesiones cuando maneje la unidad.

1. Desenchufe el manguito de la bujía de encendido para eliminar el arranque.
2. Retire el tapón de relleno de aceite / varilla de medición.
3. Vierta el aceite fuera del orificio de llenado de aceite en un recipiente inclinando la unidad hasta una posición vertical (Fig. 59). Deje suficiente tiempo como para completar el drenaje.

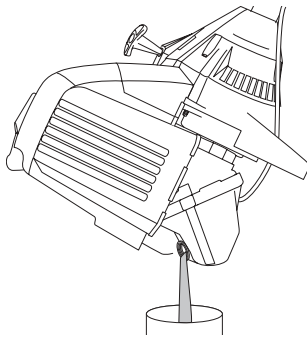


Fig. 59

4. Seque todo el aceite residual de la unidad y limpie todo el aceite que pueda haberse derramado. Elimine todo el aceite de acuerdo con las normas federales, estatales y locales.
5. Vuelva a cargar el cárter del cigüeñal con 100 ml (3,4 onzas fluidas) de aceite SAE 30 SF, SG, SH.

**NOTA:** Use la botella y la boquilla que guardó del uso inicial para medir la cantidad correcta. El nivel de 100 ml (3,4 onzas) está aproximadamente en la parte superior de la etiqueta de la botella (Fig. 60). Mida el nivel con la varilla de medición. Si el nivel está bajo, agregue una pequeña cantidad de aceite y vuelva a medir (Fig. 60). No lo llene demasiado.

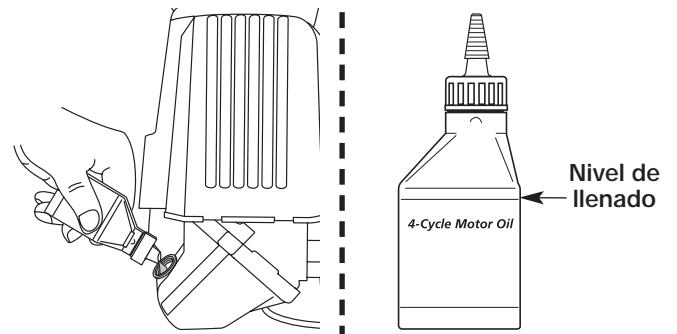


Fig. 60

6. Vuelva a colocar el tapón de relleno de aceite / varilla de medición.
7. Vuelva a conectar el manguito de la bujía de encendido.

## MANTENIMIENTO DEL FILTRO DE AIRE

### Limpieza del filtro de aire

Limpie y vuelva a aceitar el filtro de aire cada 10 horas de operación. Es una de las partes cuyo mantenimiento es importante. No mantener debidamente su filtro de aire puede resultar en funcionamiento inadecuado o puede causar daño permanente a su motor.



**ADVERTENCIA:** Para evitar graves lesiones personales, apague siempre su recortador y espere que se enfríe antes de limpiarlo o realizar todo tipo de mantenimiento.

1. Abra la cubierta del filtro de aire. Empuje hacia adentro la orejeta del lado derecho de la cubierta, y extraiga la cubierta del filtro de aire hacia afuera y hacia la izquierda (Fig. 61).

**NOTA:** Es posible que deba retirar la tapa de combustible para poder retirar por completo la cubierta del filtro de aire.

2. Retire el filtro de aire (Fig. 61).

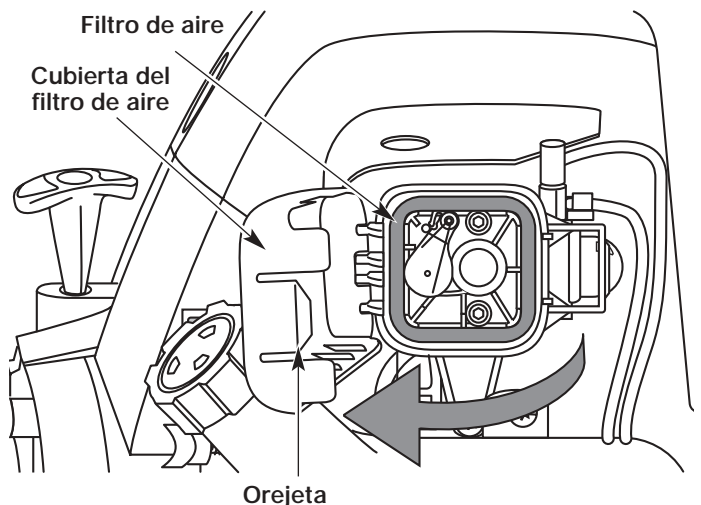


Fig. 61

# INSTRUCCIONES DE MANTENIMIENTO Y REPARACIÓN

3. Lave el filtro con agua y detergente (Fig. 62). Enjuague bien el filtro y déjelo secar.

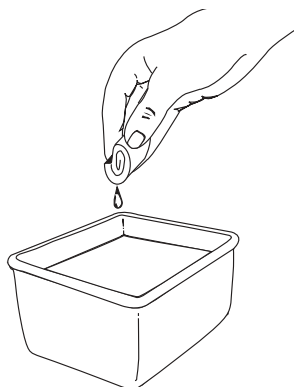


Fig. 62

4. Aplique suficiente aceite limpio de motor SAE 30 para recubrir ligeramente el filtro (Fig. 63).

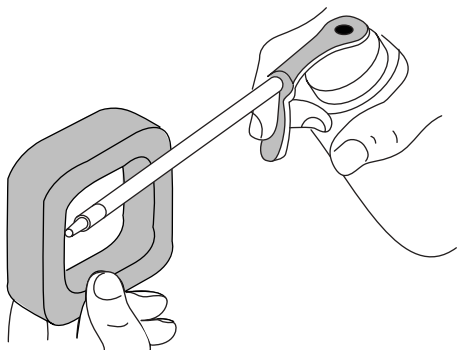


Fig. 63

5. Apriete el filtro para esparcir y retirar el exceso de aceite (Fig. 64).

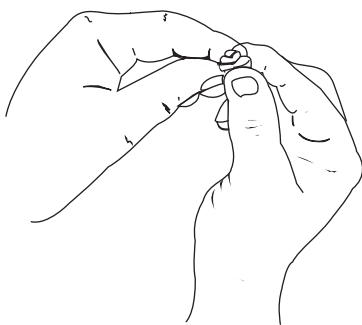


Fig. 64

6. Vuelva a colocar el filtro (Fig. 65).

**NOTA:** Si opera la unidad sin el filtro de aire, su garantía será ANULADA.

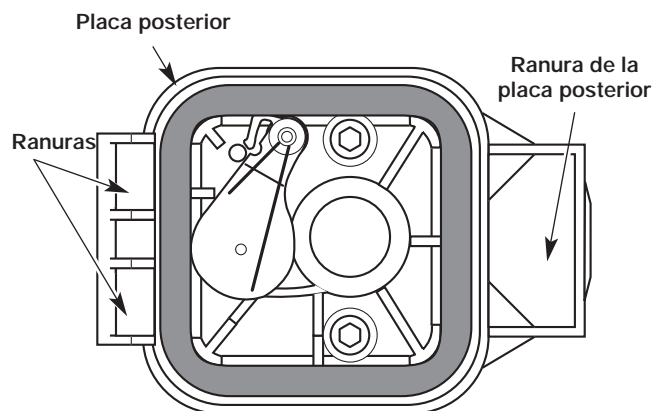


Fig. 65

7. Vuelva a instalar la cubierta del filtro de aire. Coloque los ganchos del lado izquierdo de la cubierta del filtro de aire en las ranuras del lado izquierdo de la placa posterior (Fig. 65).

**NOTA:** Puede ser necesario que retire la tapa del combustible para volver a instalar la cubierta del filtro de aire.

8. Mueva la cubierta hacia la derecha hasta que la orejeta del filtro de aire calce en su lugar en la ranura de la placa posterior (Fig. 65).
9. Vuelva a colocar la tapa del combustible, si es que la había retirado.

## AJUSTE DEL CARBURADOR

La velocidad mínima del motor puede ser ajustada. Puede tener acceso al tornillo de ajuste de mínima a través de un orificio en la parte superior de la cubierta del motor (Fig. 66).

**NOTA:** Los ajustes descuidados pueden dañar su motor seriamente. Los ajustes del carburador deben ser realizados por un proveedor de servicio autorizado.

## Inspección del Combustible

En general, el combustible viejo es el motivo principal para que la unidad no funcione en forma adecuada. Drene y vuelva a llenar el tanque con combustible nuevo, limpio y sin plomo antes de hacer ningún ajuste. Consulte la *Información acerca del Aceite y Combustible*.



# INSTRUCCIONES DE MANTENIMIENTO Y REPARACIÓN

## Limpieza del Filtro de Aire

La condición del filtro de aire es importante para el funcionamiento de la unidad. Un filtro de aire sucio limitará el flujo de aire y cambiará la mezcla de aire y combustible. Con frecuencia esto se confunde con un carburador fuera de ajuste. Inspeccione la condición del filtro de aire antes de ajustar el tornillo de velocidad mínima. Consulte la sección de *Mantenimiento del Filtro de Aire*.

## Ajuste del Tornillo de Velocidad Mínima



**ADVERTENCIA:** El accesorio de corte puede estar girando durante los ajustes del carburador. Use ropa que lo proteja y cumpla con todas las instrucciones de seguridad para prevenir graves lesiones personales.

Si después de inspeccionar el combustible y limpiar el filtro de aire el motor aún no funciona en mínima, ajuste el tornillo de velocidad mínima según se indica a continuación.

1. Arranque el motor y déjelo funcionar a una mínima alta durante un minuto para que se caliente.
2. Suelte el gatillo del regulador y deje que el motor funcione en mínima. Si el motor se para, inserte un destornillador Phillips pequeño en el orificio de la cubierta del motor (Fig. 66). Gire el tornillo de mínima hacia adentro, en sentido horario, de a 1/8 de vuelta por vez (según sea necesario) hasta que el motor funcione en mínima suavemente.

**NOTA:** El accesorio de corte no debe girar cuando el motor está funcionando en mínima.

3. Si el accesorio de corte gira cuando el motor está funcionando en mínima, gire el tornillo de velocidad mínima en sentido antihorario de a 1/8 de vuelta por vez (según sea necesario) para reducir la velocidad mínima.

La inspección del combustible, la limpieza del filtro de aire y el ajuste del tornillo de velocidad mínima debe resolver la mayoría de los problemas del motor. Si esto no sucede, y:

- El motor no funciona en mínima
- El motor fluctúa o se ahoga al acelerarlo
- Existe una pérdida de fuerza motriz

lleve el carburador a ajustar a un proveedor de servicio autorizado.



**ADVERTENCIA:** Al apagar la unidad, asegúrese de que el accesorio de corte se haya detenido antes de apoyar la unidad para prevenir graves lesiones personales.

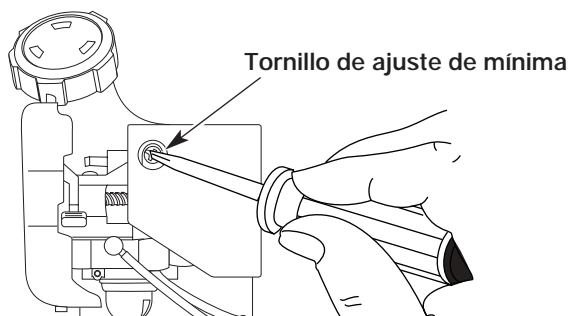


Fig. 66

## HUELGO DEL BRAZO OSCILANTE

Esto requiere el desarmado del motor. Si usted siente que no está seguro o que no está calificado como para realizar esto, lleve la unidad a un centro de servicio autorizado.

**NOTA:** Inspeccione el huelgo de la válvula del brazo oscilante con una galga después de las primeras 10 horas de operación y luego cada 25 horas de operación en lo sucesivo.

- El motor debe estar frío cuando verifique o ajuste el huelgo de la válvula.
  - Esta tarea debe ser realizada en interiores, en un área limpia y libre de polvo.
1. Retire la cubierta del silenciador presionando la esquina con un destornillador de vástago plano (Fig. 67). Deslice las muescas a los lados de la cubierta del silenciador sobre las orejetas de la cubierta del motor y retire.

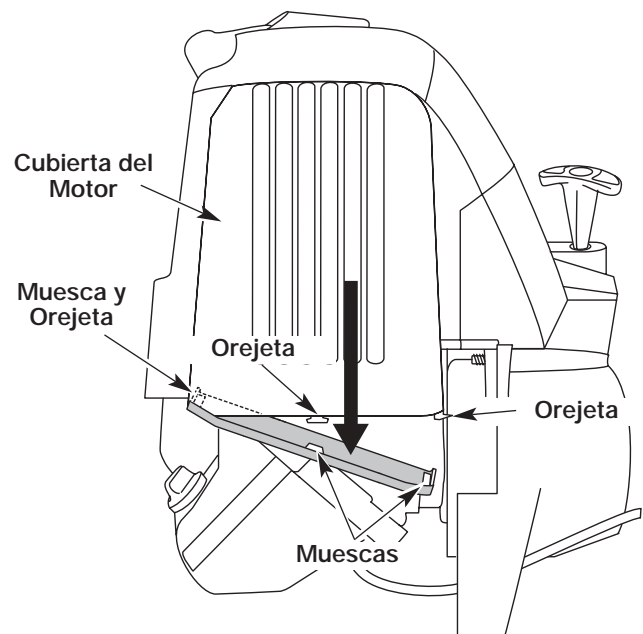


Fig. 67

2. Quite los dos (2) Tornillos de encima de la tapa del motor con un destornillador de pala o Torx #25 (Fig. 68).

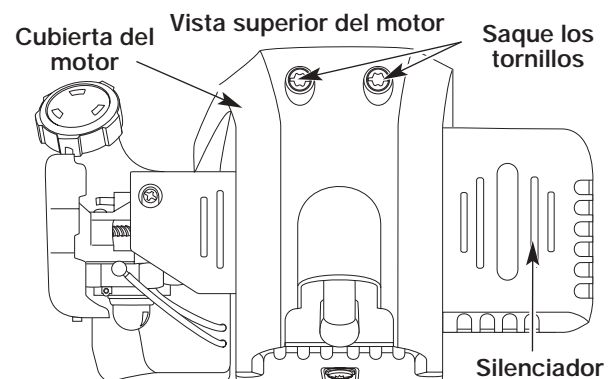


Fig. 68

# INSTRUCCIONES DE MANTENIMIENTO Y REPARACIÓN

3. Saque el tornillo que está detrás de la cubierta del motor (Fig. 69).

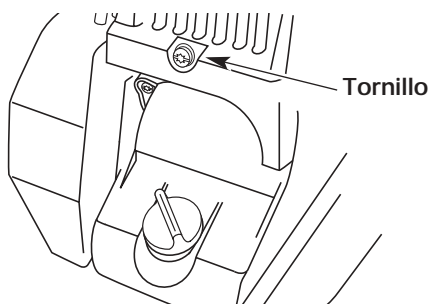


Fig. 69

4. Desconecte el cable de la bujía de encendido.
5. Limpie la suciedad de alrededor de la bujía de encendido. Saque la bujía de encendido de la cabeza del cilindro girando un casquillo de 16mm (5/8 pulgadas) en sentido antihorario.
6. Saque la cubierta del motor (Fig. 68).
7. Limpie la suciedad de alrededor de la cubierta del brazo oscilante. Saque el tornillo que sostiene la cubierta del brazo oscilante con un destornillador grande de vástago plano o con una broca Torx T-25 (Fig. 70). Saque la cubierta y la junta del brazo oscilante.

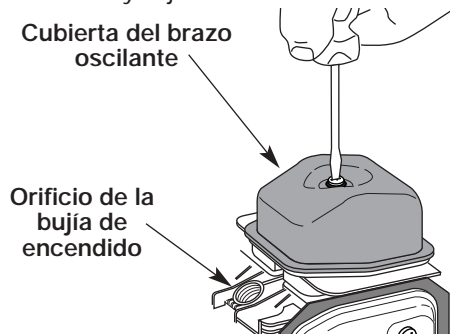


Fig. 70

8. Tire lentamente de la cuerda de arranque para traer el pistón hacia la parte superior de su recorrido (conocido como punto muerto superior). Verifique que:
  - El pistón se encuentre en la parte superior de su recorrido mientras mira dentro del orificio de la bujía de encendido (Fig. 70).
  - Ambos brazos oscilantes se mueven con libertad, y ambas válvulas están cerradas

De no ser así, repita este paso.

9. Deslice la galga entre el brazo oscilante y el resorte de retorno de la válvula. Mida el huelgo entre el vástago de la válvula y el brazo oscilante (Fig. 71). Realice esto en las válvulas de entrada y de escape.

El huelgo recomendado para las válvulas de entrada y de escape es 0,076 – 0,152 mm (0,003 – 0,006 pulgadas). Use un calibrador regular de automóvil de 0,127 mm (0,005 pulgadas). El calibrador debe deslizarse entre el balancín y el vástago de la válvula con una ligera cantidad de resistencia, sin doblarse (Fig. 71 y 72).

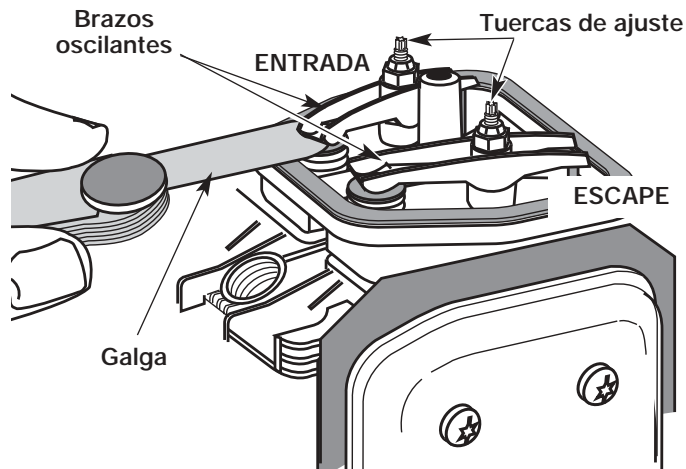


Fig. 71

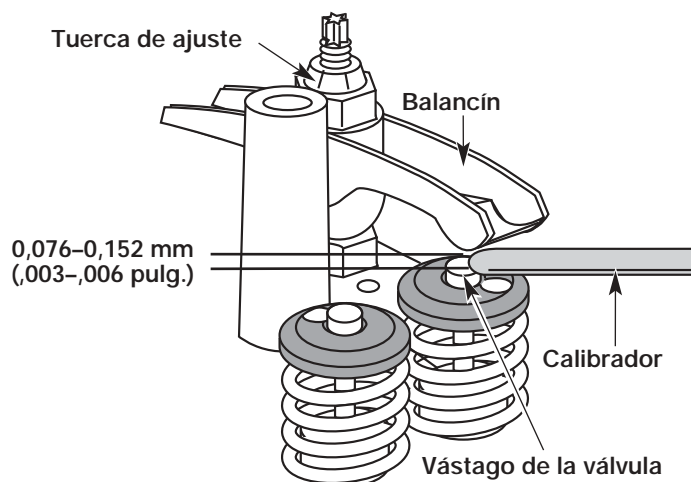


Fig. 72

10. Si el huelgo no se encuentra dentro de las especificaciones:
  - a. Gire la tuerca de ajuste con una llave de 8 mm (5/16 pulgadas) o una guía de tuercas (Fig. 72).
    - Para incrementar el huelgo, gire la tuerca de ajuste en sentido antihorario.
    - Para reducir el huelgo, gire la tuerca de ajuste en sentido horario.
  - b. Vuelva a inspeccionar ambos huelgos, y ajuste si es necesario.
11. Vuelva a instalar la cubierta del brazo oscilante utilizando una nueva junta. Ajuste el tornillo a 2,2–3,4 N•m (20–30 pulgadas•libra).
12. Vuelva a instalar la cubierta del motor. Verifique la alineación de la cubierta antes de ajustar los tornillos. Ajuste los tornillos.
13. Vuelva a colocar la cubierta del silenciador. Deslice las muescas a los lados de la cubierta del silenciador sobre las orejetas de la cubierta del motor y enganche en su lugar (Fig. 67).
14. Inspeccione la bujía de encendido y vuelva a instalar. Lea *Cambio de la Bujía de encendido*.
15. Vuelva a colocar el cable de la bujía de encendido.

# INSTRUCCIONES DE MANTENIMIENTO Y REPARACIÓN

## CAMBIO DE LA BUJÍA DE ENCENDIDO

Use una bujía de encendido 180890. La separación correcta es de 0,655 mm (0,025 pulgadas). Retire la bujía luego de cada 25 horas de operación e inspeccione su estado.

1. Apague el motor y espere que se enfríe. Tome el alambre de la bujía con firmeza y sáquelo de la bujía de encendido.
2. Limpie alrededor de la bujía de encendido. Saque la bujía de encendido de la cabeza del cilindro girando una llave de casquillo de 16 mm (5/8 de pulgada) en sentido antihorario.
3. Cambie las bujías que estén rajadas, sucias o deterioradas. Fije la separación de aire a 0,655 mm (0,025 pulgadas) utilizando un calibrador (Fig. 73).



**PRECAUCIÓN:** No limpie con chorro de arena, ni raspe ni limpie los electrodos. El motor podría dañarse si penetran pequeñas partículas en el cilindro.

4. Instale una bujía de encendido con la separación correcta en la cabeza del cilindro. Ajuste girando la llave de casquillo 16 mm (5/8 de pulgada) en sentido horario hasta que esté ajustada sin huelgo.

Si usa una llave de torsión, ajuste a:

**110-120 pulg. • libras (12.3-13.5 N • m)**

**No ajuste demasiado.**

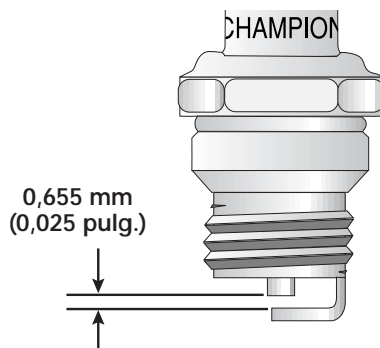


Fig. 73

## MANTENIMIENTO DEL AMORTIGUADOR DE CHISPAS

1. Saque la cubierta del amortiguador de chispas. Lea *Huelgo del brazo oscilante*.
2. Con un destornillador de vástago plano o broca Torx T20, saque el tornillo que conecta la cubierta del amortiguador de chispas al silenciador (Fig. 74).

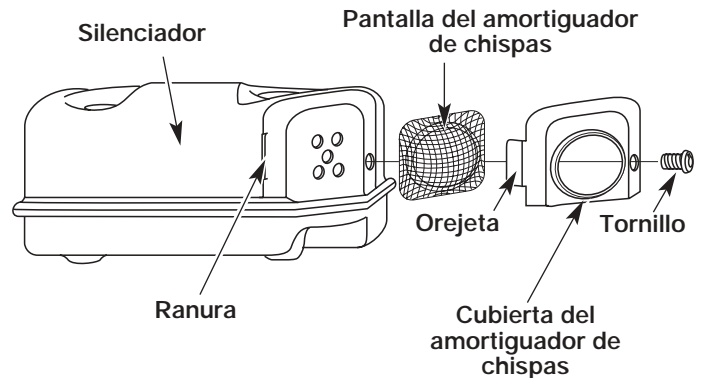


Fig. 74

3. Saque la orejeta de la cubierta del amortiguador de chispas fuera del silenciador. Retire la cubierta del amortiguador de chispas.
4. Saque la pantalla del amortiguador de chispas de la cubierta del amortiguador de chispas.
5. Limpie la pantalla del amortiguador de chispas con un cepillo de alambre, o cámbiela.
6. Vuelva a instalar la pantalla del amortiguador de chispas, la cubierta del amortiguador de chispas y el tornillo.

# INSTRUCCIONES DE MANTENIMIENTO Y REPARACIÓN

## LIMPIEZA



**ADVERTENCIA:** Para evitar graves lesiones personales, apague siempre su unidad y espere que se enfríe antes de limpiarlo o realizar cualquier tipo de mantenimiento.

Use un cepillo pequeño para limpiar la parte exterior de la unidad. No use detergentes fuertes. Los limpiadores domésticos que contienen aceites aromáticos como pino y limón, y con solventes como el queroseno pueden dañar el bastidor de plástico y la manija. Seque toda la humedad con un paño suave.

## ALMACENAMIENTO

- No guarde nunca la unidad con combustible en el tanque donde los vapores puedan llegar a una llama o chispa.
- Espere que el motor se enfríe antes de guardar la unidad.
- Guarde la unidad bajo llave para prevenir el uso por personas no autorizadas y su daño.
- Guarde la unidad en un área seca y bien ventilada.
- Guarde la unidad fuera del alcance de los niños.

## ALMACENAMIENTO POR LARGOS PERIODOS DE TIEMPO

Si debe guardar la unidad durante un largo periodo de tiempo:

1. Drene toda la gasolina del tanque en un recipiente. No use gasolina que haya estado guardada durante más de 60 días. Elimine la gasolina vieja de acuerdo con las normas federales, estatales y locales.
2. Arranque el motor y déjelo funcionar hasta que se ahogue. Esto asegura que toda la gasolina se haya drenado del carburador.

3. Deje enfriar el motor. Saque la bujía de encendido y coloque 1 onza (30 ml) de aceite de motor de buena calidad en el cilindro. Tire de la cuerda de arranque lentamente para distribuir el aceite. Vuelva a instalar la bujía de encendido.

**NOTA:** Saque la bujía de encendido y drene todo el aceite del cilindro antes de intentar usar el recortador luego de haber estado guardado.

4. Cambie el aceite. Lea *Cambio del Aceite*. Elimine el aceite viejo de acuerdo con las normas federales, estatales y locales.
5. Limpie bien la unidad y verifique que no existan partes flojas ni dañadas. Repare o cambie las partes dañadas y ajuste los tornillos, las tuercas o los pernos que estén flojos. La unidad está lista para ser guardada.

## TRANSPORTE

- Deje enfriar el motor antes de transportar la unidad.
- Asegure la unidad durante su transporte.
- Drene el tanque de gasolina antes de transportar la unidad.
- Ajuste la tapa de la gasolina antes de transportar la unidad.

# RESOLUCIÓN DE PROBLEMAS

## EL MOTOR NO ARRANCA

### CAUSA

El control de apagado On/Off está en posición de OFF  
El tanque de combustible está vacío  
La bombilla de cebado no fue oprimida lo suficiente  
El combustible es viejo  
La bujía de encendido está arruinada  
Parachispas obstruido

### ACCIÓN

Gire el control de apagado On/Off a ON  
Llene el tanque con combustible bien mezclado  
Oprima la bombilla de cebado total y lentamente de 10 veces  
Drene el tanque de gasolina / Agregue combustible nueva  
Cambie o limpie la bujía de encendido  
Limpie o cambie el parachispas

## EL MOTOR NO FUNCIONA EN MINIMA

### CAUSA

El filtro de aire está obstruido  
El combustible es viejo  
El carburador no está ajustado en forma correcta

### ACCIÓN

Cambie o limpie el filtro de aire  
Drene el tanque de gasolina / Agregue combustible nueva  
Ajuste según las instrucciones

## EL MOTOR NO ACELERA

### CAUSA

El combustible es viejo  
El carburador no está ajustado en forma correcta  
  
El accesorio de corte está atascado de hierba  
El filtro de aire está sucio  
Parachispas obstruido

### ACCIÓN

Drene el tanque de gasolina / Agregue combustible nueva  
Lleve la unidad a un proveedor de servicio autorizado para hacer un ajuste de carburador  
Pare el motor y limpie el accesorio de corte  
Limpie o cambie el filtro de aire  
Limpie o cambie el parachispas

## EL MOTOR NO TIENE SUFICIENTE POTENCIA O SE AHOGA AL CORTAR

### CAUSA

El combustible es viejo  
El carburador no está ajustado en forma correcta  
  
La bujía de encendido está arruinada  
Parachispas obstruido

### ACCIÓN

Drene el tanque de gasolina / Agregue combustible nueva  
Lleve la unidad a un proveedor de servicio autorizado para hacer un ajuste de carburador  
Cambie o limpie la bujía de encendido  
Limpie o cambie el parachispas

## LA CABEZA DE CORTE NO HACE AVANZAR LINEA

### CAUSA

El accesorio de corte está atascado de hierba  
El accesorio de corte no tiene línea  
El carrete interior está trabado  
La cabeza de corte está sucia  
La línea se ha soldado  
La línea se retorció al reponerla  
No hay suficiente línea expuesta

### ACCIÓN

Pare el motor y limpie el accesorio de corte  
Coloque una línea nueva  
Cambie el carrete interior  
Limpie el carrete interior y la bobina exterior  
Desarme, saque la sección soldada y rebobine la línea  
Desarme y rebobine la línea  
Oprima el botón de tope y tire de la línea hasta sacar 102 mm (4 pulgadas) de línea fuera del accesorio de corte.

## LA LÍNEA DE CORTE AVANZA SIN CONTROL

### CAUSA

El cabezal de corte tiene aceite

### ACCIÓN

Limpie el aditamento de corte

Si necesita asistencia adicional, comuníquese con su proveedor de servicio autorizado.

# ESPECIFICACIONES

## MOTOR\*

Tipo de motor.....	Enfriado por aire, 4 ciclos
Desplazamiento .....	26,2 cc (1,6 pulgadas cúbicas)
R.P.M. de operación.....	7.200+ r.p.m.
R.P.M. de velocidad mínima .....	2.800 - 3.600 r.p.m.
Tipo de encendido .....	Electrónico
Interruptor de encendido .....	Interruptor oscilante
Huelgo de la válvula .....	0,076–0,152 mm (0,003–0,006 pulg)
Separación de la bujía de encendido.....	0,655 mm (0,025 pulg)
Lubricación.....	Aceite SAE 30
Capacidad de aceite del cárter del cigüeñal .....	100 ml (3,4 onzas)
Combustible.....	Sin plomo
Carburador .....	Diafragma, multiposicional
Arranque.....	Bobinado automático
Silenciador .....	Amortiguado con protección
Regulador.....	Retorno manual del resorte
Capacidad del tanque de combustible.....	355 ml (12 onzas)

## EJE IMPULSOR Y ACCESORIO DE CORTE\*

Control del regulador.....	Gatillo para el dedo
Peso de la unidad (sin combustible, con la manija, el protector y el accesorio de corte) .....	5,4-6 kg (12-13,5 libras)
Mecanismo de corte .....	Cabeza de corte de cuerda doble (BL26BC: Cuchilla de corte de 4 dientes)
Bobina de la línea .....	Desprendedor percusivo de línea
Diámetro de la bobina de la línea.....	76,2 mm (3 pulgadas)
BL26BC Diámetro de la bobina de la línea .....	101,6 mm (4 pulgadas)
Diámetro de la línea de corte .....	2,03 mm (0,080 pulgadas)
BL26BC Diámetro de la línea de corte.....	2,41 mm (0,095 pulgadas)
BL26C0 & BL26SS Diámetro de la trayectoria de corte, accesorio de corte .....	43,18 cm (17 pulgadas)
BL26BC Diámetro de la trayectoria de corte, accesorio de corte .....	45,7 cm (18 pulgadas)

\*Toda las especificaciones contenidas en este manual se basan en la información más reciente disponible en el momento de impresión del manual. Nos reservamos el derecho de hacer cambios en cualquier momento sin aviso previo.

# Declaración de Garantía de Control de Emisiones de la EPA / California

## Sus Derechos y Obligaciones de la Garantía

La Junta de Recursos del Aire de California, la Agencia de Protección Ambiental y MTD LLC (MTD) se complacen en explicar la garantía del sistema de control de emisiones para su pequeño motor para uso fuera de la carretera del 2000 y posterior. Los nuevos motores pequeños para uso fuera de la carretera tienen que diseñarse, construirse y equiparse para cumplir las normas contra smog más estrictas. MTD tiene que garantizar el sistema de control de emisiones de su pequeño motor para uso fuera de la carretera durante los períodos de tiempo que aparecen a continuación siempre que no haya habido abuso, negligencia o mantenimiento indebido de su motor para uso fuera de la carretera.

Su sistema de control de emisiones puede incluir piezas como el carburador y el sistema de inyección de combustible, el sistema de encendido y el convertidor del catalizador. También se pueden incluir mangueras, correas, conectores y otros conjuntos relacionados con la emisión.

Donde existan las condiciones de garantía, MTD reparará su pequeño motor para uso fuera de la carretera sin costo alguno para usted incluyendo el diagnóstico, las piezas y la mano de obra.

Los pequeños motores para uso fuera de la carretera del 2000 y posteriores, se garantizan por dos años. Si alguna pieza de su motor relacionada con la emisión está defectuosa, la pieza será reparada o reemplazada por MTD.

### Responsabilidades de Garantía de los Propietarios

Como propietario del pequeño motor para uso fuera de la carretera, usted es responsable de realizar el mantenimiento requerido que aparece en el manual del operador. MTD recomienda que conserve todos los comprobantes que cubren el mantenimiento de su pequeño motor para uso fuera de la carretera, pero MTD no puede negar garantía exclusivamente por la falta de comprobantes o por que usted no haya realizado todos los mantenimientos programados.

Como propietario del pequeño motor para uso fuera de la carretera, usted debe conocer que MTD puede negarle cobertura de garantía si su pequeño motor para uso fuera de la carretera o una pieza ha fallado debido a abuso, negligencia, mantenimiento inadecuado o modificaciones no aprobadas.

Usted es responsable de presentar su pequeño motor para uso fuera de la carretera a un Centro de Servicio Autorizado MTD tan pronto como exista un problema. Las reparaciones de garantía deben completarse en un período de tiempo razonable, el cual no deberá ser mayor de 30 días.

Si tiene alguna pregunta relacionada con los derechos y responsabilidades de la garantía, debe llamar al 1-800-345-8746.

### Cobertura de Garantía del Fabricante

El período de garantía comienza en la fecha en que el motor o equipo se entrega al comprador minorista.

El fabricante garantiza al propietario original y a cada comprador subsiguiente, que el motor está libre de defectos en cuanto a material y mano de obra que ocasionen la falla de una pieza bajo garantía durante un período de dos años.

La reparación o reemplazo de una pieza bajo garantía se llevará a cabo sin cargo alguno para el propietario en un Centro de Servicio MTD Autorizado. Para conocer el establecimiento más cercano, comuníquese con MTD llamando al: 1-800-345-8746.

Cualquier pieza bajo garantía que no esté programada para ser reemplazada, según indica el mantenimiento requerido o que esté programada solamente para inspección regular a los efectos de "Repáre o Reemplace según sea Necesario" está garantizada durante el período de garantía. Cualquier pieza bajo garantía que esté programada para ser reemplazada según indica el mantenimiento requerido tendrá garantía durante el período de tiempo hasta el primer punto de reemplazo programado para dicha pieza.

No se le cobrará al propietario la mano de obra de diagnóstico que conlleve a la determinación de que una pieza bajo garantía está defectuosa, si dicho trabajo de diagnóstico se lleva a cabo en un Centro de Servicio MTD Autorizado.

El fabricante es responsable de los daños ocasionados a otros componentes del motor producidos por la falla de una pieza bajo garantía que todavía esté bajo garantía.

Las fallas ocasionadas por abuso, negligencia o mantenimiento inadecuado no están cubiertas por la garantía.

El uso de accesorios optativos o piezas modificadas puede ser motivo justificado para no aceptar una reclamación de garantía. El fabricante no es responsable de cubrir fallas de piezas bajo garantía ocasionadas por el uso de accesorios optativos o piezas modificadas.

Para presentar una reclamación, vaya a su Centro de Servicio MTD Autorizado más cercano. Los servicios o reparación por motivo de garantía se realizarán en todos los Centros de Servicio MTD Autorizados.

Cualquier pieza de reemplazo aprobada por el fabricante puede ser utilizada para llevar a cabo el mantenimiento o la reparación de garantía de piezas relacionadas con la emisión y se realizará sin cargo alguno para el propietario. Cualquier pieza de reemplazo que sea equivalente en rendimiento o durabilidad puede ser utilizada en el mantenimiento o reparación sin garantía y no reducirá las obligaciones de garantía del fabricante.

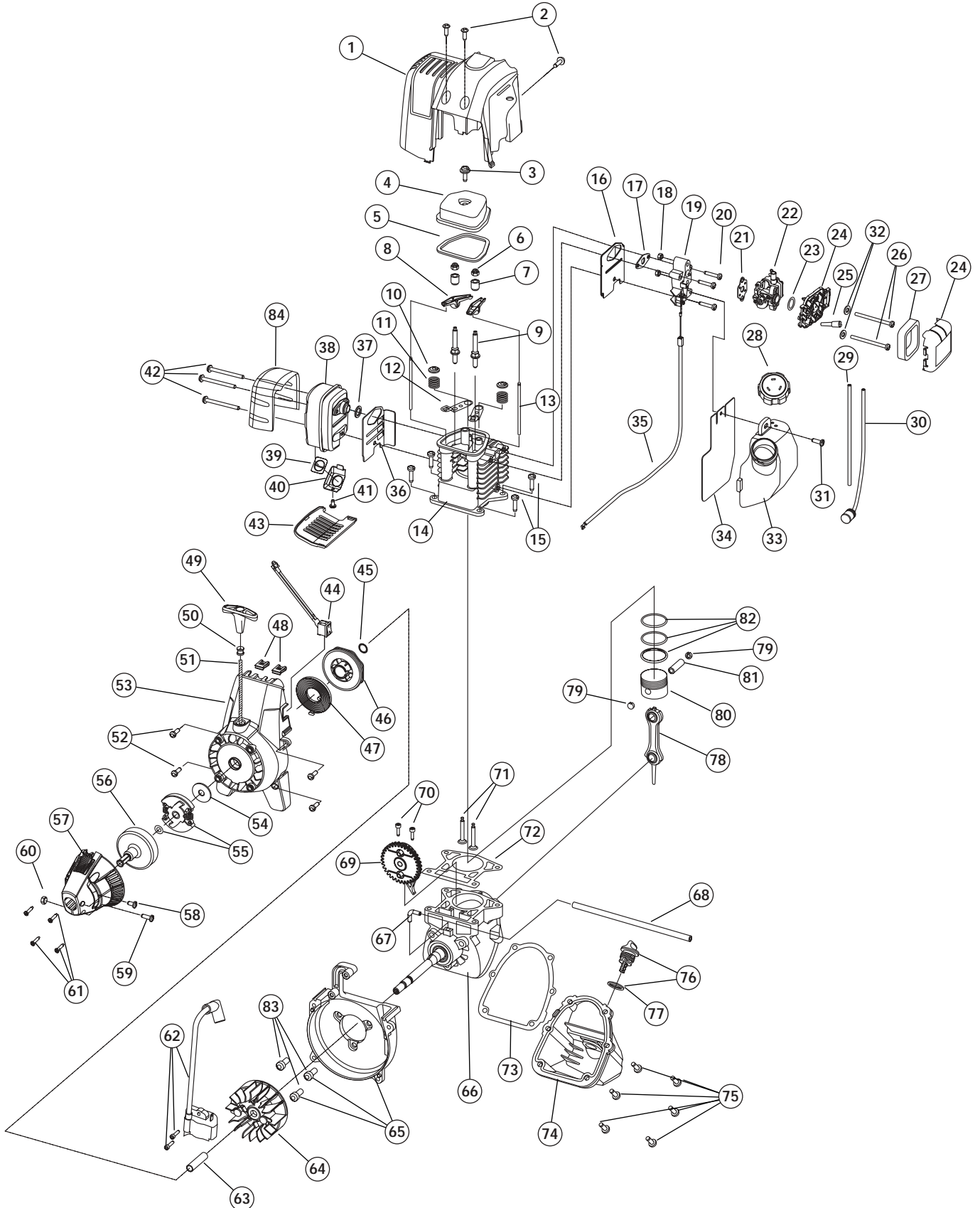
Los componentes siguientes se incluyen en la garantía relacionada con emisiones del motor, filtro de aire, carburador, cebador, líneas de combustible, toma de combustible, filtro de combustible, módulo de encendido, bujía de encendido y silenciador.

# NOTES



# PARTS LIST

## ENGINE PARTS - MODELS BL26CO & BL26SS 4-CYCLE GAS TRIMMER



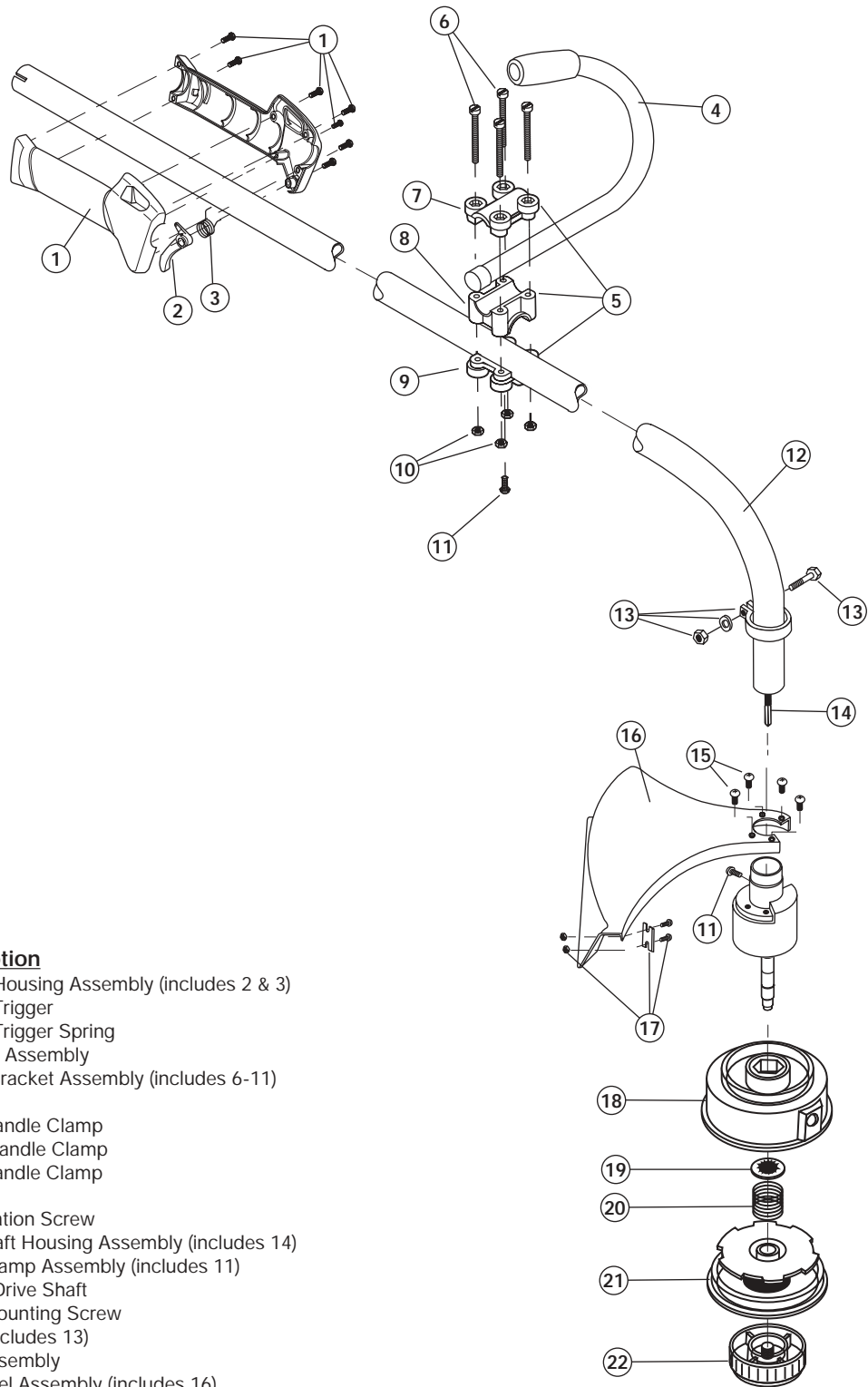
# PARTS LIST

## ENGINE PARTS - MODELS BL26CO & BL26SS 4-CYCLE GAS TRIMMER

<u>Item</u>	<u>Part No.</u>	<u>Description</u>	<u>Item</u>	<u>Part No.</u>	<u>Description</u>
1	753-1222	Engine Cover	45	753-04288	Pulley Retainer
2	753-04994	Engine Cover Screws	46	753-1199	Recoil Pulley
3	791-181025	Valve Cover Screw	47	753-04286	Recoil Spring
4	791-182098	Valve Cover	48	791-182366	Nut Clip
5	791-182099	Valve Cover Gasket	49	791-181079	Pull Handle
6	791-182340	Rocker Adjustment Nut	50	791-611061	Rope Guide
7	791-182101	Rocker Arm Pivot	51	791-613103	Rope
8	791-182100	Rocker Arm	52	791-181020	Starter Housing Screw
9	791-182341	Rocker Arm Stud	53	753-04879	Starter Housing Assembly (includes 45-52)
10	791-182103	Valve Spring Retainer	54	791-182396	Clutch Washer
11	791-181038	Valve Spring	55	753-1238	Clutch with Spacer
12	791-182102	Push Rod Guide	56	791-153592	Clutch Drum
13	791-181033	Push Rod	57	753-1239	Clutch Cover
14	753-04816	Cylinder Assembly (includes 9, 12, 15, 71 & 72)	58	791-145569	Anti-Rotation Screw
15	791-181003	Cylinder Screw	59	753-1240	Screw
16	753-1226	Intake Baffle	60	753-1241	Nut
17	791-182749	Carburetor Mount Gasket	61	791-181345	Clutch Cover Screw
18	791-181034	Nut	62	791-182725	Ignition Module Assembly
19	791-182347	Carburetor Mount (includes 18)	63	791-181065	Spacer
20	791-182348	Carburetor Mount Screw	64	791-182736	Flywheel
21	791-182732	Carburetor Gasket	65	791-182743	Shroud Assembly (includes 83)
22	753-1225	Carburetor with Primer	66	791-182376	Crankcase Assembly (includes 67 & 68)
23	791-181751	O-Ring, Carburetor	67	791-182375	Breather Fitting
24	791-182350	Air Filter Assembly	68	791-182379	Breather Hose
25	791-182097	Breather Tube	69	753-04919	Cam Bracket Assembly
26	791-181750	Air Filter Mounting Screw	70	791-181012	Cam Bracket Screw
27	791-181757	Air Filter	71	791-181040	Valves, Intake and Exhaust
28	753-04084	Fuel Cap	72	791-182374	Cylinder Gasket
29	791-182352	Fuel Return Line	73	791-181018	Oil Pan Gasket
30	791-182353	Fuel Pick-Up Line with Filter	74	791-182377	Oil Pan (includes 73 & 75)
31	753-04510	Screw	75	791-181020	Oil Pan Screw
32	791-182409	Washer	76	791-182378	Dipstick Assembly (includes 77)
33	791-182355	Fuel Tank Assembly (includes 28-30)	77	791-182290	O-Ring
34	791-182356	Fuel Tank Shield	78	791-181009	Connecting Rod
35	753-1231	Throttle Cable	79	791-181008	Wrist Pin Button
36	753-1232	Muffler Baffle	80	753-04878	Piston
37	791-181048	Muffler Gasket	81	791-181006	Wrist Pin
38	791-182359	Muffler (includes 37, 39-41)	82	753-04801	Piston Ring Set
39	791-180890	Spark Arrestor Screen	83	791-181861	Shroud Screw
40	791-181045	Screen Cover	84	753-1233	Heat Shield
41	791-181046	Screw	*	791-180852B	Spark Plug
42	791-182361	Muffler Mounting Screw	*	753-04087	Short Block Assembly (includes 3-14, 65-82)
43	753-04092	Muffler Cover			
44	791-182365	Switch Assembly	*		Parts not shown

# BL26C0 PARTS LIST

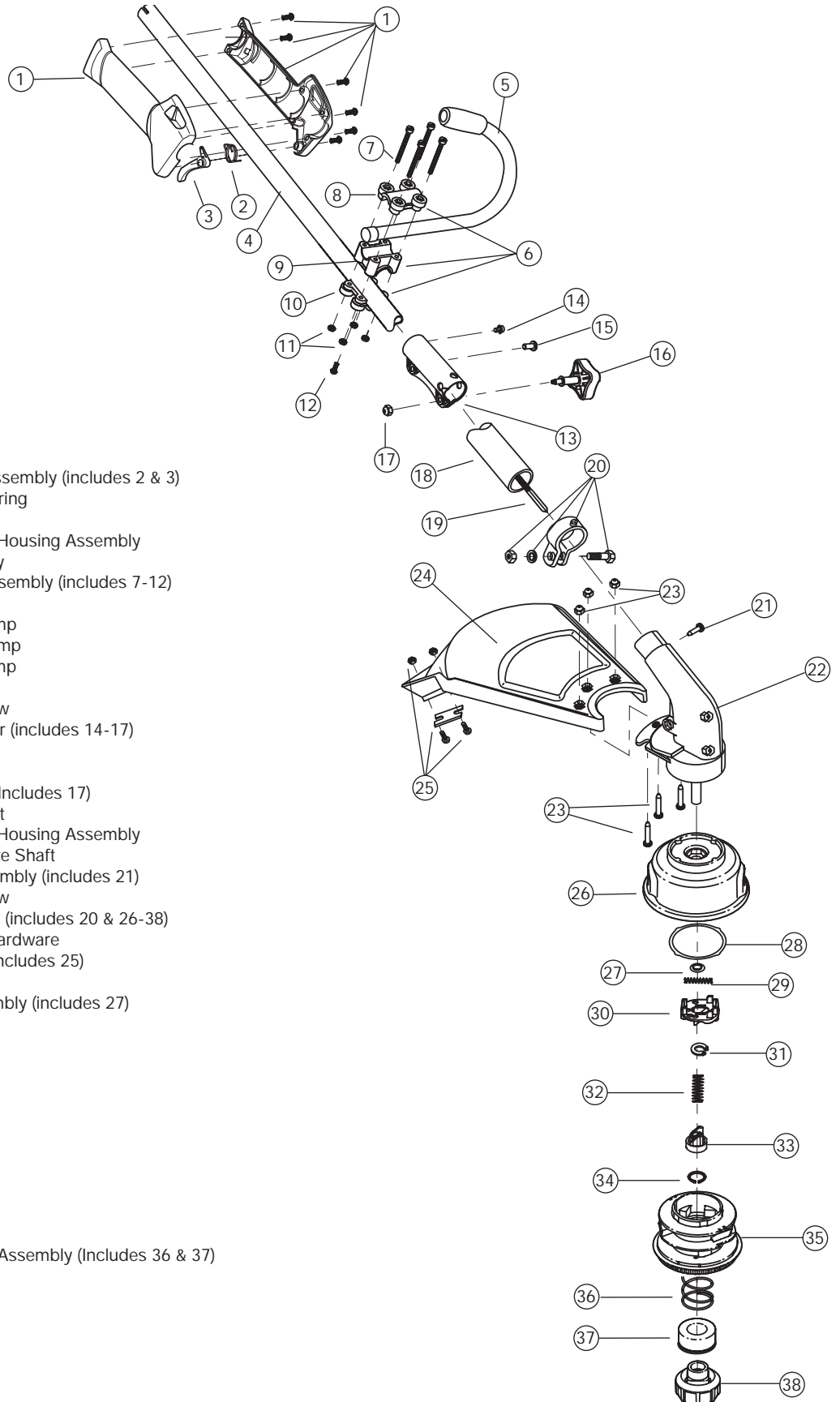
## BOOM AND TRIMMER PARTS - MODEL BL26C0 4-CYCLE GAS TRIMMER



Item	Part No.	Description
1	753-04294	Throttle Housing Assembly (includes 2 & 3)
2	791-610314	Throttle Trigger
3	753-04295	Throttle Trigger Spring
4	791-683815	J-Handle Assembly
5	791-683295	Handle Bracket Assembly (includes 6-11)
6	791-181811	Screw
7	791-181812	Upper Handle Clamp
8	791-181813	Middle Handle Clamp
9	791-181814	Lower Handle Clamp
10	791-181815	Nut
11	791-145569	Anti-Rotation Screw
12	753-04301	Drive Shaft Housing Assembly (includes 14)
13	791-153597	Lower Clamp Assembly (includes 11)
14	791-182839	Flexible Drive Shaft
15	791-180531	Guard Mounting Screw
16	791-181659	Guard (includes 13)
17	791-181823	Blade Assembly
18	791-153619	Outer Reel Assembly (includes 16)
19	791-610660	Retainer
20	791-610317B	Spring
21	753-1155	Inner Reel
22	791-153066B	Bump Knob

# BL26SS PARTS LIST

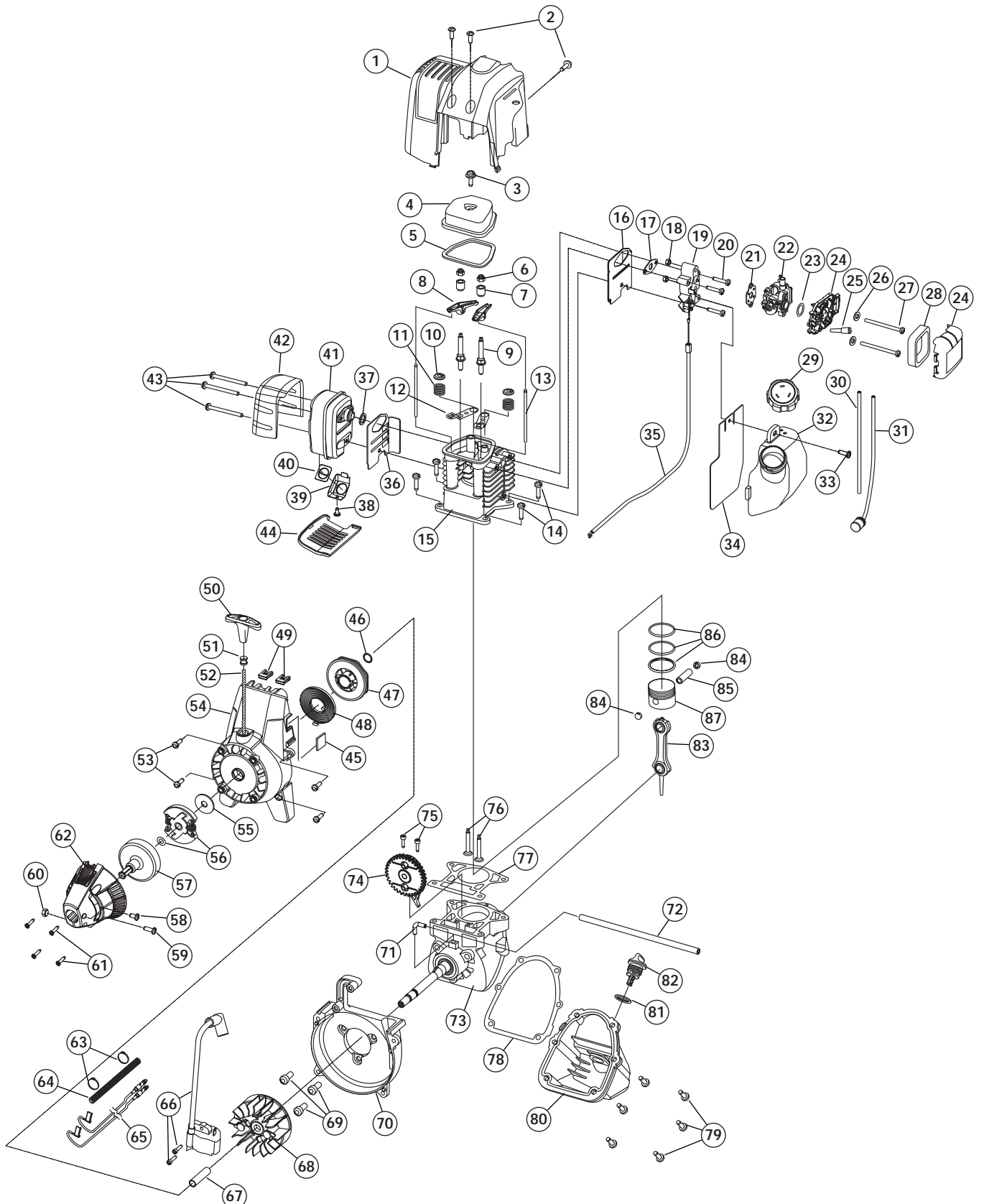
## BOOM AND TRIMMER PARTS - MODEL BL26SS 4-CYCLE GAS TRIMMER



Item	Part No.	Description
1	753-04294	Throttle Housing Assembly (includes 2 & 3)
2	791-610314	Throttle Trigger Spring
3	753-04295	Throttle Trigger
4	753-04503	Upper Drive Shaft Housing Assembly
5	791-180687	J-Handle Assembly
6	791-683295	Handle Bracket Assembly (includes 7-12)
7	791-181811	Screw
8	791-181812	Upper Handle Clamp
9	791-181813	Middle Handle Clamp
10	791-181814	Lower Handle Clamp
11	791-181815	Nut
12	791-145569	Anti-Rotation Screw
13	791-181616B	Split Boom Coupler (includes 14-17)
14	791-182057	Screw
15	791-181617	Bolt
16	791-181618B	Adjustment Knob (Includes 17)
17	753-04386	Knob Retaining Nut
18	753-04089	Lower Drive Shaft Housing Assembly
19	791-181166	Lower Flexible Drive Shaft
20	791-153597	Lower Clamp Assembly (includes 21)
21	791-145569	Anti-Rotation Screw
22	791-181470	Gearbox Assembly (includes 20 & 26-38)
23	791-180547	Shield Mounting Hardware
24	791-180548	Shield Assembly (includes 25)
25	791-180553	Blade Assembly
26	791-181457	Outer Spool Assembly (includes 27)
27	791-181458	Retainer
28	791-181561	Thrust Washer
29	791-181459	Small Spring
30	753-04257	Slider
31	791-181532	E-Clip
32	791-181531	Spring
33	791-181462	Plunger
34	791-181463	C-Clip
35	791-181464	Inner Reel
36	791-181465B	Large Spring
37	791-181467	Foam Seal
38	791-181468B	Bump Head Knob Assembly (Includes 36 & 37)

# BL26BC PARTS LIST

## ENGINE PARTS - BL26BC 4-CYCLE GAS TRIMMER/ BRUSHCUTTER



# BL26BC PARTS LIST

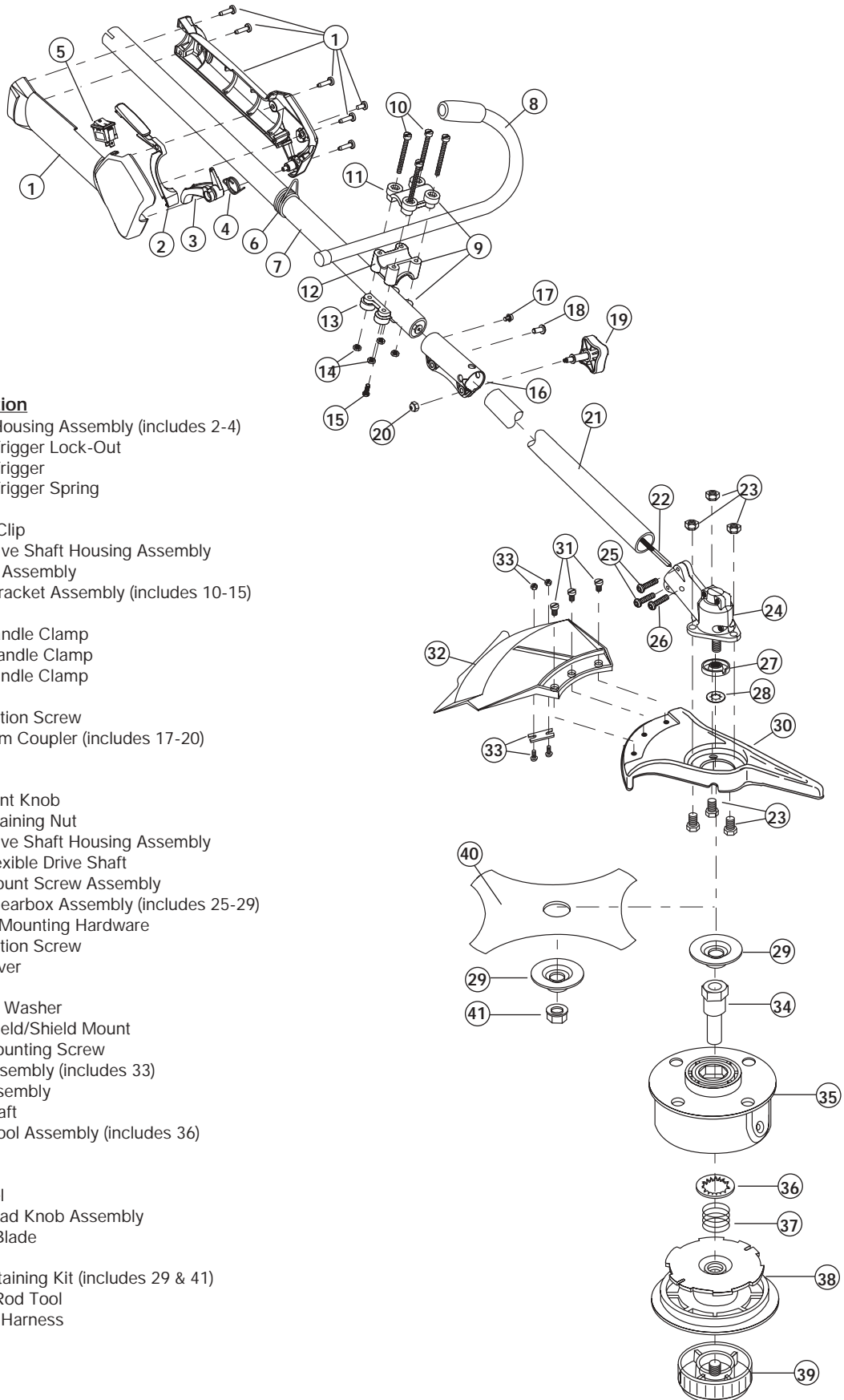
## ENGINE PARTS -BL26BC 4-CYCLE GAS TRIMMER/ BRUSHCUTTER

<u>Item</u>	<u>Part No.</u>	<u>Description</u>	<u>Item</u>	<u>Part No.</u>	<u>Description</u>
1	753-1222	Engine Cover	46	753-04288	Pulley Retainer
2	753-04994	Engine Cover Screws	47	753-1199	Recoil Pulley
3	791-181025	Valve Cover Screw	48	753-04286	Recoil Spring
4	791-182098	Valve Cover	49	791-182366	Nut Clip
5	791-182099	Valve Cover Gasket	50	791-181079	Pull Handle
6	791-182340	Rocker Adjustment Nut	51	791-611061	Rope Guide
7	791-182101	Rocker Arm Pivot	52	791-613103	Rope
8	791-182100	Rocker Arm	53	791-181020	Starter Housing Screw
9	791-182341	Rocker Arm Stud	54	753-04879	Starter Housing Assembly (includes 46-53)
10	791-182103	Valve Spring Retainer	55	791-182396	Clutch Washer
11	791-181038	Valve Spring	56	753-1238	Clutch with Spacer
12	791-182102	Push Rod Guide	57	791-153592	Clutch Drum
13	791-181033	Push Rod	58	791-145569	Anti-Rotation Screw
14	791-181003	Cylinder Screw	59	753-1240	Screw
15	753-04816	Cylinder Assembly (includes 9, 12, 15, 76 & 77)	60	753-1241	Nut
16	753-1226	Intake Baffle	61	791-181345	Clutch Cover Screw
17	791-182749	Carburetor Mount Gasket	62	753-1239	Clutch Cover
18	791-181034	Nut	63	791-160428	Cable Clamp
19	791-182347	Carburetor Mount (includes 18)	64	753-04098	Wire Cover
20	791-182348	Carburetor Mount Screw	65	791-182804	Wire Leads
21	791-182732	Carburetor Gasket	66	791-182725	Ignition Module Assembly
22	753-1225	Carburetor with Primer	67	791-181065	Spacer
23	791-181751	O-Ring, Carburetor	68	791-182736	Flywheel
24	791-182350	Air Filter Assembly	69	791-181861	Shroud Screw
25	791-182097	Breather Tube	70	791-182743	Shroud Assembly (includes 69)
26	791-182409	Washer	71	791-182375	90° Elbow
27	791-181750	Air Filter Mounting Screw	72	791-182379	Breather Hose
28	791-181757	Air Filter	73	791-182376	Crankcase Assembly (includes 71 & 72)
29	753-04084	Fuel Cap	74	753-04919	Cam Bracket Assembly
30	791-182352	Fuel Return Line	75	791-181012	Cam Bracket Screw
31	791-182353	Fuel Pick-Up Line with Filter	76	791-181040	Valves, Intake and Exhaust
32	791-182355	Fuel Tank Assembly (includes 29-31)	77	791-182374	Cylinder Gasket
33	753-04510	Screw	78	791-181018	Oil Pan Gasket
34	791-182356	Fuel Tank Shield	79	791-181020	Oil Pan Screw
35	753-1231	Throttle Cable	80	791-182377	Oil Pan (includes 78 & 79)
36	753-1232	Muffler Baffle	81	791-182290	O-Ring
37	791-181048	Muffler Gasket	82	791-182378	Dipstick Assembly (includes 81)
38	791-181046	Screw	83	791-181009	Connecting Rod
39	791-181045	Screen Cover	84	791-181008	Wrist Pin Button
40	791-180890	Spark Arrestor Screen	85	791-181006	Wrist Pin
41	791-182359	Muffler (includes 37-40)	86	753-04801	Piston Ring Set
42	753-1233	Heat Shield	87	753-04878	Piston (includes 86)
43	791-182361	Muffler Mounting Screw	*	791-180852B	Spark Plug
44	753-04092	Muffler Cover	*	753-04087	Short Block Assembly (includes 3-15, 69-87)
45	791-182537	Grommet			

\* Parts not shown

# BL26BC PARTS LIST

## BOOM AND TRIMMER PARTS -BL26BC 4-CYCLE GAS TRIMMER/ BRUSHCUTTER



Item	Part No.	Description
1	753-04339	Throttle Housing Assembly (includes 2-4)
2	753-04340	Throttle Trigger Lock-Out
3	791-00058	Throttle Trigger
4	791-182690	Throttle Trigger Spring
5	791-182673	Switch
6	791-610327	Harness Clip
7	753-04503	Upper Drive Shaft Housing Assembly
8	791-181099	J-Handle Assembly
9	791-683295	Handle Bracket Assembly (includes 10-15)
10	791-181811	Screw
11	791-181812	Upper Handle Clamp
12	791-181813	Middle Handle Clamp
13	791-181814	Lower Handle Clamp
14	791-181815	Nut
15	791-145569	Anti-Rotation Screw
16	791-181616B	Split Boom Coupler (includes 17-20)
17	791-182057	Screw
18	791-181617	Bolt
19	791-181618B	Adjustment Knob
20	753-04386	Knob Retaining Nut
21	791-182541	Lower Drive Shaft Housing Assembly
22	791-613300	Lower Flexible Drive Shaft
23	791-182200	Shield Mount Screw Assembly
24	791-182193	2 piece Gearbox Assembly (includes 25-29)
25	791-182195	Gearbox Mounting Hardware
26	791-145569	Anti-Rotation Screw
27	791-182196	Blade Driver
28	753-04348	Palnut
29	791-147490	Retaining Washer
30	791-147492	Blade Shield/Shield Mount
31	791-683304	Shield Mounting Screw
32	753-1191	Shield Assembly (includes 33)
33	791-682061	Blade Assembly
34	791-612483	Spool Shaft
35	791-683301	Outer Spool Assembly (includes 36)
36	791-612026	Retainer
37	791-610636B	Spring
38	791-147495	Inner Reel
39	791-180814B	Bump Head Knob Assembly
40	791-145873B	4-Tooth Blade
41	791-181699	Nut
*	791-180014B	Blade Retaining Kit (includes 29 & 41)
*	791-613226	Locking Rod Tool
*	791-682075B	Shoulder Harness

\* Items Not Shown

# GARANTÍA LIMITADA DEL FABRICANTE PARA:



La garantía limitada establecida a continuación es dada por MTD LLC ("MTD") con respecto a mercancía nueva que sea comprada y usada en los Estados Unidos, sus posesiones y territorios.

MTD garantiza este producto contra defectos en el material y la mano de obra durante un período de dos (2) años, a partir de la fecha de compra original y a su entera opción, arreglará o substituirá, sin costo alguno, cualquier pieza cuyo material o mano de obra se considere defectuoso. Esta garantía limitada se deberá aplicar únicamente si este producto ha sido manejado y mantenido de acuerdo al Manual del Operador incluido con el producto y, si no ha sido sometido a mal uso, abuso, uso comercial, accidente, mantenimiento inapropiado, alteración, vandalismo, hurto, fuego, agua o daños debidos a otros riesgos o desastre natural. Los daños ocasionados por la instalación o el uso de cualquier accesorio o aditamento que no esté aprobado por MTD para que sea usado con el (los) producto(s) contemplados en este manual, anularán la garantía con respecto a cualquier daño resultante. Esta garantía está limitada a noventa (90) días a partir de la fecha de compra original de cualquier producto MTD que se use para alquiler o para propósitos comerciales, o cualquier otro propósito que genere ingreso.

**CÓMO OBTENER SERVICIO:** El servicio de garantía se encuentra disponible A TRAVÉS DE SU DISTRIBUIDOR LOCAL AUTORIZADO, AL PRESENTAR UN COMPROBANTE DE COMPRA. Para ubicar al distribuidor de su área, por favor consulte las Páginas Amarillas o contacte al Departamento de Servicio al Consumidor de MTD LLC llame al 1-800-345-8746 o, escriba a P.O. Box 361131, Cleveland OH 44136-0019. Si está en Canadá, llame al 1-800-668-1238. No se aceptará ningún producto que sea enviado directamente a la fábrica, a menos que haya recibido autorización previa por escrito por parte del Departamento de Servicio al Consumidor de MTD LLC.

**Esta garantía limitada no ofrece cobertura en los siguientes casos:**

- A. Sincronizaciones — Bujías, ajustes de carburadores, filtros.
- B. Artículos de desgaste — Botón de tope, carretes externos, línea de corte, carretes internos, polea de arranque, cuerdas de arranque, correas motoras.
- C. MTD no le ofrece ninguna garantía a productos que sean vendidos o exportados fuera de los Estados Unidos de Norteamérica, sus posesiones y territorios, excepto aquellos que se vendan a través de los canales de distribución para exportación autorizados por MTD.

MTD se reserva el derecho a cambiar o mejorar el diseño de cualquier producto MTD, sin asumir ninguna obligación para modificar ningún producto fabricado con anterioridad.

Ninguna garantía implícita es aplicable, incluyendo cualquier garantía implícita de comerciabilidad o idoneidad para un propósito particular, después del período de la garantía expresa escrita con anterioridad, con respecto a las piezas identificadas. Ninguna otra garantía expresa dada por cualquier persona o entidad, incluyendo a los distribuidores o minoristas, bien sea escrita u oral, deberá comprometer a MTD con respecto a cualquier producto. Durante el período de la Garantía, la solución exclusiva es arreglar o cambiar el producto de la manera establecida anteriormente. (Algunos estados no permiten limitaciones en cuanto al período de duración de una garantía implícita, de manera que puede que la limitación anterior no sea aplicable para usted.)

Las estipulaciones establecidas en esta Garantía ofrecen la solución única y exclusiva que resulte de las ventas. MTD no deberá ser responsable de pérdidas o daños incidentales o consecuentes que incluyen, sin limitación, erogación de gastos debido a la sustitución de servicios de mantenimiento de prados, transporte o gastos relacionados, o gastos de alquiler para reemplazar temporalmente un producto bajo garantía. (Algunos estados no permiten limitaciones en cuanto al período de duración de una garantía implícita, de manera que puede que la limitación anterior no sea aplicable para usted.)

La recuperación de cualquier tipo no deberá ser superior al precio de compra del producto vendido en ningún caso. La alteración de las características de seguridad del producto deberá anular la garantía. Usted asume el riesgo y la obligación de la pérdida, daño o lesión en su persona o a su propiedad y / o la de otras personas y sus propiedades, que se origine a raíz del uso o mal uso, o la falta de capacidad para usar el producto.

Esta garantía limitada no deberá cubrir a ninguna otra persona distinta al comprador original, arrendatario original, o la persona para la que se compró en calidad de regalo.

**Relación de las leyes estatales con esta Garantía:** Esta garantía le confiere derechos legales específicos, y puede que usted también tenga otros derechos, los cuales varían en cada estado.

Para ubicar a su distribuidor de servicio más cercano, llame al 1-800-345-8746 en los Estados Unidos a al 1-800-668-1238 en Canadá.

**MTD LLC**  
P.O. Box 361131  
Cleveland, OH 44136-0019



## Free Manuals Download Website

<http://myh66.com>

<http://usermanuals.us>

<http://www.somanuals.com>

<http://www.4manuals.cc>

<http://www.manual-lib.com>

<http://www.404manual.com>

<http://www.luxmanual.com>

<http://aubethermostatmanual.com>

Golf course search by state

<http://golfingnear.com>

Email search by domain

<http://emailbydomain.com>

Auto manuals search

<http://auto.somanuals.com>

TV manuals search

<http://tv.somanuals.com>