

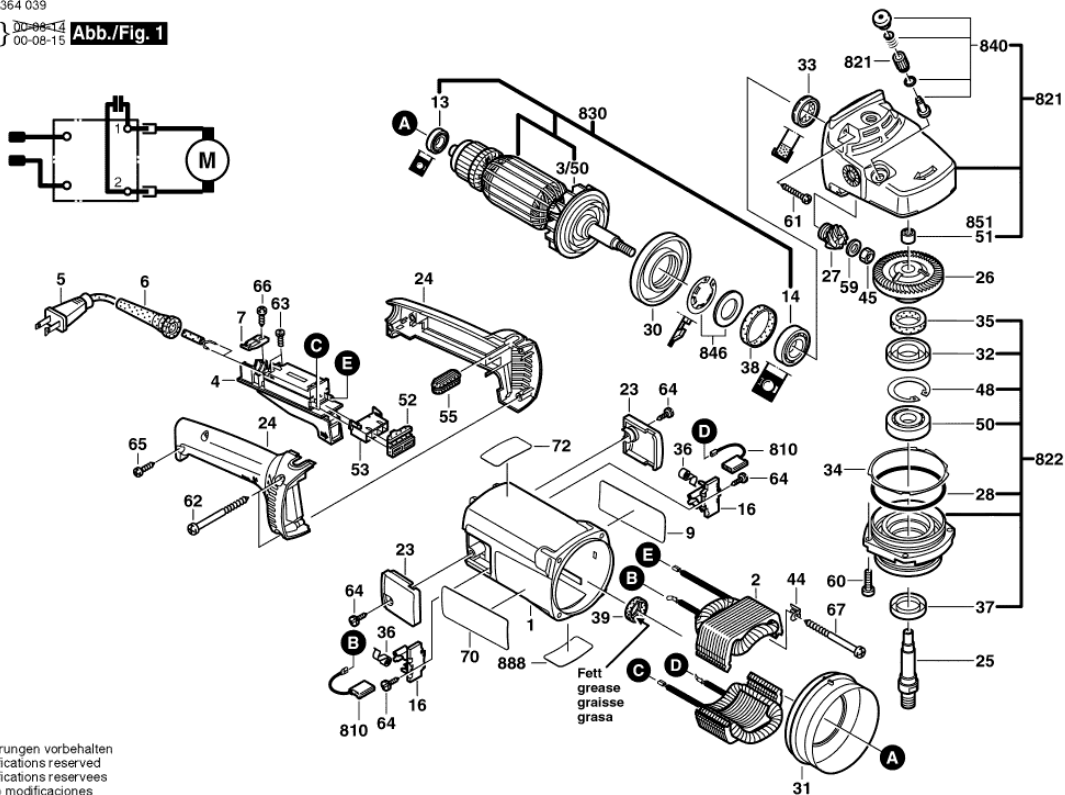


0 601 364 039 ANGLE GRINDER 1364

27.02.2007
16:34:41

0 601 364 039

Stand ~~00-08-14~~
Issue J 00-08-15 **Abb./Fig. 1**



Anderungen vorbehalten
Modifications reserved
Modificaciones reservadas
Salvo modificaciones

Item	Quantity	Order No.	Designation	Price group	Page
1	1	1 605 108 145	MOTOR HOUSING \ BLACK	31	1
2	1	1 604 220 387	FIELD \ 100-120V	39	1
3/50	1	1 606 610 127	FAN	14	1
4	1	1 607 200 104	ON-OFF SWITCH	31	1
5	1	1 604 460 133	POWER SUPPLY CORD \ USA/CDN 2,15m 2 x 2,08mm SJ 14/2	27	1
6	1	1 600 703 023	GROMMET \ Ø10,5-Ø11x100 MM	12	1
7	1	1 601 302 018	FASTENING CLAMP	11	1
9	1	2 610 906 991	MANUFACTURER'S NAMEPLATE	15	1
13	1	1 600 905 011	DEEP-GROOVE BALL BEARING \ Ø8xØ22x7 MM	18	1
14	1	1 600 905 009	DEEP-GROOVE BALL BEARING \ Ø10xØ35x11 MM	25	1
16	2	1 604 336 021	BRUSH HOLDER	14	1
23	2	1 605 500 165	SEALING COVER \ BLUE	15	1
24	1	1 605 132 121	HANDLE \ BLACK	23	1
25	1	1 603 523 106	GRINDING SPINDLE \ 5/8", SW17	36	1
26	1	1 606 333 253	CROWN GEAR \ Z=49	44	1
27	1	1 606 333 252	BEVEL GEAR \ Z=9	40	1
28	1	1 600 210 033	O-RING \ 80x1,8 MM	11	1
30	1	1 600 591 010	AIR-DEFLECTOR RING	12	1
31	1	1 600 591 011	AIR-DEFLECTOR RING	11	1
32	1	1 600 290 019	RETAINING RING	11	1
33	1	1 600 290 013	ROTARY SHAFT LIP SEAL \ RED	13	1
34	1	1 600 190 020	SHIM \ 0,15 MM	11	1
34	1	1 600 190 021	SHIM \ 0,30 MM	11	1
34	1	1 600 190 022	SHIM \ 0,10 MM	11	1
35	1	1 600 205 034	FELT WASHER	11	1
36	2	1 604 652 015	SPIRAL SPRING	11	1
37	1	1 600 290 020	SEAL RING	11	1
38	1	1 600 206 020	RUBBER RING \ 7 MM \ WIDE	11	1
39	1	1 600 206 030	RUBBER RING	11	1
44	2	1 601 334 008	HOLDING BRACKET	11	1

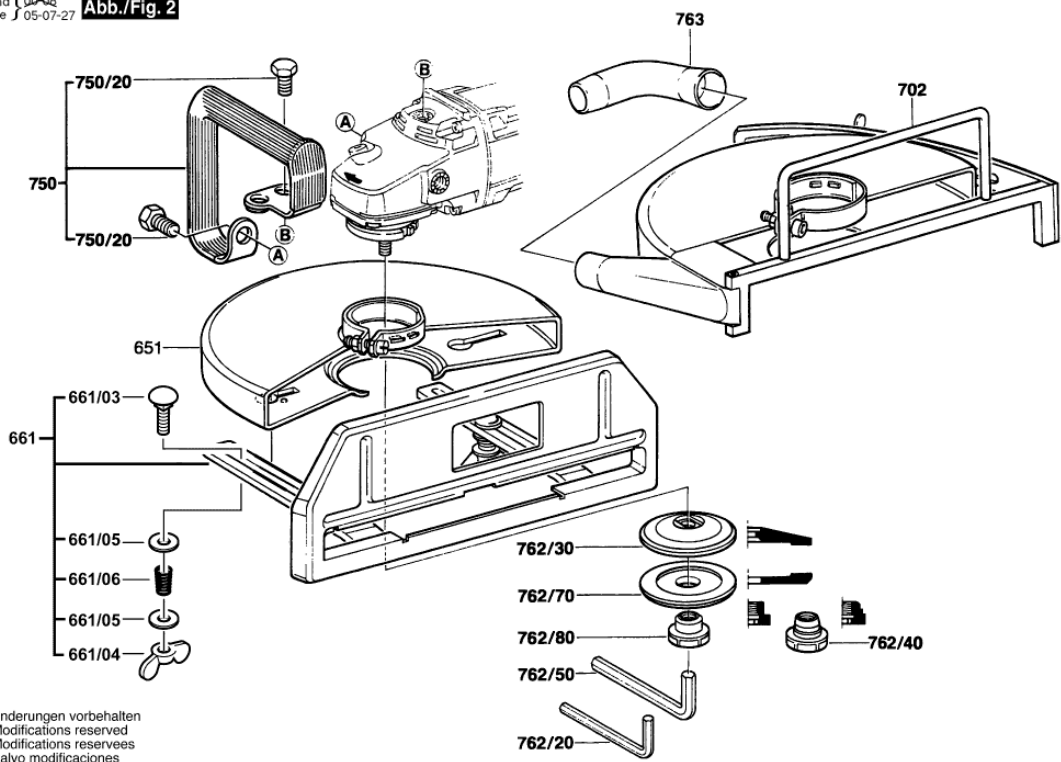
45	1	1 603 300 019	HEXAGON NUT \ M10, SW14	11	1
48	1	1 600 119 010	RETAINING RING	11	1
50	1	3 600 905 134	DEEP-GROOVE BALL BEARING	23	1
51	1	1 600 200 031	FRICTION BEARING \ Ø14 MM	12	1
52	1	1 602 388 027	CABLE RUN	11	1
53	1	1 605 190 038	SOCKET HOUSING	11	1
55	1	1 602 388 029	STORAGE LEDGE \ BLACK	11	1
59	1	1 600 101 655	PLAIN WASHER	11	1
60	4	1 603 435 023	THREAD-FORMING TAP. SCREW \ TT M5x18 MM	11	1
61	4	2 912 401 038	SELF-TAPPING SCREW \ DIN 7981-4,8x38-C-Z-ST	10	1
62	2	1 603 435 024	SELF-TAPPING SCREW \ C4,8x63 MM	11	1
63	2	1 603 410 014	PAN HEAD SCREW \ M4x10 MM	11	1
64	4	1 603 435 042	SELF-CUTTING SCREW	11	1
65	2	2 912 401 020	SELF-TAPPING SCREW \ DIN 7981-3,9x19-C-Z-ST	10	1
66	1	2 910 211 019	SELF-TAPPING SCREW \ DIN 7971-ST3,9x16-F	10	1
67	2	1 603 435 019	SELF-TAPPING SCREW \ BZ 4,8x78 MM	11	1
70	1	2 610 906 872	REFERENCE PLATE	15	1
72	1	1 601 110 449	REFERENCE PLATE \ CAUTION	11	1
651	1	1 605 510 213	PROTECTIVE COVER \ 12"		2
661	1	1 608 190 014	GUIDE BLOCK \ Ø 300 MM		2
661/03	2	2 910 281 246	ROUND-HEAD BOLT \ M 8x30 DIN 603	11	2
661/04	2	2 915 191 007	WING NUT \ DIN 315-M8-GT-C	15	2
661/05	4	2 600 100 041	PLAIN WASHER \ DIN 315-M8-GT-C	11	2
661/06	2	1 604 643 003	COMPRESSION SPRING	17	2
702	1	1 605 510 215	SUCTION HOOD \ Ø 300 MM (12")		2
750	1	1 607 000 247	STRAP-SHAPED HANDLE		2
750/20	2	2 603 450 007	HEXAGON SCREW \ M 14x16x1,5 MM	16	2
762/20	1	1 907 950 007	OFFSET SCREWDRIVER \ DIN 911;SW6	15	2
762/30	1	1 605 703 067	CLAMPING-FLANGE \ Ø 103 MM		2
762/40	1	1 603 340 012	ROUND NUT \ 5/8"-11-UNC-3B, 7/8" (Ø 22,2 MM), SW 28,6, SW 9,6		2
762/50	1	3 607 950 013	OFFSET SCREWDRIVER \ 3/8", SW9	22	2

762/70	1	1 605 703 068	CONICAL SPRING WASHER		2
762/80	1	1 603 340 011	ROUND NUT \ 5/8"-11-UNC-3B, 1"(Ø 25,4 MM), SW 28,6, SW 9,6		2
763	1	1 600 793 007	SUCTION BEND \ Ø 35 MM		2
810	1	1 607 014 171	CARBON-BRUSH SET	26	1
821	1	1 607 000 920	GEAR HOUSING	38	1
822	1	1 607 000 947	PARTS SET	37	1
830	1	1 604 011 155	ARMATURE \ 110-115V	51	1
840	1	1 607 000 206	PUSH-BUTTON \ BLACK	14	1
846	1	1 607 000 342	RETAINING WASHER	12	1
851	1	2 600 910 001	NEEDLE SLEEVE \ Ø 14 MM	16	1
888	1	1 601 106 999	NAMEPLATE \ 26x52 MM	15	1

0 601 364 039

Stand Issue 05-07-27

Abb./Fig. 2



Free Manuals Download Website

<http://myh66.com>

<http://usermanuals.us>

<http://www.somanuals.com>

<http://www.4manuals.cc>

<http://www.manual-lib.com>

<http://www.404manual.com>

<http://www.luxmanual.com>

<http://aubethermostatmanual.com>

Golf course search by state

<http://golfingnear.com>

Email search by domain

<http://emailbydomain.com>

Auto manuals search

<http://auto.somanuals.com>

TV manuals search

<http://tv.somanuals.com>