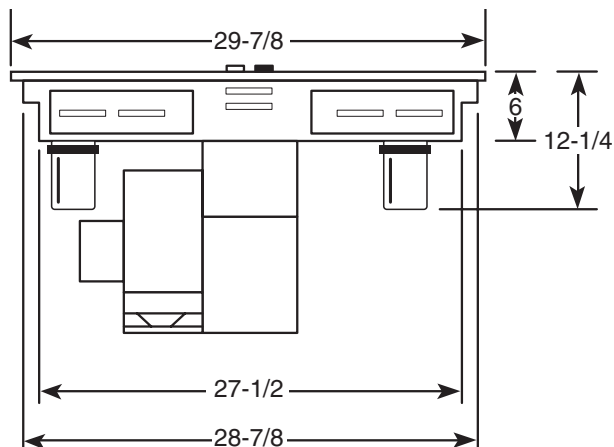
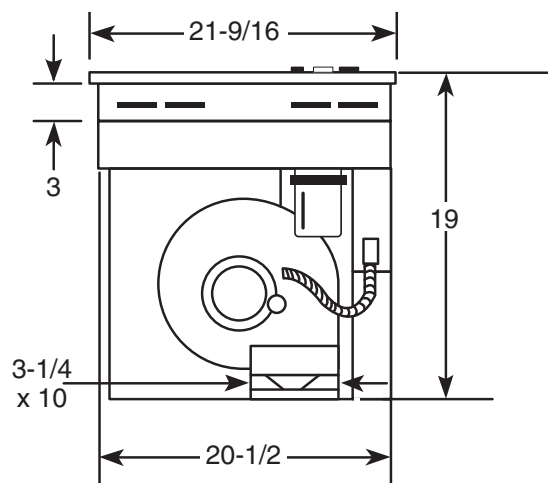




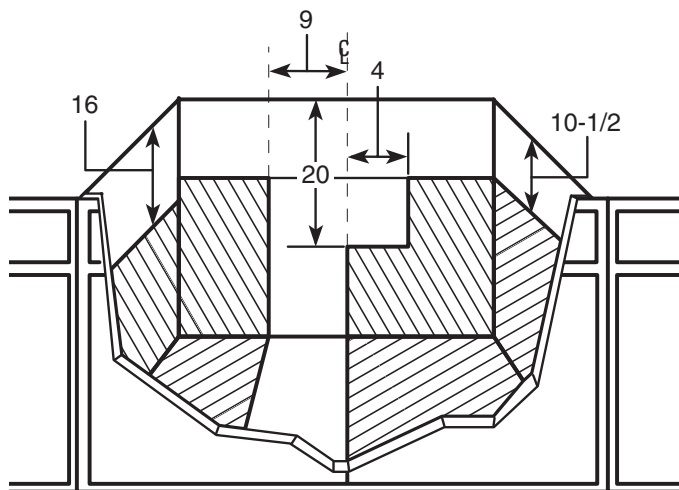
GE Appliances

JP389WJ/BJ – GE Select-Top™ Modular Downdraft Cooktop

Built-In Downdraft Modular Cooktop Dimensions (in inches)



Built-In Downdraft Modular Cooktop Cabinet Dimensions (in inches)



Receptacle Location: Install an approved junction box within shaded area shown in diagram. Junction box must be at least 10-1/2" below top of cabinet.

Note: These cooktops are U.L. approved for indoor use only.

Installation Information: Before installing, consult installation instructions packed with product for current dimensional data.



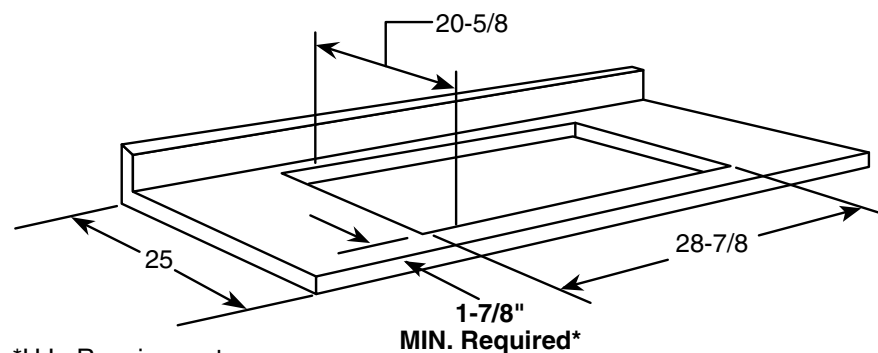
For answers to your Monogram,® GE Profile™ or GE appliance questions, visit our website at GEAppliances.com or call GE Answer Center® service, 800.626.2000.



GE Appliances

JP389WJ/BJ – GE Select-Top™ Modular Downdraft Cooktop

Cutout Dimensions (in inches)



*U.L. Requirement.

Note: A 6" minimum spacing to adjacent side wall is required

Note: In some cabinets, the sides may need to be scooped or cut down 2" as shown and the corner braces removed in order to accommodate the cooktop.

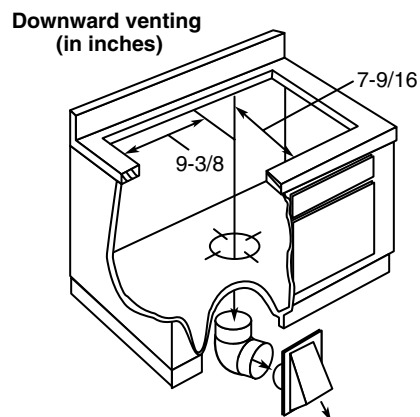
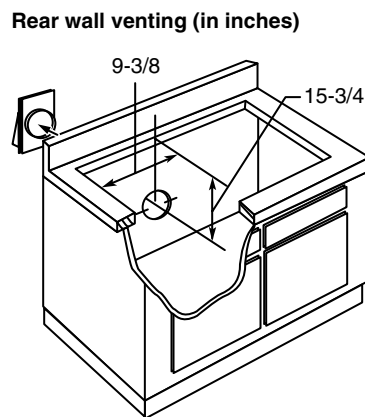
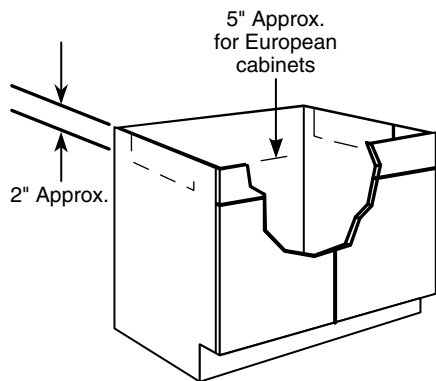
Wall Installation: Wall installations require 25" countertop depth. When cabinet is flush against the wall, the fan housing can be rotated to the horizontal position for direct venting through rear wall. Make a countertop cutout that is centered in the range cabinet according to unit dimensions and installation type. Duct hole is positioned in back of cabinet for through-the-wall ducting.

Peninsula or Island Installation: For peninsula or island installation, a minimum 26" countertop depth is suggested. Blower should be in vertical position. Island or peninsula cabinets may require adjustment in cutout depth and/or location within the width dimensions. Duct hole is positioned in bottom of cabinet for island or peninsula installation.

Slab Installation: For peninsula or island installation and rear wall ducting, **PVC duct or locally-approved piping should be used if installing under a poured concrete slab.**

Installing the Ductwork: Use minimum 26-gauge galvanized or 24-gauge aluminum duct in 6" round or 3-1/4" x 10" size, or combination of both. **PVC duct or locally approved piping should be used if installing under a poured concrete slab.**

Preparing the Cabinet for Installation



For answers to your Monogram®, GE Profile™ or GE appliance questions, visit our website at GEAppliances.com or call GE Answer Center® service, 800.626.2000.

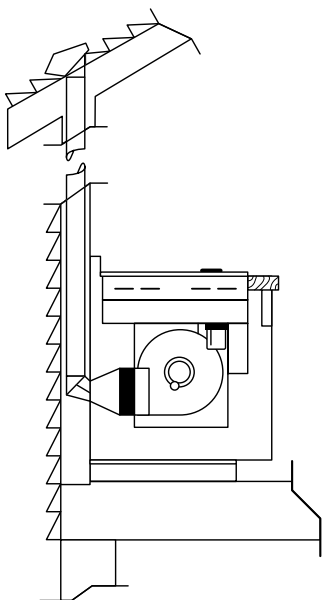
Specification Created 6/04
321118



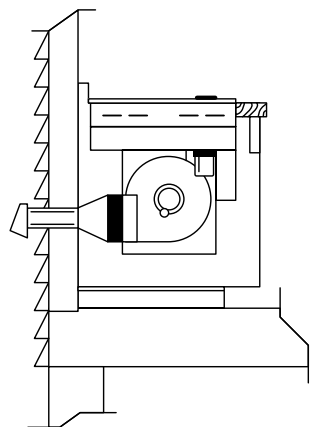
GE Appliances

JP389WJ/BJ – GE Select-Top™ Modular Downdraft Cooktop

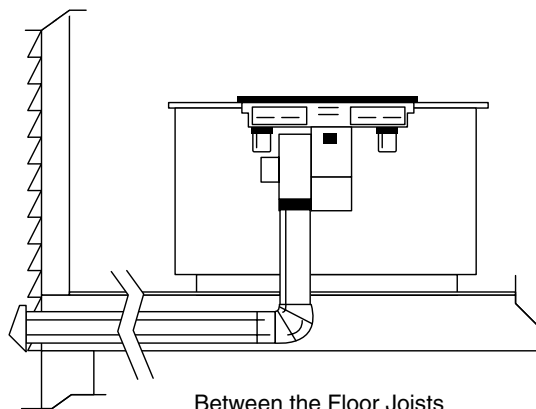
Venting Options



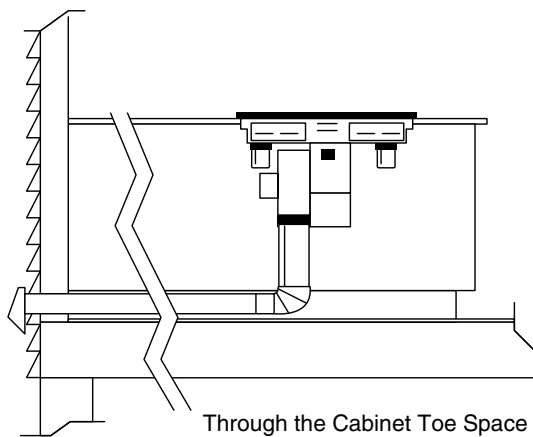
Inside Wall Through Roof



Direct to Outside Straight Duct



Between the Floor Joists



Through the Cabinet Toe Space

KW Rating	
240V	8.0
Breaker Size	
40 Amps [†]	

[†]**Note:** Check local codes for required breaker size

Note: Ductwork **must** be vented to outside. **Do not** vent into a wall, ceiling, crawlspace, attic or any concealed space. Always use an appropriate roof or wall cap with damper. **Laundry-type wall caps should never be used.** For maximum efficiency use, the shortest and straightest duct run possible, with as few fittings as possible. For satisfactory performance, the duct run should not exceed 100 feet equivalent length. Refer to the table of equivalent lengths for various duct configurations.

Installation Information: Before installing, consult installation instructions packed with product for current dimensional data.

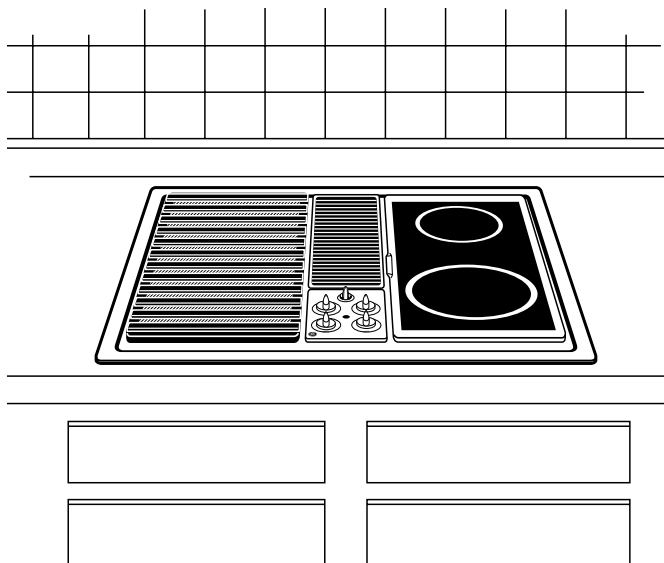


For answers to your Monogram®, GE Profile™ or GE appliance questions, visit our website at GEAppliances.com or call GE Answer Center® service, 800.626.2000.



GE Appliances

JP389WJ/BJ – GE Select-Top™ Modular Downdraft Cooktop



Features and Benefits

- 30" Dual Modular Cooktop
- Infinite Heat Rotary Controls
- Powerful Downdraft Venting System
- 3-Speed Fan
- Heating Element "ON" Indicator Light
- Porcelain-Enameled Cooktop
- Optional Modules Available At Additional Cost
- Model JP389BJ – Black on black
- Model JP389WJ – White on white

	Models	
Optional modules available at additional cost	JP389WJ	JP389BJ
Calrod® modules	JXDC44RWH	JXDC43RBL
Ribbon modules	JXDR50VW	JXCDR50VB
Grill modules	JXDL44N	JXDL44N
Griddle Accessory	JXDD44R	JXDD44R
Grill Cover	JXDM3	JXDM2

Specification Created 6/04

321118

Free Manuals Download Website

<http://myh66.com>

<http://usermanuals.us>

<http://www.somanuals.com>

<http://www.4manuals.cc>

<http://www.manual-lib.com>

<http://www.404manual.com>

<http://www.luxmanual.com>

<http://aubethermostatmanual.com>

Golf course search by state

<http://golfingnear.com>

Email search by domain

<http://emailbydomain.com>

Auto manuals search

<http://auto.somanuals.com>

TV manuals search

<http://tv.somanuals.com>