

LTC 9384/00



Security Systems

EN | Instruction Manual  
Sunshield

**BOSCH**

## 1.0 UNPACKING

This equipment should be unpacked and handled with care. If an item appears to have been damaged in shipment, notify the shipper.

Verify that all parts shown in the *Parts List* have been included. If any items are missing, notify your Bosch Security Systems Sales or Customer Service Representative.

The original packing carton is the safest container in which to transport the unit. Save it for possible future use.

### 1.1 Parts List

Qty	Item
	Unit (verify model number)
1	Sunshield
1	This installation manual

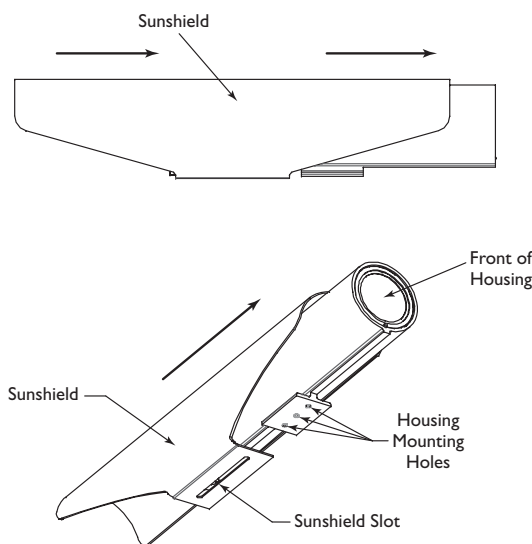


Figure 1: Assembling the Sunshield

## 2.0 DESCRIPTION

The LTC 9384/00 sunshield provides protection from the direct rays of the sun and promotes cooling to reduce internal housing temperatures on the LTC 9384 Series Housings and 3-inch pressurized housings.

## 3.0 INSTALLATION

### 3.1 Installing Sunshield

1. Slide the sunshield onto the housing from the rear or the front of the housing (see *FIGURE 1*).
2. Position the slot in the sunshield over the housing mounting holes. (see *FIGURE 2*).
3. Secure the sunshield by passing the housing mounting screws (not provided) through the sunshield slot and tightening them.
4. The sunshield can be adjusted forward and back for more or less overhang.

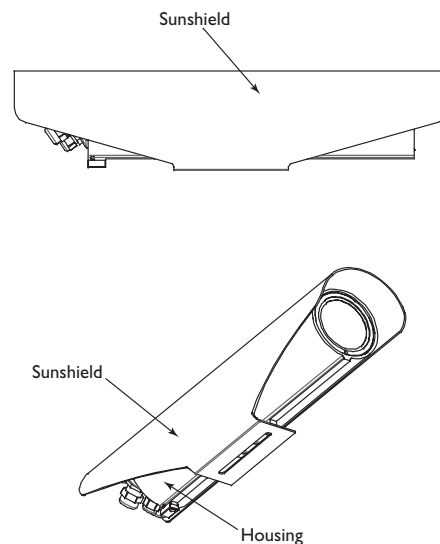


Figure 2: Assembled Sunshield

**Americas**  
 Bosch Security Systems  
 130 Perinton Parkway  
 Fairport, New York, 14450, USA  
 Phone: +1 (585) 223 4060  
 Fax: +1 (585) 223 9180  
 E-mail:  
 security.sales@us.bosch.com  
 www.boschsecurity.us

**Europe, Middle East, Africa**  
 Bosch Security Systems B.V.  
 P.O. Box 80002  
 5600 JB Eindhoven, The Netherlands  
 E-mail: ema.securitysystems@bosch.com  
 http://www.boschsecurity.com

**Asia-Pacific**  
 Bosch Security Systems Pte Ltd  
 38C Jalan Pemimpin  
 Singapore 577180, Singapore  
 Phone: +65 319 3488  
 Fax: +65 319 3499  
 E-mail:  
 sg.securitysystems@bosch.com  
 http://www.boschsecurity.com

## Free Manuals Download Website

<http://myh66.com>

<http://usermanuals.us>

<http://www.somanuals.com>

<http://www.4manuals.cc>

<http://www.manual-lib.com>

<http://www.404manual.com>

<http://www.luxmanual.com>

<http://aubethermostatmanual.com>

Golf course search by state

<http://golfingnear.com>

Email search by domain

<http://emailbydomain.com>

Auto manuals search

<http://auto.somanuals.com>

TV manuals search

<http://tv.somanuals.com>