



Integrated IR Bullet Camera

WZ20



BOSCH

en Installation Manual

Table of Contents

1	Safety	4
1.1	Safety Precautions	4
1.2	Important Safety Instructions	4
1.3	Important Notices	6
1.4	FCC & ICES compliance	9
1.5	Warranty / Limitation of Liability	11
1.6	Contact Information	13
2	Introduction	14
2.1	Description	14
2.2	Parts List	14
3	Installation	15
4	Configuration	16
4.1	Configuration Overview	16
4.1.1	Adjusting Pan, Tilt, Rotate	17
4.1.2	Adjusting Focus	17
4.1.3	Adjusting Zoom	18
5	On-Screen Menu	19
5.1	OSD Menu	19
5.1.1	Exposure Submenu	19
5.1.2	Color Submenu	20
5.1.3	Day/Night Submenu	21
5.1.4	Function Submenu	21
5.1.5	Motion Submenu	22
5.1.6	Privacy Submenu	23
5.1.7	Setup Submenu	24
5.1.8	Exit Submenu	25
6	Troubleshooting	26
6.1	Troubleshooting Tips	26
7	Technical Specifications	27

1 Safety

1.1 Safety Precautions

**DANGER!**

High risk: This symbol indicates an imminently hazardous situation such as “Dangerous Voltage” inside the product. If not avoided, this will result in an electrical shock, serious bodily injury, or death.

**WARNING!**

Medium risk: Indicates a potentially hazardous situation. If not avoided, this could result in minor or moderate bodily injury.

**CAUTION!**

Low risk: Indicates a potentially hazardous situation. If not avoided, this could result in property damage or risk of damage to the unit.

1.2 Important Safety Instructions

Read, follow, and retain all of the following safety instructions. Heed all warnings on the unit and in the operating instructions before operating the unit.

**CAUTION!**

In USA and Canada, use Class 2 power supply only.

**CAUTION!**

These servicing instructions are for use by qualified service personnel only. To reduce the risk of electric shock do not perform any servicing other than that contained in the operating instructions unless you are qualified to do so.

1. Read these instructions.

2. Keep this instruction.
3. Heed all warnings.
4. Follow all instructions.
5. Do not use this apparatus near water.
6. Clean inside only with dry cloth.
7. Do not block any ventilation openings. Install in accordance with manufacturer's instructions.
8. Do not install near any heat sources such as radiators, heat registers, stoves or other apparatus (including amplifiers) that produce heat.
9. Do not defeat the safety purpose of the polarized or grounding-type plug. A polarized plug has two blades with one wider than the other. A grounding type plug has two blades and a third grounding prong. The wide blade or the third prong is provided for your safety. If the provided plug does not fit into your outlet, consult an electrician for replacement of the obsolete outlet.
10. Protect the power cord from being walked on or pinched particularly at plugs, convenience receptacles, and the power where they exit from the apparatus.
11. Use only attachments/accessories specified by the manufacturer.
12. Unplug this apparatus during lightning storms or when unused for long periods of time.
13. Refer all servicing to qualified service personnel. Servicing is required when the apparatus has been damaged in any way, such as power-supply cord or plug is damaged, liquid has been spilled or objects have fallen into the apparatus, the apparatus has been exposed to rain or moisture, does not operate normally, or has been dropped.

1.3 Important Notices



Accessories - Do not place this unit on an unstable stand, tripod, bracket, or mount. The unit may fall, causing serious injury and/or serious damage to the unit. Use only with the cart, stand, tripod, bracket, or table specified by the manufacturer. When a cart is used, use caution and care when moving the cart/apparatus combination to avoid injury from tip-over. Quick stops, excessive force, or uneven surfaces may cause the cart/unit combination to overturn. Mount the unit per the manufacturer's instructions.

All-pole power switch - Incorporate an all-pole power switch, with a contact separation of at least 3 mm in each pole, into the electrical installation of the building. If it is needed to open the housing for servicing and/or other activities, use this all-pole switch as the main disconnect device for switching off the voltage to the unit.

Camera grounding - For mounting the camera in potentially damp environments, ensure to ground the system using the ground connection of the power supply connector (see section: Connecting external power supply).

Camera signal - Protect the cable with a primary protector if the camera signal is beyond 140 feet, in accordance with *NEC800 (CEC Section 60)*.

Coax grounding:

- Ground the cable system if connecting an outside cable system to the unit.
- Connect outdoor equipment to the unit's inputs only after this unit has had its grounding plug connected to a grounded outlet or its ground terminal is properly connected to a ground source.
- Disconnect the unit's input connectors from outdoor equipment before disconnecting the grounding plug or grounding terminal.
- Follow proper safety precautions such as grounding for any outdoor device connected to this unit.

U.S.A. models only - Section 810 of the *National Electrical Code, ANSI/NFPA No.70*, provides information regarding proper grounding of the mount and supporting structure, grounding of the coax to a discharge unit, size of grounding conductors, location of discharge unit, connection to grounding electrodes, and requirements for the grounding electrode.



Disposal - Your Bosch product was developed and manufactured with high-quality material and components that can be recycled and reused. This symbol means that electronic and electrical appliances, which have reached the end of their working life, must be collected and disposed of separately from household waste material. Separate collecting systems are usually in place for disused electronic and electrical products. Please dispose of these units at an environmentally compatible recycling facility, per *European Directive 2002/96/EC*.

Electronic Surveillance - This device is intended for use in public areas only. U.S. federal law strictly prohibits surreptitious recording of oral communications.

Environmental statement - Bosch has a strong commitment towards the environment. This unit has been designed to respect the environment as much as possible.

Electrostatic-sensitive device - Use proper CMOS/MOS-FET handling precautions to avoid electrostatic discharge. NOTE: Wear required grounded wrist straps and observe proper ESD safety precautions when handling the electrostatic-sensitive printed circuit boards.

Fuse rating - For protection of the device, the branch circuit protection must be secured with a maximum fuse rating of 16A. This must be in accordance with *NEC800 (CEC Section 60)*.

Outdoor signals - The installation for outdoor signals, especially regarding clearance from power and lightning conductors and transient protection, must be in accordance with *NEC725* and *NEC800 (CEC Rule 16-224 and CEC Section 60)*.

Permanently connected equipment - Incorporate a readily accessible disconnect device external to the equipment.

Pluggable equipment - Install the socket outlet near the equipment so it is easily accessible.


Power resupply - If the unit is forced to power down due to exceeding the specified operating temperatures, disconnect the power cord, wait for at least 30 seconds, and then reconnect the power cord.

Power lines - Do not locate the camera near overhead power lines, power circuits, or electrical lights, nor where it may contact such power lines, circuits, or lights.

SELV - All the input/output ports are Safety Extra Low Voltage (SELV) circuits. SELV circuits should only be connected to other SELV circuits.

Because the ISDN circuits are treated like telephone-network voltage, avoid connecting the SELV circuit to the Telephone Network Voltage (TNV) circuits.

System ground/Safety ground

System (video) ground is indicated by the symbol .

The system ground is only used to comply with safety standards or installation practices in certain countries. Bosch does **not** recommend connecting system ground to safety ground unless it is explicitly required. However, if the system ground and safety ground are connected and grounding loops are causing interference in the video signal, use an isolation transformer (available separately from Bosch).



CAUTION!

Connecting System ground to Safety ground may result in ground loops that can disrupt the CCTV system.

Video loss - Video loss is inherent to digital video recording; therefore, Bosch Security Systems cannot be held liable for any damage that results from missing video information. To minimize the risk of lost digital information, Bosch Security Systems recommends multiple, redundant recording systems, and a procedure to back up all analog and digital information.

1.4 FCC & ICES compliance

This device complies with Part 15 of the FCC Rules. Operation is subject to the following two conditions.1. This device may not cause harmful interference.2. This device must accept any interference received, including interference that may cause undesired operation.

FCC Information

(U.S.A. and Canadian Models Only)

This equipment has been tested and found to comply with the limits for a **Class B** digital device, pursuant to part 15 of the FCC Rules. These limits are designed to provide reasonable protection against harmful interference in a **residential installation**. This equipment generates, uses, and can radiate radio frequency energy and, if not installed and used in accordance with the instructions, may cause harmful interference to radio communications. However, there is no guarantee that interference will not occur in a particular installation. If this equipment does cause harmful interference to radio or television reception, which can be determined by turning the equipment off and on, the user is encouraged to try to correct the interference by one or more of the following measures:

- Reorient or relocate the receiving antenna.
- Increase the separation between the equipment and receiver.
- Connect the equipment into an outlet on a circuit different from that to which the receiver is connected.
- Consult the dealer, an experienced radio/TV technician, or Bosch Security Systems for support.

Intentional or unintentional modifications, not expressly approved by the party responsible for compliance, shall not be made. Any such modifications could void the user's authority to operate the equipment. If necessary, the user should consult the dealer or an experienced radio/television technician for corrective action. The user may find the following booklet, prepared by the Federal Communications Commission, helpful:

How to Identify and Resolve Radio-TV Interference Problems. This booklet is available from the U.S. Government Printing Office, Washington, DC 20402, Stock No. 004-000-00345-4.

Information FCC et ICES

(modèles utilisés aux États-Unis et au Canada uniquement)

Suite à différents tests, cet appareil s'est révélé conforme aux exigences imposées aux appareils numériques de **classe B**, en vertu de la section 15 du règlement de la Commission fédérale des communications des États-Unis (FCC), et en vertu de la norme ICES-003 d'Industrie Canada. Ces exigences visent à fournir une protection raisonnable contre les interférences nuisibles lorsque l'appareil est utilisé dans le cadre d'une **installation résidentielle**. Cet appareil génère, utilise et émet de l'énergie de radiofréquences et peut, en cas d'installation ou d'utilisation non conforme aux instructions, engendrer des interférences nuisibles au niveau des radiocommunications. Toutefois, rien ne garantit l'absence d'interférences dans une installation particulière. Il est possible de déterminer la production d'interférences en mettant l'appareil successivement hors et sous tension, tout en contrôlant la réception radio ou télévision. L'utilisateur peut parvenir à éliminer les interférences éventuelles en prenant une ou plusieurs des mesures suivantes:

- Modifier l'orientation ou l'emplacement de l'antenne réceptrice.
- Éloigner l'appareil du récepteur.
- Brancher l'appareil sur une prise située sur un circuit différent de celui du récepteur.
- Consulter le revendeur, un technicien qualifié en radio/télévision, ou Bosch Security Systems pour obtenir de l'aide.

Toute modification apportée au produit, non expressément approuvée par la partie responsable de l'appareil, est strictement interdite. Une telle modification est susceptible d'entraîner la révocation du droit d'utilisation de l'appareil. La brochure suivante, publiée par la Commission fédérale des

communications (FCC), peut s'avérer utile : How to Identify and Resolve Radio-TV Interference Problems (Comment identifier et résoudre les problèmes d'interférences de radio et de télévision). Cette brochure est disponible auprès du U.S. Government Printing Office, Washington, DC 20402, États-Unis, sous la référence n° 004-000-00345-4.



NOTICE!

This is a Class B product. In a domestic environment, this product may cause radio interference, in which case the user may need to take adequate measures.

1.5 Warranty / Limitation of Liability

The WZ20 Integrated IR Day/Night Bullet Camera has a three-year warranty.

BOSCH Security Systems warrants that its products, at the time of shipment by BOSCH Security Systems, are free from defect in material or workmanship under normal use and service for the respective warranty periods specified in the applicable Price Schedule or as otherwise published.

To assure conformance with operating limitations, Buyer should refer to the applicable data sheet.

The warranty is void (i) if the Product is not operated in conformance with installation, environmental, mechanical or electrical requirements, or within thermal stress limits, or (ii) to the extent that any malfunction is the result of misuse, abuse, vandalism, neglect, improper installation or application, alteration, accident, or negligence in use, storage, transportation, or handling or if the original identification markings on the product have been removed, defaced or altered, lightning, electricity, water, fire, environment or other hazard, or act of God, or other impact outside of normal operating guidelines.

The foregoing warranty is subject to Buyer's (i) promptly written claim and (ii) timely provision to BOSCH Security Systems of an opportunity to inspect and test the Product claimed to be defective. Such inspection may be on Buyer's premises and/or BOSCH Security Systems may request the return of the Product at Buyer's expense. However, BOSCH Security Systems shall not be responsible for packing, inspection, or labor costs in connection with the return of Product. No Product shall be accepted for warranty service that is not accompanied by a Return Authorization issued by BOSCH Security Systems.

The liability of BOSCH Security Systems hereunder or otherwise is solely and exclusively limited to replacement (new or refurbished Product), repair, or credit of the amortized purchase price, as BOSCH Security Systems may elect, for any Product which is returned by Buyer during the applicable warranty period, or services for which timely notice of defect has been given by Buyer, and which are found by BOSCH Security Systems to be subject to adjustment under this warranty.

BOSCH Security Systems' warranty shall not be enlarged, diminished, or affected by, and no obligation or liability shall arise or grow out of BOSCH Security Systems' rendering or technical advice, facilities, or services in connection with Buyer's order to the products furnished hereunder.

For more information about the warranty on this product, see the Warranty Repair section on Bosch's Customer Care web page at www.boschsecurity.us/en-us/Service/CustomerCare.

**NOTICE!**

Do not remove the serial sticker for the warranty service. Doing so will void the warranty.

1.6 Contact Information

Americas

Bosch Security Systems, Inc.
130 Perinton Parkway
Fairport, New York, 14450
USA
Phone: +1 800 289 0096
Fax: +1 585 223 9180
security.sales@us.bosch.com
www.boschsecurity.us

Europe, Middle East, Africa

Bosch Security Systems B.V.
P.O. Box 80002
5600 JB Eindhoven, The Netherlands
Phone: + 31 40 2577 284
Fax: +31 40 2577 330
emea.securitysystems@bosch.com
www.boschsecurity.com

Asia-Pacific

Robert Bosch (SEA) Pte Ltd, Security Systems
11 Bishan Street 21
Singapore 573943
Phone: +65 6258 5511
Fax: +65 6571 2698
apr.securitysystems@bosch.com
www.boschsecurity.asia

2 Introduction

2.1 Description

The WZ20 Integrated IR Bullet camera is a night vision DSP color CCD camera with 1/3 in. LXR CCD with dual-window mechanical filter. The camera can be installed easily in most indoor locations.

Features include:

- Day/night mode (automatic, photocell-controlled)
- Privacy masking
- Digital signal processing (DSP)
- High resolution 550 TVL
- Even-distribution infrared LED array with 30 LEDs
- Photocell LED control
- Operates at temperature range from -30 °C to +55 °C (-22 °F to 131 °F) at up to 90% humidity (non-condensing)
- IP66 rating

2.2 Parts List

Quantity	Item
1	WZ20 Integrated IR Bullet camera
1	Hex key
4	Mounting screws
1	Installation Manual

Note: Sunshield included. Power supply not included.

3 Installation

**CAUTION!**

To prevent humidity problems, the camera must be installed in dry conditions.

1. Select a mounting surface that is strong enough to support the camera and that is far from electric or magnetic fields as well as high temperatures.
2. Connect the camera to either a 12VDC (recommended for best picture and the most stable camera operation) or 24 VAC regulated power supply (not included).
3. Connect the BNC cable to your video monitor.
4. Face the camera away from the sun or any bright or reflective light. Excess light on the lens may cause smear on the picture and possible damage to the CCD.
5. Tighten the four (4) mounting screws of the bracket.

**CAUTION!**

To ensure reliable operation in wet or moist conditions, the cable leads should be sealed once connected.

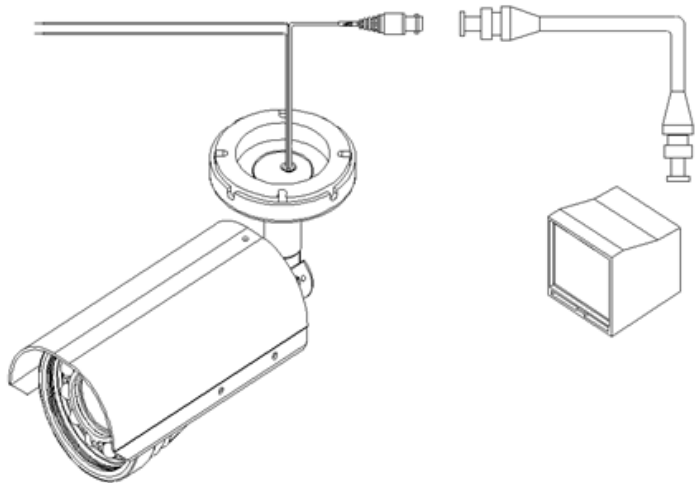


Figure 3.1 Connection

4 Configuration

4.1 Configuration Overview

The figure below displays the controls on the bottom of the camera or on the mounting bracket that are available for camera adjustment. The tables below each figure identify each control.

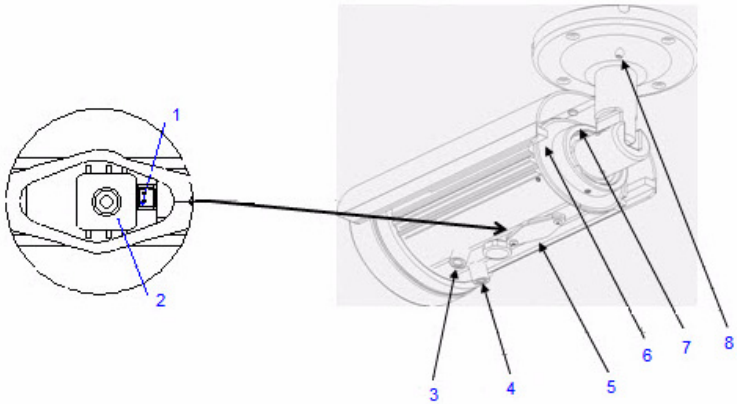


Figure 4.1 WZ20 Configuration

Number	Description
1	2nd Video Output
2	Joystick
3	Focus adjustment
4	Zoom adjustment
5	Other camera controls
6	Rotate
7	Tilt
8	Pan

4.1.1 Adjusting Pan, Tilt, Rotate

1. Locate the 3 set screws on the bracket, as identified (6, 7, 8) in the figure above.
2. Loosen the 3 set screws using the supplied hex key.
3. Adjust the pan, tilt, and rotate as necessary.

NOTICE!



Do not pan or rotate beyond 360° as shown in the figure below.
Do not tilt beyond 90° as shown.

Do not apply excessive force when adjusting the camera positioning.

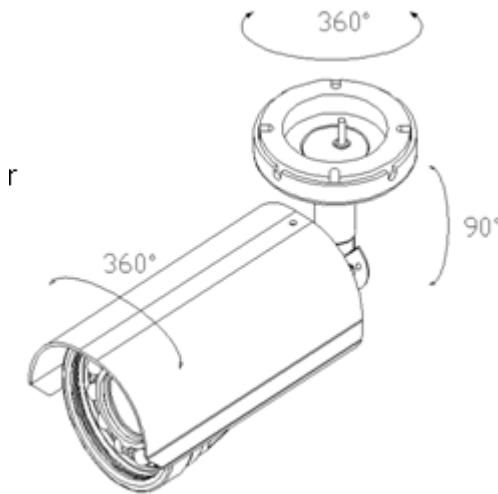


Figure 4.2 Camera Pan, Tilt, and Rotate

4.1.2 Adjusting Focus









1. Remove the cap covering the bottom of the camera.
2. Adjust the focus knob as necessary (see *Figure 4.1* above).
3. Replace the cap over the bottom of the camera.

4.1.3 Adjusting Zoom

1. Remove the cap covering the bottom of the camera.
2. Adjust the zoom knob as necessary (see *Figure 4.1* above).
3. Replace the cap over the bottom of the camera.

5 On-Screen Menu

5.1 OSD Menu

							
Exposure	Color	Day/Night	Function	Motion	Privacy	Set	Exit

5.1.1 Exposure Submenu

This menu allows you to set and adjust the lens functions.



LENS	MANUAL/DC
E. SHUTTER	AUTO~1/100000
BLC	
AGC	OFF~36dB

- MANUAL/DC: A setting for switching between manual and DC operation of the lens.
- E. SHUTTER: Electronic Shutter - A function that allows you to set the shutter speed (from 1/60(50) to 1/100K).
- BLC: Backlight Compensation - A function for overcoming (compensating for) the light behind the object of interest in a scene. BLC selectively amplifies parts of the image to compensate for large contrast differences when part of the image is very brightly lit (for example, a person in a sunlit doorway).
- AGC: Automatic Gain Control - A function for regulating the gain or amplification as the light level decreases and the lens opens fully.

5.1.2 Color Submenu

This menu allows you to control and adjust the RGB level for the camera to represent accurate white color.



WB MODE	AWC
	ATW
	MANUAL
	PUSH LOCK

- WB MODE: White Balance Mode
- AWC: Auto White Balance - A function that allows a color camera to adjust its output color automatically to give a natural color independent of the lighting used.
- ATW: Auto Tracking White balance - A function that allows the camera to adjust white balance constantly for optimal color reproduction.
- MANUAL: A function that allows manual adjustment of the white balance.
- PUSH LOCK: A function that enables you to set up automatically, readjusted only at the request of the user.

5.1.3 Day/Night Submenu

This menu allows you to set the day/night mode in order to adjust the output image depending on the light levels.



D&N MODE	AUTO
	COLOR
	B/W

- AUTO: In this mode, the camera output switches automatically between color and day/night modes, depending on light levels.
- COLOR: In this mode, the camera output is only in color.
- B/W: In this mode, the camera output is only in black and white.

5.1.4 Function Submenu

This menu allows you to set and adjust the various camera functions.



MIRROR	
SHARPNESS	
GAMMA	
SLC	SET LEVEL
HME	SET LEVEL
DRC	

- MIRROR: A function that enables you to set up reversed LEFT and RIGHT images.
- SHARPNESS: A function that enables you to set up sharpness control.
- GAMMA: A function that enables you to set up compensation according to gamma value.
- SLC: Side Light Compensation - Select this mode when the corner of the screen is darker than the center. As the level increases, the image becomes brighter.
- HME: Highlight Masking Exposure - This function masks the bright areas on the screen. As the level of HME is increased, the masking area increases.
- DRC: Dynamic Range Compensation - This function is to compensate darker images when different exposures are in one scene.

5.1.5 Motion Submenu

This menu allows you to set the parameters for the camera to monitor the movement of the image in 64 different areas of the screen, and trigger an alarm that appears on the screen.



ALARM	SET WINDOW ALL SET ALL CLEAR SENSITI. SHOW INDI. DELAY OUT
-------	---

- SET WINDOW: With the joystick, select or deselect areas where you want to detect motion. Only areas in blue are monitored for movement; the others are ignored/masked.



Figure 5.1 Set Motion Detection area

- ALL SET: Set the entire screen for movement detection.
- ALL CLEAR: Clear the entire screen for movement detection
- SENSITI.: Sensitivity level - As the sensitivity level increases, smaller movements are detected.
- SHOW INDI.: The motion detected indicator can be selected as icon, trace or off.
- DELAY OUT: The alarm signal display on the screen is delayed from 1 second to 15 seconds.

5.1.6 Privacy Submenu

This menu allows you to set and adjust the privacy functions that prevent the camera from viewing parts of the scene.



MASK 1	SET WINDOW
MASK 2	SET WINDOW
MASK 3	SET WINDOW
MASK 4	SET WINDOW
COLOR SET	

- MASK 1 - MASK 4: These are the four (4) mask areas that you can set.
- COLOR SET: A function that enables you to select the color of the masking cells.



Figure 5.2 Privacy Mask

If “SET WINDOW” is selected, the cell appears on the screen. To adjust the cell, move the joystick UP / DOWN / RIGHT / LEFT. Once you have selected the desired privacy mask area, press the joystick in until the mask area is black, and then move the joystick any direction to return to the previous screen.

5.1.7 Setup Submenu

This menu allows you to set miscellaneous parameters for the OSD such as camera ID, language, etc.



CAMERA ID	
TITLE EDIT	
TITLE RESET	
TITLE POSITION	
DPC SET	WHITE THR. BLACK THR. DPC LEVEL
LANGUAGE	ENG/CHA
PC CONT.	

- CAMERA ID: This is where you set the ID (title) of the camera.
- TITLE EDIT: This is where you select the value for the camera title.
- TITLE RESET: This is where you clear the value of the camera title.
- TITLE POSITION: This is where you select the area to display the title.
- DPC SET: Defect Pixel Cancellation Set - This function automatically removes dead pixels in real time.
- LANGUAGE: This is where you set the language (English, Chinese).
- PC CONT.: This function enables you to set PC communication (by selecting ON).

5.1.8 Exit Submenu

This menu allows you to exit the OSD menu with or without saving your settings.



EXIT	
SAVE & EXIT	
FACTORY SET	

- EXIT: Exit the OSD menu.
- SAVE & EXIT: Save your settings and then exit the OSD menu.
- FACTORY SET: Restore the factory defaults of the OSD menu.



NOTICE!

The settings for Lens, Day & Night, and ID/Title stay the same even after a FACTORY SET.

6 Troubleshooting

6.1 Troubleshooting Tips

Before sending the camera out for repair, check the items below. If the problem persists after checking these items, contact your service center.

- If no image appears, verify that:

- The coaxial cable is attached securely.
- The power and voltage are normal.
- The iris of the lens inside the camera was adjusted correctly (with the level volume).
- There is adequate illumination.

- If the image is unclear, verify that:

- The lens is in focus.
- The lens is not dirty. Dirt or fingerprints on the lens can adversely affect the images. Gently wipe any dirt or fingerprints off the lens with a soft cloth or lens cleaning paper and cleaning fluid (available commercially).
- The monitor is adjusted correctly.

7 Technical Specifications

PV72-CB93H_TM-EX-TDN5-AC8A-30IR-HEATER

Part numbers: WZ20NXV550-0 (NTSC) | WZ20PXV550-0 (PAL)

Electrical

Power consumption	12 VDC	10 - 16 V
	24 VAC	20 - 28 V
	with LED on	DC = Max 6.7 W AC = Max 8 W (with infrared on)

Video

Signal Format	NTSC	PAL
Signal processing		
Output signal	1V P-P composite video, 75 Ohms	
CCD Type	1/3 in. 410 K Pixels Color	1/3 in. 470 K Pixels Color
Horizontal Resolution	520 TVL (Color) 560 TVL (TDN/B&W)	
Effective Pixels	811 x 508	795 x 596
Lens	IR-corrected, varifocal 5 - 50 mm	
Iris	DC auto iris, externally adjustable	
Signal-to-Noise Ratio	> 48 - 50 dB or more (with AGC off)	
Sensitivity/ Min. Illumination	0.1 Lux (F1.2, 30 IRE) (Color) 0.001 Lux (F1.2, 30 IRE) (TDN/B&W) 0 Lux (with infrared on)	
Gamma	0.45	
Sync System	Internal/External	
IR wavelength	850 nm	

Mechanical

Dimension	Φ 98 mm x 202 mm (L)
Weight	1.7 kg (3.8 lbs)
Construction	Robust aluminum extrusion
Finish	Anodized silver
Camera Pan/Tilt Range	Pan: 360° total Tilt: 90° total

Environmental

Rating	IP66
Operating Temperature	-30 °C to +55 °C (-22 °F to 131 °F)
Storage Temperature	-20 °C to +70 °C (-4 °F to 158 °F)
Operating Humidity	under 90% (non-condensing)

Dimensions

Below are several dimensional drawings of the camera. Unit of measure is mm.

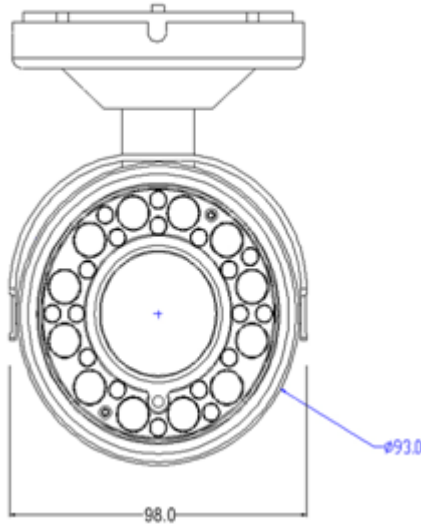


Figure 7.1 Front view

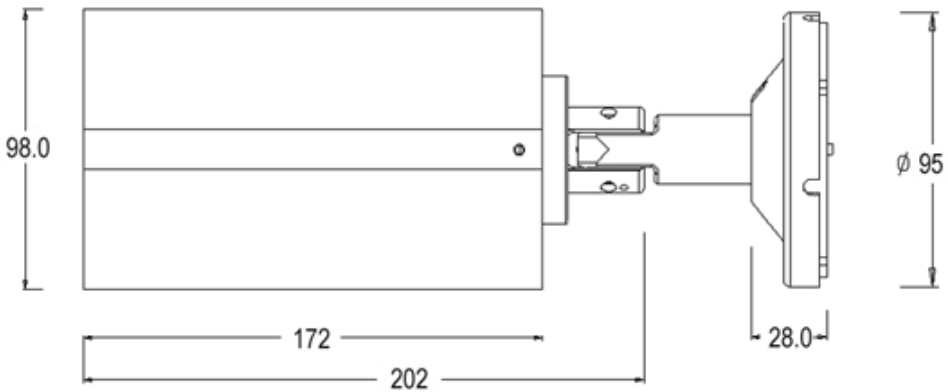


Figure 7.2 Top view

Bosch Security Systems, Inc.

850 Greenfield Road

Lancaster, PA 17601

U.S.A.

www.boschsecurity.com

© Bosch Security Systems, Inc., 2011

Free Manuals Download Website

<http://myh66.com>

<http://usermanuals.us>

<http://www.somanuals.com>

<http://www.4manuals.cc>

<http://www.manual-lib.com>

<http://www.404manual.com>

<http://www.luxmanual.com>

<http://aubethermostatmanual.com>

Golf course search by state

<http://golfingnear.com>

Email search by domain

<http://emailbydomain.com>

Auto manuals search

<http://auto.somanuals.com>

TV manuals search

<http://tv.somanuals.com>