



Remote Command Center

FMR-1000-RCMD



BOSCH

en Installation and Operation Guide
es Guía de Instalación y Operación

pt Manual de Instalação e Operação

en	Installation and Operation Guide	5
es	Guía de Instalación y Operación	17
pt	Manual de Instalação e Operação	31

Table of Contents

1	Notice	6
2	Scope of Delivery	6
3	Device Description	6
4	Mounting	7
4.1	Removing the Cover Frame	7
4.2	Surface Mounting	7
4.3	Flush Mounting	8
5	Wiring	9
5.1	Option Bus Circuit Wiring Distance	9
5.2	Wiring Connections	9
5.3	Removing the Cover Frame for Service	10
6	Inserting the Language Tab	10
7	Address Setting	11
8	Programming	11
9	Operating	12
9.1	LEDs and LCD Keypad	12
9.2	Lamp Test	14
9.3	Keypad Operations	14
10	Troubleshooting	15
11	Specifications	15
11.1	Electrical	15
11.1.1	Wiring Specification	16
11.2	Mechanics	16
11.3	Environmental Conditions	16
11.4	Trademarks	16

1 Notice

These instructions cover the installation of the Bosch FMR-1000-RCMD Remote Command Center in a fire system supervised by a Bosch FPA-1000 Analog Addressable Fire Panel or a Fire Alarm Control Panel with similar connection conditions.

Install, test and maintain the FMR-1000-RCMD according to these instructions, NFPA 72, Local Codes, and the Authority Having Jurisdiction. Failure to follow these instructions may result in failure of the device to operate properly. Bosch Security Systems Inc. is not responsible for improperly installed, tested or maintained devices.

Refer to *FPA-1000- Installation and Operation Guide* (P/N F.01U.174.607) for detailed wiring style requirements and complete programming instructions.



NOTICE!

NFPA 72 requires a complete system-wide functional test be performed following any modifications, repair, upgrades, or adjustments made to the system's components, hardware, wiring, programming, and software/firmware.



CAUTION!

These instructions contain procedures to follow in order to avoid personal injury and damage to equipment.

2 Scope of Delivery

Description
One Remote Command Center (in back box with cover frame)
Tabs with different language versions for LED and key text
One hardware pack
One <i>FMR-1000-RCMD Installation and Operation Guide</i>

3 Device Description

The Remote Command Center FMR-1000-RCMD is a four-wire LCD annunciator with system control capability. It shows the LEDs and LCD display identically to the panel's and includes a piezo, scrolling buttons, and operation keys for acknowledge [ACK], drill, reset and silence. The scrolling functions and the acknowledge [ACK] key are accessible without restriction. The keys for reset, silence or drill can be enabled and disabled by the device key lock. In addition, the operation keys or all keys can be locked using DIP switches (refer to *Table 7.1* on *Page 11*).

The Remote Command Center features tabs with different language versions for LED and key text. The device allows for surface and semi-flush mounting.

Each FPA-1000 Analog Addressable Fire Panel supports up to a total of eight FMR-1000-RA Remote Annunciators and/or FMR-1000-RCMD Remote Command Centers.

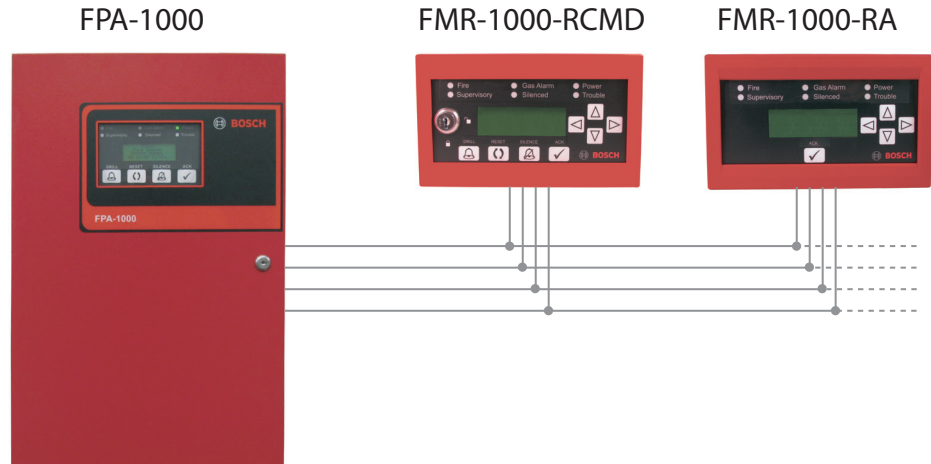


Figure 3.1 System Overview

4 Mounting

The Remote Command Center should be mounted no higher than shoulder height of the shortest person operating the system.

4.1 Removing the Cover Frame

The device comes with the mounting material and language tabs in separate bags. For removing the device's cover frame from the annunciator unit, hold the assembly and unlock the snap-fit hooks on one side. Pull the cover frame off.

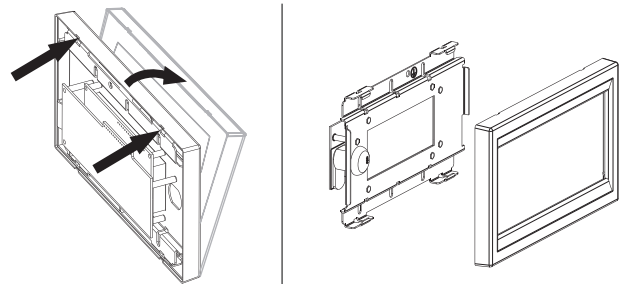


Figure 4.1 Removing the Cover Frame (before Installation)

4.2 Surface Mounting

1. The back box provides three knockouts for 1/2 in. diameter conduit connectors in the back, bottom and top side (refer to *Figure 4.2*, Item 1). To get a clean break, remove the knockout from the inside of the box.



NOTICE!

To get a clean break, remove the knockout from the inside of the box.

2. Install the back box with the arrow pointing up (refer to *Figure 4.2*, Item 2).
3. Use the back box as a template to mark the location of the mounting holes (refer to *Figure 4.2*, Item 3). Provide an opening in the mounting surface for the wiring. Pre-start the screws. Do not secure the screws at this point.
4. The built-in bubble level allows you to level horizontally without extra tools when securing the base (refer to *Figure 4.2*, Item 4).

- Before mounting the unit, follow the instructions in
- Section 6 Inserting the Language Tab on Page 10
 - Section 7 Address Setting on Page 11
 - Section 5 Wiring on Page 9.

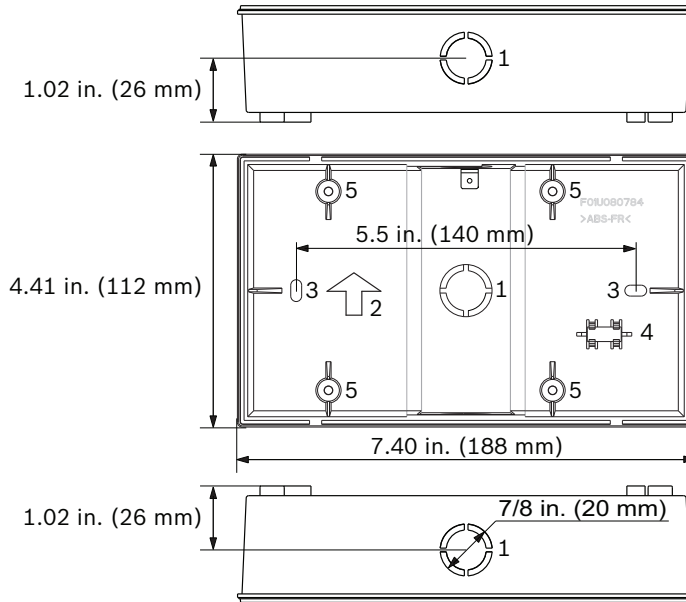


Figure 4.2 Back Box of the FMR-1000-RCMD Remote Command Center

Legend	
1	Knockout for 1/2 in. conduit connector in the in the back, bottom and top side
2	Arrow pointing up
3	Mounting holes for surface mounting
4	Bubble level
5	Fixing points for annunciator unit (4 screws)

4.3 Flush Mounting

For flush mounting, use a 3 gang electrical box. Refer to *Figure 4.3* to select the mounting holes.

Before mounting the unit, follow the instructions in

- Section 6 Inserting the Language Tab on Page 10
- Section 7 Address Setting on Page 11
- Section 5 Wiring on Page 9.

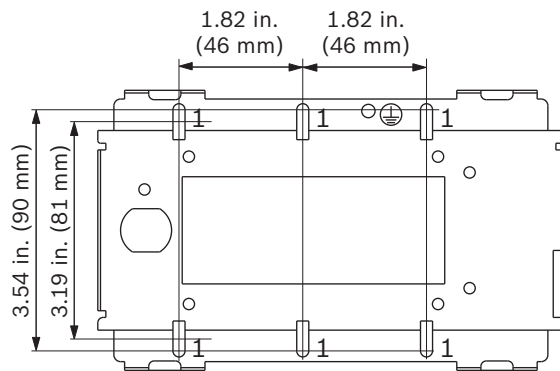


Figure 4.3 Flush Mounting

Legend	
1	Mounting holes for flush mounting

5 Wiring



DANGER!

Explosion and burn hazard. Do not short terminals.
Incorrect connections can result in damage to the unit and personal injury.
Before servicing this equipment, remove all power connections.

5.1 Option Bus Circuit Wiring Distance

Use four conductor, 18 AWG (0.8 mm²) or larger wire to connect Option Bus devices to the FACP. The total length of wire connected to the Option Bus terminals must not exceed 4000 ft (1219 m), regardless of the wire gauge used.

The maximum length between any one device and the panel terminals depends on the current drawn on the branch that the device is on. The current draw on a particular branch can be found by adding together the individual current draws of each device connected to the branch. Refer to *FPA-1000 Installation and Operation Guide* (P/N F.01U.173.607) for detailed wire length calculations.

5.2 Wiring Connections

The FMR-1000-RCMD is powered by either of the following power outputs from the FPA-1000:

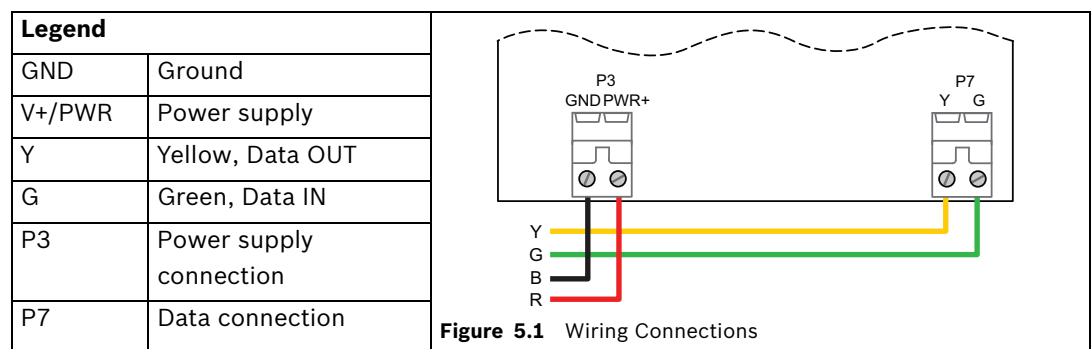
- 12 V DC power (Option bus)
- 24 V FWR unfiltered Aux power output

or UL listed external power supply with common reference ground with the FPA-1000:

- 12 V DC power
- 24 V DC power.

To wire the FMR-1000-RCMD:

1. Power down the control panel.
2. Route the wiring from the FACP to the annunciators.
3. Bring the wiring through one of the knockouts in the annunciator's base (surface mounting) or the 3 gang electrical box (flush mounting). Refer to *Figure 4.2* on *Page 8* for wire entrance location in the back box.



4. Connect the wiring to the FMR-1000-RCMD terminals. Refer to *Figure 5.1*.
5. For surface mounting with back box: Secure the base. Use the bubble level to make sure that the back box is perfectly horizontal. Refer to *Figure 4.2* on *Page 8*.
6. Fasten the annunciator unit with the four mounting screws using a Phillips (cross-headed) screwdriver. Secure the screw for the earth ground connection. Refer to
7. Place the cover frame onto the base along the top side. Press the bottom part until it snaps into place.

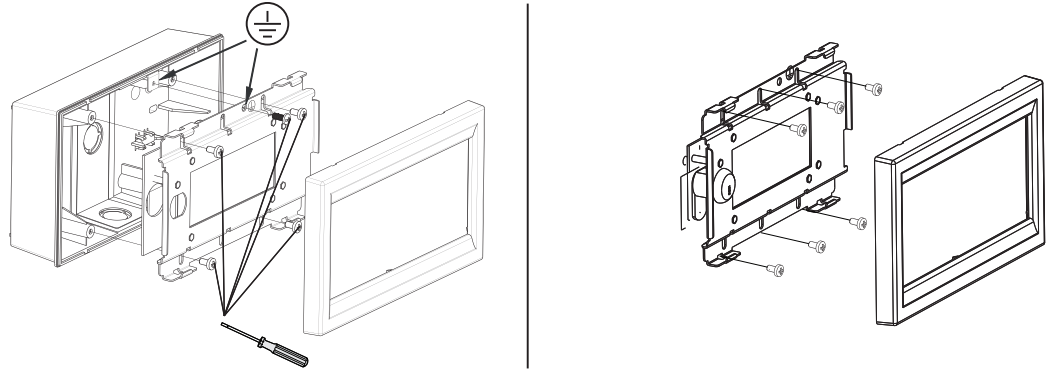


Figure 5.2 Position of Mounting Screws and Earth Ground Screw

When the device is powered on, the system performs a selftest. The routine includes checking of all interfaces, address switches, LEDs, LCD, buzzer, keys, current consumption, and lamp test.

5.3 Removing the Cover Frame for Service

For removing the device's cover frame when the annunciator unit is already mounted, insert a small flathead screwdriver in each slot at the bottom or at the top of the frame. Press up and pull the cover frame off.

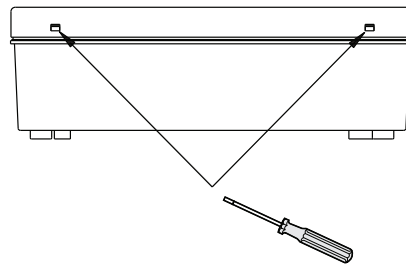


Figure 5.3 Removing the Cover Frame (after Installation)

6 Inserting the Language Tab

For different language versions of LED and key lettering, use the tabs provided with the FMR-1000-RCMD.

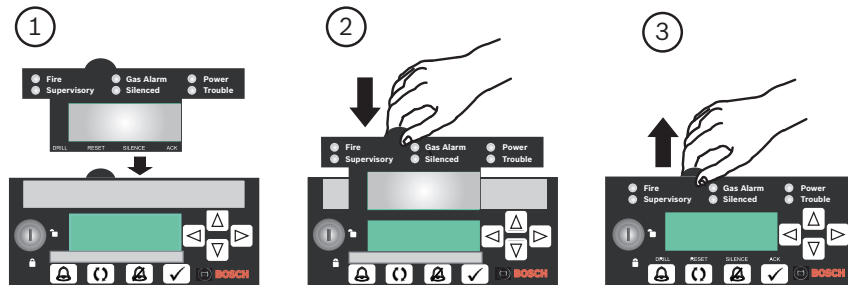


Figure 6.1 Inserting the Language Tab

1. Insert the tab carefully in the slot at the top of the keypad.
2. Slide the tab down carefully until it is completely flush with the keypad.
3. For tab removal, carefully pull upwards at the strap.

7 Address Setting

Each FMR-1000-RCMD connected to the Option Bus of the FPA-1000 must be set to a unique Option Bus address ranging from 16 to 23. The devices must also be programmed at the control panel (refer to *FPA-1000 Installation and Operation Guide* (P/N F.01U.173.607). The address is set using the DIP switches at the main board of the annunciator unit. Refer to *Table 7.1*.

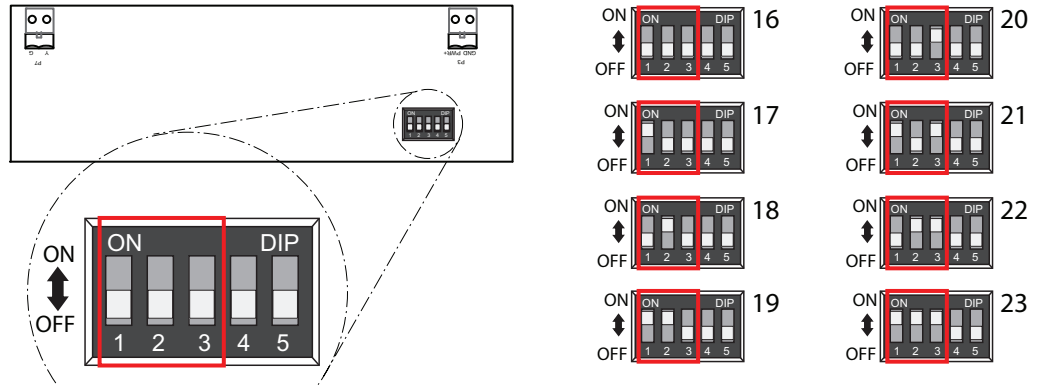


Figure 7.1 Address Setting

Option Bus Address	DIP 1	DIP 2	DIP 3	DIP 4	DIP 5
16	OFF	OFF	OFF	OFF position: Control keys are locked.	OFF position: Key lock active.
17	ON	OFF	OFF		
18	OFF	ON	OFF	ON position: All keys are locked.	ON position: Key lock bypassed.
19	ON	ON	OFF		
20	OFF	OFF	ON		
21	ON	OFF	ON		
22	OFF	ON	ON		
23	ON	ON	ON		

Table 7.1 DIP Switch Function

The DIP switch 4 allows for locking the control keys (drill, reset and silence) in OFF position and for locking all keys in ON position.

The DIP switch 5 enables the device’s key lock in OFF position and bypasses the key lock in ON position.



NOTICE!

Each Option Bus device must have its own address, and each address can support only one device. Ensure that there are no duplicate addresses on the bus.

8 Programming

All Remote Annunciators and Remote Command Centers have to be configured as elements connected to the Option Bus.

The FPA-1000 enables various programming approaches:

- On-site at the front panel to program another panel, but not all parameters can be programmed
- On-site through a Web server using a laptop (connected to the panel with CAT5 cable)
- Remote, using a Web page and a dial-up connection

- Remote, using a Web page and an Ethernet connection.

For front panel programming, the system provides an auto learn function, allowing the installer to configure the system quickly and easily in default mode.

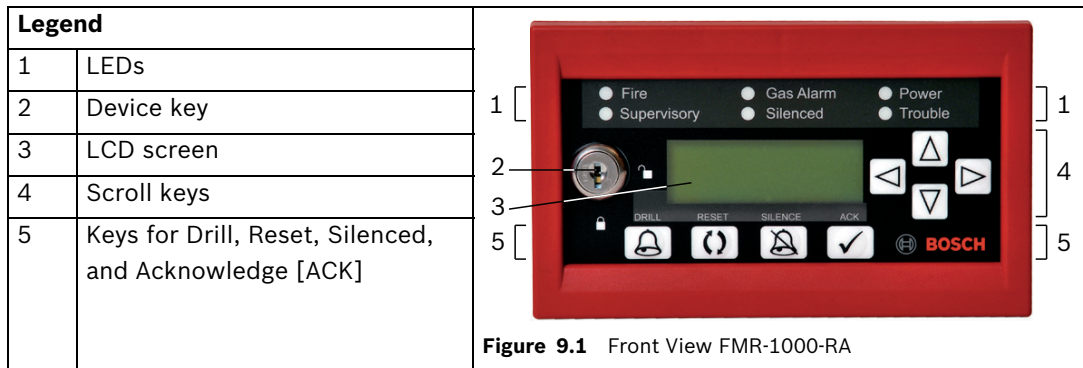
Using a local laptop or remote access through a communicator, the programming is carried out by means of browser-based user interface (virtual keypad).

Refer to the *FPA-1000 Installation and Operation Guide* (P/N F.01U.173.607) for detailed programming instructions.

9 Operating

9.1 LEDs and LCD Keypad

The LEDs on the Remote Command Center follow the global system status (refer to *Table 9.1*). In addition, a communication fault on the Option Bus is indicated by the trouble LED flashing at 1 Hz (refer to *Section 10 Troubleshooting on Page 15*).



LED		System Status	
Fire Red		On	Whenever the system registers a fire alarm and is not reset
		Off	- If no alarm registered - After resetting
Gas Alarm Blue		On	When the system registers a gas alarm and is not reset
		Off	- If no gas alarm registered - After resetting
Power Green		On	If AC power is applied to the panel
		Flashing ¹⁾	When AC power fails and the unit operates from battery power
		Off	When no power (AC or battery) is applied
Supervisory Yellow		On	When the system registers a supervisory condition
		Off	When no supervisory condition is registered
Silenced Yellow		On	- When an alarm or trouble condition is silenced manually by the user - If the system auto-silence timer expires
		Off	- When no condition is silenced - When a silenced condition is corrected


LED		System Status
Trouble Yellow 	On	<ul style="list-style-type: none"> - When the panel is initializing - When the panel registers a trouble condition from a point, or the panel - When inputs or outputs or other elements are bypassed
	Flashing ¹⁾	<ul style="list-style-type: none"> - When the panel is not operating - When walk test is in progress
	Off	<ul style="list-style-type: none"> - When no trouble condition exists - When the panel is resetting
¹⁾ LED flash rate is 1 Hz (0.5 s on, 0.5 s off).		

Table 9.1 LED Operation

Display

The FMR-1000-RCMD Remote Command Center uses an 80-character (4 lines x 20 characters) wide viewing-angle LCD display. The display includes a long-life LED backlight. The backlight is controlled by the panel, or locally turned on upon any key press and turned off after 30-second time-out without key press. Even when AC power is lost, the LED backlight remains lit if a user is operating the keypad.

Piezo Sounder

The FMR-1000-RCMD Remote Command Center has a piezo that provides audible indication of the system status. Refer to *Table 9.2* for piezo modes when FMR-1000-RCMD is controlled by the panel:

Piezo Operation	System Status
Silent	The panel is in a normal state (no alarm, supervisory or trouble condition). The panel was silenced or acknowledged after an off-normal condition.
Continuous beep	The panel is in fire alarm condition.
Periodic beep (0.5 s every 2 s)	The panel is in gas alarm condition.
Periodic beep (0.5 s every 4 s)	The panel is in supervisory condition.
Periodic beep (0.5 s every 10 s)	The panel is in trouble condition or a communication fault exists on the Option Bus.
Short beep	With every valid key press.

Table 9.2 Piezo Operation with FMR-1000-RCMD Panel Controlled

In case of multiple piezo activation, the system status with highest priority is indicated. If the Remote Command Center is not controlled by the panel or during a communication fault, refer to *Table 9.3* for piezo modes:

Piezo Operation	System Status with FMR-1000-RA Controlled Locally
Periodic beep (0.5 s every 10 s)	A communication fault exists on the Option Bus.

Table 9.3 Piezo Operation with FMR-1000-RCMD Controlled Locally

9.2 Lamp Test

A lamp test is accomplished by pressing and holding the acknowledge [ACK] key for more than 3 seconds. All LEDs on the FMR-1000-RA are turned on and the LCD display is filled with black blocks when the lamp test starts. As soon as the acknowledge [ACK] key is released, the revision number, Option Bus address, and key lock status appear on LCD display for 3 seconds. Then the LEDs and the LCD display return to normal working mode (controlled by the panel).

9.3 Keypad Operations

With the key lock in the locked position, the user can use the scroll keys only for navigating the LCD display and operate the acknowledge [ACK] key. Upon an invalid key press, the display shows "KEY LOCKED" for 3 seconds. Refer to *Table 7.1* on *Page 11* for key lock bypass option.

With either the key lock in unlocked position or the DIP switch setting for the key lock bypassed, the user may operate any of the device's keys.

View Status

With no alarms or troubles in the system, the display message is "SYSTEM NORMAL" or "SYSTEM NORMAL DAY" along with the current date and time.

During initialization by start-up or re-configuration, the screen indicates "System Initializing". The panel shows the "System Resetting" screen upon reset, until the system returns to the normal supervising condition.

If PAS or Pre-signal is turned on, the screen indicates "SYSTEM NORMAL DAY".

Any off-normal conditions are shown in groups classified as fire alarm, gas alarm, supervisory and trouble.

Use the arrow keys to view events or conditions in the same group. Up and down keys move the user to the previous or next event. The left and right keys switch to other groups.



NOTICE!

For system display information, refer to *FPA-1000 Installation and Operation Guide* (P/N F.01U.173.607).

Acknowledge

During an alarm, pressing the acknowledge [ACK] key turns off the piezo that is sounding on an annunciator. All the ongoing events or conditions are marked as "Acknowledged". The 24-hour trouble reminder timer starts. Any trouble event not cleared within 24 hours is sent again and the piezo begins to beep again.

If a fire input point configured as "PAS enabled" (with global PAS enabled) is activated, pressing the acknowledge [ACK] key within 15 seconds after a PAS activation starts the investigation timer. This allows the user to investigate the fire alarm or take other appropriate actions until the timer expires.

An acknowledgement operation can also be initiated by the activation of an input point configured as an acknowledge type.

Silence

Pressing the silence key performs all functions of the acknowledge operation.

When the silence operation is initiated, the panel goes into a "Silenced" status and the "Silenced" LED lights. The piezos on all keypads and annunciators turn off. All outputs are silenced if configured as "Silenceable". NACs play the "Silenced" pulse for the programmed

pattern, or they fully de-energize, as defined by the global option “Silence Config”. Strobes continue flashing.

If programmed, the panel transmits a silence report to the central station.

If the panel is already silenced, pressing [SILENCE] again causes an unsilence command in the panel. Silence operation does not reset the alarm status and does not return the activated input to normal service. Any new alarm reactivates any silenced outputs.

Trouble Reminder

If any events are not cleared within 24 hours after the [SILENCE] or [ACK] key was pressed, the panel turns on the piezo again and events are transmitted to the central station again.

Reset

Pressing the reset key turns off the piezo and all activated or silenced outputs. The reset operation turns off auxiliary power AUX/RST for 5 seconds, and activates the global resetting zone. All alarms, supervisories, and troubles caused by activation of SLC points are cleared. Then the panel tries to reset all points that are in off-normal status. Not all system trouble conditions are affected by the reset operation. If programmed, the panel transmits a reset report to the central station.

Any alarm or trouble that exists after a reset causes the system to sound again.

Drill

To activate the drill operation, the [DRILL] key must be pressed twice to prevent accidental activation. Pressing the key once the system prompts for confirmation. Pressing the [DRILL] key again turns on all unbypassed NACs and drillable relay outputs.

The drill operation stops if the reset key is pressed, or it is automatically cancelled if the operation was started for a programmed time. A system reset is automatically performed by stopping the drill so that the panel and all field devices restore to their normal operation.

If programmed, a drill start report and a drill stop report are transmitted to the central station.

10 Troubleshooting

Display	LED	Piezo	Description
NOT PROGRAMMED	0.5 s on/ 0.5 s off	0.5 s every 10 s	No communication activities on the device address.
NO COMMUNICATION	0.5 s on/ 0.5 s off	0.5 s every 10 s	After 60 seconds of no communication activities on any Option Bus address.
COMMUNICATION OK	off	off	Communication on the device address; no text received yet.

11 Specifications

11.1 Electrical

Operating voltage	Nominal 12 V DC or 24 V DC/FWR
Current consumption at 12 V DC	
– Standby current	25 mA maximum (only Power LED on)
– Alarm current	150 mA maximum (with annunciator lit and piezo on)

Current consumption at 24 V DC/FWR	
– Standby current	30 mA maximum (only Power LED on)
– Alarm current	120 mA maximum (with annunciator lit and piezo on)

11.1.1 Wiring Specification

Cable entries	3 knockouts for 1/2 in. diameter conduit connectors in the back, bottom and top side
Connections	2 connectors (4 terminals)
Wire gauge	AWG 12 to 18 (diameter 3.25 mm ² to 0.75 mm ²)
Wire type	Non-shielded, four conductor wire
Maximum number of annunciators per system	8 (FMR-1000-RA and/or FMR-1000-RCMD)
Distance allowed between FACP and annunciator	2000 ft (610 m)
Maximum length of Option Bus wiring	4000 ft (1219 m), depending on cable gauge and connected devices

11.2 Mechanics

Operating and display elements	
– 6 LEDs	Fire (red), Gas Alarm (blue), Power (green), Supervisory, Silenced and Trouble (3 x yellow)
– LCD	4 line x 20 character LCD display, backlit
– Keys	Keys for Drill, Reset, Silenced, Acknowledge [ACK], 4 arrow keys
– Piezo	Built-in piezo sounder
Mounting holes back box	2, spaced 5.5 in. (140 mm) apart
Housing material	ABS-FR
Color	Red
Dimensions (W x H x D)	
– FMR-1000-RCMD	7.40 x 4.41 x 2.40 in. (188 x 112 x 61 mm)
– Back box	7.40 x 4.41 x 1.89 in. (188 x 112 x 48 mm)
Weight	19.4 oz (550 g)

11.3 Environmental Conditions

Environment	Indoor, dry
Operating temperature	32 °F to 120 °F (0 °C to +49 °C)
Storage temperature	-4 °F to 140 °F (-20 °C to +60 °C)
Relative humidity	Up to 95%, non-condensing
Protection class per IEC 605029	IP 30

11.4 Trademarks

Phillips is a registered trademark of the Phillips Screw Co.

Índice

1	Aviso	18
2	Suministro Incluido	18
3	Descripción del Dispositivo	18
4	Montaje	19
4.1	Extracción de la Cubierta de Carcasa	19
4.2	Montaje en Superficie	19
4.3	Montaje Empotrado	21
5	Cableado	21
5.1	Distancia del cableado de los circuitos del bus de opciones	21
5.2	Conexiones del Cableado	21
5.3	Extracción del Marco de Cubierta de la Carcasa para el Mantenimiento	23
6	Introducción de la Ficha de Idioma	23
7	Configuración de Dirección	23
8	Programación	24
9	Operación	25
9.1	Teclado LCD y LED	25
9.2	Prueba de lámparas	27
9.3	Operaciones de Teclado	27
10	Solución de problemas	29
11	Especificaciones	29
11.1	Datos eléctricos	29
11.1.1	Especificaciones del Cableado	29
11.2	Datos mecánicos	30
11.3	Condiciones Ambientales	30
11.4	Marcas comerciales	30

1 Aviso

Estas instrucciones abarcan la instalación del Centro de Comando Remoto FMR-1000-RCMD de Bosch, en un sistema contra incendios supervisado por una Central de Incendios Analógica Direccional FPA-1000 de Bosch o un Panel de Control de Alarma de Incendio con idénticas condiciones de conexión.

Instale, pruebe y mantenga el centro de comando remoto FMR-1000-RCMD según estas instrucciones, la norma NFPA 72, los códigos locales y la autoridad con jurisdicción. En caso de no seguir estas instrucciones, podrían producirse fallas en el dispositivo y éste podría dejar de funcionar correctamente. Bosch Security Systems Inc. no se hace responsable de la instalación, prueba o mantenimiento incorrecto de los dispositivos.

Consulte la *Guía de Instalación y Operación FPA-1000* (P/N F.01U.174.607) para obtener información sobre los requisitos de estilo de cableado y complete las instrucciones de programación.



¡NOTA!

Según la norma NFPA 72, es necesario llevar a cabo una prueba de funcionamiento de todo el sistema luego de realizar cualquier modificación, reparación, actualización o ajuste en los componentes, hardware, cableado, programación, software o firmware del sistema.



¡PRECAUCIÓN!

En estas instrucciones se incluyen los procedimientos de seguridad para evitar daños personales y daños al equipo.

2 Suministro Incluido

Descripción
Un Centro de Comando Remoto (en caja posterior con cubierta de carcasa)
Fichas en diferentes idiomas para el texto de los LEDs y de las teclas
Un paquete de accesorios de montaje
Una <i>Guía de Instalación y Operación FMR-1000-RCMD</i>

3 Descripción del Dispositivo

El Centro de Comando Remoto FMR-1000-RCMD es un anunciador con pantalla LCD de cuatro hilos con función de control de sistema. Muestra los LEDs y la pantalla LCD de manera idéntica al panel. Del mismo modo, incluye una sirena piezoeléctrica, botones de desplazamiento y teclas de reconocimiento [REC], evacuación, restablecimiento y silenciado. Las funciones de desplazamiento y la tecla de reconocimiento [REC] son accesibles sin ningún tipo de limitaciones. Las teclas de restablecimiento, silenciado y evacuación pueden activarse o desactivarse mediante la llave de activación del dispositivo. Además, es posible bloquear las teclas de operación o todas las teclas mediante los conmutadores DIP (consulte la *Tabla 7.1* en la *Página 24*).

El Centro de Comando Remoto incluye fichas con el texto de los LEDs y las teclas en diversos idiomas. Este dispositivo admite el montaje semiempotrado y en superficie.

Cada Central de Incendios Analógica Direccional FPA-1000 admite un total de hasta ocho Anunciadores Remotos FMR-1000-RA o Centros de Comando Remotos FMR-1000-RCMD.

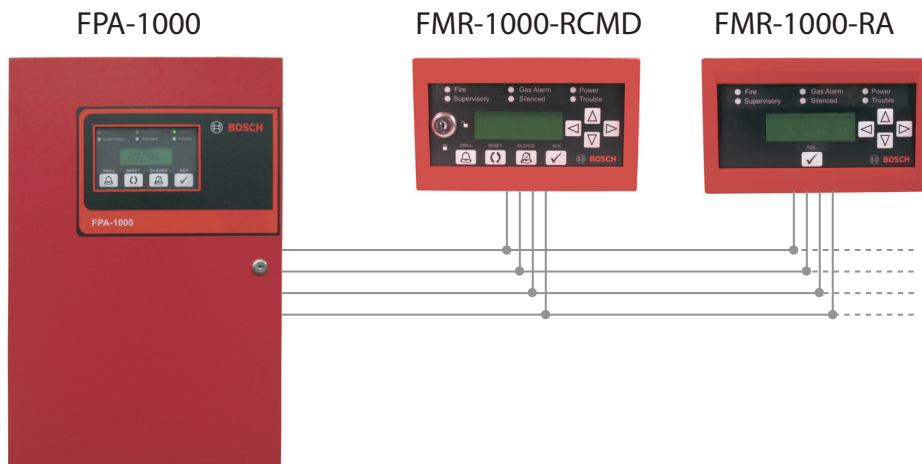


Figura 3.1 Descripción del Sistema

4 Montaje

El Centro de Comando Remoto debe montarse a una altura por debajo del hombro de la persona de menor estatura que opera el sistema.

4.1 Extracción de la Cubierta de Carcasa

El dispositivo se suministra con las fichas de idioma y el material de montaje distribuido en varias bolsas individuales. Para retirar el marco de cubierta de la carcasa del anunciador, sujete la unidad y desbloquee los ganchos de ajuste de un lateral. Extraiga el marco de cubierta de la carcasa.

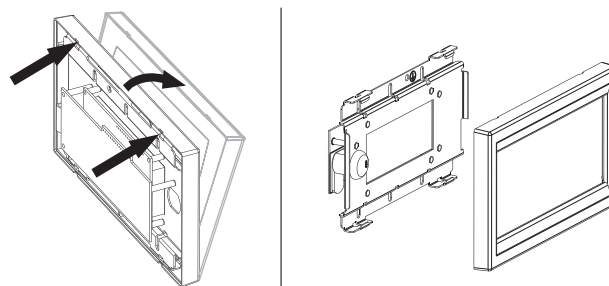


Figura 4.1 Extracción del Marco de Cubierta de la Carcasa (antes de la instalación)

4.2 Montaje en Superficie

1. La caja posterior cuenta con tres salidas para conexiones de ducto de 1,27 cm (1/2 pulg.) en la parte posterior, inferior y superior (consulte la Figura 4.2, elemento 1). Para abrir la conexión de ducto en forma sencilla, reitre la tapa de salida desde el interior de la caja.



¡NOTA!

Para abrir la conexión de ducto en forma sencilla, reitre la tapa de salida desde el interior de la caja.

2. Instale la caja posterior de modo que la flecha apunte hacia arriba (consulte la Figura 4.2, elemento 2).

3. Utilice la caja posterior como plantilla para marcar la ubicación de los orificios de montaje (consulte la *Figura 4.2*, elemento 3). Cree una apertura en la superficie de montaje para los cables. Coloque los tornillos. De momento no ajuste los tornillos.
4. El nivel de burbuja integrado permite nivelar horizontalmente y fijar la base sin necesidad de utilizar otras herramientas (consulte la *Figura 4.2*, elemento 4).

Antes de montar la unidad, siga las instrucciones de

- *Sección 6 Introducción de la Ficha de Idioma en la Página 23*
- *Sección 7 Configuración de Dirección en la Página 23*
- *Sección 5 Cableado en la Página 21.*

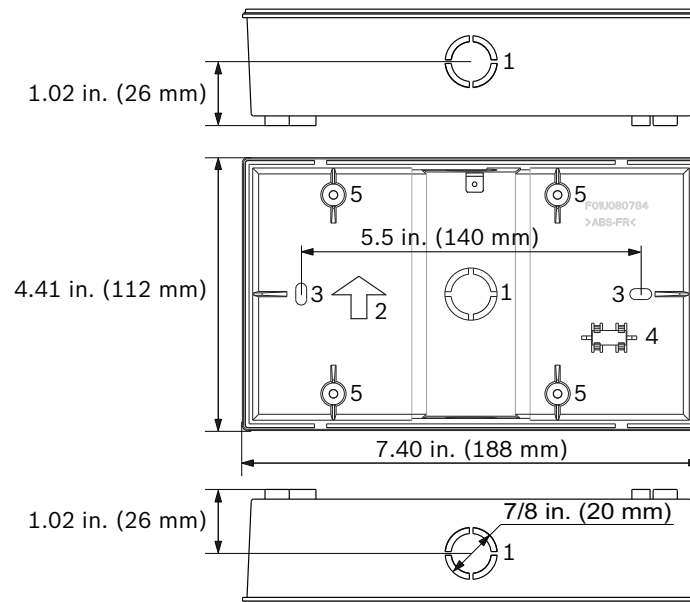


Figura 4.2 Caja Posterior del Centro de Comando Remoto FMR-1000-RCMD

Leyenda	
1	Salida para conexión de ducto de 1,27 cm (1/2 pulg.) en la parte posterior, inferior y superior
2	Flecha apuntando hacia arriba
3	Orificios para montaje en superficie
4	Nivel de burbuja
5	Puntos de fijación de la unidad del anunciador (4 tornillos)

4.3 Montaje Empotrado

<p>Para el montaje empotrado, utilice una caja eléctrica de 3 acometidas. Consulte la <i>Figura 4.3</i> para escoger los orificios de montaje.</p> <p>Antes de montar la unidad, siga las instrucciones de</p> <ul style="list-style-type: none"> - Sección 6 <i>Introducción de la Ficha de Idioma</i> en la <i>Página 23</i> - Sección 7 <i>Configuración de Dirección</i> en la <i>Página 23</i> - Sección 5 <i>Cableado</i> en la <i>Página 21</i>. 	
<p>Figura 4.3 Montaje Empotrado</p>	
<p>Leyenda</p>	
1	Orificios para montaje empotrado

5 Cableado



¡PELIGRO!

Riesgo de explosiones y quemaduras. No cortocircuite los terminales.

Si se utilizan conexiones incorrectas, pueden producirse daños en la unidad o daños personales.

Antes de realizar tareas de mantenimiento en el equipo, retire todo tipo de conexiones de alimentación.

5.1 Distancia del cableado de los circuitos del bus de opciones

Use un cable de cuatro conductores de 0,8 mm² (18 AWG), o de diámetro superior, para conectar los dispositivos de Bus de Opciones a la FACP. La longitud total del cable conectado a los terminales del Bus de Opciones no debe superar los 1.219 m (4.000 pies), independientemente de la sección de cable utilizada.

La longitud máxima entre un dispositivo y los terminales del panel dependerá de la intensidad de corriente del ramal de dicho dispositivo cuando está encendido. Si desea conocer la intensidad de corriente de un ramal determinado, sume la intensidad de corriente individual de cada uno de los dispositivos conectados al ramal. Consulte la *Guía de Instalación y Operación FPA-1000* (F.01U.173.607) para conocer los cálculos de longitud del cableado de forma detallada.

5.2 Conexiones del Cableado

La FMR-1000-RCMD se alimenta a través de las siguientes salidas de alimentación de la FPA-1000:

- Alimentación de 12 VCC (Bus de Opciones)
- Salida de alimentación auxiliar sin filtrar FWR de 24 V

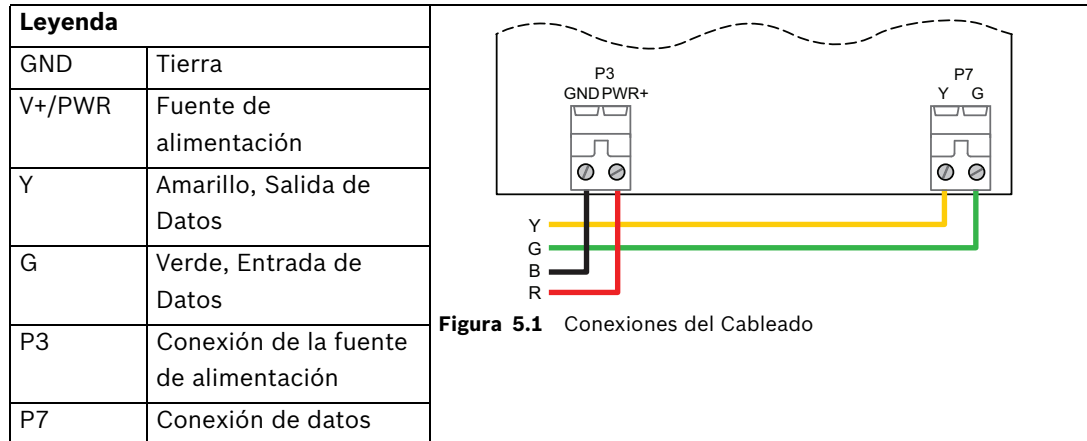
o una fuente de alimentación externa listada UL y referencia de tierra común con la FPA-1000:

- Alimentación de 12 VCC
- Alimentación de 24 V CC.

Para cablear el FMR-1000-RCMD:

1. Apague el panel de control.

2. Dirija los cables desde la FACP a los anunciadores.
3. Haga pasar los cables a través de una de las salidas de la base del anunciador (montaje en superficie) o de la caja eléctrica de 3 acometidas (montaje empotrado). Consulte la *Figura 4.2* en la *Página 20* para ver dónde se encuentra la entrada de los cables en la caja posterior.



4. Conecte los cables a los terminales del FMR-1000-RCMD. Consulte la *Figura 5.1*.
5. Para un montaje en superficie con la caja posterior: fije la base. Utilice el nivel de burbuja para asegurarse de que la caja posterior quede perfectamente horizontal. Consulte la *Figura 4.2* en la *Página 20*.
6. Ajuste la unidad del anunciador con los cuatro tornillos de montaje, ayudándose de un destornillador Phillips (en cruz). Ajuste el tornillo de la toma de tierra. Consulte
7. Coloque el marco de cubierta de la carcasa en la base, a lo largo de la parte superior. Presione la parte inferior hasta que encaje perfectamente en su sitio.

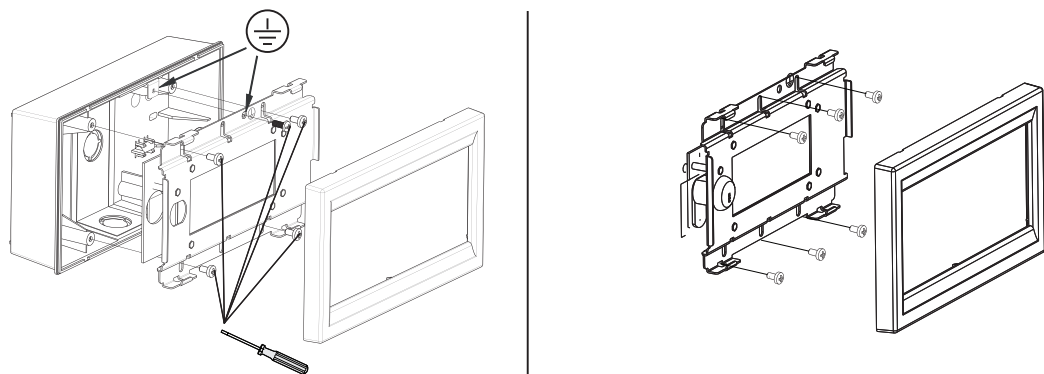


Figura 5.2 Colocación de los tornillos de montaje y el tornillo de la toma de tierra

Al encender el dispositivo, el sistema lleva a cabo una prueba de autodiagnóstico. Este proceso rutinario incluye una comprobación de todas las interfaces, conmutadores de dirección, LEDs, LCD, zumbador (buzzer), teclas, consumo de corriente y una prueba de lámparas.

5.3 Extracción del Marco de Cubierta de la Carcasa para el Mantenimiento

Para retirar el marco de cubierta de la carcasa cuando la unidad del anunciador ya está montada, introduzca un destornillador pequeño de cabeza plana en cada una de las ranuras de la parte inferior o superior del marco. Presione hacia arriba y extraiga el marco de cubierta de la carcasa.

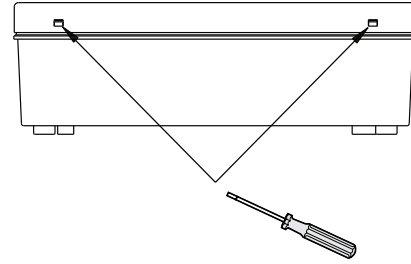


Figura 5.3 Extracción del Marco de Cubierta de la Carcasa (tras la instalación)

6 Introducción de la Ficha de Idioma

Para cambiar el idioma del texto de los LED y las teclas, utilice las fichas que se suministran con el FMR-1000-RCMD.

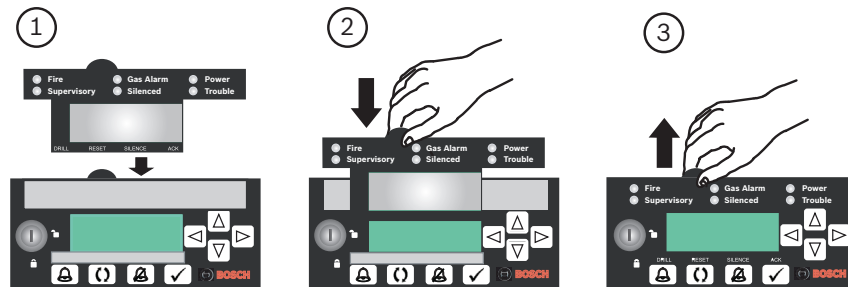


Figura 6.1 Introducción de la Ficha de Idioma

1. Introduzca la ficha con cuidado en la ranura situada en la parte superior del teclado.
2. Deslice la ficha hacia abajo con cuidado hasta que quede completamente alineada con el teclado.
3. Para retirar la ficha, tire de la lengüeta con cuidado.

7 Configuración de Dirección

Cada FMR-1000-RCMD conectado al Bus de Opciones de la FPA-1000 debe configurarse a una dirección del Bus de Opciones exclusiva, comprendida entre 16 y 23. Los dispositivos también deben programarse en el panel de control (consulte la *Guía de Instalación y Operación FPA-1000* [P/N F.01U.173.607]).

La dirección se configura mediante los conmutadores DIP de la placa principal de la unidad del anunciador. Consulte la *Tabla 7.1*.

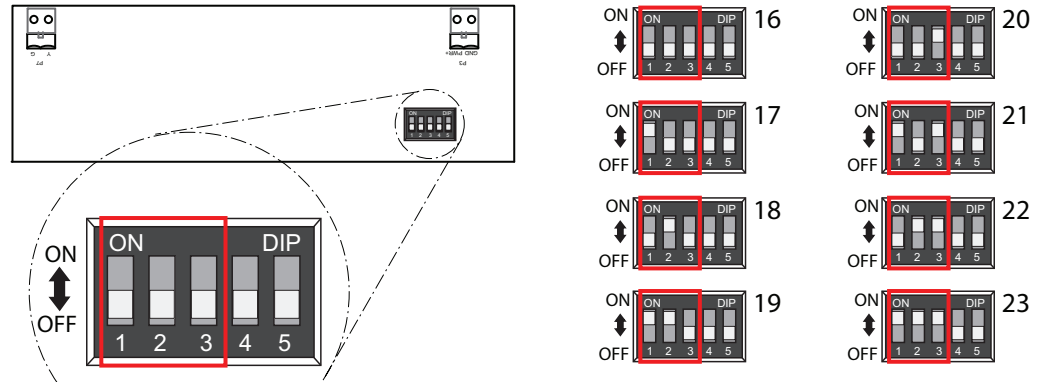


Figura 7.1 Configuración de Dirección

Dirección de Bus de Opciones	DIP 1	DIP 2	DIP 3	DIP 4	DIP 5
16	OFF	OFF	OFF	Posición OFF: Las teclas de control están bloqueadas.	Posición OFF: Bloqueo de teclas activo.
17	ON	OFF	OFF		
18	OFF	ON	OFF		
19	ON	ON	OFF		
20	OFF	OFF	ON	Posición ON: Todas las teclas están bloqueadas.	Posición ON: bloqueo de teclas excluido.
21	ON	OFF	ON		
22	OFF	ON	ON		
23	ON	ON	ON		

Tabla 7.1 Función del Conmutador DIP

El conmutador DIP 4 permite bloquear las teclas de control (simulacro de evacuación, restablecer y silenciar) en la posición Apagado. Asimismo, permite bloquear todas las teclas en la posición Encendido.

El conmutador DIP 5 bloquea las teclas del dispositivo en la posición Apagado y excluye el bloqueo de las teclas en la posición Encendido.



¡NOTA!

Cada dispositivo de Bus de Opciones debe poseer su propia dirección; y cada una de éstas admitirá sólo un dispositivo. Compruebe que no hay ninguna dirección duplicada en el bus.

8 Programación

Todos los Anunciadores Remotos y los Centros de Comando Remotos deben configurarse como elementos conectados al Bus de Opciones.

La central FPA-1000 permite varios enfoques de programación:

- In situ desde el panel frontal para programar otro panel, pero no se pueden programar todos los parámetros
- In situ a través de un servidor Web mediante un ordenador portátil (conectado al panel con un cable CAT5)
- Remoto, mediante una página Web y una conexión telefónica
- Remoto, mediante una página Web y una conexión Ethernet

Para la programación desde el frente del panel, el sistema ofrece una función de autoaprendizaje que permite al instalador configurar el sistema de forma rápida y sencilla en modo predeterminado.

Mediante el uso de un portátil local o un acceso remoto a través de un comunicador, la programación se lleva a cabo mediante una interfaz de usuario basada en navegador (teclado virtual).

Consulte la *Guía de Instalación y Funcionamiento FPA-1000* (P/N F.01U.173.607) para obtener instrucciones más detalladas sobre la programación.

9 Operación

9.1 Teclado LCD y LED

Los LED del Centro de Comando Remoto indican el estado global del sistema (consulte la *Tabla 9.1*). Además, cualquier falla de comunicación en el Bus de Opciones lo indicará el LED de problema, que parpadeará a 1 Hz (consulte la *Sección 10 Solución de problemas* en la *Página 29*).

Leyenda	
1	LED
2	Tecla de dispositivo
3	Pantalla LCD
4	Teclas de desplazamiento
5	Teclas de simulacro de Evacuación, Restablecimiento, Silenciado y Reconocimiento [REC]

Figura 9.1 Vista Frontal del FMR-1000-RA

LED	Estado del Sistema	
Fuego Rojo	Encendido	Cuando el sistema registra una alarma de incendio y no se restablece.
	Apagado	<ul style="list-style-type: none"> Si no se registra ninguna alarma. Después del restablecimiento.
Alarma de Gas Azul	Encendido	Cuando el sistema registra una alarma de gas y no se restablece.
	Apagado	<ul style="list-style-type: none"> Si no se registra ninguna alarma de gas. Después del restablecimiento.
Alimentación Verde	Encendido	Si la alimentación de CA se aplica al panel.
	Parpadeante ¹⁾	Cuando la alimentación de CA falla y la unidad funciona con la alimentación de la batería.
	Apagado	Cuando no se recibe alimentación (ni de CA ni de la batería).
Supervisado Amarillo	Encendido	Cuando el sistema registra una condición de supervisión.
	Apagado	Cuando no se registra ninguna condición de supervisión.
Silenciado Amarillo	Encendido	<ul style="list-style-type: none"> Cuando el usuario silencia manualmente una condición de alarma o problema. Si el temporizador de silencio automático del sistema finaliza.
	Apagado	<ul style="list-style-type: none"> Cuando no se silencia ninguna condición. Cuando se corrige una condición que se ha silenciado.


LED		Estado del Sistema
Problema Amarillo 	Encendido	<ul style="list-style-type: none"> – Cuando el panel se está iniciando. – Cuando el panel registra una condición de problema de un punto o del panel. – Cuando se excluyen salidas, entradas u otros elementos.
	Parpadea nte ¹⁾	<ul style="list-style-type: none"> – Cuando el panel no está en operación. – Cuando el modo de prueba está en curso.
	Apagado	<ul style="list-style-type: none"> – Cuando no existe ninguna condición de problema. – Cuando el panel se está restableciendo.
¹⁾ La velocidad de parpadeo de los LED es de 1 Hz (0,5 s encendido; 0,5 s apagado).		

Tabla 9.1 Operación del LED

Pantalla

El Centro de Comando Remoto FMR-1000-RCMD utiliza una pantalla LCD de 80 caracteres (4 líneas x 20 caracteres) con un amplio ángulo de visión. La pantalla incluye una retroiluminación de LED de larga duración. El panel controla la retroiluminación, aunque también se puede activar al presionar cualquier tecla. Se apagará una vez transcurridos 30 segundos sin pulsar ninguna tecla. Incluso si se apaga la alimentación de CA, la retroiluminación por LED seguirá encendida mientras un usuario esté utilizando el teclado.

Sirena Piezoeléctrica

El Centro de Comando Remoto FMR-1000-RCMD cuenta con una sirena piezoeléctrica que indica de forma audible el estado del sistema. Consulte la *Tabla 9.2* para ver los modos de la serie piezoeléctrica cuando la central controla al FMR-1000-RCMD:

Operación de la Sirena Piezoeléctrica	Estado del Sistema
Silencio	El panel se encuentra en estado normal (ausencia de condición de alarma, supervisión o problema). El panel se ha silenciado o reconocido tras una condición anormal.
Sonido continuo	El panel se encuentra en estado de alarma.
Sonido periódico (0,5 s cada 2 s)	El panel se encuentra en estado de alarma de gas.
Sonido periódico (0,5 s cada 4 s)	El panel se encuentra en condición de supervisión.
Sonido periódico (0,5 s cada 10 s)	Se ha producido un problema en el panel o se ha producido un fallo de comunicación en el Bus de Opciones.
Sonido corto	Con cada pulsación de tecla válida.

Tabla 9.2 Operación de la Sirena Piezoeléctrica con un FMR-1000-RCMD Controlado por la Central

En caso de que se activen varias sirenas piezoeléctricas, se mostrará el estado del sistema con la prioridad más alta.

Si el Centro de Comando Remoto no está controlado por la central o se produce una falla en la comunicación, consulte la *Tabla 9.3* para obtener más información sobre los modos de la sirena piezoeléctrica:

Operación de la Sirena Piezoeléctrica	Estado del Sistema de un FMR-1000-RA Controlado de Forma Local
Sonido periódico (0,5 s cada 10 s)	Se ha producido una falla de comunicación en el Bus de Opciones.

Tabla 9.3 Operación de la Sirena Piezoeléctrica con un FMR-1000-RCMD Controlado de Forma Local

9.2 Prueba de lámparas

Para llevar a cabo una prueba de lámparas, deberá mantener pulsada la tecla de reconocimiento [REC] durante más de 3 segundos. En el momento en que se inicie la prueba de lámparas, todos los LED del FMR-1000-RA se encenderán y la pantalla LCD se llenará de bloques de color negro. Al soltar la tecla de reconocimiento [REC], el número de revisión, la dirección del Bus de Opciones y el estado de bloqueo del teclado aparecerán en la pantalla LCD durante 3 segundos. A continuación, los LED y la pantalla LCD regresarán a su operación normal (controlado por la central).

9.3 Operaciones de Teclado

Con la tecla de bloqueo activada, el usuario podrá utilizar las teclas de desplazamiento únicamente para navegar por la pantalla LCD y utilizar la tecla de reconocimiento [REC]. Si se presiona una tecla no válida, la pantalla mostrará "TECLA BLOQUEADA" durante 3 segundos. Consulte la *Tabla 7.1* en la *Página 24* para ver la exclusión de la opción de bloqueo. Con la tecla de bloqueo desactivada o el conmutador DIP para bloquear teclas excluido, el usuario podrá utilizar cualquiera de las teclas del dispositivo.

Visualización del Estado

Si no hay alarmas o problemas en el sistema, el mensaje en pantalla será "SISTEMA NORMAL" o "SISTEMA NORMAL DÍA" junto con la fecha y hora actuales.

Durante el inicio mediante la puesta en marcha o la reconfiguración, la pantalla muestra "Iniciando Sistema".

Después de reiniciar, el panel muestra la pantalla "Restableciendo Sist" hasta que el sistema vuelve al estado de supervisión normal.

Si se activan SPA o Señal Previa, la pantalla muestra "SISTEMA NORMAL DIA".

Cualquier condición anormal se muestra en grupos clasificados como alarma de incendio, alarma de gas, supervisión y problema.

Utilice las teclas de dirección para visualizar eventos o condiciones de un mismo grupo. Las teclas de dirección arriba y abajo desplazan al usuario al evento anterior o siguiente. Las teclas de dirección izquierda y derecha cambian entre grupos.



¡NOTA!

Consulte la *Guía de Instalación y Operación FPA-1000* (P/N F.01U.173.607).

Reconocer

Durante una alarma, al presionar la tecla de reconocimiento [REC] se apaga la sirena piezoeléctrica que se activada en uno de los anunciadores. Todos los eventos o problemas en curso aparecerán marcados como "Reconocidos". Se inicia el temporizador de recordatorio de problema de 24 horas. Cualquier evento de problema que no se haya eliminado en un plazo de 24 horas, vuelve a enviarse y la sirena piezoeléctrica se activa nuevamente.

Al activar un punto de entrada de incendio configurado como "SPA activado" (con SPA global activado), si se pulsa la tecla de reconocimiento [REC] en un plazo de 15 segundos tras una activación de SPA, el temporizador de investigación se inicia. Esto permite al usuario investigar la alarma de incendio o iniciar otras acciones apropiadas hasta que el temporizador finalice.

También es posible iniciar una operación de reconocimiento mediante la activación de un punto de entrada configurado como un tipo de reconocimiento.

Silencio

Al pulsar la tecla de silenciar se realizan todas las funciones de la operación de reconocimiento.

Cuando se ejecuta la operación de silencio, tanto el panel como las luces LED cambian al estado "Silenciado". Se desconectan las sirenas piezoeléctricas de todos los teclados y los anunciadores. Se silencian todas las salidas configuradas como "Silenciable". Los NAC ejecutan el pulso "Silenciado" para el patrón programado, o se quedan sin alimentación, como se describe en la opción global "Config. Silencio". Las luces estroboscópicas continúan parpadeando.

Si se programa, el panel envía un informe de silencio a la estación central.

Si se vuelve a pulsar la tecla [SILENCIAR] cuando el panel ya está silenciado, el panel genera un comando para desactivar el silencio. La operación de silenciar no restablece el estado de alarma y no devuelve la entrada activada al estado de servicio normal. Cualquier alarma nueva que se produzca activa de nuevo las salidas silenciadas.

Recordatorio de Problema

Si algún evento no se elimina en un plazo de 24 horas después de pulsar la tecla [SILENCIAR] o [REC], el panel vuelve a hacer sonar la sirena piezoeléctrica y los eventos se transmiten de nuevo a la estación central.

Restablecer

Al pulsar la tecla de restablecimiento se desactiva la sirena piezoeléctrica y todas las salidas activadas o silenciadas. La operación de restablecimiento desactiva la alimentación auxiliar (AUX/RST) durante 5 segundos y activa la zona de restablecimiento global. Todos los estados de alarma, supervisión y problema causados por la activación de puntos de SLC se eliminan. Entonces, el panel trata de restablecer todos los puntos que se encuentran en un estado anormal. La operación de restablecimiento no afecta a todas las condiciones de problema del sistema. Si se programa, el panel envía un informe de restablecimiento a la estación central. Cualquier alarma o problema que se produzca tras un restablecimiento provocará que el sistema vuelva a activarse.

Evacuación

Para activar la operación de evacuación, la tecla [EVACUAR] debe pulsarse dos veces para evitar la activación accidental. Si pulsa la tecla sólo una vez, el sistema solicita confirmación. Si pulsa la tecla [EVACUAR] de nuevo, se activan todos los NAC no excluidos y las salidas de relé evacuables.

Si se pulsa la tecla de restablecimiento, se detiene la operación de evacuación, o bien, se cancela de forma automática si la operación se inició en una hora programada. De forma automática, se lleva a cabo un restablecimiento del sistema mediante la detención de la evacuación, de modo que el panel y todos los dispositivos de campo reanudan su operación normal.

Si así se ha programado, se transmite a la estación central un informe de inicio de evacuación y otro de finalización.

10 Solución de problemas

Pantalla	LED	Sirena piezoeléctrica	Descripción
SIN PROGRAMACIÓN	0,5 s encendido/ 0,5 s apagado	0,5 s cada 10 s	No se está desarrollando ninguna actividad de comunicación en la dirección del dispositivo.
SIN COMUNICACIÓN	0,5 s encendido/ 0,5 s apagado	0,5 s cada 10 s	Después de 60 segundos sin actividad de comunicación desde ninguna dirección del Bus de Opciones.
COMUNICACIÓN CORRECTA	Apagado	Apagado	Comunicación en la dirección del dispositivo, aún no se ha recibido texto.

11 Especificaciones

11.1 Datos eléctricos

Tensión en operación	CC nominal de 12 V o FWR/CC de 24 V
Consumo de corriente a 12 V CC	
– Corriente en reposo	Máximo de 25 mA (encendido sólo el LED de alimentación)
– Corriente de alarma	Máximo de 150 mA (con el anunciador y la sirena piezoeléctrica encendidos)
Consumo de corriente a 24 V CC/FWR	
– Corriente en reposo	Máximo de 30 mA (encendido sólo el LED de alimentación)
– Corriente de alarma	Máximo de 120 mA (con el anunciador y la sirena piezoeléctrica encendidos)

11.1.1 Especificaciones del Cableado

Entradas de cable	3 salidas para conexiones de ducto de 1,27 cm (1/2 pulg.) en la parte posterior, inferior y superior
Conexiones	2 conectores (4 terminales)
Sección del cable	De 3,25 mm ² a 0,75 mm ² de diámetro (de 12 a 18 AWG)
Tipo de cable	Cable no apantallado de cuatro conductores
Número máximo de anunciadores por sistema	8 (FMR-1000-RA y FMR-1000-RCMD)
Distancia permitida entre la FACP y el anunciador	610 m (2000 pies)
Longitud máxima del cable del Bus de Opciones	1.219 m (4.000 pies), en función de la sección de cable y los dispositivos conectados

11.2 Datos mecánicos

Elementos de operación y visualización	
- 6 LED	Incendio (rojo), Alarma de Gas (azul), Alimentación (verde), Supervisión, Silenciado y Problema (3 x amarillo)
- LCD	Pantalla LCD de 4 líneas x 20 caracteres, retroiluminación
- Teclas	Teclas de Simulacro de Evacuación, Restablecimiento, Silenciado, Reconocimiento [REC], 4 flechas de dirección
- Sirena piezoeléctrica	Sirena piezoeléctrica integrada
Caja posterior con orificios de montaje	2, con 140 mm (5,5 pulg.) de espacio entre ellos
Material de la carcasa	ABS-FR
Color	Rojo
Dimensiones (An. x Al. x Pr.)	
- FMR-1000-RCMD	188 x 112 x 61 mm (7,40 x 4,41 x 2,40 pulg.)
- Caja posterior	188 x 112 x 48 mm (7,40 x 4,41 x 1,89 pulg.)
Peso	550 g (19,4 onzas)

11.3 Condiciones Ambientales

Entorno	Interior, seco
Temperatura de operación	De 0 °C a +49 °C (de 32 °F a 120 °F)
Temperatura de almacenamiento	De -20 °C a +60 °C (de -4 °F a 140 °F)
Humedad relativa	Hasta un 95%, sin condensación
Clase de protección según IEC 605029	IP 30

11.4 Marcas comerciales

Phillips es una marca comercial registrada de Phillips Screw Co.

Índice

1	Aviso	32
2	Conteúdo do Fornecimento	32
3	Descrição do Dispositivo	32
4	Instalação	33
4.1	Removendo a Estrutura de Cobertura	33
4.2	Instalação em Superfície	33
4.3	Instalação Embutida	35
5	Cabeamento	35
5.1	Distância do Cabeamento do Circuito do Barramento de Opções	35
5.2	Conexões do Cabeamento	35
5.3	Removendo a Estrutura de Cobertura para Manutenção	37
6	Inserindo a Máscara do Idioma	37
7	Definição do Endereço	37
8	Programação	38
9	Operação	39
9.1	LEDs e Teclado LCD	39
9.2	Teste de Lâmpada	41
9.3	Operações do Teclado	41
10	Resolução de Problemas	42
11	Especificações	43
11.1	Elétricas	43
11.1.1	Especificações do Cabeamento	43
11.2	Mecânicas	43
11.3	Condições Ambientais	44
11.4	Marcas Registradas	44

1 Aviso

Estas instruções cobrem a instalação do Centro de Comando Remoto FMR-1000-RCMD da Bosch em um sistema de incêndio supervisionado por um Painel de Incêndio Endereçável Analógico FPA-1000 da Bosch ou um Painel de Controle de Alarme de Incêndio com condições de conexão semelhantes.

Instale, teste e mantenha o FMR-1000-RCMD de acordo com estas instruções, a norma NFPA 72, os Códigos Locais e a Autoridade com Jurisdição. O não cumprimento destas instruções pode resultar em funcionamento incorreto do dispositivo. A Bosch Security Systems Inc. não se responsabiliza por dispositivos instalados, testados ou mantidos incorretamente.

Consulte o *Manual de Instalação e Operação do FPA-1000* (P/N F.01U.174.607) para se obter informações detalhadas dos requisitos do estilo de cabeamento e de todas as instruções de programação.



NOTA!

O NFPA 72 requer que seja efetuado um teste funcional completo abrangendo todo o sistema após quaisquer modificações, reparos, upgrades ou ajustes efetuados nos componentes do sistema, hardware, cabeamento, programação e software/firmware.



CUIDADO!

Estas instruções contêm procedimentos a serem seguidos para evitar danos pessoais e danos no equipamento.

2 Conteúdo do Fornecimento

Descrição
Um Centro de Comando Remoto (em caixa de base com estrutura de cobertura)
Máscaras com diferentes versões de idioma para a nomenclatura dos LEDs e das teclas
Um kit de acessórios
Um <i>Manual de Instalação e Operação do FMR-1000-RCMD</i>

3 Descrição do Dispositivo

O Centro de Comando Remoto FMR-1000-RCMD é um indicador LCD de quatro fios com capacidade para controlar o sistema. Apresenta LEDs e display LCD idênticos ao painel e inclui uma sirene piezelétrica, teclas de rolagem e teclas de operação para reconhecimento [RECONH], teste de evacuação, reset e silenciar. As funções de rolagem e a tecla de reconhecimento [RECONH] estão acessíveis sem restrição. As teclas para reset, silenciar ou teste de evacuação podem ser ativadas ou desativadas pela fechadura do dispositivo. Além disso, as teclas de operação ou todas as teclas podem ser bloqueadas usando os interruptores DIP (consulte a *Tabela 7.1* na *Página 38*).

O Centro de Comando Remoto inclui máscaras com diferentes versões de idioma para a nomenclatura dos LEDs e das teclas. O dispositivo permite a instalação em superfície plana e semi-embutida.

Cada Painel de Incêndio Endereçável Analógico FPA-1000 suporta até um total de oito Indicadores Remotos FMR-1000-RA e/ou Centros de Comando Remotos FMR-1000-RCMD.

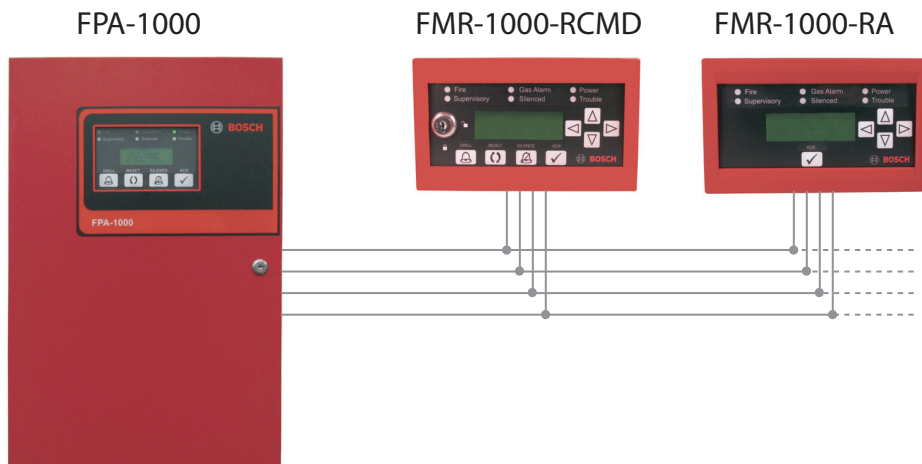


Figura 3.1 Visão Geral do Sistema

4 Instalação

O Centro de Comando Remoto deve ser instalado a uma altura não superior à altura do ombro da pessoa mais baixa que irá operar o sistema.

4.1 Removendo a Estrutura de Cobertura

O dispositivo é fornecido com o material de montagem e as máscaras de idiomas separados por embalagens internas. Para remover a estrutura de cobertura do dispositivo da unidade indicadora, segure o conjunto e solte o gancho de encaixe rápido de um dos lados. Puxe e retire a estrutura de cobertura.

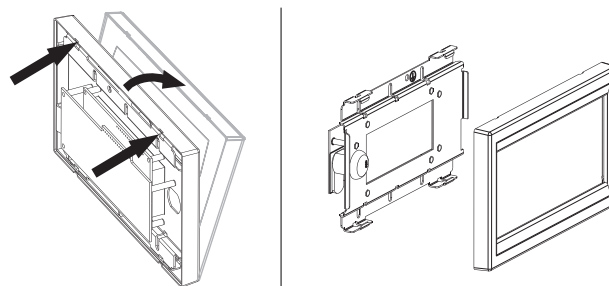


Figura 4.1 Removendo a Estrutura de Cobertura (antes da instalação)

4.2 Instalação em Superfície

1. A caixa de base possui três orifícios com tampas removíveis para eletrodutos de 1/2 pol. de diâmetro, sendo um na parte traseira, um na parte inferior e um no topo (consulte a Figura 4.2, Item 1). Para obter um orifício perfeito, remova a sua tampa pelo lado interno da caixa.



NOTA!

Para obter um orifício perfeito, remova a sua tampa pelo lado interno da caixa.

2. Instale a caixa de base com a seta voltada para cima (consulte a Figura 4.2, Item 2).
3. Use a caixa de base como gabarito para marcar o local dos furos de instalação (consulte a Figura 4.2, Item 3). Prepare uma abertura na superfície de instalação para o cabeamento. Preposicione os parafusos. Não aperte os parafusos neste momento.

4. O nível de bolha integrado permite o nivelamento horizontal sem necessitar de ferramentas adicionais quando fixar a base (consulte a *Figura 4.2*, Item 4).

Antes de instalar a unidade, siga as instruções na

- *Secção 6 Inserindo a Máscara do Idioma na Página 37*
- *Secção 7 Definição do Endereço na Página 37*
- *Secção 5 Cabeamento na Página 35.*

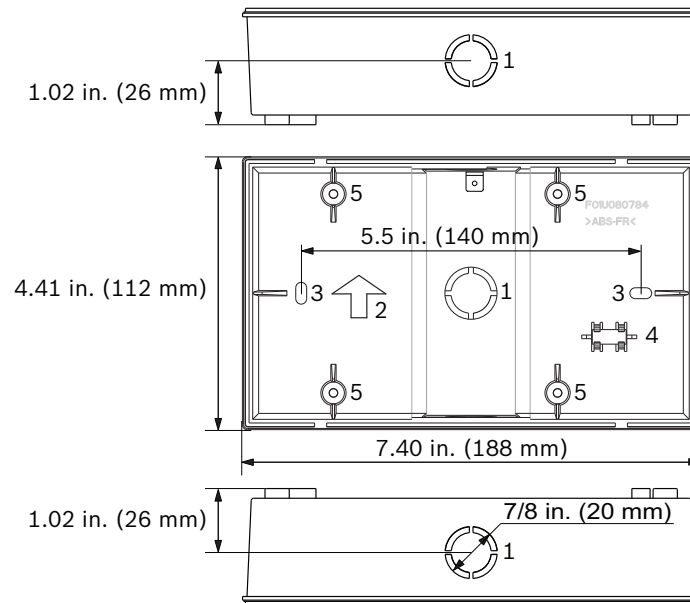


Figura 4.2 Caixa de base do Centro de Comando Remoto FMR-1000-RCMD

Legenda	
1	Orifício com tampa removível para eletroduto de 1/2 pol. na traseira, na parte inferior e no topo
2	Seta apontando para cima
3	Furos para instalação em superfície
4	Nível de bolha
5	Pontos de fixação para a unidade indicadora (4 parafusos)

4.3 Instalação Embutida

Para instalação embutida, use uma caixa adequada de instalação elétrica. Consulte a *Figura 4.3* para selecionar os furos de instalação.

Antes de instalar a unidade, siga as instruções na

- *Secção 6 Inserindo a Máscara do Idioma na Página 37*
- *Secção 7 Definição do Endereço na Página 37*
- *Secção 5 Cabeamento na Página 35.*

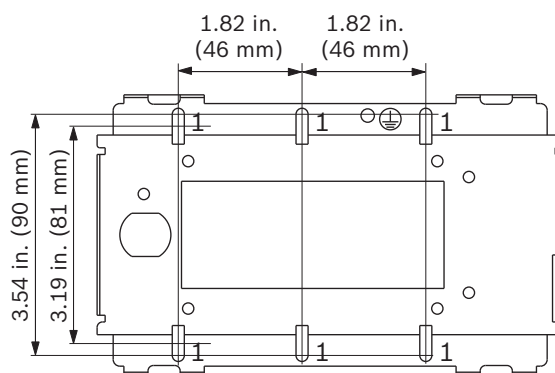


Figura 4.3 Instalação Embutida

Legenda

1	Furos para instalação embutida
---	--------------------------------

5 Cabeamento



PERIGO!

Perigo de explosão e queimaduras. Não curto-circuite os terminais.

Conexões incorretas podem resultar em danos na unidade e danos pessoais.

Antes de efetuar uma manutenção neste equipamento, desligue todas as conexões de alimentação.

5.1 Distância do Cabeamento do Circuito do Barramento de Opções

Use um cabo com quatro condutores de 18 AWG (0,8 mm²) ou de capacidade superior para conectar os dispositivos do Barramento de Opções ao FACP. O comprimento total do cabo conectado aos terminais do Barramento de Opções não deve exceder os 1.219 m (4.000 pés), independentemente da bitola do cabo usada.

O comprimento máximo entre quaisquer dos dispositivos e os terminais do painel depende do consumo de corrente verificado no ramal ao qual o dispositivo está conectado. O consumo de corrente em um ramal específico pode ser achado somando os consumos individuais de cada dispositivo conectado ao ramal. Consulte o *Manual de Instalação e Operação do FPA-1000* (P/N F.01U.173.607) para obter os cálculos detalhados do comprimento do cabo.

5.2 Conexões do Cabeamento

O FMR-1000-RCMD é alimentado pelas seguintes saídas de alimentação do FPA-1000:

- Alimentação de 12 Vcc (Barramento de Opções)
- Saída de alimentação auxiliar não filtrada FWR de 24 V

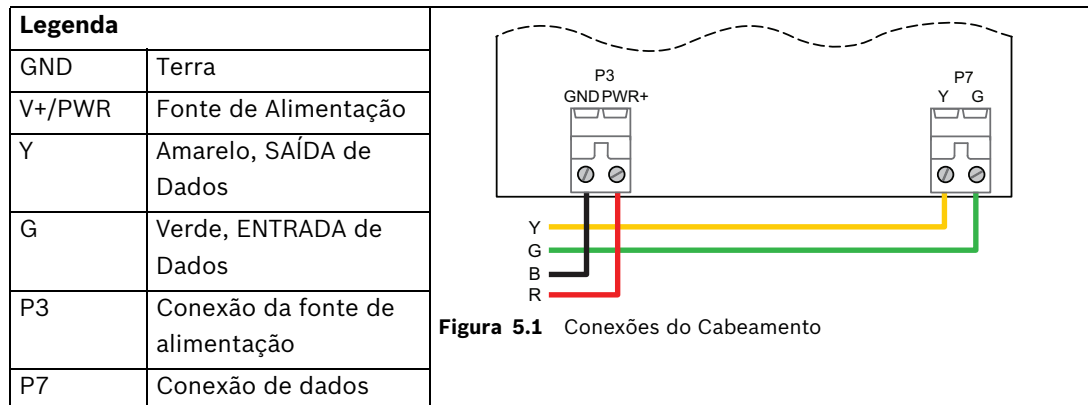
ou fonte de alimentação externa certificada pela UL com conexão à terra de referência comum com FPA-1000:

- Alimentação de 12 Vcc
- Alimentação de 24 Vcc.

Para conectar o FMR-1000-RCMD:

1. Desligue a alimentação do painel de controle.
2. Encaminhe o cabeamento do FACP para os indicadores.

3. Passe o cabeamento através de um dos orifícios na base do Centro de Comando (instalação em superfície) ou da caixa elétrica (instalação embutida). Consulte a *Figura 4.2* na *Página 34* para a localização da entrada do fio na caixa de base.



4. Conecte o cabeamento aos terminais do FMR-1000-RCMD. Consulte o *Figura 5.1*.
5. Para a instalação em superfície com caixa de base: Fixe a base. Utilize o nível de bolha para se certificar que a caixa de base está exatamente na horizontal. Consulte a *Figura 4.2* na *Página 34*.
6. Fixe a unidade com os quatro parafusos de instalação usando uma chave Phillips. Fixe o parafuso para a ligação à terra. Consulte
7. Coloque a estrutura de cobertura na base pelo lado superior. Pressione a parte inferior até que encaixe no lugar.

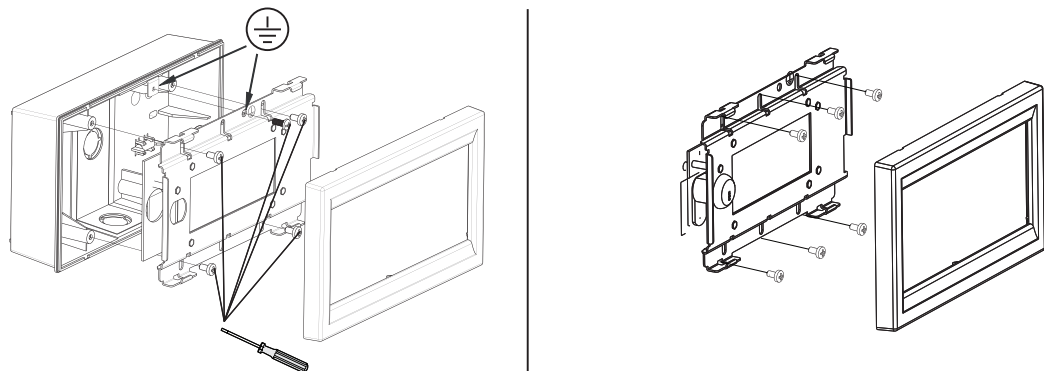


Figura 5.2 Posição dos Parafusos de Instalação e do Parafuso de Terra

Quando o dispositivo é alimentado, o sistema executa um autoteste. A rotina inclui a verificação de todas as interfaces, interruptores de endereços, LEDs, LCD, sirene, teclas, consumo de corrente e teste de lâmpada.

5.3 Removendo a Estrutura de Cobertura para Manutenção

Para remover a estrutura de cobertura do dispositivo quando a unidade indicadora já se encontra montada, insira uma chave de fenda pequena em cada ranhura na parte inferior ou no topo da estrutura. Pressione para cima e retire a estrutura de cobertura.

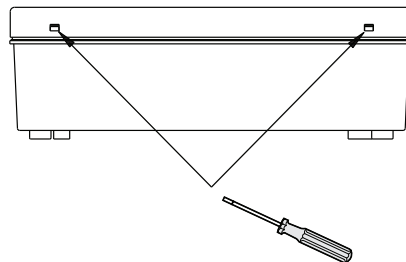


Figura 5.3 Removendo a Estrutura de Cobertura (depois da instalação)

6 Inserindo a Máscara do Idioma

Para a nomenclatura dos LEDs e das teclas em diferentes versões de idioma, utilize as máscaras fornecidas com o FMR-1000-RCMD.

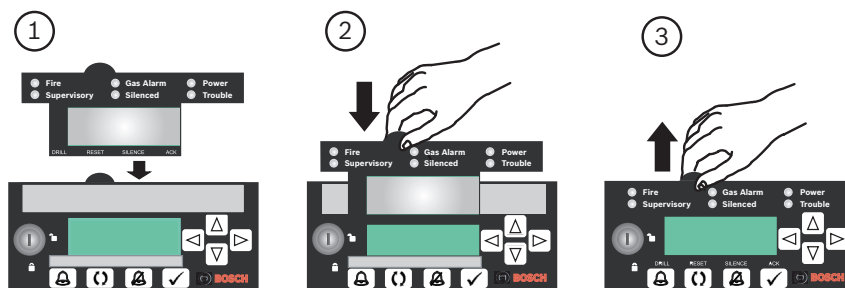


Figura 6.1 Inserindo a Máscara do Idioma

1. Insira cuidadosamente a máscara na ranhura, na parte superior do teclado.
2. Faça deslizar a máscara cuidadosamente para baixo, até estar completamente embutida no teclado.
3. Para remover a máscara, puxe cuidadosamente para cima pela aba.

7 Definição do Endereço

Cada FMR-1000-RCMD conectado ao Barramento de Opções do FPA-1000 deve ser definido para um único endereço do Barramento de Opções de 16 a 23. Os dispositivos também devem ser programados no painel de controle (consulte o *Manual de Instalação e Operação do FPA-1000* P/N F.01U.173.607).

O endereço é definido usando os interruptores DIP na placa principal da unidade indicadora. Consulte o *Tabela 7.1*.

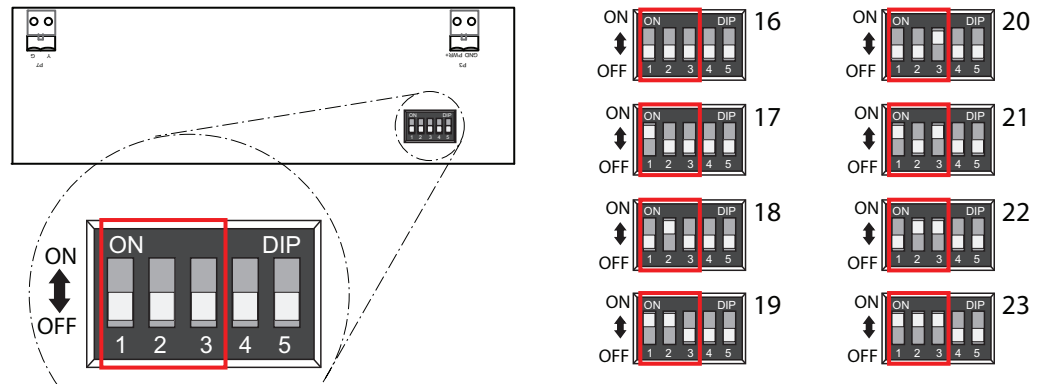


Figura 7.1 Definição do Endereço

Endereço do Barramento de Opções	DIP 1	DIP 2	DIP 3	DIP 4	DIP 5
16	OFF	OFF	OFF	Posição OFF: As teclas de controle estão bloqueadas.	Posição OFF: Bloqueio de tecla ativo.
17	ON	OFF	OFF		
18	OFF	ON	OFF		
19	ON	ON	OFF		
20	OFF	OFF	ON	Posição ON: Todas as teclas estão bloqueadas.	Posição ON: Bloqueio de tecla desabilitado.
21	ON	OFF	ON		
22	OFF	ON	ON		
23	ON	ON	ON		

Tabela 7.1 Função do Interruptor DIP

O interruptor DIP 4 permite o bloqueio das teclas de controle (teste de evacuação, reset e silenciar) na posição OFF e o bloqueio de todas as teclas na posição ON.

O interruptor DIP 5 ativa o bloqueio de tecla do dispositivo na posição OFF e desabilita o bloqueio de tecla na posição ON.



NOTA!

Cada dispositivo do Barramento de Opções deve possuir o seu próprio endereço, sendo que cada endereço suporta somente um dispositivo. Certifique-se de que não existam endereços duplicados no barramento.

8 Programação

Todos os Centros de Comando Remotos devem ser configurados como elementos conectados ao Barramento de Opções.

O FPA-1000 permite várias abordagens de programação:

- No local, no painel frontal para programar outro painel, mas nem todos os parâmetros podem ser programados
- No local através de um servidor Web usando um laptop (conectado ao painel através de cabo CAT5)
- Remoto, usando uma página da Web e uma conexão dial-up
- Remoto, usando uma página da Web e uma conexão Ethernet.

Para a programação pelo painel frontal o sistema fornece uma função de autoreconhecimento, permitindo ao instalador configurar de forma rápida e fácil o sistema no modo predefinido.

Usando um laptop ou um acesso remoto através de um comunicador, a programação é efetuada por meio de uma interface de usuário baseada em browser (teclado virtual). Consulte o *Manual de Instalação e Operação do FPA-1000* (P/N F.01U.173.607) para obter instruções detalhadas de programação.

9 Operação


9.1 LEDs e Teclado LCD

Os LEDs no Centro de Comando Remoto seguem o estado global do sistema (consulte a *Tabela 9.1*). Além disso, uma falha de comunicação no Barramento de Opções é indicada pelo LED de falha piscando a 1 Hz (consulte a *Secção 10 Resolução de Problemas na Página 42*).

Legenda	
1	LEDs
2	Chave do dispositivo
3	Tela LCD
4	Teclas de rolagem
5	Teclas para Teste de Evacuação, Reset, Silenciado e Reconhecimento [RECONH]

Figura 9.1 Vista Frontal FMR-1000-RCMD

LED		Estado do Sistema	
Incêndio Vermelho	Ligado	Sempre que o sistema registra um alarme de incêndio e não é resetado	
	Desligado	<ul style="list-style-type: none"> - Se não existir qualquer registro de alarme - Após o reset 	
Alarme de Gás Azul	Ligado	Quando o sistema registra um alarme de gás e não é resetado	
	Desligado	<ul style="list-style-type: none"> - Se não existir qualquer registro de alarme de gás - Após o reset 	
Alimentação Verde	Ligado	Se for aplicada alimentação CA ao painel	
	Intermitente ¹⁾	Quando a alimentação CA falha e a unidade funciona a partir da bateria	
	Desligado	Quando não é aplicada qualquer alimentação (CA ou bateria)	
Supervisório Amarelo	Ligado	Quando o sistema registra uma situação de supervisão	
	Desligado	Quando não é registrada qualquer situação de supervisão	
Silenciado Amarelo	Ligado	<ul style="list-style-type: none"> - Quando uma situação de alarme ou falha é silenciada manualmente pelo usuário - Se o temporizador de silenciar automático do sistema expirar 	
	Desligado	<ul style="list-style-type: none"> - Quando não é silenciada qualquer situação - Quando uma situação silenciada é corrigida 	

LED		Estado do Sistema	
Falha Amarelo 	Ligado	-	Quando o painel está inicializando
	Intermitente ¹⁾	-	Quando o painel registra uma situação de falha de um ponto ou painel
	Desligado	-	Quando entradas ou saídas ou outros elementos são desabilitados
		-	Quando o painel não está funcionando
		-	Quando o teste de caminhada está em curso
		-	Quando não existe qualquer situação de falha
		-	Quando o painel está resetando

¹⁾ A taxa de intermitência do LED é de 1 Hz (0,5 s ligado, 0,5 s desligado).

Tabela 9.1 Funcionamento do LED

Display

O Centro de Comando Remoto FMR-1000-RCMD utiliza um display LCD de amplo ângulo de visualização de 80 caracteres (4 linhas x 20 caracteres). O display inclui LED de longa duração para luz de fundo. A luz de fundo é controlada pelo painel ou ligada localmente após pressionar uma tecla qualquer e desligada após um período de 30 segundos sem que qualquer tecla seja pressionada. Mesmo em caso de falha de alimentação CA, o LED de luz de fundo permanece aceso se um usuário estiver operando o teclado.

Sirene Piezelétrica

O Centro de Comando Remoto FMR-1000-RCMD possui uma sirene piezelétrica que fornece uma indicação audível do estado do sistema. Consulte a *Tabela 9.2* para obter informações sobre os modos piezelétricos se o FMR-1000-RCMD for controlado pelo painel:

Operação Piezelétrica	Estado do Sistema
Silencioso	O painel encontra-se em estado normal (sem qualquer situação de alarme, supervisão ou falha). O painel foi silenciado ou reconhecido após uma situação fora do normal.
Alarme sonoro contínuo	O painel encontra-se em situação de alarme de incêndio.
Alarme sonoro periódico (0,5 s a cada 2 s)	O painel encontra-se em situação de alarme de gás.
Alarme sonoro periódico (0,5 s a cada 4 s)	O painel encontra-se em situação de supervisão.
Alarme sonoro periódico (0,5 s a cada 10 s)	O painel está em condição de falha ou existe uma falha de comunicação no Barramento de Opções.
Alarme sonoro breve	Com cada pressão de tecla válida.

Tabela 9.2 Operação Piezelétrica com FMR-1000-RCMD Controlado pelo Painel

Em caso de ativação piezelétrica múltipla, é indicado o estado do sistema com o nível de prioridade mais elevado.

Se o Centro de Comando Remoto não for controlado pelo painel ou durante uma falha de comunicação, consulte a *Tabela 9.3* para obter informações sobre os modos piezelétricos:

Operação Piezelétrica	Estado do Sistema com FMR-1000-RCMD Controlado Localmente
Alarme sonoro periódico (0,5 s a cada 10 s)	Existe uma falha de comunicação no Barramento de Opções.

Tabela 9.3 Operação Piezelétrica com FMR-1000-RCMD Controlado Localmente

9.2 Teste de Lâmpada

É efetuado um teste de lâmpada mantendo pressionada a tecla de reconhecimento [RECONH] durante mais de 3 segundos. Todos os LEDs no FMR-1000-RCMD são ligados e o display LCD enche-se de blocos pretos quando o teste de lâmpada inicia. Assim que se soltar a tecla de reconhecimento [RECONH] o número de revisão, o endereço do Barramento de Opções e o estado do bloqueio de tecla aparecem no display LCD durante 3 segundos. A seguir, os LEDs e o display LCD voltam ao modo de funcionamento normal (controlado pelo painel).

9.3 Operações do Teclado

Com o bloqueio de tecla na posição bloqueado, o usuário pode utilizar as teclas de rolagem somente para nevegação no display LCD e acionar a tecla de reconhecimento [RECONH]. Após uma pressão de tecla inválida, o display exibe "TECLA BLOQUEADA" durante 3 segundos. Consulte a *Tabela 7.1* na *Página 38* para a opção de desabilitar o bloqueio de tecla.

Com o bloqueio de tecla na posição desbloqueado ou o interruptor DIP configurado para desabilitar o bloqueio de tecla, o usuário pode operar qualquer uma das teclas do dispositivo.

Visualizar Estado

Sem alarmes ou falhas no sistema, a mensagem exibida é "SISTEMA NORMAL" ou "SISTEMA NORMAL DIA" juntamente com a data e hora atuais.

Durante a inicialização no start-up ou reconfiguração a tela indica "Inicializ. Sistema".

Em caso de reset, o painel mostra a tela "Resetando Sistema" até o sistema voltar à situação de supervisão normal.

Se a PAS ou o Pré-sinal estiverem ligados, a tela indica "SISTEMA NORMAL DIA".

Quaisquer situações fora do normal são apresentadas em grupos classificados como alarme de incêndio, alarme de gás, supervisão ou falha.

Utilize as teclas setas para visualizar eventos ou situações no mesmo grupo. As teclas para cima e para baixo levam o usuário para o evento anterior ou seguinte. As teclas para a esquerda e para a direita comutam para outros grupos.



NOTA!

Consulte o *Manual de Instalação e Operação do FPA-1000* (P/N F.01U.173.607) para obter informações sobre o display do sistema.

Reconhecido

Durante um alarme, pressionando a tecla de reconhecimento [RECONH] desliga a sirene piezelétrica que soa num indicador. Todos os eventos ou condições em curso são marcados como "Reconhecido". O temporizador de 24 horas de lembrete de falha inicia-se. Qualquer evento de falha que não seja eliminado em um período de 24 horas, será novamente enviado e a sirene piezelétrica começará a emitir novamente um alarme sonoro.

Se um ponto de entrada de incêndio configurado como "PAS ativado" (com PAS global ativado) for ativado, ao pressionar a tecla de reconhecimento [RECONH] dentro de 15 segundos, após a ativação de PAS, inicia-se o temporizador de investigação. Isto permite ao usuário investigar o alarme de incêndio ou efetuar outras ações adequadas até o temporizador expirar.

Uma operação de reconhecimento pode também ser iniciada através da ativação de um ponto de entrada configurado como reconhecer.

Silenciar

Pressionando a tecla silenciar executa todas as funções da operação de reconhecimento.

Quando a operação silenciar é iniciada, o painel entra em estado "Silenciado" e o LED "Silenciado" acende-se. As sirenes piezelétricas em todos os teclados e indicadores desligam-se. Todas as saídas são silenciadas no caso de estarem configuradas como "Silenciáveis". Os NACs reproduzem o pulso "Silenciado" para o padrão programado ou ficam completamente desenergizados, como definido pela opção global "Config Silenciar". Os estrobos continuam intermitentes.

Se programado, o painel transmite um reporte de silenciar à central de monitoramento.

Se o painel já estiver silenciado, pressionando [SILENCIAR] novamente resulta em um comando de não silenciar no painel. A operação de silenciar não reseta o estado de alarme e não retorna a entrada ativada para a operação normal. Qualquer novo alarme volta a ativar quaisquer saídas silenciadas.

Lembrete de Falha

Se quaisquer eventos não forem eliminados em 24 horas após ter sido pressionada a tecla [SILENCIAR] ou [RECONH], o painel volta a ativar a sirene piezelétrica e os eventos são novamente transmitidos à central de monitoramento.

Reset

Pressionando a tecla reset desliga a sirene piezelétrica e todas as saídas ativadas ou silenciadas. A operação de reset desliga a alimentação auxiliar AUX/RST por 5 segundos e ativa a zona de reset global. Todos os alarmes, supervisões e falhas causados pela ativação dos pontos SLC são eliminados. Em seguida, o painel tenta resetar todos os pontos que se encontrem em um estado fora do normal. Nem todas as situações de falha do sistema são afetadas pela operação de reset. Se programado, o painel transmite um reporte de reset à central de monitoramento.

Se existir um alarme ou falha após um reset, o sistema volta a alarmar.

Teste de evacuação

Para ativar a operação de teste de evacuação, a tecla [TEST EVAC] deve ser pressionada duas vezes para evitar uma ativação acidental. Se pressionar a tecla uma vez, o sistema solicitará confirmação. Se pressionar novamente a tecla [TEST EVAC], ligam-se todos os NACs habilitados e saídas de relé de teste de evacuação.

A operação de teste de evacuação pára se a tecla reset for pressionada ou é automaticamente cancelada se a operação tiver sido iniciada para um período programado. Um reset do sistema é executado automaticamente através da parada do teste de evacuação, de forma que o painel e todos os dispositivos de campo são restaurados para a sua operação normal.

Se programado, são transmitidos um reporte de início de teste de evacuação e um reporte de parada de teste de evacuação à central de monitoramento.

10

Resolução de Problemas

Display	LED	Piezelétrica	Descrição
NÃO PROGRAMADO	0,5 s ligado/ 0,5 s desligado	0,5 s a cada 10 s	Sem atividades de comunicação no endereço do dispositivo.

Display	LED	Piezelétrica	Descrição
SEM COMUNICAÇÃO	0,5 s ligado/ 0,5 s desligado	0,5 s a cada 10 s	Após 60 segundos sem atividades de comunicação em qualquer endereço de Barramento de Opções.
COMUNICAÇÃO OK	desligado	desligado	Comunicação no endereço do dispositivo; nenhum texto recebido até ao momento.

11 Especificações

11.1 Elétricas

Tensão de operação	Nominal 12 Vcc ou 24 Vcc/FWR
Consumo de corrente a 12 Vcc	
– Corrente em repouso	25 mA máximo (somente LED de Alimentação aceso)
– Corrente em alarme	150 mA máximo (com indicador aceso e sirene piezelétrica ligada)
Consumo de corrente a 24 Vcc/FWR	
– Corrente em repouso	30 mA máximo (somente LED de Alimentação aceso)
– Corrente em alarme	120 mA máximo (com indicador aceso e sirene piezelétrica ligada)

11.1.1 Especificações do Cabeamento

Entradas para cabos	3 orifícios para eletrodutos de 1/2 pol. de diâmetro, sendo um na traseira, um na parte inferior e um no topo
Conexões	2 conectores (4 terminais)
Bitola do cabo	12 a 18 AWG (3,25 mm ² a 0,75 mm ² de diâmetro)
Tipo de cabo	Cabo de quatro condutores, não blindado
Número máximo de indicadores por sistema	8 (FMR-1000-RA e/ou FMR-1000-RCMD)
Distância permitida entre o FACP e o indicador	610 m (2.000 pés)
Comprimento máximo do cabeamento do Barramento de Opções	1.219 m (4.000 pés), dependendo da bitola do cabo e dos dispositivos conectados

11.2 Mecânicas

Elementos de operação e display	
– 6 LEDs	Incêndio (vermelho), Alarme de Gás (azul), Alimentação (verde), Supervisório, Silenciado e Falha (3 x amarelo)

- LCD	display LCD de 4 linhas x 20 caracteres, com luz de fundo
- Teclas	Teclas para Teste de evacuação, Reset, Silenciado, Reconhecer [RECONH], 4 teclas setas
- Piezelétrica	Sirene piezelétrica integrada
Furos de instalação na caixa de base	2, com 5,5 pol. (140 mm) de espaçamento
Material da caixa	ABS-FR
Cor	Vermelho
Dimensões (L x A x P)	
- FMR-1000-RCMD	7,40 x 4,41 x 2,40 pol. (188 x 112 x 61 mm)
- Caixa de base	7,40 x 4,41 x 1,89 pol. (188 x 112 x 48 mm)
Peso	550 g (19,4 oz)

11.3 Condições Ambientais

Ambiente	Interno, seco
Temperatura de operação	0 °C a 49 °C (32 °F a 120 °F)
Temperatura de armazenamento	-20 °C a +60 °C (-4 °F a 140 °F)
Umidade relativa	Até 95 %, sem condensação
Classe de proteção em conformidade com a norma IEC 605029	IP 30

11.4 Marcas Registradas

Phillips é uma marca registrada da Phillips Screw Co.

Bosch Security Systems, Inc.

130 Perinton Parkway
Fairport, NY14450
USA

www.boschsecurity.us

© Bosch Security Systems, Inc., 2011

Free Manuals Download Website

<http://myh66.com>

<http://usermanuals.us>

<http://www.somanuals.com>

<http://www.4manuals.cc>

<http://www.manual-lib.com>

<http://www.404manual.com>

<http://www.luxmanual.com>

<http://aubethermostatmanual.com>

Golf course search by state

<http://golfingnear.com>

Email search by domain

<http://emailbydomain.com>

Auto manuals search

<http://auto.somanuals.com>

TV manuals search

<http://tv.somanuals.com>