

IMPORTANT:
Read Before Using

IMPORTANT :
Lire avant usage

IMPORTANTE:
Leer antes de usar

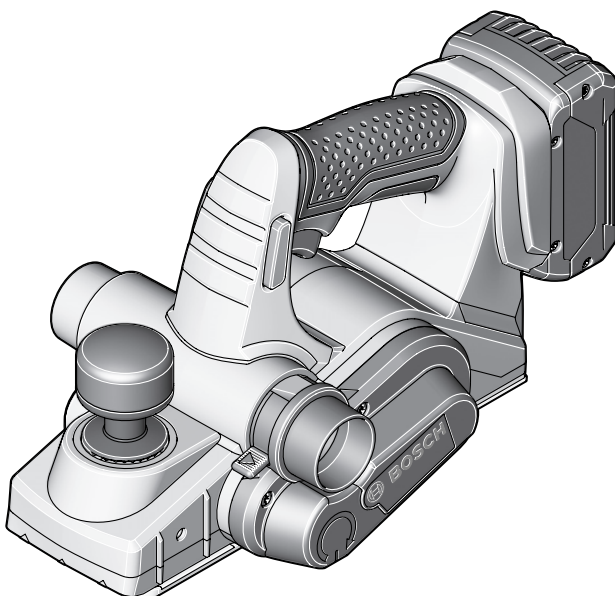


Operating/Safety Instructions

Consignes de fonctionnement/sécurité

Instrucciones de funcionamiento y seguridad

PLH181



BOSCH

Call Toll Free for
Consumer Information
& Service Locations

Pour obtenir des informations
et les adresses de nos centres
de service après-vente,
appelez ce numéro gratuit

Llame gratis para
obtener información
para el consumidor y
ubicaciones de servicio

1-877-BOSCH99 (1-877-267-2499) www.boschtools.com

For English Version
See page 2

Version française
Voir page 13

Versión en español
Ver la página 24

General Power Tool Safety Warnings



WARNING Read all safety warnings and all instructions. Failure to follow the warnings and instructions may result in electric shock, fire and/or serious injury.

SAVE ALL WARNINGS AND INSTRUCTIONS FOR FUTURE REFERENCE

The term "power tool" in the warnings refers to your mains-operated (corded) power tool or battery-operated (cordless) power tool.

Work area safety

Keep work area clean and well lit. Cluttered or dark areas invite accidents.

Do not operate power tools in explosive atmospheres, such as in the presence of flammable liquids, gases or dust. Power tools create sparks which may ignite the dust or fumes.

Keep children and bystanders away while operating a power tool. Distractions can cause you to lose control.

Electrical safety

Power tool plugs must match the outlet. Never modify the plug in any way. Do not use any adapter plugs with earthed (grounded) power tools. Unmodified plugs and matching outlets will reduce risk of electric shock.

Avoid body contact with earthed or grounded surfaces such as pipes, radiators, ranges and refrigerators. There is an increased risk of electric shock if your body is earthed or grounded.

Do not expose power tools to rain or wet conditions. Water entering a power tool will increase the risk of electric shock.

Do not abuse the cord. Never use the cord for carrying, pulling or unplugging the power tool. Keep cord away from heat, oil, sharp edges or moving parts. Damaged or entangled cords increase the risk of electric shock.

When operating a power tool outdoors, use an extension cord suitable for outdoor use. Use of a cord suitable for outdoor use reduces the risk of electric shock.

If operating a power tool in a damp location is unavoidable, use a Ground Fault Circuit Interrupter (GFCI) protected supply. Use of an GFCI reduces the risk of electric shock.

Personal safety

Stay alert, watch what you are doing and use common sense when operating a

power tool. Do not use a power tool while you are tired or under the influence of drugs, alcohol or medication. A moment of inattention while operating power tools may result in serious personal injury.

Use personal protective equipment. Always wear eye protection. Protective equipment such as dust mask, non-skid safety shoes, hard hat, or hearing protection used for appropriate conditions will reduce personal injuries.

Prevent unintentional starting. Ensure the switch is in the off-position before connecting to power source and / or battery pack, picking up or carrying the tool. Carrying power tools with your finger on the switch or energizing power tools that have the switch on invites accidents.

Remove any adjusting key or wrench before turning the power tool on. A wrench or a key left attached to a rotating part of the power tool may result in personal injury.

Do not overreach. Keep proper footing and balance at all times. This enables better control of the power tool in unexpected situations.

Dress properly. Do not wear loose clothing or jewelry. Keep your hair, clothing and gloves away from moving parts. Loose clothes, jewelry or long hair can be caught in moving parts.

If devices are provided for the connection of dust extraction and collection facilities, ensure these are connected and properly used. Use of dust collection can reduce dust-related hazards.

Power tool use and care

Do not force the power tool. Use the correct power tool for your application. The correct power tool will do the job better and safer at the rate for which it was designed.

Do not use the power tool if the switch does not turn it on and off. Any power tool that cannot be controlled with the switch is dangerous and must be repaired.

Disconnect the plug from the power source and/or the battery pack from the power tool before making any adjustments, changing accessories, or storing power tools. Such preventive safety measures reduce the risk of starting the power tool accidentally.

Store idle power tools out of the reach of children and do not allow persons unfamiliar with the power tool or these instructions to operate the power tool. Power tools are dangerous in the hands of untrained users.

Maintain power tools. Check for misalignment or binding of moving parts, breakage of parts and any other condition that may affect the power tool's operation. If damaged, have the power tool repaired before use. Many accidents are caused by poorly maintained power tools.

Keep cutting tools sharp and clean. Properly maintained cutting tools with sharp cutting edges are less likely to bind and are easier to control.

Use the power tool, accessories and tool bits etc. in accordance with these instructions, taking into account the working conditions and the work to be performed. Use of the power tool for operations different from those intended could result in a hazardous situation.

Battery tool use and care

Recharge only with the charger specified by the manufacturer. A charger that is suitable for one type of battery pack may create a risk of fire when used with another battery pack.

Use power tools only with specifically designated battery packs. Use of any other battery packs may create a risk of injury and fire.

When battery pack is not in use, keep it away from other metal objects like paper clips, coins, keys, nails, screws, or other small metal objects that can make a connection from one terminal to another. Shorting the battery terminals together may cause burns or a fire.

Under abusive conditions, liquid may be ejected from the battery, avoid contact. If contact accidentally occurs, flush with water. If liquid contacts eyes, additionally seek medical help. Liquid ejected from the battery may cause irritation or burns.

Service

Have your power tool serviced by a qualified repair person using only identical replacement parts. This will ensure that the safety of the power tool is maintained.

Safety Rules for Cordless Planers

Wait for the cutter to stop before setting the tool down. An exposed rotating cutter may engage the surface leading to possible loss of control and serious injury.

Use clamps or another practical way to secure and support the workpiece to a stable platform. Holding the work by hand or against your body leaves it unstable and may lead to loss of control.

Secure the material being planed. Never hold it in your hand or across legs. Small workpiece must be adequately secured so that the rotating planer blades will not pick it up during forward motion of the planer. Unstable support can cause the blades to bind causing loss of control and injury.

Always start the plane before blade is in contact with the workpiece and allow the blade to come to full speed. Tool can vibrate or chatter if blade speed is too slow at beginning of cut and possibly kickback.

Check the workpiece for nails, if there are nails, either remove or set them well below intended finished surface. If the planer blades strike objects like nails it may cause the tool to kickback and serious personal injury may result.

Disconnect battery pack from tool or place the switch in the locked or off position before making any assembly, adjustments or changing accessories. Such preventive safety measures reduce the risk of starting the tool accidentally.

After changing blades, rotate the blade cylinder (cutter drum) to make sure blades are not hitting any part of the blade head housing and the blade locking screws are tight. Spinning blades could strike tool housing and damage tool as well as possible injury.

Always hold the tool firmly with both hands. This provides maximum control for the operator.

Never pull the plane backward over the workpiece. Loss of control may occur.

Do not put fingers or any objects into the chip ejector or clean out chips while tool is running. Contact with blade drum will cause injury.

Disconnect battery pack from tool if it becomes necessary to remove chips. The blades are hidden from view and you may be cut if blade is contacted.

Additional Safety Warnings

GFCI and personal protection devices like electrician's rubber gloves and footwear will further enhance your personal safety.

Do not use AC only rated tools with a DC power supply. While the tool may appear to work, the electrical components of the AC rated tool are likely to fail and create a hazard to the operator.

Keep handles dry, clean and free from oil and grease. Slippery hands cannot safely control the power tool.

Develop a periodic maintenance schedule for your tool. When cleaning a tool be careful not to disassemble any portion of the tool since internal wires may be misplaced or pinched or safety guard return springs may be improperly mounted. Certain cleaning agents such as gasoline, carbon tetrachloride, ammonia, etc. may damage plastic parts.

Ensure the switch is in the off position before inserting battery pack. Inserting the

battery pack into power tools that have the switch on invites accidents.













⚠ WARNING Some dust created by power sanding, sawing, grinding, drilling, and other construction activities contains chemicals known to cause cancer, birth defects or other reproductive harm. Some examples of these chemicals are:

- Lead from lead-based paints,
- Crystalline silica from bricks and cement and other masonry products, and
- Arsenic and chromium from chemically-treated lumber.

Your risk from these exposures varies, depending on how often you do this type of work. To reduce your exposure to these chemicals: work in a well ventilated area, and work with approved safety equipment, such as those dust masks that are specially designed to filter out microscopic particles.

Symbols

IMPORTANT: Some of the following symbols may be used on your tool. Please study them and learn their meaning. Proper interpretation of these symbols will allow you to operate the tool better and safer.

Symbol	Name	Designation/Explanation
V	Volts	Voltage (potential)
A	Amperes	Current
Hz	Hertz	Frequency (cycles per second)
W	Watt	Power
kg	Kilograms	Weight
min	Minutes	Time
s	Seconds	Time
∅	Diameter	Size of drill bits, grinding wheels, etc.
n_0	No load speed	Rotational speed, at no load
n	Rated speed	Maximum attainable speed
.../min	Revolutions or reciprocation per minute	Revolutions, strokes, surface speed, orbits etc. per minute
0	Off position	Zero speed, zero torque...
1, 2, 3, ... I, II, III,	Selector settings	Speed, torque or position settings. Higher number means greater speed
	Infinitely variable selector with off	Speed is increasing from 0 setting
	Arrow	Action in the direction of arrow
	Alternating current	Type or a characteristic of current
	Direct current	Type or a characteristic of current
	Alternating or direct current	Type or a characteristic of current
	Class II construction	Designates Double Insulated Construction tools.
	Earthing terminal	Grounding terminal
	Warning symbol	Alerts user to warning messages
	Li-ion RBRC seal	Designates Li-ion battery recycling program
	Ni-Cad RBRC seal	Designates Ni-Cad battery recycling program
	Read manual symbol	Alerts user to read manual
	Wear eye protection symbol	Alerts user to wear eye protection

Symbols (continued)

IMPORTANT: Some of the following symbols may be used on your tool. Please study them and learn their meaning. Proper interpretation of these symbols will allow you to operate the tool better and safer.



This symbol designates that this tool is listed by Underwriters Laboratories.



This symbol designates that this component is recognized by Underwriters Laboratories.



This symbol designates that this tool is listed by Underwriters Laboratories, to United States and Canadian Standards.



This symbol designates that this tool is listed by the Canadian Standards Association.



This symbol designates that this tool is listed by the Canadian Standards Association, to United States and Canadian Standards.



This symbol designates that this tool is listed by the Intertek Testing Services, to United States and Canadian Standards.

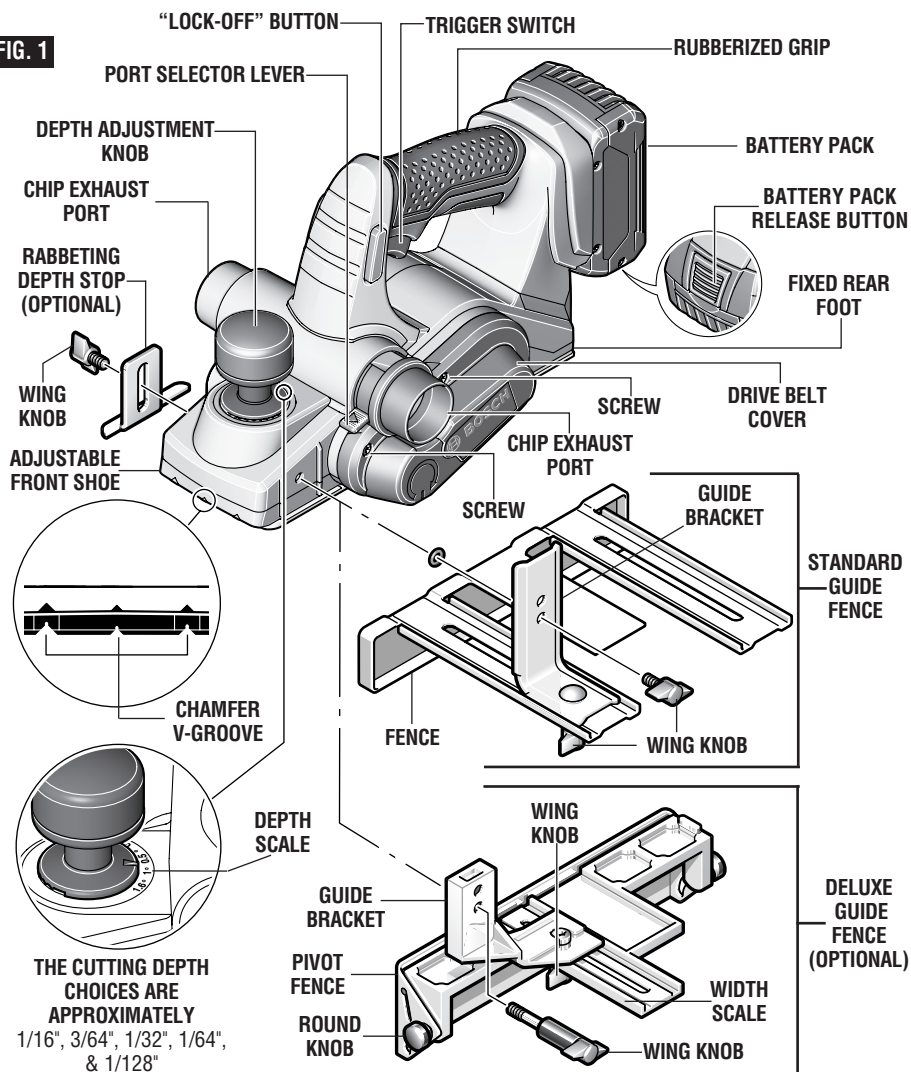


This symbol designates that this tool complies to NOM Mexican Standards.

Functional Description and Specifications

WARNING Disconnect battery pack from tool before making any assembly, adjustments or changing accessories. Such preventive safety measures reduce the risk of starting the tool accidentally.

FIG. 1



Model number PLH181
Voltage rating 18 V===
No load speed n₀ 14,000/min

Maximum Capacities
 Planing depth 0 - 1/16" (0 - 1.6mm)
 Rabbeting depth 0 - 5/16" (0 - 8mm)
 Cutting width 3-1/4" (82mm)

Battery Packs/Chargers

Please refer to the Charger Manual included with your tool.

NOTE: For tool specifications refer to the nameplate on your tool.

Assembly

CHIP EXTRACTION

The planer comes with two chip exhaust ports, which may be used with a chip bag or a shop vacuum and vacuum connector (Fig. 2) to keep your work environment cleaner. The chip bag or vacuum connector may be attached to either the left or right side of the exhaust port.

PLANER BLADES

⚠ WARNING The planer blades are sharp and fragile and must be handled carefully to avoid injury to the user or damage to the blades.

The planer blades have two cutting edges, and may be reversed when one of the cutting edges becomes dull or chipped.

Do not attempt to sharpen or use resharpened used blades of any kind. Use only blades designated for use with this model, because other blades will cause vibration, decrease performance and may not clamp securely in blade holder.

BLADE WRENCH & STORAGE AREA

When the battery pack has been removed from the tool, there is a blade wrench that is conveniently located inside the handle base where it is always handy and unlikely to get lost or misplaced (Fig. 3).

REVERSING OR REPLACING BLADES

To reverse or replace the blade, loosen the clamping screws with blade wrench. With the screws loosened, slide the blade lengthwise out of the cutter drum, taking care to keep your fingers away from the sharp edges of the blade (Fig. 4).

A piece of wood may be used for this purpose. If the blade is gummed and difficult to remove, you may clean the blade with mineral spirits, lacquer thinner or alcohol.

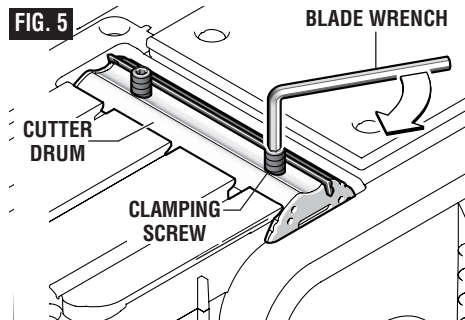
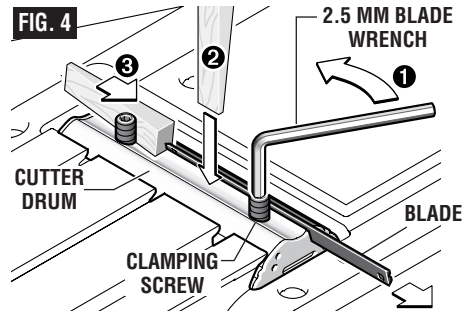
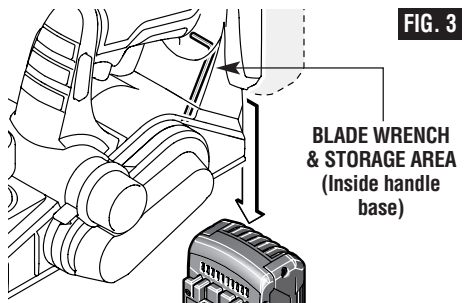
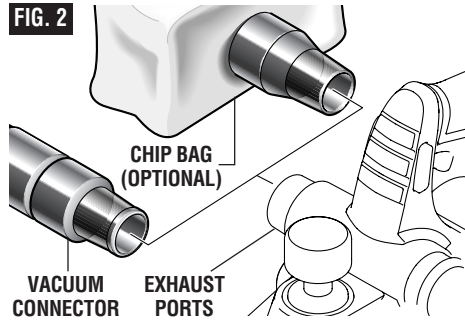
Clean all surfaces before reinstalling the new blade, as this will ensure an accurate blade setting and proper tool performance.

BLADE ALIGNMENT

The blade should be centered relative to the front and rear shoes. (Fig 5.) Rotate the blade drum by hand to verify sure that the blade doesn't touch to any other part of the tool.

Make sure the blade sits correctly in the holder groove of the cutter drum.

You may then tighten the clamping screws which secure the blade and your planer is ready for use.



ADJUSTING DEPTH OF CUT

Proper cutting depth should be determined according to the hardness, gumminess or moisture content of the material being cut, as well as the feed rate, and is largely a matter of experience. Start with a light cut and increase the depth setting if the planer moves freely through the workpiece with no excessive load on the motor. Do not change depth of cut while planing.

The cutting depth is determined by the difference in height between the adjustable front shoe, and the fixed rear shoe of the planer. As the front shoe is adjusted, it retracts and exposes the blade, which can then

remove the desired amount from the workpiece. The cutting depth is graduated from 0 to 1/16 of an inch, and the "0" indicates the blade is fully retracted.

Adjusting depth of cut: Rotate depth adjustment knob until the indicator engages the detent which indicates the desired cutting depth on the depth scale (Fig. 1).

The planer may be set to cut any depth from 0 to 1/16 of an inch.

PORT SELECTOR LEVER

Moving the port selector lever to position 1 (towards front of tool) discharges chips to the left, while position 2 (towards rear of tool) discharges chips to the right (Fig. 1)

Operating Instructions

TRIGGER "ON/OFF" SWITCH

⚠ WARNING Hold the tool with both hands while starting the tool, since torque from the motor can cause the tool to twist.

To turn tool "ON", depress the "Lock-OFF" button and squeeze the trigger switch. To turn the tool "OFF", release the trigger switch which is spring loaded and will return to "OFF" position automatically.

To increase switch life, do not turn switch on and off while tool and drum are held against a workpiece.

BRAKE

When the trigger is released it activates the electrical brake to stop the blade quickly. This feature is especially useful when making repetitive cuts.

PLANING ACTION

Check that the workpiece is held in place securely on your work surface. Stand comfortably, hold the planer firmly with both hands. With the planer fully adjusted, place the front shoe on the workpiece, (be certain that the cutter drum is not in contact with the work) and start the planer. With pressure on the front shoe, and the fence against the side of the work (to control the width or angle) feed the planer steadily until the rear shoe fully engages the workpiece. Gradually transfer pressure to the rear shoe and continue planing to the end of the cut. Feed the planer at a uniform and reasonable rate, which does not put excessive strain on the motor or blades.

Do not pull the planer back over the surface already cut. Use progressive cuts until you are

near the desired depth, and then re-adjust to a light cut for the final pass to obtain a good surface finish.

⚠ CAUTION The motor may stall if improperly used or overloaded. Reduce the pressure (feed rate) or depth of cut to prevent possible damage to the tool if the motor labors.

STANDARD GUIDE FENCE

The guide fence can be used to control the width of the cut or for simply providing added stability and protection when cutting materials that are up to 3-1/4" wide.

Note: When used for rabbeting, the fence must be attached to the left side of the tool. (Fig. 1).

Installing the guide fence: Place the wing knob through the appropriate hole in the guide bracket and screw into preferred side of the housing. Securely tighten wing knob. Setting the cutting width: Place wing knob through the appropriate fence arm and slide along the guide bracket to the desired position. Securely tighten wing knob. Be certain that the flat washer (supplied) is fitted between the bottom of the guide fence and wing knob or the guide fence is likely to slip.

DELUXE GUIDE FENCE

The deluxe guide fence can be used to control the width of the cut or for simply providing added stability and protection when cutting materials that are up to 3-1/4" wide, with the additional capability of guiding the planer on any angle up to 45 degrees, to allow edge chamfering and beveling (Fig. 7).

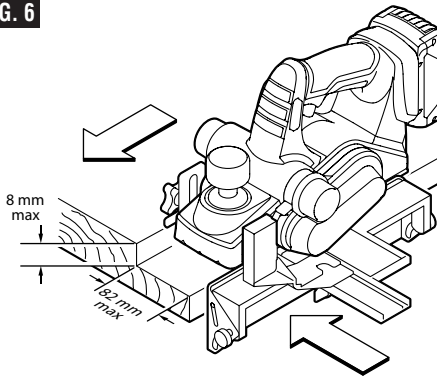
Note: The deluxe fence must be attached to the left side of the tool. (Fig. 1).

Installing the deluxe guide fence: Place the wing knob through the appropriate hole in the guide bracket and screw into left side of the housing. Securely tighten wing knob. **Setting the cutting width:** Place wing knob through the left fence arm and slide along the guide bracket to the desired position. Securely tighten wing knob. Be certain that the flat washer (supplied) is fitted between the bottom of the guide fence and wing knob or the guide fence is likely to slip.

Setting the cutting width: Loosen wing knob and using the width scale, slide the fence along the guide bracket to the desired position. Securely tighten wing knob (Fig. 1).

Setting the cutting angle: Loosen round knobs and pivot the fence to the desired position. Securely tighten round knobs (Fig. 1).

FIG. 6



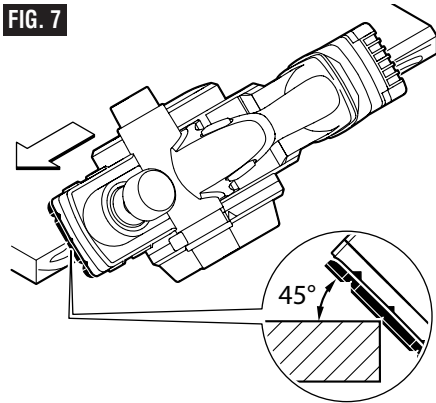
Note that the adjustable front shoe contains a chamfer V-groove, which will follow the corner of a workpiece to allow easier handling when using the deluxe angle/width fence (Fig. 7).

RABBETING DEPTH STOP

The optional rabbeting depth stop accessory (Fig. 1) allows the user to set any rabbeting depth from 0 to 5/16 inch. For best results, it is important that the blade be properly aligned (See "BLADE ALIGNMENT"). The width of the rabbet is controlled by the width fence. The maximum cutting width is 3-1/4", and the final depth is achieved by repetitive cutting until the rabbeting depth guide contacts the workpiece. The maximum rabbeting depth is 5/16"

Setting the rabbet depth: Loosen wing knob and using the depth scale on the rabbeting depth stop, set the desired rabbet depth. Securely tighten wing knob.

FIG. 7

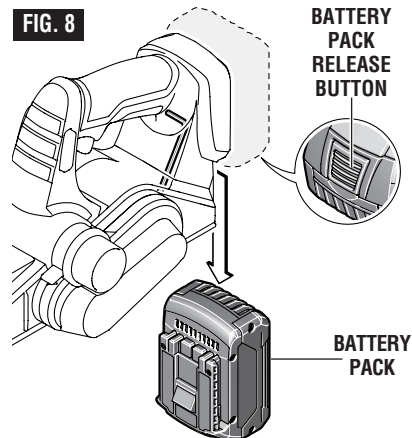


INSERTING AND RELEASING BATTERY PACK

To insert battery, slide charged battery pack into the housing until the battery pack locks into position.

To remove the battery pack, press the battery pack release button and slide the battery pack forward (Fig. 8).

FIG. 8



Maintenance

Service

WARNING **NO USER SERVICEABLE PARTS INSIDE.** Preventive maintenance performed by unauthorized personnel may result in misplacing of internal wires and components which could cause serious hazard. We recommend that all tool service be performed by a Bosch Factory Service Center or Authorized Bosch Service Station. **SERVICEMEN:** Disconnect tool and/or charger from power source before servicing.

BATTERIES

Be alert for battery packs that are nearing their end of life. If you notice decreased tool performance or significantly shorter running time between charges then it is time to replace the battery pack. Failure to do so can cause the tool to operate improperly or damage the charger.

TOOL LUBRICATION

Your Bosch tool has been properly lubricated and is ready for use.

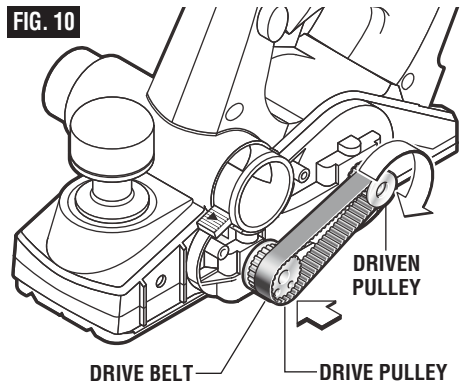
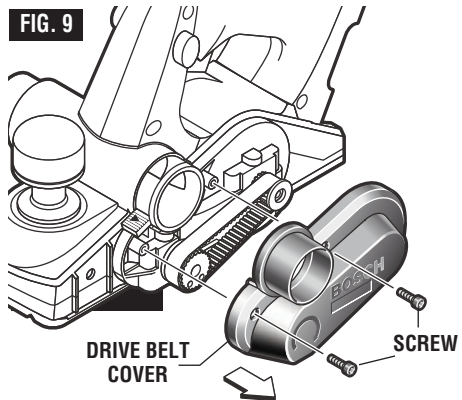
D.C. MOTORS

The motor in your tool has been engineered for many hours of dependable service. To maintain peak efficiency of the motor, we recommend it be examined every six months. Only a genuine Bosch replacement motor specially designed for your tool should be used.

DRIVE BELT

The drive belt is a normal maintenance part and should be inspected periodically for wear. If the drive belt shows signs of drying out, cracking or tearing, it should be replaced. If the drive belt will not track properly or comes off the pulleys, it should be replaced.

Installing new drive belt: Loosen screws and remove the drive belt cover (Fig. 9). Cut and remove the worn drive belt. Before installing the new drive belt, clean both pulleys thoroughly. First place the new drive belt onto the drive pulley then rotate clockwise while pushing the belt onto the driven pulley. Reinstall the drive belt cover and securely tighten screws (Fig. 10).



Cleaning

WARNING To avoid accidents, always disconnect the tool and/or charger from the power supply before cleaning. The tool may be cleaned most effectively with compressed dry air. **Always wear safety goggles when cleaning tools with compressed air.**

Ventilation openings and switch levers must be kept clean and free of foreign matter. Do not attempt to clean by inserting pointed objects through opening.

CAUTION Certain cleaning agents and solvents damage plastic parts. Some of these are: gasoline, carbon tetrachloride, chlorinated cleaning solvents, ammonia and household detergents that contain ammonia.

Accessories

(* = standard equipment)

(** = optional accessories)

* Standard guide fence

** Deluxe guide fence

** Rabbeting depth stop

* Blade wrench 2.5mm

* Carbide reversible blade (1)

** Vacuum connector

** Vacuum hose

** Chip bag

** BC330 Charger

** BC660 Charger

** Li-ion Battery Packs

** 1 hour charger

Avertissements généraux concernant la sécurité des outils électroportatifs

AVERTISSEMENT

Veillez lire tous les avertissements et toutes les consignes de sécurité. Si l'on n'observe pas ces avertissements et ces consignes de sécurité, il existe un risque de choc électrique, d'incendie et/ou de blessures corporelles graves.

CONSERVEZ TOUS LES AVERTISSEMENTS ET TOUTES LES CONSIGNES DE SÉCURITÉ POUR RÉFÉRENCE FUTURE.

Dans les avertissements, le terme « outil électroportatif » se rapporte à votre outil branché sur le secteur (avec fil) ou à votre outil alimenté par piles (sans fil).

Sécurité du lieu de travail

Maintenez le lieu de travail propre et bien éclairé. Les risques d'accident sont plus élevés quand on travaille dans un endroit encombré ou sombre.

N'utilisez pas d'outils électroportatifs dans des atmosphères explosives, comme par exemple en présence de gaz, de poussières ou de liquides inflammables. Les outils électroportatifs produisent des étincelles qui risquent d'enflammer les poussières ou les vapeurs.

Éloignez les enfants et les visiteurs quand vous servez d'un outil électroportatif. Vous risquez une perte de contrôle si on vous distrait.

Sécurité électrique

Les fiches des outils électroportatifs doivent correspondre à la prise. Il ne faut absolument jamais modifier la fiche. N'utilisez pas d'adaptateur de prise avec des outils électroportatifs munis d'une fiche de terre. Le risque de choc électrique est moindre si on utilise une fiche non modifiée sur une prise qui lui correspond.

Évitez tout contact du corps avec des surfaces reliées à la terre tels que tuyaux, radiateurs, gazinières ou réfrigérateurs. Le risque de choc électrique augmente si votre corps est relié à la terre.

N'exposez pas les outils électroportatifs à la pluie ou à l'humidité. Si de l'eau pénètre dans un outil électroportatif, le risque de choc électrique augmente.

Ne maltraitez pas le cordon. Ne vous en servez jamais pour transporter l'outil électroportatif, pour le tirer ou pour le débrancher. Éloignez le cordon de la chaleur, des huiles, des arêtes coupantes ou des pièces mobiles. Les cordons abîmés ou emmêlés augmentent les risques de choc électrique.

Si vous utilisez un outil électroportatif à l'extérieur, employez une rallonge conçue pour l'extérieur. Ces rallonges sont faites pour l'extérieur et réduisent le risque de choc électrique.

S'il est absolument nécessaire d'utiliser l'outil électroportatif dans un endroit humide, utilisez une alimentation protégée par un disjoncteur de fuite de terre (GFCI). L'utilisation d'un disjoncteur GFCI réduit les risques de choc électrique.

Sécurité personnelle

Restez concentré, faites attention à ce que vous faites, et servez-vous de votre bon sens lorsque vous utilisez un outil électroportatif. N'employez pas d'outils électroportatifs quand vous êtes fatigué ou sous l'emprise de drogues, d'alcool ou de médicaments. Quand on utilise des outils électroportatifs, il suffit d'un moment d'inattention pour causer des blessures corporelles graves.

Utilisez des équipements de sécurité personnelle. Portez toujours une protection oculaire. Le port d'équipements de sécurité tels que des masques antipoussières, des chaussures de sécurité antidérapantes, des casques de chantier et des protecteurs d'oreilles dans des conditions appropriées réduira le risque de blessure corporelle.

Évitez les démarrages intempestifs. Assurez-vous que l'interrupteur est dans la position arrêt (Off) avant de brancher l'outil dans une prise de courant et/ou un bloc-piles, de le ramasser ou de le transporter. Le transport d'un outil électroportatif avec le doigt sur la gâchette ou le branchement de cet outil quand l'interrupteur est en position de marche (ON) est une invite aux accidents.

Enlevez toutes les clés de réglage avant de mettre l'outil électroportatif en marche. Si on laisse une clé sur une pièce tournante de l'outil électroportatif, il y a un risque de blessure corporelle.

Ne vous penchez pas. Conservez toujours une bonne assise et un bon équilibre. Ceci vous permettra de mieux maîtriser l'outil électroportatif dans des situations inattendues.

Habillez-vous de manière appropriée. Ne portez pas de vêtements amples ou de bijoux. Attachez les cheveux longs. N'approchez pas les cheveux, les vêtements ou les gants des pièces en mouvement. Les vêtements amples, les bijoux ou les cheveux longs risquent d'être happés par les pièces en mouvement.

Si l'outil est muni de dispositifs permettant le raccordement d'un système d'aspiration et de collecte des poussières, assurez-vous que ces dispositifs sont raccordés et utilisés correctement. L'utilisation d'un dépoussiéreur peut réduire les dangers associés à l'accumulation de poussière.

Utilisation et entretien des outils électroportatifs

Ne forcez pas sur l'outil électroportatif. Utilisez l'outil électroportatif qui convient à la tâche à effectuer. L'outil qui convient à la tâche fait un meilleur travail et est plus sûr à la vitesse pour lequel il a été conçu.

Ne vous servez pas de l'outil électroportatif si son interrupteur ne parvient pas à le mettre en marche ou à l'arrêter. Tout outil électroportatif qui ne peut pas être commandé par son interrupteur est dangereux et doit être réparé.

Débranchez la fiche de la prise ou enlevez le bloc-pile de l'outil électroportatif avant tout réglage, changement d'accessoires ou avant de ranger l'outil électroportatif. De telles mesures de sécurité préventive réduisent le risque de démarrage intempestif de l'outil électroportatif.

Rangez les outils électroportatifs dont vous ne vous servez pas hors de portée des enfants et ne permettez pas à des personnes qui ne connaissent pas l'outil électroportatif ou qui ignorent ces consignes de s'en servir. Les outils électroportatifs sont dangereux dans les mains d'utilisateurs inexpérimentés.

Entretenez les outils électroportatifs. Vérifiez que les pièces mobiles sont alignées correctement et ne coïncident pas. Vérifiez qu'il n'y a pas de pièces cassées ou d'autre circonstance qui risquent d'affecter le fonctionnement de l'outil électroportatif. Si l'outil est abîmé, faites-le réparer avant de l'utiliser. De nombreux accidents sont causés par des outils électroportatifs mal entretenus.

Maintenez les outils coupants affûtés et propres. Les outils coupants entretenus correctement et dotés de bords tranchants affûtés sont moins susceptibles de coincer et sont plus faciles à maîtriser.

Utilisez l'outil électroportatif, les accessoires et les embouts d'outil, etc. conformément à ces instructions, en tenant compte des conditions de travail et des travaux à réaliser. L'emploi d'outils électroportatifs pour des tâches différentes de celles pour lesquelles ils ont été prévus peut résulter en une situation dangereuse.

Utilisation et entretien des outils à piles

Rechargez les piles uniquement avec le chargeur spécifié par le fabricant. Un chargeur qui convient à un type de bloc-piles peut entraîner un risque d'incendie quand il est utilisé avec un autre bloc-piles.

Utilisez des outils électroportatifs uniquement avec les bloc-piles spécifiquement désignés pour eux. L'utilisation de tout autre bloc-piles peut créer un risque de blessures et d'incendie.

Lorsque le bloc-piles n'est pas utilisé, gardez-le à distances d'autres objets métalliques tels que des trombones, des pièces de monnaie, des clés, des clous, des vis ou de tout autre objet métallique pouvant faire une connexion entre une borne et une autre. Court-circuiter les bornes des piles peut causer des brûlures ou un incendie.

Dans des conditions abusives, du liquide peut être éjecté de la pile ; dans un tel cas, évitez tout contact avec ce liquide. Si un contact se produit accidentellement, rincez avec de l'eau. Si le liquide entre en contact avec les yeux, consultez un médecin. Du liquide éjecté de la pile peut causer des irritations ou des brûlures.

Entretien

Faites réparer votre outil électroportatif par un agent de service qualifié n'utilisant que des pièces de rechange identiques. Ceci assure que la sécurité de l'outil électroportatif est préservée.

Consignes de sécurité pour les rabots sans fil

Attendez que le couteau se soit arrêté pour poser l'outil. Un couteau exposé pourrait entrer en contact avec la surface, faire perdre le contrôle et causer une blessure grave.

Utilisez des brides ou d'autres moyens pratiques de brider ou de supporter la pièce sur une plate-forme stable. Tenir la pièce à la main ou contre le corps est instable et risque de résulter en une perte de contrôle.

Fixez la pièce à raboter. Ne la tenez jamais à la main et ne la posez jamais sur vos genoux. Les petites pièces doivent être correctement bridées pour les empêcher d'être happées par la rotation des fers du rabot quand on pousse celui-ci vers l'avant. Si le support est instable, les fers risquent de coincer et de causer une perte de contrôle et des blessures.

Démarrez toujours le rabot et laissez-le monter en régime avant de mettre le fer en contact avec la pièce. L'outil risque de vibrer ou de sursauter si la

vitesse du fer est trop faible quand on commence le rabotage et il risque de reculer brutalement.

Vérifiez que la pièce est exempte de clous. S'il y a des clous, enlevez-les ou chassez-les bien en dessous de la dimension souhaitée pour la surface terminée. Si les fers du rabot rencontrent des objets tels que des clous, l'outil risque de reculer brutalement et de causer des blessures corporelles graves.

Débranchez le bloc-pile de l'outil ou placez l'interrupteur à la position de blocage ou d'arrêt avant d'effectuer tout assemblage ou réglage ou de changer les accessoires. Ces mesures de sécurité préventives réduisent le risque d'une mise en marche accidentelle de l'outil.

Après avoir changé les fers, faites tourner le cylindre porte-fers (tambour) pour vérifier que les fers ne touchent aucune partie du carter et que les

vis de blocage des fers sont serrées. Les fers en rotation risquent de heurter le carter de l'outil et d'abîmer celui-ci. Ils risquent aussi de causer des blessures.

Tenez toujours l'outil fermement à deux mains pour mieux le maîtriser.

Ne tirez jamais le rabot vers l'arrière sur la surface de la pièce. Vous risquez d'en perdre le contrôle.

Ne mettez pas les doigts ou tout autre objet dans la buse d'évacuation des copeaux. Ne dégagez jamais les copeaux avec l'outil en marche. Vous vous blesseriez si vous touchiez le tambour porte-fers.

Débranchez le bloc-pile de l'outil s'il devenait nécessaire de dégager les copeaux. Les fers sont cachés et ils risquent de vous couper si vous les touchez.

Avertissements supplémentaires concernant la sécurité

L'emploi d'un GFCI et de dispositifs de protection personnelle tels que gants et chaussures d'électricien en caoutchouc améliorent votre sécurité personnelle.

N'utilisez pas un outil conçu uniquement pour le C.A. sur une alimentation en C.C. Même si l'outil semble fonctionner, les composants électriques d'un outil prévu pour le C.A. tomberont probablement en panne et risquent de créer un danger pour l'utilisateur.

Maintenez les poignées sèches et exemptes d'huile et de graisse. On ne peut pas maîtriser un outil électroportatif en toute sécurité quand on a les mains glissantes.

Créez un agenda d'entretien périodique pour votre outil. Quand vous nettoyez un outil, faites attention de n'en démonter aucune pièce car il est toujours possible de mal remonter ou de pincer les fils internes ou de remonter incorrectement les ressorts de rappel des capots de protection. Certains agents de nettoyage tels que l'essence, le tétrachlorure de carbone, l'ammoniaque, etc. risquent d'abîmer les plastiques.

Veillez à ce que l'interrupteur soit dans la position de fermeture avant d'insérer le bloc-piles. L'insertion d'un bloc-piles dans un outil électroportatif dont

l'interrupteur est dans la position de marche est une invite aux accidents.




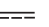








⚠ AVERTISSEMENT Les travaux à la machine tel que ponçage, sciage, meulage, perçage et autres travaux du bâtiment peuvent créer des poussières contenant des produits chimiques qui sont des causes reconnues de cancer, de malformation congénitale ou d'autres problèmes reproductifs. Ces produits chimiques sont, par exemple :

- Le plomb provenant des peintures à base de plomb,
- Les cristaux de silices provenant des briques et du ciment et d'autres produits de maçonnerie, et
- L'arsenic et le chrome provenant des bois traités chimiquement.

Le niveau de risque dû à cette exposition varie avec la fréquence de ces types de travaux. Pour réduire l'exposition à ces produits chimiques, il faut travailler dans un lieu bien ventilé et porter un équipement de sécurité approprié tel que certains masques à poussière conçus spécialement pour filtrer les particules microscopiques.

Symboles

IMPORTANT : Certains des symboles suivants peuvent être utilisés sur votre outil. Veuillez les étudier et apprendre leur signification. Une interprétation appropriée de ces symboles vous permettra d'utiliser l'outil de façon plus efficace et plus sûre.

Symbole	Nom	Désignation/Explication
V	Volts	Tension (potentielle)
A	Ampères	Courant
Hz	Hertz	Fréquence (cycles par seconde)
W	Watt	Puissance
kg	Kilogrammes	Poids
min	Minutes	Temps
s	Secondes	Temps
∅	Diamètre	Taille des mèches de perceuse, meules, etc.
n_0	Vitesse à vide	Vitesse de rotation, à vide
n	Vitesse nominale	Vitesse maximum pouvant être atteinte
.../min	Tours ou mouvement alternatif par minute	Tours, coups, vitesse en surface, orbites, etc., par minute
0	Position d'arrêt	Vitesse zéro, couple zéro ...
1, 2, 3, ... I, II, III, ...	Réglages du sélecteur	Réglages de vitesse, de couple ou de position. Un nombre plus élevé signifie une vitesse plus grande
	Sélecteur variable à l'infini avec arrêt	La vitesse augmente depuis le réglage 0
	Flèche	Action dans la direction de la flèche
	Courant alternatif	Type ou caractéristique du courant
	Courant continu	Type ou caractéristique du courant
	Courant alternatif ou continu	Type ou caractéristique du courant
	Construction classe II	Désigne des outils construits avec double isolation
	Borne de terre	Borne de mise à la terre
	Symbole d'avertissement	Alerte l'utilisateur aux messages d'avertissement.
	Sceau Li-ion RBRC	Désigne le programme de recyclage des piles Li-ion.
	Sceau Ni-Cad RBRC	Désigne le programme de recyclage des piles Ni-Cad.
	Symbole de lecture du mode d'emploi d'emploi	Alerte l'utilisateur pour lire le mode
	Symbole de port de lunettes de sécurité de sécurité	Alerte l'utilisateur pour porter des lunettes

Symboles (suite)

IMPORTANT : Certains des symboles suivants peuvent être utilisés sur votre outil. Veuillez les étudier et apprendre leur signification. Une interprétation appropriée de ces symboles vous permettra d'utiliser l'outil de façon plus efficace et plus sûre.



Ce symbole signifie que cet outil est approuvé par Underwriters Laboratories.



Ce symbole indique que ce composant est reconnu par Underwriters Laboratories.



Ce symbole signifie que cet outil est approuvé par Underwriters Laboratories selon les normes des États-Unis et du Canada.



Ce symbole signifie que cet outil est approuvé par l'Association canadienne de normalisation.



Ce symbole signifie que cet outil est approuvé par l'Association canadienne de normalisation selon les normes des États-Unis et du Canada.



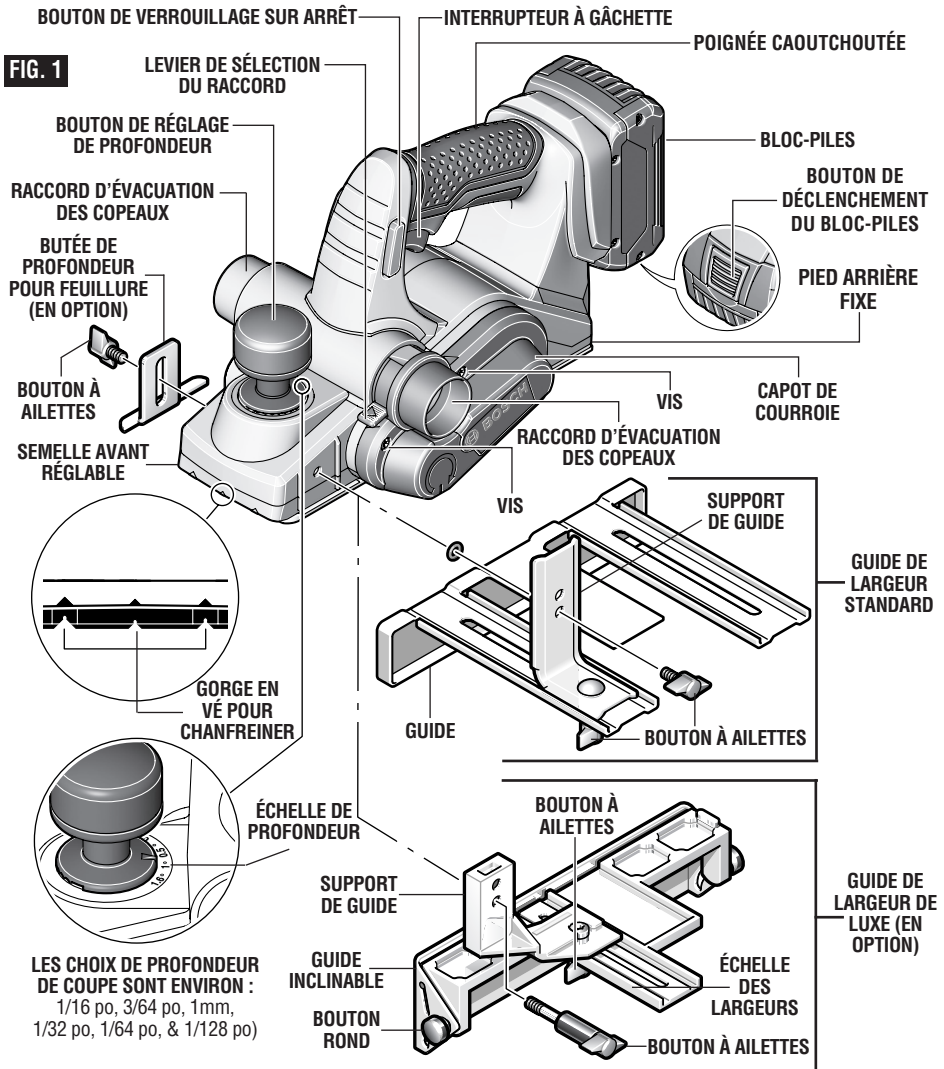
Ce symbole signifie que cet outil est approuvé par Intertek Testing Services selon les normes des États-Unis et du Canada.



Ce symbole signifie que cet outil se conforme aux normes mexicaines NOM.

Description fonctionnelle et spécifications

AVERTISSEMENT Débranchez le bloc-pile de l'outil ou placez l'interrupteur à la position de blocage ou d'arrêt avant d'effectuer tout assemblage ou réglage ou de changer les accessoires. Ces mesures de sécurité préventives réduisent le risque d'une mise en marche accidentelle de l'outil.



Numéro de modèle

PLH181

Tension nominale

18 V ===

Régime à vide

n_0 14 000/min

Capacidades máximas

Profundidad de acepillad 0 - 1/16" (0 - 1,6 mm)

Profundidad de rebajado 0 - 5/16" (0 - 8 mm)

Anchura de corte 3-1/4" (82 mm)

Bloc-piles/chargeurs

Veillez vous reporter au mode d'emploi de votre pile / chargeur qui accompagne votre outil.

REMARQUE : Pour spécifications de l'outil, reportez-vous à la plaque signalétique de votre outil.

Assemblage

ÉVACUATION DES COPEAUX

Le rabot est muni de deux raccords d'évacuation de copeaux sur lesquels on peut brancher soit un sac à copeaux soit un aspirateur d'atelier avec un raccord d'aspiration (Fig. 2) pour améliorer la propreté de votre environnement de travail. Le sac à copeaux ou le raccord d'aspiration peut être branché sur l'un ou l'autre des raccords d'évacuation.

FERS DE RABOT

AVERTISSEMENT Les fers de rabot sont coupants et fragiles. Ils doivent être manipulés avec soin pour éviter de se blesser ou de les abîmer.

Les fers ont deux bords tranchants et ils peuvent être retournés quand un des tranchants est émoussé ou ébréché.

N'essayez pas d'affûter les fers ou d'utiliser des fers ré-affûtés quels qu'ils soient. N'utilisez que des fers conçus pour ce modèle. Toute autre fer risque de causer des vibrations, de réduire la performance de la machine ou d'être mal serrée dans le fer-lame.

CLÉ À FER ET CASE DE RANGEMENT

Lorsque le bloc-piles a été retiré de l'outil, il existe une clé à fer qui est placée de façon pratique à l'intérieur de la base de la poignée où elle est toujours disponible et ne risque pas d'être perdue ou égarée (Fig. 3).

RETOURNEMENT OU REMPLACEMENT DES FERS

Pour retourner ou remplacer le fer, desserrer les vis de blocage à l'aide de la clé à fers. Une fois les vis desserrées, faites glisser le fer dans le sens axial pour le sortir du tambour en faisant bien attention d'éloigner les doigts des bords tranchants du fer (Fig. 4).

Vous pouvez utiliser un morceau de bois pour cette opération. Si le fer est encrassé et difficile à enlever, vous pouvez le nettoyer avec du solvant, du diluant à vernis ou de l'alcool.

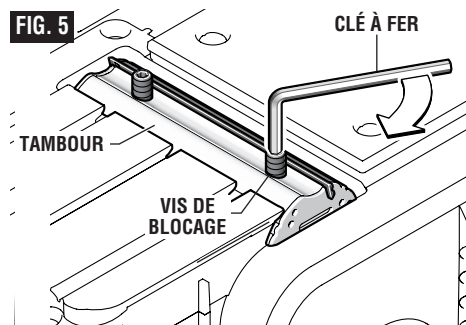
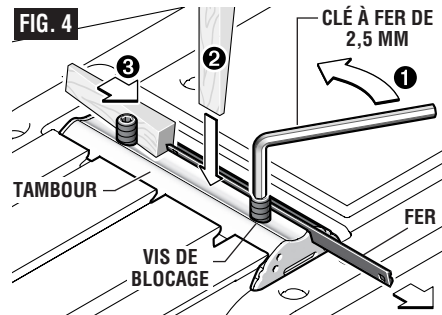
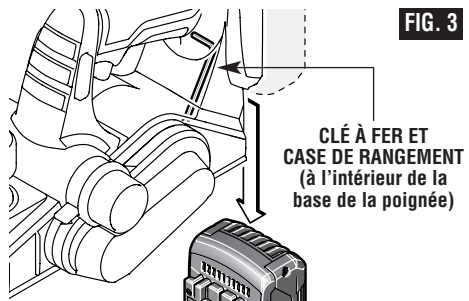
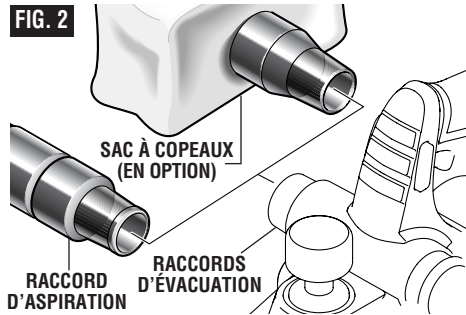
Nettoyez toutes les surfaces avant de monter le fer neuf. Cela assurera qu'il est positionné précisément et permettra à l'outil de fonctionner correctement.

ALIGNEMENT DU FER

Le fer doit être centré par rapport aux semelles de l'avant et de l'arrière (Fig. 5). Faites tourner le tambour à la main pour vous assurer que le fer n'est pas en contact avec une quelconque autre partie de l'outil.

Assurez-vous que le fer est bien en place dans la fente du tambour.

Vous pouvez alors serrer les vis de blocage qui assujettissent le fer. Votre rabot est désormais prêt à l'emploi.



RÉGLAGE DE LA PROFONDEUR DE COUPE

La profondeur de coupe correcte dépend de la dureté du matériau, de son aspect gommeux et de son taux d'humidité aussi bien que de la vitesse d'avance. Sa détermination requiert de l'expérience. Commencez avec une profondeur faible et augmentez-la si le rabot se déplace facilement sur la pièce sans sollicitation excessive du moteur. Ne changez pas la profondeur de coupe pendant le rabotage.

La profondeur de coupe est déterminée par la différence de hauteur entre la semelle avant réglable et la semelle arrière fixe. Quand on règle la semelle avant, elle se rétracte et fait apparaître le fer, qui peut alors raboter la profondeur désirée sur la pièce. La

profondeur de coupe est graduée de 0 à 1/16 po, avec '0' indiquant que le fer est complètement rentré.

Réglage de la profondeur de coupe : Faites tourner le bouton de réglage de la profondeur jusqu'à ce que l'index s'enclenche dans le cran, ce qui indique la profondeur de coupe désirée sur le cadran de profondeur (Fig. 1).

Le rabot peut être réglé pour n'importe quelle profondeur de coupe entre 0 et 1/16 po.

LEVIER DE SÉLECTION DU RACCORD

Quand le levier de sélection du raccord est en position 1, (vers l'avant de l'outil), les copeaux sont évacués à gauche. En position 2 (vers l'arrière de l'outil), les copeaux sont évacués à droite (Fig. 1).

Consignes de fonctionnement

INTERRUPTEUR MARCHÉ/ARRÊT À GÂCHETTE

AVERTISSEMENT Tenez l'outil à deux mains quand vous le démarrez car le couple du moteur risque de le faire pivoter.

Pour mettre l'outil en marche, enfoncez le bouton de verrouillage sur arrêt et appuyez sur l'interrupteur à gâchette. Pour arrêter l'outil, lâchez la gâchette. Elle est rappelée par ressort et reviendra automatiquement à la position arrêt.

Pour allonger la durée de vie de l'interrupteur, ne démarrez pas l'outil ou ne l'arrêtez pas quand celui-ci ou le tambour est appuyé contre la pièce à raboter.

FREIN

Quand on relâche la gâchette, le frein est actionné et arrête rapidement la lame. Cette caractéristique est des plus utiles lors de sciages à répétition.

RABOTAGE

Vérifiez que la pièce est bien fixée sur votre surface de travail. Placez-vous debout dans une position confortable et saisissez le rabot fermement avec les deux mains. Avec le rabot bien réglé, posez la semelle avant sur la pièce (en s'assurant que la tambour ne touche pas la pièce) et démarrez le rabot comme décrit précédemment. Tout en maintenant la pression sur la semelle avant et avec le guide contre le côté de la pièce (pour obtenir la largeur ou l'angle de coupe désiré), faire avancer le rabot régulièrement jusqu'à ce que la semelle arrière repose complètement sur la pièce. Transférez alors graduellement la pression vers la semelle arrière et continuez à raboter jusqu'à la fin de la passe. Faites avancer le rabot à une vitesse régulière et raisonnable pour ne pas placer de contraintes excessives sur le moteur ou les fers, (ne faites pas avancer le rabot en la mauvaise direction). Faites des passes progressives jusqu'à ce que vous soyez près de la profondeur finale. Réglez alors le rabot pour une profondeur de coupe faible qui vous

permettra d'obtenir un meilleur fini lors de la dernière passe.

MISE EN GARDE Il se peut que le moteur cale en cas d'usage incorrect ou de surcharge. Réduire la pression (vitesse d'avance) ou la profondeur de coupe pour éviter d'abîmer l'outil quand le moteur peine.

GUIDE DE LARGEUR STANDARD

Le guide de largeur peut être utilisé pour contrôler la largeur de la coupe, ou tout simplement pour fournir plus de stabilité et de protection lorsque vous coupez des matériaux de plus de 3 1/4 po de large.

Remarque : quand il est utilisé pour produire des feuillures, le guide doit être attaché au côté gauche de l'outil. (Fig. 1)

Installation du guide de largeur : insérez le bouton à ailettes dans le trou approprié dans le support de guide, et vissez dans le côté préféré du carter. Serrez à fond le bouton à ailettes. Réglage de la largeur de coupe : enfitez le bouton à ailettes dans le bras de guide approprié, et faites-le glisser le long du support de guide jusqu'à ce qu'il soit dans la position désirée. Serrez à fond le bouton à ailettes. Assurez-vous que la rondelle plate (fournie) est bien ajustée entre le fond du guide et le bouton à ailettes, sans quoi le guide risquerait de glisser.

GUIDE DE LARGEUR DE LUXE

Le guide de largeur de luxe peut être utilisé pour contrôler la largeur de la coupe, ou tout simplement pour fournir plus de stabilité et de protection lorsque vous coupez des matériaux de plus de 3 1/4 po de large. Il donne également la possibilité de guider le rabot le long de tout angle pouvant aller jusqu'à 45 degrés, afin de permettre de chanfreiner et de biseauter les bords (Fig. 7).

Remarque : le guide de luxe doit être attaché au côté gauche de l'outil. (Fig. 1).

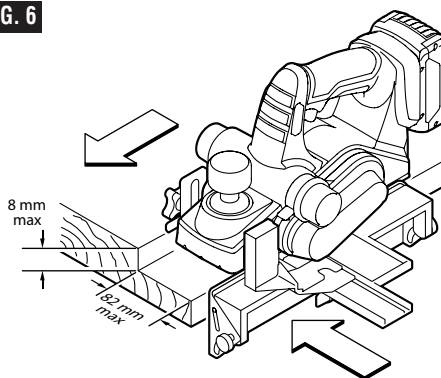
Installation du guide de largeur de luxe : insérez le bouton à ailettes dans le trou approprié dans le support de guide, et vissez dans le côté gauche du carter. Serrez à fond le bouton à ailettes. Réglage de la largeur de coupe : enfillez le bouton à ailettes dans le bras de guide de gauche, et faites-le glisser le long du support de guide jusqu'à ce qu'il soit dans la position désirée. Serrez à fond le bouton à ailettes. Assurez-vous que la rondelle plate (fournie) est bien ajustée entre le fond du guide et le bouton à ailettes, sans quoi le guide risquerait de glisser.

Réglage de la largeur de coupe : Desserrer le bouton à ailettes et, en vous aidant de l'échelle des largeurs, faites coulisser le guide le long de son support pour le mettre à la position souhaitée. Serrez fermement le bouton à ailettes (Fig. 1).

Réglage de l'angle : Desserrer les boutons ronds et faites pivoter le guide à la position désirée. Serrez fermement les boutons ronds (Fig. 1).

Remarquez que la semelle avant réglable est munie d'une rainure en V pour chanfreins qui permet de

FIG. 6



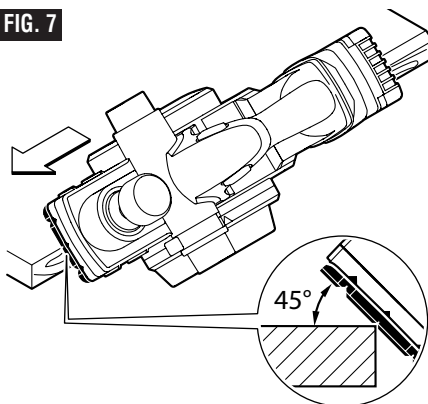
suivre l'arête de la pièce pour faciliter le rabotage quand vous utilisez le guide inclinable de luxe (Fig. 7).

BUTÉE DE PROFONDEUR POUR FEUILLURES

La butée de profondeur pour feuillures, vendue en option, (Fig. 1) vous permet de régler le rabot pour réaliser des feuillures de profondeur quelconque entre 0 et 5/16 po. Pour obtenir de bons résultats, il faut que le fer soit aligné correctement (voir ALIGNEMENT DU FER). La largeur de la feuillure se règle avec le guide de largeur. Sa largeur maximale est de 3 - 1/4 po. La profondeur finale s'obtient en faisant des passes successives jusqu'à ce que la butée de profondeur pour feuillures touche la surface de la pièce. La profondeur maximale de la feuillure est de 5/16 po.

Réglage de la profondeur de la feuillure : Desserrer le bouton à ailettes et, en vous aidant de l'échelle de profondeur sur la butée de profondeur pour feuillures, réglez à la profondeur désirée. Serrez fermement le bouton à ailettes.

FIG. 7

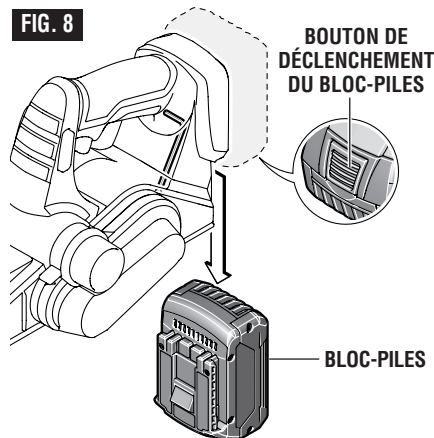


INSERTION ET RETRAIT DU BLOC-PILES

Pour insérer le bloc-piles, faites glisser celui-ci à l'intérieur du bâti jusqu'à ce qu'il se bloque en position.

Pour retirer le bloc-piles, appuyez sur le bouton de déclenchement du bloc-piles et faites glisser le bloc-piles vers l'avant (Fig. 8).

FIG. 8



Entretien

Service

AVERTISSEMENT IL N'EXISTE À L'INTÉRIEUR AUCUNE PIÈCE SUSCEPTIBLE D'ÊTRE ENTRETENUE PAR L'UTILISATEUR. L'entretien préventif exécuté par des personnes non autorisés peut entraîner un positionnement erroné des composants et des fils internes, ce qui peut présenter de graves dangers. Nous recommandons de confier toute intervention d'entretien sur l'outil à un centre de service-usine Bosch ou à un centre de service après-vente Bosch agréé. **TECHNICIENS :** Débranchez l'outil et/ou le chargeur de la source de courant avant d'entretenir.

PILES

Faire attention aux blocs-piles qui approchent la fin de leur vie. Si vous remarquez une diminution dans les performances de votre outil ou une durée de fonctionnement réduite de manière significative entre charges, il est temps de remplacer le bloc-piles. S'il n'est pas remplacé, il se peut qu'il endommage le chargeur ou que l'outil fonctionne incorrectement.

GRAISSAGE DE L'OUTIL

Votre outil Bosch a été graissé de manière appropriée et il est prêt à l'usage.

MOTEURS C.C.

Le moteur de votre outil a été conçu pour de nombreuses heures d'utilisation fiable. Pour maintenir l'efficacité maximale du moteur, nous recommandons de l'examiner tous les six mois. Seul un moteur de remplacement Bosch authentique, conçu spécialement pour votre outil, doit être utilisé.

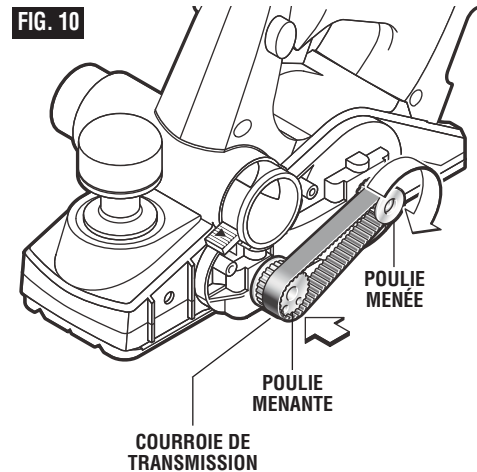
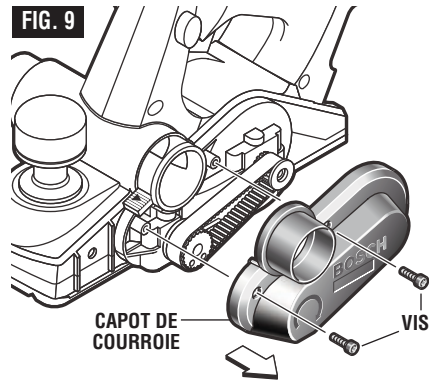
COURROIE DE TRANSMISSION

La courroie de transmission est une pièce d'usure normale. Contrôlez son usure périodiquement. Si elle apparaît se dessécher, se fissurer ou se déchirer, il faut la remplacer. Si elle ne reste pas en ligne ou glisse des poulies, il faut également la remplacer.

Montage d'une courroie neuve : desserrer les vis et enlever le capot de courroie (Fig. 9). Coupez et enlevez la courroie usée. Avant de monter la courroie neuve, nettoyez à fond les deux poulies. Commencez par placer la courroie neuve sur la poulie menante, ensuite tournez la courroie en sens horaire tout en la poussant sur la poulie menée. Remontez le capot de courroie et serrer les vis fermement (Fig. 10).

Nettoyage

AVERTISSEMENT Pour éviter les accidents, débranchez toujours l'outil et/ou le chargeur de la source de courant avant de



nettoyer. La façon la plus efficace de nettoyer l'outil est à l'aide d'air sec comprimé. **Portez toujours des lunettes de sécurité en nettoyant les outils à l'air comprimé.**

Les prises d'air et les leviers de commutation doivent être gardés propres et exempts de corps étrangers. Ne tentez pas de nettoyer en insérant des objets pointus à travers l'ouverture.

AVERTISSEMENT Certains agents de nettoyage et certains dissolvants abîment les pièces en plastique. Parmi ceux-ci se trouvent : l'essence, le tétrachlorure de carbone, les dissolvants de nettoyage chlorés, l'ammoniaque ainsi que les détergents domestiques qui en contiennent.

Accessoires

(* = équipement de série)

(** = accessoires optionnels)

- * Guide de largeur standard
- ** Guide inclinable de luxe
- ** Butée de profondeur pour feuillures
- * Clé à fer de 2,5 mm
- * Fer réversible au carbure (1)

* Raccord d'aspiration

- ** Tuyau d'aspiration
- ** Sac à copeaux
- ** BC330 Chargeur
- ** BC660 Chargeur
- ** Bloc-piles Li-ion
- ** Chargeur 1 heure

Advertencias generales de seguridad para herramientas mecánicas



ADVERTENCIA

Lea todas las advertencias de seguridad y todas las instrucciones. Si no se siguen las advertencias e instrucciones, el resultado podría ser sacudidas eléctricas, incendio y/o lesiones graves.

GUARDE TODAS LAS ADVERTENCIAS E INSTRUCCIONES PARA REFERENCIA FUTURA

La expresión "herramienta mecánica" en las advertencias se refiere a su herramienta mecánica alimentada por la red eléctrica (herramienta alámbrica) o su herramienta mecánica alimentada por baterías (herramienta inalámbrica).

Seguridad del área de trabajo

Mantenga el área de trabajo limpia y bien iluminada.

Las áreas desordenadas u oscuras invitan a que se produzcan accidentes.

No utilice herramientas mecánicas en atmósferas explosivas, como por ejemplo en presencia de líquidos, gases o polvos inflamables. Las herramientas mecánicas generan chispas que pueden incendiar el polvo o los vapores.

Mantenga alejados a los niños y a las personas que estén presentes mientras esté utilizando una herramienta mecánica. Las distracciones pueden hacerle perder el control de la herramienta.

Seguridad eléctrica

Los enchufes de las herramientas mecánicas deben coincidir con el tomacorriente. No modifique nunca el enchufe de ningún modo. No use enchufes adaptadores con herramientas mecánicas conectadas a tierra (puestas a tierra). Los enchufes no modificados y los tomacorrientes coincidentes reducirán el riesgo de sacudidas eléctricas.

Evite el contacto del cuerpo con las superficies conectadas o puestas a tierra, tales como tuberías, radiadores, estufas y refrigeradores. Hay un aumento del riesgo de sacudidas eléctricas si el cuerpo del operador se conecta o pone a tierra.

No exponga las herramientas mecánicas a la lluvia o a condiciones mojadas. La entrada de agua en una herramienta mecánica aumentará el riesgo de que se produzcan sacudidas eléctricas.

No maltrate el cordón de energía. No use nunca el cordón para transportar la herramienta mecánica, tirar de ella o desenchufarla. Mantenga el cordón alejado del calor, el aceite, los bordes afilados o las piezas móviles. Los cordones dañados o enganchados aumentan el riesgo de que se produzcan sacudidas eléctricas.

Cuando utilice una herramienta mecánica en el exterior, use un cordón de extensión adecuado para uso a la intemperie. La utilización de un cordón adecuado para uso a la intemperie reduce el riesgo de que se produzcan sacudidas eléctricas.

Si es inevitable utilizar una herramienta mecánica en un lugar húmedo, utilice una fuente de energía

protegida por un interruptor de circuito accionado por corriente de pérdida a tierra (GFCI). El uso de un GFCI reduce el riesgo de sacudidas eléctricas.

Seguridad personal

Manténgase alerta, fíjese en lo que está haciendo y use el sentido común cuando esté utilizando una herramienta mecánica. No use una herramienta mecánica cuando esté cansado o bajo la influencia de drogas, alcohol o medicamentos. Un momento de distracción mientras esté utilizando herramientas mecánicas podría causar lesiones corporales graves.

Use equipo de protección personal. Use siempre protección de los ojos. El equipo de protección, como por ejemplo una máscara antipolvo, calzado de seguridad antideslizante, casco o protección de oídos, utilizado para las condiciones apropiadas, reducirá las lesiones corporales.

Evite el arranque accidental. Asegúrese de que el interruptor esté en la posición de apagado antes de conectar la herramienta a la fuente de energía y / o al paquete de batería, levantar la herramienta o transportarla. Transportar herramientas mecánicas con un dedo en el interruptor o encender herramientas mecánicas que tengan el interruptor en la posición de encendido invita a que se produzcan accidentes.

Quite todas las llaves de ajuste o de tuerca antes de encender la herramienta mecánica. Una llave de tuerca o de ajuste que se deje colocada en una pieza giratoria de la herramienta mecánica podría causar lesiones corporales.

No intente alcanzar demasiado lejos. Mantenga un apoyo de los pies y un equilibrio apropiados en todo momento. Esto permite controlar mejor la herramienta mecánica en situaciones inesperadas.

Vístase adecuadamente. No use ropa holgada ni alhajas holgadas. Mantenga el pelo, la ropa y los guantes alejados de las piezas móviles. La ropa holgada, las alhajas holgadas o el pelo largo pueden quedar atrapados en las piezas móviles.

Si se proporcionan dispositivos para la conexión de instalaciones de extracción y recolección de polvo, asegúrese de que dichas instalaciones estén conectadas y se usen correctamente. El uso de dispositivos de recolección de polvo puede reducir los peligros relacionados con el polvo.

Uso y cuidado de las herramientas mecánicas
No fuerce la herramienta mecánica. Use la herramienta mecánica correcta para la aplicación que desee realizar. La herramienta mecánica correcta hará el trabajo mejor y con más seguridad a la capacidad nominal para la que fue diseñada.

No use la herramienta mecánica si el interruptor no la enciende y apaga. Toda herramienta mecánica que no se pueda controlar con el interruptor es peligrosa y debe ser reparada.

Desconecte el enchufe de la fuente de energía y/o el paquete de batería de la herramienta mecánica antes de hacer cualquier ajuste, cambiar accesorios o almacenar herramientas mecánicas. Dichas medidas preventivas de seguridad reducen el riesgo de arrancar accidentalmente la herramienta mecánica.

Guarde las herramientas que no esté usando fuera del alcance de los niños y no deje que personas que no estén familiarizadas con la herramienta mecánica o con estas instrucciones utilicen la herramienta. Las herramientas mecánicas son peligrosas en manos de usuarios que no hayan recibido capacitación.

Mantenga las herramientas mecánicas. Compruebe si hay piezas móviles desalineadas o que se atoran, si hay piezas rotas y si existe cualquier otra situación que podría afectar el funcionamiento de la herramienta mecánica. Si la herramienta mecánica está dañada, haga que la reparen antes de usarla. Muchos accidentes son causados por herramientas mecánicas mantenidas deficientemente.

Mantenga las herramientas de corte afiladas y limpias. Es menos probable que las herramientas de corte mantenidas apropiadamente, con bordes de corte afilados, se atoren, y dichas herramientas son más fáciles de controlar.

Utilice la herramienta mecánica, los accesorios, las brocas de la herramienta, etc., de acuerdo con estas

instrucciones, teniendo en cuenta las condiciones de trabajo y el trabajo que se vaya a realizar. El uso de la herramienta mecánica para operaciones distintas a aquéllas para las que fue diseñada podría causar una situación peligrosa.

Uso y cuidado de las herramientas alimentadas por baterías

Recargue las baterías solamente con el cargador especificado por el fabricante. Un cargador que es adecuado para un tipo de paquete de batería puede crear un riesgo de incendio cuando se utiliza con otro paquete de batería.

Utilice las herramientas mecánicas solamente con paquetes de batería designados específicamente. El uso de cualquier otro paquete de batería puede crear un riesgo de lesiones e incendio.

Cuando el paquete de batería no se esté usando, manténgalo alejado de otros objetos metálicos, tales como sujetapapeles, monedas, llaves, clavos, tornillos u otros objetos metálicos pequeños que pueden hacer una conexión de un terminal a otro. Si se cortocircuitan los terminales de la batería uno con otro, se pueden causar quemaduras o un incendio.

En condiciones abusivas, es posible que se eyecte líquido de la batería. Evite el contacto. Si se produce un contacto accidental, enjuáguese con agua. Si el líquido entra en contacto con los ojos, obtenga además ayuda médica. El líquido que salga eyectado de la batería puede causar irritación o quemaduras.

Servicio de ajustes y reparaciones

Haga que su herramienta mecánica reciba servicio de un técnico de reparaciones calificado, utilizando únicamente piezas de repuesto idénticas. Esto asegurará que se mantenga la seguridad de la herramienta mecánica.

Normas de seguridad para cepillos sin cordón

Espera a que el cortador se detenga antes de dejar la herramienta en algún lugar. Un cortador expuesto se puede enganchar en la superficie y causar una posible pérdida de control y lesiones graves.

Use abrazaderas u otro modo práctico de sujetar y soportar la pieza de trabajo en una plataforma estable. Si se sujeta la pieza de trabajo con la mano o contra el cuerpo, se crea una situación inestable que podría causar pérdida de control.

Fije el material que se vaya a acepillar. Nunca lo sostenga en la mano ni sobre las piernas. Si la pieza de trabajo es pequeña, debe fijarse adecuadamente para que las cuchillas del cepillo mecánico que giran no la levanten durante el movimiento del cepillo hacia delante. Un soporte

inestable puede hacer que las cuchillas se atasquen, causando pérdida de control y lesiones.

Arranque siempre el cepillo mecánico antes de que la cuchilla entre en contacto con la pieza de trabajo y deje que la cuchilla alcance toda su velocidad. La herramienta puede vibrar o chirriar si la velocidad de la cuchilla es demasiado lenta al comienzo del corte y es posible que cause retroceso.

Compruebe si la pieza de trabajo tiene clavos. Si hay clavos, quítelos o clávelos hasta que estén bien por debajo de la superficie acabada que se desea obtener. Si las cuchillas del cepillo mecánico golpean objetos como clavos, pueden hacer que la herramienta experimente retroceso y el resultado puede ser lesiones personales graves.

Desconecte el paquete de baterías de la herramienta o ponga el interruptor en la posición fijada o de apagado antes de hacer cualquier ensamblaje, ajustes o cambiar accesorios. Dichas medidas preventivas de seguridad reducen el riesgo de arrancar la herramienta accidentalmente.

Después de cambiar las cuchillas, gire el cilindro de las cuchillas (tambor de corte) para asegurarse de que las cuchillas no estén golpeando ninguna parte de la carcasa de la cabeza de las cuchillas y de que los tornillos de fijación de las cuchillas estén apretados. Las cuchillas que giran podrían golpear la carcasa de la herramienta y dañar la herramienta, así como causar posibles lesiones.

Sujete siempre firmemente la herramienta con las dos manos para tener un control máximo.

Nunca tire del cepillo mecánico hacia atrás sobre la pieza de trabajo. Podría producirse pérdida de control.

No ponga los dedos ni ningún objeto en el eyector de virutas ni recoja las virutas cortadas mientras la herramienta esté en marcha. El contacto con el tambor de las cuchillas causará lesiones.

Desconecte el paquete de baterías de la herramienta si es necesario quitar las virutas. Las cuchillas están ocultas de la vista y es posible que usted se corte si toca alguna de ellas.

Advertencias de seguridad adicionales

Un GFCI y los dispositivos de protección personal, como guantes de goma y calzado de goma de electricidad, mejorarán más su seguridad personal.

No use herramientas mecánicas con capacidad nominal solamente para CA con una fuente de energía de CC. Aunque pueda parecer que la herramienta funciona correctamente, es probable que los componentes eléctricos de la herramienta con capacidad nominal para CA fallen y creen un peligro para el operador.

Mantenga los mangos secos, limpios y libres de aceite y grasa. Las manos resbalosas no pueden controlar de modo seguro la herramienta mecánica.

Desarrolle un programa de mantenimiento periódico de la herramienta. Cuando limpie una herramienta, tenga cuidado de no desmontar ninguna de sus partes, ya que los cables internos podrían reubicarse incorrectamente o pellizcarse, o los resortes de retorno de los protectores de seguridad podrían montarse incorrectamente. Ciertos agentes de limpieza, tales como gasolina, tetracloruro de carbono, amoníaco, etc., podrían dañar las piezas de plástico.

Asegúrese de que el interruptor esté en la posición de apagado antes de introducir el paquete de batería. Si

se introduce el paquete de batería en herramientas mecánicas que tengan el interruptor en la posición de encendido, se invita a que se produzcan accidentes.



⚠ ADVERTENCIA Cierta polvos generados por el lijado, aserrado, amolado y taladrado mecánicos, y por otras actividades de construcción, contienen agentes químicos que se sabe que causan cáncer, defectos de nacimiento u otros daños sobre la reproducción. Algunos ejemplos de estos agentes químicos son:

- Plomo de pinturas a base de plomo,
- Sílice cristalina de ladrillos y cemento y otros productos de mampostería, y
- Arsénico y cromo de madera tratada químicamente.

Su riesgo por causa de estas exposiciones varía, dependiendo de con cuánta frecuencia realice este tipo de trabajo. Para reducir su exposición a estos agentes químicos: trabaje en un área bien ventilada y trabaje con equipo de seguridad aprobado, como por ejemplo máscaras antipolvo que estén diseñadas especialmente para impedir mediante filtración el paso de partículas microscópicas.

Símbolos

IMPORTANTE: Es posible que algunos de los símbolos siguientes se usen en su herramienta. Por favor, estúdielos y aprenda su significado. La interpretación adecuada de estos símbolos le permitirá utilizar la herramienta mejor y con más seguridad.

Símbolo	Nombre	Designación/explicación
V	Volt	Tensión (potencial)
A	Ampere	Corriente
Hz	Hertz	Frecuencia (ciclos por segundo)
W	Watt	Potencia
kg	Kilogramo	Peso
min	Minuto	Tiempo
s	Segundo	Tiempo
∅	Diámetro	Tamaño de las brocas taladradoras, muelas, etc
n_0	Velocidad sin carga	Velocidad rotacional sin carga
n	Velocidad nominal	Máxima velocidad obtenible
.../min	Revoluciones o alternación por minuto	Revoluciones, golpes, velocidad de superficie, órbitas, etc., por minuto
0	Posición "off" (apagado)	Velocidad cero, par motor cero...
1, 2, 3, ... I, II, III,	Graduaciones del selector	Graduaciones de velocidad, par motor o posición. Un número más alto significa mayor velocidad
	Selector infinitamente variable con apagado	La velocidad aumenta desde la graduación de 0
	Flecha	Acción en la dirección de la flecha
	Corriente alterna	Tipo o una característica de corriente
	Corriente continua	Tipo o una característica de corriente
	Corriente alterna o continua	Tipo o una característica de corriente
	Construcción de clase II	Designa las herramientas de construcción con aislamiento doble.
	Terminal de toma de tierra	Terminal de conexión a tierra
	Símbolo de advertencia	Alerta al usuario sobre mensajes de advertencia
	Sello RBRC de Li-ion	Designa el programa de reciclaje de baterías de Li-ion
	Sello RBRC de Ni-Cd	Designa el programa de reciclaje de baterías de Ni-Cd
	Símbolo de lectura del manual	Alerta al usuario para que lea el manual
	Símbolo de uso de protección de los ojos	Alerta al usuario para que use protección de los ojos

Símbolos (continuación)

IMPORTANTE: Es posible que algunos de los símbolos siguientes se usen en su herramienta. Por favor, estúdielos y aprenda su significado. La interpretación adecuada de estos símbolos le permitirá utilizar la herramienta mejor y con más seguridad.



Este símbolo indica que esta herramienta está catalogada por Underwriters Laboratories.



Este símbolo indica que este componente está reconocido por Underwriters Laboratories.



Este símbolo indica que Underwriters Laboratories ha catalogado esta herramienta indicando que cumple con las normas estadounidenses y canadienses.



Este símbolo indica que esta herramienta está catalogada por la Canadian Standards Association.



Este símbolo indica que la Canadian Standards Association ha catalogado esta herramienta indicando que cumple con las normas estadounidenses y canadienses.



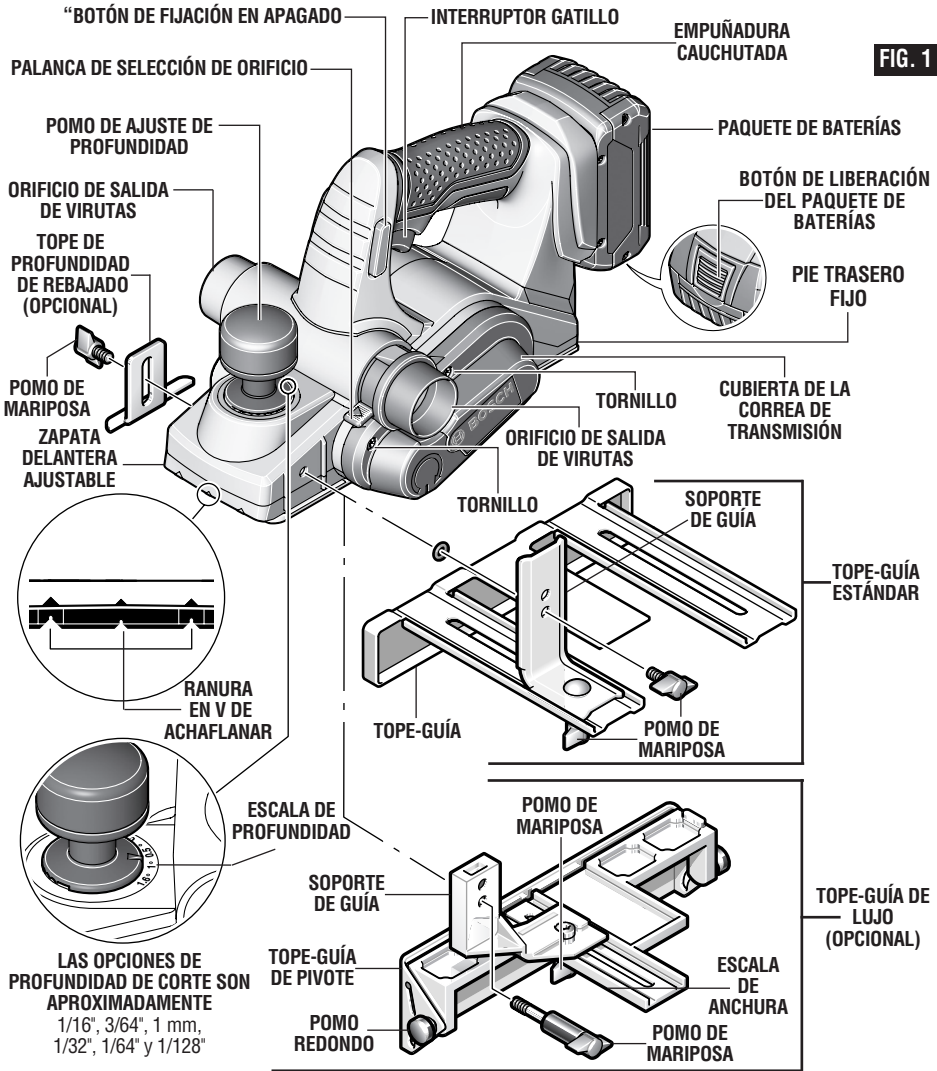
Este símbolo indica que Intertek Testing Services ha catalogado esta herramienta indicando que cumple con las normas estadounidenses y canadienses.



Este símbolo indica que esta herramienta cumple con la norma mexicana oficial (NOM).

Descripción funcional y especificaciones

ADVERTENCIA Desconecte el paquete de baterías de la herramienta o ponga el interruptor en la posición fijada o de apagado antes de hacer cualquier ensamblaje, ajustes o cambiar accesorios. Dichas medidas preventivas de seguridad reducen el riesgo de arrancar la herramienta accidentalmente.



Número de modelo
 Tensión nominal
 Velocidad sin carga

PLH181
 18 V ==
 n₀ 14 000/min

Capacidades máximas
 Profundidad de acepillado 0 - 1/16" (0 - 1,6 mm)
 Profundidad de rebajado 0 - 5/16" (0 - 8 mm)
 Anchura de corte 3-1/4" (82 mm)

Paquetes de batería/Cargadores de baterías

Sírvase consultar el Manual de la batería/cargador que se incluye con su herramienta.

NOTA: Para obtener las especificaciones de la herramienta, consulte la placa del fabricante colocada en la herramienta.

Ensamblaje

EXTRACCIÓN DE VIRUTAS

El cepillo mecánico viene con dos orificios de salida de virutas, que pueden utilizarse con una bolsa para virutas o con una aspiradora de taller y un conector de aspiradora (Fig. 2) para mantener más limpio el entorno de trabajo. La bolsa para virutas o el conector de aspiradora pueden acoplarse a cualquiera de los extremos del orificio de salida.

CUCHILLAS DEL CEPILLO MECÁNICO

⚠ ADVERTENCIA Las cuchillas del cepillo mecánico están afiladas y son frágiles, y deben manejarse con cuidado para evitar que el usuario sufra lesiones o que las cuchillas se dañen.

Las cuchillas del cepillo mecánico tienen dos filos y pueden invertirse cuando uno de los filos se desafiló o astilló.

No intente afilar ni utilizar cuchillas usadas reafiladas de ninguna clase. Utilice únicamente cuchillas diseñadas para uso con este modelo, porque otras cuchillas causarán vibración y disminución del rendimiento, y es posible que no se sujeten firmemente en el portacuchillas.

LLAVE PARA CUCHILLAS Y AREA PARA GUARDAR

Cuando el paquete de batería haya sido retirado de la herramienta, hay una llave para cuchillas que está ubicada convenientemente en el interior de la base del mango, donde siempre está al alcance de la mano y es poco probable que se pierda o desubique (Fig. 3).

INVERSIÓN O CAMBIO DE LAS CUCHILLAS

Para invertir o cambiar la cuchilla, afloje los tornillos de fijación utilizando la llave para cuchillas. Con los tornillos aflojados, deslice longitudinalmente la cuchilla hasta sacarlo del tambor de corte, teniendo cuidado de mantener los dedos alejados de los filos afilados de la cuchilla (Fig. 4).

Puede utilizarse un pedazo de madera para este propósito. Si la cuchilla tiene goma y es difícil quitarla, puede limpiar la cuchilla con alcoholes minerales, diluyente de laca o alcohol.

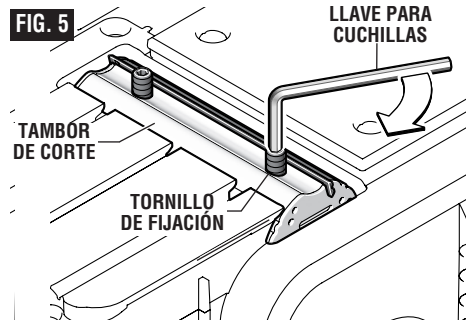
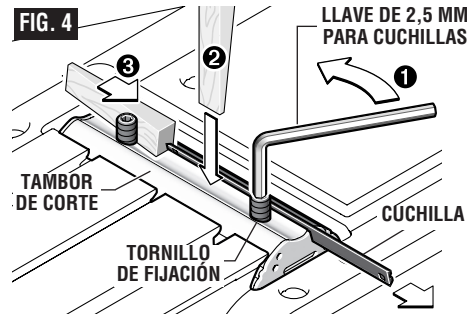
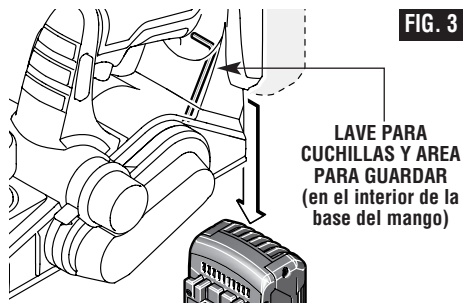
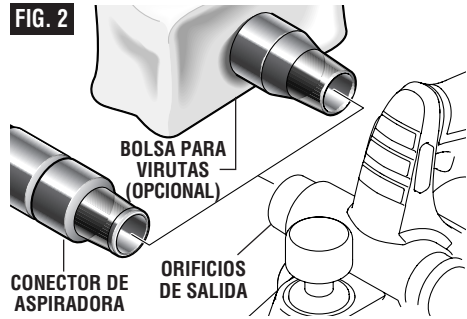
Limpie todas las superficies antes de instalar la cuchilla nueva, ya que esto garantizará un ajuste preciso de la cuchilla y un rendimiento adecuado de la herramienta.

ALINEACIÓN DE LAS CUCHILLAS

La cuchilla debe estar centrada respecto a las zapatas delantera y trasera (Fig. 5). Rote el tambor de las cuchillas a mano para verificar y asegurar que la hoja no toque ninguna otra parte de la herramienta.

Asegúrese de que la cuchilla se asiente correctamente en la ranura del portacuchilla que está en el tambor de corte.

Una vez hecho eso, usted podrá apretar los tornillos de fijación que sujetan la cuchilla, con lo cual el cepillo mecánico estará listo para utilizarse.



AJUSTE DE LA PROFUNDIDAD DE CORTE

La profundidad de corte adecuada debe determinarse de acuerdo con la dureza, gomosidad o contenido de humedad del material que se vaya a cortar, así como con la velocidad de avance, y es principalmente una cuestión de experiencia. Comience con un corte ligero y aumente el ajuste de profundidad si el cepillo mecánico se mueve libremente por la pieza de trabajo sin carga excesiva en el motor. No cambie la profundidad de corte mientras esté acepillando.

La profundidad de corte se determina por la diferencia de altura entre la zapata delantera ajustable y la zapata trasera fija del cepillo mecánico. A medida que la zapata delantera se ajusta, se retrae y deja al descubierto la cuchilla, que puede entonces quitar la cantidad deseada de material de la pieza de trabajo. La profundidad de corte está graduada de 0 a 1/16 de

pulgada y el "0" indica que la cuchilla está totalmente retraída.

Ajuste de la profundidad de corte: Gire el pomo de ajuste de profundidad hasta que el indicador se acople con el retén que indica la profundidad de corte deseada en la escala de profundidad (Fig. 1).

El cepillo mecánico puede ajustarse para cortar a cualquier profundidad desde 0 hasta 1/16 de pulgada.

PALANCA DE SELECCIÓN DE ORIFICIO

Al mover la palanca selectora de orificio hasta la posición 1 (hacia la parte delantera de la herramienta), las virutas se descargan hacia la izquierda, mientras que al moverla hasta la posición 2 (hacia la parte trasera de la herramienta), las virutas se descargan hacia la derecha (Fig. 1).

Instrucciones de funcionamiento

INTERRUPTOR GATILLO DE ENCENDIDO Y APAGADO

⚠ ADVERTENCIA **Sostenga la herramienta con las dos manos mientras la arranca, ya que el par del motor puede hacer que la herramienta se tuerza.**

Para encender la herramienta, oprima el botón de "Fijación en apagado" y apriete el interruptor gatillo. Para apagar la herramienta, suelte el interruptor gatillo, que está accionado por resorte, y regresará automáticamente a la posición de apagado.

Para prolongar la duración del interruptor, no lo ponga en las posiciones de encendido y apagado mientras la herramienta y el tambor se estén sosteniendo contra una pieza de trabajo.

FRENO

Cuando se suelta el gatillo, éste activa el freno eléctrico para detener la hoja rápidamente. Este dispositivo es especialmente útil cuando se hacen cortes repetitivos.

ACCIÓN DE ACEPILLADO

Compruebe si la pieza de trabajo está sujeta firmemente en posición correcta sobre la superficie de trabajo y, ubicándose de manera cómoda, sostenga firmemente el cepillo mecánico con las dos manos. Con el cepillo mecánico completamente ajustado, coloque la zapata delantera sobre la pieza de trabajo (asegúrese de que el tambor de corte no esté en contacto con la pieza de trabajo) y arranque el cepillo mecánico de la manera que se describió anteriormente. Ejerciendo presión sobre la zapata delantera y con el tope-guía ubicado contra el lado de la pieza de trabajo (para controlar la anchura o el ángulo), haga avanzar firmemente el cepillo mecánico hasta que la zapata trasera se acople completamente en la pieza de trabajo. Seguidamente, transfiera presión gradualmente hacia la zapata trasera y siga acepillando hasta el final del corte. Haga avanzar el cepillo mecánico a una velocidad uniforme y razonable, que no someta a un esfuerzo excesivo ni al motor ni a las cuchillas (no tire del cepillo mecánico hacia atrás

sobre la superficie que ya haya cortado). Utilice cortes progresivos hasta que esté cerca de la profundidad deseada y entonces cambie el ajuste a un corte más ligero para que con la pasada final se obtenga un buen acabado de la superficie.

⚠ PRECAUCIÓN **El motor puede detenerse si se utiliza incorrectamente o se sobrecarga.** Reduzca la presión (la velocidad de avance) o la profundidad de corte para evitar posibles daños a la herramienta si el motor funciona con dificultad.

TOPE-GUÍA ESTÁNDAR

El tope-guía se puede utilizar para controlar la anchura del corte o simplemente para brindar estabilidad y protección adicionales cuando se corten materiales de hasta 3-1/4 pulgadas de ancho.

Nota: Cuando se utilice para rebajar, el tope-guía se debe instalar en el lado izquierdo de la herramienta. (Fig. 1).

Instalación del tope-guía: Coloque el pomo de mariposa a través del agujero apropiado del soporte de guía y enrósquelo en el lado preferido de la carcasa. Apriete firmemente el pomo de mariposa. Ajuste de la anchura de corte: Coloque el pomo de mariposa a través del brazo apropiado del tope-guía y deslícelo a lo largo del soporte de guía hasta la posición deseada. Apriete firmemente el pomo de mariposa. Asegúrese de que la arandela plana (suministrada) esté ajustada entre la parte inferior del tope-guía y el pomo de mariposa o es probable que el tope-guía resbale.

TOPE-GUÍA DE LUJO

El tope-guía de lujo se puede utilizar para controlar la anchura del corte o simplemente para brindar estabilidad y protección adicionales cuando se corten materiales de hasta 3-1/4 pulgadas de ancho, con la capacidad adicional de guiar el cepillo mecánico a cualquier ángulo hasta 45 grados, para permitir el achaflanado y biselado de bordes (Fig. 7).

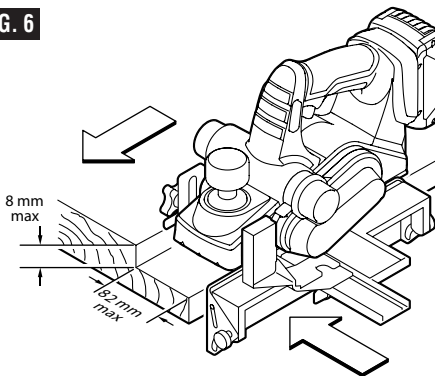
Nota: El tope-guía de lujo se debe instalar en el lado izquierdo de la herramienta (Fig. 1).

Instalación del tope-guía de lujo: Coloque el pomo de mariposa a través del agujero apropiado del soporte de guía y enrósquelo en el lado izquierdo de la carcasa. Apriete firmemente el pomo de mariposa.
Ajuste de la anchura de corte: Coloque el pomo de mariposa a través del brazo izquierdo del tope-guía y deslícelo a lo largo del soporte de guía hasta la posición deseada. Apriete firmemente el pomo de mariposa. Asegúrese de que la arandela plana (suministrada) esté ajustada entre la parte inferior del tope-guía y el pomo de mariposa o es probable que el tope-guía resbale

Ajuste de la anchura de corte: Afloje el pomo de mariposa y, utilizando la escala de anchura, deslice el tope-guía a lo largo del soporte de guía hasta la posición deseada. Apriete firmemente el pomo de mariposa (Fig. 1).

Ajuste del ángulo de corte: Afloje los pomos redondos y pivote el tope-guía hasta la posición deseada. Apriete firmemente los pomos redondos (Fig. 1).

FIG. 6



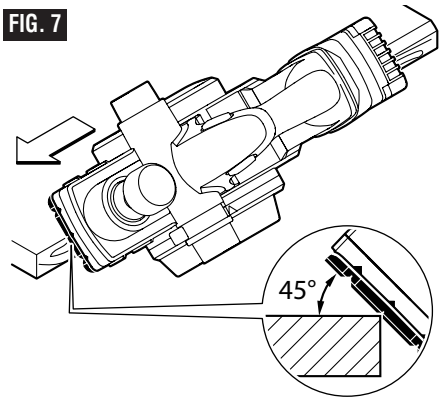
Observe que la zapata delantera ajustable contiene una ranura en V de achaflanar, que seguirá la esquina de una pieza de trabajo para facilitar el manejo cuando se utilice el tope-guía angular de lujo/de anchura (Fig. 7).

TOPE DE PROFUNDIDAD DE REBAJADO

El accesorio de tope de profundidad de rebajado opcional (Fig. 1) permite al usuario ajustar cualquier profundidad de rebajado desde 0 hasta 5/16 de pulgada. Para obtener resultados óptimos, es importante que la cuchilla esté alineada adecuadamente (consulte "ALINEACIÓN DE LAS CUCHILLAS"). La anchura de rebajado se controla mediante el tope-guía de anchura. La anchura máxima de corte es de 3-1/4" y la profundidad final se logra realizando cortes repetitivos hasta que la guía de profundidad de rebajado entra en contacto con la pieza de trabajo. La profundidad máxima de rebajado es de 5/16".

Ajuste de la profundidad de rebajado: Afloje el pomo de mariposa y, utilizando la escala de profundidad que está en el tope de profundidad de rebajado, ajuste la profundidad de rebajado deseada. Apriete firmemente el pomo de mariposa.

FIG. 7

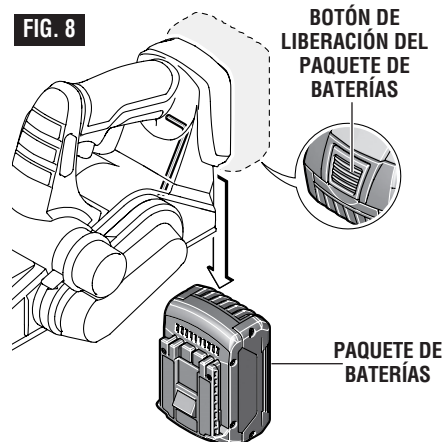


INTRODUCCIÓN Y SUELTA DEL PAQUET E DE BATERÍAS

Para insertar la batería, deslice el paquete de batería cargado al interior de la carcasa hasta que dicho paquete de batería quede bloqueado en la posición correcta.

Para quitar el paquete de baterías, oprima el botón de liberación del paquete de baterías y deslice dicho paquete hacia delante (Fig. 8).

FIG. 8



Mantenimiento

Servicio

ADVERTENCIA NO HAY PIEZAS EN EL INTERIOR QUE PUEDAN SER AJUSTADAS O REPARADAS POR EL USUARIO. El mantenimiento preventivo realizado por personal no autorizado puede dar lugar a la colocación incorrecta de cables y componentes internos que podría constituir un peligro serio. Recomendamos que todo el servicio de las herramientas sea realizado en un Centro de servicio de fábrica Bosch o en una Estación de servicio Bosch autorizada. **TECNICOS DE REPARACIONES:** Desconecten la herramienta y/o el cargador de la fuente de energía antes de realizar servicio de ajustes y reparaciones.

BATERÍAS

Esté alerta a los paquetes de baterías que estén aproximándose al final de su vida útil. Si observa una disminución del rendimiento de la herramienta o un tiempo de funcionamiento significativamente más corto entre cargas, entonces ha llegado el momento de cambiar el paquete de baterías. Si no se hace esto, el resultado puede ser que la herramienta funcione incorrectamente o que el cargador se dañe.

LUBRICACION DE LAS HERRAMIENTAS

Su herramienta Bosch ha sido lubricada adecuadamente y está lista para la utilización.

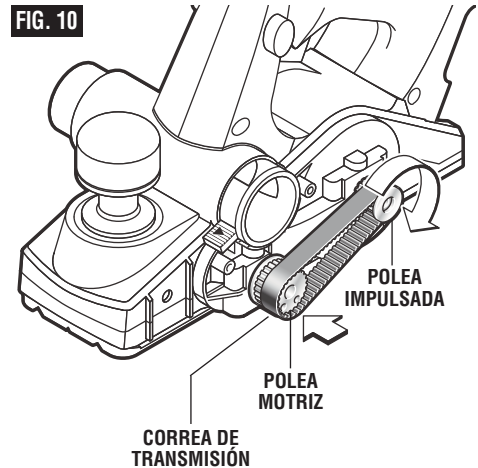
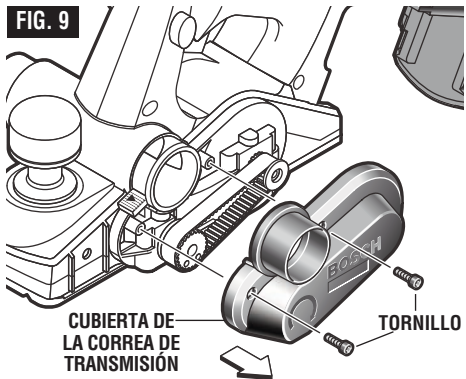
MOTORES “CORRIENTE DIRECTA”

El motor de la herramienta ha sido diseñado para muchas horas de servicio fiable. Para mantener un rendimiento óptimo del motor, recomendamos que éste sea examinado cada seis meses. Sólo se debe usar un motor de repuesto Bosch genuino diseñado especialmente para la herramienta.

CORREA DE TRANSMISIÓN

La correa de transmisión es una pieza que requiere mantenimiento normal y debe inspeccionarse periódicamente para comprobar si está desgastada. Si la correa de transmisión muestra señales de estar secándose, agrietándose o rasgándose, debe cambiarse. Si la correa de transmisión no describe su trayectoria adecuadamente o si se sale de las poleas, debe cambiarse.

Instalación de una correa de transmisión nueva: Afloje los tornillos y quite la cubierta de la correa de transmisión (Fig. 9). Corte y quite la correa de transmisión dañada. Antes de instalar la correa de transmisión nueva, limpie a fondo las dos poleas. Coloque primero la correa de transmisión nueva en la polea motriz y luego haga girar dicha polea en el sentido de las agujas del reloj a la vez que empuja la correa sobre la polea impulsada. Vuelva a instalar la cubierta de la correa de transmisión y apriete firmemente los tornillos (Fig. 10).



Limpieza

ADVERTENCIA Para evitar accidentes, desconecte siempre la herramienta y/o el cargador de la fuente de energía antes de la limpieza. La herramienta se puede limpiar más eficazmente con aire comprimido seco. Use gafas de seguridad siempre que limpie herramientas con aire comprimido.

Las aberturas de ventilación y las palancas de interruptor deben mantenerse limpias y libres de materias extrañas. No intente limpiar introduciendo objetos puntiagudos a través de las aberturas.

PRECAUCION Ciertos agentes de limpieza y disolventes dañan las piezas de plástico. Algunos de estos son: gasolina, tetracloruro de carbono, disolventes de limpieza clorados, amoníaco y detergentes domésticos que contienen amoníaco.

Accesorios

(* = equipo estándar)

(** = accesorios opcionales)

* Tope-guía estándar

** Tope-guía de lujo

** Tope de profundidad de rebajado

* Llave de 2.5 mm para cuchillas

* Cuchilla reversible de carburo (1)

* Conector de aspiradora

** Manguera de aspiración

** Bolsa para virutas

** BC330 Cargado

** BC660 Cargador

** Paquetes de batería de ion Li

** Cargador de una hora

LIMITED WARRANTY OF BOSCH PORTABLE AND BENCHTOP POWER TOOLS

Robert Bosch Tool Corporation ("Seller") warrants to the original purchaser only, that all BOSCH portable and benchtop power tools will be free from defects in material or workmanship for a period of one year from date of purchase. SELLER'S SOLE OBLIGATION AND YOUR EXCLUSIVE REMEDY under this Limited Warranty and, to the extent permitted by law, any warranty or condition implied by law, shall be the repair or replacement of parts, without charge, which are defective in material or workmanship and which have not been misused, carelessly handled, or misrepaired by persons other than Seller or Authorized Service Station. To make a claim under this Limited Warranty, you must return the complete portable or benchtop power tool product, transportation prepaid, to any BOSCH Factory Service Center or Authorized Service Station. For Authorized BOSCH Power Tool Service Stations, please refer to your phone directory.

THIS LIMITED WARRANTY DOES NOT APPLY TO ACCESSORY ITEMS SUCH AS CIRCULAR SAW BLADES, DRILL BITS, ROUTER BITS, JIGSAW BLADES, SANDING BELTS, GRINDING WHEELS AND OTHER RELATED ITEMS.

ANY IMPLIED WARRANTIES SHALL BE LIMITED IN DURATION TO ONE YEAR FROM DATE OF PURCHASE. SOME STATES IN THE U.S., SOME CANADIAN PROVINCES DO NOT ALLOW LIMITATIONS ON HOW LONG AN IMPLIED WARRANTY LASTS, SO THE ABOVE LIMITATION MAY NOT APPLY TO YOU.

IN NO EVENT SHALL SELLER BE LIABLE FOR ANY INCIDENTAL OR CONSEQUENTIAL DAMAGES (INCLUDING BUT NOT LIMITED TO LIABILITY FOR LOSS OF PROFITS) ARISING FROM THE SALE OR USE OF THIS PRODUCT. SOME STATES IN THE U.S. AND SOME CANADIAN PROVINCES DO NOT ALLOW THE EXCLUSION OR LIMITATION OF INCIDENTAL OR CONSEQUENTIAL DAMAGES, SO THE ABOVE LIMITATION OR EXCLUSION MAY NOT APPLY TO YOU.

THIS LIMITED WARRANTY GIVES YOU SPECIFIC LEGAL RIGHTS, AND YOU MAY ALSO HAVE OTHER RIGHTS WHICH VARY FROM STATE TO STATE IN THE U.S., PROVINCE TO PROVINCE IN CANADA AND FROM COUNTRY TO COUNTRY.

THIS LIMITED WARRANTY APPLIES ONLY TO PORTABLE AND BENCHTOP ELECTRIC TOOLS SOLD WITHIN THE UNITED STATES OF AMERICA, CANADA AND THE COMMONWEALTH OF PUERTO RICO. FOR WARRANTY COVERAGE WITHIN OTHER COUNTRIES, CONTACT YOUR LOCAL BOSCH DEALER OR IMPORTER.

GARANTIE LIMITÉE DES OUTILS ÉLECTRIQUES PORTATIFS ET D'ÉTABLI BOSCH

Robert Bosch Tool Corporation (le « vendeur ») garantit à l'acheteur initial seulement que tous les outils électriques portatifs et d'établi BOSCH seront exempts de vices de matériaux ou d'exécution pendant une période d'un an depuis la date d'achat. LA SEULE OBLIGATION DU VENDEUR ET LE SEUL RECOURS DE L'ACHETEUR sous la présente garantie limitée, et en autant que la loi le permette sous toute garantie ou condition implicite qui en découlerait, sera l'obligation de remplacer ou réparer gratuitement les pièces défectueuses matériellement ou comme fabrication, pourvu que lesdites défectuosités ne soient pas attribuables à un usage abusif ou à quelque réparation bricolée par quelqu'un d'autre que le vendeur ou le personnel d'une station-service agréée. Pour présenter une réclamation en vertu de cette garantie limitée, vous devez renvoyer l'outil électrique portatif ou d'établi complet, port payé, à tout centre de service agréé ou centre de service usine. Veuillez consulter votre annuaire téléphonique pour les adresses.

LA PRÉSENTE GARANTIE NE S'APPLIQUE PAS AUX ACCESSOIRES TELS QUE LAMES DE SCIES CIRCULAIRES, MÊCHES DE PERCEUSES, FERS DE TOUPIES, LAMES DE SCIES SAUTEUSES, COURROIES DE PONÇAGE, MEULES ET AUTRES ARTICLES DU GENRE.

TOUTE GARANTIE IMPLICITE NE SAURAIT ÊTRE TENUE POUR RESPONSABLE DES INCIDENTS OU DOMMAGES INDIRECTS (INCLUANT, MAIS NE SE LIMITANT PAS AUX PERTES DE PROFITS) CONSÉCUTIFS À LA VENTE OU L'USAGE DE CE PRODUIT. CERTAINS ÉTATS AMÉRICAINS, CERTAINES PROVINCES CANADIENNES N'ADMETTANT PAS LE PRINCIPE DE LA LIMITATION DE LA DURÉE DES GARANTIES IMPLICITES, IL EST POSSIBLE QUE LES LIMITATIONS CI-DESSUS NE S'APPLIQUENT PAS À VOTRE CAS.

EN AUCUN CAS LE VENDEUR NE SAURAIT ÊTRE TENU POUR RESPONSABLE DES INCIDENTS OU DOMMAGES INDIRECTS (INCLUANT, MAIS NE SE LIMITANT PAS AUX PERTES DE PROFITS) CONSÉCUTIFS À LA VENTE OU L'USAGE DE CE PRODUIT. CERTAINS ÉTATS AMÉRICAINS ET CERTAINES PROVINCES CANADIENNES N'ADMETTANT PAS LE PRINCIPE DE LA LIMITATION NI L'EXCLUSION DES DOMMAGES INDIRECTS ET CONSÉQUENTIELS, IL EST POSSIBLE QUE LES LIMITATIONS OU EXCLUSIONS CI-DESSUS NE S'APPLIQUENT PAS À VOTRE CAS.

LA PRÉSENTE GARANTIE VOUS ACCORDE DES DROITS BIEN DÉTERMINÉS, Y COMPRIS POSSIBLEMENT CERTAINS DROITS VARIABLES DANS LES DIFFÉRENTS ÉTATS AMÉRICAINS, PROVINCES CANADIENNE ET DE PAYS À PAYS.

CETTE GARANTIE LIMITÉE NE S'APPLIQUE QU'AUX OUTILS ÉLECTRIQUES PORTATIFS ET D'ÉTABLI VENDUS AUX ÉTATS-UNIS D'AMÉRIQUE, AU CANADA ET AU COMMONWEALTH DE PORTO RICO. POUR COUVERTURE DE GARANTIE DANS LES AUTRES PAYS, CONTACTEZ VOTRE IMPORTATEUR OU REVENDEUR BOSCH LOCAL.

GARANTIA LIMITADA PARA HERRAMIENTAS MECANICAS PORTATILES Y PARA TABLERO DE BANCO BOSCH

Robert Bosch Tool Corporation ("el Vendedor") garantiza, únicamente al comprador original, que todas las herramientas mecánicas portátiles y para tablero de banco BOSCH estarán libres de defectos de material o de fabricación durante un período de un año a partir de la fecha de compra. LA ÚNICA OBLIGACION DEL VENDEADOR Y EL RECURSO EXCLUSIVO QUE USTED TIENE bajo esta Garantía Limitada y, hasta donde la ley lo permita, bajo cualquier garantía o condición implícita por ley, consistirá en la reparación o sustitución sin costo de las piezas que presenten defectos de material o de fabricación y que no hayan sido utilizadas incorrectamente, manejadas descuidadamente o reparadas incorrectamente por personas que no sean el Vendedor o una Estación de servicio autorizada. Para efectuar una reclamación bajo esta Garantía Limitada, usted debe devolver el producto, que consiste en la herramienta mecánica portátil o para tablero de banco completa, con el transporte pagado, a cualquier Centro de servicio de fábrica o Estación de servicio autorizada. Para Estaciones de servicio autorizadas de herramientas mecánicas BOSCH, por favor, consulte el directorio telefónico.

ESTA GARANTIA LIMITADA NO SE APLICA A ARTICULOS ACCESORIOS TALES COMO HOJAS PARA SIERRAS CIRCULARES, BROCCAS PARA TALADROS, BROCCAS PARA FRESADORAS, HOJAS PARA SIERRAS DE VAIVEN, CORREAS PARA LIJAR, RUEDAS DE AMOLAR Y OTROS ARTICULOS RELACIONADOS.

TODAS LAS GARANTIAS IMPLICITAS TENDRAN UNA DURACION LIMITADA A UN AÑO A PARTIR DE LA FECHA DE COMPRA. ALGUNOS ESTADOS DE LOS EE.UU. Y ALGUNAS PROVINCIAS CANADIENSES NO PERMITEN LIMITACIONES EN CUANTO A LA DURACION DE UNA GARANTIA IMPLICITA, POR LO QUE ES POSIBLE QUE LA LIMITACION ANTERIOR NO SEA APLICABLE EN EL CASO DE USTED.

EL VENDEADOR NO SERA RESPONSABLE EN NINGUN CASO DE NINGUN DAÑO INCIDENTAL O EMERGENTE (INCLUYENDO PERO NO LIMITADO A RESPONSABILIDAD POR PERDIDA DE BENEFICIOS) QUE SE PRODUZCA COMO CONSECUENCIA DE LA VENTA O UTILIZACION DE ESTE PRODUCTO. ALGUNOS ESTADOS DE LOS EE.UU. Y ALGUNAS PROVINCIAS CANADIENSES NO PERMITEN LA EXCLUSION O LIMITACION DE LOS DAÑOS INCIDENTALES O EMERGENTES, POR LO QUE ES POSIBLE QUE LA LIMITACION O EXCLUSION ANTERIOR NO SEA APLICABLE EN EL CASO DE USTED.

ESTA GARANTIA LIMITADA LE CONFIERE A USTED DERECHOS LEGALES ESPECIFICOS Y ES POSIBLE QUE USTED TAMBIEN TENGA OTROS DERECHOS QUE VARIAN DE ESTADO A ESTADO EN LOS EE.UU., DE PROVINCIA A PROVINCIA EN CANADA Y DE UN PAIS A OTRO.

ESTA GARANTIA LIMITADA SE APLICA SOLAMENTE A HERRAMIENTAS ELECTRICAS PORTATILES Y PARA TABLERO DE BANCO VENDIDAS EN LOS ESTADOS UNIDOS DE AMERICA, CANADA Y EL ESTADO LIBRE ASOCIADO DE PUERTO RICO. PARA COBERTURA DE GARANTIA EN OTROS PAISES, PONGASE EN CONTACTO CON SU DISTRIBUIDOR O IMPORTADOR LOCAL DE BOSCH.

© Robert Bosch Tool Corporation 1800 W. Central Road Mt. Prospect, IL 60056-2230

Exportado por: Robert Bosch Tool Corporation Mt. Prospect, IL 60056 -2230, E.U.A.

Importado en México por: Robert Bosch, S.A. de C.V., Calle Robert Bosch No. 405, Zona Industrial, Toluca, Edo. de México, C.P. 50070, Tel. (722) 2792300

2610034449 03/14



2 6 1 0 0 3 4 4 4 9

Free Manuals Download Website

<http://myh66.com>

<http://usermanuals.us>

<http://www.somanuals.com>

<http://www.4manuals.cc>

<http://www.manual-lib.com>

<http://www.404manual.com>

<http://www.luxmanual.com>

<http://aubethermostatmanual.com>

Golf course search by state

<http://golfingnear.com>

Email search by domain

<http://emailbydomain.com>

Auto manuals search

<http://auto.somanuals.com>

TV manuals search

<http://tv.somanuals.com>