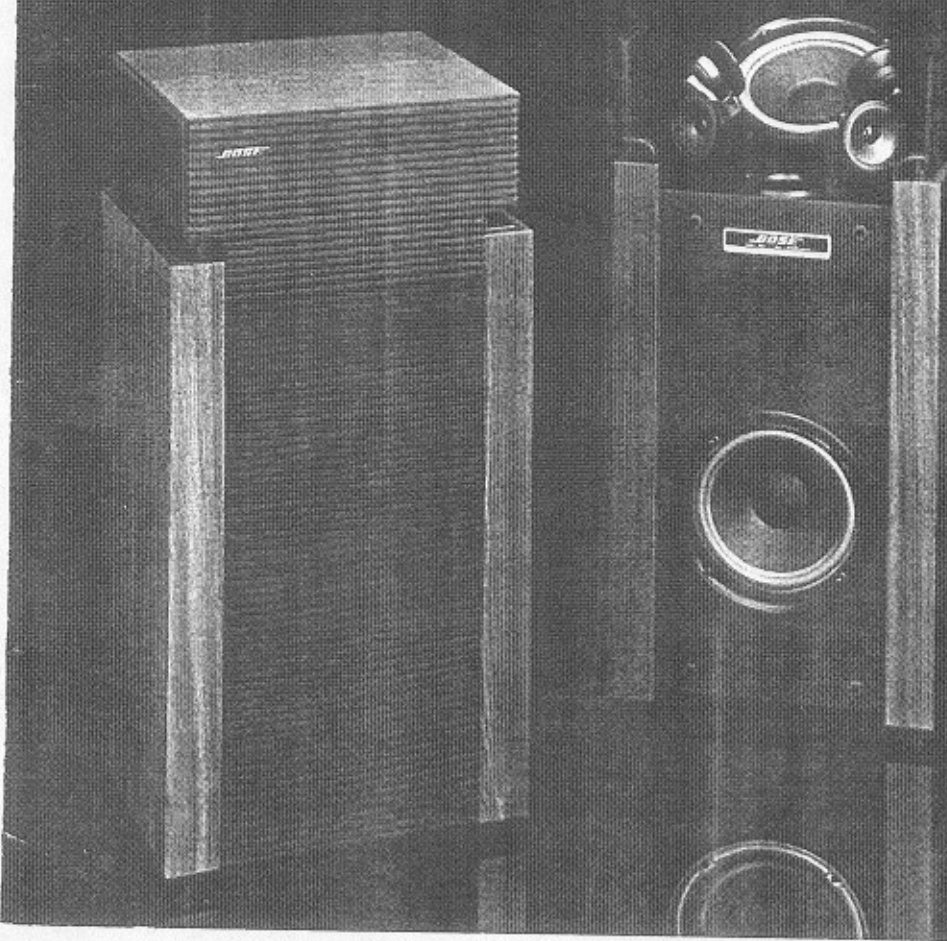


Multilingual Owner's Manual

**Bose® 601™ Series II
Direct/Reflecting®
Loudspeaker System**



BOSE

Owner's Manual
Mode d'Emploi

The Bose® 601™ Series II Direct/Reflecting® Loudspeaker System

1. Introduction

Thank you for purchasing the Bose 601 Series II Direct/Reflecting® Loudspeaker System. Its advanced design and quality construction will give you many years of listening pleasure.

The technology and operating principles of the 601 system are significantly different from those of conventional speaker systems. To obtain the best possible performance from your 601 speakers, **please take the time to read this manual.**

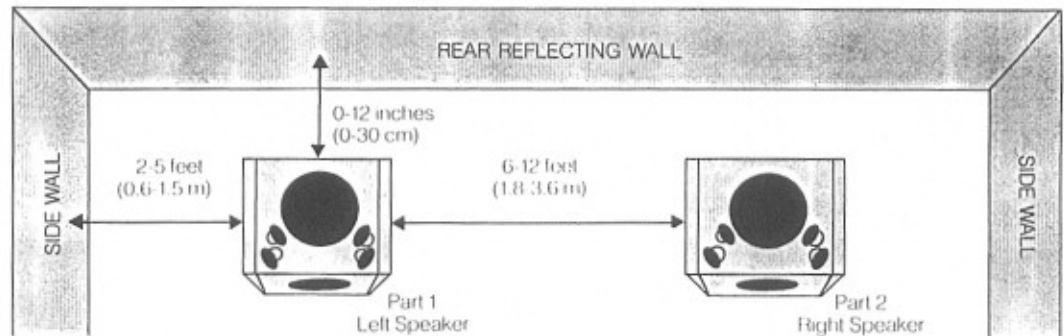
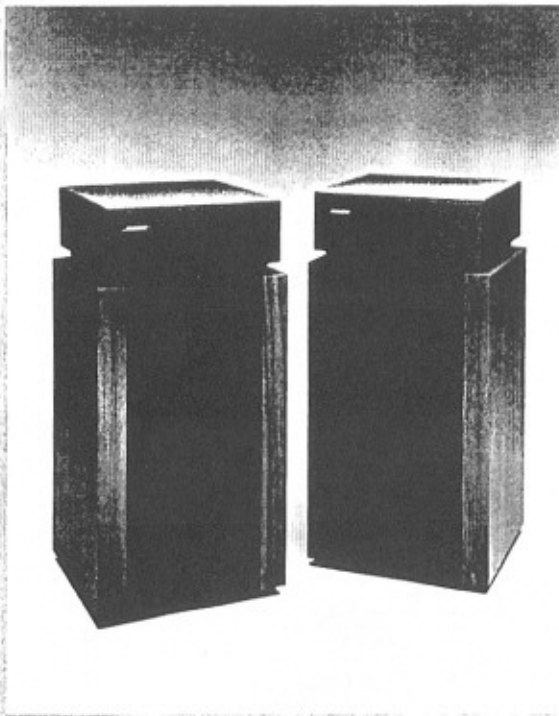


Figure 1. Recommended speaker placement in average-sized rooms!

2. Unpacking

Your 601 system is packaged in two separate cartons marked **Part 1** (left speaker) and **Part 2** (right speaker). Unpack each unit carefully, saving the cartons and all packing materials for later use.

If either speaker appears to be damaged when unpacking, **do not place the damaged speaker into operation.** Repack the speaker in its original carton and notify your authorized Bose dealer immediately.

3. Placement

Unlike conventional speakers, the Bose 601 system is designed to **reflect** sound energy off the walls, floor and ceiling of your listening room. To obtain optimum performance, follow the placement guidelines listed below. Refer to Figure 1.

1. For proper orientation, place the **Part 1** speaker (identified on the rear label) on the **left** side of your listening room. Place the **Part 2** speaker on the **right** side of the room.

2. The most accurate bass reproduction is realized when the speakers are set directly against the wall behind them. However, satisfactory performance can still be obtained with the speakers located up to twelve inches (30 cm) away from the rear reflecting wall.
3. Position the speakers at least eighteen inches (45 cm) from the side walls. Recommended distance is two to five feet (0.6-1.5 m). Large objects (furniture, etc.) should not be placed in front of the speakers.
4. In average-sized listening rooms, the best stereophonic effects result when the speakers are spaced six to twelve feet apart (1.8-3.6 m). However, separation as small as three feet (1m) or as great as fifteen feet (4.5 m) can still give excellent results.
5. A large proportion of the sound energy radiated by your 601 speakers comes through the top of the enclosure. For this reason, **it is important not to block or cover the top grille panels.** Objects more than four inches (10 cm) in diameter should not be placed on top of the speakers.

4. Wire Selection

If the wire connecting the speakers to your amplifier is too small, audible coloration of the sound and/or power loss can occur. The table below specifies the **minimum** gauge of two-conductor wire recommended for various speaker-to-amp distances.

RECOMMENDED WIRE SIZES*

Maximum Length	Wire Gauge
30 feet (9m)	18 (1.5mm ²)
45 feet (14m)	16 (2.5mm ²)
70 feet (21m)	14 (4.0mm ²)

*Based on a maximum frequency response deviation of ± 0.5 dB.

Standard copper zipcord (16- or 18-gauge, available at electrical and hardware stores) can be used for speaker connection. This wire is often color-coded, or else has a ribbed line(s) running along one conductor so that each conductor can be easily identified for proper connection of your speakers.

5. Connection

Follow the next procedure carefully to assure that both 601™ speakers are properly connected to your music system. Refer to Figure 2.

1. Unplug your amplifier or receiver from the power mains before attempting to connect the loudspeakers.
2. Verify that the **Part 1** and **Part 2** speakers are located on the **left** and **right** sides of the listening room, respectively.
3. Slightly separate the conductors at the end of each wire. Strip approximately 1/2 inch (12 mm) of insulation off each conductor.

Figure 2. Speaker connection.

4. Locate the **Part 1** speaker input terminals on the upper rear part of the cabinet. Note that there are **three** terminals marked +, * and -. **Do not connect any wires to the terminal marked ***. This terminal is designed for use with future Bose® high fidelity products and should not be used at this time (see note below).
5. Connect one conductor to the terminal marked - on the left speaker. Connect the other end of the **same** conductor to the terminal marked COM, NEG or - on the left channel of your amplifier. Use the color-coding or ribbed line(s) on the wire to be sure you are using the same conductor.
6. In the same manner, connect the + terminal of the left speaker to the terminal marked POS or + on the left amplifier channel. (If your amplifier or receiver offers a choice of output impedances, use the terminal marked 8 or 8 OHMS.)
7. Repeat steps 4 through 6 above, connecting the **Part 2** (right) speaker to the right channel of your amplifier. Tighten all terminal connections firmly.

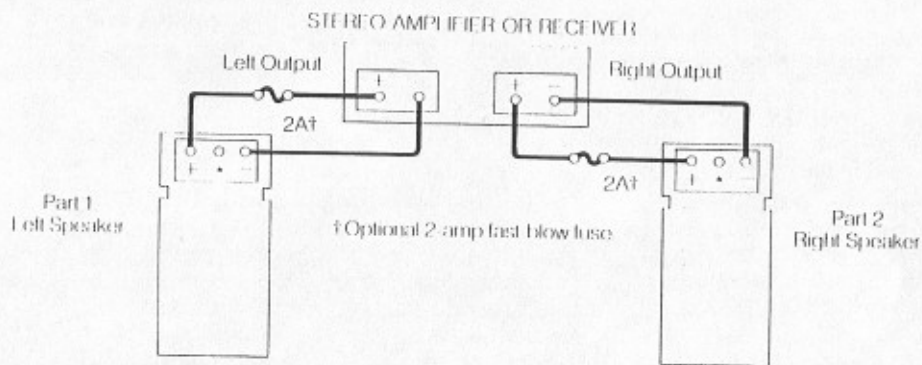
8. Check **very carefully** to be certain that no loose strands of wire are "bridged" across the terminals of either the speakers or the amplifier. **Bridged wires create short circuits which can damage your amplifier.** Repair any loose wire strands **before** plugging in your amplifier or receiver.

6. Phasing Test

If there is a question whether the speakers are connected to your amplifier "in phase" (i.e.; positive to positive, negative to negative), perform this simple test:

1. Set your sound system for MONO (monophonic) reproduction. Be sure the balance control is centered or set to normal.
2. Position the speakers so they are facing each other closely.

NOTE: Do not attempt to use the * terminal on your 601 speakers in conjunction with the * terminal incorporated in the Bose Spatial Control™ Receiver. The Spatial Control™ circuitry in this receiver is designed for use **only** with Bose 901® Series III or IV loudspeakers. Use with 601 speakers will void your warranty.



3. Play music containing deep bass notes through the system. If the speakers are phased correctly, the sound will appear to come from a point between the speakers with full, natural bass response.
4. If the music is not localized between the speakers and/or is lacking in deep bass, reverse the connections to **one** of the speakers and repeat the test.
Check to be sure you are using the connection that produces the most powerful bass.

7. Fusing

Any loudspeaker can be damaged if the amplifier driving it should fail. Damage may also occur by playing the speakers so loudly that they sound distorted. **This can happen even with a low-powered amplifier or receiver.**

Your 601™ speakers incorporate an automatic tweeter protection circuit which guards against certain types of electrical stress. Fusing will provide additional protection, and is recommended when using amplifiers rated at more than 100 watts RMS per channel.

The fuseholders should be inserted into the + (positive) wire connecting each speaker to your amplifier or receiver (see Figure 2). **2-ampere, fast-blow** Buss AGC Series or Littlefuse AG Series fuses are recommended.

A fuse kit containing fuses and holders is available from the Bose® Customer Service Department, The Mountain, Framingham, Massachusetts 01701 for \$5.00. Ask for Part Number 108938-2.

8. Room Acoustics

The acoustics of your listening room can affect the quality of the sound reproduced by your 601 speakers. The following suggestions will help you to realize the full potential of the 601 loudspeaker system.

1. Your 601 system works best when sound energy is allowed to develop "around" the speakers, reflecting off nearby walls and flooring. Hard materials such

as wood, brick, glass, sheetrock and/or heavy paneling generally provide the most effective sound-reflecting surfaces. Sound-absorbent furnishings (heavy drapes, etc.) should be kept away from the immediate vicinity of the speakers.

2. If your listening room contains few furnishings with bare walls and floors, your music may sound unnaturally shrill or "bright." The addition of carpeting, wall hangings and/or drapes usually helps to solve this problem. Scatter these furnishings evenly around the listening area for best results.
3. Rooms filled with heavily stuffed furniture, wall-to-wall carpeting and/or heavy drapes can absorb much of the high-frequency energy radiated by your speakers. Such rooms often make reproduced music sound dull and lifeless. By removing some of the absorbent furnishings, the tonal balance can be improved.
4. If your music appears to be lacking in bass, move the speakers closer to the rear wall and/or nearer to the corners of the listening room. Heavy, "booming" bass can be tamed by moving the speakers away from corners and walls. In all cases, follow the placement guidelines in Section 3 as closely as possible to assure a proper balance of reflected and direct sound energy.
5. Many problems with room acoustics can be solved by judicious use of the tone controls on your amplifier or receiver. Experiment with different settings to achieve a frequency balance that suits the acoustics of your listening room and your personal tastes.

9. Maintenance

The walnut-grain vinyl cabinetry of your 601 speakers can be cleaned by wiping with a soft damp cloth and a mild detergent. The grille requires no special care although it may be carefully vacuumed if necessary.

The 601 speaker employs a one-piece, acoustically transparent grille assembly, attached to the enclosure with snap-type fasteners. **To remove the grille assembly**, gently pry the bottom section away from the cabinet with your fingers. Then lift the folded-over top section off the cabinet. Reverse this procedure to replace the grille. Do not use sharp objects to pry off the grille as this could damage the enclosure finish.

Important: Do not allow liquids to spill through the grille assembly. Also, do not place any object more than 25 pounds (11 kg) on top of the enclosure. This can result in damage not covered by the warranty.

10. In Case Of Difficulty

If you suspect a problem with your 601 speakers, please take the time to determine if the difficulty is in the speakers or in some other part of your music system.

If one speaker sounds less brilliant than the other, make certain that no wires are touching the * terminal on the back of the speaker.

If one speaker sounds defective, do not switch the speaker cables, as this could damage the speaker. Disconnect the defective speaker's wire at the amplifier output and reconnect it to the amplifier channel that is operating correctly. If the speaker that sounded defective now plays properly, the problem is not in the speaker or wiring.

If trouble appears in both speakers, connect the speakers to another amplifier or receiver that is operating properly. If the speakers now operate correctly, the problem is not in the speakers.

If trouble persists in one or both speakers, contact your authorized Bose dealer. He will verify any defects and arrange for service by a factory-authorized service agency or by the Bose factory. Bose Corporation will make very effort to remedy any problem within the terms of the warranty at minimum inconvenience to you.

Free Manuals Download Website

<http://myh66.com>

<http://usermanuals.us>

<http://www.somanuals.com>

<http://www.4manuals.cc>

<http://www.manual-lib.com>

<http://www.404manual.com>

<http://www.luxmanual.com>

<http://aubethermostatmanual.com>

Golf course search by state

<http://golfingnear.com>

Email search by domain

<http://emailbydomain.com>

Auto manuals search

<http://auto.somanuals.com>

TV manuals search

<http://tv.somanuals.com>