



Illustrated Parts List

Model Series

09A400

TYPE NUMBERS
0201 through 0522.

TABLE OF CONTENTS

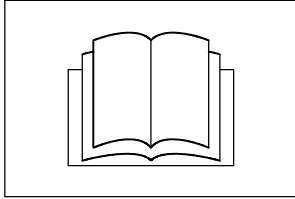
Blower Housing/Shrouds	5
Camshaft	2
Carburetor	4
Carburetor Overhaul Kit	4
Controls	3
Crankcase Cover/Sump	3
Crankshaft	2
Cylinder	2
Cylinder Head	2
Exhaust System	3
Flywheel	5
Gasket Set - Engine	3
Gasket Set - Valve	3
Governor Spring	3
Ignition	5
Lubrication	3
Operator's Manual	2
Piston/Rings/Connecting Rod	2
Rewind Starter	5
Warning Label	2



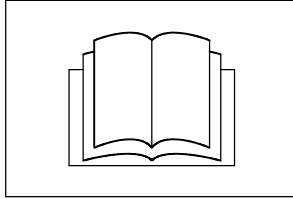
PRINTED IN U.S.A.

COPYRIGHT by BRIGGS & STRATTON CORPORATION
All rights reserved. No part of this material may be reproduced or transmitted, in any form or by any means, electronic or mechanical, including photocopying, recording or by any information storage and retrieval system, without permission in writing from Briggs & Stratton Corporation.

1058 OPERATOR'S MANUAL



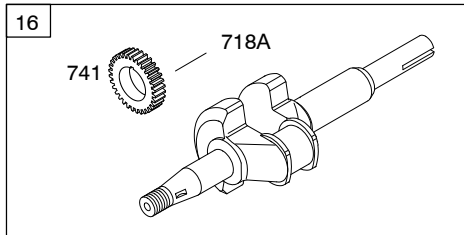
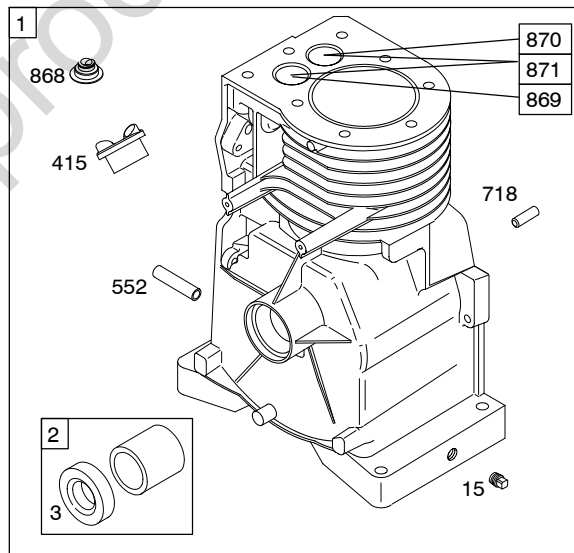
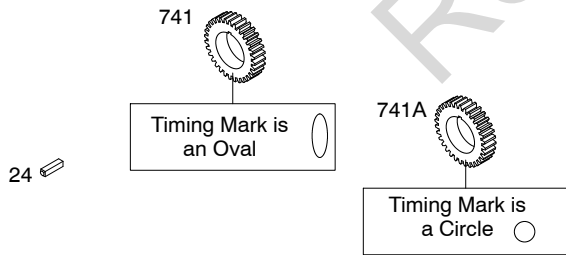
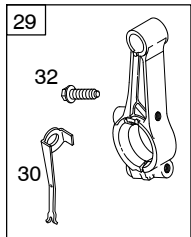
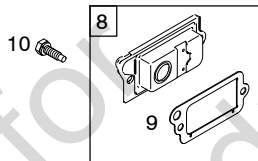
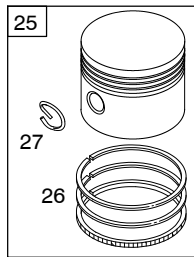
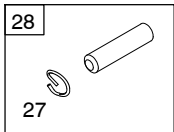
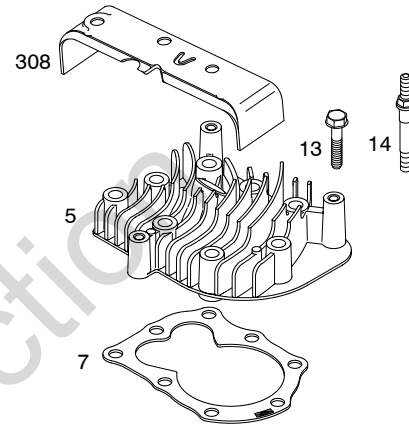
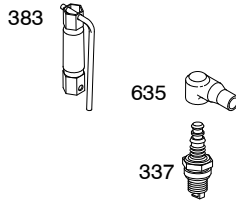
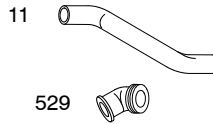
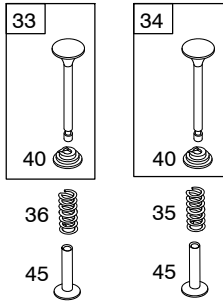
1330 REPAIR MANUAL



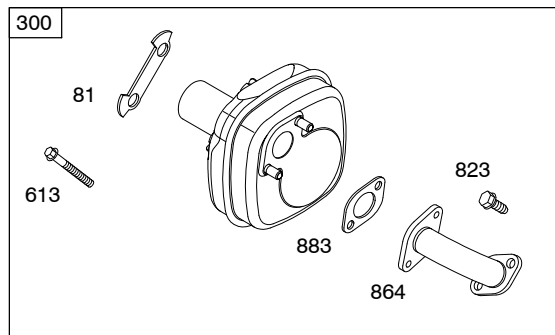
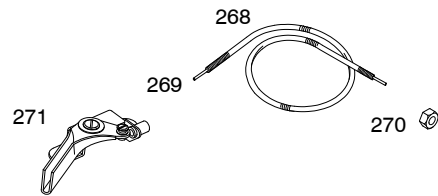
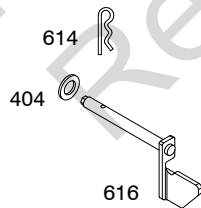
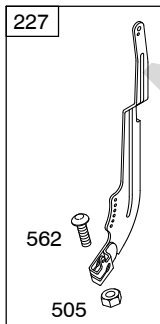
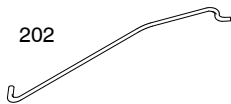
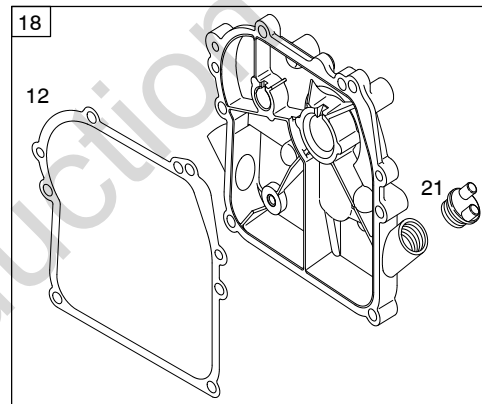
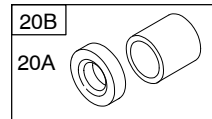
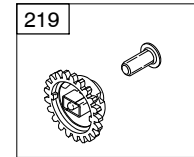
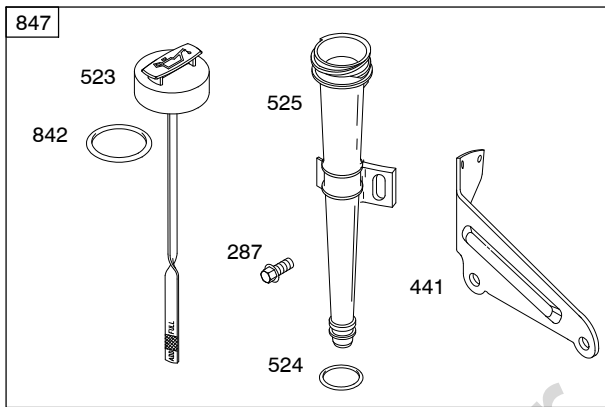
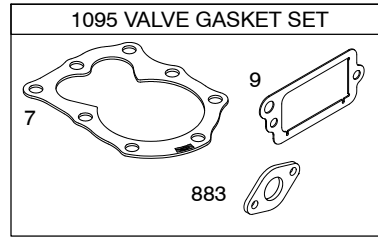
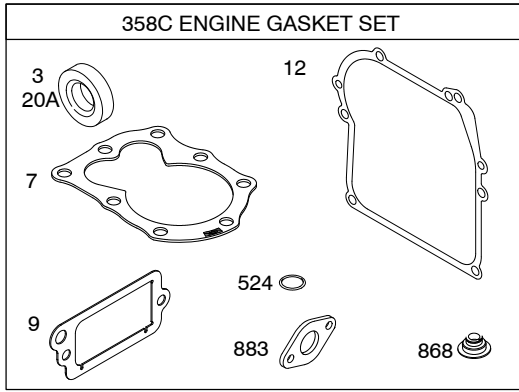
1319 WARNING LABEL

WARNING	
	Read and follow Operating Instructions before running engine.
	Gasoline is flammable. Allow engine to cool at least 2 minutes before refueling.
	Engines emit carbon monoxide, DO NOT run in enclosed area.
	Muffler area temperature may exceed 150°F. Do not touch hot parts.

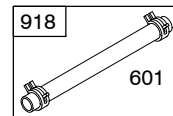
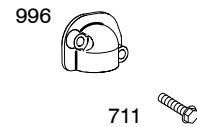
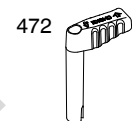
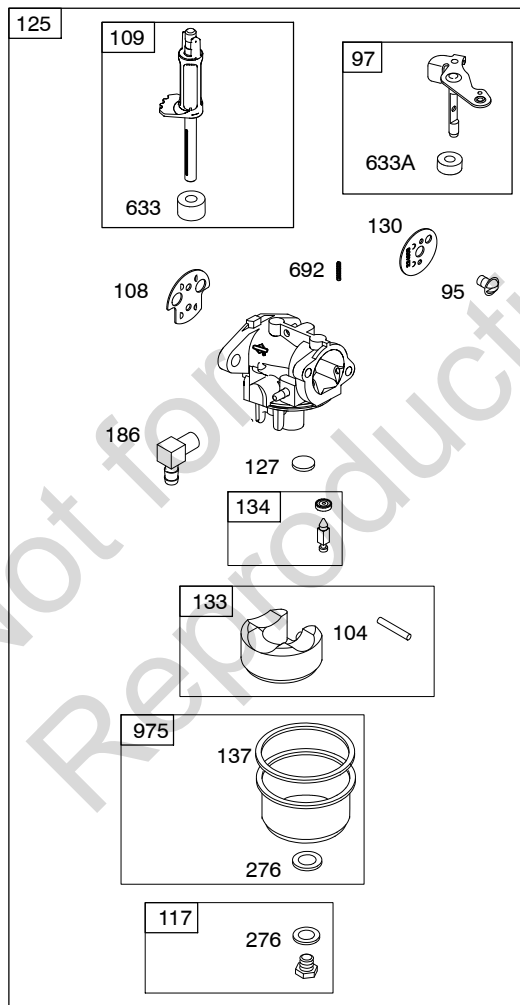
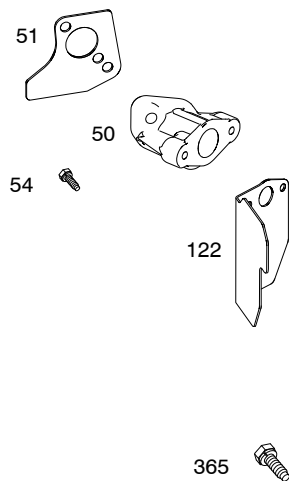
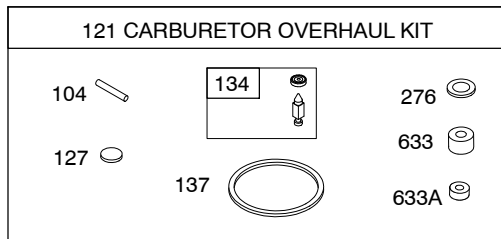
REQUIRED when replacing parts with warning labels affixed.



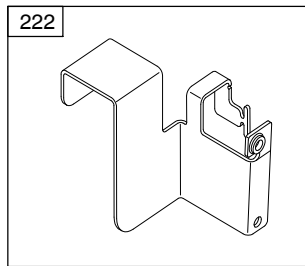
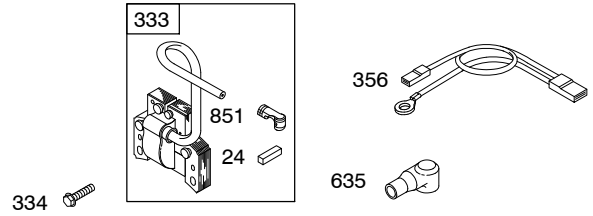
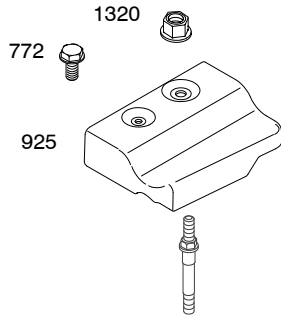
Illustrations cover a range of engines. Parts shown without corresponding text may not be used on your specific engine.
 5652 Assemblies include all parts shown in frames. 04/08/2009



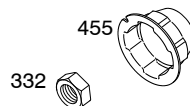
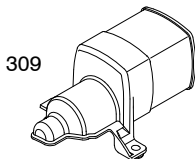
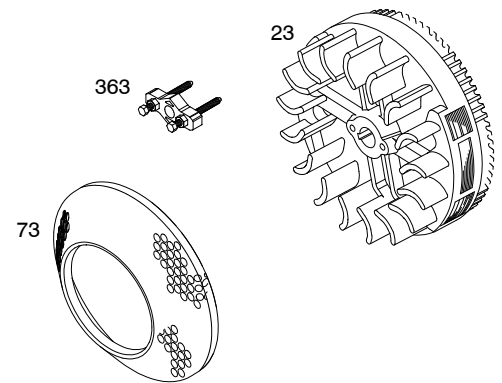
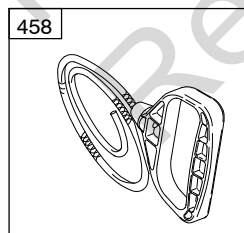
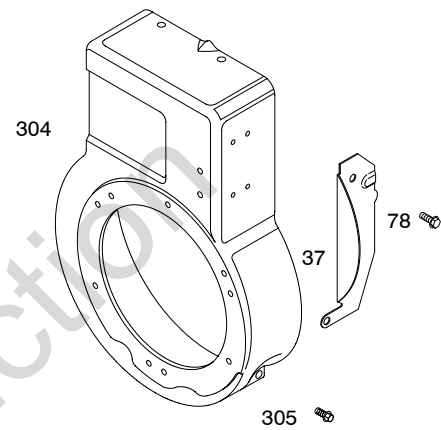
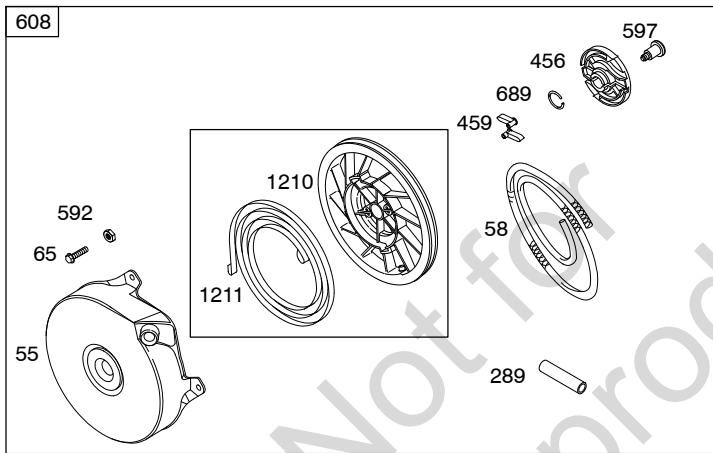
Illustrations cover a range of engines. Parts shown without corresponding text may not be used on your specific engine.
 5652 Assemblies include all parts shown in frames. 04/08/2009



Illustrations cover a range of engines. Parts shown without corresponding text may not be used on your specific engine.
 5652 Assemblies include all parts shown in frames. 04/08/2009



1036 EMISSIONS LABEL



Illustrations cover a range of engines. Parts shown without corresponding text may not be used on your specific engine. Assemblies include all parts shown in frames. 5652 04/08/2009

09A400

REF. NO.	PART NO.	DESCRIPTION	REF. NO.	PART NO.	DESCRIPTION	REF. NO.	PART NO.	DESCRIPTION
1	791356	Cylinder Assembly (Used After Code Date 07090300). ----- Note ----- 699088 Cylinder Assembly (Used Before Code Date 07090400).	16	793156	Crankshaft	26	795690	Ring Set (Standard)
2	399269	Kit-Bushing/Seal (Magneto Side)	18	699096	Cover-Crankcase			(Used After Code Date 08021200). ----- Note ----- 795132 Ring Set (Standard)
3	299819S	Seal-Oil (Magneto Side)	20A	299819S	Seal-Oil (PTO Side)			(Used After Code Date 07072900 and Before Code Date 08021300). 790909 Ring Set (Standard)
5	790169	Head-Cylinder	20B	691356	Seal-Oil (PTO Side)			(Used After Code Date 05051800 and Before Code Date 07073000). 695169 Ring Set (Standard)
7	698717	Gasket-Cylinder Head	21	281658S	Cap-Oil Fill			(Used Before Code Date 05051900). 795688 Ring Set (.020" Oversize)
8	791779	Breather Assembly (Used After Code Date 05102400). ----- Note ----- 699448 Breather Assembly (Used Before Code Date 05102500).	22	691129	Screw (Crankcase Cover/Sump) ----- Note ----- 691128 Screw (Crankcase Cover/Sump)			(Used After Code Date 08021200). 795134 Ring Set (.020" Oversize)
9	695890	Gasket-Breather	23	699573	Flywheel Used on Type No(s). 0201, 0202, 0203, 0267, 0522.			(Used After Code Date 05051800 and Before Code Date 08021300). 695172 Ring Set (.020" Oversize)
10	691666	Screw (Breather Assembly)	24	222698S	Key-Flywheel			(Used Before Code Date 05051900). ----- Note ----- 790908 Piston Assembly (Standard)
11	691246	Tube-Breather (Used Before Code Date 03061200).	25	795691	Piston Assembly (Standard) (Used After Code Date 08021200).			(Used After Code Date 08021200). 795131 Piston Assembly (Standard)
12	692218	Gasket-Crankcase (.015" Thick) (Standard) ----- Note ----- 270895 Gasket-Crankcase (.005" Thick) 270896 Gasket-Crankcase (.009" Thick)						(Used After Code Date 07072900 and Before Code Date 08021300). 790908 Piston Assembly (Standard) (Used Before Code Date 07073000). 795689 Piston Assembly (.020" Oversize) (Used After Code Date 07072900). 792532 Piston Assembly (.020" Oversize) (Used After Code Date 05051800 and Before Code Date 07073000).
13	691640	Screw (Cylinder Head)				27	691588	Lock-Piston Pin
14	690361	Stud (Cylinder Head) (Use in Position 8)				28	699659	Pin-Piston (Standard) (Used After Code Date 05051800). ----- Note ----- 298909 Pin-Piston (Standard)
15	691686	Plug-Oil Drain						(Used Before Code Date 05051900). 298908 Pin-Piston (.005" Oversize) (Used Before Code Date 05051900).

Illustrations cover a range of engines. Parts shown without corresponding text may not be used on your specific engine.
5652-6 Assemblies include all parts shown in frames. 04/08/2009

REF. NO.	PART NO.	DESCRIPTION	REF. NO.	PART NO.	DESCRIPTION	REF. NO.	PART NO.	DESCRIPTION
29	699655	Rod-Connecting (Standard)	127	694468	Plug-Welch	305	692198	Screw (Blower Housing)
30	691719	Dipper-Connecting Rod	130	691203	Valve-Throttle	306	690461	Shield-Cylinder
32	691664	Screw (Connecting Rod)	133	398187	Float-Carburetor	307	691660	Screw (Cylinder Shield)
33	497871	Valve-Exhaust	134	398188	Kit-Needle/Seat	308	690462	Cover-Cylinder Head
34	296677	Valve-Intake	137	693981	Gasket-Float Bowl	309	699098	Motor-Starter Used on Type No(s). 0201, 0202, 0522.
35	690520	Spring-Valve (Intake)	186	692317	Connector-Hose			----- Note -----
36	690520	Spring-Valve (Exhaust)	188	691637	Screw (Control Bracket)			699455 Motor-Starter Used on Type No(s). 0203.
37	690463	Guard-Flywheel Used on Type No(s). 0267.	202	692351	Link-Mechanical Governor	332	690662	Nut (Flywheel)
40	692194	Retainer-Valve	209	691858	Spring-Governor (Yellow)	333	793281	Armature-Magneto
45	691762	Tappet-Valve	219	496786	Gear-Governor	334	691061	Screw (Magneto Armature)
46	691998	Camshaft	220	691724	Washer (Governor Gear)	337	802592S	Plug-Spark Used on Type No(s). 0202E2, 0522.
50	691922	Manifold-Intake	222	698681	Bracket-Control			----- Note -----
51	273113S	Gasket-Intake	227	691412	Lever-Governor Control			697451 Plug-Spark Used on Type No(s). 0201, 0202E1, 0202E3, 0203, 0267.
54	691689	Screw (Intake Manifold)	232	691846	Spring-Governor Link	356	699576	Wire-Stop
55	692144	Housing-Rewind Starter	268	691025	Casing-Control Wire (Cut To Required Length)	358C	794209	Gasket Set-Engine
58	697316	Rope-Starter (88 5/8" Long)	269	691026	Wire-Control (Cut To Required Length)	363	19069	Puller-Flywheel
60	691915	Grip-Starter Rope	270	691027	Nut (Control Wire Casing)	365	691688	Screw (Carburetor)
65	690837	Screw (Rewind Starter)	271	691028	Lever-Control	383	89838S	Wrench-Spark Plug
73	699850	Screen-Rotating	276	271716	Washer-Sealing	404	691691	Washer (Governor Crank)
78	690364	Screw (Flywheel Guard)	287	695733	Screw (Dipstick Tube)	415	693463	Plug (Cylinder)
81	691729	Lock-Muffler Screw	289	230228S	Pin-Starter Grip	441	690484	Bracket-Oil Fill
95	691636	Screw (Throttle Valve)	300	699565	Muffler	455	691236	Cup-Flywheel Used on Type No(s). 0201, 0202, 0203, 0267, 0522.
97	496861	Shaft-Throttle	304	699093	Housing-Blower Used on Type No(s). 0201, 0202, 0203, 0522.	456	692299	Plate-Pawl Friction
104	691242	Pin-Float Hinge			----- Note -----	458	699334	Kit-Handle/Rope
108	695807	Valve-Choke			694144 Housing-Blower Used on Type No(s). 0267.	459	281505S	Pawl-Ratchet
109	695729	Shaft-Choke						
117	498978	Jet-Main (Standard)						
121	498260	Kit-Carburetor Overhaul						
122	699086	Spacer-Carburetor						
125	699103	Carburetor						

Illustrations cover a range of engines. Parts shown without corresponding text may not be used on your specific engine.
5652-7 Assemblies include all parts shown in frames. 04/08/2009

09A400

REF. NO.	PART NO.	DESCRIPTION	REF. NO.	PART NO.	DESCRIPTION	REF. NO.	PART NO.	DESCRIPTION
472	791534	Knob-Choke Shaft (Used After Code Date 05042800).	633A	691321	Seal-Choke/Throttle Shaft (Throttle)	870	691702	Seat-Valve (Exhaust)
		----- Note -----	635	66538S	Boot-Spark Plug	871	262001	Bushing-Valve Guide
		699100 Knob-Choke Shaft (Used Before Code Date 05042900).	689	691855	Spring-Friction	883	691880	Gasket-Exhaust
505	691251	Nut (Governor Control Lever)	692	690572	Spring-Detent	918	791880	Hose-Vacuum
523	791205	Dipstick	711	699470	Screw (Carburetor Shield)	925	699097	Cover-Linkage
524	691876	Seal-Dipstick Tube	718	690959	Pin-Locating (Cylinder)	975	493640	Bowl-Float
525	699090	Tube-Dipstick	718A	499047	Pin-Locating (Crankshaft)	976	394281	Primer-Carburetor
529	692187	Grommet	741	791124	Gear-Timing (Timing Mark is an Oval {O})	996	699099	Shield-Carburetor
552	690508	Bushing-Governor Crank			(Used After Code Date 05013000).	1036		Label-Emissions (Available From A Briggs & Stratton Authorized Dealer)
562	92613	Bolt (Governor Control Lever)	741A	691805	Gear-Timing (Timing Mark is a Circle {O})	1058	277104	Manual-Operator's ----- Note -----
592	690800	Nut (Rewind Starter)			(Used Before Code Date 05013100).			277614 Manual-Operator's Used on Type No(s). 0522.
597	691696	Screw (Pawl Friction Plate)	772	691003	Screw (Linkage Cover)	1095	498526	Gasket Set-Valve
601	791850	Clamp-Hose	823	699554	Screw (Muffler Adapter)	1210	499901	Pulley/Spring Assembly (Pulley)
608	699105	Starter-Rewind Used on Type No(s). 0201, 0202, 0203, 0267, 0522.	842	691031	Seal-O Ring (Dipstick Tube)	1211	499901	Pulley/Spring Assembly (Spring)
613	691413	Screw (Muffler)	847	791204	Dipstick/Tube Assembly	1320	691105	Nut (Linkage Cover)
614	691620	Pin-Cotter	851	493880S	Terminal-Spark Plug	1319	794467	Label-Warning
616	692016	Crank-Governor	864	699568	Adapter-Muffler	1330	270962	Repair Manual
633	693867	Seal-Choke/Throttle Shaft (Choke)	868	697338	Seal-Valve			
			869	691701	Seat-Valve (Intake)			

Illustrations cover a range of engines. Parts shown without corresponding text may not be used on your specific engine.

5652-8

Assemblies include all parts shown in frames.

04/08/2009

Not for
Reproduction

Not for
Reproduction

Not for
Reproduction

Not for
Reproduction



Free Manuals Download Website

<http://myh66.com>

<http://usermanuals.us>

<http://www.somanuals.com>

<http://www.4manuals.cc>

<http://www.manual-lib.com>

<http://www.404manual.com>

<http://www.luxmanual.com>

<http://aubethermostatmanual.com>

Golf course search by state

<http://golfingnear.com>

Email search by domain

<http://emailbydomain.com>

Auto manuals search

<http://auto.somanuals.com>

TV manuals search

<http://tv.somanuals.com>