

BRIGGS & STRATTON

®

**5550
WATTS**

Illustrated Parts List

Questions? Help is just a moment away!

Vous avez des questions? Vous n'avez pas besoin
d'aller loin pour trouver de l'aide!

Preguntas? La ayuda es justa un momento lejos!

Call: **Generator Helpline**

Appelez: **Ligne d'assistance de Générateur**

Llame: **Línea Directa del Generador**

1-800-743-4115 M-F 8-5 CT

BRIGGSandSTRATTON.COM

**Model / Modèle / Modelo
030324**

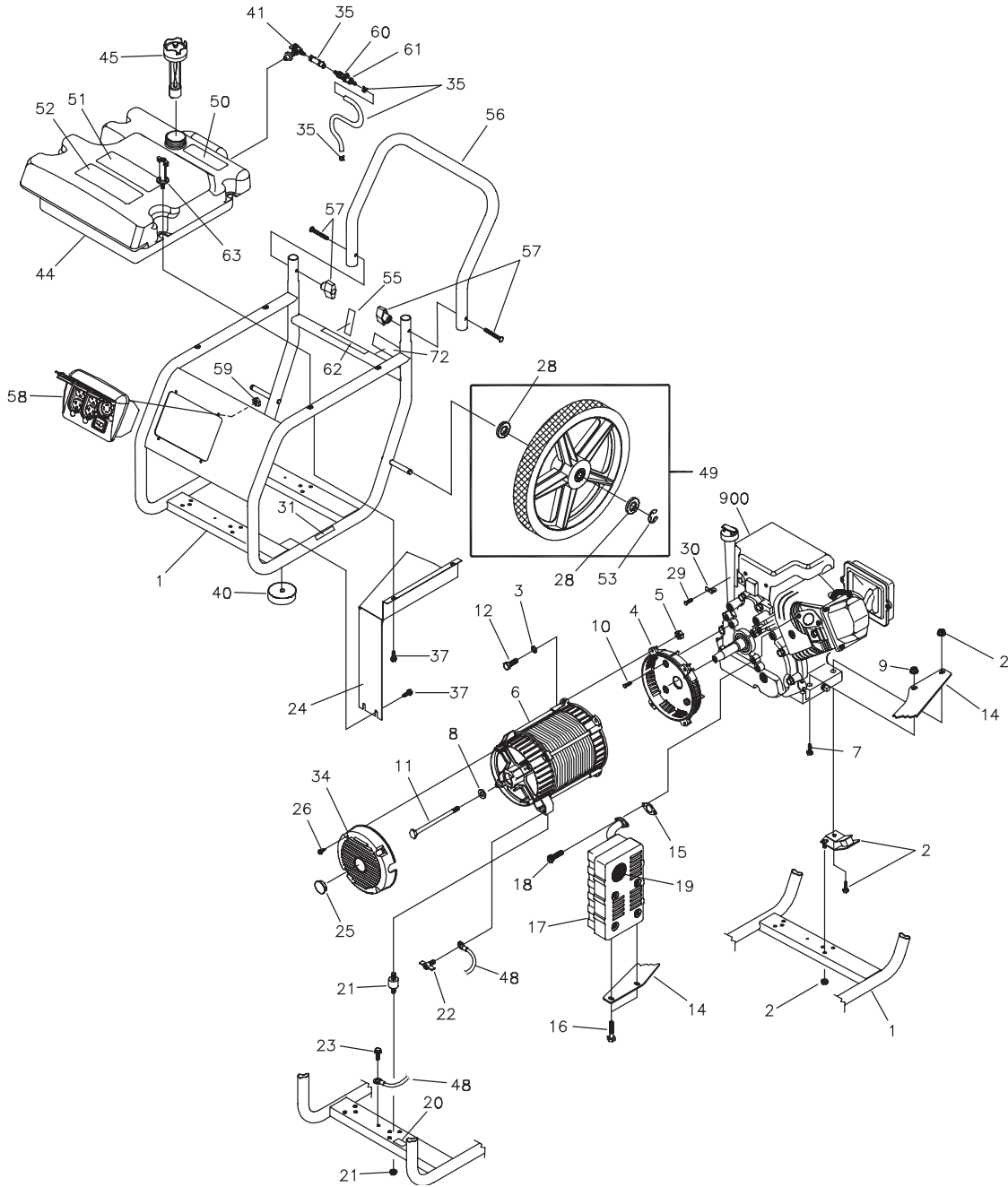


**BRIGGS & STRATTON POWER PRODUCTS GROUP, LLC
JEFFERSON, WISCONSIN, U.S.A.**

Manual No. 199718A Revision C (03/19/2007)



EXPLODED VIEW - MAIN UNIT



Copyright © 2007 Briggs & Stratton Power Products Group, LLC. All rights reserved. No part of this material may be reproduced or transmitted in any form by any means without the express written permission of Briggs & Stratton Power Products Group, LLC.



EXPLODED VIEW - PARTS LIST

Item	Part #	Description	Item	Part #	Description
1	J197129GS	KIT, Frame	44	196181GS	ASSY., Tank, Fuel, 5 Gallon (includes items 41, 50, 51 & 52)
2	194150GS	KIT, Vibration Mount 45°	45	189420GS	CAP, Fuel Gauge
3	*	WASHER, M8 Lock	48	195373GS	WIRE, Ground
4	190220GS	HOUSING, Engine Adapter	49	203650GS	KIT, Wheel
5	*	NUT, Hex M8 - 1.25	50	188333GS	DECAL, Fuel Tank
6	NSP	ASSY., Alternator (see page 5)	51	194799GS	DECAL, Danger
7	*	TPHMS, M8 - 1.25 x 35	52	189235GS	DECAL, Start Instructions
8	96796GS	WASHER, M8 Flat	53	192050GS	E-RING
9	67989GS	NUT, M8 Flange Serrated	55	197798GS	DECAL, Shut-Off, Fuel
10	190274BGS	SBHCS, 3/8-16 x 1.0 Lg	56	J194907GS	HANDLE
11	47480GS	HHCS, 5/16-24 x 7	57	189456GS	KIT, Handle Fastening
12	*	HHCS, M8 1.25 x 25	58	197641GS	ASSY, Control Panel
14	189009GS	BRACKET, Muffler	59	*	NUT, Palnut 3/16"
15	695398	GASKET, Exhaust	60	189117GS	QUICK CONNECT, Fuel, 1/4 Barb
16	*	HCS, M6 1.0 x 12	61	192695GS	QUICK CONNECT, Fuel, 1/4 Barb
17	189008GS	MUFFLER	62	201079GS	DECAL, CO Warning
18	*	SHCS, 5/16 - 18 x 7/8"	63	189114GS	KNOB, Fuel Tank Hold Down
19	83083GS	SCREEN, Spark Arrest	72	192480GS	DECAL, Warning, Fuel Line
20	B4986GS	DECAL, Ground, Green			Disconnect
21	194153GS	KIT, Vibration Mount	900	§	ENGINE
22	86494GS	SCREW, Wing, M6 1 x 16			
23	195094GS	SCREW, 10-16 x .68, Self Drill			
24	192793GS	SHIELD, Heat			
25	191190GS	CAP			
26	74908GS	SCREW, M5-0.8 x 10 Taptite			
28	*	WASHER, Flat 1/2			
29	94929GS	SCREW, Hex Wash HD			
30	226846	BRACKET, Oil Fill Tube			
31	196830GS	DECAL, Hot Muffler			
34	195422GS	COVER, RBC, Plastic w/Cap			
35	199838GS	KIT, Fuel Hose w/clamps (cut to fit)			
37	192376GS	SCREW, 12 - 24 x 1/2 THD Forming			
40	192310GS	KIT, Vibe Mount			
41	192980GS	KIT, Valve Tank			

Parts Not Illustrated

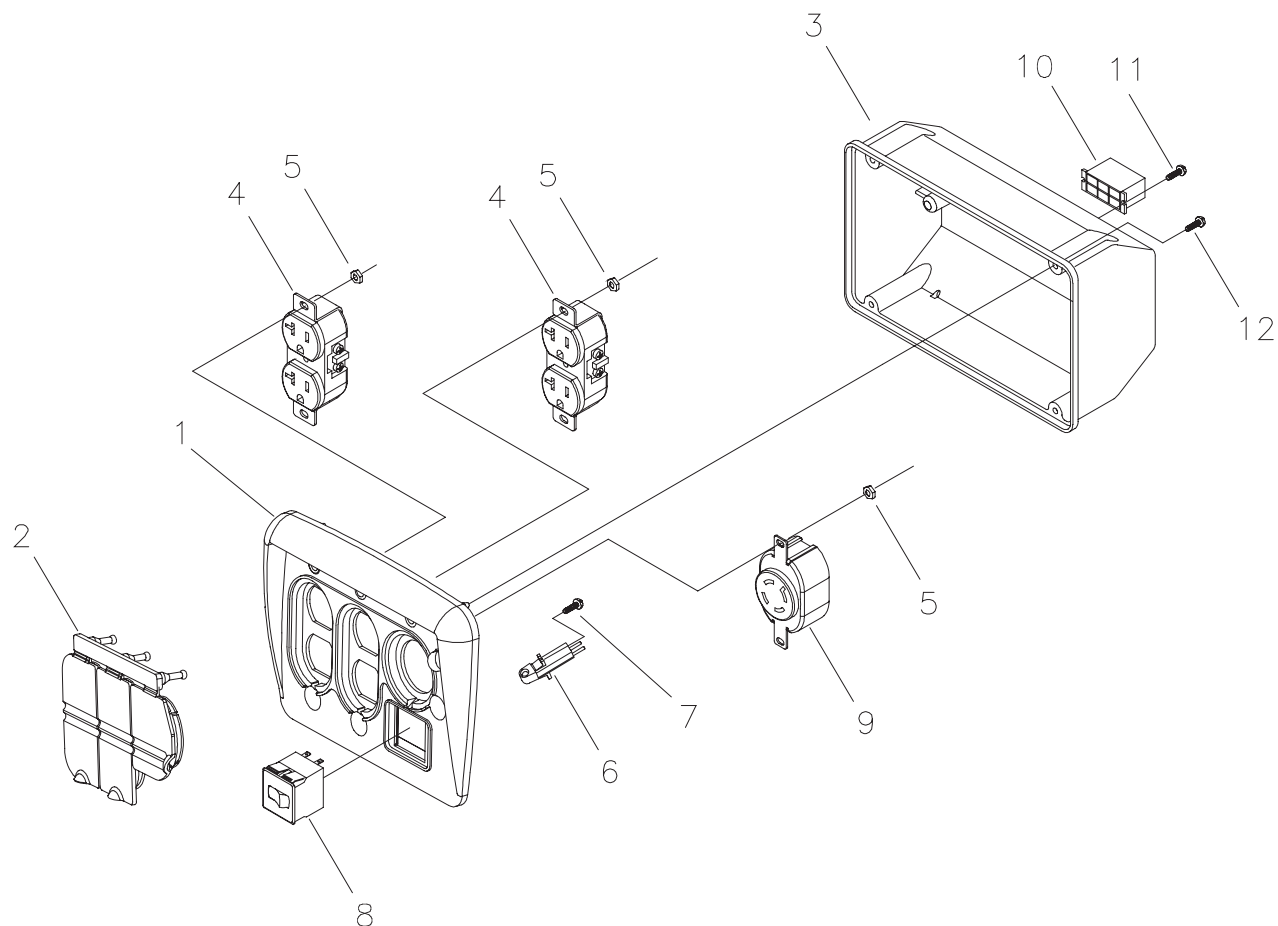
BB3061GS	OIL BOTTLE
197474GS	CORDSET, Storm
MS3430	MANUAL, Engine
199718GS	MANUAL, Operator's
202180GS	DECAL, Family, CA EVP
186208GS	STABILIZER, 1oz Tube
197581GS	TRAY, Overflow, Fuel
198419GS	KIT, Decals Srv

* - Items without part numbers are common fasteners and are available at your local hardware store.

§ - Contact Engine Manufacturer



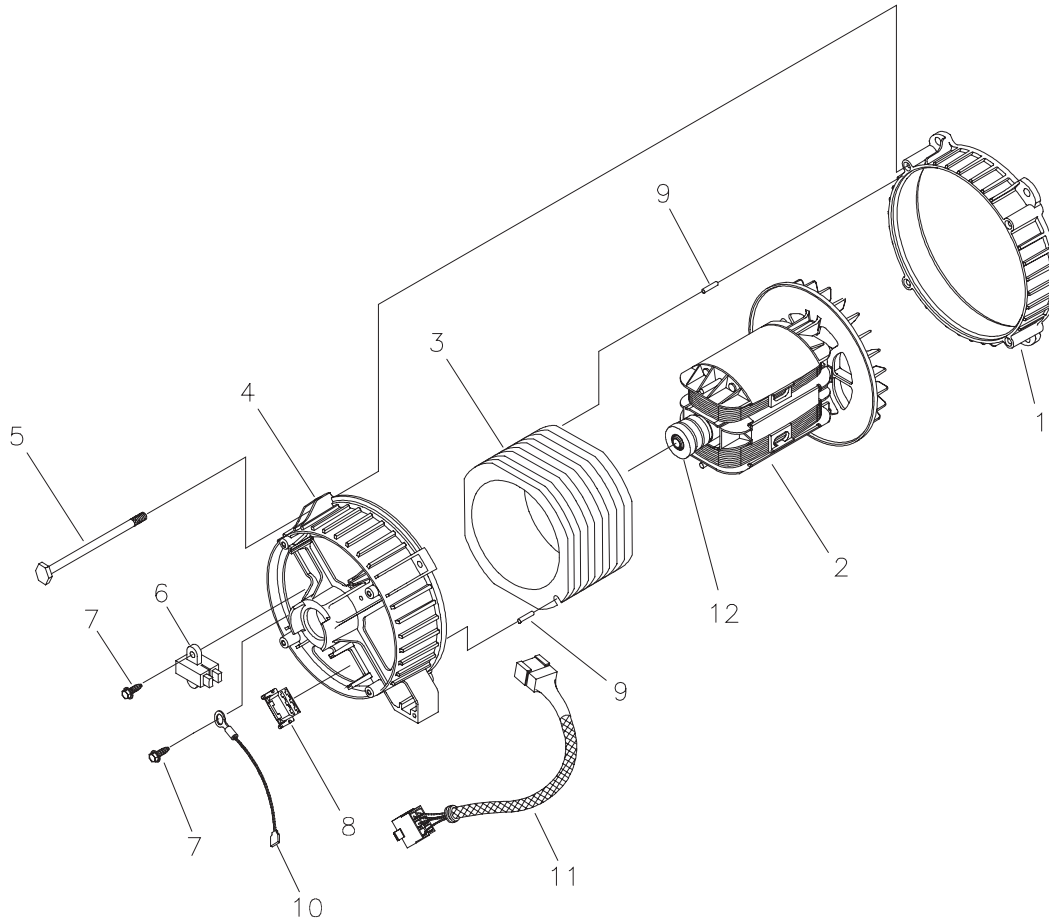
EXPLODED VIEW AND PARTS LIST - CONTROL PANEL



Item	Part #	Description
1	197471GS	PANEL, Control
2	197472GS	COVER, Outlet Flip
3	188890GS	COVER, Back Panel
4	197731GS	OUTLET, 120V, 15/20A Dplx
5	189165GS	NUT, 5/32 Pal
6	197729GS	MODULE, Led
7	197958GS	SCREW, 3 x 6, Tapping
8	202030GS	BREAKER, Circuit, 20A
	191481GS	BOOT, Breaker Circuit (not shown)
9	43437GS	OUTLET, 120/240V, 30A
10	22694GS	HOUSING, Rcptcl, 6 Pin
11	82308GS	SCREW, 3 x 18, Tapping
12	192241GS	SCREW, 3.5 x 14, Tapping



EXPLODED VIEW AND PARTS LIST - ALTERNATOR



Item	Part #	Description
1	186059GS	ADAPTER, Mounting, Alternator
2	191043GS	ASSY, Rotor (Includes Item 12)
3	191042AGS	STATOR
4	186060GS	RBC, with O-Ring (p/n 189197GS)
5	86308CGS	HHCS, M6 - 1.0 x 130 SEMS
6	91825GS	ASSY, Holder, Rectifier/Brush
7	66849GS	TAPTITE, M5 - 0.8 x 16
8	22694GS	RECEPTACLE, 6 pin
9	81917GS	PIN, Roll, 4mm x 10
10	193428AGS	ASSY, Wire, Ground
11	194274GS	HARNESS, Wire, Power
12	65791GS	BEARING

Free Manuals Download Website

<http://myh66.com>

<http://usermanuals.us>

<http://www.somanuals.com>

<http://www.4manuals.cc>

<http://www.manual-lib.com>

<http://www.404manual.com>

<http://www.luxmanual.com>

<http://aubethermostatmanual.com>

Golf course search by state

<http://golfingnear.com>

Email search by domain

<http://emailbydomain.com>

Auto manuals search

<http://auto.somanuals.com>

TV manuals search

<http://tv.somanuals.com>