



Home Generator Systems

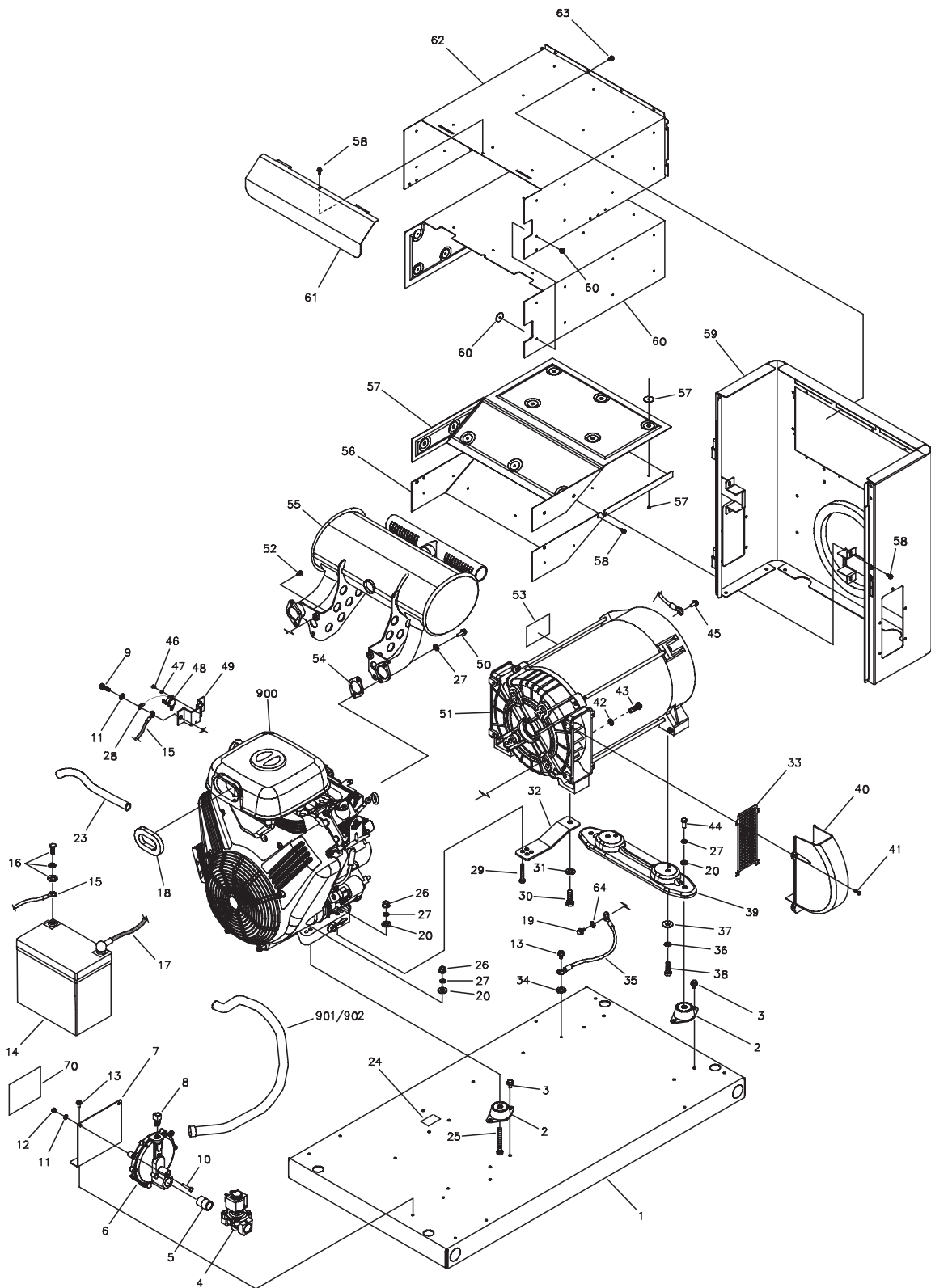
Illustrated Parts List

**Model
040277**

**18000 Rated Watts
Home Generator System**

Manual No. 202827A Rev. D (03/31/2008)

Exploded View - Main Unit

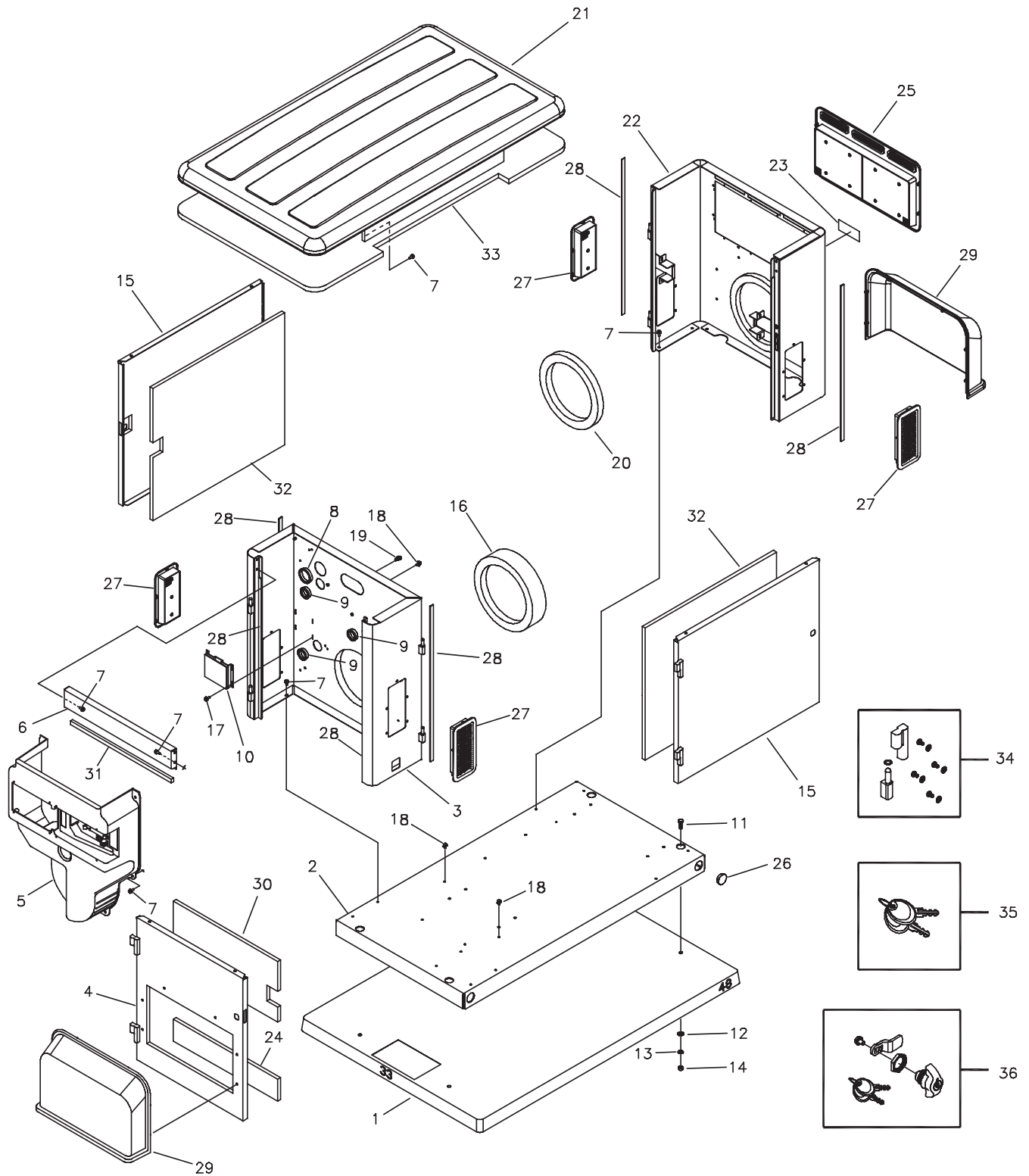


Copyright © 2008 Briggs & Stratton Power Products Group, LLC. All rights reserved. No part of this material may be reproduced or transmitted in any form by any means without the express written permission of Briggs & Stratton Power Products Group, LLC.

Illustrated Parts List - Main Unit

| Item | Part # | Description | Item | Part # | Description |
|------|------------|--|--|----------|---|
| 1 | AA203030GS | BASE, Mounting | 48 | 186205GS | SWITCH, Oil Temp |
| 2 | 187594GS | MOUNT, Vibration | 49 | 194699GS | PLATE, Switch Oil Temp |
| 3 | 24910GS | HHS, Trilobular 5/16 - 18 x 1/2 | 50 | 809743 | SCREW |
| 4 | 194683GS | SOLENOID, Gas Fuel | 51 | NSP | ASSY, Alternator (see page 7) |
| 5 | 194829GS | FITTING, Coupling | 52 | 692062 | SCREW |
| 6 | 194830GS | REGULATOR | 53 | 193506GS | DECAL, Caution Hot Surface |
| 7 | 195936GS | BRACKET, Mounting Solenoid | 54 | 809872 | GASKET |
| 8 | 202382GS | FITTING, 3/4 Flare to 3/8 NPT | 55 | 202885GS | MUFFLER |
| 9 | * | HHCS, M6 - 1.0 x 16 | 56 | 202884GS | BASE, Muffler Box |
| 10 | * | HHCS, M6 - 1.0 x 30 | 57 | 203533GS | KIT, Insulation, Muffler Box Base |
| 11 | * | WASHER, 1/4 Lock | 58 | 56893GS | CRIMPTITE, 10 - 24 x 1/2 |
| 12 | * | NUT, M6 - 1.0 | 59 | 203407GS | ASSY, Bulkhead, Alternator End w/Insulation |
| 13 | B4300GS | HHS, Trilobular, 1/4 - 20 x 1/2 | 60 | 203534GS | KIT, Insulation, Muffler Box Top |
| 14 | 194818GS | BATTERY | 61 | 194682GS | COLLECTOR, Muffler Box |
| 15 | 185939UGS | WIRE-A, Black | 62 | 202883GS | BOX, Muffler Top |
| 16 | 198913GS | KIT, Battery Hardware | 63 | 192445GS | SCREW, 10 - 32 x 5/8 |
| 17 | 198593DGS | WIRE-A, Red | 64 | * | WASHER, M6 Shakeproof |
| 18 | 202958GS | TUBE, Air Cleaner | 70 | 205397GS | DECAL, Requirements, Fuel |
| 19 | B4995GS | HHS, Trilobular, 1/4-20 x 7/8 | 900 | § | ENGINE |
| 20 | * | WASHER, Flat 5/16 - M8 | 901 | 843644 | FUEL HOSE |
| 23 | 1723165SM | HOSE, Oil Drain | 902 | 843438 | CLAMP |
| 24 | 186649GS | DECAL, Oil Drain | Items Not Illustrated | | |
| 25 | * | HHCS, 5/16 - 18 x 2.5 Full Thread | 203420GS | | MANUAL, Install |
| 26 | * | NUT, 5/16 - 18 | 203421GS | | MANUAL, Operator's |
| 27 | * | WASHER, Lock 5/16 - M8 | MS3483 | | MANUAL, Engine |
| 28 | 186790CGS | WIRE | 203408GS | | KIT, Manual/Accessory, HGS |
| 29 | * | HHCS, 5/16 - 18 x 2" | 203374GS | | PAINT, Touchup, HGS, Continuum Charcoal |
| 30 | * | HHCS, M12 - 1.75 x 35 | 198811GS | | PAINT, Touchup, Metallic Silver 1/2 oz Bottle |
| 31 | * | WASHER, M12 | B3518GS | | CAP, Funnel Oil Bottle |
| 32 | B194685GS | SUPPORT, Engine/Alternator, Black | 202295GS | | HOSE, Flex |
| 33 | 202922GS | SCREEN | 198866GS | | KIT, Led Remote |
| 34 | * | WASHER, Shakeproof Ext. M6-1/4 | 204022GS | | KIT, Decals, Service |
| 35 | 185939WGS | WIRE, Ground | Optional Accessories | | |
| 36 | * | WASHER, 3/8 Lock | 199475GS | | PAINT, Touchup, Spray, Silver, 12oz |
| 37 | * | WASHER, Flat, 3/8 - M10 | 203417GS | | PAINT, Touchup, Spray, Continuum Charcoal, 12oz |
| 38 | * | HHCS, 3/8 - 16 x 1 | 6030 | | KIT, Cold Weather (Includes Battery and Oil Warmers) |
| 39 | B198896GS | BRACKET, Mounting Alternator, Black | * - Items without part numbers are common fasteners and are available at local hardware stores. | | |
| 40 | 202761GS | DUCT, Air | § - Contact Engine Manufacturer | | |
| 41 | * | SCREW, M5.8 x 10, Taptite | | | |
| 42 | * | WASHER, Lock 3/8 | | | |
| 43 | * | SHCS, 3/8 - 16 x 1-1/4 | | | |
| 44 | * | HHCS, 5/16 - 18 x 3/4 | | | |
| 45 | B4300GS | HHS, Trilobular, 1/4 - 20 x 1/2 | | | |
| 46 | * | PPHMS, 4-40 x 0.19 | | | |
| 47 | * | WASHER, Lock #4 | | | |

Exploded View - Enclosure

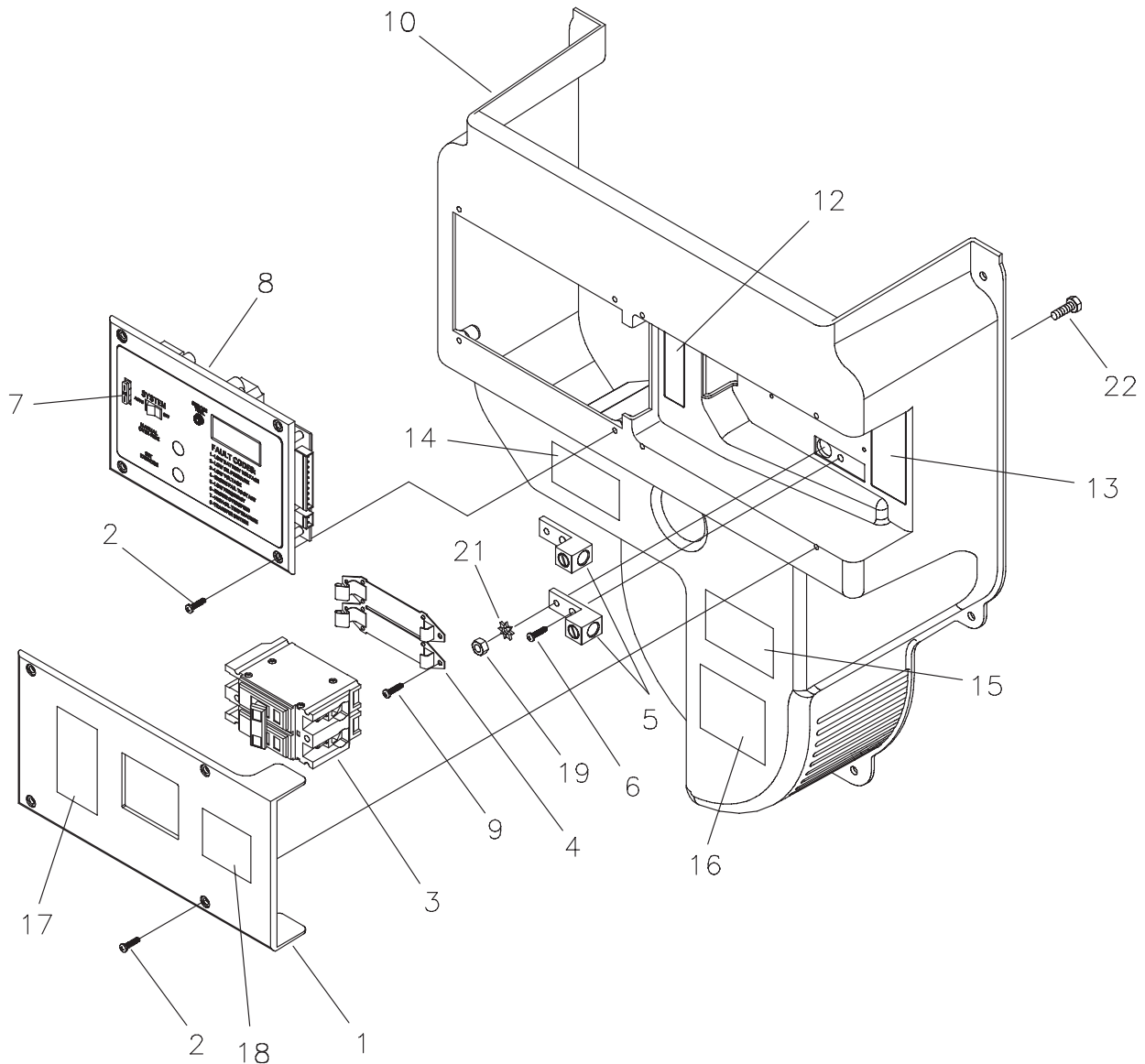


Illustrated Parts List - Enclosure

| Item | Part # | Description | Item | Part # | Description |
|------|------------|--|------|----------|---------------------------------------|
| 1 | 197275GS | PAD, Mounting w/ Holes | 16 | 202956GS | SEAL, Foam, Engine Air |
| 2 | AA203030GS | BASE, Mounting | 17 | 192778GS | HHS, Trilobular, #8-32 x 1/2 |
| 3 | 204020GS | ASSY, Bulkhead, Engine End | 18 | 195733GS | MOUNT, Tie Wrap |
| | | Bulkhead, Engine End | 19 | 192940GS | RETAINER, Hose |
| | | Decal, Fuel Inlet | 20 | 202957GS | SEAL, Foam, Alternator Inlet |
| | | Seal, Foam | 21 | 198893GS | ASSY, Roof/Siderails |
| | | Seal, Foam Engine Air | | | Weldment Roof/Siderails |
| | | Bushing, 1-1/2 | | | Insulation |
| | | Bushing, 1-3/8 | 22 | 203407GS | ASSY, Bulkhead, Alternator End |
| | | Plug, Dome 1-1/2 | | | Decal, Caution Hot Muffler |
| | | Pin, Hinges with Hardware | | | Seal, Foam |
| 4 | 203380GS | ASSY, Door, Engine End | | | Seal, Foam Alternator Inlet |
| | | Weldment, Door Engine End | | | Pin, Hinges with Hardware |
| | | Insulations | | | Bracket, Muffler |
| | | Barrel, Hinges with Hardware | 23 | 200409GS | DECAL, Caution Hot Muffler |
| 5 | 198910GS | ASSY, Duct, Engine Air | 24 | 203303GS | INSULATION, Engine Door, Bottom |
| | | Decals | 25 | 198926GS | ASSY, Vent, Exhaust |
| | | Lug, Ground Connect w/Hardware | 26 | 198460GS | PLUG, Dome |
| | | Bracket, Mounting Breaker | 27 | 198927GS | ASSY., Vent, Alternator |
| | | w/Hardware | 28 | 198888GS | SEAL, Foam |
| 6 | 203385GS | ASSY, Support, Rail | 29 | 194694GS | COVER, Air Intake Engine |
| | | Support Rail Engine End | 30 | 203302GS | INSULATION, Engine Door, Top |
| | | Seal, Foam | 31 | 197312GS | SEAL, Foam |
| | | Decal, Rainproof | 32 | 196397GS | INSULATION, Front/Rear Door |
| 7 | B4300GS | HHS, Trilobular, 1/4-20 x 1/2 | 33 | 195597GS | INSULATION, Roof |
| 8 | 203015GS | BUSHING, Snap, 2" | 34 | 198890GS | KIT, Door, Hinge |
| 9 | 197493GS | BUSHING, Snap, 1-1/2" | 35 | 194828GS | SET, Latch Key |
| 10 | 198338GS | REGULATOR, Voltage | 36 | 198889GS | KIT, Door Latch |
| 11 | * | HHCS, 3/8 - 16 x 1 | | | |
| 12 | * | WASHER, Flat, 3/8 - M10 | | | |
| 13 | * | WASHER, Lock 3/8 | | | |
| 14 | * | NUT, 3/8 - 16 | | | |
| 15 | 203381GS | ASSY, Door | | | |
| | | Weldment Door | | | |
| | | Insulation | | | |
| | | Barrel Hinges with Hardware | | | |
| | | Decals | | | |

* - Items without part numbers are common fasteners and are available at local hardware stores.

Exploded View & Illustrated Parts List - Control Panel



| Item | Part # | Description |
|------|----------|---------------------------------------|
| 1 | 198911GS | ASSY, Cover, Circuit Breaker w/Decals |
| 2 | * | SCREW, 10 x 0.62, Plastite |
| 3 | 202593GS | BREAKER, Circuit 100A, 2P |
| 4 | 192770GS | BRACKET, Mounting Breaker |
| 5 | 199011GS | LUG, Ground Connect |
| 6 | 191991GS | BOLT, 1/4-10 x 1, Plastite |
| 7 | 198573GS | FUSE, Auto Type 15 Amp |
| 8 | 202118GS | ASSY, Control Panel |
| 9 | 197492GS | SCREW, PT, M4 - 1.79 x 16.0 |
| 10 | 198910GS | ASSY, Duct, Engine Air w/Decals |
| 12 | 198549GS | DECAL, Terminal Block |
| 13 | 198550GS | DECAL, Ground, Neutral |
| 14 | 205393GS | DECAL, Warning, Outdoor Install |
| 15 | 193297GS | DECAL, Caution, Standby |
| 16 | 205392GS | DECAL, Warning, Auto Start |

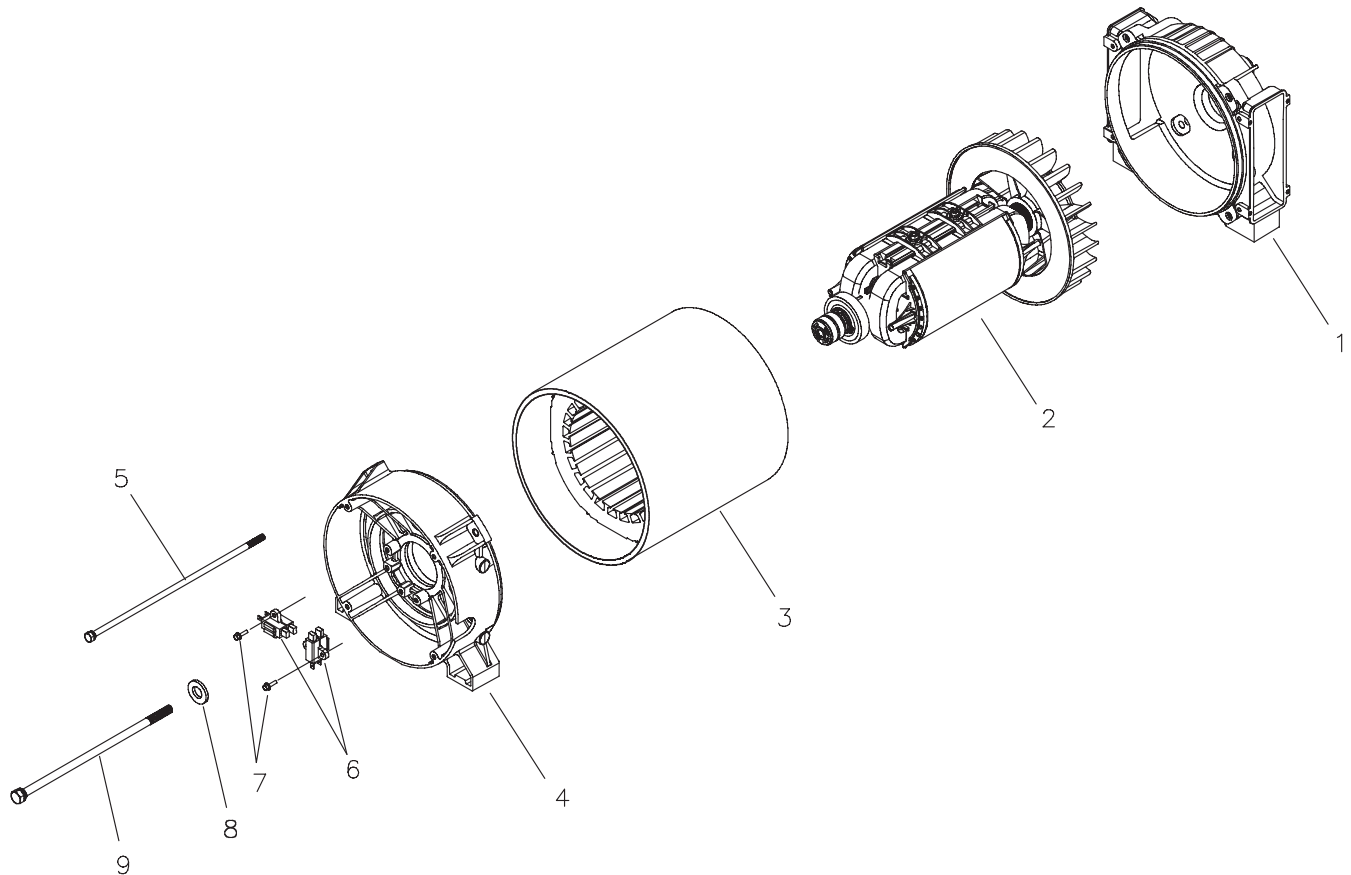
| Item | Part # | Description |
|------|----------|--------------------------------|
| 17 | 205394GS | DECAL, Caution, Electric Shock |
| 18 | 205395GS | DECAL, Warning Shock |
| 19 | * | NUT, 1/4 - 20 |
| 21 | * | WASHER, Shakeproof, Ext M6 1/4 |
| 22 | * | HHCS, 1/4 - 20 x 3/4 |

Items Not Illustrated

| | |
|----------|---|
| 202882GS | HARNESS, Wire, CTL Board to Engine/Alternator |
| 198517GS | HARNESS, Wire, E1 & E2 Sensing |
| 203020GS | HARNESS, AVR |
| 198515GS | CONNECTOR, Terminal, 2 Pin |
| 198516GS | CONNECTOR, Terminal, 10 Pin |

* - Items without part numbers are common fasteners and are available at local hardware stores.

Exploded View & Illustrated Parts List - Alternator



| Item | Part # | Description |
|------|----------|-------------------------------|
| 1 | 195235GS | ADAPTER, Mounting, Alternator |
| 2 | 199252GS | ASSY, Rotor |
| 3 | 199254GS | STATOR |
| 4 | 195234GS | RBC |
| 5 | 197177GS | HEX HEAD, SEM Screw |
| 6 | 66386GS | ASSY, Holder, Brush |
| 7 | 66849GS | TAPTITE, M5 - 0.8 x 16 |
| 8 | 203200GS | WASHER, 3/8" SAE |
| 9 | 200442GS | BOLT, 3/8 - 24 x 15.20" |

Free Manuals Download Website

<http://myh66.com>

<http://usermanuals.us>

<http://www.somanuals.com>

<http://www.4manuals.cc>

<http://www.manual-lib.com>

<http://www.404manual.com>

<http://www.luxmanual.com>

<http://aubethermostatmanual.com>

Golf course search by state

<http://golfingnear.com>

Email search by domain

<http://emailbydomain.com>

Auto manuals search

<http://auto.somanuals.com>

TV manuals search

<http://tv.somanuals.com>