



# Generator Systems

## Operator's Manual



### Liquid-Cooled Generator System



This generator is rated in accordance with UL (Underwriters Laboratories) 2200 (stationary engine generator assemblies) and CSA (Canadian Standards Association) standard C22.2 No. 100-4 (motors and generators).

**Thank you** for purchasing this quality-built Briggs & Stratton generator. We're pleased that you've placed your confidence in the Briggs & Stratton brand. When operated and maintained according to the instructions in this manual, your generator will provide many years of dependable service.

**This manual contains** safety information to make you aware of the hazards and risks associated with standby generators and how to avoid them. Because we do not necessarily know all the applications this equipment could be used for, it is important that you read and understand these instructions thoroughly before attempting to start or operate this equipment. This product is only for use as an optional generator system which provides an alternate source of electric power and to serve loads such as heating, refrigeration systems, and communication systems that, when stopped during any power outage, could cause discomfort or inconvenience.

**Save these original instructions for future reference.**

**This generator requires professional installation before use.** Refer to the separate installation manual for full information. Your installer should follow the instructions completely.

## **Where to Find Us**

You never have to look far to find Briggs & Stratton support and service for your generator. Consult your Yellow Pages. There are thousands of Briggs & Stratton authorized service dealers worldwide who provide quality service. You can also contact Technical Service by phone at **800 732-2989**, or click on Find a Dealer at [BRIGGSandSTRATTON.COM](http://BRIGGSandSTRATTON.COM), which provides a list of authorized dealers.

**Generator and engine model and serial numbers should be recorded in the installation manual.**

NOT  
for  
REPRODUCTION

Briggs & Stratton Power Products Group, LLC  
P.O. Box 702  
Milwaukee, WI 53201-0702

Copyright © 2013. All rights reserved. No part of this material may be reproduced or transmitted in any form without the express written permission of Briggs & Stratton Power Products Group, LLC.

# Table of Contents

<b>Important Safety Instructions</b> . . . . .	<b>4</b>
<b>Installation</b> . . . . .	<b>7</b>
For the Installing Dealer/Contractor: . . . . .	7
Owner Orientation . . . . .	7
Fuel Factors . . . . .	8
Generator Location. . . . .	8
Delivery Inspection. . . . .	9
<b>Controls</b> . . . . .	<b>10</b>
System Control Panel. . . . .	12
Access Ports . . . . .	13
<b>Operation</b> . . . . .	<b>14</b>
Automatic Operation . . . . .	14
Setting Exercise Timer. . . . .	15
<b>Maintenance</b> . . . . .	<b>15</b>
Fault Detection System . . . . .	15
Generator Maintenance . . . . .	17
Engine Maintenance. . . . .	18
Battery . . . . .	21
Storage. . . . .	22
<b>Maintenance Chart</b> . . . . .	<b>23</b>
<b>Troubleshooting</b> . . . . .	<b>24</b>
<b>Warranty</b> . . . . .	<b>25</b>
<b>Product Specifications</b> . . . . .	<b>28</b>

NOT for REPRODUCTION

# Important Safety Instructions

**SAVE THESE INSTRUCTIONS** - This manual contains important instructions that should be followed during installation and maintenance of the generator and batteries.

## Safety Symbols and Meanings



Explosion



Fire



Electrical Shock



Toxic Fumes



Rotating Parts



Hot Surface



Auto Start



Explosive Pressure



Chemical Burn



Rotating Belt/Pulley



Rotating Fan Blade



Exploding Battery



Lift Hazard



Read Manual

▲ The safety alert symbol indicates a potential personal injury hazard. A signal word (DANGER, WARNING, or CAUTION) is used with the alert symbol to designate a degree or level of hazard seriousness. A safety symbol may be used to represent the type of hazard. The signal word NOTICE is used to address practices not related to personal injury.

▲ **DANGER** indicates a hazard which, if not avoided, *will* result in death or serious injury.

▲ **WARNING** indicates a hazard which, if not avoided, *could* result in death or serious injury.

▲ **CAUTION** indicates a hazard which, if not avoided, *could* result in minor or moderate injury.

**NOTICE** addresses practices not related to personal injury.

The manufacturer cannot possibly anticipate every possible circumstance that might involve a hazard. The warnings in this manual, and the tags and decals affixed to the unit are, therefore, not all-inclusive. If you use a procedure, work method or operating technique that the manufacturer does not specifically recommend, you must satisfy yourself that it is safe for you and others. You must also make sure that the procedure, work method or operating technique that you choose does not render the generator system unsafe.

▲ **WARNING** Running engine gives off carbon monoxide, an odorless, colorless, poison gas.



Breathing carbon monoxide could result in death, serious injury, headache, fatigue, dizziness, vomiting, confusion, seizures, nausea or fainting.

- Operate this product **ONLY** outdoors in an area that will not accumulate deadly exhaust gas.
- Keep exhaust gas away from any windows, doors, ventilation intakes, soffit vents, crawl spaces, open garage doors or other openings that can allow exhaust gas to enter inside or be drawn into a potentially occupied building or structure.
- Carbon monoxide detector(s) **MUST** be installed and maintained indoors according to the manufacturer's instructions/recommendations. Smoke alarms cannot detect carbon monoxide gas.

▲ **WARNING** The engine exhaust from this product contains chemicals known to the State of California to cause cancer, birth defects, or other reproductive harm.

▲ **WARNING** Certain components in this product and related accessories contain chemicals known to the State of California to cause cancer, birth defects, or other reproductive harm. *Wash hands after handling.*

▲ **WARNING** Storage batteries give off explosive hydrogen gas during recharging. Slightest spark will ignite hydrogen and cause explosion, resulting in death or serious injury.




Battery electrolyte fluid contains acid and is extremely caustic.



Contact with battery contents could cause severe chemical burns.



A battery presents a risk of electrical shock and high short circuit current.



- DO NOT dispose of battery in a fire. Recycle battery.
- DO NOT allow any open flame, spark, heat, or lit cigarette during and for several minutes after charging a battery.
- DO NOT open or mutilate the battery.
- Wear protective goggles, rubber apron, rubber boots and rubber gloves.
- Remove watches, rings, or other metal objects.
- Use tools having insulated handles.



- ⚠ WARNING** Generator produces hazardous voltage. Failure to properly ground generator could result in electrocution.
-  Failure to isolate generator from utility power could result in death or serious injury to electric utility workers due to backfeed of electrical energy.
- DO NOT touch bare wires or bare receptacles.
  - DO NOT use generator with electrical cords which are worn, frayed, bare or otherwise damaged.
  - DO NOT handle generator or electrical cords while standing in water, while barefoot, or while hands or feet are wet.
  - If you must work around a unit while it is operating, stand on an insulated dry surface to reduce the risk of a shock hazard.
  - DO NOT allow unqualified persons or children to operate or service generator.
  - In case of an accident caused by electrical shock, immediately shut down the source of electrical power and contact the local authorities. **Avoid direct contact with the victim.**
  - Despite the safe design of the generator, operating this equipment imprudently, neglecting its maintenance or being careless could cause possible injury or death.
  - Remain alert at all times while working on this equipment. Never work on the equipment when you are physically or mentally fatigued.
  - Before performing any maintenance on the generator, disconnect the battery cable indicated by a **NEGATIVE, NEG** or (-) first. When finished, reconnect that cable last.
  - After your system is installed, the generator may crank and start without warning any time there is a power failure. To prevent possible injury, always set the generator's system switch to **OFF**, remove the service disconnect from the disconnect box AND remove the 15 Amp fuse BEFORE working on the equipment.

- ⚠ WARNING** Hazardous Voltage - Contact with power lines could cause electric shock or burns, resulting in death or serious injury.
-   Lifting Hazard / Heavy Object - Could result in serious injury.
- If lifting or hoisting equipment is used, DO NOT contact any power lines.
  - DO NOT lift or move generator without assistance.
  - DO NOT lift unit by roof as damage to generator will occur.

- ⚠ WARNING** Propane and Natural Gas are extremely flammable and explosive, which could cause burns, fire or explosion resulting in death or serious injury.
-  
- Install the fuel supply system according to NFPA 37 and other applicable fuel-gas codes.
  - Before placing the generator into service, the fuel system lines must be properly purged and leak tested.
  - After the generator is installed, you should inspect the fuel system periodically.
  - NO leakage is permitted.
  - DO NOT operate engine if smell of fuel is present or other explosive conditions exist.
  - DO NOT smoke around the generator. Wipe up any oil spills immediately. Ensure that no combustible materials are left in the generator compartment. Keep the area near the generator clean and free of debris.

- ⚠ WARNING** Exhaust heat/gases could ignite combustibles or structures resulting in death or serious injury.
-   Contact with muffler area could cause burns resulting in serious injury.
- DO NOT touch hot parts and AVOID hot exhaust gases.
  - Allow equipment to cool before touching.
  - Exhaust outlet side of weatherproof enclosure must have at least 5 ft. (1.5m) minimum clearance from any structure, shrubs, trees or any kind of vegetation.
  - Standby generator weatherproof enclosure must be at least 5 ft. (1.5m) from windows, doors, any wall opening, shrubs or vegetation over 12 inches (30.5 cm) in height.
  - Standby generator weatherproof enclosure must have a minimum of 5 ft. (1.5 m) overhead clearance from any structure, overhang, or trees.
  - DO NOT place weatherproof enclosure under a deck or other type of structure that may confine airflow.
  - Use only flexible fuel line provided. Connect provided fuel line to generator. DO NOT use with or substitute any other flexible fuel line.
  - Smoke detector(s) MUST be installed and maintained indoors according to the manufacturer's instructions/recommendations. Carbon monoxide alarms cannot detect smoke.
  - Keep at least minimum distances shown in *General Location Guidelines* to insure for proper generator cooling and maintenance clearances.
  - Replacement parts must be the same and installed in the same position as the original parts.

**▲ WARNING** Moving parts could crush and cut. Starter and other rotating parts could entangle hands, hair, clothing, or accessories resulting in serious injury.



- NEVER operate generator without protective housings, covers, or guards in place.
- DO NOT wear loose clothing, jewelry or anything that could be caught in the starter or other rotating parts.
- Tie up long hair and remove jewelry.
- Before servicing, remove 15 Amp fuse from control panel and disconnect **Negative (NEG or -)** battery cable.

**▲ WARNING** Hot pressurized coolant could cause serious injury.



- DO NOT open radiator cap when hot.
- Before servicing, allow coolant to cool.

**▲ CAUTION** Installing the 15A fuse could cause the engine to start at any time without warning resulting in minor or moderate injury.



- Observe that the 15 Amp fuse has been removed from the control panel for shipping.
- DO NOT install this fuse until all plumbing and wiring has been completed and inspected.

**▲ CAUTION** Excessively high operating speeds could result in minor injury and/or equipment damage. Excessively low speeds impose a heavy load on generator.

- DO NOT tamper with governed speed. Generator supplies correct rated frequency and voltage when running at governed speed.
- DO NOT modify generator in any way.

**NOTICE** Improper treatment of generator could damage it and shorten its life.

- Use generator only for intended uses.
- If you have questions about intended use, contact your authorized dealer.
- Operate generator only on level surfaces.
- Adequate, unobstructed flow of cooling and ventilating air is critical to correct generator operation.
- The access panels/door must be installed whenever the unit is running.
- DO NOT expose generator to excessive moisture, dust, dirt, or corrosive vapors.
- Remain alert at all times while working on this equipment. Never work on the equipment when you are physically or mentally fatigued.
- DO NOT start engine with air cleaner or air cleaner cover removed.
- DO NOT insert any objects through cooling slots.
- DO NOT use the generator or any of its parts as a step. Stepping on the unit could cause stress and break parts. This may result in dangerous operating conditions from leaking exhaust gases, fuel leakage, oil leakage, etc.
- If connected devices overheat, turn them off and disconnect them from generator.
- Shut off generator if:
  - electrical output is lost;
  - equipment sparks, smokes, or emits flames;
  - unit vibrates excessively.
  - unit makes unusual noises.

## Installation

We sincerely appreciate your patronage. For this reason, we have made every effort to provide for a safe, streamlined and cost-effective installation. Because each installation is unique, it is impossible to know of and advise the trade of all conceivable procedures and methods by which installation might be achieved. Neither could we know of possible hazards and/or the results of each method or procedure.

For these reasons, **only current licensed electrical and plumbing professionals should attempt generator system installations. Installations must strictly comply with all applicable codes, industry standards and regulations.**

Your generator is supplied with this "Operator's Manual" and a separate "Installation Manual". These are important documents and should be retained by the owner after the installation has been completed.

This product is only for use as an optional generator system which provides an alternate source of electric power and to serve loads such as heating, refrigeration systems, and communication systems that, when stopped during any power outage, could cause discomfort or inconvenience.

**NOTICE** This product does NOT qualify for either an emergency standby or legally required standby system as defined by NFPA 70 (NEC).

- Emergency generator systems are intended to automatically supply illumination, power, or both, to designated areas and equipment in the event of failure of the normal supply. Emergency systems may also provide power for such functions as ventilation where essential to maintain life, where current interruption of the normal supply would produce serious life safety or health hazards.
- Legally Required standby generator systems are intended to automatically supply power to selected loads in the event of failure of the normal source which could create hazards or hamper rescue or fire-fighting operations.

Every effort has been made to ensure that information in this manual is accurate and current. However, we reserve the right to change, alter, or otherwise improve the product and this document at any time without prior notice.

Only current licensed electrical and plumbing professionals should attempt generator system installations. Installations must strictly comply with all applicable codes, industry standards, laws and regulations.

## For the Owner:

To help you make informed choices and communicate effectively with your installation contractor(s), **read and understand *Owner Orientation* in this manual before contracting or starting your generator installation.**

To arrange for proper installation, contact the store at which you purchased your generator, your dealer, a licensed electrician or your utility power provider.

**The generator warranty is VOID unless the system is installed by licensed electrical and plumbing professionals.**

Every effort has been made to ensure that information in this manual is accurate and current. However, we reserve the right to change, alter, or otherwise improve the product and this document at any time without prior notice.

The Emission Control System for this generator is warranted for standards set by the U.S. Environmental Protection Agency and by the California Air Resources Board (CARB).

## For the Installing Dealer/Contractor:

For most applications, the Installation manual contains all the information required to properly install and start the generator. This operator's manual describes routine operation and owner maintenance procedures.

If you need more information in this matter, please call **800 732-2989**, between 8:00 AM and 5:00 PM CT.

## Owner Orientation

This section provides generator owners with the information necessary to achieve the most satisfactory and cost effective installation possible.

The illustrations are for typical circumstances and are meant to familiarize you with the installation options available with your generator. A thorough understanding of these options will provide fundamental control over the cost of your installation, as well as ensure your final satisfaction and security.

Federal and local codes, appearance, noise levels, fuel types, and distances are the factors that must be considered when negotiating with an installation professional. Remember that as the distance from the existing electrical service and gaseous fuel supply increases, and the number of 90 degree bends in the fuel supply increases, compensations in piping and wiring materials must be made. This is necessary to comply with local codes and overcome electrical voltage drops and gaseous fuel pressure drops.

**The factors mentioned above will have a direct affect on the overall price of your generator installation.**


In some areas you may need to acquire electrical permits for installing the generator, building permits for installing gas lines, and permits for noise allowances. Your installer should check your local codes AND obtain the permits before installing the system.

## Fuel Factors

An important consideration affecting the entire installation is the type of fuel used by your generator. The system was factory tested and adjusted using either natural gas or liquid propane (LP vapor). For proper engine function, factors that are inherent to each of these fuels, your location and the duration of possible utility interruptions are important considerations in the following fuel guidelines:

- Use clean, dry fuel, free of moisture or any particulate material. Using fuels outside the following recommended values may cause performance problems.
- In engines set up to run on propane (LP), commercial grade HD5 propane with a minimum fuel energy of 2500 BTUs/ft<sup>3</sup> with maximum propylene content of 5% and butane and heavier gas content of 2.5% and minimum propane content of 90%.

Natural gas rating will depend on specific fuel but typical derates are between 10 to 20% off the LP gas rating.

 <p><b>WARNING</b> Propane and Natural Gas are extremely flammable and explosive, which could cause burns, fire or explosion resulting in death or serious injury.</p> <ul style="list-style-type: none"><li>• The generator is equipped with an automatic safety gas “fuel shut-off” valve.</li><li>• DO NOT operate the equipment if the “fuel shut-off” valve is missing or inoperative.</li></ul>
--

## Power Decrease at High Altitude or High Temperature

Air density is less at high altitudes, resulting in less available engine power. Specifically, engine power will decrease 3% for each 1,000 feet (300 meters) above sea level and 1% for each 10° F (5.6°C) above 77°F (25°C). Make sure you and your installer consider these factors when determining total generator load.

## Delivery Inspection

Carefully inspect the generator for any damage that may have occurred during shipment.

If loss or damage is noted at time of delivery, have the person(s) making delivery note all damage on the freight bill and affix his signature under the consignor’s memo of loss or damage. If loss or damage is noted after delivery, separate the damaged materials and contact the carrier and your installer for claim procedures. Missing or damaged parts are not warranted.

### The generator is supplied with:

- Fully-serviced coolant system
- Fully-serviced oil/lubricating system
- Flexible fuel hook-up hose
- Installation and start-up manual
- Operator’s manual
- Spare access door keys
- Spare 15A fuse
- Touch up paint

### To be supplied by installer:

- Carbon monoxide detector(s)
- Smoke detector(s)
- Starting battery
- Reinforced concrete mounting pad
- Connecting wire and conduit
- Fuel supply valves/plumbing
- Various specialty tools/equipment



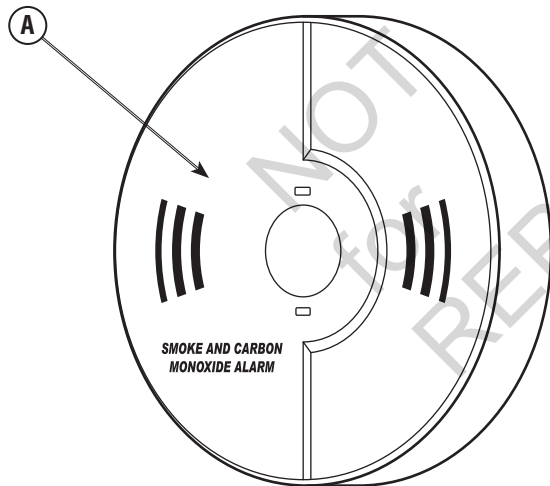
## Generator Location

The actual physical location of your generator has a direct affect on:

1. The amount of plumbing required to fuel your generator.
2. The amount of wiring required to control and connect your generator.

Specific location guidelines are discussed in the installation manual. Acquaint yourself with that information and confer with your installer. Be sure to ask how your site might affect installation costs and compliance with local codes and standards.

- Install generator outdoors in an area that will not accumulate deadly exhaust gas.
- DO NOT install generator where exhaust gas could accumulate and enter inside or be drawn into a potentially occupied building or structure.
- By law it is required in many states to have a Carbon Monoxide (CO) detector in operating condition in your. Carbon monoxide detector(s) **(A)** MUST be installed and maintained indoors according to the manufacturer's instructions/recommendations. A CO monitor is an electronic device that detects hazardous levels of CO. When there is a buildup of CO, the monitor will alert the occupants by flashing visual indicator light and alarm. Smoke alarms cannot detect CO gas.



**⚠ WARNING** Running engine gives off carbon monoxide, an odorless, colorless, poison gas.



Breathing carbon monoxide could result in death, serious injury, headache, fatigue, dizziness, vomiting, confusion, seizures, nausea or fainting.

- Operate this product **ONLY** outdoors in an area that will not accumulate deadly exhaust gas.
- Keep exhaust gas away from any windows, doors, ventilation intakes, soffit vents, crawl spaces, open garage doors or other openings that can allow exhaust gas to enter inside or be drawn into a potentially occupied building or structure.
- Carbon monoxide detector(s) **MUST** be installed and maintained indoors according to the manufacturer's instructions/recommendations. Smoke alarms cannot detect carbon monoxide gas.

**⚠ WARNING** Exhaust heat/gases could ignite combustibles or structures resulting in death or serious injury.

- Exhaust outlet side of weatherproof enclosure must have at least 5 ft. (1.5 m) minimum clearance from any structure, shrubs, trees, or any kind of vegetation.
- Standby generator weatherproof enclosure must be at least 5 ft. (1.5 m) from windows, doors, any wall opening, shrubs or vegetation over 12 in. (30.5 cm) in height.
- Standby generator weatherproof enclosure must have a minimum of 5 ft. (1.5 m) overhead clearance from any structure, overhang or trees.
- DO NOT place weatherproof enclosure under a deck or other type of structure that may confine airflow.
- USE ONLY flexible steel fuel line provided. Connect provided fuel line to generator. DO NOT use with or substitute any other flexible fuel line.
- Smoke detector(s) **MUST** be installed and maintained indoors according to the manufacturer's instructions/recommendations. Carbon monoxide alarms cannot detect smoke.
- DO NOT place weatherproof enclosure in manner other than shown in illustrations.

- Ensure exhaust gas is kept away from any windows, doors, ventilation intakes, soffit vents, crawl spaces, open garage doors or other openings that can allow exhaust gas to enter inside or be drawn into a potentially occupied building or structure. Neighboring structures may be exposed to the engine exhaust from your standby generator and must be considered when installing your standby generator.
- Wind and air currents should be taken into consideration when positioning generator.

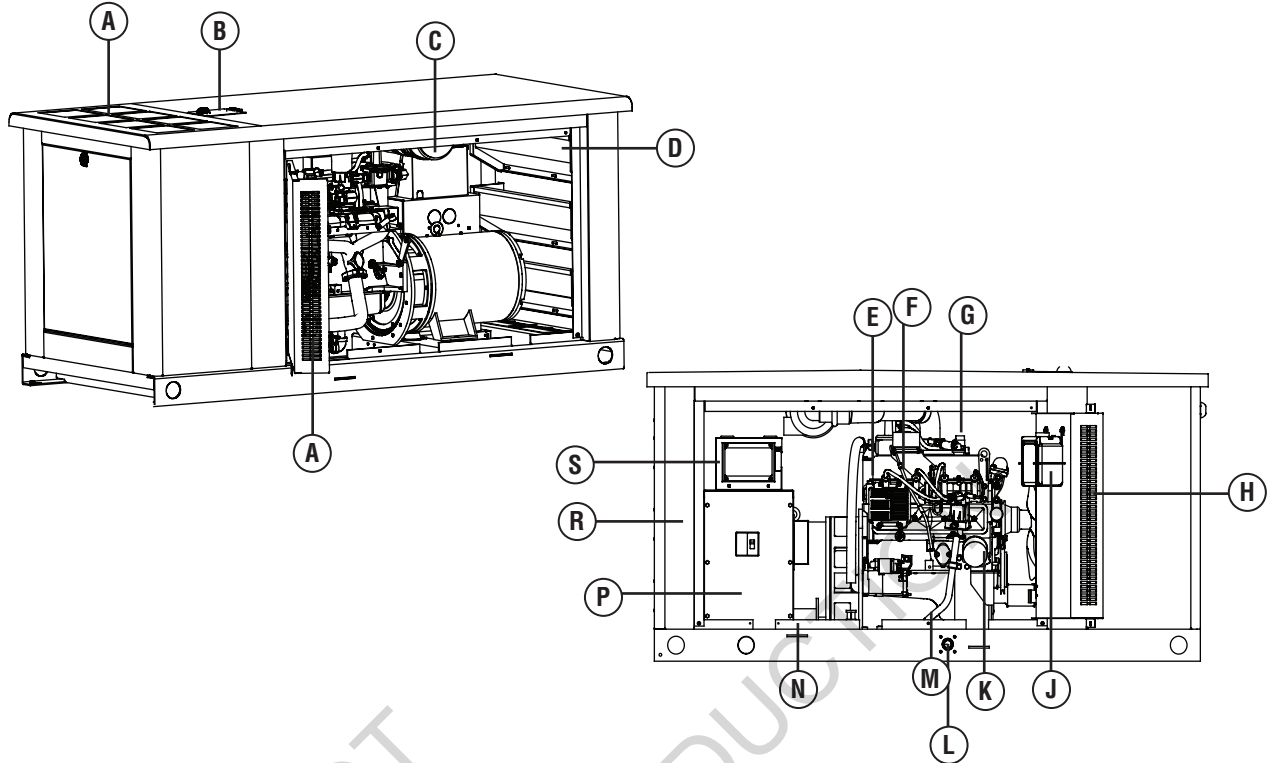
See the installation manual for full details on safe generator location.

# Controls

## 60 kW Generator



Read this operator's manual and Important Safety Instructions **before** operating your generator. Compare the illustrations of this model with your generator to familiarize yourself with the locations of various controls and adjustments. **Save this manual for future reference.**



Generator is pictured with access doors removed for clarity and screen guard open for clarity.

- A - Exhaust Port** — High-performance muffler lowers engine sound level to comply with most residential codes.
- B - Coolant Fill Door** — Provides access for servicing engine with coolant.
- C - Air Cleaner** — Protects engine by filtering dust and debris out of intake air.
- D - Battery Door opening** — Provides access to starting battery and air cleaner.
- E - Engine Label** — Identifies engine model and type.
- F - Oil Dip Stick** — Used to check the engine oil level.
- G - Oil Fill Cap** — Remove to service the engine with recommended oil.
- H - Screen Guard** — Prevents fingers from touching radiator fan and houses the coolant recovery bottle. Must stay closed while generator is in use.
- J - Coolant Recovery Bottle** — Located on inside of screen guard. Provides visual indicator of engine coolant level.
- K - Oil Filter** — Filters engine oil to prolong system life.
- L - Fuel Inlet** — Fuel supply is connected here.
- M - Oil Drain Hose** — Provided to facilitate oil changing.
- N - ID Label (located on base)** — Identifies unit by serial number.
- P - Circuit Breaker Enclosure** — Equipped with removable bottom to assist with conduit connection.
- R - Control Panel Door opening** — Provides access to control panel, oil filter, etc.
- S - Control Panel** — Used for various test, operation and maintenance functions. See System Control Panel.

## System Control Panel

The system control panel is a printed circuit board that is integrated with the control panel of the generator. It contains all the logic circuits, operator controls, and system displays necessary to operate, program, and protect the generator. The system control panel interprets and monitors electrical inputs from related circuits throughout the unit.

Please refer to the supplied Control Panel Application Guide for detailed information about the control panel.

## Access Ports

The generator is equipped with an enclosure that has several access doors. The doors are named for a significant component located behind them, as follows::

- A** - Fuel Inlet port (shown for reference)
- B** - Control Panel door
- C** - Exhaust opening (shown for reference)
- D** - Coolant Fill door
- E** - Battery door
- F** - Muffler door

Each generator is supplied with a set of identical keys. These keys fit the locks that secure the access doors.

### To open access door:

1. Insert key into lock of access door handle and turn key one quarter turn counterclockwise.
2. Grasp door's handle and turn one quarter turn counterclockwise to open. Remove key.
3. Coolant Fill door is unlocked in the same manner. It can be used for adding coolant or oil.

### To close access door:

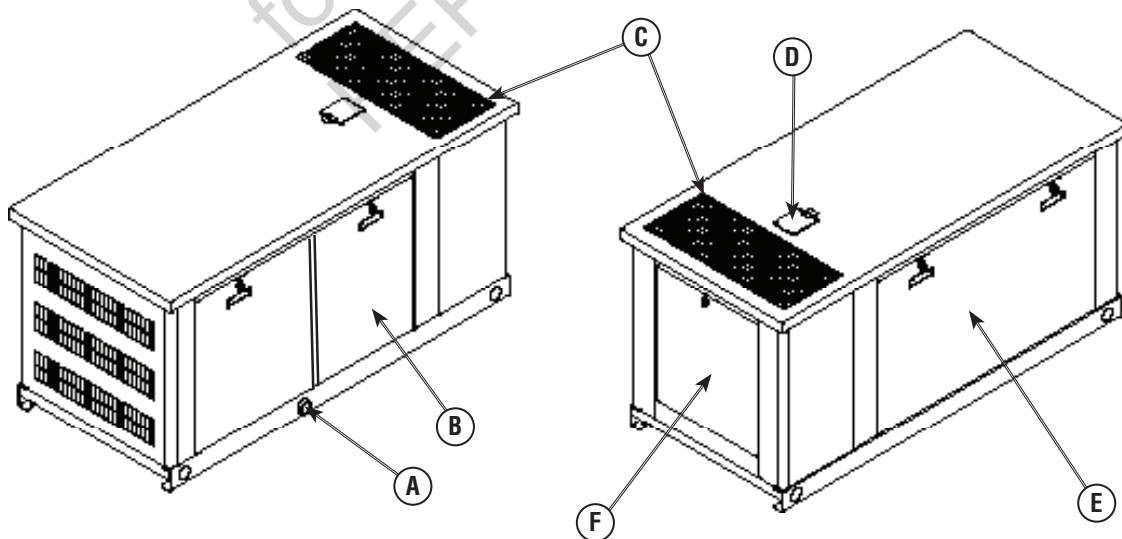
1. Close door and turn door's handle one quarter turn clockwise.
2. Insert key into lock of door handle and turn key one quarter turn clockwise. Remove key.

The enclosure also includes muffler and radiator access panels, used for cleaning those components. Those panels should remain closed at all other times to assure proper cooling, reduce noise, and for added safety.

**▲ WARNING** Contact with muffler area could cause burns resulting in serious injury.



- DO NOT touch hot parts and AVOID hot exhaust gases.
- Allow equipment to cool before touching.



# Operation

## Important Owner's Considerations

### Engine Oil

**NOTICE** Any attempt to crank or start the engine before it has been properly serviced with the recommended coolant or oil will result in equipment failure.

- Refer to the *Maintenance* section for coolant and oil fill information.
- Damage to equipment resulting from failure to follow this instruction will void engine and generator warranty.

This engine is shipped from the factory pre-run and filled with non-synthetic oil (API SL 10W-30W). This allows for system operation in a wide range of temperature and climate conditions. Before starting the engine, check oil level and ensure that engine is serviced as described in the *Maintenance* section.

### Coolant System

This engine is shipped from the factory filled with a 50-50 mix of automotive (ethylene glycol) anti-freeze and water. This will provide optimum year round protection against freezing, boiling and corrosion.

### Battery

The installer must supply a valve-regulated, rechargeable 12 volt DC starting battery. See *Battery* in *Final Installation Considerations* in the installation manual.

**▲ WARNING** Battery posts, terminals and related accessories contain lead and lead compounds - chemicals known to the State of California to cause cancer and reproductive harm. Wash hands after handling.

### 15 Amp Fuse

The generator's 15 Amp fuse is critical to correct system operation. The 15 Amp fuse was removed at the factory to prevent the unit from starting during shipping. Your installer will ensure the fuse is properly installed upon completion of the installation.

## Automatic Operation

The generator's control board constantly monitors utility voltage. Should utility voltage drop below a preset level, the control board will signal the engine to crank and start.

When utility voltage is restored above a preset voltage level, the engine is signaled to shut down.

The actual system operation is not adjustable and is sequenced by sensors and timers on the control board, as follows:

### Utility Voltage Dropout Sensor

- This sensor monitors utility source voltage.
- If utility source voltage drops below about 70 percent of the nominal supply voltage, the sensor energizes a 3 second timer. The timer is used to 'sense' brown-outs.
- Once the timer has expired, the engine will crank and start.

### Utility Voltage Pickup Sensor

This sensor monitors utility voltage. When utility voltage is restored above 80 percent of the nominal source voltage, a time delay starts timing and the engine will go to engine cool-down.

### Engine Cool-down Timer

When utility power is sensed and the load transfers back to the utility source, the engine will go into a cool down period as described below:

- If the generator has run for MORE than 5 minutes, once the utility transfer occurs, the engine will continue to run for about 1 minute before shutting down.
- If the generator has run for LESS than 5 minutes, once the utility transfer occurs, the engine will continue to run until 5 minutes has elapsed before shutting down.

## Setting Exercise Timer

It is recommended to have the generator go through an exercise cycle once every seven days. During this exercise period, the unit runs for approximately 20 minutes and then shuts down.

Refer to the Control Panel Application Guide supplied with this generator for more detailed information on the exercise timer.

OR, refer to the Automatic Transfer Switch Application Guide for more detailed information on the exercise timer.

## Maintenance

The generator warranty does not cover items that have been subjected to operator abuse or neglect. To receive full value from the warranty, the operator must maintain the system as instructed in the *Maintenance* section.

### Servicing the System

Before performing any generator maintenance, always perform the following steps:

1. Set generator's circuit breaker to its OFF position.
2. Turn the generator off.
3. Remove 15 Amp fuse from control board.
4. Utility voltage is present at generator control board. Disconnect power before servicing control board by removing the fuses from the transfer switch.
5. After all servicing has been completed, replace fuses in transfer switch, replace 15 Amp fuse in control board, set circuit breaker ON and turn the generator on.

## Shutdown Alarm Detection System

The generator may have to run for long periods of time with no operator present. For that reason, the system is equipped with sensors that automatically shut down the generator in the event of potentially damaging conditions, such as low oil pressure, high temperature, over speed, and other conditions.

The generator's control board shows possible shutdown alarms descriptions on the digital display.

The possible shutdown alarms are listed below:

- Overspeed
- Underspeed
- Low Oil Pressure
- High Coolant Temperature
- External Shutdown 1
- External Shutdown 2
- External Shutdown 3
- GCB (Generator Circuit Breaker) Fail
- Generator Overvoltage
- Generator Undervoltage
- Generator Overfrequency
- Generator Underfrequency
- Generator CCW Rotation
- Start Fail
- Stop Fail
- Battery Flat
- Voltage Autodetect

### Reset Shutdown Alarm Detection System

The operator must reset the shutdown alarm detection system each time it activates.

Refer to the Control Panel Application Guide supplied with this generator for more detailed information on resetting the Shutdown Alarm Detection System.

### Overspeed

This shutdown alarm is indicated by Overspeed showing on the digital display. This condition occurs if the engine speed is greater than 115% of nominal engine RPM, which is derived from generator frequency.

To remedy the problem, contact your installer or an authorized dealer.

### Underspeed

This shutdown alarm is indicated by Underspeed showing on the digital display. This condition occurs if the engine speed drops under the nominal engine RPM.

To remedy the problem, contact your installer or an authorized dealer.



### **Low Oil Pressure**

This shutdown alarm is indicated by Low Oil Pressure on the digital display. The unit is equipped with an oil pressure switch that uses normally closed contacts held open by engine oil pressure during operation. Should oil pressure drop below the 8 psi range, switch contacts close and the engine will shut down.

To remedy the low oil pressure condition, add the recommended oil to the FULL mark on the dipstick or contact your installer or an authorized dealer.

### **High Coolant Temperature**

This shutdown alarm is indicated by High Coolant Temperature on the digital display. This condition occurs when the temperature of the coolant exceeds the shutdown threshold.

To remedy the problem, contact your installer or an authorized dealer.

### **External Shutdown 1,2 or 3**

This shutdown alarm is indicated by External Shutdown on the digital display.

To remedy the problem, contact your installer or an authorized dealer.

### **Generator Circuit Breaker (GCB) Fail**

This shutdown alarm is indicated by GCB Fail on the digital display. This condition occurs when the generator circuit breaker trips or becomes non-functional.

To remedy the problem, contact your installer or an authorized dealer.

### **Generator Overvoltage**

This shutdown alarm is indicated by Generator Overvoltage on the digital display. This condition occurs when the output voltage exceeds the preset threshold.

To remedy the problem, contact your installer or an authorized dealer.

### **Generator Undervoltage**

This shutdown alarm is indicated by Generator Undervoltage on the digital display. This condition occurs when the output voltage drops below the preset threshold.

To remedy the problem, contact your installer or an authorized dealer.

### **Generator Overfrequency**

This shutdown alarm is indicated by Generator Overfrequency on the digital display. This condition occurs when the generator frequency is out of limits given by setpoints.

To remedy the problem, contact your installer or an authorized dealer.

### **Generator Underfrequency**

This shutdown alarm is indicated by Generator Underfrequency on the digital display. This condition occurs when the generator frequency is out of limits given by setpoints.

To remedy the problem, contact your installer or an authorized dealer.

### **Generator CCW Rotation**

This shutdown alarm is indicated by Generator CCW on the digital display. This condition occurs when the generator phase is out of sequence.

To remedy the problem, contact your installer or an authorized dealer.

### **Start Fail**

This shutdown alarm is indicated by Start Fail on the digital display. This condition occurs when the generator does not start.

To remedy the problem, contact your installer or an authorized dealer.

### **Stop Fail**

This shutdown alarm is indicated by Stop Fail on the digital display. This condition occurs when the generator fails to stop.

To remedy the problem, contact your installer or an authorized dealer.

### **Battery Flat**

This shutdown alarm is indicated by Battery Flat on the digital display. This condition occurs if the controller loses power during starting sequence due to a bad battery condition. It will not try to start again until the battery is functioning properly.

To remedy the problem, contact your installer or an authorized dealer.

### **Voltage Autodetect**

This shutdown alarm is indicated by Voltage Autodetect on the digital display. This condition occurs if the controller loses power during starting sequence due to a bad battery condition. It will not try to start again until the battery is functioning properly.

To remedy the problem, contact your installer or an authorized dealer.

## Generator Maintenance

Generator maintenance consists of keeping the unit clean. Operate the unit in an environment where it will not be exposed to excessive dust, dirt, moisture or any corrosive vapors. Cooling air louvers on the enclosure must not become clogged with snow, leaves, or any other foreign material. To prevent generator damage caused by overheating, keep the enclosure cooling inlets and outlets clean and unobstructed at all times.

Check the cleanliness of the unit frequently and clean when dust, dirt, oil, moisture or other foreign substances are visible on its exterior/interior surface. Inspect the air inlet and outlet openings inside and outside the enclosure to ensure air flow is not blocked.

DO NOT use direct spray from a garden hose to clean generator. Water can enter the engine and generator and cause problems.

## Cleaning the Generator

**NOTICE** Improper treatment of generator can damage it and shorten its life.

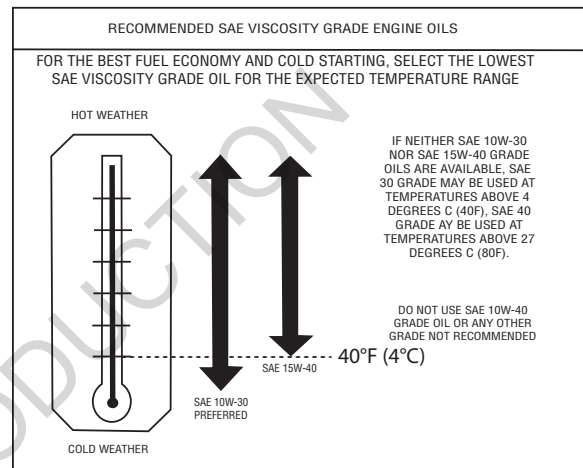
- DO NOT expose generator to excessive moisture, dust, dirt, or corrosive vapors.
  - DO NOT insert any objects through cooling slots.
1. Turn the generator off.
  2. Remove 15 Amp fuse from control board.
  3. Clean generator as desired.
    - Use a damp cloth to wipe exterior surfaces clean.
    - Use a soft, bristle brush to loosen caked on dirt, etc.
    - Use a vacuum cleaner to pick up loose dirt and debris.
    - Use low pressure air (not to exceed 25 psi) to blow away dirt. Inspect cooling air slots and openings on the generator. These openings must be kept clean and unobstructed.
  4. Reinstall 15 Amp fuse in control board.
  5. Turn the generator on and place in AUTO mode.

## Engine Maintenance

The maintenance of an engine and related components are critical to its operating performance and lifespan. Industrial engines operate in an environment that often include hot and cold temperatures and extreme dust. The recommended maintenance schedule is listed in this section, however, environmental operating conditions and additional installed equipment may require more frequent inspection and servicing. The owner and/or authorized service technician should review the operating conditions of the equipment to determine the inspection and maintenance intervals. Proper engine cooling and lubrication are very important, so pay particular attention to these matters.

## Engine Oil

The engine is shipped from the factory pre-run and filled with non-synthetic oil (API SL 10W-30). This allows for system operation in a wide range of temperature and climate conditions.



## Oil Recommendation

Select and engine oil viscosity that will best match the prevailing daytime temperature.

The oil must meet GM specification 9986231. Motor oils meeting this spec receive the API (American Petroleum Institute) starburst symbol:

It is noted that the GF-4 oils are also “backward compatible” and are equal or better than previous grades of oil in all aspects.

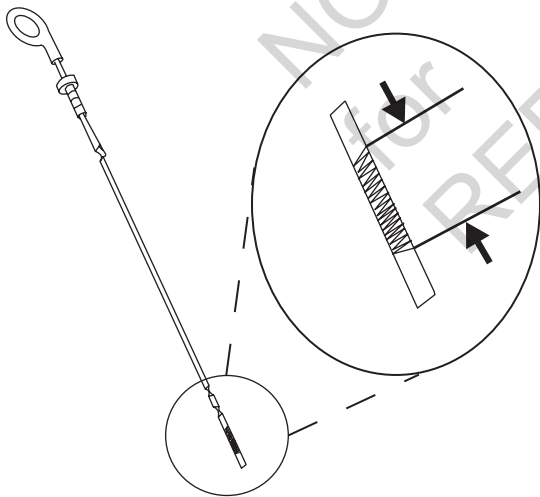
## Synthetic Oils

Synthetic Oils have been available for use in industrial engines for a relatively long period of time and may offer advantages in cold and hot temperatures. However, it is not known if synthetic oils provided operational or economic benefits over conventional petroleum-based oils in industrial engines. Use of synthetic oils does not permit the extension of oil change intervals.

## Checking Engine Oil Level

**NOTICE:** It is important to be careful when checking engine oil level. Oil must be maintained between the “ADD” and the “FULL” mark on the dipstick. To ensure that you are not getting a false reading, make sure the following steps are taken before checking the oil level.

1. Stop engine.
2. Turn the generator off.
3. Remove 15 Amp fuse from control panel.
4. Allow approximately five minutes for the oil to drain back into the oil pan.
5. Remove the dipstick. Wipe with a clean cloth or paper towel and reinstall. Push the dipstick all the way into the dipstick tube.
6. Remove the dipstick and note the amount of oil on the dipstick. The oil level must be between the “ADD” and “FULL” marks.
7. If the oil level is below the “ADD” mark, reinstall the dipstick and proceed to step 6.
8. Remove the oil filler cap from the valve cover.
9. Add the required amount of oil to bring the level up to, but not over, the “FULL” mark on the dipstick. Reinstall the oil filler cap to the valve rocker arm cover and wipe any excess oil clean.



## Changing Engine Oil



KEEP OUT OF REACH OF CHILDREN. DON'T POLLUTE. CONSERVE RESOURCES. RETURN USED OIL TO COLLECTION CENTERS.

Change oil while the engine is still warm from running.

1. Turn the generator off.
2. Remove 15 Amp fuse from control panel.
3. Place oil drain hose (B) into an approved container.
4. Open valve (A) located on bottom of oil pan.
5. When oil has drained, replace brass fitting on hose.
6. Remove oil filter and dispose of properly.
7. Before installing a new oil filter, lightly lubricate the oil filter gasket with fresh, clean oil.
8. Install the oil filter by hand until the gasket contacts the oil filter adapter, then tighten the oil filter  $\frac{1}{2}$  to  $\frac{3}{4}$  turn.
9. Add the required amount of oil to bring the level up to, but not over the “FULL” mark on the dipstick. Reinstall the oil filler cap to valve rocker arm cover and wipe any excess oil clean.
10. If all engine servicing is complete, replace 15 Amp fuse in control panel and turn the generator on and place in AUTO mode.

To make the task of adding oil more convenient, we recommend use of a funnel attached to a length of tubing long enough to reach from the Coolant Fill door to the oil fill opening on the engine valve cover.

## Engine V-Belts

The engine installed in this equipment uses drive belt(s) that drive the water pump and alternator. The drive belt(s) are an integral part of the cooling and charging system and should be inspected according to the maintenance schedule. When inspecting the belts, check for:

- Cracks
- Chunking of the belt
- Splits
- Material hanging loose from the belt
- Glazing, hardening

If any of these conditions exist, the belt should be replaced.

## Engine Coolant System

It is important that the cooling system of the engine be maintained properly to ensure proper performance and longevity.

**▲ WARNING** Hot pressurized coolant could cause serious injury.



- DO NOT open radiator cap when hot.
- Before servicing, allow coolant to cool.

**NOTICE:** Alcohol or methanol based anti-freeze or plain water are not recommended for use in the cooling system at any time.

The cooling system must be maintained according to the recommended maintenance schedule and inspection should include:

- The regular removal of dust, dirt, and debris from the radiator core and fan shroud.
- Inspection of coolant hoses and components for leaks, especially at the radiator hose connections. Tighten hose clamps if necessary.
- Check radiator hoses for swelling, separation, hardening, cracks, or any type of deterioration.
- Inspect the radiator cap to ensure proper sealing.

## Coolant

With the engine cold, check the coolant level in the coolant recovery bottle (see *Controls*). Specifications for the coolant system can be found in the *Maintenance* chart of this manual. Coolant Specification - ethylene glycol 50-50 mixture w/ distilled water.

## Engine Air Cleaner

Once each year service the air cleaner, as follows. If operating in a dusty environment, service more often.

1. Turn the generator off.
2. Remove 15 Amp fuse from control panel.
3. Remove filter cartridge - Remove the service cover by disengaging three clips and detaching cover, starting with the bottom two clips and the top clip last. Gently move the end of the filter back and forth, then rotate while pulling straight out.
4. Clean outlet tube and check Vacuator™ valve - Use a clean cloth to wipe the filter sealing surface and the outlet tube surfaces. Make sure that all contaminant is removed before the new filter is inserted. Be careful to not damage the sealing area on the tube.



Visually check and physically squeeze Vacuator valve attached to service cover to make sure it is flexible and not inverted, damaged or plugged.

5. Clean filter - Use a soft bristle brush to loosen dirt and a vacuum cleaner to remove dirt and debris. Low pressure air (not to exceed 25 psi) may also be used to blow away dirt. Replace filter cartridge if any holes are detected in filter media.
6. Install clean filter properly - Insert the filter carefully. Seat the filter by hand, making certain it is completely into the air cleaner housing before securing the cover in place. To complete a tight seal, apply pressure by hand at the outer rim of the filter, not the flexible center. (Avoid pushing on the center of the urethane end cap.) No cover pressure is required to hold the seal. NEVER use the service cover to push the filter into place! Using the cover to push the filter in could cause damage to the housing, cover, or fasteners and will void the warranty. If the service cover hits the filter before it is fully in place, remove the cover and push the filter (by hand) further into the air cleaner and try again. The cover should go on with no extra force.
7. Reinstall service cover - Once the filter is in place, reinstall the service cover, positioning the cover with the arrow and the word TOP to the top. Fasten the top clip first, the bottom two clips last. Make sure that all mounting bands, clamps, bolts, and connections in the entire air cleaner system are tight and verify absence of holes in piping - repair if needed.
8. Replace 15 Amp fuse in control panel.
9. Turn the generator on.

## Generator Electrical System Maintenance

The generator's electrical system incorporates computers to control various related components. The electrical system connections and ground circuits require good connections. Follow the recommended maintenance schedule located in the Maintenance section of this manual.

When inspecting the electrical system, check the following:

- Check positive (+) and negative (-) battery cables for corrosion, rubbing, chafing, burning, and ensure tight connections at both ends.
- Check battery for cracks or damage to the case. Replace as necessary.
- Inspect engine wire harness for rubbing, chafing, pinching, burning, and cracks or breaks in the wiring.
- Verify that the engine harness connectors are correctly locked in.
- Inspect ignition coil wire for hardening, cracking, chafing, burning, separation, and split boot covers.
- Inspect spark plug wires for hardening, cracking, chafing, burning, separation, and split boot covers.
- Replace spark plugs at the required intervals per the recommended maintenance schedule.
- Verify that all electrical components are securely mounted to the engine or chassis.
- Verify that any additional electrical services installed by the owner are properly installed in the system.

## Battery

Servicing of batteries is to be performed or supervised by personnel knowledgeable of batteries and the required precautions. Keep unauthorized personnel away from batteries.

**▲ WARNING** Battery posts, terminals and related accessories contain lead and lead compounds - chemicals known to the State of California to cause cancer and reproductive harm. Wash hands after handling.

## Servicing the Battery

If it is necessary to service the battery, proceed as follows:

1. Turn the generator off.
2. Remove 15 Amp fuse from control panel.
3. Service or replace battery as required. See *Battery* in *Final Installation Considerations* in the installation manual for specific battery needed.
4. Connect red battery cable to battery positive terminal (indicated by **POSITIVE, POS,** or **(+)**).

5. Connect black battery cable to negative battery terminal (indicated by **NEGATIVE, NEG,** or **(-)**).
6. Ensure hardware on both positive and negative battery terminals is secure.
7. Reinstall 15 Amp fuse in control panel.
8. Turn the generator on.
9. Reset exercise timer. See *Setting Exercise Timer*.



DON'T POLLUTE. CONSERVE RESOURCES,  
RETURN USED BATTERY TO RECYCLING  
COLLECTION CENTER.

## Charging the Battery

If it is necessary to charge the battery, proceed as follows:

1. Turn the generator on.
2. Remove 15 Amp fuse from control panel.
3. Disconnect negative battery cable from negative battery terminal (indicated by **NEGATIVE, NEG,** or **(-)**).

**NOTICE** Failure to disconnect negative battery cable will result in equipment failure.

- DO NOT attempt to jump start the generator.
  - Damage to equipment resulting from failure to follow this instruction will void engine and generator warranty.
4. Charge battery with battery charger at 2 Amps until battery holds 12 Volts. DO NOT exceed 13.7 volts when charging battery.
  5. Connect negative battery cable to negative battery terminal (indicated by **NEGATIVE, NEG,** or **(-)**).
  6. Ensure hardware on both positive and negative battery terminals is secure.
  7. Reinstall 15 Amp fuse in control panel.
  8. Turn the generator off.
  9. Reset exercise timer. See *Setting Exercise Timer*.



## Fuel System Inspection and Maintenance

### Natural Gas/Propane Fuel System

The fuel system installed on this industrial engine has been designed to various standards to ensure performance and reliability. To ensure compliance to these standards, follow the recommended maintenance schedule contained in this section.

### Pressure Regulator Maintenance and Inspection

**NOTICE:** The pressure regulator components have been specifically designed and calibrated to meet the fuel system requirements of the engine.

If the regulator fails to operate or develops a leak, it should be repaired or replaced with the OEM recommended replacement parts. When inspecting the regulator, check for the following items:

- Check for any fuel leaks at the inlet and outlet fittings.
- Check for any fuel leaks in the regulator body.
- Check to ensure the regulator is securely mounted and the mounting bolts are tight.
- Check the regulator for external damage.

### Venturi/Throttle Control Device Maintenance and Inspection

**NOTICE:** The venturi and throttle body components have been specifically designed and calibrated to meet the fuel system requirements of the engine.

When inspecting the venturi and throttle body, check for the following items:

**NOTICE:** A dirty air cleaner may significantly alter the venturi performance.

- Leaks at all fittings.
- Ensure the venturi and throttle body are securely mounted.
- Inspect air cleaner element according to the recommended maintenance schedule found in this section.
- Inspect air inlet hose connection and clamp. Inspect hose for cracking, splitting, or chaffing. Replace if any of these conditions exist.
- Check fuel lines for cracking, splitting, or chaffing. Replace if any of these conditions exist.
- Check for leaks at the throttle body and intake manifold.

## Exhaust System Maintenance and Inspection

When inspecting the exhaust system, check the following:

- Inspect exhaust manifold at the cylinder head for leaks and that all retaining bolts and shields (if used) are in place.
- Inspect manifold to exhaust pipe fasteners to ensure they are tight and that there are not exhaust leaks. Repair as necessary.
- Inspect the oxygen sensor electrical connector to ensure connector is seated and locked, check wires to ensure there is no cracking, splitting, chaffing, or burning. Replace or replace if necessary.
- Inspect exhaust pipe connection for leaks. Repair if necessary.

## Engine Exterior

Periodically inspect the engine exterior for contamination and potential damage from dirt, leaves, rodents, spider webs, insects, etc. and remove.

## When Calling for Assistance

You must have the following information at hand if it is necessary to contact a local service center regarding service or repair of this unit:

1. Obtain the unit Model Number and Serial Number from the unit ID label. See *Controls* for location of the label or refer to the information recorded on the inside front cover of the installation manual.
2. Obtain the engine identification numbers from the engine label. See the Installation manual for location of this information.

## Storage

The generator system is designed for long term service as a backup generator. There is no need to take any storage precautions. However, if it becomes necessary to take the system out of service for an extended period, call Technical Services at **800 743-4115**, between 8:00 AM and 5:00 PM CT for specific recommendations.

## Maintenance Chart

This maintenance schedule represents the manufacturer's recommended maintenance intervals to maintain proper engine/equipment function. Federal, State, or Local regulations may require additional or more frequent inspection or maintenance intervals than those specified above. Check with the authority having jurisdiction for details.

**Perform the following maintenance on the engine at the hours indicated and at equivalent hour intervals thereafter.**

Maintenance	Interval Hours									
	After each use	1000	1500	2000	2500	3000	3500	4000	4500	5000
<b>General Maintenance Section</b>										
Visual check for fluid leaks	X									
Check engine oil level	X									
Check coolant level	X									
Change engine oil and oil filter	<b>Every 100 hours or Annually</b>									
Check fuel system for leaks	<b>Before and after any service or maintenance activity</b>									
Inspect accessory drive belts		X		X		X		X		X
Inspect electrical system wiring				X				X		
Inspect all vacuum lines and fitting				X				X		
<b>Engine Coolant Section</b>										
Clean debris from radiator core	<b>Every 100 hours or 60 days of operation</b>									
Change coolant - ethylene glycol 50-50 mixture w/ distilled water		X		X		X		X		X
Inspect coolant hoses		X				X				X
Replace coolant hoses and accessory drive belt	<b>Every 2,000 Hours or two years, whichever occurs first</b>									
<b>Engine Ignition System</b>										
Inspect battery case for leaks/damage		X		X		X		X		X
Inspect battery cables		X		X		X		X		X
Inspect all electrical connector retainer locks		X		X		X		X		X
Replace spark plugs			X			X			X	
Inspect crank sensor timing wheel	<b>Every 100 hours or annually</b>									
Replace distributor cap and rotor				X				X		
Clean secondary ignition coil tower		X		X		X		X		X
Check spark plug wires				X						
Replace spark plug wires								X		
<b>Fuel System Maintenance</b>										
Inspect air cleaner	<b>Every 200 hours (or every 100 hours in severe environments) and Annually</b>									
Check fuel shut-off valve function				X				X		
Replace inline LPG filter		X		X		X		X		X
Check LPG shut-off solenoid valve function				X				X		
Check air induction system				X				X		
Check intake manifold					X					X
<b>Engine Exhaust System</b>										
Inspect exhaust manifold and piping				X				X		
Check oxygen sensor connector				X				X		

# Troubleshooting

Problem	Cause	Correction
<b>Engine is running, but no AC output is available.</b>	<ol style="list-style-type: none"> <li>1. Circuit breaker open or defective.</li> <li>2. Fault in generator control panel.</li> <li>3. Poor wiring connections or defective transfer switch.</li> </ol>	<ol style="list-style-type: none"> <li>1. Reset or replace circuit breaker.</li> <li>2. Contact local service facility.</li> <li>3. Check and repair.</li> </ol>
<b>Engine runs good at no-load but “bogs down” when loads are connected.</b>	<ol style="list-style-type: none"> <li>1. Short circuit in a connected load.</li> <li>2. Generator is overloaded.</li> <li>3. Shorted generator circuit.</li> <li>4. Fuel pressure or mixture is incorrect.</li> <li>5. Kinked fuel line.</li> </ol>	<ol style="list-style-type: none"> <li>1. Disconnect shorted electrical load.</li> <li>2. Turn off one or more loads.</li> <li>3. Contact local service facility.</li> <li>4. See <i>Gaseous Fuel System</i> in the Installation Manual.</li> <li>5. Remove kink. Replace if necessary.</li> </ol>
<b>Engine will not start; or starts and runs rough.</b>	<ol style="list-style-type: none"> <li>1. 15 Amp fuse missing or blown.</li> <li>2. Fuel supply turned off or depleted.</li> <li>3. Failed battery.</li> <li>4. Fuel pressure is incorrect</li> </ol>	<ol style="list-style-type: none"> <li>1. Install (new) 15 Amp fuse. See <i>System Control Panel</i>.</li> <li>2. Open fuel valve(s); check propane tank.</li> <li>3. Replace battery.</li> <li>4. See <i>Gaseous Fuel System</i> in the Installation Manual.</li> </ol>
<b>Engine shuts down during operation.</b>	<ol style="list-style-type: none"> <li>1. Fuel supply turned off or depleted.</li> <li>2. Fault indicator blinking.</li> </ol>	<ol style="list-style-type: none"> <li>1. Check fuel valves, fill propane tank.</li> <li>2. Count blinks and refer to <i>Fault Detection System</i>.</li> </ol>
<b>Loss of power on circuits.</b>	<ol style="list-style-type: none"> <li>1. Generator circuit breaker is open.</li> <li>2. Transfer switch problems.</li> </ol>	<ol style="list-style-type: none"> <li>1. Reset circuit breaker.</li> <li>2. See the transfer switch manual.</li> </ol>

NOT for REPRODUCTION

### **General Information**

The U.S. EPA, and Briggs & Stratton (B&S) are pleased to explain the emissions control system warranty on your Model Year 2010 and later engine / equipment. In the U.S., new Emergency Standby Engines greater than 25HP must be designed, built, and equipped to meet stringent emission standards. B&S must warrant the emissions control system on your engine / equipment. See Definition of appropriate use of Emergency Standby below. The emission-related warranty covers all components whose failure would increase an engine's non-evaporative emissions of any regulated pollutant referenced below.

### **Manufacturer's Warranty Coverage:**

Briggs & Stratton warrants that the engine is free from defects in material and workmanship, and is also designed, built, and equipped to conform to applicable regulations under Section 213 of the Clean Air Act, from the time the engine is sold, until the expiration of its warranty period.

This warranty applies to all emission related engine components whose failure would cause engine exhaust emissions to be out of EPA compliance. Further, this warranty also applies to other engine components damaged due to the failure of any of these emissions related components.

If a warrantable emissions related component on your engine is defective, the part will be repaired or replaced by B&S at no cost to you including diagnosis, parts, and labor.

Warranty coverage period is two years from date of original purchase, and is offered to the original purchaser and each subsequent purchaser so long as Owner's Warranty Responsibilities are adhered to.

### **Owner's Warranty Responsibilities:**

- Warranty claims shall be filed according to the provisions of the Briggs & Stratton Warranty Policy.
- An engine may not be warrantable if subjected to abuse, misuse, neglect, improper maintenance, unapproved modifications, accidents not caused by Briggs & Stratton engines or equipment, or by acts of God.
- Only those engines used as an Emergency Stationary Engine, as defined below, are warrantable.
- You are responsible for presenting your engine / equipment to a B&S distribution center, servicing dealer, or other equivalent entity, as applicable, as soon as a problem exists. The warranty repairs should be completed in a reasonable amount of time, not to exceed 30 days. If you have any questions regarding your warranty rights and responsibilities, you should contact B&S at 1-800-233-3723 or BRIGGSandSTRATTON.COM.
- If any components not scheduled for maintenance is repaired or replaced under this warranty, the new part will be warranted only for the remaining warranty period.
- If a warrantable component scheduled for maintenance fails prior to its first scheduled replacement, the part will be repaired or replaced by B&S at no charge to the owner. Any such component is only warrantable until the originally scheduled maintenance period has expired.
- Add on or modified parts that are not exempted by the EPA may not be used. The use of any non-exempted add on or modified parts by the owner will be grounds for disallowing a warranty claim. The manufacturer will not be liable to warrant failures or warranted parts caused by the use of a non-exempted add on or modified part.

### **MANUFACTURER OF RECORD**

IMPCO is the Manufacturer of Record for all Environmental Protection Agency (EPA) compliance issues related to the manufacture and use of the engine. Please refer to Emissions Warranty for further information.

### **Emergency Stationary Engine Definition**

An Emergency Stationary Engine is defined as any stationary internal combustion engine whose operation is limited to emergency situations and required testing and maintenance. Examples include stationary engines used to produce power for critical networks or equipment (including power supplied to portions of a facility) when electric power from the local utility (or the normal power source, if the facility runs on its own power production) is interrupted, or stationary engines used to pump water in the case of fire or flood, etc. Stationary engines used for peak shaving are not considered emergency stationary engines. Stationary engines used to supply power to an electric grid or that supply power as part of a financial arrangement with another entity are not considered to be emergency engines. Emergency stationary ICE may be operated for the purpose of maintenance checks and readiness testing, provided that the tests are recommended by Federal, State or local government, the manufacturer, the vendor, or the insurance company associated with the engine. Maintenance checks and readiness testing of such units is limited to 100 hours per year. There is no time limit on the use of emergency stationary engines in emergency situations. The owner or operator may petition the Administrator for approval of additional hours to be used for maintenance checks and readiness testing, but a petition is not required if the owner or operator maintains records indicating that Federal, State, or local standards require maintenance and testing of emergency ICE beyond 100 hours per year. Emergency stationary ICE may operate up to 50 hours per year in non-emergency situations, but those 50 hours are counted towards the 100 hours per year provided for maintenance and testing. The 50 hours per year for non-emergency situations cannot be used for peak shaving or to generate income for a facility to supply power to an electric grid or otherwise supply power as part of a financial arrangement with another entity. For owners and operators of emergency engines, any operation other than emergency operation, maintenance and testing, and operation in non-emergency situations for 50 hours per year, as permitted above is prohibited.

**BRIGGS & STRATTON POWER PRODUCTS GROUP, LLC  
STANDBY GENERATOR OWNER WARRANTY POLICY**

Effective September 1, 2010 - replaces all undated Warranties and Warranties dated before September, 2010.

**LIMITED WARRANTY**

Briggs & Stratton Power Products Group, LLC will repair or replace, free of charge, any part(s) of the equipment that is defective in material or workmanship or both. Travel expenses are reimbursed as specified under the Briggs & Stratton Warranty Guidelines document to authorized Briggs & Stratton dealers for performing applicable warranty repair work. This warranty is effective for the time periods and subject to the conditions stated below. For all warranty service, find the nearest Authorized Service Dealer in our dealer locator map at BRIGGSandSTRATTON.COM.

THERE IS NO OTHER EXPRESS WARRANTY. IMPLIED WARRANTIES, INCLUDING THOSE OF MERCHANTABILITY AND FITNESS FOR A PARTICULAR PURPOSE, ARE LIMITED TO ONE YEAR FROM PURCHASE, OR TO THE EXTENT PERMITTED BY LAW. ANY AND ALL IMPLIED WARRANTIES ARE EXCLUDED. LIABILITY FOR INCIDENTAL OR CONSEQUENTIAL DAMAGES ARE EXCLUDED TO THE EXTENT EXCLUSION IS PERMITTED BY LAW. Some states or countries do not allow limitations on how long an implied warranty lasts, and some states or countries do not allow the exclusion or limitation of incidental or consequential damages, so the above limitation and exclusion may not apply to you. This warranty gives you specific legal rights and you may also have other rights which vary from state to state or country to country.

**WARRANTY PERIOD**

<b>Generator</b>	<b>4 years</b>
<b>Engine</b>	<b>2 years</b>

The warranty period begins on the date of purchase by the first retail consumer and continues for the period of time stated above.

NO WARRANTY REGISTRATION IS NECESSARY TO OBTAIN WARRANTY ON BRIGGS & STRATTON PRODUCTS. SAVE YOUR PROOF OF PURCHASE RECEIPT. IF YOU DO NOT PROVIDE PROOF OF THE INITIAL PURCHASE DATE AT THE TIME WARRANTY SERVICE IS REQUESTED, THE MANUFACTURING DATE OF THE PRODUCT WILL BE USED TO DETERMINE THE WARRANTY PERIOD.

If you have any questions regarding your warranty rights and responsibilities, you should contact B&S at 1-800-233-3723 or BRIGGSandSTRATTON.COM.

**MANUFACTURER OF RECORD**

IMPCO is the Manufacturer of Record for all Environmental Protection Agency (EPA) compliance issues related to the use and performance of the engine. Please refer to Emissions Warranty for further information.

**ABOUT YOUR WARRANTY**

We welcome warranty repair and apologize to you for being inconvenienced. Any authorized service dealer may perform warranty repairs. Most warranty repairs are handled routinely, but sometimes requests for warranty service may not be appropriate. For example, warranty service would not apply if equipment damage occurred because of misuse, lack of routine maintenance, and shipping, handling, warehousing or improper installation. Similarly, the warranty is void if the manufacturing date or serial number(s) on the equipment has been removed or the equipment has been altered or modified. During the warranty period, the authorized service dealer, at its option, will repair or replace any part that, upon examination, is found to be defective under normal use and service. This warranty will not cover the following repairs and equipment:

- **Normal Wear:** Outdoor Power Equipment and engines, like all mechanical devices, needs periodic parts and service to perform well. This warranty does not cover repair when normal use has exhausted the life of a part or the equipment.
- **Installation and Maintenance:** This warranty does not apply to equipment or parts that have been subjected to improper or unauthorized installation or alteration and modification, misuse, negligence, accident, overloading, overspeeding, improper maintenance, repair or storage so as, in our judgment, to adversely affect its performance and reliability.

**Warranty terms continue on next page.**



**Exclusions:**

1. Wear items such as engine oil, oil gauges, o-rings, filters, fuses, spark plugs, anti-freeze, starting batteries, etc., or damage or malfunctions resulting from accidents, freezing, abuse, modifications, alterations, or improper servicing or chemical deterioration.
2. Any costs for adjustments, loose or leaking clamps or connections, installation or start-up operations fuel system cleaning and obstruction (due to chemical, dirt, carbon, lime, and so forth) and any failures caused by contaminated fuels, anti-freeze or oil, etc.
3. Units sold for primary power applications as defined by the U.S. & Canadian National Electric Codes, whether utility power exists or where utility power does not normally exist.  
 \* For purposes of this warranty, Prime Power is defined where the generator is a source of power where no electrical power is available from the UTILITY POWER GRID. If no UTILITY power is available, the generator is considered the prime power source.
4. Used, reconditioned, and demonstration equipment, equipment used in mobile or rental applications, and equipment used in life support applications.  
 "Rental use" means any use of this product in a temporary or semi-permanently installed rental application. Once equipment has experienced rental use, it shall thereafter be considered rental use for purposes of this warranty.
5. Bodily injuries including death which results from product's malfunction.
6. Enclosure is warranted against surface rust and corrosion for the first year of the warranty period.  
 Surface rust and corrosion is defined as any rust or corrosion that has penetrated the paint but has not penetrated through the metal substructure.  
 Enclosure is warranted against rust-through for the first three years of the warranty period.  
 Rust-through is defined as rust or corrosion that has penetrated completely through the paint and metal substructure.  
 Enclosure is not warranted for surface rust or corrosion or complete rust-through that may result due to improper installation, damage to painted surfaces that compromise the paint's corrosion prevention properties, or if the unit is installed in environments that expose the generator to high levels of corrosive agents.
7. Accessory parts.
8. Any loss of revenue that is a direct or indirect result of the malfunction of this unit.
9. Malfunctions caused by any force majeure event or external force beyond the manufacturer's control or Act of God such as, but not limited to freezing, theft, fire, collision, wars or riots, vandalism, lightning, earth quake wind storm, hail, volcanic eruption, water or flood damage, tornados, hurricanes, terrorist acts or nuclear holocaust.
10. Any incidental, consequential or indirect damages caused by defects in materials or workmanship or any delay in repair or replacement of the defective part(s).
11. Malfunction due to misapplication or misrepresentation.
12. Any mode of transportation deemed as abnormal in our judgment, such as planes, ferries, railroad, buses, helicopters, snowmobiles, snow-cats, off-road vehicles, etc.
13. Any and all expenses incurred investigating performance complaints unless defective Briggs & Stratton materials and/or workmanship were the direct cause of the malfunction.
14. Other rental equipment used while warranty repairs are being performed (i.e., generators, material handling equipment, etc.) 313539, Rev. -, 09/01/2010

**BRIGGS & STRATTON POWER PRODUCTS GROUP, LLC  
MILWAUKEE, WI, USA**

## Generator Specifications

**60kW**

**Rated Maximum Load Current** (at 40°C/104°F, LP or NG):  
 at 240 Volts\*\* 146 Amps at 1.0pf\*\*

**Rated AC Voltage** 120/240 Volts\*\*

**Phase** Three phase

**Rated Frequency** 60 Hertz

**Normal Operating Range** -20°F (-28.8°C) to 104°F (40°C)

**Output Sound Level** 65 dB(A) at 23 ft. (7 m)  
 at normal load

**Shipping Weight** 2120 lb (962 kg)

Series 60000*	Voltage	Rated Amps
3 Phase Wye	120/208	215
3 Phase Wye	139/240	186
3 Phase Delta	120/240	186
3 Phase Wye	240/416	108
3 Phase Wye	277/480	93
3 Phase Wye	346/600	73

\* Natural gas rating will depend on specific fuel but typical derates are between 10 to 20% off the LP gas rating.

\*\* Determine Voltage and Rated Amps using the chart to the right.

This generator is rated in accordance with UL (Underwriters Laboratories) 2200 (stationary engine generator assemblies) and CSA (Canadian Standards Association) standard C22.2 No. 100-4 (motors and generators).



**Generator Systems**

## Manual del operario



**Sistema generador  
enfriado por líquido**



Este generador está clasificado conforme a la norma UL (Underwriters Laboratories) 2200 (grupos generadores de motor fijo) y a la norma C22.2 No. 100-04 (motores y generadores) de la CSA (Canadian Standards Association [Asociación canadiense de normalización]).

**Gracias** por adquirir este generador de reserva Briggs & Stratton de alta calidad. Nos complace que haya depositado su confianza en la marca Briggs & Stratton. Si se utiliza y mantiene conforme a las instrucciones de este manual, el generador le ofrecerá muchos años de servicio fiable.

**Este manual contiene** información de seguridad sobre los riesgos asociados con los generadores de reserva y sobre cómo evitarlos. Puesto que no conoce necesariamente todas las aplicaciones para las que se puede usar este equipo, es importante que lea y comprenda perfectamente estas instrucciones antes de poner en marcha o utilizar este equipo. Este producto es sólo para utilizarlo como un sistema de generador opcional y constituye una fuente alternativa de energía eléctrica con capacidad para alimentar cargas tales como sistemas de calefacción, refrigeración y de telecomunicaciones, que cuando dejan de funcionar a causa de una interrupción de la alimentación eléctrica de la red, pueden producir incomodidades o molestias.

**Guarde estas instrucciones para futuras consultas.**

**Antes de utilizar el generador de reserva, es necesario que lo instale un profesional.** Consulte en el Manual de instalación las instrucciones relativas a la seguridad de los procedimientos de instalación. El instalador deberá seguir las instrucciones al pie de la letra.

## **Dónde encontrarnos**

Nunca tendrá que buscar mucho para poder obtener soporte y servicio técnico para su equipo generador de reserva. Consulte las páginas amarillas. Hay muchos distribuidores de servicio autorizados de Briggs & Stratton que ofrecen servicio de calidad. También puede dirigirse al departamento de servicio al cliente de Briggs & Stratton llamando al **800 743-4115** de 8:00 a. m. a 5:00 p. m. Hora del Centro, o haga clic en Buscar un distribuidor en [BRIGGSandSTRATTON.COM](http://BRIGGSandSTRATTON.COM) para que aparezca una lista de distribuidores autorizados.

**Registre el modelo y los números de serie del generador y del motor en el manual de instalación.**

Briggs & Stratton Power Products Group, LLC  
P.O. Box 702  
Milwaukee, WI 53201-0702

Copyright © 2013. Reservados todos los derechos. Queda prohibida la reproducción o transmisión total o parcial de este material, sin el permiso previo y por escrito de Briggs & Stratton Power Products Group, LLC.

# Tabla de contenido

<b>Instrucciones importantes de seguridad</b> .....	<b>4</b>
<b>Instalación</b> .....	<b>8</b>
Para el propietario: .....	8
Orientación para el propietario .....	8
Factores relacionados con el combustible .....	9
Ubicación del generador .....	10
Inspección al momento de la entrega .....	11
<b>Controles</b> .....	<b>12</b>
Panel de control del sistema .....	14
Puertas de acceso .....	15
<b>Utilización</b> .....	<b>16</b>
Funcionamiento automático .....	16
Configuración del temporizador de práctica .....	17
<b>Mantenimiento</b> .....	<b>17</b>
Sistema de detección de fallas .....	17
Mantenimiento del generador .....	19
Aceite del motor .....	20
Batería .....	24
Almacenamiento .....	25
<b>Cuadro de mantenimiento</b> .....	<b>26</b>
<b>Resolución de problemas</b> .....	<b>27</b>
<b>Garantía</b> .....	<b>28</b>
<b>Especificaciones del producto</b> .....	<b>32</b>

NOT for REPRODUCTION

# Conserve estas instrucciones

## Instrucciones importantes de seguridad

**GUARDE ESTAS INSTRUCCIONES** - Este manual contiene instrucciones importantes que se deben seguir durante la instalación y el mantenimiento del generador y de las baterías.

### Símbolos sobre la seguridad y significados



Explosión



Fuego



Descarga eléctrica



Gases tóxicos



Partes en movimiento



Superficie caliente



Arranque automático



Presión explosiva



Quemaduras química



Correa/polea giratoria



Aspa giratoria del ventilador



Batería con riesgo de explosión



Peligro al elevar



Lea el manual

**▲** El símbolo de alerta de seguridad indica un posible riesgo para su integridad física. Se utiliza una palabra de señalización (PELIGRO, ADVERTENCIA o ATENCIÓN) junto con el símbolo de alerta para designar un grado o nivel de gravedad de riesgo. Se puede utilizar un símbolo de seguridad para representar el tipo de riesgo. La palabra de señalización AVISO se utiliza para hacer referencia a una práctica no relacionada con una lesión física.

**▲ PELIGRO** indica un riesgo que, de no evitarse, *provocará* la muerte o lesiones de gravedad.

**▲ ADVERTENCIA** indica un riesgo que, de no evitarse, *podría provocar* la muerte o lesiones de gravedad.

**▲ ATENCIÓN** indica un riesgo que, de no evitarse, *podría provocar* lesiones leves o moderadas.

**AVISO** hace referencia a una práctica no relacionada con una lesión física.

El fabricante no puede prever todas las posibles circunstancias que pueden implicar riesgos. Por lo tanto, las advertencias que aparecen en este manual y las etiquetas y calcomanías adheridas a la unidad no incluyen todas las posibilidades. Si aplica un procedimiento, método de trabajo o técnica de operación no recomendada específicamente por el fabricante, debe estar seguro de que se trata de una práctica segura para usted y para otras personas. También debe asegurarse de que el procedimiento, método de trabajo o técnica de operación que elija, no haga que el generador se torne inseguro.

**▲ ADVERTENCIA** Los motores en funcionamiento emiten monóxido de carbono, un gas tóxico, inodoro e incoloro. La inhalación de monóxido de carbono puede provocar lesiones graves, dolor de cabeza, fatiga, mareos, vómitos, confusión, convulsiones, náuseas, desmayos o incluso la muerte.

- Haga funcionar este producto ÚNICAMENTE a la intemperie en una zona en donde no se acumulen gases de escape mortales.
- Evite que los gases de escape entren por ventanas, puertas, tomas de aire de ventilación, ventilaciones en plafones, entresuelos, puertas de garaje abiertas u otras aberturas que permitan que entre o se arrastre dentro de un edificio o estructura que pueda estar habitado.
- Los detectores del monóxido de carbono deben ser instalados y deben ser mantenidos dentro según las instrucciones del fabricante recomendaciones. Los detectores de humo no pueden discernir gas de monóxido de carbono.

**▲ ADVERTENCIA** El escape del motor de este producto contiene elementos químicos reconocidos en el Estado de California por producir cáncer, defectos de nacimiento u otros daños de tipo reproductivo.

**▲ ADVERTENCIA** Determinados componentes en este producto y los accesorios relacionados contienen sustancias químicas declaradas cancerígenas, causantes de malformaciones, y otros defectos congénitos por el Estado de California. Lávese las manos después de manipular estos elementos.



**⚠ ADVERTENCIA** Las baterías almacenadas producen hidrógeno explosivo mientras estén siendo recargadas. Una pequeña chispa puede encender el hidrógeno y causar una explosión.



El fluido de electrolito de la batería contiene ácido y es extremadamente cáustico.

El contacto con el fluido de la batería puede causar quemaduras químicas severas.

Las baterías presentan un riesgo de descarga eléctrica y de elevada corriente de cortocircuito.

- NO deseche la batería tirándola al fuego. Recicle la batería.
- No permita ninguna llama abierta, chispa, calor, o encienda un cigarrillo durante y por varios minutos después de haber recargado la batería.
- NO abra ni manipule la batería.
- Utilice gafas de protección, y delantal, botas y guantes de goma.
- No lleve relojes, anillos ni otros objetos metálicos.
- Utilice herramientas con mangos aislados.

**⚠ ADVERTENCIA** El Gas Natural y el Propano son extremadamente inflamables y explosivos. El fuego o una explosión pueden causar quemaduras severas e inclusive la muerte.



- Instale el sistema de suministro de combustible de acuerdo con NFPA 37 o los códigos de gas combustible que correspondan.
- Antes de poner en servicio el sistema de generador de, se deben purgar las líneas del sistema de combustible y se debe probar si presentan pérdidas.
- Una vez instalado el sistema, se lo debe inspeccionar en forma periódica.
- NO se debe permitir que se produzca ninguna pérdida.
- NO haga funcionar el motor si se percibe olor a combustible o si existe alguna otra fuente de ignición.
- NO fume cerca del generador. Limpie en forma inmediata cualquier derrame de aceite. Asegúrese de no dejar materiales combustibles en el compartimiento del generador. Mantenga el área próxima al generador limpia y libre de desperdicios.

**⚠ ADVERTENCIA** Los generadores producen un voltaje muy poderoso.



Si no hace tierra apropiadamente con un generador, puede hacer que ocurra un electrocutamiento.

Si no aísla el generador de utilidades de energía, puede hacer que los trabajadores de electricidad sufran heridas graves e inclusive la muerte, debido a la retroalimentación de la energía eléctrica.

- Cuando use un generador como poder de energía auxiliar, notifique a la compañía de utilidades.
- NO toque los cables pelados ni las tomas expuestas.
- NO use un generador con cables eléctricos que estén malgastados, rotos, pelados o dañados de cualquier forma.
- NO maneje el generador o cables eléctricos mientras esté parado en agua, descalzo o cuando las manos y los pies estén mojados.
- Si tiene que trabajar junto a una unidad en funcionamiento, manténgase en una superficie aislada y seca para reducir el riesgo de descarga eléctrica.
- NO permita que personas descalificadas o niños operen o sirvan al generador.
- En caso de que se produzca un accidente causado por una descarga eléctrica, cierre inmediatamente la fuente de energía eléctrica y contacta administración local. **Evite el contacto directo con la víctima.**
- A pesar del diseño seguro del sistema de generador de, si se opera este equipo en forma imprudente, si no se cumple con el mantenimiento o si se actúa con descuido, se pueden producir lesiones o la muerte.
- Permanezca siempre alerta cuando trabaje con este equipo. NUNCA trabaje con este equipo si se siente cansado física o mentalmente.
- Antes de realizar cualquier tarea de mantenimiento en el generador, desconecte primero el cable de la batería marcado como **NEGATIVE, NEG** o (-). Cuando haya terminado, vuelva a conectar el cable en último lugar.
- Después de instalar el sistema generador, puede arrancarse y comenzar a funcionar sin previo aviso cada vez que se presente una falla eléctrica. Para evitar posibles lesiones, siempre fije el conmutador del sistema en **OFF**, Y retire el fusible de 15 Amperios ANTES de realizar trabajos en el equipo.



**⚠ ADVERTENCIA** El contacto con la zona del silenciador puede producir quemaduras graves.



Los gases y el calor de escape pueden inflamar los materiales combustibles y las estructuras y provocar un incendio.

- NO toque las superficies calientes y evite los gases del escape a alta temperatura.
- Permita que el equipo se enfríe antes de tocarlo.
- NO coloque el lado opuesto del escape de la caja a prueba de intemperie a menos de 45,7 cm (18 pulgadas) de cualquier estructura.
- En el lado de salida del escape de la caja a prueba de intemperie debe haber lo menos 1,5 m (5 pies) libres de cualquier estructura, arbusto, árbol o cualquier tipo de vegetación.
- La caja a prueba de intemperie del generador de reserva debe estar por lo menos a 1,5 m (5 pies) de las ventanas, puertas, de cualquier abertura en la pared, arbusto o vegetación que tenga más de 30,5 cm (12 pulgadas) de alto.
- La caja a prueba de intemperie del generador de reserva debe tener un espacio libre mínimo de 1,2 m (4 pies) por arriba respecto a cualquier estructura, saliente o árbol.
- NO coloque la caja a prueba de intemperie bajo una plataforma u otro tipo de estructura que pueda limitar el flujo de aire.
- UTILICE SOLAMENTE el tubo de combustible flexible de acero que se le proporcionó. Conecte al generador el tubo de combustible que se le proporcionó; NO utilice otro tubo de combustible flexible ni lo sustituya.
- Los detectores de humo deben ser instalados y deben ser mantenidos dentro según las instrucciones del fabricante recomendaciones. Las alarmas del monóxido de carbono no pueden discernir el humo.
- Mantenga por lo menos las distancias mínimas que se muestran en las Colocación del generador del Manual de instalación de colocación para garantizar la refrigeración del generador y el espacio libre para mantenimiento adecuados.
- Utilizar el motor en un terreno boscoso, con maleza o cubierto de hierba constituye una infracción al Código de recursos públicos de California, a menos que el sistema de escape esté equipado con una pantalla apagachispas, de acuerdo a la definición de la Sección 4442, que se mantenga en buenas condiciones de funcionamiento. En otros estados o jurisdicciones federales puede haber leyes similares en vigor. Póngase en contacto con el fabricante, el vendedor o el distribuidor del equipo original para obtener una pantalla apagachispas diseñada para el sistema de escape instalado en este motor.
- Las piezas de recambio deben ser las mismas que las piezas originales y estar instaladas en la misma posición.

**⚠ ADVERTENCIA** Tensión peligrosa - El contacto con los cables eléctricos puede provocar electrocución y quemaduras.



Peligro al elevar el equipo/objeto pesado - Puede provocar daños en los músculos y en la espalda.

- Si utiliza equipos de elevación o izado, EVITE el contacto con los cables eléctricos.
- NO eleve ni mueva el generador sin ayuda.
- NO levante la unidad por la parte superior; podría provocar daños en el generador.

**⚠ ADVERTENCIA** Las piezas en movimiento pueden aplastar y cortar.



El arrancador y otras piezas que rotan pueden enredar las manos, el pelo, la ropa, o los accesorios.

- NUNCA utilice el generador sin las carcasas, tapas o guardas de protección en su lugar.
- NO use ropa suelta, joyas o elementos que puedan quedar atrapados en el arranque o en otras partes rotatorias.
- Ate para arriba el pelo largo y quite la joyería.
- Antes de trabajar en el equipo, quite el fusible de 15 A del panel de control y desconecte el cable Negativo de la batería (NEG o -).

**⚠ ADVERTENCIA** El refrigerante presurizado caliente puede provocar lesiones y/o daños materiales de gravedad.



- NO abra la tapa del radiador cuando esté caliente.
- Antes de trabajar en el equipo, permita que el refrigerante se enfríe.

**⚠ ATENCIÓN** Instala el fusible se puede producir el arranque del motor.



- Tenga en cuenta que el fusible de 15 Amperios ha sido retirado del panel de control para realizar el envío.
- NO instale este fusible hasta que no se hayan completado e inspeccionado todas las conexiones de cables y tuberías.

**▲ ATENCIÓN** Las velocidades de operación en exceso, aumentan los riesgos de heridas y daños al generador. Las velocidades excesivamente bajas incrementan la carga de trabajo del generador.

- NO cambie ninguna velocidad determinada. El generador suministra una frecuencia y un voltaje calificado cuando funciona a una velocidad determinada.
- NO modifique al generador en ninguna forma.

**AVISO** El tratamiento inadecuado del generador puede dañarlo y acortar su vida productiva.

- Use el generador solamente con la finalidad para el cual fue diseñado.
- Si usted tiene alguna pregunta acerca de las finalidades de uso del generador, pregúntele a su concesionario o contacte distribuidor autorizado.
- Opere el generador solamente en superficies niveladas.
- Para la correcta operación del generador es fundamental contar con ventilación y una circulación de aire de refrigeración adecuada y que no sufra obstrucciones.
- La puerta de servicio deben estar instaladas siempre que la unidad esté en funcionamiento.
- No exponga al generador a una humedad excesiva, polvo, suciedad o vapores corrosivos.
- Permanezca siempre alerta cuando trabaje con este equipo. NUNCA trabaje con este equipo si se siente cansado física o mentalmente.
- NUNCA encienda el motor si el filtro de aire o su cubierta han sido retirados.
- NO inserte cualquier objeto a través de las ranuras de enfriamiento.
- NUNCA utilice el generador ni ninguna de sus piezas como escalera. Si se sube sobre la unidad, sus piezas se pueden ver sobreexigidas y pueden romperse. Esto puede dar como resultado condiciones de operación peligrosas como consecuencias de la fuga de gases del escape, pérdida de combustible, pérdida de aceite, etc.
- Si los aparatos conectados se sobrecalientan, apáguelos y desconéctelos del generador.

Apague el generador si

- Se pierde la salida eléctrica;
- El equipo produce chispas, humo o emite llamas;
- La unidad vibra de una manera excesiva;
- La unidad hace ruidos extraños.

# Instalación

Agradecemos sinceramente su confianza. Por esta razón, tenemos realizado el máximo esfuerzo para que la instalación resulte segura, sencilla y económica. Porque cada instalación es única, es imposible conocer y recomendar todos los procedimientos y métodos posibles para efectuarla. No podemos conocer todos los riesgos y/o resultados posibles de cada método o procedimiento.

Este producto es sólo para utilizarlo como un sistema de generador opcional y constituye una fuente alternativa de energía eléctrica con capacidad para alimentar cargas tales como sistemas de calefacción, refrigeración y de telecomunicaciones, que cuando dejan de funcionar a causa de una interrupción de la alimentación eléctrica de la red, pueden producir incomodidades o molestias.

**AVISO** Este producto NO pertenece a la categoría de reserva de emergencia o sistema de reserva requerido por ley, según lo definido en la norma NFPA 70 (NEC).

- Los sistemas de generador de emergencia están pensados para suministrar, de manera automática, iluminación, alimentación (o ambos) en áreas designadas y equipo en caso de un fallo en el suministro normal. Los sistemas de emergencia también pueden suministrar alimentación eléctrica para funciones tales como ventilación, en los casos en los que es esencial para sostener vida, cuando una interrupción del suministro de corriente normal produciría graves peligros para la seguridad o daños a la salud.
- Los sistemas de generador de reserva requeridos por ley están previstos para suministrar alimentación de manera automática a determinadas cargas en caso de fallo en la fuente normal, lo que podría poner en peligro u obstaculizar el rescate u operaciones para apagar incendios.

Por tanto, **la instalación del sistema de generador sólo puede ser llevada a cabo por un electricista y un fontanero con licencia vigente.**

El generador incluye este "Manual del operario" y un "Manual de instalación" separado. Estos son dos documentos muy importantes que el propietario debe conservar una vez finalizada la instalación.

## Para el propietario:

Para que pueda tomar decisiones fundamentadas y lograr una comunicación efectiva con el o los contratistas de instalación, **lea y comprenda la sección de este manual denominada *Orientación para el propietario* ANTES de contratar o iniciar la instalación de su generador.**

Para coordinar y organizar una instalación adecuada, consulte

al comercio en el cual adquirió su generador, a su agente de ventas o a la compañía proveedora de electricidad.

**La garantía del HGS se ANULA si la instalación del sistema no está a cargo de profesionales especializados en electricidad y plomería debidamente certificados y matriculados.**

Se ha hecho cada esfuerzo posible para asegurarse que la información que aparece en este manual es exacta y se encuentra actualizada. Sin embargo, nosotros se reserva el derecho a cambiar, alterar o de otra manera mejorar, el producto y este documento en cualquier momento, sin previo aviso.

El sistema de control de emisiones para este generador está garantizado para las normas establecidas por la Agencia de Protección Ambiental de EE.UU. y por el Consejo de Recursos del Aire de California (CARB). Para el agente de ventas / contratista que realiza la instalación:

Para la mayoría de las aplicaciones, el manual de instalación contiene toda la información necesaria para instalar y arrancar adecuadamente el generador. En este manual del operario se describe la operación de rutina y los procedimientos de mantenimiento que debe llevar a cabo el propietario.

Si necesita más información, llame al **800 743-4115**, entre las 8:00 AM y las 5:00 PM hora del centro.

## Orientación para el propietario

En esta sección se brinda al propietario del generador la información necesaria para lograr la instalación más rentable y satisfactoria posible.

Las ilustraciones se aplican a circunstancias típicas y están destinadas a que usted se familiarice con las opciones de instalación disponibles con su generador. El entendimiento completo de dichas opciones permite tener un control fundamental sobre el costo de la instalación y garantiza su seguridad y satisfacción final.

Los códigos locales, la apariencia, los niveles de ruido, los tipos de combustible y las distancias son los factores fundamentales a tener en cuenta cuando se realiza la negociación con el profesional que tendrá a su cargo la instalación. Recuerde que a medida que la distancia del servicio de electricidad existente y del suministro de combustible aumenta, se deberá prever una compensación en la tubería y los materiales de cableado. Esto es necesario para cumplir con los códigos locales y solucionar caídas en la tensión eléctrica y caídas en la presión del combustible gaseoso.

**Los factores antes mencionados tendrán un efecto directo sobre el precio general de la instalación del generador.**

En algunas áreas, es posible que deba obtener permisos especiales para las instalaciones eléctricas del generador, permisos de construcción para la instalación de las líneas de gas y permisos para niveles de ruido admisibles. El instalador debe verificar los códigos locales Y obtener los permisos correspondientes antes de instalar el sistema.

## Factores relacionados con el combustible

El tipo de combustible utilizado para hacer funcionar el generador es un aspecto importante que hay que tener en cuenta ya que afecta a toda la instalación. El sistema se ha probado y regulado en fábrica con gas natural o propano líquido (vapor de PL). Para el buen funcionamiento del motor, es importante tener en cuenta las siguientes directrices con relación a los factores inherentes a cada uno de los combustibles, la ubicación de la unidad y la duración de las posibles interrupciones del suministro eléctrico:

- Utilice combustible limpio y seco, libre de humedad o cualquier otro material. Si se utilizan combustibles que no cumplan con estos valores recomendados se pueden presentar problemas de funcionamiento.
- En motores preparados para funcionar a gas propano (PL), el propano comercial de grado HD5 con un nivel de energía combustible mínimo de 2500 BTU/pie cúbico con un contenido de propileno máximo del 5% y un contenido de gas butano o gases más pesados y un contenido mínimo de propano de 90%.

Los valores nominales de gas natural dependerán del combustible específico, pero por lo general se encuentran entre el 10 y el 20% por debajo de los valores nominales para PL.

**⚠ ADVERTENCIA** El Gas Natural y el Propano son extremadamente inflamables y explosivos. El fuego o una explosión pueden causar quemaduras severas e inclusive la muerte.



- Este equipo cuenta con una válvula automática de seguridad de cierre de combustible.
- No haga funcionar el equipo si la válvula de cierre de combustible no funciona o ha sido retirada.

## Disminución de la potencia a temperaturas elevadas o en lugares altos

La densidad del aire es menor en alturas elevadas, dando como resultado una menor energía disponible del motor. Específicamente, la potencia del motor disminuirá un 3% cada 1000 pies (300 metros) por sobre el nivel del mar y un 1% cada 10° F (5.6°C) por encima de los 77°F (25°C). Tanto usted como el instalador deben tener en cuenta estos factores cuando determinen la carga total del generador.

NOT  
for  
REPRODUCTION

Español

es

## **Inspección al momento de la entrega**

Luego de retirar la caja, inspeccione cuidadosamente el generador para detectar cualquier daño que pudiera haber ocurrido durante el traslado.

Si en el momento de la entrega se detecta alguna pérdida o daño, solicite a la persona o personas encargadas de la entrega que dejen debida constancia en la nota de entrega y que firmen debajo de la nota del consignador donde se informa acerca de la pérdida o daño. Si la pérdida o el daño se detecta después de la entrega, separe los materiales dañados y póngase en contacto con el transportista para llevar a cabo los procedimientos de reclamo. Las piezas perdidas o dañadas no están garantizadas.

## **El generador incluye lo siguiente:**

- Sistema refrigerante con todos los servicios
- Sistema de aceite/lubricante con todos los servicios
- Acoplamiento flexible para combustible
- Manual de instalación y arranque
- Manual del operario
- Llaves para puerta de acceso
- Fusible de repuesto tipo ATO de 15 A
- Conector del panel de control de diez clavijas
- Pintura de contacto
- Kit de LED remotos (LED/placa/tornillos)

## **No incluye:**

- Batería de arranque
- Solera de cemento
- Cable y conducto de conexión
- Válvulas/tubería de suministro de combustible
- Herramientas/equipos especiales diversos

NOT  
for  
REPRODUCTION

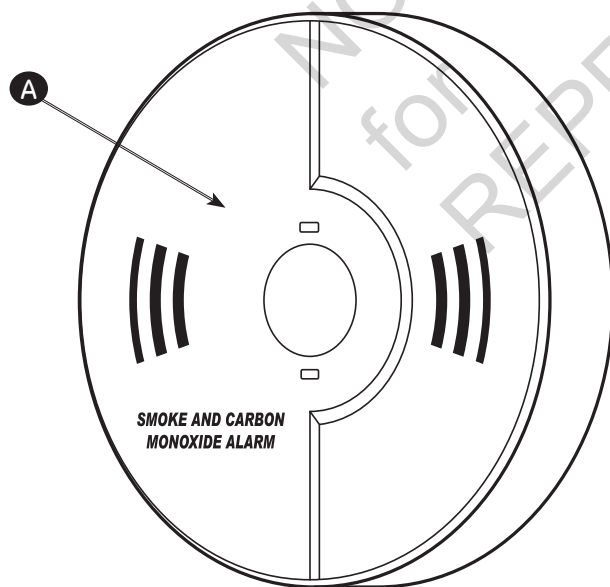
## Ubicación del generador

La ubicación física real de su generador de respaldo tiene un efecto directo en:

1. La magnitud de las conexiones necesarias para entregar combustible al generador.
2. La cantidad de cableado requerido para controlar y conectar su generador.

En el manual de instalación se analizan las pautas específicas para la ubicación. Familiarícese con esa información y consulte al instalador. Asegúrese de consultar de qué manera el predio o sitio podría afectar los costos de instalación y el cumplimiento de las normas y los códigos locales.

- Instale el generador a la intemperie en una zona en donde no se acumulen gases de escape mortales.
- NO instale el generador en lugares en los que los gases de escape se puedan acumular o entrar a un edificio o estructura que pueda estar habitado.
- En muchos estados, por ley, es necesario que en los hogares se cuente con un detector de monóxido de carbono (CO) en buenas condiciones de funcionamiento. Instale y dé mantenimiento a los detectores de CO bajo techo **A** de acuerdo con las instrucciones/recomendaciones del fabricante. El monitor de CO es un dispositivo electrónico que detecta niveles peligrosos de CO. Cuando hay acumulación de CO, el monitor alerta a los ocupantes con una luz centellante y una alarma. Las alarmas de humo no pueden detectar el gas CO.



**⚠️ ADVERTENCIA** Los motores en funcionamiento emiten monóxido de carbono, un gas tóxico, inodoro e incoloro. La inhalación de monóxido de carbono puede provocar lesiones graves, dolor de cabeza, fatiga, mareos, vómitos, confusión, convulsiones, náuseas, desmayos o incluso la muerte.

- Haga funcionar este producto ÚNICAMENTE a la intemperie en una zona en donde no se acumulen gases de escape mortales.
- Evite que los gases de escape entren por ventanas, puertas, tomas de aire de ventilación, ventilaciones en plafones, entresuelos, puertas de garaje abiertas u otras aberturas que permitan que entre o se arrastre dentro de un edificio o estructura que pueda estar habitado.
- Los detectores del monóxido de carbono deben ser instalados y deben ser mantenidos dentro según las instrucciones del fabricante recomendaciones. Los detectores de humo no pueden discernir gas de monóxido de carbono.

**⚠️ ADVERTENCIA** Los gases/calor del escape podría encender combustibles o estructuras y provocar daños materiales, lesiones graves y/o la muerte.

- NO coloque el lado opuesto del escape de la caja a prueba de intemperie a menos de 45,7 cm (18 pulgadas) de cualquier estructura.
- En el lado de salida del escape de la caja a prueba de intemperie debe haber lo menos 1,5 m (5 pies) libres de cualquier estructura, arbusto, árbol o cualquier tipo de vegetación.
- La caja a prueba de intemperie del generador de reserva debe estar por lo menos a 1,5 m (5 pies) de las ventanas, puertas, de cualquier abertura en la pared, arbusto o vegetación que tenga más de 30,5 cm (12 pulgadas) de alto.
- La caja a prueba de intemperie del generador de reserva debe tener un espacio libre mínimo de 1,2 m (4 pies) por arriba respecto a cualquier estructura, saliente o árbol.
- NO coloque la caja a prueba de intemperie bajo una plataforma u otro tipo de estructura que pueda limitar el flujo de aire.
- UTILICE SOLAMENTE el tubo de combustible flexible de acero que se le proporcionó. Conecte al generador el tubo de combustible que se le proporcionó; NO utilice otro tubo de combustible flexible ni lo sustituya.
- Los detectores de humo deben ser instalados y deben ser mantenidos dentro según las instrucciones del fabricante recomendaciones. Las alarmas del monóxido de carbono no pueden discernir el humo.
- NO coloque la caja a prueba de intemperie en ninguna otra posición que no sea la que se indica.

- Asegúrese de que los gases de escape no entren por ventanas, puertas, tomas de aire de ventilación, ventilaciones en plafones, entresuelos, puertas de garaje abiertas u otras aberturas que permitan que entre o se arrastre dentro de un edificio o estructura que pueda estar habitado. Los vecinos puede quedar expuesta a los gases de escape del motor de su generador de reserva; esta situación debe tomarla en cuenta al instalar su generador de reserva.

En el manual de instalación se analizan las pautas específicas para la ubicación.

Español

es



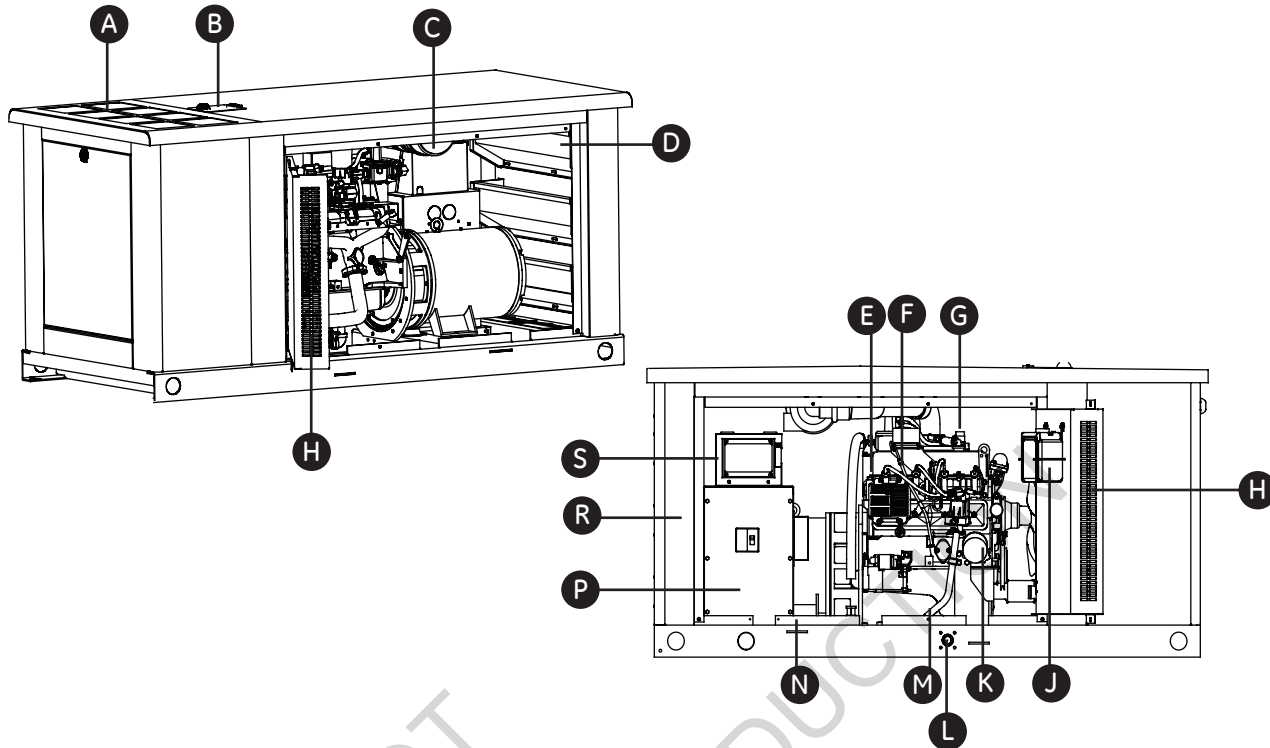
# Controles

## Generador - 60,000 Vatios



Lea este manual del operario y las Instrucciones Importantes de seguridad **antes** de operar su generador. Compare las ilustraciones con su generador para familiarizarse con las ubicaciones de los diferentes controles y ajustes.

**Conserve este manual para referencias futuras.**



El generador se muestra sin las puertas de acceso y con la protección de pantalla abierta para una mayor claridad.

**A - Orificio de escape** — El silenciador de alto rendimiento reduce el ruido del motor conforme a la mayoría de los códigos de uso residencial.

**B - Puerta de carga de refrigerante** — Ofrece acceso para cargar refrigerante para el motor.

**C - Filtro de aire** — Filtra el polvo y la suciedad del aire de entrada para proteger el motor.

**D - Abertura de la puerta de la batería** — Ofrece acceso a la batería de arranque y al filtro de aire.

**E - Etiqueta del motor** — Identifica el modelo y tipo del motor.

**F - Varilla de nivel de aceite** — Se usa para comprobar el nivel de aceite del motor.

**G - Tapa de carga de aceite** — Se retira para cargar el aceite recomendado para el motor.

**H - Protección de malla** — Evita que los dedos toquen el ventilador del radiador y contiene la botella de recuperación de refrigerante. Debe permanecer cerrada mientras el generador esta en uso.

**J - Botella de recuperación de refrigerante** — Se encuentra dentro de la protección de malla. Ofrece una indicación visual del nivel de refrigerante del motor.

**K - Filtro de aceite** — Filtra el aceite del motor para prolongar la vida del sistema.

**L - Entrada de combustible** — Aquí se conecta el suministro de combustible.

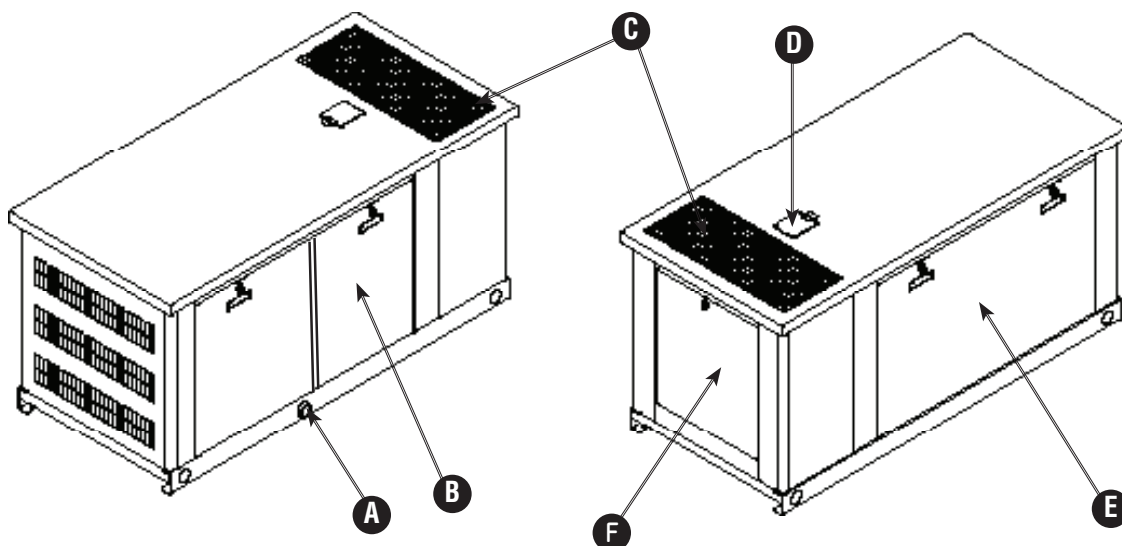
**M - Manguera de purga de aceite** — Sirve para facilitar el cambio de aceite.

**N - Etiqueta de identificación (ubicada en la base)** — Identifica la unidad por su número de serie.

**P - Caja del disyuntor** - Equipada con un panel inferior desmontable que permite conectar los conductos.

**R - Abertura de la puerta del panel de control** — Ofrece acceso al panel de control, filtro de aceite, etc.

**S - Panel de control** — Se utiliza para varias funciones de prueba, operación y mantenimiento. Consulte Panel de control del sistema.



## Puertas de acceso

El generador está equipado con una protección con puertas de acceso. Los nombres de las puertas están relacionados con el componente importante ubicado detrás de ellas:

- A** Orificio de entrada de combustible (se muestra como referencia)
- B** Puerta del panel de control (puede ser de dos puertas)
- C** Orificio de gases de escape (se muestra como referencia)
- D** Puerta de llenado de refrigerante
- E** Puerta de batería
- F** Puerta de Silenciador

**⚠ ADVERTENCIA** El contacto con la zona del silenciador puede producir quemaduras graves.



- NO toque las superficies calientes y evite los gases del escape a alta temperatura.
- Permita que el equipo se enfríe antes de tocarlo.

La caja también incluye paneles de acceso al silenciador y al radiador, que se utilizan para limpiar dichos componentes. Dichos paneles deben permanecer cerrados el resto del tiempo. Que la unidad esté en funcionamiento para asegurar el enfriamiento adecuado del equipo, disminuir el ruido y aumentar la seguridad.

Cada generador se suministra con un juego de llaves idénticas. Que accionan los cerrojos de las puertas de acceso.

### Para abrir una puerta de acceso:

1. Inserte la llave en la cerradura de la puerta de acceso que desee abrir y gire la llave un cuarto de vuelta hacia la izquierda.

2. Agarre el picaporte de la puerta y gire un cuarto de vuelta hacia la izquierda para abrir. Retire la llave.
3. El cerrojo de la puerta de llenado de refrigerante se abre del mismo modo. Se puede usar para añadir refrigerante o aceite.

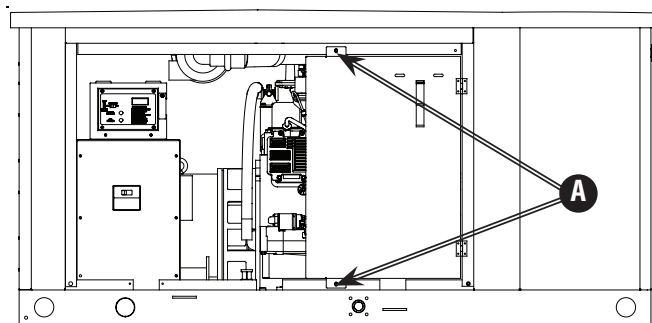
### Para cerrar una puerta de acceso:

1. Cierre la puerta y gire su picaporte un cuarto de vuelta hacia la derecha.
2. Inserte la llave en la cerradura de la puerta de acceso y gire la llave un cuarto de vuelta hacia la derecha. Retire la llave.

### Protección de pantalla

Para tener acceso al motor y a los componentes del sistema de refrigeración:

1. Quite los dos tornillos **A** y las arandelas en la parte superior e inferior de la protección de pantalla.
2. La protección de pantalla se abrirá para permitir el acceso al motor y a los componentes del sistema de refrigeración.



Español

es

# Utilización

## Consideraciones importantes para el propietario

### Aceite de motor

**AVISO** Si intenta arrancar el motor antes de llenarlo con el refrigerante y aceite recomendados, provocará un fallo del equipo.

- Consulte la sección Mantenimiento para obtener información sobre el llenado de refrigerante y aceite.
- El daño a la generador, resultado de la desatención a esta precaución, no será cubierto por la garantía.

Este motor se pone en funcionamiento y se llena con aceite no sintético (API SL 10W-30) en la fábrica. Esta medida facilita hacer funcionar el sistema en una amplia gama de condiciones de temperatura y climáticas. Antes de arrancar el motor, compruebe el nivel de aceite y asegúrese de que se hayan realizado las actividades de mantenimiento o reparación necesarias, como se describe en el Manual del operario del motor.

### Sistema refrigerante

Este motor se llena en la fábrica con una mezcla de anticongelante de automoción (ethylene glycol) y agua, en una proporción de 50-50. Esta medida proporcionará protección óptima anual contra congelamiento, ebullición y corrosión. El sistema refrigerante incorpora un opcional calentador de agua que funciona cuando la temperatura ambiente es menor a 26,6 °C (80 °F) Y el conector recibe alimentación de la red pública. Antes de arrancar el motor, compruebe el nivel de aceite y asegúrese de que se hayan realizado las actividades de mantenimiento o reparación necesarias, como se describe en la sección Mantenimiento.

### Batería

El instalador debe suministrar una batería de arranque de 12 V. Consulte *Batería* el *Consideraciones finales para la instalación* en el manual de instalación.

**▲ ADVERTENCIA** Las patillas de las baterías, los terminales y los accesorios relacionados contienen plomo y compuestos de plomo - sustancias químicas declaradas cancerígenas y causantes de malformaciones congénitas por el Estado de California. Lávese las manos después de manipular estos elementos.

### Fusible de 15 A

El fusible de 15 A del generador se ha retirado en fábrica para evitar el arranque de la unidad durante el transporte. El instalador deberá asegurarse de que el fusible está bien instalado al realizar la instalación.

## Funcionamiento automático

Para seleccionar el funcionamiento automático, haga lo siguiente:

1. Compruebe que el fusible de 15 A esté instalado en el panel de control.
2. Ponga el disyuntor del panel de distribución principal que alimenta tensión de la red al conector en la posición **ON**.
3. Sitúe el interruptor principal del generador en la posición **ON**.
4. Ponga el conmutador del sistema del panel de control en **AUTO**.

**▲ ATENCIÓN** Con el interruptor en la posición **AUTO**, el motor puede comenzar a dar vueltas y arrancar en cualquier momento sin previo aviso.

- Para evitar posibles lesiones que pudieran ser provocadas por dichos arranques repentinos, siempre ponga el conmutador del sistema en **OFF** cuando realice operaciones de mantenimiento en el sistema.
- Retire el fusible de 15 Amperios antes de realizar trabajos en el generador, en el conmutador de transferencia o en lugares cercanos a estos equipos.

## Verificación de la operación automática

Para comprobar que el sistema funcione automáticamente de manera adecuada, proceda de la siguiente manera:

1. Ponga en el disyuntor del panel de distribución principal que suministra alimentación al conector automático en la posición **OFF**. El motor comenzará a dar vueltas y arrancará cuando se pierda la tensión de la red pública y transcurra el tiempo determinado por el sensor. Deje que el sistema realice la secuencia completa de funcionamiento automático.
2. Con la salida del generador alimentando las cargas conectadas, ponga el disyuntor del panel de distribución principal que suministra alimentación de la red pública al conector automático en la posición **ON**.
3. El conector automático transferirá de nuevo las cargas a la red pública después de un tiempo de funcionamiento de cinco minutos como mínimo y cuando la alimentación de la red pública esté disponible.
4. El generador seguirá funcionando durante un minuto más para que se enfríe el motor y luego se parará.

Si la red pública se restablece y el generador no se para después de transcurrir diez minutos, ponga el conmutador del sistema en la posición **OFF** y póngase en contacto con el instalador o con el centro de servicio local.

De esta manera se completan los procedimientos de prueba de la operación automática. El generador arrancará automáticamente cuando se pierda la energía de la compañía proveedora de electricidad y proporcionará energía al conmutador de transferencia.

## Ajuste del temporizador de prueba

Se recomienda someter el generador a un ciclo de prueba una vez cada siete días. Durante este período de prueba, la unidad funciona por aproximadamente 20 minutos y después se apaga.

Consulte la Guía de aplicación del panel de control que se proporcionó con este generador para obtener información más detallada sobre el temporizador de prueba.

O bien, consulte la Guía de la aplicación del conector automático para obtener información más detallada sobre el temporizador de prueba.

## Mantenimiento

### Paro del sistema

**Antes de realizar cualquier tarea de mantenimiento en el generador, siempre realice los siguientes pasos.**

1. Fije el interruptor de potencia principal del generador en la posición **OFF**.
2. Fije el conmutador del sistema en la posición **OFF**.
3. Quite el fusible de 15 A del panel de control.
4. **El panel de control recibe tensión de la red pública.** Desconecte la fuente de alimentación antes de dar mantenimiento al panel de control; retire los dos fusibles del conector.
5. Después de finalizar el mantenimiento, vuelva a colocar los fusibles en el conector, vuelva a colocar el fusible de 15 A en el panel de control, ponga el conmutador del sistema y el disyuntor en la posición **ON** y reinicie el temporizador de ejercicio. Consulte la sección *Configuración del temporizador de práctica* de *Utilización*.

### Sistema de detección de la alarma de apagado

Puede ser necesario que el generador se ponga en funcionamiento por períodos largos sin que un operario esté presente. Por esta razón, el sistema está equipado con sensores que apagan automáticamente el generador en caso de condiciones de riesgo potencial para el equipo, como baja presión de aceite, alta temperatura, exceso de velocidad y otras condiciones.

El tablero de control del generador muestra descripciones de las alarmas de apagado posibles en la pantalla digital.

A continuación se indican las alarmas de apagado posibles:

- Exceso de velocidad.
- Falta de velocidad.
- Baja presión de aceite.
- Temperatura elevada del refrigerante.
- Apagado externo 1.
- Apagado externo 2.
- Apagado externo 3.

- Fallo del disyuntor del generador.
- Sobretensión del generador.
- Baja tensión del generador.
- Sobrefrecuencia del generador.
- Baja frecuencia del generador.
- Rotación del generador hacia la izquierda.
- Fallo durante el arranque.
- Fallo durante el paro.
- Batería sin carga.
- Detección automática de tensión.

### Reinicializar el sistema de detección de la alarma de apagado

El operario debe reinicializar el sistema de detección de la alarma de apagado cada vez que se active.

Consulte la Guía de aplicación del panel de control que se proporcionó con este generador para obtener información más detallada sobre la reinicialización del sistema de detección de la alarma de apagado.

### Exceso de velocidad

Esta alarma de apagado se indica mostrando Overspeed en la pantalla digital. Esta condición ocurre si la velocidad del motor sobrepasa el 115% de las RPM nominales del motor, lo que proviene de la frecuencia del generador.

Para solucionar el problema, póngase en contacto con el instalador o con un distribuidor autorizado.

### Falta de velocidad

Esta alarma de apagado se indica mostrando Underspeed en la pantalla digital. Esta condición ocurre si la velocidad del motor baja de las RPM nominales del motor.

Para solucionar el problema, póngase en contacto con el instalador o con un distribuidor autorizado.

### Baja presión de aceite

Esta alarma de apagado se indica mostrando Low Oil Pressure en la pantalla digital. La unidad está equipada con un interruptor de presión de aceite que utiliza contactos normalmente cerrados y que se mantienen abiertos por la presión del aceite del motor durante el funcionamiento. En caso de que la presión de aceite caiga debajo del rango de 8 psi, los contactos se cerrarán y el motor se parará.

Para solucionar el problema de baja presión de aceite, añada el aceite recomendado hasta que el nivel llegue a la marca FULL (lleno) de la varilla de nivel de aceite o comuníquese con el instalador o con un distribuidor autorizado.

Español

es

### **Temperatura elevada del refrigerante**

Esta alarma de apagado se indica mostrando High Coolant Temperature en la pantalla digital. Esta condición ocurre cuando la temperatura del refrigerante sobrepasa el umbral de apagado.

Para solucionar el problema, póngase en contacto con el instalador o con un distribuidor autorizado.

### **Apagado externo 1, 2 o 3**

Esta alarma de apagado se indica mostrando External Shutdown en la pantalla digital.

Para solucionar el problema, póngase en contacto con el instalador o con un distribuidor autorizado.

### **Fallo del disyuntor del generador (GCB)**

Esta alarma de apagado se indica mostrando GCB Fail en la pantalla digital. Esta condición ocurre cuando el disyuntor del generador se activa o deja de funcionar.

Para solucionar el problema, póngase en contacto con el instalador o con un distribuidor autorizado.

### **Sobretensión del generador**

Esta alarma de apagado se indica mostrando Generator Overvoltage en la pantalla digital. Esta condición ocurre cuando la tensión de salida excede el umbral predeterminado.

Para solucionar el problema, póngase en contacto con el instalador o con un distribuidor autorizado.

### **Baja tensión del generador**

Esta alarma de apagado se indica mostrando Generator Undervoltage en la pantalla digital. Esta condición ocurre cuando la tensión de salida baja del umbral predeterminado.

Para solucionar el problema, póngase en contacto con el instalador o con un distribuidor autorizado.

### **Sobrefrecuencia del generador**

Esta alarma de apagado se indica mostrando Generator Overfrequency en la pantalla digital. Esta condición ocurre cuando la frecuencia del generador se sale de los límites establecidos por los puntos de ajuste.

Para solucionar el problema, póngase en contacto con el instalador o con un distribuidor autorizado.

### **Baja frecuencia del generador**

Esta alarma de apagado se indica mostrando Generator Underfrequency en la pantalla digital. Esta condición ocurre cuando la frecuencia del generador se sale de los límites establecidos por los puntos de ajuste.

Para solucionar el problema, póngase en contacto con el instalador o con un distribuidor autorizado.

### **Rotación del generador hacia la izquierda**

Esta alarma de apagado se indica mostrando Generator CCW en la pantalla digital. Esta condición ocurre cuando la fase del generador pierde la secuencia.

Para solucionar el problema, póngase en contacto con el instalador o con un distribuidor autorizado.

### **Fallo durante el arranque**

Esta alarma de apagado se indica mostrando Start Fail en la pantalla digital. Esta condición ocurre cuando el generador no arranca.

Para solucionar el problema, póngase en contacto con el instalador o con un distribuidor autorizado.

### **Fallo durante el paro**

Esta alarma de apagado se indica mostrando Stop Fail en la pantalla digital. Esta condición ocurre cuando el generador no se para.

Para solucionar el problema, póngase en contacto con el instalador o con un distribuidor autorizado.

## **Mantenimiento del generador**

El mantenimiento del generador consiste en mantener limpia la unidad. Utilice la unidad en un entorno que no esté expuesto a exceso de polvo, suciedad, humedad y vapores corrosivos. Las rejillas del aire de refrigeración en la caja no deben quedar obstruidas por nieve, hojas ni por ningún otro tipo de material extraño. Para evitar que el generador se dañe a causa de sobrecalentamiento, mantenga siempre limpias y despejadas las entradas y salidas de refrigeración de la caja.

Revise con frecuencia la limpieza de la unidad y asíela cuando la superficie exterior/interior tenga polvo, suciedad, aceite, humedad u otro tipo de sustancia extraña. Inspeccione las aberturas de entrada y salida de aire y el exterior de la caja para asegurarse de que el flujo de aire no esté bloqueado.

NO utilice el chorro directo de una manguera de riego para limpiar el generador. Podría entrar agua en el motor y en el generador y provocar problemas.



## Para limpiar el generador

**AVISO** El tratamiento inadecuado del generador puede dañarlo y acortar su vida productiva.

- No exponga al generador a una humedad excesiva, polvo, suciedad o vapores corrosivos.
- NO inserte cualquier objeto a través de las ranuras de enfriamiento.

1. Fije el conmutador del sistema del generador en la posición **OFF**.
2. Quite el fusible de 15 A del panel de control.
3. Limpiar el generador:
  - Utilice un trapo húmedo para limpiar las superficies exteriores.
  - Puede usar un cepillo de cerdas suaves para retirar la suciedad endurecida, aceite, etc.
  - Puede usar una máquina aspiradora para eliminar suciedad y residuos sueltos.
  - Puede usar aire a baja presión (que no exceda los 25 psi) para eliminar la suciedad. Inspeccione las ranuras para aire de enfriamiento y la apertura del generador. Estas aperturas deberán mantenerse limpias y despejadas.
4. Instale el fusible de 15 Amperios en el panel de control.
5. Fije el conmutador del sistema del generador en la posición **AUTO**.
6. Reinicialización del temporizador de prueba. Consulte la sección *Configuración del temporizador de práctica*.

## Mantenimiento del motor

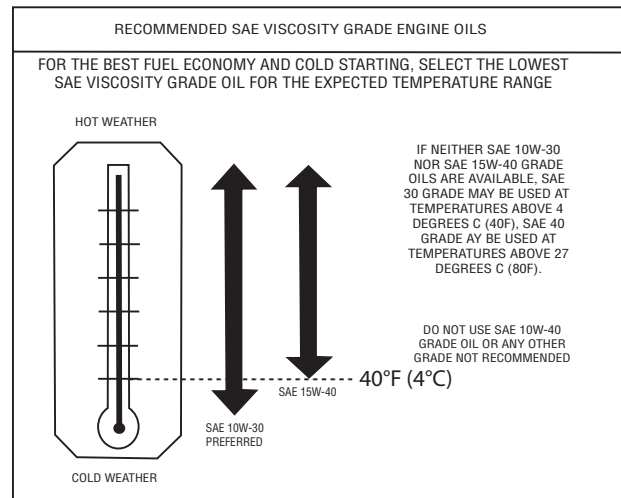
El mantenimiento de un motor y de los componentes relacionados es vital para su rendimiento operativo y vida útil. Los motores industriales funcionan en un entorno que con frecuencia incluye temperaturas calientes y frías, y mucho polvo. En esta sección se describe el programa de mantenimiento recomendado; sin embargo, las condiciones ambientales de funcionamiento y el equipo adicional instalado pueden requerir inspección y mantenimiento con mayor frecuencia. El propietario y/o un técnico de servicio autorizado deberán revisar las condiciones de funcionamiento del equipo para determinar los intervalos de inspección y mantenimiento. Es muy importante enfriar y lubricar el motor correctamente, por lo que debe prestar atención especial a estos aspectos.

## Aceite del motor

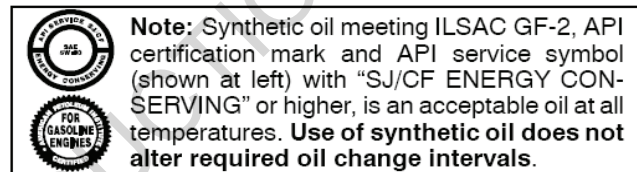
Este motor se pone en funcionamiento y se llena con aceite no sintético (API SL 10W-30) en la fábrica. Esta medida facilita hacer funcionar el sistema en una amplia gama de condiciones de temperatura y climáticas.

## La Recomendación del petróleo

Seleccione la viscosidad de petróleo de motor que emparejará mejor la temperatura diurna predominante.



El aceite debe cumplir con la especificación GM 9986231. Los aceites para motor que cumplen con esta especificación reciben la estrella de certificación del Instituto Americano de Petróleo (American Petroleum Institute, API).



Se tiene en cuenta que los aceites GF-4 también son "compatibles con modelos anteriores" y son equivalentes o mejores que los grados de aceite anteriores en todos los aspectos.

## Aceites sintéticos

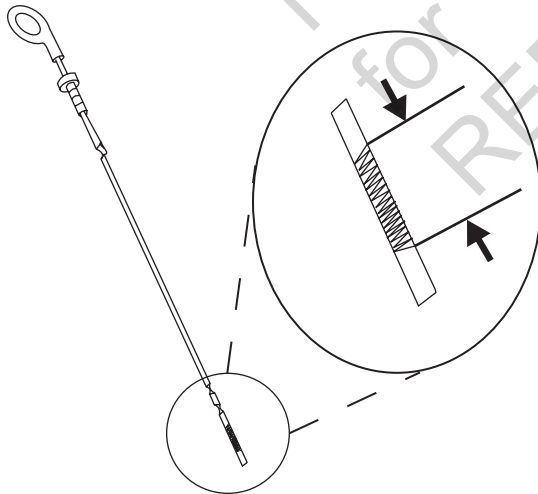
Los aceites sintéticos han estado disponibles para uso en motores industriales durante un periodo relativamente largo y pueden ofrecer ventajas en temperaturas frías y calientes. Sin embargo, se desconoce si los aceites sintéticos ofrecen ventajas operativas o económicas con respecto a los aceites convencionales derivados del petróleo en motores industriales. El uso de aceites sintéticos no permite extender los intervalos de cambio de aceite.



## Comprobación del nivel de aceite del motor

**AVISO** Es importante tener cuidado al comprobar el nivel de aceite del motor. El aceite se debe mantener entre las marcas "ADD" (AÑADIR) y "FULL" (LLENO) de la varilla. Para garantizar que no se obtenga una lectura errónea, asegúrese de realizar los siguientes pasos antes de comprobar el nivel de aceite.

1. Pare el motor.
2. Ponga el conmutador del sistema de la tarjeta de control en la posición de apagado (OFF).
3. Quite el fusible de 15 A del panel de control.
4. Permita que el aceite se vacíe aproximadamente cinco minutos en el recipiente para aceite.
5. Quite la varilla. Límpiela con un trapo limpio o una toalla de papel y vuelva a colocarla. Empuje la varilla hasta el tope del tubo de la varilla.
6. Quite la varilla y observe la cantidad de aceite en la varilla. El nivel de aceite debe estar entre las marcas "ADD" y "FULL".
7. Si el nivel de aceite se encuentra por debajo de la marca "ADD", vuelva a colocar la varilla y continúe con el paso 6.
8. Quite el tapón de llenado de aceite de la tapa de válvulas.
9. Añada la cantidad necesaria de aceite para subir el nivel hasta la marca "FULL" de la varilla, pero no la sobrepase. Vuelva a colocar el tapón de llenado de aceite en la tapa de balancines de válvulas y limpie cualquier exceso de aceite.



## Cambio de aceite del motor



MANTENER FUERA DEL ALCANCE DE LOS NIÑOS.  
NO CONTAMINE. CONSERVE LOS RECURSOS.  
DEPOSITE EL ACEITE USADO EN UN PUNTO  
DE RECOGIDA.

1. Sitúe el conmutador del sistema del generador en la posición **OFF**.
2. Quite el fusible de 15 A del panel de control.
3. Coloque la manguera de vaciado de aceite en un recipiente homologado.
4. Retire el accesorio de latón del extremo de la manguera de vaciado.

Cambie el aceite cuando el motor siga estando caliente después de haber funcionado, como se describe en el Manual del operario del motor.

5. Cuando haya vaciado todo el aceite, vuelva a colocar el accesorio de latón en la manguera.
6. Añada la cantidad necesaria de aceite para subir el nivel hasta la marca "FULL" de la varilla, pero no la sobrepase. Vuelva a colocar el tapón de llenado de aceite en la tapa de balancines de válvulas y limpie cualquier exceso de aceite.

## Correas en V para motor

El motor instalado en este equipo usa correas de transmisión que accionan la bomba de agua y el alternador. Las correas de transmisión forman parte integral del sistema de enfriamiento y carga, y se deben inspeccionar de acuerdo con el programa de mantenimiento. Cuando inspeccione las correas, verifique que no haya:

- Grietas.
- Pedazos de la correa.
- Fisuras.
- Material que cuelgue de la correa.
- Cristalización, endurecimiento.

Si se presenta cualquiera de estas condiciones, la correa se debe cambiar.

## Sistema refrigerante del motor

Es importante darle mantenimiento adecuado al sistema refrigerante del motor para garantizar el rendimiento y la duración apropiados.

**⚠ ADVERTENCIA** El refrigerante presurizado caliente puede provocar lesiones y/o daños materiales de gravedad.

- NO abra la tapa del radiador cuando esté caliente.
- Antes de trabajar en el equipo, permita que el refrigerante se enfríe.

**AVISO** No se recomienda en ningún momento usar anticongelante derivado de alcohol o metanol ni agua simple en el sistema refrigerante.

Se debe dar mantenimiento al sistema refrigerante de acuerdo con el programa de mantenimiento recomendado y la inspección debe incluir:

- Limpiar regularmente el polvo, la suciedad y los residuos del núcleo del radiador y de la cubierta del ventilador.
- Inspeccionar que las mangueras de refrigerante y sus componentes no tengan fugas, en especial en las conexiones de las mangueras del radiador. Apretar las abrazaderas de las mangueras si es necesario.
- Verificar que las mangueras del radiador no estén abombadas, separadas, endurecidas, agrietadas o que no tengan ningún tipo de deterioro.
- Inspeccionar que la tapa del radiador esté bien sellada.

## Sistema refrigerante del motor

Con el motor frío, compruebe el nivel de refrigerante en el botella de recuperación de refrigerante (consulte *Controles*). Las especificaciones del sistema refrigerante se pueden encontrar en la tabla Mantenimiento de este manual. Especificación del refrigerante – Mezcla 50-50 (ethylene glycol) con agua destilada.

## Filtro de aire del motor

Una vez por año, revise el filtro de aire como se indica a continuación. Si se utiliza en un entorno con polvo, revíselo con más frecuencia.

1. Ponga el conmutador del sistema de la tarjeta de control en la posición de apagado (**OFF**).
2. Quite el fusible de 15 A del panel de control.
3. Quite el cartucho del filtro. Quite los tres pasadores de retención para retirar la tapa de servicio. Desprenda la tapa; comience con los dos pasadores inferiores y termine con el pasador superior. Mueva suavemente el extremo del filtro hacia adelante y atrás; enseguida, gírelo mientras lo jala hacia afuera.
4. Limpie el tubo de salida y revise la válvula que atrapa el polvo. Use un paño limpio para limpiar la superficie del sello del filtro y las superficies del tubo de salida. Asegúrese de retirar todos los contaminantes antes de insertar el filtro nuevo. Tenga cuidado de no dañar el sello del tubo.



Revise y apriete la válvula que atrapa el polvo, unida a la tapa de servicio, para asegurarse de que es flexible y que no está invertida, dañada u obstruida.

5. Limpie el filtro. Utilice un cepillo de cerda suave para desprender la suciedad; y una aspiradora para eliminar la suciedad y los residuos. También puede usar aire a baja presión (no superior a 25 psi) para eliminar la suciedad. Vuelva a colocar el cartucho del filtro se descubre algún orificio en el elemento filtrante.
6. Instale correctamente un filtro limpio. Inserte el filtro con cuidado. Coloque el filtro con la mano, asegurándose de que está completamente dentro de la carcasa del filtro de aire antes de fijar la tapa en su lugar. Para sellar adecuadamente, presione con la mano el borde externo del filtro, no el centro flexible. (Evite presionar el centro del tapón del extremo de uretano). No es necesario presionar la tapa para fijar la junta. ¡NUNCA use la tapa de servicio para ejercer presión y colocar el filtro en su lugar! Si usa la tapa para ejercer presión en el filtro, podría dañar la carcasa, la tapa o los elementos de fijación y anular la garantía. Si la tapa de servicio entra en contacto con el filtro antes de quedar correctamente en su lugar, quite la tapa y empuje el filtro (con la mano) hacia el filtro de aire e intente de nuevo. La tapa debe colocarse sin necesidad de usar fuerza adicional.

Español

es

7. Vuelva a colocar la tapa del servicio. Una vez que el filtro esté en su lugar, vuelva a colocar la tapa de servicio; coloque la tapa con la flecha y la palabra TOP (ARRIBA) hacia arriba. Fije primero el sujetador superior y después los dos sujetadores inferiores. Asegúrese de que las cintas de montaje, las abrazaderas, los pernos y las conexiones de todo el sistema del filtro de aire estén apretadas y verifique que no haya orificios en los tubos. De ser necesario, repare.
8. Vuelva a colocar el fusible de 15 A en el panel de control.
9. Ponga el conmutador del sistema de la tarjeta de control en la posición de encendido (**ON**).

## **Mantenimiento del sistema eléctrico del generador**

El sistema eléctrico del generador incorpora ordenadores para controlar diversos componentes relacionados. Las conexiones del sistema eléctrico y los circuitos de conexión a tierra requieren buenas conexiones. Siga el programa de mantenimiento recomendado que se encuentra en la sección Mantenimiento de este manual.

Cuando inspeccione el sistema eléctrico, verifique lo siguiente:

- Compruebe que los cables positivo (+) y negativo (-) de la batería no presenten corrosión, fricción, desgaste ni quemaduras, y apriete las conexiones en ambos extremos.
- Revise que la batería no tenga grietas o daños en la caja. Cámbiela según sea necesario.
- Inspeccione que el haz de cables del motor no presente fricción, desgaste, pinchazos, quemaduras ni grietas o roturas en el cableado.
- Verifique que los conectores del haz del motor estén bien asegurados.
- Inspeccione que las cubiertas del cable de la bobina de encendido no presenten endurecimiento, grietas, desgaste, quemaduras, separaciones ni fisuras.
- Inspeccione que las cubiertas de los cables de las bujías no presenten endurecimiento, grietas, desgaste, quemaduras, separaciones ni fisuras.
- Cambie las bujías en los intervalos necesarios según el programa de mantenimiento recomendado.
- Verifique que todos los componentes eléctricos estén colocados de manera segura en el motor o en el chasis.
- Verifique que cualquier servicio eléctrico adicional instalado por el propietario esté instalado correctamente en el sistema.

## Batería

Atender a de baterías es de ser realizado o para ser supervisado por el personal informado de baterías y las precauciones necesarias. Mantenga el personal no autorizado lejos de baterías.

**▲ ADVERTENCIA** Las patillas de las baterías, los terminales y los accesorios relacionados contienen plomo y compuestos de plomo - sustancias químicas declaradas cancerígenas y causantes de malformaciones congénitas por el Estado de California. Lávese las manos después de manipular estos elementos.

### Servicio la batería

Si es necesario realizar el servicio de la batería, proceda de la manera siguiente:

1. Fije el conmutador del sistema del generador en la posición **OFF**.
2. Quite el fusible de 15 A del panel de control.
3. Dé mantenimiento o cambie la batería si es necesario. Consulte *Batería* en la sección *Consideraciones finales para la instalación* en el manual de instalación para obtener información sobre la batería específica necesaria.
4. Conectar el conductor rojo de la batería al terminal positivo de la misma (marcado como **POSITIVE, POS** ó (+)).
5. Conectar el conductor negro de la batería al terminal negativo (marcado como **NEGATIVE, NEG** ó (-)).
6. Compruebe que los elementos de fijación en los terminales negativo y positivo de la batería están perfectamente apretados.
7. Instale el fusible de 15 Amperios en el panel de control.
8. Fije el conmutador del sistema del generador en la posición **AUTO**.
9. Reinicialización del temporizador de prueba. Consulte la sección *Configuración del temporizador de práctica*.



NO CONTAMINE. CUIDE LOS RECURSOS, LLEVE LA BATERÍA USADA A UN CENTRO DE RECOLECCIÓN PARA RECICLAJE.

### Cargar la batería

Si es necesario realizar el cargar de la batería, proceda de la manera siguiente:

1. Fije el conmutador del sistema del generador en la posición **OFF**.
2. Quite el fusible de 15 A del panel de control.

3. Desconecte el cable negativo de la batería al terminal negativo (marcado como **NEGATIVE, NEG** ó (-)).

**AVISO** Si no se desconecta el cable negativo de la batería, se provocará una avería.

- NO intente arrancar en puente la generador.
  - El daño a la generador, resultado de la desatención a esta precaución, no será cubierto por la garantía.
4. Cargue la batería con un cargador a 2 A hasta alcanzar una carga de 12 V. NO supere 13,7 V de tensión cuando cargue la batería.

**▲ ADVERTENCIA** Las baterías almacenadas producen hidrógeno explosivo mientras estén siendo recargadas. Una pequeña chispa puede encender el hidrógeno y causar una explosión.



El fluido de electrolito de la batería contiene ácido y es extremadamente cáustico.

El contacto con el fluido de la batería puede causar quemaduras químicas severas.

Las baterías presentan un riesgo de descarga eléctrica y de elevada corriente de cortocircuito.

- NO deseche la batería tirándola al fuego. Recicle la batería.
- No permita ninguna llama abierta, chispa, calor, o encienda un cigarrillo durante y por varios minutos después de haber recargado la batería.
- NO abra ni manipule la batería.
- Utilice gafas de protección, y delantal, botas y guantes de goma.
- No lleve relojes, anillos ni otros objetos metálicos.
- Utilice herramientas con mangos aislados.

5. Conecte el cable negativo de la batería al terminal negativo (marcado como **NEGATIVE, NEG** ó (-)).
6. Compruebe que los elementos de fijación en los terminales negativo y positivo de la batería están perfectamente apretados.
7. Instale el fusible de 15 Amperios en el panel de control.

**▲ ATENCIÓN** Con el interruptor en la posición **AUTO**, el motor puede comenzar a dar vueltas y arrancar en cualquier momento sin previo aviso.



- Para evitar posibles lesiones que pudieran ser provocadas por dichos arranques repentinos, siempre ponga el conmutador del sistema en **OFF** cuando realice operaciones de mantenimiento en el sistema.
- Retire el fusible de 15 Amperios antes de realizar trabajos en el generador, en el conmutador de transferencia o en lugares cercanos a estos equipos.

8. Fije el conmutador del sistema del generador en la posición **AUTO**.
9. Reinicialización del temporizador de prueba. Consulte la sección *Configuración del temporizador de práctica*.

## Mantenimiento e inspección del circuito de combustible

### Circuito de combustible de gas natural/propano

El circuito de combustible instalado en este motor industrial fue diseñado según diversos estándares para asegurar el rendimiento y la fiabilidad. A fin de garantizar que se cumplan dichos estándares, siga el programa de mantenimiento recomendado que aparece en esta sección.

### Mantenimiento e inspección del regulador de presión

**AVISO** Los componentes del regulador de presión han sido diseñados y calibrados específicamente para cumplir con los requisitos del circuito de combustible del motor.

Si el regulador no llega a funcionar o desarrolla una fuga, se deberá reparar o sustituir con repuestos recomendados por el fabricante del equipo original. Cuando inspeccione el regulador, verifique los siguientes elementos:

- Compruebe que no haya ninguna fuga de combustible en los acoplamientos de entrada y salida.
- Revise que no haya ninguna fuga de combustible en el cuerpo del regulador.
- Verifique y asegúrese de que el regulador esté colocado de manera segura y de que los pernos de montaje estén apretados.
- Compruebe que el regulador no presente daño externo.

### Mantenimiento e inspección del dispositivo de control del inyector tipo Venturi/acelerador

**AVISO** Los componentes del cuerpo del inyector tipo Venturi y del acelerador han sido diseñados y calibrados específicamente para cumplir con los requisitos del circuito de combustible del motor.

### Cuando inspeccione el cuerpo del inyector tipo Venturi y del acelerador, verifique los siguientes elementos:

**AVISO** Un filtro de aire sucio puede alterar de manera significativa el rendimiento del inyector tipo Venturi.

- Que no haya fugas en los acoplamientos.
- Asegúrese de que el cuerpo del inyector tipo Venturi y del acelerador estén colocados de manera segura.
- Inspeccione el elemento del filtro de aire de acuerdo con el programa de mantenimiento recomendado que aparece en esta sección.
- Inspeccione la conexión y la abrazadera de la manguera de entrada de aire. Revise que la manguera no tenga grietas, fisuras ni desgaste. Cámbiela si se presenta cualquiera de estas condiciones.
- Compruebe que las líneas de combustible no tengan grietas, fisuras ni desgaste. Cámbielas si se presenta cualquiera de estas condiciones.
- Compruebe que el cuerpo del acelerador y el colector de admisión no tengan fugas

## Mantenimiento e inspección del sistema de escape

Cuando inspeccione el sistema de escape, verifique lo siguiente:

- Inspeccione que no haya fugas en el colector del escape en la cabeza del cilindro y que todos los pernos de fijación y las protecciones (si se usan) estén en su lugar.
- Revise los elementos de fijación del conector al tubo de escape para asegurarse de que estén apretados y de que no haya fugas en el escape. Repare según sea necesario.
- Verifique que la conexión del tubo de escape no tenga fugas. Repare si es necesario.

### Parte exterior del motor

Inspeccione periódicamente que la parte exterior del motor no tenga contaminación y posible daño por suciedad, hojas, roedores, telarañas, insectos, etc.; limpie si es necesario.

Consulte esta información que se encuentra en el manual de instalación.

### Si llama a la fábrica

En caso de que sea necesario consultar al servicio técnico respecto a servicios o reparaciones de esta unidad, usted debe tener disponible la siguiente información:

1. Obtenga el número de modelo y número de serie de la unidad de la etiqueta de datos. Consulte *Controles* para localizar la etiqueta o consulte la información registrada en la portada del manual de instalación.
2. Obtenga los números de identificación del motor de la etiqueta del motor.

### Almacenamiento

El generador está diseñado para una operación de respaldo continuo. No es necesario tomar ninguna precaución de almacenamiento. Sin embargo, si fuera necesario mantener el sistema fuera de servicio durante un tiempo prolongado, llame al servicio técnico al **800 743-4115**, entre las 8:00 AM y las 5:00 PM hora del centro, para obtener recomendaciones específicas.

## Cuadro de mantenimiento

Este programa de mantenimiento representa los intervalos de mantenimiento recomendados por el fabricante para mantener el funcionamiento adecuado del motor/equipo. Las normativas federales, estatales o locales pueden exigir intervalos de inspección o mantenimiento adicionales o más frecuentes de los que se especifican anteriormente. Para obtener más detalles, consulte a la autoridad competente.

**Realice el siguiente mantenimiento del motor en las horas indicadas y posteriormente, en los intervalos equivalentes de horas.**

Mantenimiento	Horas del intervalo									
	Antes de cada uso	1000	1500	2000	2500	3000	3500	4000	4500	5000
<b>Sección de mantenimiento general</b>										
Comprobación visual de fugas de líquido	X									
Comprobación del nivel de aceite del motor	X									
Comprobación del nivel de refrigerante	X									
Cambio de aceite y filtro de aceite del motor	Cada 100 horas o una vez al año									
Comprobación de fugas en el circuito de combustible	Antes y después de cualquier actividad de servicio o mantenimiento									
Inspección de las correas de transmisión auxiliares		X		X		X		X		X
Inspección del cableado del sistema eléctrico				X				X		
Inspección de todas las líneas y los acoplamientos de válvulas				X				X		
<b>Sección de refrigerante del motor</b>										
Limpieza de los residuos en el núcleo del radiador	Cada 100 horas o 60 días de funcionamiento									
Cambio del refrigerante – Mezcla 50-50 ethylene glycol con agua destilada		X		X		X		X		X
Inspección de las mangueras de refrigerante		X				X				X
Reemplazo de las mangueras de refrigerante y de la correa de transmisión auxiliar	Cada 2.000 horas o dos años, lo que suceda primero									
<b>Sistema de encendido del motor</b>										
Inspección de fugas/daño en la caja de la batería		X		X		X		X		X
Inspección de los cables de la batería		X		X		X		X		X
Inspección de todos los seguros del fijador del conector eléctrico		X		X		X		X		X
Cambio de bujías			X			X			X	
Inspección de la rueda de distribución del sensor del cigüeñal	Cada 100 horas o una vez al año									
Cambio del tapón y rotor del distribuidor				X				X		
Limpieza de la torre secundaria de la bobina de encendido		X		X		X		X		X
Revisión de los cables de las bujías				X						
Cambio de los cables de las bujías								X		
<b>Mantenimiento del circuito de combustible</b>										
Inspección del filtro de aire	Cada 200 horas (o cada 100 horas en entornos extremos) y una vez al año									
Revisión del funcionamiento de la válvula de paso de combustible				X				X		
Cambio del filtro de LPG en línea		X		X		X		X		X
Revisión del funcionamiento de la válvula de solenoide de paso de LPG				X				X		
Revisión del sistema de inducción de aire				X				X		
Revisión del colector de admisión					X					X
<b>Sistema de escape del motor</b>										
Inspección del colector y tubos de escape				X				X		

Español

es



## Resolución de problemas

Problemas	Causa	Corrección
<b>El motor está funcionando pero no hay salida de c.a. disponible.</b>	<ol style="list-style-type: none"> <li>1. El interruptor automático está abierto o defectuoso.</li> <li>2. Fallo en el panel de control del generador.</li> <li>3. Las conexiones de cableado son inadecuadas o el conmutador de transferencia está defectuoso.</li> </ol>	<ol style="list-style-type: none"> <li>1. Restablezca el interruptor automático o reemplácelo.</li> <li>2. Consulte al servicio distribuidor autorizado.</li> <li>3. Verifíquelo y repárelo.</li> </ol>
<b>El motor funciona cuando no tiene carga pero “se atasca” cuando se conectan las cargas.</b>	<ol style="list-style-type: none"> <li>1. Hay un cortocircuito en una de las cargas conectadas.</li> <li>2. El generador está sobrecargado.</li> <li>3. Hay un circuito del generador en cortocircuito.</li> <li>4. La presión o mezcla de combustible es incorrecta.</li> <li>5. La línea de combustible está retorcida.</li> </ol>	<ol style="list-style-type: none"> <li>1. Desconecte la carga que está en cortocircuito.</li> <li>2. Desconecte la carga.</li> <li>3. Consulte al servicio distribuidor autorizado.</li> <li>4. Consulte la sección <i>El sistema de combustible gaseoso</i> del Manual de instalación.</li> <li>5. Consulte la sección <i>El sistema de combustible gaseoso</i> del Manual de instalación.</li> </ol>
<b>El motor no arranca o arranca pero funciona con dificultad.</b>	<ol style="list-style-type: none"> <li>1. Falta un fusible de 15 Amperios o está fundido.</li> <li>2. No hay combustible.</li> <li>3. La batería presenta una falla.</li> <li>4. La presión del combustible es incorrecta..</li> </ol>	<ol style="list-style-type: none"> <li>1. Instale un fusible de 15 A (nuevo).</li> <li>2. Abra la o las válvulas de combustible; verifique el tanque de propano.</li> <li>3. Reemplace la batería.</li> <li>4. Consulte la sección <i>El sistema de combustible gaseoso</i> del Manual de instalación.</li> </ol>
<b>El motor se apaga durante la operación.</b>	<ol style="list-style-type: none"> <li>1. No hay combustible.</li> <li>2. El indicador de fallas se enciende en forma intermitente.</li> </ol>	<ol style="list-style-type: none"> <li>1. Verifique las válvulas de combustible, llene el tanque de propano.</li> <li>2. Cunte los parpadeos y consulte la sección <i>Sistema de Detección de Fallas</i>.</li> </ol>
<b>Pérdida de potencia en los circuitos.</b>	<ol style="list-style-type: none"> <li>1. El interruptor automático del generador está abierto.</li> <li>2. Problemas en el interruptor de transferencia.</li> </ol>	<ol style="list-style-type: none"> <li>1. Restablezca el interruptor automático.</li> <li>2. Consulte el manual del interruptor de transferencia.</li> </ol>

### Información general

U.S. EPA y Briggs & Stratton (B&S) le explican a continuación la garantía del sistema de control de emisiones de su motor/equipo modelo 2010 y posteriores. En los Estados Unidos, los motores nuevos de reserva de emergencia superiores a 25 HP deben ser diseñados, construidos y equipados para cumplir con estrictas normas de emisiones. B&S debe garantizar la existencia de un sistema de control de emisiones en el motor/equipo.

Consulte más abajo la Definición del uso adecuado de la reserva de emergencia.

La garantía relacionada con las emisiones cubre todos los componentes que, al fallar, provocan el aumento de las emisiones no evaporativas del motor de cualquier contaminante regulado que se mencione abajo.

### Cobertura de la garantía del fabricante:

Briggs & Stratton garantiza que el motor no tiene ningún defecto de material ni mano de obra, y que también está diseñado, construido y equipado según las normativas vigentes de la Sección 213 de la Ley del Aire Limpio, desde el momento de la venta del motor hasta el vencimiento del período de esta garantía.

Esta garantía se aplica a todos los componentes del motor asociados con las emisiones que, al fallar, provocan que las emisiones del escape del motor no cumplan con la EPA. Además, esta garantía también se aplica a otros componentes del motor dañados debido al fallo de cualquiera de estos componentes asociados con las emisiones.

Si un componente del motor asociado con las emisiones y cubierto por la garantía está defectuoso, B&S reparará o reemplazará la pieza sin ningún coste para usted, incluidos el diagnóstico, las piezas y la mano de obra.

El período de cobertura de la garantía es de dos años a partir de la fecha de compra original y se ofrece al comprador original y a cada comprador posterior, siempre y cuando se cumplan las responsabilidades de la garantía del propietario.

### Responsabilidades de la garantía del propietario:

- Las reclamaciones de garantía se cumplimentarán con arreglo a las disposiciones de la política de garantía de Briggs & Stratton.
- Un motor puede no ser cubierto por la garantía si se somete a abuso, uso indebido, negligencia, mantenimiento incorrecto, modificaciones no aprobadas, accidentes no provocados por motores o equipo Briggs & Stratton o por hechos fortuitos.
- Sólo son cubiertos por la garantía los motores usados como motores estacionarios para emergencia, según se define abajo.
- Usted es responsable de presentar su motor/equipo a un centro de distribución de B&S, distribuidor autorizado de servicio u otra entidad equivalente, según corresponda, en el momento en que surja un problema. Las reparaciones cubiertas por la garantía se llevarán a cabo en un plazo razonable, no superior a 30 días en ningún caso. En caso de tener preguntas sobre los derechos y responsabilidades relativos a la garantía, póngase en contacto con B&S llamando al 1-800-233-3723 o en BRIGGSandSTRATTON.COM.
- Si se repara o reemplaza algún componente no programado para mantenimiento mediante esta garantía, la nueva pieza tendrá garantía sólo durante el período de garantía restante.
- Si un componente cubierto por la garantía programado para mantenimiento falla antes de que se realice el primer reemplazo programado, B&S reparará o reemplazará la pieza sin ningún coste para el propietario. Cualquier componente de ese tipo está cubierto por la garantía sólo hasta que haya vencido el período de mantenimiento programado originalmente.
- No se podrán utilizar piezas complementarias o modificadas no exentadas por la EPA. Si el propietario usa piezas complementarias o modificadas no exentas dará lugar a la anulación de la reclamación de garantía. El fabricante no será responsable de los fallos o piezas cubiertas por la garantía que se deban al uso de una pieza complementaria o modificada no exenta.

### La emergencia Definición Inmóvil de Motor

Una Emergencia Motor que Inmóvil es definido como motor inmóvil de combustión interna cuya operación es limitada a situaciones de emergencia y probar y al mantenimiento necesario. Ejemplos incluyen motores inmóviles que es utilizado para producir el poder para redes o equipo críticos (inclusive el poder suministrado a porciones de una facilidad) cuando energía eléctrica de la utilidad local (o la fuente de alimentación normal, si la facilidad corre por sí mismo producción de poder) es interrumpido, o motores inmóviles que es utilizado para bombear agua en el caso del fuego o la inundación, etc. Los motores inmóviles utilizados para pico que afeitado no es considerado emergencia motores inmóviles. Los motores inmóviles que es utilizado para suministrar el poder a una cuadrícula eléctrica o ese poder del suministro como parte de un arreglo financiero con otra entidad no es considerada para ser motores de emergencia. La emergencia ICE que inmóvil puede ser operado para el propósito de talones de mantenimiento y prontitud que prueban, con tal de que las pruebas sean recomendadas por Federal, el Estado o la administración municipal, el fabricante, el vendedor, o la compañía de seguros se asociaron con el motor. El mantenimiento verifica y la prontitud que prueba de tales unidades es limitada a 100 horas por año. No hay plazo en el uso de emergencia motores inmóviles en situaciones de emergencia. El propietario o el operario pueden peticionar al Administrador para la aprobación de horas adicionales ser utilizado para talones de mantenimiento y prontitud que prueban, pero una petición no es requerida si el propietario o el operario mantienen registros que indican que Federal, el Estado, o estándares locales requieren mantenimiento y probando de ICE de emergencia más allá de 100 horas por año. La emergencia ICE que inmóvil puede operar hasta 50 horas por año en situaciones de no-emergencia, pero esas 50 horas son contadas hacia las 100 horas por año previo mantenimiento y probar. Las 50 horas por año para situaciones de no-emergencia no pueden ser utilizadas para afeitarse de pico ni para engendrar los ingresos para una facilidad para suministrar el poder a una cuadrícula eléctrica ni de otro modo poder de suministro como parte de un arreglo financiero con otra entidad. Para propietarios y operarios de motores de emergencia, de cualquier operación de otra manera que operación de urgencia, del mantenimiento y probar, y de la operación en situaciones de no-emergencia durante 50 horas por año, como permitido encima de es prohibido.

## POLÍTICA DE GARANTÍA PARA EL PROPIETARIO DE GENERADORES DE RESERVA BRIGGS & STRATTON POWER PRODUCTS GROUP, LLC

Fecha de entrada en vigor: 1 de septiembre de 2010. Sustituye a todas las garantías sin fecha y a las de fecha anterior a septiembre de 2010.

### GARANTÍA LIMITADA

Briggs & Stratton Power Products Group, LLC reparará o sustituirá sin cargo alguno cualquier componente del equipo que presente defectos de materiales y/o mano de obra. Los gastos de viaje se reembolsan según se especifica en el documento Pautas de la garantía de Briggs & Stratton, a los distribuidores de Briggs & Stratton autorizados para realizar las reparaciones cubiertas por la garantía correspondiente. El período de vigencia y las condiciones de esta garantía son los que se estipulan a continuación. Para obtener servicio en garantía, localice el distribuidor de servicio autorizado más próximo en nuestro mapa de distribuidores, en BRIGGSandSTRATTON.COM.

NO EXISTE NINGUNA OTRA GARANTÍA EXPLÍCITA. LAS GARANTÍAS IMPLÍCITAS, INCLUIDAS LAS DE COMERCIABILIDAD O IDONEIDAD PARA UN FIN CONCRETO, SE LIMITAN A UN AÑO A PARTIR DE LA FECHA DE COMPRA O AL LÍMITE DE TIEMPO PERMITIDO POR LA LEY. QUEDAN EXCLUIDAS TODAS LAS GARANTÍAS IMPLÍCITAS. QUEDA EXCLUIDA LA RESPONSABILIDAD POR DAÑOS SECUNDARIOS Y DERIVADOS HASTA EL LÍMITE PERMITIDO POR LA LEY. Algunos países o estados no permiten limitar la duración de una garantía implícita ni excluir o limitar los daños secundarios y derivados. Por tanto, es posible que las limitaciones y exclusiones mencionadas no sean aplicables en su caso. Esta garantía le otorga determinados derechos legales y es posible que tenga otros derechos que pueden variar de un país o estado a otro.

### WARRANTY PERIOD

<b>Generator</b>	<b>4 años</b>
<b>Motor</b>	<b>2 años</b>

El período de garantía comienza en la fecha de compra del primer consumidor o usuario comercial final y se prolonga durante el tiempo especificado anteriormente.

NO ES NECESARIO REGISTRAR LA GARANTÍA PARA OBTENER SERVICIO DE BRIGGS & STRATTON PRODUCTS. GUARDE SU RECIBO DE COMPRA. SI NO APORTA LA PRUEBA DE LA FECHA DE COMPRA INICIAL EN EL MOMENTO DE SOLICITAR EL SERVICIO EN GARANTÍA, SE UTILIZARÁ LA FECHA DE FABRICACIÓN DEL PRODUCTO PARA DETERMINAR EL PERÍODO DE GARANTÍA.

Si tiene cualquier pregunta con respecto a sus derechos de garantía y responsabilidades, debe contactar B&S en 1-800-233-3723 o BRIGGSandSTRATTON.COM.

### FABRICANTE REGISTRADO

IMPSCO es el fabricante registrado para todos los asuntos relacionados con el cumplimiento de la Agencia de Protección Ambiental (Environmental Protection Agency, EPA) que tienen que ver con el uso y rendimiento del motor. Consulte la garantía de emisiones (n.º de pieza 313540) para obtener más información.

### ACERCA DE LA GARANTÍA

Esperamos que disfrute de nuestra garantía y le pedimos disculpas por las molestias causadas. Cualquier distribuidor de servicio autorizado puede llevar a cabo reparaciones en garantía. La mayoría de las reparaciones en garantía se gestionan normalmente, pero algunas veces la solicitud de servicio en garantía puede no ser procedente. Por ejemplo, la garantía no será válida si el equipo presenta daños debidos al mal uso, la falta de mantenimiento de rutina, el transporte, la manipulación, el almacenamiento o la instalación inadecuados. De manera similar, la garantía quedará anulada si se ha borrado la fecha de fabricación o los números de serie del equipo, o si el equipo ha sido alterado o modificado. Durante el período de garantía, el distribuidor de servicio autorizado podrá reparar o sustituir, a su libre elección, cualquier pieza que, previa inspección, sea defectuosa en condiciones normales de uso y servicio. Esta garantía no cubre las reparaciones y los equipos que se detallan a continuación:

- **Desgaste normal:** Al igual que todos los dispositivos mecánicos, los equipos de uso en exteriores y motores necesitan componentes y mantenimiento periódico para funcionar correctamente. Esta garantía no cubre las reparaciones cuando el uso normal haya agotado la vida útil de una pieza concreta del equipo.
- **Instalación y mantenimiento:** Esta garantía no cubre los equipos ni las piezas cuya instalación sea incorrecta o no haya sido autorizada, ni aquéllos que hayan sido objeto de cualquier tipo de alteración, mal uso, negligencia, accidente, sobrecarga, exceso de velocidad o mantenimiento, reparación o almacenamiento inadecuados que, a nuestro juicio, haya afectado negativamente a su funcionamiento y su fiabilidad.

Los términos de la garantía continúan en la página siguiente.

Otras exclusiones:

1. Desgaste de elementos tales como aceite del motor, medidores de aceite, juntas tóricas, filtros, fusibles, bujías, anticongelante o baterías de arranque, etc. así como los daños derivados de accidentes, congelación, uso indebido, modificaciones, alteraciones, servicio inadecuado o deterioro químico.
2. Todos los costos por ajustes, abrazaderas o conexiones sueltas o que presenten fugas, operaciones de instalación o arranque, limpieza y obstrucción del sistema de combustible (debido a materias químicas, suciedad, carbón, cal, etc.) y cualquier fallo provocado por combustible, anticongelante o aceite contaminado.
3. Unidades vendidas como fuentes principales de energía, según lo definido en los códigos nacionales de electricidad de Estados Unidos y Canadá, independientemente de que, en condiciones normales, exista o no una red pública.

\*Para propósitos de esta garantía, el Poder Principal es definido donde el generador es una fuente del poder donde no poder eléctrico está disponible de la CUADRICULA VERSATIL del PODER. Si ningún poder VERSATIL está disponible, el generador es considerado la fuente de alimentación principal.

4. Equipo usado, reacondicionado y de demostración, los equipos utilizados en usos móviles o de alquiler, así como cualquier equipo sanitario destinado al mantenimiento de las constantes vitales.

“Uso para alquiler” significa cualquier uso que se le dé a este producto para alquiler temporal o semipermanente. Una vez que el equipo se haya usado con para alquiler, se considerará como equipo de uso para alquiler a efectos de esta garantía.

5. Lesiones corporales, incluida la muerte, que resulten del fallo del producto.
6. La caja tiene garantía contra óxido y corrosión de la superficie durante el primer año del período de garantía.  
Óxido y corrosión de la superficie se definen como cualquier óxido o corrosión que haya penetrado en la pintura pero que no haya penetrado a través de la subestructura metálica.

La caja tiene garantía contra corrosión integral durante los primeros dos años del período de garantía.

Corrosión integral se define como óxido o corrosión que haya penetrado completamente a través de la pintura y de la subestructura metálica.

La caja no tiene garantía contra óxido o corrosión de la superficie o contra corrosión integral que pueda ser consecuencia de una instalación inadecuada, del daño a las superficies pintadas que afecte las propiedades de prevención contra corrosión de la pintura, o si la unidad es instalada en entornos que expongan al generador a altos niveles de agentes corrosivos.

7. Accesorios.
8. Cualquier pérdida de ingresos que sea resultado directo o indirecto del fallo de esta unidad.
9. Fallos debidos a acontecimientos de fuerza mayor o fuerzas externas que escapen al control del fabricante o a hechos fortuitos, tales como heladas, robos, incendios, colisiones, guerras o disturbios, vandalismo, rayos, terremotos, tormentas de viento, granizo, erupciones volcánicas, inundaciones, tornados, huracanes, actos terroristas u holocausto nuclear.
10. Daños secundarios, derivados o indirectos causados por defectos en los materiales o en la mano de obra o por cualquier retraso en la reparación o la sustitución de los componentes defectuosos.
11. Fallos debidos a la mala aplicación o mala representación.
12. Gastos por uso de teléfono, satélite, fax, teléfono móvil, Internet u otro medio de comunicación.
13. Gastos por trabajo en horas extraordinarias, días festivos o emergencias.
14. Cualquier medio de transporte que, a nuestro juicio, se considere poco común, como aviones, transbordadores, ferrocarril, autobuses, helicópteros, motonieves, tractores para nieve (snow-cats), vehículos de servicio, etc.
15. Todo gasto incurrido en la investigación de quejas de rendimiento, a menos que la presencia de defectos en los materiales Briggs & Stratton y/o la mano de obra haya sido la causa directa del problema.
16. Gastos de transporte urgente de los repuestos.
17. Otro equipo para alquiler utilizado mientras se lleva a cabo la reparación cubierta por la garantía (es decir, generadores, equipo de manejo de material, etc.). 313539S, Rev. -, 09/01/2010.

**BRIGGS & STRATTON POWER PRODUCTS GROUP, LLC  
MILWAUKEE, WI, EE.UU.**

Español

es

# Sistema generador

## 60 kW

**Corriente de carga nominal máxima** a 40°C (104°F), PL

a 240 Voltios 125 Amperios

**Tensión de c.a. nominal** 120/240 Voltios

**Fases** Trifásico

**Frecuencia nominal** 60 Hz

**Rango operativo normal** -28.8°C (-20°F) to 40°C (104°F)

**Nivel de ruido** 65 dB(A) at 7 m (23 pies) con carga completa

**Peso de envío del sistema** 962 kg (2120 lb)

\* Los valores nominales de gas natural dependerán del combustible específico, pero por lo general se encuentran entre el 10 y el 20% por debajo de los valores nominales para PL.

Series 60000*	Voltage	Rated Amps
3 Phase Wye	120/208	215
3 Phase Wye	139/240	186
3 Phase Delta	120/240	186
3 Phase Wye	240/416	108
3 Phase Wye	277/480	93
3 Phase Wye	346/600	73

Este generador está clasificado conforme a la norma UL (Underwriters Laboratories) 2200 (grupos generadores de motor fijo) y a la norma C22.2 No. 100-04 (motores y generadores) de la CSA (Canadian Standards Association [Asociación canadiense de normalización]).

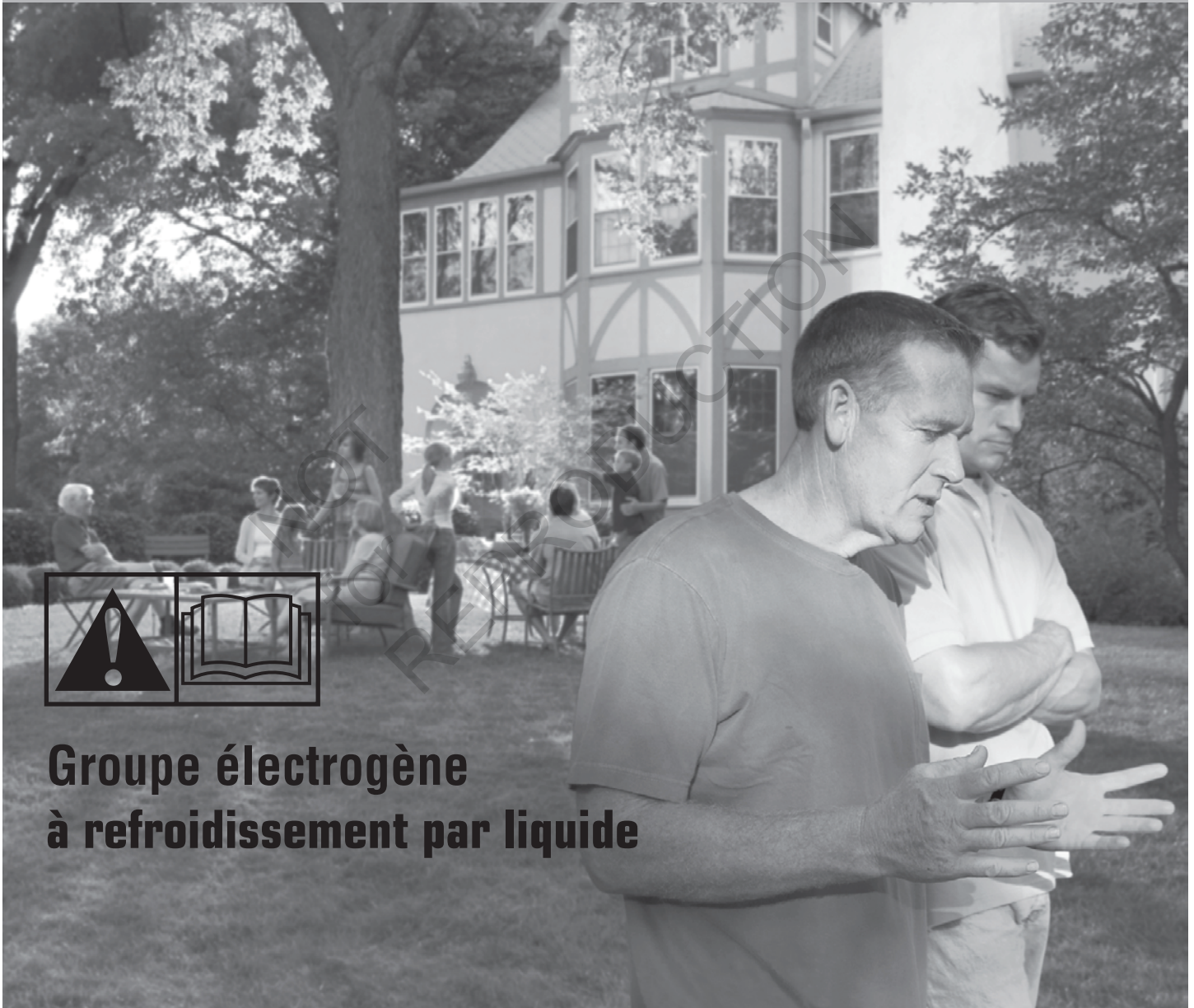
NOT  
for  
REPRODUCTION





**Generator Systems**

## Manuel de l'utilisation



### Groupe électrogène à refroidissement par liquide



Les caractéristiques nominales de cette génératrice sont conformes à la norme 2200 (génératrices à moteur fixe) de UL (Underwriters Laboratories) et à la norme C22.2 No. 100-04 (moteurs et génératrices) de l'ACNOR (Association canadienne de normalisation).

**Nous vous** remercions d'avoir acheté cette génératrice de qualité Briggs & Stratton. Nous sommes heureux que vous fassiez confiance à la marque Briggs & Stratton. Lorsque utilisée et entretenue selon les instructions de ce manuel, votre génératrice vous offrira de nombreuses années de service fiable.

**Ce manuel referme** des directives de sécurité pour vous faire prendre conscience des dangers et des risques associés aux génératrices auxiliaires et de la façon de les éviter. Comme nous n'avons pas nécessairement toutes les applications pour lesquelles cet équipement peut être utilisé, il est important de lire et de bien comprendre ces instructions avant de tenter de démarrer ou d'utiliser cet équipement. Ce produit est conçu pour être utilisé uniquement en tant que génératrice optionnelle fournissant une source d'électricité de rechange et pour desservir des charges comme le chauffage, les systèmes de réfrigération et les systèmes de communication qui, lorsqu'ils sont arrêtés durant une panne d'électricité, peuvent causer de l'inconfort ou d'autres désagréments. **Conservez ces instructions aux fins de consultation ultérieure.**

**Cette génératrice auxiliaire nécessite une installation professionnelle avant l'utilisation.** Consultez le manuel d'installation séparé pour les directives sur les procédures sécuritaires d'installation. Votre installateur devrait suivre les instructions d'installation à la lettre.

## Où nous trouver

Vous n'aurez jamais à chercher bien loin pour trouver un centre de support et de service pour les génératrices auxiliaires. Consultez les Pages Jaunes. Plusieurs distributeurs de services après-vente agréés Briggs & Stratton offrent un service de qualité. Vous pouvez aussi téléphoner au Service à la clientèle de Briggs & Stratton au **800 743-4115** entre 8 h et 17 h HNC ou cliquez sur Trouver un distributeur sur le site BRIGGSandSTRATTON.COM qui présente une liste des distributeurs de service agréés.

**Les numéros de modèle et de série de la génératrice et du moteur doivent être inscrits dans le manuel d'installation.**

Briggs & Stratton Power Products Group, LLC  
P.O. Box 702  
Milwaukee, WI 53201-0702

Copyright © 2013. Tous droits réservés. Aucune partie de ce manuel ne peut être reproduite ou transmise sous n'importe quelle forme sans l'autorisation écrite de Briggs & Stratton Power Products Group, LLC.

# Table des matières

<b>Directives de sécurité importantes</b> . . . . .	<b>4</b>
<b>Installation</b> . . . . .	<b>8</b>
Au propriétaire résidentiel: . . . . .	8
Au détaillant ou à l'entrepreneur procédant à l'installation: . . . . .	8
Conseils au propriétaire . . . . .	8
Facteurs relatifs au combustible . . . . .	9
Emplacement de la génératrice . . . . .	9
<b>Commandes</b> . . . . .	<b>11</b>
Tableau de commande de système . . . . .	13
Portes d'accès . . . . .	14
<b>Fonctionnement</b> . . . . .	<b>15</b>
Fonctionnement automatique. . . . .	15
Réglage de la minuterie du cycle d'exercice . . . . .	16
<b>Entretien</b> . . . . .	<b>16</b>
Système de détection des pannes . . . . .	16
Entretien du générateur . . . . .	18
l'Huile moteur. . . . .	20
Batterie. . . . .	22
Remisage . . . . .	25
<b>Calendrier d'entretien</b> . . . . .	<b>26</b>
<b>Dépannage</b> . . . . .	<b>27</b>
<b>Garantie</b> . . . . .	<b>29</b>
<b>Caractéristiques du produit</b> . . . . .	<b>32</b>

# Veillez conserver ces instructions

## Directives de sécurité importantes

**CONSERVEZ CES DIRECTIVES** – Ce manuel renferme d'importantes directives qu'il faut suivre durant l'installation et l'entretien de la génératrice et des batteries.

### Symboles de sécurité et leur signification



Explosion



Feu



Choc électrique



Emanations toxiques



Parties en mouvement



Surface chaude



Auto démarrage



Pression explosive



Brûlures chimiques



Poulie/courroie rotative



Pale de ventilateur rotative



Risque d'explosion de la batterie



Risque de levage



Lire le manuel

▲ Le symbole d'alerte de sécurité indique un risque potentiel de blessure personnelle. Un mot signal (**DANGER**, **AVERTISSEMENT** ou **ATTENTION**) est utilisé avec un symbole d'alerte pour vous indiquer le degré ou le niveau du risque. Un symbole de sécurité peut être utilisé pour représenter le type de risque. Le mot signal **AVIS** est utilisé pour traiter les pratiques qui ne sont pas reliées aux blessures personnelles.

▲ Le mot signal **DANGER** indique un danger qui, s'il n'est pas évité, *causera* la mort ou des blessures graves.

▲ Le mot signal **AVERTISSEMENT** indique un risque qui, s'il n'est pas évité, *pourrait causer* la mort ou des blessures graves.

▲ Le mot signal **ATTENTION** indique un risque qui, s'il n'est pas évité, *pourrait causer* des blessures mineures ou modérées.

Le mot **AVIS** est utilisé pour les pratiques qui ne sont pas reliées aux blessures personnelles.

Le fabricant ne peut anticiper toutes les circonstances potentielles pouvant comporter un danger. Par conséquent, les avertissements contenus dans le présent manuel, ainsi que les plaques et les décalques apposés sur l'unité n'englobent pas toutes les possibilités. Si vous utilisez une procédure, une méthode de travail ou une technique d'opération non spécifiquement recommandée par le fabricant, vous devez vous assurer qu'elle ne compromet pas votre sécurité ni celle des autres. Vous devez également vous assurer que la procédure, la méthode de travail ou la technique d'opération que vous choisissez ne rende pas la génératrice dangereuse.

▲ **AVERTISSEMENT** Un moteur en marche dégage du monoxyde de carbone, un gaz inodore, incolore et toxique. L'inhalation du monoxyde de carbone peut entraîner la mort, des blessures graves, des maux de tête, de la fatigue, des étourdissements, des vomissements, de la confusion, des crises épileptiques, des nausées et l'évanouissement.

- Faites fonctionner la génératrice **UNIQUEMENT** à l'extérieur, dans un endroit où les gaz d'échappement mortels ne s'accumuleront pas.
- Assurez-vous que les gaz d'échappement sont éloignés des fenêtres, des portes, des prises d'aération, des orifices de ventilation dans l'avant-toit, des vides sanitaires, des portes de garage ouvertes ou de toute autre ouverture par lesquelles les gaz d'échappement pourraient pénétrer à l'intérieur ou être aspirés dans les espaces d'un édifice qui pourraient être occupés.
- Les détecteurs monoxyde de carbone doivent être installés et doivent être maintenus à la maison selon les recommandations des instructions du fabricant. Les détecteurs de fumée ne peuvent pas détecter du gaz monoxyde de carbone.

▲ **AVERTISSEMENT** L'échappement du moteur de ce produit contient des produits chimiques que l'État de Californie considère comme causant le cancer, des déformations à la naissance ou d'autres dangers concernant la reproduction.

▲ **AVERTISSEMENT** Certains composants de ce produit ainsi que les accessoires reliés contiennent des produits chimiques reconnus par l'État de la Californie comme causant des cancers, des malformations congénitales, ou d'autres problèmes de reproduction. Nettoyez-vous les mains après la manipulation.



**⚠ AVERTISSEMENT** Les batteries d'accumulateur produisent du gaz hydrogène explosif lorsqu'elles se rechargent. La plus petite étincelle enflammera l'hydrogène et provoquera



une explosion.

Le liquide d'électrolyte de l'accumulateur contient de l'acide et est extrêmement caustique.

Le contact avec le liquide de l'accumulateur provoquera de graves brûlures chimiques.

Toute batterie présente un risque de choc électrique et de courant de court-circuit élevé.

- NE jetez PAS la batterie dans un feu. Recyclez la batterie.
- Ne laissez aucune flamme, étincelle, source de chaleur ou cigarette allumée pendant ou plusieurs minutes suivant la charge de l'accumulateur.
- N'ouvrez PAS ni N'endommagez la batterie.
- Portez des lunettes de sécurité ainsi qu'un tablier, des bottes et des gants en caoutchouc.
- Enlevez votre montre, vos bagues et tout autre objet de métal.
- Utilisez des outils avec des poignées isolées.

**⚠ AVERTISSEMENT** Le gaz propane et le gaz naturel sont extrêmement inflammables et explosifs.



Le feu ou l'explosion risque de provoquer des blessures graves, pouvant être fatales.

- Installez le système d'alimentation de combustible conformément aux codes applicables aux combustibles et aux gaz.
- Avant de mettre en service le générateur d'état d'attente, il faut purger adéquatement les lignes d'alimentation de combustible et les tester pour les fuites.
- Une fois le système installé, vous devez vérifier le système de combustible sur une base régulière.
- Aucune fuite ne peut être tolérée.
- NE faites PAS fonctionner le moteur si vous sentez une odeur de combustible ou si d'autres conditions d'explosion sont présentes.
- Abstenez-vous de fumer près de la génératrice. Essayez immédiatement tout déversement d'huile. Assurez-vous de ne laisser aucun matériau combustible dans le compartiment de la génératrice. Gardez la zone autour de la génératrice propre et sans débris.

**⚠ AVERTISSEMENT** Le générateur produit une tension élevée.



Ne pas relier le générateur à la terre risque de provoquer des électrocutions.

NE PAS isoler le générateur de l'installation électrique risque de provoquer des blessures ou même d'être fatal pour les ouvriers électriciens et de causer des dommages au générateur dus à un "backfeed" d'énergie électrique

- Lorsque vous utilisez le générateur comme source d'énergie de secours, il est nécessaire d'aviser les services publics d'électricité.
- NE touchez PAS aux fils ou aux prises dénudés.
- N'utilisez PAS le générateur avec des cordons électriques usés, effilochés ou dénudés, ou abîmés de quelque sorte que ce soit.
- NE manipulez PAS le générateur ou les cordons d'alimentation lorsque vous êtes debout dans l'eau, pieds nus ou avec les mains ou les pieds humides.
- Si vous devez travailler aux environs d'une unité alors qu'elle est en marche, placez-vous sur une surface sèche isolée afin de réduire les risques de choc électrique.
- NE laissez PAS des personnes non qualifiées ou des enfants se servir ou réparer le générateur.
- En cas d'accident causé par un choc électrique, procédez immédiatement à la mise hors tension de l'alimentation électrique et contactez des autorités locales. **Évitez tout contact direct avec la victime.**
- En dépit de la conception sécuritaire du groupe électrogène, le fait d'opérer l'équipement de façon imprudente, de ne pas l'entretenir ou d'être négligent peut causer des blessures et la mort.
- Demeurez alerte en tout temps lorsque vous travaillez sur cet équipement. NE travaillez JAMAIS sur l'équipement si vous êtes fatigué physiquement ou mentalement.
- Avant de procéder à tout entretien sur la génératrice, débranchez tout d'abord le câble de batterie identifié par **NEGATIVE, NEG** ou (-). Rebranchez le câble après avoir terminé.
- Une fois votre groupe électrogène installé, la génératrice peut se lancer et démarrer sans avertissement lorsque survient une panne électrique. Pour prévenir des blessures potentielles, AVANT de travailler sur l'équipement, réglez toujours l'interrupteur de système sur **OFF**, ET enlevez le fusible de 15 Ampères.



**⚠ AVERTISSEMENT** Tout contact avec la zone du silencieux peut causer des brûlures graves. La chaleur et les gaz d'échappement peuvent enflammer des matériaux combustibles et les structures ainsi que causer un incendie.



- NE touchez PAS aux pièces chaudes et évitez le contact avec les gaz d'échappement.
- Laissez l'équipement refroidir avant de le toucher.
- NE placez PAS le côté opposé à l'échappement du boîtier étanche à moins de 45,7 cm (18 po) de toute structure.
- Le dégagement entre le côté avec sortie d'air du boîtier et toute structure, tout arbre ou arbuste ou toute végétation doit être d'au moins 1,5 m (5 pi).
- Le boîtier étanche de la génératrice de secours doit être situé à au moins 1,5 m (5 pi) des fenêtres, des portes, des ouvertures, des arbustes ou de la végétation ayant plus de 30 cm (12 po) de hauteur.
- Le dégagement entre le dessus du boîtier étanche de la génératrice de secours et toute structure, tout porte-à-faux ou tout arbre doit être d'au moins 1,2 m (4 pi).
- NE placez PAS le boîtier étanche sous une terrasse ou n'importe quelle autre structure qui pourrait limiter la circulation d'air.
- UTILISEZ SEULEMENT la conduite d'alimentation en carburant en acier flexible fournie. Raccordez la conduite d'alimentation en carburant fournie à la génératrice; N'utilisez AUCUNE autre conduite d'alimentation flexible.
- Les détecteurs de fumée doivent être installés et doivent être maintenus à la maison selon les recommandations des instructions du fabricant. Les alarmes monoxyde de carbone ne peuvent pas détecter de la fumée.
- Laissez au moins les distances minimum indiquées dans les *Mise en place de la génératrice du manuel d'installation* afin de vous assurer d'un refroidissement approprié de la génératrice et des dégagements requis pour l'entretien.
- L'utilisation ou le fonctionnement d'un moteur sur un terrain boisé, couvert de broussailles ou gazonné constitue une violation dans l'État de la Californie, en vertu de la section 4442 du California Public Resources Code, à moins qu'il ne soit doté d'un pare-étincelles tel que défini dans la section 4442 et maintenu en bon état de fonctionnement. Il se peut que d'autres États ou d'autres compétences fédérales aient des lois semblables. Communiquez avec le fabricant, le détaillant ou le concessionnaire original de l'appareil afin d'obtenir un pare-étincelles conçu pour le système d'échappement installé sur ce moteur.
- Les pièces de rechange doivent être identiques aux pièces d'origine et être installées à la même position.

**⚠ AVERTISSEMENT** Tension dangereuse - Tout contact avec les lignes d'électricité peut causer un choc électrique ou des brûlures. Risque de levage/Objet lourd - Peut entraîner un claquage musculaire ou des blessures au dos.



- Si vous utilisez un appareil de levage, prenez garde de NE PAS toucher aux lignes d'électricité.
- NE soulevez ni ne déplacez PAS la génératrice sans aide.
- NE soulevez PAS l'unité par sa partie supérieure car cela endommagera la génératrice.

**⚠ AVERTISSEMENT** Les pièces mobiles peuvent causer un écrasement et des coupures. Démarreur et autre tourneres peut empêtrer mains, cheveux, vêtement, ou accessoires.



- N'utilisez JAMAIS la génératrice sans bâtis, couvercles ou gardes de protection installés.
- NE portez PAS de vêtements lâches, de bijoux ou tout ce qui risquerait d'être pris dans le démarreur ou toute autre pièce rotative.
- Embouteiller des cheveux longs et enlève la bijouterie.
- Avant l'entretien, ôtez le fusible de 15 ampères du tableau de commande et débranchez le câble de batterie **Négatif** (NEG ou -).

**⚠ AVERTISSEMENT** Du liquide de refroidissement sous pression chaud peut entraîner des blessures et des dommages matériels.



- NE PAS ouvrir le bouchon du radiateur lorsque le liquide de refroidissement est chaud.
- Laissez refroidir le liquide de refroidissement avant d'effectuer l'entretien.

**⚠ ATTENTION** L'installation du fusible pourrait causer le démarrage du moteur.



- Prenez note que, avant l'expédition, le fusible de 1 Ampères a été retiré du panneau électrique.
- N'installez PAS ce fusible avant que toute la plomberie et le câblage n'aient été complétés et vérifiés.

**▲ ATTENTION** Les vitesses de fonctionnement excessivement élevées augmentent les risques de blessure ou risquent d'endommager le générateur.

Des vitesses excessivement lentes produisent une charge importante pour la générateur.

- NE trafiquez PAS la vitesse réglée. Le générateur produit une fréquence nominale et une tension correctes lorsqu'il fonctionne à une vitesse réglée.
- NE modifiez PAS le générateur d'aucune façon.

**AVIS** Un traitement inapproprié du générateur risque de l'endommager et de raccourcir sa durée d'utilisation.

- Ne vous servez du générateur que pour les utilisations prévues.
- Si vous avez des questions concernant les utilisations prévues, demandez à votre distributeur ou revendeur autorisé.
- Ne faites fonctionner le générateur que sur des surfaces horizontales.
- Des débits d'air de refroidissement et d'aération adéquats sont nécessaires au bon fonctionnement de la générateur.
- Lorsque l'unité est en marche, il faut que les portes soient installées.
- N'exposez pas le générateur à une humidité excessive, à de la poussière, à de la saleté ou à des vapeurs corrosives.
- Demeurez alerte en tout temps lorsque vous travaillez sur cet équipement. Ne travaillez jamais sur l'équipement si vous êtes fatigué physiquement ou mentalement.
- Ne démarrez jamais le moteur sans son filtre à air ou sans le couvercle du filtre à air.
- N'insérez aucun objet dans les fentes de refroidissement.
- N'utilisez pas la générateur ni aucune partie de celle-ci comme palier. Le fait de marcher sur l'unité peut causer des contraintes et briser des pièces. Cela peut résulter en des conditions de fonctionnement dangereuses à cause d'une fuite de gaz d'échappement, de combustible, d'huile, etc.
- Si les appareils branchés sont en surchauffe, éteignez-les et débranchez-les du générateur.

Arrêtez le générateur si

- la puissance électrique est inexistante;
- l'équipement produit des étincelles, de la fumée ou des flammes;
- l'unité vibre excessivement
- l'unité fait des bruits curieux.

Français

fr

# Installation

Nous sommes vraiment reconnaissants de vous compter parmi nos clients. Pour cette raison, a tout fait pour fournir un produit dont l'installation soit sécuritaire, facile et économique. Comme chaque installation est unique, il est impossible de connaître et de recommander une marche à suivre présentant toutes les méthodes et consignes d'installation possibles. ignore également les dangers et/ou les résultats potentiels de chaque méthode ou procédure.

Ce produit est conçu pour être utilisé uniquement en tant que génératrice optionnelle fournissant une source d'électricité de rechange et pour desservir des charges comme le chauffage, les systèmes de réfrigération et les systèmes de communication qui, lorsqu'ils sont arrêtés durant une panne d'électricité, peuvent causer de l'inconfort ou d'autres désagréments.

**REMARQUE** Ce produit NE se qualifie PAS comme génératrice d'urgence ou génératrice auxiliaire légalement requise tel que défini par la NFPA 70 (NEC).

- Les génératrices d'urgence sont conçues pour alimenter automatiquement l'éclairage, l'alimentation électrique ou les deux à des zones et des équipements désignés dans le cas d'une panne de l'alimentation de service normale. Les génératrices d'urgence peuvent aussi fournir de l'alimentation pour des fonctions telles que la ventilation aux endroits où elle est essentielle pour maintenir la vie, aux endroits où une interruption de l'alimentation normale en courant créerait des risques graves de sécurité ou de santé.
- Les génératrices auxiliaires légalement requises sont conçues pour alimenter automatiquement des charges sélectionnées dans le cas d'une panne de l'alimentation de service normale qui créeraient des risques ou entraveraient des opérations de sauvetage ou de lutte contre l'incendie.

Pour ces raisons, **seuls des professionnels en électricité et en plomberie agréés doivent procéder à l'installation des génératrices s.**

Votre groupe électrogène est livré avec le présent "Manuel d'Utilisation", ainsi qu'un "Guide d'Installation" séparé. Ces deux documents sont importants; après avoir complété l'installation, l'acheteur doit les conserver.

## **Au propriétaire:**

Afin de vous aider à faire des choix avisés et à communiquer efficacement avec l'entrepreneur qui procédera à l'installation, **veuillez lire avec soin la section *Conseils au propriétaire* dans le présent guide avant de contracter un entrepreneur ou de commencer l'installation de votre groupe électrogène.**

Pour assurer une installation adéquate, veuillez contacter le magasin qui vous a vendu votre groupe électrogène, votre détaillant ou votre fournisseur de services d'électricité.

**Si l'installation du groupe électrogène n'est pas effectuée par des professionnels certifiés en électricité et en plomberie, la garantie sera ANNULÉE.**

Tout a été fait pour s'assurer que les renseignements contenus dans le présent guide soient exacts et à jour. Toutefois, le fabricant se réserve le droit de changer, de modifier ou encore d'améliorer le système en tout temps et ce, sans préavis.

Nous garantissons que le dispositif antipollution de cette génératrice répond aux normes établies par le U.S. Environmental Protection Agency et le California Air Resources Board (CARB).

## **Au détaillant ou à l'entrepreneur procédant à l'installation:**

Le guide d'installation renferme tous les renseignements nécessaires à l'installation adéquate ainsi qu'au démarrage du groupe électrogène pour la plupart des usages. Le présent Manuel d'utilisation décrit les procédures de sélection des circuits essentiels, de fonctionnement normal et d'entretien par le propriétaire.

Si vous avez besoin de renseignements supplémentaires, veuillez appeler au **800 743-4115** de 8 h à 17 h HNC.

## **Conseils au propriétaire**

La présente section présente au propriétaire du groupe électrogène les renseignements dont il aura besoin pour que l'installation du groupe électrogène soit la plus satisfaisante et économique possible.

Les illustrations se rapportent à des cas typiques et ont pour but de vous familiariser avec les différentes options d'installation de votre groupe électrogène dont vous disposez. En comprenant pleinement ces options, vous pourrez bien contrôler les coûts liés à votre installation et assurer votre satisfaction finale ainsi que votre sécurité.


Au moment de négocier avec un installateur professionnel, il faudra tenir compte des facteurs suivants : les codes de sécurité locaux, l'apparence, le niveau de bruits, les types de carburant et les distances. Souvenez-vous que plus grandes sont les distances entre le groupe électrogène et le service électrique existant ainsi que l'alimentation en combustible gazeux, la tuyauterie et le câblage doivent être modifiés en conséquence. Ces modifications sont nécessaires pour vous conformer aux codes de sécurité locaux et pour surmonter les chutes de tension et les baisses de pression du combustible gazeux.

## **Les facteurs mentionnés ci-dessus auront une incidence directe sur le prix total de l'installation de votre groupe électrogène.**

Dans certaines régions, vous devrez vous procurer un permis de travail d'électricité pour installer le groupe électrogène, un permis de construction pour l'installation des canalisations de gaz, ainsi qu'un permis relatif au bruit. Votre installateur est tenu de vérifier les codes locaux ET d'obtenir les permis requis avant de procéder à l'installation du système.

## Facteurs relatifs au combustible

Le type de combustible utilisé par votre groupe électrogène aura une incidence importante sur l'ensemble de l'installation. Le système a été testé en usine et réglé avec soit du gaz naturel ou du propane liquide (vapeur de PL). Pour que le moteur fonctionne correctement, les facteurs inhérents à chacun de ces combustibles, votre emplacement et la durée possible des interruptions de courant doivent être pris en compte lorsque vous suivez les lignes directrices suivantes sur le combustible :

 **AVERTISSEMENT** Le gaz propane et le gaz naturel sont extrêmement inflammables et explosifs. Le feu ou l'explosion risque de provoquer des blessures graves, pouvant être fatales.

- Cet équipement est muni d'un robinet de sécurité pour la fermeture automatique des gaz.
- N'opérez pas l'équipement si le robinet de fermeture du combustible est manquant ou ne fonctionne pas.

- Utilisez un combustible propre et sec, libre de toute humidité ou de dépôts. L'utilisation de combustible à l'extérieur des plages de valeurs recommandées pourrait causer des problèmes de performance.
- Pour les moteur réglés sur l'utilisation du gaz de pétrole liquéfié (GPL), le propane commercial de classe HD5, ayant une énergie combustible minimum de 2500 Btu/pi3 à teneur maximum de 5% de propylène et de butane et de 2,5% de gaz plus lourds et une teneur minimum en propane de 90%, convient.

Le débit de gaz naturel dépend du combustible spécifique, mais la dépréciation typique se situe entre 10 et 20% du débit du gaz de pétrole liquéfié.

## Baisse de puissance à haute altitude ou à température élevée

La densité de l'air étant moindre en haute altitude, la puissance du moteur est donc réduite. En fait, la puissance du moteur sera réduite de 3,5% pour chaque 1000 pieds (300 mètres) au-dessus du niveau de la mer, et de 1% pour chaque 10° F (5,6°C) au-dessus de 77°F (25°C). Votre installateur et vous-même devriez vous assurer de tenir compte de ces facteurs au moment de déterminer la charge totale de la génératrice.

## Vérification de la livraison

Après avoir enlevé le carton, examinez avec soin les éléments de la génératrice pour tout dommage subi durant l'expédition.

Au moment de la livraison, si vous remarquez des dommages ou des pièces manquantes, demandez au livreur de noter tous les dommages sur la facture de fret et d'apposer sa signature dans l'espace réservé à cet effet. Après la livraison, si vous remarquez des pièces manquantes ou des dommages, mettez les pièces endommagées de côté et communiquez avec le transporteur pour connaître les procédures de réclamation. Les pièces manquantes ou endommagées ne sont pas garanties.

## Le groupe électrogène est livré avec les éléments suivants:

- Système de refroidissement viabilisé
- Système de lubrification viabilisé
- Raccord de combustible flexible
- Manuel d'installation et de démarrage
- Manuel d'utilisation
- Clés pour la porte d'accès
- Fusible de rechange de 15 ampères ATO
- Connecteur à dix mâle pour tableau de commande
- Peinture de retouche
- Trousse du voyant DEL à distance (DEL/plaque/vis)

## Articles non fournis :

- Batterie de démarrage
- Berceau de montage
- Fil et conduit de connexion
- Vannes/plomberie d'alimentation en combustible
- Divers outils/équipements spécialisés

NOT  
for  
REPRODUCTION

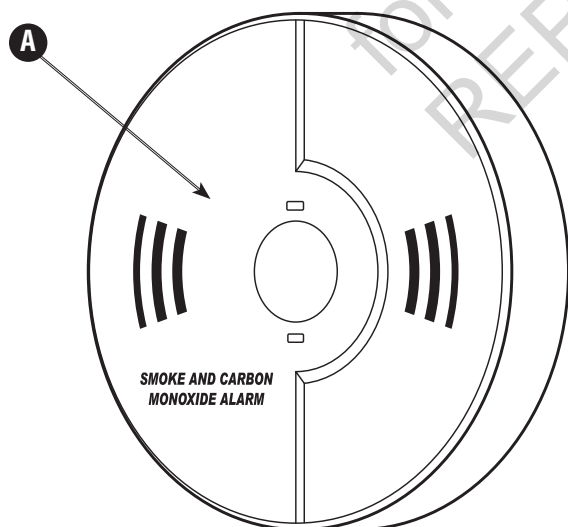
## Emplacement de la génératrice

L'emplacement physique réel de votre génératrice de secours a une incidence directe sur:

1. La quantité de tuyauterie nécessaire pour l'alimentation en combustible de votre génératrice.
2. La quantité de câblage nécessaire pour commander et brancher votre génératrice.

Familiarisez-vous avec celles-ci et discutez-en avec votre installateur. N'oubliez pas de demander à l'installateur si votre choix d'emplacement est conforme aux normes et aux codes locaux et de quelle façon celui-ci influe sur les coûts d'installation.

- Installez la génératrice à l'extérieur, dans un endroit où les gaz d'échappement mortels ne s'accumuleront pas.
- N'installez PAS la génératrice dans un endroit où les gaz d'échappement pourraient s'accumuler et pénétrer ou être aspirés dans les espaces d'un édifice qui pourraient être occupés.
- Dans plusieurs États, la Loi exige qu'un détecteur de monoxyde de carbone fonctionnel soit installé dans votre maison. Installez et entretenez des détecteurs de monoxyde de carbone **A** à l'intérieur conformément aux instructions et recommandations du fabricant. Un moniteur de monoxyde de carbone est un dispositif électronique qui détecte les niveaux dangereux de CO. S'il y a une accumulation de CO, le moniteur alertera les occupants en faisant clignoter une lampe témoin et en déclenchant une alarme. Les détecteurs de fumée ne peuvent pas détecter le CO.



**AVERTISSEMENT** Un moteur en marche dégage du monoxyde de carbone, un gaz inodore, incolore et toxique. L'inhalation du monoxyde de carbone peut entraîner la mort, des blessures graves, des maux de tête, de la fatigue, des étourdissements, des vomissements, de la confusion, des crises épileptiques, des nausées et l'évanouissement.

- Faites fonctionner la génératrice UNIQUEMENT à l'extérieur, dans un endroit où les gaz d'échappement mortels ne s'accumuleront pas.
- Assurez-vous que les gaz d'échappement sont éloignés des fenêtres, des portes, des prises d'aération, des orifices de ventilation dans l'avant-toit, des vides sanitaires, des portes de garage ouvertes ou de toute autre ouverture par lesquelles les gaz d'échappement pourraient pénétrer à l'intérieur ou être aspirés dans les espaces d'un édifice qui pourraient être occupés.
- Les détecteurs monoxyde de carbone doivent être installés et doivent être maintenus à la maison selon les recommandations des instructions du fabricant. Les détecteurs de fumée ne peuvent pas détecter du gaz monoxyde de carbone.

**AVERTISSEMENT** La chaleur et les gaz d'échappement peuvent enflammer les matériaux combustibles et les structures et entraîner la mort, des blessures graves ou des dommages matériels.

- NE placez PAS le côté opposé à l'échappement du boîtier étanche à moins de 45,7 cm (18 po) de toute structure.
- Le dégagement entre le côté avec sortie d'air du boîtier et toute structure, tout arbre ou arbuste ou toute végétation doit être d'au moins 1,5 m (5 pi).
- Le boîtier étanche de la génératrice de secours doit être situé à au moins 1,5 m (5 pi) des fenêtres, des portes, des ouvertures, des arbustes ou de la végétation ayant plus de 30 cm (12 po) de hauteur.
- Le dégagement entre le dessus du boîtier étanche de la génératrice de secours et toute structure, tout porte-à-faux ou tout arbre doit être d'au moins 1,2 m (4 pi).
- NE placez PAS le boîtier étanche sous une terrasse ou n'importe quelle autre structure qui pourrait limiter la circulation d'air.
- UTILISEZ SEULEMENT la conduite d'alimentation en carburant en acier flexible fournie. Raccordez la conduite d'alimentation en carburant fournie à la génératrice; N'utilisez AUCUNE autre conduite d'alimentation flexible.
- Les détecteurs de fumée doivent être installés et doivent être maintenus à la maison selon les recommandations des instructions du fabricant. Les alarmes monoxyde de carbone ne peuvent pas détecter de la fumée.
- NE placez PAS la génératrice d'une autre façon que celle illustrée.

- Assurez-vous que les gaz d'échappement sont éloignés des fenêtres, des portes, des prises d'aération, des orifices de ventilation dans l'avant-toit, des vides sanitaires, des portes de garage ouvertes ou de toute autre ouverture par lesquelles les gaz d'échappement pourraient pénétrer à l'intérieur ou être aspirés dans les espaces d'un édifice qui pourraient être occupés. Voisin peut aussi être exposée aux gaz d'échappement de votre génératrice de secours et vous devez en tenir compte lorsque vous installez votre génératrice

Le Guide d'installation présente des consignes particulières relatives au choix de l'emplacement de la génératrice.

Français

fr

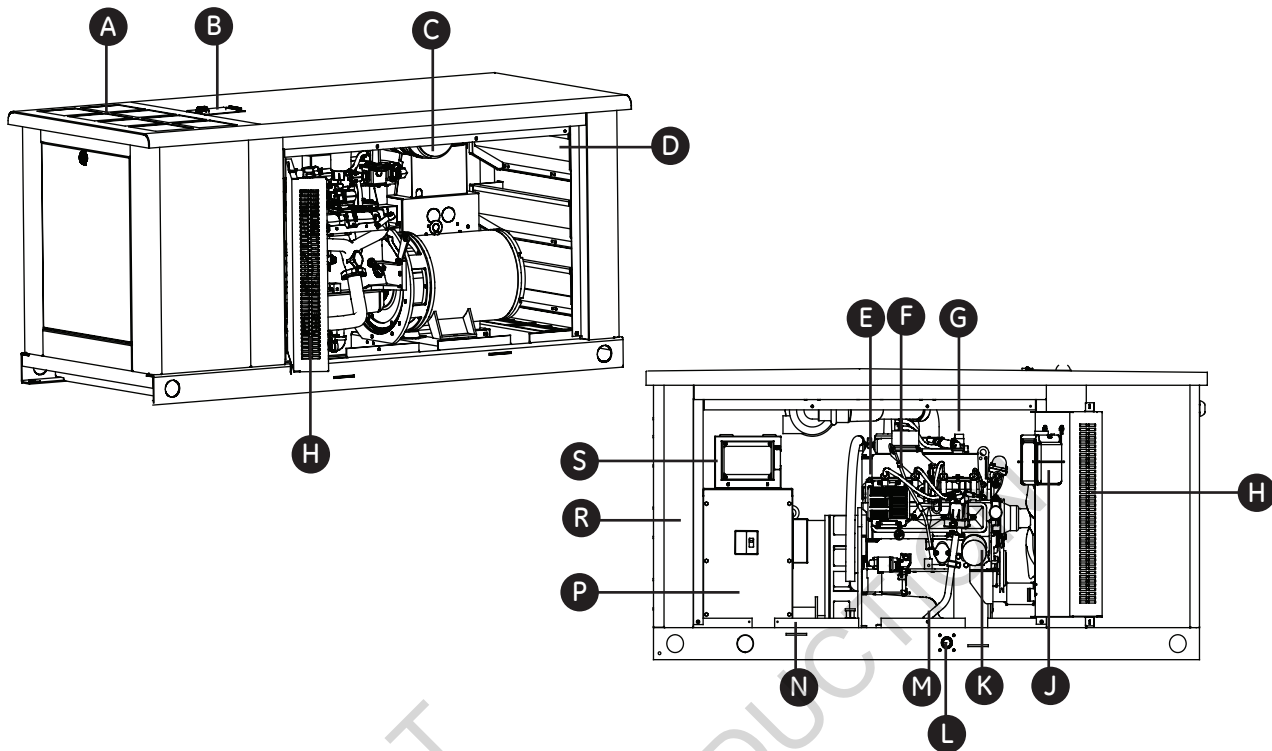


# Commandes

## Groupe électrogène 60 kwatt



Lire ce manuel de l'utilisateur et les Directives de sécurité importantes **avant** de faire marcher votre générateur. Comparez les illustrations avec votre générateur 60 kW pour vous familiariser avec l'emplacement des diverses commandes et réglages. **Gardez ce manuel pour le consulter plus tard.**



La génératrice est illustrée sans ses portes d'accès ainsi qu'avec la grille de protection ouverte afin de mieux la voir.

**A - Orifice d'échappement** – Silencieux haute performance qui réduit le bruit du moteur afin de se conformer à la plupart des codes en milieu résidentiel.

**B - Porte de remplissage du liquide de refroidissement** — Permet d'accéder au moteur pour le remplir de liquide refroidissant.

**C - Filtre à air** — Protège le moteur en filtrant la poussière et les débris dans la prise d'air.

**D - Porte d'accès à la batterie** — Permet d'accéder à la batterie de démarrage et au filtre à air.

**E - Plaque du moteur** – Identifie le modèle ainsi que le type de moteur.

**F - Jauge d'huile** – Utilisée pour vérifier le niveau d'huile du moteur.

**G - Bouchon de remplissage d'huile** – Enlevez-le pour effectuer l'entretien du moteur avec le type d'huile recommandé.

**H - Grille de protection** — Empêche le contact des doigts avec le ventilateur du radiateur et loge la bouteille de récupération du liquide de refroidissement. Doit être gardé fermée lorsque la génératrice est utilisée.

**J - Bouteille de récupération du liquide de refroidissement** — Située à l'intérieur de la grille de protection. Offre un indicateur visuel du niveau de liquide de refroidissement du moteur.

**K - Filtre à l'huile** – Filtre l'huile du moteur afin d'en prolonger la durée de vie utile.

**L - Orifice d'admission du combustible** — C'est ici qu'est branché le tuyau d'alimentation en combustible.

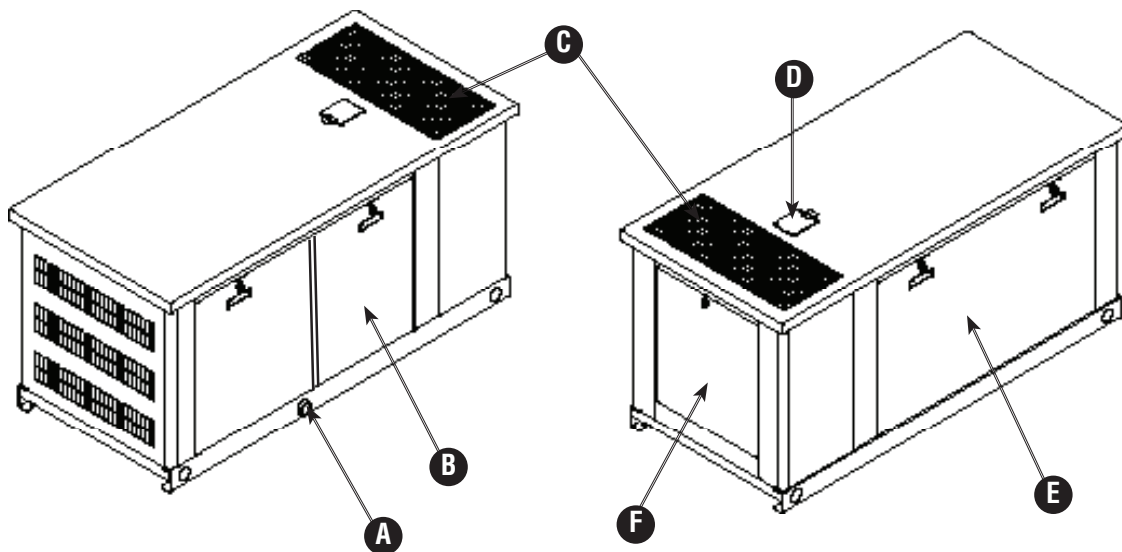
**M - Boyau de vidange d'huile** – Fourni afin de faciliter les changements d'huile.

**N - Étiquette d'identification (sur la base)** – Identifie l'unité par son numéro de série.

**P - Boîtier du disjoncteur** — Comprend un panneau inférieur amovible qui facilite les raccordements de conduits.

**R - Porte d'accès du tableau de commande** — Permet d'accéder au tableau de commande, au filtre à l'huile, etc.

**S - Tableau de commande** – Utilisé pour diverses fonctions d'essai, de fonctionnement et d'entretien. Consultez la partie Tableau de commande du système.



## Portes d'accès

Le groupe électrogène est muni d'un boîtier doté de portes d'accès, comme le montre l'illustration ci-dessous. Chaque porte est identifiée par un élément important qui se trouve derrière celle-ci, comme suit :

- A** Orifice d'admission de combustible (illustré pour référence pour référence)
- B** Porte d'accès du tableau de commande (peut être muni de deux portes)
- C** Orifice d'échappement (illustré pour référence)
- D** Porte de liquide de refroidissement
- E** Porte de batterie
- F** Porte de silencieux

**⚠ AVERTISSEMENT** Tout contact avec la zone du silencieux peut causer des brûlures graves.



- NE touchez PAS aux pièces chaudes et évitez le contact avec les gaz d'échappement.
- Laissez l'équipement refroidir avant de le toucher.

Le boîtier comprend également des panneaux d'accès au silencieux et au radiateur permettant le nettoyage de ces pièces. Ces panneaux doivent demeurer fermés à tout autre moment. Les portes doivent être installées afin d'assurer un refroidissement adéquat de l'équipement, la réduction de bruit et l'ajout de sécurité.

Chaque génératrice est munie de clés identiques. Ces clés s'adaptent aux serrures qui verrouillent les portes d'accès.

## Pour ouvrir une porte d'accès :

1. Insérez une des clés dans la serrure de la porte d'accès que vous souhaitez ouvrir et tournez la clé d'un quart de tour dans le sens antihoraire
2. Saisissez la poignée de la porte et tournez-la d'un quart de tour dans le sens antihoraire pour l'ouvrir. Retirez la clé.
3. La porte de remplissage de liquide de refroidissement se déverrouille de la même façon. Elle peut être utilisée pour l'ajout de liquide de refroidissement ou d'huile.

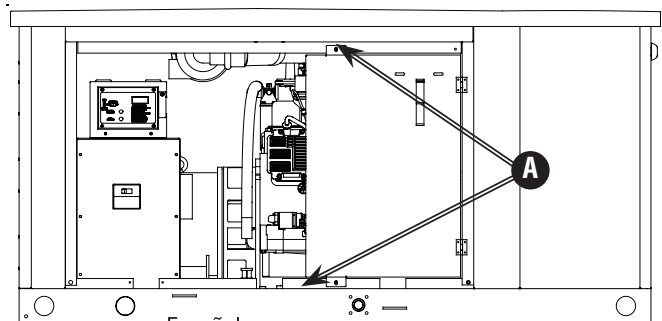
## Pour fermer une porte d'accès :

1. Fermez la porte et tournez la poignée de la porte d'un quart de tour dans le sens horaire.
2. Insérez une des clés dans la serrure de la porte d'accès et tournez la clé d'un quart de tour dans le sens horaire. Retirez la clé.

## Grillage de protection

Pour accéder au moteur et aux composants du système de refroidissement :

1. Retirez les deux vis **A** et les rondelles situées dans la partie supérieure et inférieure de la grille de protection.
2. La grille de protection s'ouvrira pour vous donner accès au moteur et aux composants du système de refroidissement.



Español

es

# Fonctionnement

## Considérations importantes pour le propriétaire

### Huile à moteur

**AVIS** Toute tentative de démarrer le moteur avant qu'il ait été rempli avec l'huile et le liquide de refroidissement recommandés entraînera une panne de l'équipement.

- Reportez-vous à la section Entretien au sujet du remplissage de l'huile et du liquide de refroidissement.
- La garantie sera annulée si des dommages à l'équipement sont entraînés par le manquement à se conformer à cette directive.

Ce moteur a été testé en usine et est livré rempli d'huile non synthétique (API SL 10W-30). Cela permet au système de fonctionner dans une plage élargie de températures et de conditions climatiques. Avant de démarrer le moteur, vérifiez le niveau d'huile et assurez-vous que le moteur a subi l'entretien décrit dans la section Entretien.

### Système de refroidissement

Ce moteur a été testé en usine et est livré rempli d'un mélange équilibré (50-50) d'antigel automobile (éthylène glycol) et d'eau. Cela procure, durant toute l'année, une protection optimale contre le gel, l'ébullition et la corrosion. Le système de refroidissement comprend un optional chauffe-eau qui fonctionne lorsque la température ambiante est inférieure à 80 °F (27 °C) ET lorsque l'électricité est branchée au commutateur de transfert. Avant de démarrer le moteur, vérifiez le niveau d'huile et assurez-vous que le moteur a subi l'entretien décrit dans la section Entretien.

### Batterie

L'installateur doit fournir une batterie de démarrage rechargeable de 12 volts. Voir *Batterie* dans la section *Considérations pour l'installation finale* du manuel d'installation.

**▲ AVERTISSEMENT** Les bornes, les cosses ainsi que tous les accessoires reliés à la batterie contiennent du plomb et des composés de plomb - produits chimiques reconnus par l'État de la Californie comme causant des cancers et d'autres problèmes de reproduction. Nettoyez-vous les mains après la manipulation.

### Fusible de 15 ampères

Le fusible de 15 A de la génératrice a été retiré à l'usine afin d'empêcher l'unité de démarrer durant le transport. Votre installateur s'assurera que le fusible est correctement remis en place après l'installation de la génératrice.

## Fonctionnement automatique

Pour actionner le fonctionnement automatique, suivez la procédure décrite ci-dessous :

1. Confirmez qu'un fusible de 15 A est installé dans le tableau de commande.
2. Réglez à **ON** le disjoncteur principal du panneau de distribution qui alimente la tension de service vers le commutateur de transfert.
3. Réglez le disjoncteur principal de la génératrice en position **ON**.
4. Réglez l'interrupteur de système du tableau de commande à **AUTO**.

**▲ ATTENTION** Avec l'interrupteur en position **AUTO**, le moteur peut se lancer et démarrer en tout temps sans avertissement.

- Pour éviter toute blessure potentielle qui pourrait résulter d'un tel démarrage, réglez toujours l'interrupteur de système sur **OFF**.
- Enlevez le fusible de 15 Ampères, avant de travailler sur ou autour de la génératrice ou du commutateur de transfert.

## Vérification du fonctionnement automatique

Pour vérifier si le fonctionnement automatique du système est adéquat, procédez comme suit:

1. Mettez hors tension l'interrupteur de débranchement ou le disjoncteur principal du panneau de distribution qui alimente le commutateur de transfert automatique. Lorsqu'il y aura baisse de tension et que le temps imparti du capteur sera écoulé, le moteur sera lancé et démarrera. Laissez le système compléter la totalité de sa séquence de fonctionnement automatique.
2. Alors que la génératrice alimente ses charges, mettez sous tension l'interrupteur de débranchement ou le disjoncteur principal du panneau de distribution qui alimente le commutateur de transfert automatique.
3. L'interrupteur de transfert automatique transférera les charges à l'alimentation de service après 5 minutes de fonctionnement minimum et du rétablissement de l'électricité.
4. La génératrice fonctionnera une minute de plus pour refroidir le moteur, puis s'arrêtera.

Si l'électricité est rétablie et que la génératrice ne s'arrête pas après 10 minutes, réglez l'interrupteur du système à **OFF** et appelez votre installateur ou votre centre de service local.

Cela complète les procédures d'essais du fonctionnement automatique. Le groupe électrogène démarrera automatiquement lors d'une panne électrique et alimentera le commutateur de transfert de circuits essentiels.

## Réglage de la minuterie du cycle d'exercice

Nous recommandons d'effectuer un cycle d'exercice de la génératrice tous les sept jours. Au cours de ce cycle d'exercice, l'unité fonctionne durant environ 20 minutes, puis s'arrête.

Veillez vous référer au Guide d'application du tableau de commande fourni avec la génératrice pour obtenir des renseignements plus détaillés au sujet de la minuterie d'exercice.

OU, référez-vous au Guide d'application des commutateurs de transfert automatiques pour obtenir des renseignements plus détaillés au sujet de la minuterie d'exercice.

## Entretien

### Arrêt du système

**Avant de procéder à l'entretien de la génératrice, suivez toujours les étapes suivantes.**

1. Réglez le disjoncteur principal de la génératrice en position **OFF**.
2. Réglez l'interrupteur de système du tableau de commande à **OFF**.
3. Retirez le fusible de 15 A du panneau de commande.
4. **De la tension de service est présente au tableau de commande de la génératrice.** Débranchez l'alimentation avant d'effectuer l'entretien du tableau de commande en retirant les deux fusibles du commutateur de transfert.
- 5 Une fois l'entretien terminé, remplacez les fusibles dans le commutateur de transfert, remplacez le fusible de 15 ampères dans le tableau de commande, réglez l'interrupteur du système et le disjoncteur à **ON** puis réinitialisez la minuterie du cycle d'exercice. Voir *Réglage de la minuterie du cycle d'exercice* à la section *Fonctionnement*.

### Système de détection d'alarmes d'arrêt

La génératrice fonctionnera sans doute pendant de longues périodes sans la présence d'un opérateur. C'est pourquoi le système est muni de capteurs qui arrêtent automatiquement la génératrice lorsque surviennent des problèmes potentiels, tels une faible pression de l'huile, une température élevée, l'emballement du moteur et d'autres conditions.

Le tableau de commande de la génératrice indique la description des alarmes d'arrêt possibles sur l'affichage numérique.

Voici les alarmes d'arrêt possibles :

- Overspeed (Survitesse).
- Underspeed (Sousvitesse).
- Low Oil Pressure (Faible pression d'huile).
- High Coolant Temperature (Température élevée du liquide de refroidissement).
- External Shutdown 1 (Arrêt externe 1).
- External Shutdown 2 (Arrêt externe 2).

- External Shutdown 3 (Arrêt externe 3).
- GCB (Generator Circuit Breaker) Fail (Panne du disjoncteur de la génératrice).
- Generator Overvoltage (Surtension de la génératrice).
- Generator Undervoltage (Sous-tension de la génératrice).
- Generator Overfrequency (Fréquence excessivement élevée de la génératrice).
- Generator Underfrequency (Fréquence excessivement basse de la génératrice).
- Generator CCW Rotation (Rotation en sens anti-horaire de la génératrice).
- Start Fail (Échec de démarrage).
- Stop Fail (Échec d'arrêt).
- Battery Flat (Batterie à plat).
- Voltage Autodetect (Détection automatique de la tension).

### Rétablissement du Système de détection d'alarmes d'arrêt

L'opérateur doit réarmer le système de détection des pannes chaque fois que celui-ci est activé.

Veillez vous référer au Guide d'application du tableau de commande fourni avec la génératrice pour obtenir des renseignements plus détaillés au sujet du rétablissement du Système de détection d'alarmes d'arrêt.

### Overspeed (Survitesse)

Cette alarme d'arrêt est indiquée par Overspeed sur l'affichage numérique. Cette situation se produit lorsque la vitesse du moteur est supérieure à 115 % de la rotation nominale du moteur, qui est dérivée de la fréquence de la génératrice.

Pour régler ce problème, communiquez avec votre installateur ou un détaillant autorisé.

### Underspeed (Sousvitesse)

Cette alarme d'arrêt est indiquée par Underspeed sur l'affichage numérique. Cette condition se produit si la vitesse du moteur chute sous la rotation nominale du moteur.

Pour régler ce problème, communiquez avec votre installateur ou un détaillant autorisé.

Español

es

### **Low Oil Pressure (Faible pression d'huile)**

Cette alarme d'arrêt est indiquée par Low Oil Pressure sur l'affichage numérique. L'appareil est muni d'un manostat d'huile qui utilise des contacts normalement fermés étant maintenus ouverts par la pression de l'huile du moteur lorsque celui-ci est en marche. Si la pression d'huile baisse sous 8 psi, les manostats se referment et le moteur s'arrêtera.

Pour régler un problème de faible pression d'huile, ajoutez l'huile recommandée jusqu'à la marque FULL de la jauge d'huile ou communiquez avec votre installateur ou un détaillant autorisé.

### **High Coolant Temperature (Température élevée du liquide de refroidissement)**

Cette alarme d'arrêt est indiquée par High Coolant Temperature sur l'affichage numérique. Cette condition se produit lorsque la température du liquide de refroidissement excède le seuil d'arrêt.

Pour régler ce problème, communiquez avec votre installateur ou un détaillant autorisé.

### **External Shutdown (Arrêt externe) 1, 2 ou 3**

Cette alarme d'arrêt est indiquée par External Shutdown sur l'affichage numérique.

Pour régler ce problème, communiquez avec votre installateur ou un détaillant autorisé.

### **GCB (Generator Circuit Breaker) Fail (Panne du disjoncteur de la génératrice)**

Cette alarme d'arrêt est indiquée par GCB Fail sur l'affichage numérique. Cette condition survient lorsque le disjoncteur de la génératrice se déclenche ou devient non fonctionnel.

Pour régler ce problème, communiquez avec votre installateur ou un détaillant autorisé.

### **Generator Overvoltage (Surtension de la génératrice)**

Cette alarme d'arrêt est indiquée par Generator Overvoltage sur l'affichage numérique. Cette condition se produit si la tension de sortie excède le seuil pré-réglé.

Pour régler ce problème, communiquez avec votre installateur ou un détaillant autorisé.

### **Generator Undervoltage (Soustension de la génératrice)**

Cette alarme d'arrêt est indiquée par Generator Undervoltage sur l'affichage numérique. Cette condition se produit si la tension de la batterie chute sous la valeur pré-réglée.

Pour régler ce problème, communiquez avec votre installateur ou un détaillant autorisé.

### **Generator Overfrequency (Fréquence excessivement élevée de la génératrice)**

Cette alarme d'arrêt est indiquée par Generator Overfrequency sur l'affichage numérique. Cette condition survient lorsque la fréquence de la génératrice est à l'extérieur des limites établies par les points de réglage.

Pour régler ce problème, communiquez avec votre installateur ou un détaillant autorisé.

### **Generator Underfrequency (Fréquence excessivement basse de la génératrice)**

Cette alarme d'arrêt est indiquée par Generator Underfrequency sur l'affichage numérique. Cette condition survient lorsque la fréquence de la génératrice est à l'extérieur des limites établies par les points de réglage.

Pour régler ce problème, communiquez avec votre installateur ou un détaillant autorisé.

### **Generator CCW Rotation (Rotation en sens anti-horaire de la génératrice)**

Cette alarme d'arrêt est indiquée par Generator CCW sur l'affichage numérique. Cette condition survient lorsque la phase de la génératrice est hors séquence.

Pour régler ce problème, communiquez avec votre installateur ou un détaillant autorisé.

### **Start Fail (Échec de démarrage)**

Cette alarme d'arrêt est indiquée par Start Fail sur l'affichage numérique. Cette condition survient lorsque la génératrice ne démarre pas.

Pour régler ce problème, communiquez avec votre installateur ou un détaillant autorisé.

### **Entretien du générateur**

L'entretien de la génératrice consiste à garder l'unité propre. Utilisez l'unité dans un environnement où elle ne sera pas exposée à de la poussière, saleté et humidité excessive ni à des vapeurs corrosives. Les ailettes de refroidissement d'air du boîtier ne doivent pas être obstruées par de la neige, des feuilles ou d'autres corps étrangers. Afin de prévenir tout dommage à la génératrice causé par la surchauffe, gardez les entrées et les sorties de refroidissement du boîtier propres et dégagées en tout temps.

Vérifiez souvent la propreté de l'appareil et nettoyez ce dernier lorsque de la poussière, des saletés, de l'huile, de l'humidité ou d'autres substances étrangères sont visibles sur sa surface intérieure/extérieure. Inspectez l'entrée d'air et les ouvertures de sortie ainsi que la partie extérieure du boîtier pour vous assurer que la circulation de l'air n'est pas obstruée.

N'utilisez PAS le jet direct d'un boyau d'arrosage pour nettoyer la génératrice. L'eau peut entrer dans le moteur et la génératrice et causer des problèmes.



## Pour nettoyer le générateur

**AVIS** Un traitement inapproprié du générateur risque de l'endommager et de raccourcir sa durée d'utilisation.

- N'exposez pas le générateur à une humidité excessive, à de la poussière, à de la saleté ou à des vapeurs corrosives.
- N'insérez aucun objet dans les fentes de refroidissement.

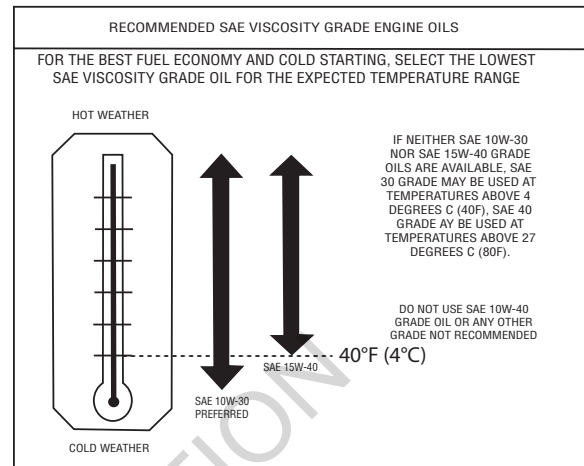
1. Réglez l'interrupteur de système de la génératrice sur **OFF**.
2. Retirez le fusible de 15 ampères du panneau électrique.
3. Nettoyer le générateur:
  - Se servir d'un chiffon humide pour essuyer et nettoyer les surfaces extérieures.
  - Une brosse douce à poils soyeux peut être utilisée pour dégrager la saleté, l'huile durcie.
  - Un aspirateur peut être utilisé pour ramasser la saleté et les débris qui ne sont pas collés.
  - On peut se servir d'air comprimé à basse pression (pas plus de 25 psi) pour enlever la saleté. Inspectez les fentes d'air de refroidissement et les ouvertures sur le générateur. Ces ouvertures doivent rester propres et non bouchées.
4. Installez le fusible de 15 A dans le panneau électrique.
5. Réglez l'interrupteur de système de la génératrice sur **AUTO**.
6. Réinitialisez la minuterie du cycle d'exercice. Voir *Réglage de la minuterie du cycle d'exercice*.

## Entretien du moteur

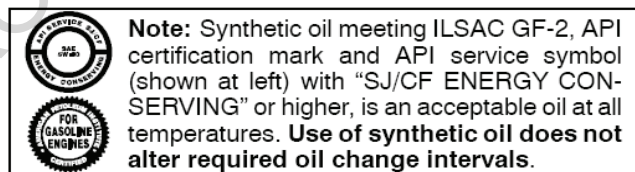
L'entretien d'un moteur et de ses composants reliés sont critiques à la performance de fonctionnement et à leur durée de vie. Les moteurs industriels fonctionnent dans un environnement qui inclut souvent des températures chaudes et froides et une abondance de poussière. L'horaire d'entretien recommandé est indiqué dans cette section. Les conditions ambiantes de fonctionnement ainsi que les équipements additionnels peuvent cependant nécessiter une inspection et un entretien plus fréquents. Le propriétaire et/ou les techniciens de service autorisé devraient examiner les conditions de fonctionnement de l'équipement afin de déterminer les intervalles d'inspection et d'entretien. Il est très important de bien refroidir et lubrifier le moteur. Prêtez donc une attention particulière à ces aspects.

## Niveau d'huile

Le moteur est expédié de la pré-course d'usine et rempli avec le pétrole non-synthétique (API SL 10W-30). Ceci tient le compte de l'opération de système dans une grande variété de conditions de température et climat. Avant de démarrer le moteur, vérifiez le niveau d'huile et assurez-vous que le moteur a subi l'entretien décrit dans la section Entretien.



L'huile doit être conforme à la spécification 9986231 de GM. Les huiles moteur qui sont conformes à cette spécification arborent le symbole de l'étoile rayonnante de l'API (American Petroleum Institute) :



Il est à noter que les huiles GF-4 sont aussi « rétrocompatibles » et qu'elles sont égales ou supérieures aux classes précédentes d'huile et ce, dans tous les aspects.

## Huiles synthétiques

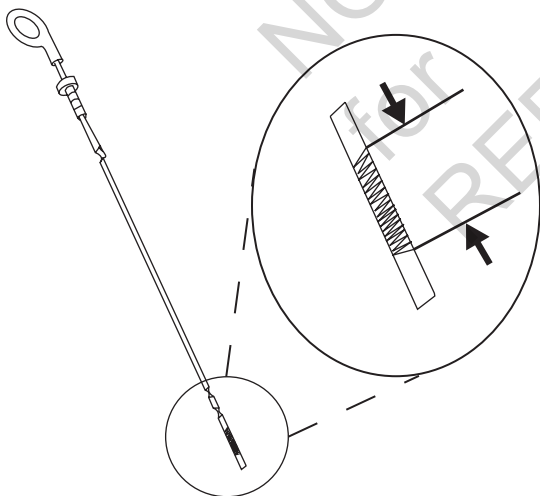
Les huiles synthétiques sont disponibles pour une utilisation dans les moteurs industriels depuis une période de temps relativement longue et leur utilisation peuvent offrir des avantages dans des conditions de température froide et chaude. On ne sait cependant pas si les huiles synthétiques procurent des avantages fonctionnels ou économiques par rapport aux huiles de pétrole traditionnels dans les moteurs industriels. L'utilisation des huiles synthétiques ne permet pas de prolonger les intervalles de changement d'huile.



## Vérification du niveau d'huile du moteur

**REMARQUE** Il est important d'être prudent lors de la vérification du niveau d'huile du moteur. Le niveau d'huile doit être gardé entre les repères Ajouter (« ADD ») et Maximum (« FULL ») sur la jauge d'huile. Pour vous assurer que vous n'obtenez pas une lecture erronée, assurez-vous de suivre les étapes suivantes avant de vérifier le niveau d'huile.

1. Arrêtez le moteur.
2. Réglez l'interrupteur du système du tableau de commande à OFF.
3. Retirez le fusible de 15 A du tableau de commande.
4. Allouez environ cinq minutes pour que l'huile se retrouve dans le carter d'huile.
5. Retirez la jauge. Essuyez-la avec un linge ou un essuie-tout propre et remettez la jauge en place. Poussez la jauge entièrement dans le tube de la jauge.
6. Retirez la jauge et vérifiez la quantité d'huile sur la jauge. Le niveau d'huile doit être entre les repères « ADD » et « FULL ».
7. Si le niveau d'huile est sous le repère ajouter (« ADD »), remettez la jauge en place et effectuez l'étape 6.
8. Enlevez le couvercle de l'orifice de remplissage d'huile du couvercle des soupapes.
9. Ajoutez la quantité requise d'huile de sorte à augmenter le niveau mais sans qu'il n'excède le repère « FULL » de la jauge d'huile. Remplacez le couvercle de l'orifice de remplissage d'huile sur le couvercle du culbuteur de soupape et essuyez tout excès d'huile.



## Changement d'huile à moteur

**ATTENTION** Évitez tout contact cutané prolongé ou répété avec l'huile moteur usagée.

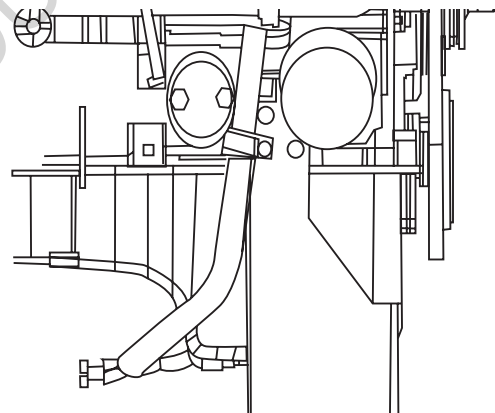
- Il a été démontré que l'huile moteur usagée risque de provoquer un cancer de la peau chez certains animaux de laboratoire.
- Rincez consciencieusement les zones exposées avec de l'eau et du savon.



GARDEZ HOS DE PORTÉE DES ENFANTS. NE POLLUEZ PAS. CONSERVEZ LE SURPLUS. RAPPORTEZ L'HUILE USAGÉE AUX CENTRES DE RECYCLAGE.

1. Réglez l'interrupteur de système du tableau de commande à **OFF**.
2. Retirez le fusible de 15 A du panneau de commande.
3. Placez le boyau de vidange d'huile dans un récipient approuvé.
4. Retirez le raccord en laiton de l'extrémité du boyau. Changez l'huile lorsque le moteur est encore chaud.
5. Une fois l'huile vidangée, remplacez le raccord en laiton sur le boyau.
6. Ajoutez la quantité requise d'huile de sorte à augmenter le niveau mais sans qu'il n'excède le repère « FULL » de la jauge d'huile. Remplacez le couvercle de l'orifice de remplissage d'huile sur le couvercle du culbuteur de soupape et essuyez tout excès d'huile.

La figure présente 35 kwatt.



## Courroies en V du moteur

Le moteur installé dans cet équipement utilise des courroies d'entraînement qui activent la pompe à eau et l'alternateur. Les courroies d'entraînement font partie intégrale des systèmes de refroidissement et de recharge et doivent être inspectées selon un horaire d'entretien. Lors de l'inspection des courroies, vérifiez la présence de :

- Fissures
- Déformation de la courroie
- Fentes
- Matériau de courroie lâche
- Glaçure, durcissement

Si l'une de ces conditions est présente, remplacez immédiatement la courroie.

## Système de liquide de refroidissement du moteur

Il est important que le système de refroidissement du moteur soit correctement entretenu afin d'assurer une performance appropriée et une longue durée de vie.

**⚠ AVERTISSEMENT** Du liquide de refroidissement sous pression chaud peut entraîner des blessures et des dommages matériels.

- NE PAS ouvrir le bouchon du radiateur lorsque le liquide de refroidissement est chaud.
- Laissez refroidir le liquide de refroidissement avant d'effectuer l'entretien.

**REMARQUE** Les antigels à base d'alcool ou de méthanol ou de l'eau ne sont jamais recommandés pour une utilisation avec le système de refroidissement.

Le système de refroidissement doit être entretenu conformément à l'horaire d'entretien recommandé et l'inspection doit inclure :

- Le retrait régulier de la poussière, de la saleté et de débris du faisceau de radiateur et de la buse du ventilateur.
- L'inspection des boyaux de liquide de refroidissement et des composants au niveau des fuites, spécialement dans les connexions des boyaux du radiateur. Serrez les brides de serrage au besoin.
- Vérifiez si les boyaux de radiateur présentent des gonflements, des séparations, du durcissement, des fissures ou tout autre type de détérioration.
- Inspectez le bouchon du radiateur pour vérifier l'étanchéité.

## Système de refroidissement

Avec le moteur froid, vérifiez le niveau de de réfrigérant dans la bouteille de récupération du liuide de refroidissement (voir *Commandes*). Les spécifications pour le système de refroidissement se trouvent dans le tableau Entretien de ce manuel. Spécification du liquide de refroidissement - ethylene glycol 50-50 à de l'eau distillée.

## Filtre à air du moteur

Une fois par année, effectuez l'entretien du filtre à air tel que décrit ci-dessous. Effectuez l'entretien plus souvent pour les environnements poussiéreux.

1. Réglez l'interrupteur du système du tableau de commande à **OFF**.
2. Retirez le fusible de 15 A du tableau de commande.
3. Retirez l'élément filtrant – Retirez le couvercle d'entretien en relâchant les trois agrafes et en retirant le couvercle, en commençant avec les deux agrafes du bas et l'agrafe du haut en dernier. Déplacez soigneusement l'extrémité du filtre de l'arrière vers l'avant, puis tournez-le tout en le tirant.

4. Nettoyez le tube de sortie et vérifiez la soupape à poussières. Utilisez un linge propre pour essuyer surface de scellement du filtre ainsi que les surfaces du tube de sortie. Assurez-vous que tous les contaminants sont retirés avant d'insérer le nouveau filtre. Faites attention de ne pas endommager la zone de scellement du tube.



Inspectez visuellement et pressez physiquement la soupape à poussières fixée au couvercle d'entretien et assurez-vous qu'elle est flexible et qu'elle n'est pas inversée, endommagées ou obstruée.

5. Nettoyez le filtre - Utilisez une brosse à soies douces pour déloger les accumulations de saletés et un aspirateur pour retirer les saletés et les débris. Une faible pression d'air (25 psi au maximum) peut aussi être utilisée pour souffler les saletés. Remplacez l'élément filtrant lorsque des trous sont visibles dans le filtre.
6. Installez un filtre propre de façon appropriée – Insérez soigneusement le filtre. Placez le filtre avec les mains, en s'assurant qu'il repose complètement dans le bâti du filtre à air avant de fixer le couvercle. Pour assurer un bon scellement, appliquez de la pression avec une main sur le rebord externe du filtre et non pas sur le centre flexible. (Évitez de pousser sur le centre du couvercle d'extrémité en uréthane.) Aucune pression sur le couvercle n'est requise pour conserver le scellement. N'utilisez JAMAIS le couvercle d'entretien pour pousser le filtre en place! L'utilisation du couvercle pour pousser le filtre pourrait endommager le bâti, le couvercle ou les attaches et annulera la garantie. Si le couvercle d'entretien touche au filtre avant qu'il ne soit entièrement en place, retirez le couvercle et poussez le filtre (à la main) plus loin dans le filtre à air. Le couvercle devrait s'installer sans force excessive.

7. Réinstallez le couvercle d'entretien – Une fois le filtre en place, réinstallez le couvercle d'entretien en le positionnant avec la flèche et le mot TOP sur le dessus. Fixez d'abord l'agrafe du haut, puis les deux agrafes du bas en dernier. Assurez-vous que toutes les bandes de montage, les attaches, les boulons et les connexions du système de filtre à air sont bien serrés et vérifiez l'absence de trous dans la tuyauterie – réparez au besoin.
8. Réinstallez le fusible de 15 A dans le tableau de commande.
9. Réglez l'interrupteur du système du tableau de commande à **ON**.

## Batterie

**▲ AVERTISSEMENT** Les bornes, les cosses ainsi que tous les accessoires reliés à la batterie contiennent du plomb et des composés de plomb - produits chimiques reconnus par l'État de la Californie comme causant des cancers et d'autres problèmes de reproduction. Nettoyez-vous les mains après la manipulation.

Entretien de batteries est être exécuté ou être surveillé par le personnel bien informé de batteries et les précautions exigées. Eloigner le personnel inautorisé des batteries.

### Entretien de la batterie

Si vous devez faire l'entretien de la batterie, procédez comme suit:

1. Réglez l'interrupteur de système de la génératrice sur **OFF**.
2. Retirez le fusible de 15 ampères du panneau électrique.
3. Entretenez et remplacez la batterie au besoin.  
*Voir Batterie dans la section Considérations pour l'installation finale du manuel d'installation au sujet de la batterie spécifique requise.*
4. À l'aide de la quincaillerie fournie, branchez le fil rouge de la batterie au terminal positif de la batterie (identifié par **POSITIVE, POS** ou (+)).
5. À l'aide de la quincaillerie fournie, branchez le fil noir de la batterie au terminal négative de la batterie (identifié par **NEGATIVE, NEG** ou (-)).
6. Assurez-vous que la quincaillerie des terminaux positif et de retour de la batterie sont fixés solidement.
7. Installez le fusible de 15 A dans le panneau électrique.
8. Réglez l'interrupteur de système de la génératrice sur **AUTO**.
9. Réinitialisez la minuterie du cycle d'exercice. Voir *Réglage de la minuterie du cycle d'exercice*.



NE POLLUEZ PAS. PRÉSERVEZ LES RESSOURCES.  
RETOURNEZ LA BATTERIE USÉE À UN CENTRE DE COLLECTE SÉLECTIVE.

## Rechargez la batterie

Si vous devez faire charge de la batterie, procédez comme suit:

1. Réglez l'interrupteur de système de la génératrice sur **OFF**.
2. Retirez le fusible de 15 ampères du panneau électrique.
3. À l'aide de la quincaillerie fournie, débranchez le fil noir de la batterie au terminal négative de la batterie (identifié par **NEGATIVE, NEG** ou (-)).

**AVIS** L'omission de débrancher le câble négatif de la batterie entraînera une panne de l'équipement.

- NE tentez PAS d'utiliser une batterie d'appoint.
- La garantie sera annulée si des dommages à l'équipement sont entraînés par le non-respect de cette directive.
- 4. Rechargez la batterie avec le chargeur de batterie à 2 ampères jusqu'à obtention de la tension de 12 volts. NE chargez PAS la batterie à plus de 13,7 volts.

**⚠ AVERTISSEMENT** Les batteries d'accumulateur produisent du gaz hydrogène explosif lorsqu'elles se rechargent. La plus petite étincelle enflammera l'hydrogène et provoquera une explosion.



Le liquide d'électrolyte de l'accumulateur contient de l'acide et est extrêmement caustique. Le contact avec le liquide de l'accumulateur provoquera de graves brûlures chimiques. Toute batterie présente un risque de choc électrique et de courant de court-circuit élevé.

- NE jetez PAS la batterie dans un feu. Recyclez la batterie.
- Ne laissez aucune flamme, étincelle, source de chaleur ou cigarette allumée pendant ou plusieurs minutes suivant la charge de l'accumulateur.
- N'ouvrez PAS ni N'endommagez la batterie.
- Portez des lunettes de sécurité ainsi qu'un tablier, des bottes et des gants en caoutchouc.
- Enlevez votre montre, vos bagues et tout autre objet de métal.
- Utilisez des outils avec des poignées isolées.

5. À l'aide de la quincaillerie fournie, branchez le fil noir de la batterie au terminal négative de la batterie (identifié par **NEGATIVE, NEG** ou (-)).

**⚠ ATTENTION** Avec l'interrupteur en position **AUTO**, le moteur peut se lancer et démarrer en tout temps sans avertissement.



- Pour éviter toute blessure potentielle qui pourrait résulter d'un tel démarrage, réglez toujours l'interrupteur de système sur **OFF**.
- Enlevez le fusible de 15 Ampères, avant de travailler sur ou autour de la génératrice ou du commutateur de transfert.

6. Assurez-vous que la quincaillerie des terminaux positif et de retour de la batterie sont fixés solidement.
7. Installez le fusible de 15 A dans le panneau électrique.
8. Réglez l'interrupteur de système de la génératrice sur **AUTO**.
9. Réinitialisez la minuterie du cycle d'exercice. Voir *Réglage de la minuterie du cycle d'exercice*.

Français

fr

## Inspection et entretien du circuit d'alimentation

### Système au gaz naturel/propane

Le circuit d'alimentation installé dans ce moteur industriel a été conçu en fonction de diverses normes afin d'assurer la performance et la fiabilité. Pour assurer la conformité à ces normes, veuillez suivre l'horaire d'entretien recommandé décrit dans cette section.

### Inspection et entretien du régulateur de pression

**REMARQUE** Les composants du régulateur de pression ont été conçus et calibrés spécifiquement afin de satisfaire aux exigences du circuit d'alimentation du moteur.

Si le régulateur devient défectueux ou présente une fuite, il doit être réparé ou remplacé avec les pièces de remplacement recommandées du fabricant d'équipement. Lors de l'inspection du régulateur, vérifiez les éléments suivants :

- Vérifiez si des fuites sont présentes à l'admission et aux raccords de sortie.
- Vérifiez si des fuites sont présentes dans le régulateur.
- Vérifiez si le régulateur est monté solidement et que les boulons de montage sont solides.
- Vérifiez la présence de dommages externes au régulateur.

### Inspection et entretien du dispositif de poussée/diffuseur

**REMARQUE** Les composants de poussée/diffuseur ont été conçus et calibrés spécifiquement afin de satisfaire aux exigences du circuit d'alimentation du moteur.

Lors de l'inspection du dispositif de poussée/diffuseur, vérifiez les éléments suivants :

**REMARQUE** Un filtre à air sale peut nuire considérablement à la performance du diffuseur.

- Fuites de tous les raccords.
- S'assurer que le dispositif de poussée et diffuseur sont solidement montés.
- Inspectez les éléments du filtre à air selon l'horaire d'entretien recommandé se trouvant dans cette section.
- Inspectez la connexion du boyau d'admission d'air et la bride. Inspectez la présence de fissures, de séparation ou d'hachure sur le boyau. Si l'une de ces conditions est présente, remplacez le boyau.
- Inspectez la présence de fissures, de séparation ou d'hachure sur les conduits d'essence. Si l'une de ces conditions est présente, remplacez les conduits d'essence.
- Vérifiez s'il y a des fuites sur le dispositif de poussée et le collecteur d'admission.

## Inspection et entretien du système d'échappement

Lors de l'inspection du système d'échappement, vérifiez les éléments suivants :

- Vérifiez s'il y a des fuites au niveau de la tête de cylindre du collecteur d'échappement et que tous les boulons de retenue et dispositifs de protection (si installés) sont en place.
- Inspectez les attaches du collecteur vers le tuyau d'échappement pour vous assurer de leur solidité et qu'il n'y a pas de fuite d'échappement. Réparez au besoin.
- Vérifiez s'il y a des fuites à la connexion du tuyau d'échappement. Réparez au besoin.

### Partie externe du moteur

Inspectez régulièrement la partie externe du moteur au niveau de la contamination et de l'endommagement potentiel causés par la saleté, les feuilles, les rongeurs, les toiles d'araignée, les insectes, etc. et retirez ces matières.

Consultez le manuel d'installation au sujet de l'emplacement de ces renseignements.

### Communications avec le fabricant

Si vous devez communiquer avec le service technique pour l'entretien ou la réparation de cette unité, ayez en main les renseignements suivants:

1. Notez le numéro de modèle ainsi que le numéro de série de l'unité qui sont indiqués sur l'étiquette apposée sur l'unité. Voir *Commandes* au sujet de l'emplacement de l'étiquette ou consulter les renseignements apparaissant sur la deuxième de couverture du manuel d'installation.
2. Notez les numéros de modèle, de type et de code du moteur, lesquels sont indiqués sur la plaque apposée au moteur. Consultez le manuel d'utilisation du moteur pour savoir où trouver ces renseignements. Veuillez noter que plusieurs types de moteurs sont décrits dans le manuel d'utilisation. Il se peut donc que votre moteur diffère de celui illustré.

### Remisage

La génératrice est conçue pour produire une alimentation de secours de façon continue. Vous n'avez pas besoin de prendre des mesures relatives à l'entreposage. Toutefois, s'il devient nécessaire de désactiver le système durant une période prolongée, appelez le service technique au **800 743-4115**, entre 8 h et 17 h HNC, pour obtenir des recommandations spécifiques.

## Calendrier d'entretien

Cet horaire d'entretien représente les intervalles d'entretien recommandés par le fabricant afin de garder le bon fonctionnement du moteur/équipement. Les règlements fédéraux, d'État ou locaux peuvent exiger différents intervalles d'inspection ou d'entretien ou plus fréquents que ceux spécifiés ci-dessus. Vérifiez auprès de l'autorité ayant la juridiction pour plus de détails.

Effectuez l'entretien suivant sur le moteur aux heures indiquées et aux intervalles équivalents en heures par la suite.

Entretien	Heures d'intervalle									
	Avant chaque utilisation	1000	1500	2000	2500	3000	3500	4000	4500	5000
<b>Section de l'entretien général</b>										
Vérification visuelle des fuites de liquide	X									
Vérifier le niveau d'huile du moteur	X									
Vérifier le niveau du liquide de refroidissement	X									
Changer l'huile à moteur et le filtre à l'huile	<b>Aux 100 heures ou 1 fois l'an</b>									
Vérifier le circuit d'alimentation au niveau des fuites	<b>Avant et après toute activité de réparation ou d'entretien</b>									
Inspecter les courroies d'entraînement des accessoires		X		X		X		X		X
Inspecter le câblage du système électrique				X				X		
Inspecter toute la tuyauterie à dépression et les raccords				X				X		
<b>Section du liquide de refroidissement du moteur</b>										
Nettoyer les débris du radiateur	<b>Aux 100 heures ou aux 60 jours de fonctionnement</b>									
Changer le liquide de refroidissement - ethylene-glycol 50-50 à de l'eau distillée		X		X		X		X		X
Inspecter les boyaux du liquide de refroidissement		X				X				X
Remplacer les boyaux du liquide de refroidissement et la courroie d'entraînement des accessoires	<b>Aux 2 000 heures ou aux deux ans, le premier des deux prévalant</b>									
<b>Système d'allumage du moteur</b>										
Inspecter le boîtier de la batterie au niveau de fuites et de dommages		X		X		X		X		X
Inspecter les câbles de la batterie		X		X		X		X		X
Inspecter tous les verrouillages des connecteurs électriques		X		X		X		X		X
Remplacer les bougies d'allumage			X			X			X	
Inspecter le volant de synchronisation du capteur de la manivelle	<b>Aux 100 heures ou 1 fois l'an</b>									
Remplacer le chapeau du distributeur et le rotor				X				X		
Nettoyer la tour de bobine d'allumage secondaire		X		X		X		X		X
Vérifier le câblage des bougies d'allumage				X						
Remplacer le câblage des bougies d'allumage								X		
<b>Entretien du circuit d'alimentation</b>										
Inspecter le filtre à air	<b>Toutes les 200 heures (ou chaque 100 heures lors de conditions d'utilisation difficiles) et 1 fois l'an</b>									
Vérifier le fonctionnement de la soupape d'arrêt				X				X		
Remplacer le filtre de pétrole liquéfié en ligne		X		X		X		X		X
Remplacer le filtre de pétrole liquéfié en ligne				X				X		
Vérifier le système d'induction d'air				X				X		
Vérifier le collecteur d'admission					X					X
<b>Système d'échappement du moteur</b>										
Inspecter le collecteur d'échappement et la tuyauterie				X				X		

Español

es



## Dépannage

Problème	Cause	Solution
<b>Le moteur fonctionne, mais il n'y a aucune sortie de C.A.</b>	<ol style="list-style-type: none"> <li>1. Disjoncteur ouvert ou défectueux.</li> <li>2. Défaillance dans la génératrice.</li> <li>3. Raccords du câblage mal effectués ou commutateur de transfert défectueux.</li> </ol>	<ol style="list-style-type: none"> <li>1. Réarmez ou remplacez le disjoncteur.</li> <li>2. Contactez le centre d'entretien revendeur autorisé.</li> <li>3. Vérifiez et réparez.</li> </ol>
<b>Le moteur tourne bien sans charge mais connaît des ratés lorsque les charges sont branchées.</b>	<ol style="list-style-type: none"> <li>1. Court-circuit dans une des charges branchées.</li> <li>2. Surcharge de la génératrice.</li> <li>3. Court-circuit sur un circuit de la génératrice.</li> <li>4. La pression de combustible est incorrecte.</li> <li>5. Le mélange de combustible (NG) est incorrecte.</li> </ol>	<ol style="list-style-type: none"> <li>1. Débranchez la charge électrique ayant un court-circuit.</li> <li>2. Débranchez la charge électrique.</li> <li>3. Contactez le centre d'entretien revendeur autorisé.</li> <li>4. Consultez la section <i>Système de combustible gazeux</i> du guide d'installation.</li> <li>5. Consultez la section <i>Système de combustible gazeux</i> du guide d'installation.</li> </ol>
<b>Le moteur ne démarre pas, ou il démarre et a des ratés.</b>	<ol style="list-style-type: none"> <li>1. Fusible de 15 Ampères manquant ou grillé.</li> <li>2. Panne de combustible.</li> <li>3. Batterie défectueuse.</li> </ol>	<ol style="list-style-type: none"> <li>1. Installez un fusible (neuf) de 15 A.</li> <li>2. Ouvrez la(les) vanne(s) de combustible; vérifiez le réservoir de gaz propane.</li> <li>3. Remplacez la batterie.</li> </ol>
<b>Le moteur s'arrête lorsqu'il est en marche.</b>	<ol style="list-style-type: none"> <li>1. Panne de combustible.</li> <li>2. Le voyant de panne clignote.</li> </ol>	<ol style="list-style-type: none"> <li>1. Vérifiez les vannes de combustible; remplissez le réservoir de gaz propane.</li> <li>2. Comptez le nombre de clignotements et référez-vous à <i>Système de Détection des Pannes</i>.</li> </ol>
<b>Perte de puissance sur les circuits essentiels.</b>	<ol style="list-style-type: none"> <li>1. Disjoncteur ouvert sur la génératrice.</li> <li>2. Problèmes de commutateur de transfert.</li> </ol>	<ol style="list-style-type: none"> <li>1. Réarmez le disjoncteur.</li> <li>2. Voir le manuel du commutateur de transfert</li> </ol>

## Énoncé de garantie du dispositif antipollution des génératrices d'urgence de l'U.S. EPA et de Briggs & Stratton Corporation Vos droits et obligations relatifs à la garantie

Le 2010 septembre

### Généralités

L'U.S. EPA et Briggs & Stratton (B&S) sont heureux de vous expliquer la garantie couvrant le dispositif antipollution du modèle 2010 ou ultérieur de votre génératrice ou matériel. Aux États-Unis, les nouvelles génératrices d'urgence dont la puissance excède 25 HP doivent être conçues, construites et équipées de façon à respecter des normes d'émission rigoureuses. Ainsi, B&S doit garantir le dispositif antipollution de votre génératrice ou matériel. Consultez la définition de l'utilisation adéquate de la génératrice d'urgence ci-dessous.

La garantie liée au dispositif antipollution couvre toutes les pièces dont la défectuosité éventuelle augmenterait les émissions non reliées au système d'évaporation d'une génératrice de toute matière polluante réglementée citée en référence ci-dessous.

### Couverture de garantie du fabricant :

Briggs & Stratton garantit que la génératrice est exempte de tout défaut de matériel et de main-d'œuvre, et qu'elle est également conçue, construite et équipée de façon à respecter toutes les normes adoptées en vertu de l'article 213 de la Loi sur la qualité de l'air, et ce, dès la vente de la génératrice jusqu'à la fin de la période de garantie.

Cette garantie s'applique à toutes les pièces de la génératrice liées aux émissions dont la défectuosité éventuelle pourrait entraîner des émissions de gaz d'échappement non conformes à l'EPA. De plus, la présente garantie s'applique à d'autres pièces de la génératrice endommagées à la suite d'une défectuosité d'une pièce liée aux émissions.

Dans le cas où une pièce garantie liée aux émissions de la génératrice devenait défectueuse, B&S réparera ou remplacera ladite pièce sans aucuns frais, et ce, incluant le diagnostic, les pièces et la main-d'œuvre.

La période de couverture de la garantie est de deux ans à compter de la date d'achat initiale et est offerte au premier acheteur ainsi qu'à chaque acheteur subséquent tant que les Responsabilités de la garantie du propriétaire sont respectées.

### Responsabilités de la garantie du propriétaire

- Les réclamations au titre de la garantie doivent être présentées conformément aux dispositions de la politique de garantie de Briggs & Stratton.
- Une génératrice pourrait ne pas être couverte par la garantie en cas de défectuosité liée à des abus, à une mauvaise utilisation, à de la négligence, à un entretien inadéquat, à des modifications non approuvées, à des accidents non causés par les génératrices ou le matériel Briggs & Stratton ou à des catastrophes naturelles.
- Seules les génératrices utilisées comme génératrice d'urgence à moteur fixe, comme défini ci-dessous, sont couvertes par la garantie.
- Dès qu'un problème survient, vous avez la responsabilité de faire examiner votre génératrice ou matériel dans un centre de distribution B&S, un centre de services ou une entité équivalente, selon le cas. Les réparations couvertes par la garantie doivent être effectuées dans un délai raisonnable, n'excédant pas 30 jours. Si vous avez des questions au sujet de vos droits et responsabilités relatifs à la garantie, vous devez communiquer avec B&S au 1-800-233-3723 ou consulter le site BRIGGSandSTRATTON.COM.
- Si une pièce dont l'entretien n'est pas prévu doit être réparé ou remplacée en vertu de cette garantie, la nouvelle pièce sera garantie uniquement pour la période de garantie restante.
- Si une pièce garantie dont un entretien est prévu s'avère défectueuse avant son premier remplacement prévu, B&S réparera ou remplacera ladite pièce sans aucuns frais pour le propriétaire. Ces pièces ne sont garanties que pendant la période d'entretien prévue initialement.
- Les pièces ajoutées ou modifiées ne faisant pas partie d'une exemption de l'EPA ne doivent pas être utilisées. L'utilisation de toutes pièces ajoutées ou modifiées par le propriétaire qui ne font pas partie d'une exemption constituera un motif de refus de réclamation de garantie. Le fabricant n'a pas la responsabilité de garantir les défectuosités des pièces garanties causées par l'utilisation de pièces ajoutées ou modifiées qui ne font pas partie d'une exemption.

### L'urgence Définition de Moteur à l'arrêt

Une Urgence Moteur à l'arrêt est défini comme le moteur à combustion interne à l'arrêt dont l'opération est limitée aux situations d'urgence et à l'essai et à l'entretien exigé. Les exemples incluent des moteurs à l'arrêt qui sont utilisés produire le pouvoir pour les réseaux ou l'équipement critiques (y compris le pouvoir fourni aux portions d'une facilité) quand le pouvoir électrique de l'utilité locale (ou la source d'alimentation normale, si la facilité court sur sa propre production de pouvoir) est interrompu, ou les moteurs à l'arrêt qui sont utilisés pomper de l'eau dans le cas de feu ou l'inondation, etc. Les moteurs à l'arrêt ont utilisé pour le rasage de sommet ne sont pas considéré l'urgence moteurs à l'arrêt. Les moteurs à l'arrêt qui sont utilisés fournir le pouvoir à une grille électrique ou ce pouvoir de provision comme la partie d'un arrangement financier avec une autre entité n'est pas considérée être les moteurs d'urgence. L'urgence ICE à l'arrêt pourrait être fonctionnée dans le but des contrôles d'entretien et dans le but de l'essai d'empressement, à condition que les tests sont recommandés par Fédéral, l'Etat ou le gouvernement local, le fabricant, le vendeur, ou la compagnie d'assurances a associé avec le moteur. L'entretien vérifie et l'essai d'empressement de telles unités est limité à 100 heures par an. Il n'y a pas de limite de temps sur l'usage d'urgence moteurs à l'arrêt dans les situations d'urgence. Le propriétaire ou l'opérateur peut pétitionner l'Administrateur pour l'approbation d'heures supplémentaires être utilisé pour les contrôles d'entretien et l'essai d'empressement, mais une pétition n'est pas exigée si le propriétaire ou l'opérateur maintient des rapports qui indique que Fédéral, Déclarer, ou les normes locales exigent que l'entretien et essayant de ICE d'urgence au-delà de 100 heures par an. L'urgence ICE à l'arrêt peut fonctionner jusqu'à 50 heures par an dans les situations non-urgence, mais ces 50 heures sont comptées vers les 100 heures a pourvu par an à l'entretien et à l'essai. Les 50 heures par an pour les situations non-urgence ne peuvent pas être utilisées pour le rasage de sommet ou produire le revenu pour une facilité pour fournir le pouvoir à une grille électrique ou un autrement pouvoir de provision comme la partie d'un arrangement financier avec une autre entité. Pour les propriétaires et les opérateurs de moteurs d'urgence, n'importe quelle opération autrement que l'opération d'urgence, l'entretien et l'essai, et l'opération dans les situations non-urgence pour 50 heures par an, comme permis au-dessus d'est interdit.

Español

es

Form NO. 313540 Rev.-

25

## GARANTIE DU PROPRIÉTAIRE D'UNE GÉNÉRATRICE DE SECOURS DE BRIGGS & STRATTON POWER PRODUCTS GROUP, LLC

À compter du 1er septembre 2010, la présente garantie remplace toute garantie non datée et toute garantie dont la date est antérieure au 1er septembre 2010.

### GARANTIE LIMITÉE

Briggs & Stratton Power Products Group, LLC réparera ou remplacera, sans frais, toutes pièces d'équipement défectueuses comportant un vice de matériau ou un défaut de fabrication ou les deux. Les frais de déplacement sont remboursés tel que spécifié dans le document Directives reliées à la garantie de Briggs & Stratton, aux détaillants autorisés Briggs & Stratton pour les travaux de réparation applicables couvertes par la garantie. La présente garantie sera en vigueur aux conditions et durant les périodes stipulées ci-dessous. Pour obtenir des services en vertu de la garantie, veuillez consulter notre Outil de recherche d'un Service après-vente agréé au BRIGGSandSTRATTON.COM, afin de trouver un distributeur de service après-vente agréé dans votre région.

IL N'EXISTE AUCUNE AUTRE GARANTIE EXPRESSE. LES GARANTIES IMPLICITES, INCLUANT CELLES DE QUALITÉ MARCHANDE ET D'APTITUDE À UN USAGE PARTICULIER, SONT LIMITÉES À UN AN DE LA DATE D'ACHAT OU ENCORE JUSQU'À LA LIMITE PERMISE PAR LA LOI. TOUTE GARANTIE IMPLICITE EST EXCLUE. LA RESPONSABILITÉ POUR DOMMAGES ACCESSOIRES OU INDIRECTS EST EXCLUE DANS LA MESURE OÙ UNE TELLE EXCLUSION EST PERMISE PAR LA LOI. Certains états/provinces ou pays n'autorisent aucune restriction sur la durée d'une garantie implicite, et certains états/provinces ou pays n'autorisent pas l'exclusion ou la limitation des dommages consécutifs ou indirects. Par conséquent, les restrictions et exclusions décrites ci-dessus pourraient ne pas s'appliquer dans votre cas. La présente garantie vous accorde des droits légaux spécifiques et vous pourriez également en avoir d'autres, qui peuvent varier d'un état ou d'une province à l'autre et d'un pays à l'autre.

PÉRIODE DE GARANTIE	Le générateur	4 ans
	Le moteur	2 ans

La période de garantie débute à la date d'achat par le premier acheteur au détail ou par le premier utilisateur commercial final, et se prolonge pour la durée stipulée ci-dessus. « Usage à des fins de location » signifie toute utilisation de ce produit pour une application de location d'une installation temporaire ou semi-permanente. Aux fins de la présente garantie, dès qu'un équipement a été utilisé des fins de location une fois, il est par la suite considéré comme étant d'usage à des fins commerciales ou de location.

\*Pour les buts de cette garantie, le Pouvoir Primordial est défini où le générateur est une source de pouvoir où aucun pouvoir électrique est disponible de la GRILLE DE POUVOIR D'UTILITE. Si aucun pouvoir d'UTILITE est disponible, le générateur est considéré la source d'alimentation primordiale.

POUR EXERCER LA GARANTIE SUR TOUT PRODUIT FABRIQUÉ PAR BRIGGS & STRATTON, IL N'EST PAS NÉCESSAIRE DE L'ENREGISTRER. CONSERVEZ LE REÇU COMME PREUVE D'ACHAT. SI, LORS D'UNE RÉCLAMATION DE GARANTIE, VOUS NE POUVEZ PROUVER LA DATE DE L'ACHAT INITIAL, NOUS UTILISERONS LA DATE DE FABRICATION DU PRODUIT COMME DATE DE RÉFÉRENCE POUR DÉTERMINER LA PÉRIODE DE GARANTIE.

Si vous avez n'importe quelles questions quant à vos droits de garantie et les responsabilités, vous devriez contacter B&S à 1-800-233-3723 ou BRIGGSandSTRATTON.COM.

### FABRICANT DÉTENTEUR DE LICENCE

IMPCO est le détenteur de licence (Manufacturer of Record) de l'EPA (Environmental Protection Agency) pour toutes les questions de conformité liées à l'utilisation et à la performance du moteur. Pour obtenir plus de renseignements, veuillez vous reporter à la garantie sur les émissions (n° pièce 313540).

### À PROPOS DE LA GARANTIE

Nous acceptons de faire effectuer les réparations couvertes par la garantie et tenons à nous excuser pour tout inconvénient subi. Tout distributeur d'un service après-vente agréé peut exécuter les réparations couvertes par la garantie. La plupart des réparations couvertes par la garantie sont traitées systématiquement; cependant, il arrive parfois que les demandes de service en vertu de la garantie soient non fondées. Par exemple, la garantie ne couvre pas les dommages causés à l'équipement par une utilisation abusive, par un manque d'entretien périodique, durant l'expédition, la manutention ou l'entreposage, ou en raison d'une installation inadéquate. De même, la garantie sera annulée si la date de fabrication ou les numéros de série apposés à l'équipement ont été enlevés ou si l'équipement a été changé ou modifié. Durant la période de garantie, le distributeur de service après-vente agréé réparera ou remplacera, à son gré, toute pièce qui, après examen, est trouvée défectueuse à la suite d'une utilisation et d'un entretien normaux. La présente garantie ne couvre pas les réparations et les équipements suivants :

- **Usure normale** : Comme tout autre dispositif mécanique, les groupes électrogènes d'extérieur et les moteurs nécessitent l'entretien périodique de certaines pièces pour fonctionner adéquatement. La présente garantie ne couvre pas les frais de réparation des pièces ou des équipements dont la durée de vie utile a été dépassée à la suite d'une utilisation normale.
- **Installation et entretien** : La présente garantie ne couvre pas les équipements ou les pièces qui ont fait l'objet d'une installation ou de modifications et de changements inadéquats ou non autorisés, d'une mauvaise utilisation, de négligence, d'un accident, d'une surcharge, d'emballement, d'entretien inadéquat, de réparation ou d'entreposage qui, selon nous, auraient nui au rendement et à la fiabilité du produit.

Les modalités de la garantie se poursuivent à la page suivante.

## Exclusions supplémentaires

1. Pièces qui s'usent, telles les huiles à moteur, les jauges d'huile, les joints toriques, les filtres, les fusibles, les bougies, les antigels, les batteries de démarrage, etc., ou tout dommage ou tout mauvais fonctionnement résultant d'un accident, du gel, d'une utilisation abusive, de modifications, de changements, d'un entretien inadéquat du système ou d'une détérioration chimique.
2. Tous les coûts reliés aux réglages, aux attaches ou aux raccords desserrés ou non étanches, à l'installation ou au démarrage, au nettoyage du système de carburant et son obstruction (causée par l'accumulation de produits chimiques, de saletés, de calamine, de calcaire, etc.) et à toute défaillance causée par du combustible, de l'antigel et/ou des huiles contaminés.
3. Les appareils vendus pour les applications d'alimentation électrique principale comme le définissent les codes nationaux de l'électricité des États-Unis et du Canada, que l'alimentation de service soit présente ou que l'alimentation de service n'est habituellement pas présente.

« Usage à des fins de location » signifie toute utilisation de ce produit pour une application de location d'une installation temporaire ou semi-permanente. Aux fins de la présente garantie, dès qu'un équipement a été utilisé des fins de location une fois, il est par la suite considéré comme étant d'usage à des fins commerciales ou de location.

4. Tout équipement usé, remis à neuf ou de démonstration, équipement utilisé dans des applications mobiles ou de location, et tout équipement utilisé pour l'alimentation d'appareils de maintien des fonctions vitales.

\*Pour les buts de cette garantie, le Pouvoir Primordial est défini où le générateur est une source de pouvoir où aucun pouvoir électrique est disponible de la GRILLE DE POUVOIR D'UTILITE. Si aucun pouvoir d'UTILITE est disponible, le générateur est considéré la source d'alimentation primordiale.

5. Les blessures corporelles, incluant le décès, survenant à la suite de la défaillance du produit.
6. Le boîtier est garanti contre la rouille et la corrosion de surface pendant la première année de la période de garantie.  
La rouille et la corrosion de surface sont définies comme étant toute rouille ou corrosion qui a pénétré la peinture mais qui n'a pas pénétré la substructure de métal.  
Le boîtier est garanti contre la rouille pénétrante pendant les deux premières années de la période de garantie.  
La rouille pénétrante est définie comme étant toute rouille et corrosion qui a complètement pénétré la peinture et la substructure de métal.  
Le boîtier n'est pas garanti contre la rouille et la corrosion de surface ou la rouille pénétrante complète pouvant découler d'une mauvaise installation, de dommage aux surfaces peintes qui compromet les propriétés de prévention de la corrosion de la peinture ou si l'unité est installée dans des environnements qui exposent la génératrice à des niveaux élevés d'agents corrosifs.
7. Pièces accessoires.
8. Toute perte de revenus découlant directement ou indirectement de la défaillance de cet appareil.
9. Les défaillances attribuables à une force majeure ou externe indépendante de la volonté du fabricant ou à une catastrophe naturelle, notamment au gel, au vol, à un incendie, à une collision, à une émeute ou à une guerre, au vandalisme, à la foudre, à un tremblement de terre, à une tempête de vent, à de la grêle, à une éruption volcanique, à l'eau ou à une inondation, à une tornade ou à un ouragan, à des actes terroristes ou à un cataclysme nucléaire.
10. Tous dommages consécutifs ou indirects causés par des défauts de matériel et de fabrication ou tout délai pour la réparation ou le remplacement des pièces défectueuses.
11. Une défaillance attribuable à des applications inappropriées ou des représentations trompeuses.
12. Les dépenses liées au téléphone, au satellite, aux télécopies, au téléphone cellulaire, à l'accès Internet ou à d'autres communications.
13. Les dépenses de main-d'œuvre liées au travail en temps supplémentaire, pendant les jours fériés ou d'urgence.
14. Tout moyen de transport considéré anormal selon notre jugement, notamment les avions, traversiers, trains, autobus, hélicoptères, motoneiges, tank des neiges, véhicules tout-terrains, etc.
15. Toutes les dépenses encourues pour l'investigation de plaintes reliées au rendement à moins que le matériel ou la fabrication par Briggs & Stratton n'aient été la cause directe du problème.
16. Les frais d'expédition pour le jour suivant pour des pièces de remplacement.
17. Tout autre équipement de location utilisé alors que des réparations en vertu de la garantie sont effectuées (à savoir, génératrices, équipement de manutention, etc.). 313539F, Rev. -, 09/01/2010

**BRIGGS & STRATTON POWER PRODUCTS GROUP, LLC**  
**MILWAUKEE, WI, USA**

Español

es

## Groupe électrogène

### Caractéristiques du produit

#### 60 kW

<b>Charge nominale maximum à 25°C (77°F) - PL et GN</b>	
à 240 Volts	125 Ampères a 1.0pf
<b>Tension nominale C.A</b>	120/240 Volts
<b>Phase</b>	Tresphasé
<b>Fréuence nominale</b>	60 Hz
<b>Plage d'utilisation normale</b>	-28.8°C (-20°F) to 40°C (104°F)
<b>Niveau de bruit en sortie</b>	65 dB(A) at 7 m (23 ft.) à pleine charge
<b>Poids du système à l'expédition</b>	962 kg (2120 lb)

Series 60000*	Voltage	Rated Amps
3 Phase Wye	120/208	215
3 Phase Wye	139/240	186
3 Phase Delta	120/240	186
3 Phase Wye	240/416	108
3 Phase Wye	277/480	93
3 Phase Wye	346/600	73

Les caractéristiques nominales de cette génératrice sont conformes à la norme 2200 (génératrices à moteur fixe) de UL (Underwriters Laboratories) et à la norme C22.2 No. 100-04 (moteurs et génératrices) de l'ACNOR (Association canadienne de normalisation).

NOT  
for  
REPRODUCTION





**Generator Systems**

## Operator's Manual



**Sistema gerador de 60000 watts**



This generator is rated in accordance with UL (Underwriters Laboratories) 2200 (stationary engine generator assemblies) and CSA (Canadian Standards Association) standard C22.2 No. 100-4 (motors and generators).



Obrigado por comprar este gerador GE construído com qualidade. Estamos satisfeitos por você ter depositado sua confiança na marca GE. Quando operado e mantido de acordo com as instruções deste manual, seu gerador vai prestar muitos anos de serviço confiável.

Este manual contém informações de segurança para informá-lo sobre os perigos e riscos associados aos geradores, e como evitá-los. Como nós não necessariamente conhecemos todas as aplicações para as quais este equipamento pode ser usado, é importante que você leia e entenda estas instruções completamente antes de tentar ligar ou operar este equipamento. Guarde estas instruções para referências futuras.

Este gerador requer instalação profissional antes do uso. Consulte o manual de instalação em separado para obter informações completas. Seu instalador deve seguir as instruções rigorosamente.

## Onde nos encontrar

Nunca é preciso procurar muito para encontrar suporte e manutenção para seu gerador. Para receber atendimento rápido quando você mais precisar, preencha as informações abaixo e mantenha seu recibo original junto com este manual. Você pode contatar o Atendimento ao Cliente em 888-575-8226 entre 8:00 da manhã e 5:00 da tarde CT., ou clicar em SERVICE & SUPPORT em [www.standbygeneratorsystems.com](http://www.standbygeneratorsystems.com), que contém uma lista de representantes autorizados.

**Os números do modelo e de série do gerador e do motor devem ser registrados no manual de instalação.**

NOT  
for  
REPRODUCTION

# Índice

Regras de segurança .....	4
Instalação .....	7
Para o proprietário .....	7
Para o Representante/Instalador contratado .....	7
Orientação ao proprietário .....	8
Fatores do combustível .....	8
Local do gerador .....	9
Inspeção na entrega .....	9
Controles .....	10
Operação .....	14
Operação automática .....	14
Configurando o temporizador de exercício .....	15
Manutenção .....	16
Sistema de detecção de código de serviço .....	16
Manutenção do gerador .....	18
Óleo do motor .....	18
Óleos sintéticos .....	18
Recomendações sobre o óleo .....	19
Verificando o nível do óleo .....	19
Correias V do motor .....	20
Sistema de arrefecimento do motor .....	21
Filtro de ar do motor .....	21
Manutenção do sistema elétrico do gerador .....	22
Bateria .....	22
Inspeção e manutenção do sistema de combustível .....	23
Armazenamento .....	24
Solução de problemas .....	26
Garantia .....	28
Especificações do produto .....	30

## Instruções de Segurança Importantes

**GUARDE ESTAS INSTRUÇÕES** - Este manual contém instruções importantes que devem ser seguidas durante a instalação e manutenção do gerador e das baterias.

### Os símbolos de segurança e seus significados



Explosão



Fogo



Choque elétrico



Vapores tóxicos



Peças giratórias



Superfície quente



Partida automática



Pressão explosiva



Queimadura química



Correia/polia giratória



Lâmina de ventoinha giratória



Bateria explosiva



Perigo de levantamento



Ler manual

▲ O símbolo de alerta de segurança indica um potencial risco de lesão corporal. Uma palavra sinalizadora (PERIGO, ATENÇÃO, ou CUIDADO) é usada com o símbolo de alerta para designar o grau ou nível de gravidade do risco. Além disso, um símbolo de segurança pode ser usado para representar o tipo de risco. A palavra sinalizadora AVISO é usada para indicar práticas não relacionadas a lesões corporais.

▲ PERIGO indica um perigo que, se não evitado, resultará em morte ou ferimentos graves.

▲ ATENÇÃO indica um perigo que, se não evitado, poderá resultar em morte ou ferimentos graves.

▲ CUIDADO indica um perigo que, se não evitado, poderá resultar em ferimentos pequenos ou moderados.

AVISO indica práticas não relacionadas a lesões corporais.

O fabricante não tem possibilidade de prever cada circunstância possível que poderia resultar em risco. Os avisos deste manual, e as etiquetas e decalques afixados à unidade não abrangem portanto todos os casos. Se você executa um procedimento, método de trabalho ou técnica operacional que o fabricante especificamente não recomenda, você deve assegurar por sua própria conta e risco de que ele seja seguro para você e para os demais. Você também deve certificar-se de que o procedimento, método de trabalho ou técnica operacional que você escolher não torne o sistema do gerador inseguro.

▲ **ATENÇÃO** O funcionamento do motor libera monóxido de carbono, um gás tóxico inodoro e incolor.



Respirar monóxido de carbono pode causar a morte, graves prejuízos à saúde, dores de cabeça, fadiga, tonturas, vômitos, confusão mental, convulsões, náuseas ou desmaios.

- SÓ opere este produto ao ar livre em uma área que não acumula gases do escapamento mortais.
- Mantenha os gases do escapamento longe de quaisquer janelas, portas, entradas de ventilação, dutos de ventilação internos, espaços inferiores, portas de garagem abertas ou outras aberturas que possam permitir a entrada de gases do escapamento ou que eles sejam sugados para dentro de um edifício ou estrutura potencialmente ocupado.
- Detector(es) de monóxido de carbono DEVE(m) ser instalado(s) e mantido(s) em local fechado de acordo com as instruções/recomendações do fabricante. Alarmes de fumaça não detectam o gás monóxido de carbono.

▲ **ATENÇÃO** Os gases de exaustão do motor deste produto contêm produtos químicos reconhecidos pelo Estado da Califórnia como causadores de câncer, deformações fetais ou outros danos reprodutivos.

▲ **ATENÇÃO** Alguns componentes deste produto e de seus acessórios contêm produtos químicos conhecidos, no estado da Califórnia, como causadores de câncer, defeitos congênitos ou outros problemas no aparelho reprodutor. Lave as mãos depois de manusear.

▲ **ATENÇÃO** As baterias guardadas liberam gás hidrogênio explosivo durante a recarga.



A menor faísca causa ignição do hidrogênio e explosão, resultando em morte ou ferimentos graves.

O eletrólito da bateria contém ácido e é

extremamente cáustico.

O contato com o conteúdo da bateria pode causar queimaduras químicas graves.

Baterias representam risco de choque elétrico e alta corrente em caso de curto-circuito.

- NÃO descarte a bateria em incineradores. Recicle a bateria.
- NÃO deixe nenhuma chama aberta, faísca, calor ou cigarro aceso perto da bateria durante alguns minutos após carregá-la.
- NÃO abra ou mutile a bateria.
- Use óculos de proteção, avental de borracha, calças e luvas de borracha.
- Remova relógios, anéis e outros objetos de metal.
- Use ferramentas com cabo isolado.

**⚠ ATENÇÃO** O propano e o gás natural são extremamente inflamáveis e explosivos, e podem causar queimaduras, incêndio ou explosão resultando em morte ou ferimentos graves.



- Instale o sistema de abastecimento de combustível de acordo com a norma NFPA 37 e outros códigos de gás combustível aplicáveis.
- Antes de colocar o gerador em serviço, as linhas do sistema de combustível devem ser corretamente purgadas e testadas para ver se há vazamentos.
- Depois que o gerador for instalado, inspecione o sistema de combustível periodicamente.
- NENHUM vazamento é permitido.
- NÃO opere motor se houver cheiro de combustível presente, ou se outras condições explosivas existirem.
- NÃO fume perto do gerador. Limpe imediatamente qualquer óleo derramado. Certifique-se de que nenhum material combustível seja deixado no compartimento do gerador. Mantenha a área perto do gerador limpa e livre de resíduos.

**⚠ ATENÇÃO** Peças móveis podem esmagar e cortar.



O mecanismo de partida ou outras peças giratórias podem prender suas mãos, cabelos, roupas ou adornos, o que pode causar ferimentos graves.

- NUNCA opere gerador sem as carcaças, tampas ou protetores em sua posição.
- NÃO use roupas largas, joias ou qualquer coisa que possa ser aprisionada no motor de partida ou em peças rotativas.
- Se tiver cabelo longo ou usar jóias, prenda o cabelo e retire as jóias.
- Antes da manutenção, remova o fusível de 15 ampères do painel de controle e desconecte o cabo Negativo (NEG ou -) da bateria.

**⚠ ATENÇÃO** O gerador produz tensão perigosa.



Deixar de aterrar corretamente o gerador pode resultar em eletrocussão.

Deixar de isolar o gerador da energia da rede pública pode resultar em morte ou ferimentos graves em trabalhadores da rede pública devido ao refluxo de energia elétrica.

- NÃO toque fios ou receptáculos desencapados.
- Não use o gerador com cabos elétricos desgastados, desfiados, desencapados ou danificados de qualquer outra forma.
- NÃO toque no gerador ou em cabos elétricos enquanto estiver na água, descalço ou com as mãos ou os pés molhados.
- Se precisar trabalhar perto de uma unidade enquanto ela estiver operando, pise em uma superfície seca e isolada para reduzir o risco de choque.
- NÃO permita que pessoas não qualificadas ou crianças operem ou façam a manutenção do gerador.
- Em caso de acidente causado por choque elétrico, desconecte imediatamente a fonte de energia elétrica e contate as autoridades locais. Evite contato direto com a vítima.
- Apesar do projeto seguro do gerador, operar este equipamento de forma imprudente, negligenciar sua manutenção ou ser descuidado pode causar ferimentos ou morte.
- Permaneça sempre alerta ao trabalhar neste equipamento. Nunca trabalhe no equipamento quando estiver física ou mentalmente cansado.
- Antes de executar qualquer manutenção no gerador, primeiro desconecte o cabo da bateria indicado por NEGATIVO, NEG ou (-). Quando terminar, reconecte este cabo por último.
- Depois que seu sistema estiver instalado, o gerador pode ser acionado e dar a partida sem aviso prévio sempre que houver uma queda de tensão da rede. Para evitar possíveis ferimentos, sempre deixe o interruptor do sistema do gerador em OFF, abra o desconector de serviço E remova o fusível de 15 ampères ANTES de trabalhar no equipamento.

**▲ ATENÇÃO** O calor/gases do escapamento pode incendiar combustíveis ou estruturas, resultando em morte ou ferimentos graves.



O contato com a área do silenciador pode causar queimaduras, resultando em ferimentos graves.

- NÃO toque nas peças aquecidas e EVITE os gases quentes do escapamento.
- Deixe o equipamento esfriar antes de tocá-lo.
- A saída do escapamento no lado do gabinete resistente às intempéries deve ter pelo menos 5 pés (1,5m) de vão livre mínimo de qualquer estrutura, arbustos, árvores ou qualquer tipo de vegetação.
- O gabinete resistente às intempéries do gerador auxiliar deve estar a pelo menos 5 pés (1,5m) de janelas, portas, qualquer abertura da parede, arbustos ou vegetação com mais de 12 polegadas (30,5 cm) de altura.
- O gabinete resistente às intempéries do gerador auxiliar deve ter um vão livre mínimo de 5 pés (1,5 m) acima de qualquer estrutura, parapeito ou árvores.
- NÃO posicione o gabinete resistente às intempéries sob pisos, cobertas ou outro tipo de estrutura que possa limitar o fluxo de ar.
- Só use a linha de combustível flexível fornecida. Conecte a linha de combustível fornecida ao gerador. NÃO o use com qualquer outra linha de combustível flexível nem a substitua.
- Detector(es) de fumaça deve(m) ser instalado(s) e mantido(s) em local fechado de acordo com as instruções/recomendações do fabricante. Alarmes de monóxido de carbono não detectam fumaça.
- Mantenha as distâncias mínimas mostradas nas Diretrizes Gerais de Localização para assegurar o resfriamento correto do gerador e as áreas livres para manutenção.
- As peças de reposição deverão ser iguais e instaladas na mesma posição que as peças originais.

**▲ ATENÇÃO** O líquido de arrefecimento pressurizado e quente pode causar ferimentos graves.



- NÃO abra a tampa do radiador quando quente.
- Antes da manutenção, deixe o líquido de arrefecimento esfriar.

**▲ CUIDADO** A instalação do fusível de 15A pode fazer o motor dar partida a qualquer momento sem aviso prévio, resultando em ferimentos leves ou moderados.



- Observe que o fusível de 15 ampères foi removido do painel de controle para o transporte.
- NÃO instale este fusível até todo o encanamento e fiação serem completados e inspecionados.

**▲ CUIDADO** A operação em rotações excessivamente altas pode causar ferimentos leves e/ou danos ao equipamento. A operação em rotações excessivamente baixas provoca sobrecargas no gerador.

- NÃO altere a rotação controlada. O gerador fornece uma frequência e tensão corretamente classificadas ao funcionar na rotação controlada.
- NÃO modifique gerador de forma alguma.

**AVISO** Ultrapassar a potência em watts / capacidade de amperagem do gerador pode danificar o gerador e/ou os dispositivos elétricos conectados a ele.

- Dê a partida no gerador e deixe o motor se estabilizar antes de conectar cargas elétricas.

**AVISO** O tratamento incorreto do gerador pode danificá-lo e reduzir sua vida útil.

- Só use o gerador para a finalidade a que ele se destina.
- Se você tiver dúvidas sobre sua finalidade, contate seu representante autorizado.
- Só opere o gerador em uma superfície plana.
- Um fluxo adequado e desobstruído de ar para resfriamento e ventilação é essencial para a correta operação do gerador.
- O painel/porta de acesso deve ser instalado sempre que a unidade estiver funcionando.
- NÃO exponha o gerador a excesso de umidade, pó, sujeira ou vapores corrosivos.
- Permaneça sempre alerta ao trabalhar neste equipamento. Nunca trabalhe no equipamento quando estiver física ou mentalmente cansado.
- NÃO ligue o motor com o filtro de ar ou com a tampa do filtro de ar retirados.
- NÃO insira nenhum objeto nas aberturas de resfriamento.
- NÃO use o gerador ou quaisquer de suas peças como degrau. Pisar na unidade pode causar tensão e quebra das peças. Isso pode resultar em condições operacionais perigosas de vazamento de gases do escapamento, vazamento de combustível, vazamento de óleo etc.
- Se os dispositivos conectados superaquecerem, desligue-os e desconecte-os do gerador.
- Desligue o gerador se:
  - a saída de energia elétrica for perdida;
  - se o equipamento emitir fagulhas, fumaça ou chamas;
  - se a unidade vibrar excessivamente.
  - se a unidade emitir ruídos incomuns.

## Instalação

Nós apreciamos sinceramente sua colaboração. Por isso, envidamos todos os esforços para garantir uma instalação segura, simples e econômica. Como cada instalação é individual, é impossível saber e recomendar o uso de todos os procedimentos e métodos concebíveis pelos quais instalação pode ser realizada. Também não podemos conhecer todos os possíveis riscos e/ou resultados de cada método ou procedimento. Por estas razões,

Só profissionais autorizados em elétrica e tubulação devem tentar fazer instalações de sistemas geradores. As instalações devem atender estritamente todos os códigos, padrões da indústria e regulamentos aplicáveis.

Seu gerador é fornecido com este “Manual do Operador” e um “Manual de Instalação” separado. Estes são documentos importantes e devem ser retidos pelo proprietário depois que a instalação for completada.

This product is only for use as an optional generator system which provides an alternate source of electric power and to serve loads such as heating, refrigeration systems, and communication systems that, when stopped during any power outage, could cause discomfort or inconvenience.

AVISO Este producto NO pertenece a la categoría de reserva de emergencia o sistema de reserva requerido por ley, según lo definido en la norma NFPA 70 (NEC).

- Los sistemas de generador de emergencia están pensados para suministrar, de manera automática, iluminación, alimentación (o ambos) en áreas designadas y equipo en caso de un fallo en el suministro normal. Los sistemas de emergencia también pueden suministrar alimentación eléctrica para funciones tales como ventilación, en los casos en los que es esencial para sostener vida, cuando una interrupción del suministro de corriente normal produciría graves peligros para la seguridad o daños a la salud.
- Los sistemas de generador de reserva requeridos por ley están previstos para suministrar alimentación de manera automática a determinadas cargas en caso de fallo en la fuente normal, lo que podría poner en peligro u obstaculizar el rescate u operaciones para apagar incendios.

Por tanto, **la instalación del sistema de generador sólo puede ser llevada a cabo por un electricista y un fontanero con licencia vigente.**

El generador incluye este “Manual del operario” y un “Manual de instalación” separado. Estos son dos documentos muy importantes que el propietario debe conservar una vez finalizada la instalación.

## Para o proprietário

Para ajudá-lo a fazer escolhas bem informadas e se comunicar efetivamente com seu(s) instalador(es) contratado(s).

Leia e entenda a Orientação ao proprietário neste manual antes de contratar ou iniciar a instalação de seu gerador.

Para uma instalação apropriada, contate a loja onde você comprou seu gerador, seu representante, um electricista autorizado ou sua rede pública de fornecimento de energia.

A garantia do gerador é NULA a menos que o sistema seja instalado por profissionais autorizados em elétrica e tubulação.

Todos os esforços foram feitos para garantir que as informações contidas neste documento sejam precisas e atuais. Porém, nos reservamos o direito de mudar, alterar, ou de outra forma melhorar o produto e este documento a qualquer momento e sem aviso prévio.

O Sistema de Controle de Emissões deste gerador é garantido pelas normas definidas pela U.S. Environmental Protection Agency e pelo California Air Resources Board (CARB).

## Para o Representante/Instalador contratado

Para a maioria das aplicações, o manual de Instalação contém todas as informações necessárias para instalar corretamente e dar partida no gerador. Este Manual do Operador descreve a operação de rotina e os procedimentos de manutenção pelo proprietário.

Se precisar de mais informações sobre este assunto, ligue para 888 575-8226 entre 8:00 da manhã e 5:00 da tarde CT.

## Orientação ao proprietário

Esta seção fornece aos proprietários do gerador as informações necessárias para uma instalação a mais satisfatória e econômica possível.

As ilustrações são de circunstâncias típicas e são destinadas a familiarizá-lo com as opções de instalação disponíveis para o seu gerador. Um entendimento completo destas opções permite um controle fundamental do custo de sua instalação, e também garante sua satisfação final e segurança.

Códigos federais e municipais, aspecto, níveis de ruído, tipos de combustível e distâncias são os fatores que devem ser considerados ao negociar com um profissional de instalação. Lembre-se que na medida em que aumenta a distância dos serviços elétricos e de abastecimento de gás combustível existente, e em que aumenta o número de dobras a 90 grau nas linhas de abastecimento de combustível, devem ser feitas compensações nos materiais da tubulação e da fiação. Isto é necessário para atender os códigos locais e evitar quedas da tensão elétrica e da pressão de gás combustível.

Os fatores mencionados acima exercerão um efeito direto sobre o preço total da instalação de seu gerador.

Em algumas áreas pode ser preciso obter licenças para instalar o sistema elétrico do gerador, alvarás de construção para instalar linhas de gás, e permissões para a emissão de ruídos. Seu instalador deve verificar os códigos locais e obter as licenças antes de instalar o sistema.

Português

pt




## Fatores do combustível

Uma consideração importante que afeta a instalação inteira é o tipo de combustível usado pelo gerador. O sistema é testado de fábrica e regulado para usar gás natural ou propano líquido (vapor de GLP). Para o funcionamento correto do motor, fatores que são inerentes a cada um destes combustíveis, seu local e a duração de possíveis interrupções do fornecimento de energia elétrica da rede são considerações importantes para as seguintes diretrizes de utilização do combustível:

- Utilize combustível limpo e seco, livre de umidade ou qualquer material particulado. Usar combustíveis fora dos valores recomendados a seguir pode causar problemas de desempenho.
- Em motores preparados para rodar com propano (GLP), use propano HD5 de gradação comercial com uma energia de combustível mínima de 2500 BTUs/pé<sup>3</sup> com conteúdo máximo de propileno de 5%, conteúdo de butano e gases mais pesados de 2,5%, e um conteúdo mínimo de propano de 90%.

A classificação do gás natural depende do combustível específico, mas as reduções típicas ficam entre 10 a 20% abaixo da classificação do gás GLP.

 **ATENÇÃO** O propano e o gás natural são extremamente inflamáveis e explosivos, e podem causar queimaduras, incêndio ou explosão resultando em morte ou ferimentos graves.

- O gerador residencial é equipado com uma válvula de segurança de corte automático do gás combustível.
- NÃO opere o equipamento se não houver a válvula “de fechamento do combustível” ou caso a mesma esteja inoperante.

## Redução de potência a grandes altitudes ou alta temperatura

A densidade do ar é menor a grandes altitudes, resultando em menor potência do motor disponível. Especificamente, a potência do motor será reduzida em 3,5% a cada 300 metros (1.000 pés) acima do nível do mar, e em 1% a cada 10° F (5,6°C) acima de uma temperatura de 77°F (25°C) Certifique-se de que você e seu instalador levem em consideração estes fatores ao determinar a carga total do gerador.

## Inspeção na entrega

Inspeccione cuidadosamente o gerador para ver se há qualquer dano que possa ter ocorrido durante a remessa.

Se alguma perda ou dano for observada no momento da entrega, peça ao entregador para registrar todos os danos no conhecimento de embarque e colocar sua assinatura abaixo do memorando de perda ou dano do consignador. Se a perda ou dano for observada após a entrega, separe os materiais danificados e contate o transportador e seu instalador para os procedimentos de reivindicação. Peças faltando ou danificadas não são garantidas.

### O sistema do gerador é fornecido com:

- Sistema de arrefecimento totalmente equipado.
- Sistema de óleo/lubrificação totalmente equipado.
- Conector de combustível flexível.
- Manual de instalação e inicialização.
- Manual do operador.
- Chaves de reserva da porta de acesso.
- Fusível sobressalente tipo ATO de 15 ampères.
- Conector de dez pinos do painel de controle.
- Tinta para retoques.

### A ser fornecido pelo instalador:

- Bateria de partida.
- Bloco de apoio de concreto reforçado.
- Fio de conexão e conduíte.
- Válvulas/tubulação de abastecimento de combustível.
- Ferramentas/equipamentos especiais diversos.

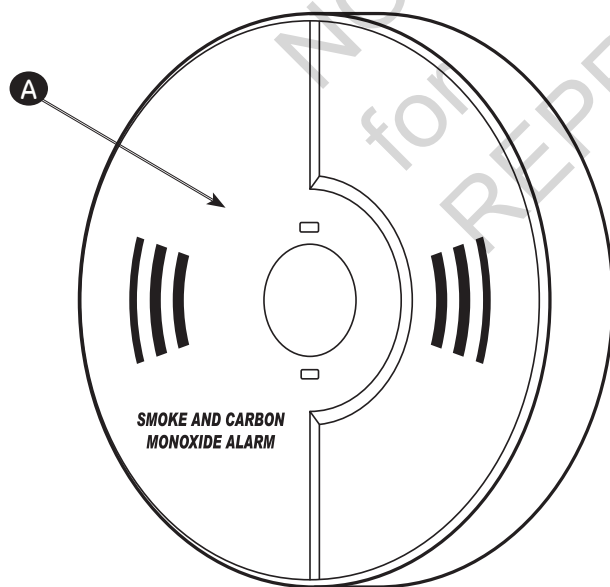
## Ubicación del generador

La ubicación física real de su generador de respaldo tiene un efecto directo en:

1. La magnitud de las conexiones necesarias para entregar combustible al generador.
2. La cantidad de cableado requerido para controlar y conectar su generador.

En el manual de instalación se analizan las pautas específicas para la ubicación. Familiarícese con esa información y consulte al instalador. Asegúrese de consultar de qué manera el predio o sitio podría afectar los costos de instalación y el cumplimiento de las normas y los códigos locales.

- Instale el generador a la intemperie en una zona en donde no se acumulen gases de escape mortales.
- NO instale el generador en lugares en los que los gases de escape se puedan acumular o entrar a un edificio o estructura que pueda estar habitado.
- En muchos estados, por ley, es necesario que en los hogares se cuente con un detector de monóxido de carbono (CO) en buenas condiciones de funcionamiento. Instale y dé mantenimiento a los detectores de CO bajo techo **A** de acuerdo con las instrucciones/recomendaciones del fabricante. El monitor de CO es un dispositivo electrónico que detecta niveles peligrosos de CO. Cuando hay acumulación de CO, el monitor alerta a los ocupantes con una luz centellante y una alarma. Las alarmas de humo no pueden detectar el gas CO.



**⚠ ADVERTENCIA** Los motores en funcionamiento emiten monóxido de carbono, un gas tóxico, inodoro e incoloro. La inhalación de monóxido de carbono puede provocar lesiones graves, dolor de cabeza, fatiga, mareos, vómitos, confusión, convulsiones, náuseas, desmayos o incluso la muerte.

- Haga funcionar este producto ÚNICAMENTE a la intemperie en una zona en donde no se acumulen gases de escape mortales.
- Evite que los gases de escape entren por ventanas, puertas, tomas de aire de ventilación, ventilaciones en plafones, entresuelos, puertas de garaje abiertas u otras aberturas que permitan que entre o se arrastre dentro de un edificio o estructura que pueda estar habitado.
- Los detectores del monóxido de carbono deben ser instalados y deben ser mantenidos dentro según las instrucciones del fabricante recomendaciones. Los detectores de humo no pueden discernir gas de monóxido de carbono.

**⚠ ADVERTENCIA** Los gases/calor del escape podría encender combustibles o estructuras y provocar daños materiales, lesiones graves y/o la muerte.

- NO coloque el lado opuesto del escape de la caja a prueba de intemperie a menos de 45,7 cm (18 pulgadas) de cualquier estructura.
- En el lado de salida del escape de la caja a prueba de intemperie debe haber lo menos 1,5 m (5 pies) libres de cualquier estructura, arbusto, árbol o cualquier tipo de vegetación.
- La caja a prueba de intemperie del generador de reserva debe estar por lo menos a 1,5 m (5 pies) de las ventanas, puertas, de cualquier abertura en la pared, arbusto o vegetación que tenga más de 30,5 cm (12 pulgadas) de alto.
- La caja a prueba de intemperie del generador de reserva debe tener un espacio libre mínimo de 1,2 m (4 pies) por arriba respecto a cualquier estructura, saliente o árbol.
- NO coloque la caja a prueba de intemperie bajo una plataforma u otro tipo de estructura que pueda limitar el flujo de aire.
- UTILICE SOLAMENTE el tubo de combustible flexible de acero que se le proporcionó. Conecte al generador el tubo de combustible que se le proporcionó; NO utilice otro tubo de combustible flexible ni lo sustituya.
- Los detectores de humo deben ser instalados y deben ser mantenidos dentro según las instrucciones del fabricante recomendaciones. Las alarmas del monóxido de carbono no pueden discernir el humo.
- NO coloque la caja a prueba de intemperie en ninguna otra posición que no sea la que se indica.

- Asegúrese de que los gases de escape no entren por ventanas, puertas, tomas de aire de ventilación, ventilaciones en plafones, entresuelos, puertas de garaje abiertas u otras aberturas que permitan que entre o se arrastre dentro de un edificio o estructura que pueda estar habitado. Los vecinos puede quedar expuesta a los gases de escape del motor de su generador de reserva; esta situación debe tomarla en cuenta al instalar su generador de reserva.

En el manual de instalación se analizan las pautas específicas para la ubicación.

Português

pt

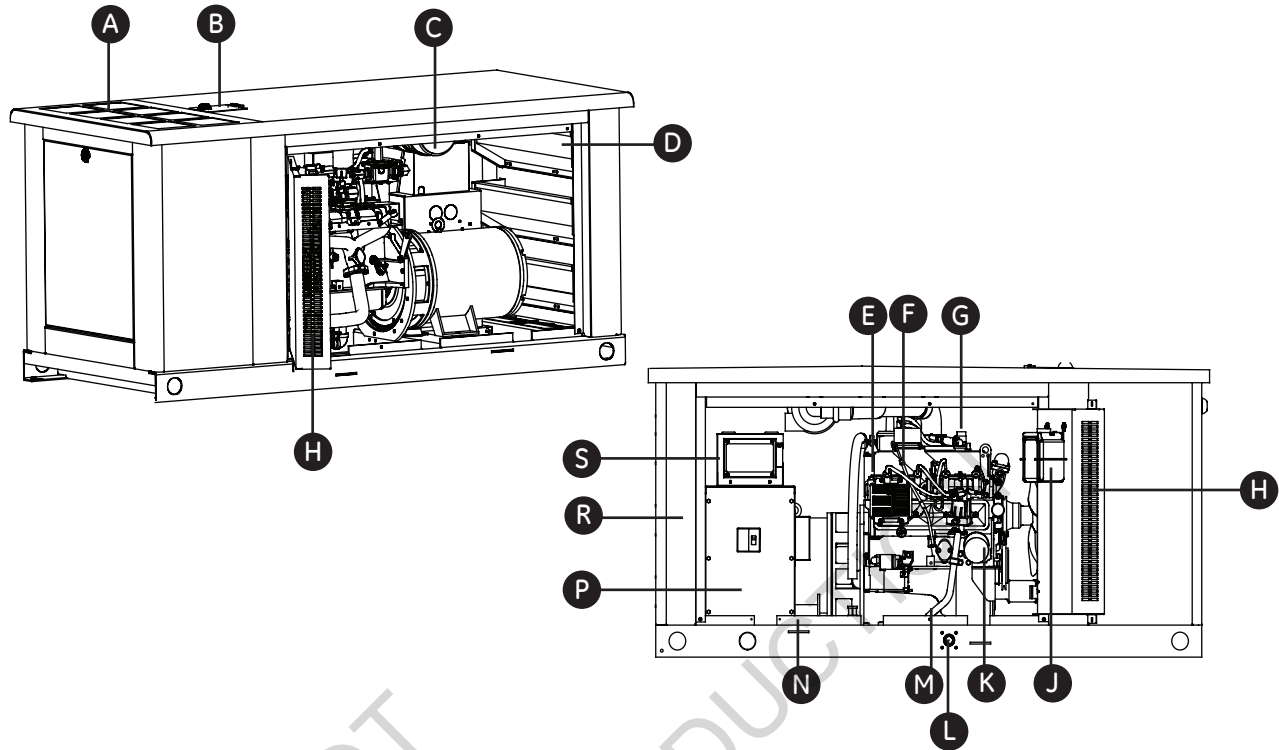
# Controles

## Gerador de 60 kW



Leia este manual do operador e as Instruções de Segurança Importantes antes de operar seu gerador.

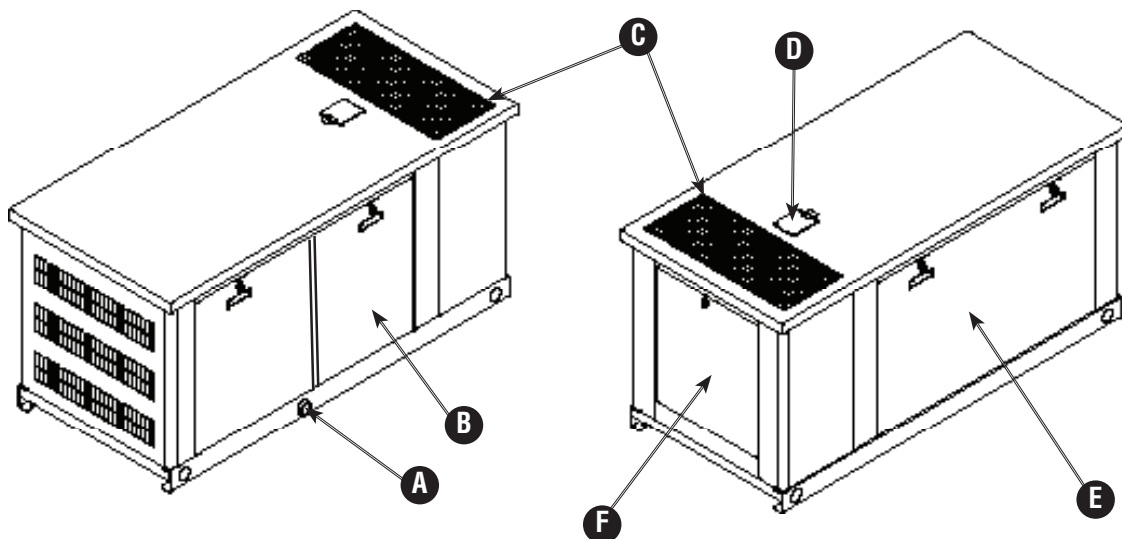
Compare as ilustrações deste modelo com o seu gerador para se familiarizar com a localização dos diversos controles e ajustes. Guarde este manual para futuras consultas.



O gerador é ilustrado com as portas de acesso removidas e a tela de proteção aberta para maior clareza.

- A - Saída de Escapamento** — O silenciador de alto desempenho reduz o nível de ruído do motor para atender a maioria dos códigos residenciais.
- B - Entrada de abastecimento de líquido de arrefecimento** — Permite acesso para completar o nível do líquido de arrefecimento do motor.
- C - Filtro de ar** — Protege o motor filtrando pó e resíduos do ar de admissão.
- D - Abertura da porta da bateria** — Permite o acesso à bateria de partida e ao filtro de ar.
- E - Etiqueta do motor** — Identifica o modelo e o tipo do motor.
- F - Vareta do óleo** — Usada para verificar o nível de óleo do motor.
- G - Tampa de abastecimento de óleo** — Remova para abastecer o motor com o óleo recomendado.
- H - Tela de proteção** — Evita que os dedos toquem a ventoinha do radiador e abriga a garrafa de recuperação de líquido de arrefecimento. Deve ficar fechada enquanto gerador estiver em uso.

- J - Garrafa de recuperação de líquido de arrefecimento** — Situada dentro da tela de proteção. Fornece uma indicação visual do nível do líquido de arrefecimento do motor.
- K - Filtro de óleo** — Filtra o óleo do motor para prolongar a vida útil do sistema.
- L - Entrada de combustível** — O abastecimento de combustível é conectado aqui.
- M - Mangueira do dreno de óleo** — Para facilitar a troca de óleo.
- N - Plaqueta de identificação (situada na base)** — Identifica a unidade pelo número de série.
- P - Carcaça do disjuntor** — Equipada com fundo removível para ajudar na conexão do condúite.
- R - Abertura da porta do painel de controle** — Permite o acesso ao painel de controle, filtro de óleo etc.
- S - Painel de controle** — Usado para diversas funções de teste, operação e manutenção. Consulte Painel de controle do sistema.



O gerador é equipado com um gabinete que tem várias portas de acesso. As portas são identificadas conforme o componente relevante localizado atrás delas, da seguinte maneira:

- A - Porta de entrada de combustível (mostrada para referência).
- B - Porta do painel de controle (podem ser duas portas).
- C - Abertura do escapamento (mostrada para referência).
- D - Porta de abastecimento do líquido de arrefecimento.
- E - Porta da bateria.
- F - Porta do silenciador.

O gabinete também inclui os painéis de acesso ao silenciador e radiador, usados para limpar esses componentes. Todos os painéis devem permanecer fechados em todos os outros momentos para assegurar resfriamento apropriado, reduzir o ruído, e para maior segurança.

NOTA: As portas mostradas na imagem podem ser diferentes das de sua unidade.

Cada gerador é equipado com um jogo de chaves idênticas. Estas chaves abrem as fechaduras que fecham as portas de acesso.

Para abrir a porta de acesso:

1. Insira a chave na fechadura da maçaneta da porta de acesso e gire-a um quarto de volta no sentido anti-horário.
2. Segure a maçaneta da porta e gire-a um quarto de volta no sentido anti-horário para abrir. Remova a chave.
3. A porta de abastecimento do líquido de arrefecimento é destrancada da mesma maneira. Ela pode ser usada para completar o nível do líquido de arrefecimento ou de óleo.

Para fechar a porta de acesso:

1. Feche a porta e gire a maçaneta da porta um quarto de volta no sentido horário.
2. Insira a chave na fechadura da maçaneta da porta e gire-a um quarto de volta no sentido horário. Remova a chave.

Força adicional pode ser necessária para fechar completamente e trancar as portas, porque elas criam uma vedação pressurizada do gabinete do gerador.

**⚠ ATENÇÃO** O contato com a área do silenciador pode causar queimaduras, resultando em ferimentos graves.



- NÃO toque nas peças aquecidas e EVITE os gases quentes do escapamento.
- Deixe o equipamento esfriar antes de tocá-lo..

Português

pt

## Operação

### Importantes considerações do proprietário

**AVISO** Qualquer tentativa de acionar ou dar a partida no motor antes de ter sido abastecido corretamente com o óleo recomendado resultará na falha do equipamento.

- Consulte a seção Manutenção para obter informações sobre o abastecimento de líquido de arrefecimento e óleo.
- Os danos no equipamento resultantes da não observação desta instrução invalidam a garantia do motor e do gerador.

### Óleo do motor

O motor sai da fábrica pré-testado e abastecido com óleo não sintético (API SL 10W-30). Isso permite a operação do sistema em uma ampla faixa de temperaturas e condições climáticas. Antes de dar partida no motor, verifique o nível de óleo e certifique-se de que o motor tenha recebido manutenção como descrito na seção Manutenção.

### Sistema de arrefecimento

Este motor sai da fábrica abastecido com uma mistura 50-50 de anticongelante automotivo (etilenoglicol) e água. Isto garante ótima proteção durante o ano todo contra congelamento, superaquecimento e corrosão. O sistema de arrefecimento inclui um aquecedor de água opcional que opera com um termostato fixo regulado para 100°F - 120°F (39°C - 49°C) E a energia da rede pública está presente no interruptor de transferência. Antes de dar partida no motor, verifique o nível do líquido de arrefecimento como descrito na seção Manutenção.

### Bateria

**⚠ ATENÇÃO** Os pólos da bateria, terminais e outros acessórios relacionados contêm chumbo e compostos de chumbo – produtos químicos conhecidos no estado da Califórnia como causadores de câncer e danos ao aparelho reprodutor. Lave as mãos depois de manusear.

O instalador deve fornecer uma bateria de partida de 12 volts CC recarregável e controlada por válvula. Consulte Bateria em Considerações Finais sobre a Instalação no manual de instalação.

Com a bateria instalada, toda a instalação elétrica para o interruptor de transferência e gerador completada, o fornecimento de energia da rede pública conectado ao interruptor de transferência automático, e a unidade no modo AUTO, a bateria recebe uma pequena carga enquanto o motor não estiver funcionando. Esta pequena carga não pode ser usada para recarregar uma bateria totalmente descarregada.

### Fusível de 15 ampères

O fusível de 15 ampères do gerador é essencial para a correta operação do sistema. Seu instalador deve assegurar que o fusível seja instalado corretamente na conclusão da instalação.

## Operação automática

O painel de controle do gerador monitora constantemente a tensão da rede pública. Se a tensão da rede pública cair abaixo de um nível predefinido, o painel de controle envia um sinal que dá partida no motor.

Quando a tensão da rede pública é restabelecida acima de um nível predefinido, o painel de controle envia um sinal que desliga o motor.

A operação real do sistema não é ajustável, e é sequenciada por sensores e temporizadores no painel de controle da seguinte maneira :

### Sensor de queda de tensão da rede pública

- Este sensor monitora a tensão da rede pública.
- Se tensão da rede pública cair abaixo de aproximadamente 70 por cento da tensão nominal, o sensor energiza um temporizador de 3 segundos. O temporizador é usado para 'detectar' oscilações de tensão.
- Assim que o temporizador expirar, será dada partida no motor.

### Sensor de retomada de tensão da rede pública

Este sensor monitora a tensão da rede pública. Quando tensão da rede pública é restabelecida acima de 80 por cento da tensão nominal, um retardo de tempo começa a ser contado e o motor entra na fase de resfriamento.

### Temporizador de resfriamento do motor

Quando o fornecimento de energia da rede pública é detectado e a carga é transferida de volta para a rede pública, o motor entra em um período de resfriamento como descrito abaixo:

- Se o gerador tiver funcionado durante MAIS de 5 minutos, assim que a transferência da rede pública for feita o motor continuará funcionando durante aproximadamente 1 minuto antes de ser desligado.
- Se o gerador tiver funcionado durante MENOS de 5 minutos, assim que a transferência da rede pública for feita o motor continuará funcionando até 5 minutos terem transcorrido antes de ser desligado.



## Configurando o temporizador de exercício

Recomendamos ligar o gerador para um ciclo de exercício uma vez a cada sete dias. Durante este período de exercício, a unidade funciona durante aproximadamente 20 minutos e então é desligada.

Consulte o Guia de aplicação do painel de controle fornecido com este gerador para obter informações mais detalhadas sobre o temporizador de exercício.

OU, consulte o Guia de aplicação do interruptor de transferência automática para obter informações mais detalhadas sobre o temporizador de exercício.

## Manutenção

### Manutenção do sistema

Antes de executar qualquer manutenção no gerador, sempre execute as seguintes etapas:

1. Coloque o disjuntor do gerador na posição OFF.
2. Pressione e mantenha pressionado o botão OFF do painel de controle.
3. Remova o fusível de 15 ampères do painel de controle.
4. Tensões da rede pública estão presentes no painel de controle do gerador. Desconecte a energia antes de realizar serviços no painel de controle, removendo os fusíveis do interruptor de transferência.
5. Após completar o serviço, reinstale os fusíveis no interruptor de transferência, o fusível de 15 ampères no painel de controle, rearme o disjuntor ON e pressione e mantenha pressionado o botão AUTO do painel de controle.

### Sistema de detecção do alarme de desligamento

O gerador pode ter que funcionar durante longos períodos de tempo sem a presença do operador. Por isso, o sistema é equipado com sensores que desligam automaticamente o gerador caso ocorram condições potencialmente prejudiciais, como baixa pressão do óleo, alta temperatura, rotação excessiva e outras condições.

O painel de controle do gerador mostra descrições dos possíveis alarmes de desligamento no monitor digital.

Os alarmes de desligamento possíveis são listados abaixo:

- Rotação excessiva.
- Rotação insuficiente.
- Baixa pressão do óleo.
- Alta temperatura do líquido de arrefecimento.
- Desligamento Externo 1.
- Desligamento Externo 2.
- Desligamento Externo 3.
- Falha do GCB (disjuntor do gerador).
- Sobretensão do gerador.

- Subtensão do gerador.
- Sobrefrequência do gerador.
- Subfrequência do gerador.
- Rotação do gerador no sentido anti-horário (CCW).
- Falha de partida.
- Falha de parada.
- Bateria descarregada.
- Autodetecção de tensão.

### Rearme do sistema de detecção do alarme de desligamento

O operador deve rearmar o sistema de detecção do alarme de desligamento cada vez que ele for ativado.

Consulte o Guia de aplicação do painel de controle fornecido com este gerador para obter informações mais detalhadas sobre o rearme do Sistema de detecção do alarme de desligamento.

### Rotação excessiva

Este alarme de desligamento é indicado por Rotação excessiva exibido no monitor digital. Esta condição ocorre se a rotação do motor for maior que 115% da RPM nominal do motor, que é derivada da frequência do gerador.

Para solucionar o problema, contate seu instalador ou um representante autorizado.

### Rotação insuficiente

Este alarme de desligamento é indicado por Rotação insuficiente exibido no monitor digital. Esta condição ocorre se a rotação do motor cair abaixo da RPM nominal do motor.

Para solucionar o problema, contate seu instalador ou um representante autorizado.

### Baixa pressão do óleo

Este alarme de desligamento é indicado por Baixa pressão do óleo exibido no monitor digital. A unidade é equipada com um interruptor de pressão do óleo que usa contatos normalmente fechados mantidos abertos pela pressão do óleo do motor durante a operação. Se a pressão do óleo cair abaixo da faixa de 8 psi, os contatos do interruptor se fecham e o motor é desligado.

Para corrigir a condição de baixa pressão do óleo, complete com o óleo recomendado até a marca CHEIO na vareta ou contate seu instalador ou um representante autorizado.

### Alta temperatura do líquido de arrefecimento

Este alarme de desligamento é indicado por Alta temperatura do líquido de arrefecimento exibido no monitor digital. Esta condição ocorre quando a temperatura do líquido de arrefecimento ultrapassa o limite de desligamento.

Para solucionar o problema, contate seu instalador ou um representante autorizado.

### Desligamento externo 1, 2 ou 3

Este alarme de desligamento é indicado por Desligamento externo exibido no monitor digital.

Para solucionar o problema, contate seu instalador ou um

Português

pt

**representante autorizado.**

### **Falha do disjuntor do gerador (GCB)**

Este alarme de desligamento é indicado por Falha do GCB exibido no monitor digital. Esta condição ocorre quando o disjuntor do gerador é desarmado ou se torna inoperante.

Para solucionar o problema, contate seu instalador ou um representante autorizado.

### **Sobretensão do gerador**

Este alarme de desligamento é indicado por Sobretensão do gerador exibido no monitor digital. Esta condição ocorre quando a tensão de saída ultrapassa o limite predefinido.

Para solucionar o problema, contate seu instalador ou um representante autorizado.

### **Subtensão do gerador**

Este alarme de desligamento é indicado por Subtensão do gerador exibido no monitor digital. Esta condição ocorre quando a tensão de saída cai abaixo do limite predefinido.

Para solucionar o problema, contate seu instalador ou um representante autorizado.

### **Sobrefrequência do gerador**

Este alarme de desligamento é indicado por Sobrefrequência do gerador exibido no monitor digital. Esta condição ocorre quando a frequência do gerador fica fora dos limites dados pelos pontos de definição.

Para solucionar o problema, contate seu instalador ou um representante autorizado.

### **Subfrequência do gerador**

Este alarme de desligamento é indicado por Subfrequência do gerador exibido no monitor digital. Esta condição ocorre quando a frequência do gerador fica fora dos limites dados pelos pontos de definição.

Para solucionar o problema, contate seu instalador ou um representante autorizado.

### **Rotação do gerador no sentido anti-horário (CCW)**

Este alarme de desligamento é indicado por Gerador CCW exibido no monitor digital. Esta condição ocorre quando a fase do gerador fica fora de sequência.

Para solucionar o problema, contate seu instalador ou um representante autorizado.

### **Falha de partida**

Este alarme de desligamento é indicado por Falha de partida exibido no monitor digital. Esta condição ocorre quando o gerador não pega.

Para solucionar o problema, contate seu instalador ou um representante autorizado.

### **Falha de parada**

Este alarme de desligamento é indicado por Falha de parada exibido no monitor digital. Esta condição ocorre quando o gerador não desliga.

Para solucionar o problema, contate seu instalador ou um representante autorizado.

### **Bateria descarregada**

Este alarme de desligamento é indicado por Bateria descarregada exibido no monitor digital. Esta condição ocorre se o controlador perder potência durante uma sequência de partida devido a má condição da bateria. Ele não tenta dar partida novamente até que a bateria esteja funcionando

corretamente.

Para solucionar o problema, contate seu instalador ou um representante autorizado.

### **Autodeteção de tensão**

Este alarme de desligamento é indicado por Autodeteção de tensão exibido no monitor digital. Esta condição ocorre se o controlador perder potência durante uma sequência de partida devido a má condição da bateria. Ele não tenta dar partida novamente até que a bateria esteja funcionando corretamente.

Para solucionar o problema, contate seu instalador ou um representante autorizado.

### **Manutenção do gerador**

A manutenção do gerador consiste em manter a unidade limpa. Opere e armazene a unidade em um ambiente seco e limpo onde não haja excesso de poeira, sujeira, umidade ou qualquer vapor corrosivo. As aletas de resfriamento no gabinete não devem ficar entupidas com neve, folhas ou qualquer outro material externo. Para evitar danos ao gerador causados por superaquecimento, mantenha as entradas e saídas de resfriamento do gabinete sempre limpas e desobstruídas.

Verifique frequentemente a limpeza da unidade e limpe quando o pó, sujeira, óleo, umidade ou outras substâncias estranhas forem visíveis em sua superfície externa/interna. Inspeção as aberturas de entrada e saída de ar dentro e fora do gabinete para assegurar que o fluxo de ar não seja bloqueado.

NÃO borriفة o gerador diretamente com uma mangueira de água para fazer a limpeza. A água pode penetrar no motor e no gerador e causar problemas.

### **Limpendo o gerador**

1. Pressione e mantenha pressionado o botão OFF do painel de controle.
2. Remova o fusível de 15 ampères do painel de controle.
3. Limpe o gerador conforme necessário.
  - Use um pano úmido para limpar as superfícies externas.
  - Use uma escova de cerdas macias para soltar a sujeira solidificada etc.
  - Use um aspirador de pó para extrair sujeira e resíduos soltos.
  - Use ar comprimido a baixa pressão (não ultrapassar 25 psi) para soprar fora a sujeira. Inspeção as aletas e aberturas do ar de resfriamento no gerador. Essas aberturas devem ser mantidas limpas e desobstruídas.
4. Reinstale o fusível de 15 ampères no painel de controle.
5. Pressione e mantenha pressionado o botão AUTO do painel de controle.

## Manutenção do motor

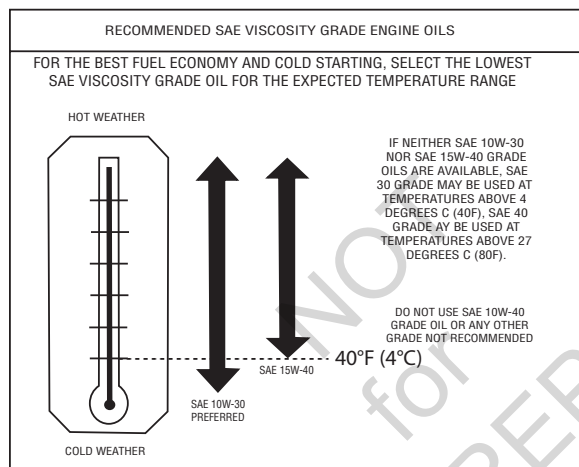
A manutenção do motor e seus componentes relacionados é essencial para o seu desempenho operacional e vida útil. Motores industriais operam em um ambiente que frequentemente inclui temperaturas altas e baixas e muito pó. O cronograma de manutenção recomendado é listado nesta seção, porém as condições operacionais ambientais e o equipamento adicional instalado podem requerer inspeção e manutenção mais frequentes.

O proprietário e/ou o técnico de serviço autorizado deve examinar as condições operacionais do equipamento para determinar os intervalos de inspeção e manutenção. O resfriamento e lubrificação apropriados do motor são muito importantes, assim preste muita atenção a eles.

## Óleo do motor

O motor sai da fábrica pré-testado e abastecido com óleo não sintético (API SL 10W-30). Isso permite a operação do sistema em uma ampla faixa de temperaturas e condições climáticas.

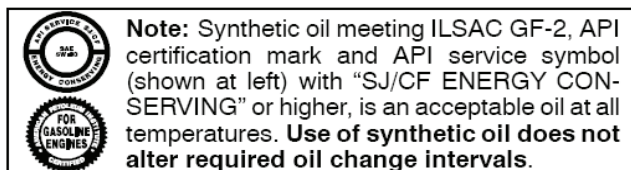
## Recomendações sobre o óleo



Selecione uma viscosidade de óleo do motor que melhor corresponda à temperatura prevalecente durante o dia.

O óleo deve atender a especificação GM 9986231. Óleos de motor que atendem esta especificação recebem o símbolo de estrela do API (American Petroleum Institute).

Convém notar que os óleos GF-4 também são “retrocompatíveis” e são iguais ou melhores que as gradações anteriores de óleo em todos os aspectos.



It is noted that the GF-4 oils are also “backward compatible” and are equal or better than previous grades of oil in all aspects.

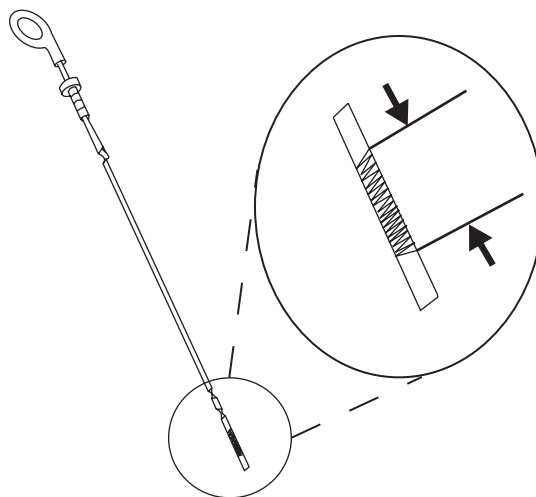
## Óleos sintéticos

Óleos sintéticos estão disponíveis para uso em motores industriais há um período de tempo relativamente longo, e podem oferecer vantagens em baixas e altas temperaturas. Porém, não se sabe se os óleos sintéticos oferecem benefícios operacionais ou econômicos em relação aos óleos minerais convencionais à base de petróleo no uso em motores industriais. O uso de óleos sintéticos não permite a extensão dos intervalos de troca de óleo.

## Verificando o nível do óleo

AVISO É importante ter cuidado ao verificar o nível de óleo do motor. O nível do óleo deve ser mantido entre as marcas “COMPLETAR” e “CHEIO” da vareta. Para garantir que você não esteja fazendo uma leitura falsa, certifique-se de executar as seguintes etapas antes de verificar o nível do óleo.

1. Desligue o motor.
2. Coloque o interruptor do sistema do painel de controle em OFF.
3. Remova o fusível de 15 ampères do painel de controle.
4. Espere aproximadamente cinco minutos até o óleo escorrer para o cárter.
5. Remova a vareta. Limpe-a com um pano ou toalha de papel e reinstale. Empurre a vareta até o final de seu tubo.
6. Remova a vareta e observe a quantidade de óleo na vareta. O nível do óleo deve estar entre as marcas “COMPLETAR” e “CHEIO”.
7. Se o nível de óleo estiver abaixo da marca “COMPLETAR”, reinstale a vareta e prossiga para a etapa 8.
8. Remova a tampa de abastecimento de óleo da tampa das válvulas.
9. Acrescente a quantidade exigida de óleo até o nível atingir, mas não ultrapassar, a marca “CHEIO” da vareta. Reinstale a tampa de abastecimento de óleo na tampa dos bala



Português

pt

## Troca de óleo do motor



MANTENHA FORA DO ALCANCE DE CRIANÇAS. NÃO POLUA O MEIO AMBIENTE. PRESERVE OS RECURSOS. DESCARTE O ÓLEO USADO NOS CENTROS DE COLETA.

**⚠ CUIDADO** Evite o contato prolongado ou repetido da pele com o óleo de motor usado.

- O óleo de motor usado foi comprovado como causador de câncer de pele em certos animais de laboratório.
- Lave bem as áreas expostas com sabão e água.

Faça a troca de óleo enquanto o motor ainda estiver quente.

1. Pressione e mantenha pressionado o botão OFF do painel de controle.
2. Remova o fusível de 15 ampères do painel de controle.
3. Coloque a mangueira do dreno de óleo (B) em um recipiente aprovado.
4. Abra a válvula (A) situada no fundo do cárter.
5. Após a drenagem do óleo, reinstale a arruela de bronze na mangueira.
6. Acrescente a quantidade exigida de óleo até o nível atingir, mas não ultrapassar, a marca "CHEIO" da vareta. Reinstale a tampa de abastecimento de óleo na tampa dos balancins das válvulas e limpe qualquer excesso de óleo.
7. Reinstale o fusível de 15 ampères no painel de controle.
8. Pressione e mantenha pressionado o botão AUTO do painel de controle.

## Correias V do motor

O motor instalado neste equipamento usa correia(s) motriz(es) que move(m) a bomba de água e o alternador. As correia(s) motriz(es) são parte integrante do sistema de arrefecimento e carga, e devem ser inspecionadas de acordo com o cronograma de manutenção.

Ao inspecionar as correias, verifique:

- Rachaduras.
- Seccionamento da correia.
- Separação.
- Material solto da correia.
- Vitrificação, endurecimento.

Se houver alguma destas condições, a correia deve ser substituída.

## Sistema de arrefecimento do motor

**⚠ ATENÇÃO** O líquido de arrefecimento pressurizado e quente pode causar ferimentos graves.



- NÃO abra a tampa do radiador quando quente.
- Antes da manutenção, deixe o líquido de arrefecimento esfriar.

**AVISO** Anticongelantes à base de álcool ou metanol, ou água pura não são recomendados para uso no sistema de arrefecimento sob nenhuma circunstância.

É importante que o sistema de arrefecimento do motor seja mantido corretamente para assegurar um desempenho e longevidade apropriados.

### Líquido de arrefecimento

Com o motor frio, verifique o nível do líquido de arrefecimento na garrafa de recuperação de líquido de arrefecimento (consulte Controles). As especificações do sistema de arrefecimento podem ser encontradas na tabela de Manutenção deste manual. Especificação do líquido de arrefecimento - mistura 50-50 de etilenoglicol com água destilada.

O sistema de arrefecimento deve ser mantido de acordo com o cronograma de manutenção recomendado, e sua inspeção deve incluir:

- A remoção regular do pó, sujeira e resíduos das colmeias do radiador e do protetor da ventoinha.
- Inspeção das mangueiras e componentes do sistema de arrefecimento para ver se há vazamentos, especialmente nas conexões da mangueira com o radiador. Aperte as braçadeiras das mangueiras se necessário.
- Verifique as mangueiras do radiador para ver se há inchaço, separação, endurecimento, rachaduras ou qualquer tipo de deterioração.
- Inspeção a tampa do radiador para assegurar uma vedação apropriada.



## Filtro de ar do motor

A manutenção do filtro de ar deve ser feita uma vez por ano, da seguinte maneira. Se o ambiente de operação tiver muita poeira, esta frequência deve ser maior.

1. Pressione e mantenha pressionado o botão OFF do painel de controle.
2. Remova o fusível de 15 ampères do painel de controle.
3. Remova o cartucho do filtro – Retire a tampa de serviço soltando o três grampos, começando pelos dois grampos inferiores e por último o grampo superior. Mova suavemente a extremidade do filtro de um lado para outro, e então gire-o puxando diretamente para fora.

4. Limpe o tubo de saída e verifique a válvula Vacuator™ - Use um pano para limpar a superfície de vedação do filtro e as superfícies do tubo de saída. Certifique-se de que todo o contaminante seja removido antes de instalar o filtro novo. Tome cuidado para não danificar a área de vedação do tubo.

Verifique visualmente e pressione fisicamente a válvula Vacuator conectada à tampa de serviço para certificar-se de que ela esteja flexível e não invertida, danificada ou entupida.



5. Limpe o filtro - Use uma escova de cerdas macias para soltar a sujeira e um aspirador de pó para remover a sujeira e os resíduos. Ar comprimido a baixa pressão (não acima de 25 psi) também pode ser usado para remover a sujeira. Substitua o cartucho do filtro se qualquer perfuração for detectada na mídia do filtro.

6. Instale o filtro limpo corretamente - Insira o filtro com cuidado. Assente o filtro com a mão, certificando-se de que ele esteja totalmente inserido no alojamento antes de fixar a tampa em seu lugar. Para uma boa vedação, aplique pressão com a mão na borda externa do filtro, não na parte central flexível. (Evite pressionar o centro da tampa de uretano.) Nenhuma pressão é necessária na tampa para manter a vedação.

NUNCA use a tampa de serviço para pressionar o filtro até sua posição! Isto pode causar danos ao alojamento, à tampa ou aos fixadores, e pode anular a garantia. Se a tampa de serviço tocar no filtro antes dele estar totalmente em sua posição, remova a tampa e empurre o filtro (com a mão) mais para dentro do alojamento, e tente novamente. A tampa deve se encaixar sem força adicional.

7. Reinstale a tampa de serviço - Assim que o filtro estiver em seu lugar, reinstale a tampa de serviço, posicionando-a com a seta e a palavra TOP para cima. Fixe o grampo superior primeiro, e os dois inferiores por último. Certifique-se de que todas as cintas de fixação, braçadeiras, parafusos e conexões do sistema inteiro do filtro de ar estejam apertados e confirme a ausência de buracos na tubulação - repare se necessário.
8. Reinstale o fusível de 15 ampères no painel de controle.
9. Pressione e mantenha pressionado o botão AUTO do painel de controle.

## Manutenção do sistema elétrico do gerador

O sistema elétrico do gerador incorpora computadores para controlar seus diversos componentes. As conexões e circuitos de terra do sistema elétrico requerem boas conexões. Siga o cronograma de manutenção recomendado, localizado na seção de Manutenção deste manual.

Ao inspecionar o sistema elétrico, verifique o seguinte:

- Verifique os cabos positivo (+) e negativo (-) da bateria para ver se há corrosão, desgaste, atrito, queimaduras, e para certificar-se de que as conexões estão apertadas em ambas as pontas.
- Verifique a bateria para ver se há rachaduras ou danos ao seu alojamento. Substitua, se necessário.
- Inspeção os chicotes de fios do motor para ver se há desgaste, atrito, queimaduras e rachaduras ou quebras na fiação.
- Verifique se os conectores dos chicotes do motor estão corretamente encaixados.
- Inspeção o cabo da bobina de ignição para ver se há endurecimento, rachaduras, desgaste, atrito, queimaduras, separação e danos nos isoladores de borracha.
- Inspeção os cabos das velas de ignição para ver se há endurecimento, rachaduras, desgaste, atrito, queimaduras, separação e danos nos isoladores de borracha.
- Inspeção as velas de ignição nos intervalos exigidos pelo cronograma de manutenção recomendado.
- Verifique se todos os componentes elétricos estão montados com firmeza no motor ou chassi.
- Verifique se qualquer serviço elétrico adicional instalado pelo proprietário foi instalado corretamente no sistema.

Português

pt



## Bateria

**▲ ATENÇÃO** Os pólos da bateria, terminais e outros acessórios relacionados contêm chumbo e compostos de chumbo – produtos químicos conhecidos no estado da Califórnia como causadores de câncer e danos ao aparelho reprodutor. Lave as mãos depois de manusear.

### Manutenção da bateria

Se for necessário fazer manutenção na bateria, proceda da seguinte maneira:

1. Pressione e mantenha pressionado o botão OFF do painel de controle.
2. Remova o fusível de 15 ampères do painel de controle.
3. Faça a manutenção ou substitua bateria conforme necessário. Consulte Bateria em Considerações Finais sobre a Instalação no manual de instalação para saber as necessidades específicas da bateria.
4. Conecte o cabo vermelho da bateria ao terminal positivo da bateria (indicado por POSITIVO, POS, ou (+)).
5. Conecte o cabo preto da bateria ao terminal negativo da bateria (indicado por NEGATIVO, NEG, ou (-)).
6. Certifique-se de que os cabos estejam fixados aos terminais positivo e negativo da bateria.
7. Reinstale o fusível de 15 ampères no painel de controle.
8. Pressione e mantenha pressionado o botão AUTO do painel de controle.



NÃO POLUA O MEIO AMBIENTE. PRESERVE OS RECURSOS, DESCARTE A BATERIA USADA NOS CENTROS DE COLETA PARA RECICLAGEM.

**▲ CUIDADO** Com o interruptor do sistema em AUTO, o motor pode ser acionado e dar partida a qualquer momento sem aviso prévio, resultando em ferimentos leves ou moderados.



- Para evitar possíveis ferimentos causados por estas partidas súbitas, sempre desligue o interruptor do sistema para OFF quando executar manutenção no sistema.
- Remova o fusível de 15 ampères antes de trabalhar no ou perto do gerador ou do interruptor de transferência.

## Carregando a bateria

Se for necessário carregar a bateria, proceda da seguinte maneira:

1. Pressione e mantenha pressionado o botão OFF do painel de controle.
2. Remova o fusível de 15 ampères do painel de controle.
3. Desconecte o cabo negativo da bateria do terminal negativo da bateria (indicado por NEGATIVO, NEG, ou (-)).

**AVISO** Deixar de desconectar o cabo negativo da bateria resultará em falha do equipamento.

- NÃO tente dar a partida no gerador com duas baterias conectadas em série.
- Os danos no equipamento resultantes da não observação desta instrução invalidam a garantia do motor e do gerador.

4. Carregue a bateria com carregador de baterias a 2 Ampères até a bateria manter 12 Volts. NÃO ultrapasse 13,7 volts durante a carga.
5. Conecte o cabo negativo da bateria ao terminal negativo da bateria (indicado por NEGATIVO, NEG, ou (-)).
6. Certifique-se de que os cabos estejam fixados aos terminais positivo e negativo da bateria.
7. Reinstale o fusível de 15 ampères no painel de controle.
8. Pressione e mantenha pressionado o botão AUTO do painel de controle.

## Inspeção e manutenção do sistema de combustível

### Sistema de combustível a gás natural/propano

O sistema de combustível instalado neste motor industrial foi projetado em conformidade com diversas normas para assegurar desempenho e confiabilidade. Para assegurar a conformidade com estas normas, siga o cronograma de manutenção recomendado contido nesta seção.

### Manutenção e inspeção do regulador de pressão

**AVISO** Os componentes do regulador de pressão foram especificamente projetados e calibrados para atender os requisitos do sistema de combustível do motor.

Se o regulador deixar de operar ou apresentar vazamentos, ele deve ser reparado ou substituído com peças de reposição recomendadas pelo OEM.

Ao inspecionar o regulador, verifique os seguintes itens:

- Verifique se há qualquer vazamento de combustível nas conexões de entrada e saída.
- Verifique se há qualquer vazamento de combustível no corpo do regulador.
- Verifique para assegurar que o regulador esteja montado com firmeza e os parafusos apertados.
- Verifique o regulador para ver se há danos externos.

### Manutenção e inspeção do venturi/dispositivo de controle de aceleração

**AVISO** Os componentes do venturi e do corpo do acelerador foram especificamente projetados e calibrados para atender os requisitos do sistema de combustível do motor.

**AVISO** Um filtro de ar sujo pode alterar significativamente o desempenho do venturi.

Ao inspecionar o venturi e o corpo do acelerador, verifique os seguintes itens:

- Vazamentos em todas as conexões.
- Certifique-se de que o venturi e o corpo do acelerador estejam montados com firmeza.
- Inspeção o elemento do filtro de ar de acordo com o cronograma de manutenção recomendado encontrado nesta seção.
- Verifique as linhas de combustível para ver se há rachaduras, aberturas ou atrito. Substitua se quaisquer destas condições estiverem presentes.
- Verifique se há vazamentos no corpo do acelerador e no coletor de admissão.

## Inspeção e manutenção do sistema de escapamento

Ao inspecionar o sistema de escapamento, verifique os seguintes itens:

- Inspeção o coletor de escapamento no cabeçote dos cilindros para ver se há vazamentos e que todos os parafusos e escudos (se usados) estejam em sua posição.
- Inspeção os parafusos de fixação do coletor ao tubo de escape para assegurar que eles estejam apertados e que não haja vazamentos no escapamento. Repare conforme necessário.
- Inspeção o conector elétrico do sensor de oxigênio para assegurar que o conector esteja assentado e travado, verifique os fios para assegurar não haja nenhuma rachadura, abertura, atrito ou queimadura. Substitua, se necessário.
- Inspeção a conexão do tubo de escape para ver se há vazamentos. Repare conforme necessário.

### Lado externo do motor

Inspeção periodicamente o lado externo do motor para ver se há possível contaminação e danos causados por sujeira, folhas, roedores, teias de aranha, insetos etc., e remova-os.

### Ao ligar para a Assistência Técnica

Você deve ter as seguintes informações em mãos se for necessário contatar um centro de serviço local sobre a manutenção ou reparo desta unidade:

1. Obtenha o Número de Modelo e Número de Série da unidade na plaqueta de identificação. Consulte Recursos e Controles para saber a localização da plaqueta ou consulte as informações registradas na capa interna do manual de instalação.
2. Obtenha os números de identificação do motor na plaqueta do motor. Consulte o manual do operador do motor para saber a localização destas informações. Note que vários motores diferentes são descritos no manual do motor, assim seu motor pode diferir do mostrado.

### Armazenamento

O gerador é projetado para uma longa vida útil como um gerador de reserva. Não há necessidade de tomar qualquer precaução com seu armazenamento. Porém, se for necessário retirar o sistema de serviço durante um período de tempo prolongado, ligue para a Assistência Técnica em 888 575-8226 entre 8:00 da manhã e 5:00 da tarde CT para obter recomendações específicas.

Português

pt

## Tabela de manutenção

Este cronograma de manutenção representa os intervalos de manutenção recomendados pelo fabricante para manter o motor/equipamento em boas condições de funcionamento. Os regulamentos federais, estaduais ou municipais podem requerer inspeções ou intervalos de manutenção adicionais ou mais frequentes do que os especificados acima. Consulte a autoridade cabível para obter mais detalhes.

Execute a seguinte manutenção no motor nos horários indicados e nos intervalos equivalentes depois deles.

Manutenção	Intervalo de tempo									
	Antes de cada uso	1000	1500	2000	2500	3000	3500	4000	4500	5000
<b>Seção de manutenção geral</b>										
Inspeção visual para ver se há vazamentos de fluidos	X									
Verificar o nível do óleo	X									
Verificar o nível do líquido de arrefecimento	X									
Trocar o óleo do motor e o filtro de óleo	A cada 100 horas ou anualmente									
Verificar o sistema de combustível para ver se há vazamentos	Antes e depois de qualquer atividade de serviço ou manutenção									
Inspeccionar as correias motrizes dos acessórios		X		X		X		X		X
Inspeccionar a fiação do sistema elétrico				X				X		
Inspeccionar todas as linhas e conexões de vácuo				X				X		
<b>Seção do líquido de arrefecimento do motor</b>										
Limpar os resíduos nas colmeias do radiador	A cada 100 horas ou 60 dias de operação									
Trocar o líquido de arrefecimento - mistura 50-50 de etilenoglicol com água destilada		X		X		X		X		X
Inspeccionar as mangueiras de líquido de arrefecimento		X				X				X
Substituir as mangueiras de líquido de arrefecimento e as correias motrizes dos acessórios	A cada 2.000 horas ou dois anos, o que ocorrer primeiro									
<b>Sistema de ignição do motor</b>										
Inspeccionar a caixa da bateria para ver se há vazamentos/danos		X		X		X		X		X
Inspeccionar os cabos da bateria		X		X		X		X		X
Inspeccionar as travas retentoras de todos os conectores elétricos		X		X		X		X		X
Substituir as velas de ignição			X			X			X	
Inspeccionar a engrenagem de sincronização do sensor de partida	A cada 100 horas ou anualmente									
Substituir a tampa e o rotor do distribuidor				X				X		
Limpar a torre da bobina de ignição secundária		X		X		X		X		X
Verificar os cabos das velas de ignição				X						
Substituir os cabos das velas de ignição								X		
<b>Manutenção do sistema de combustível</b>										
Inspeccionar o filtro de ar	A cada 200 horas (ou a cada 100 horas em ambientes severos) e Anualmente									
Verificar o funcionamento da válvula de corte de combustível				X				X		
Substituir o filtro de GLP em linha		X		X		X		X		X
Verificar o funcionamento da válvula solenoide de corte de GLP				X				X		
Verificar o sistema de indução de ar				X				X		
Verificar o coletor de admissão					X					X
<b>Sistema de escapamento do motor</b>										
Inspeccionar o coletor e o tubo de escapamento				X				X		
Verificar o conector do sensor HEGO				X				X		

## Solução de problemas

Problema	Causa	Correção
O motor está funcionando mas a saída de CA não está disponível.	<ol style="list-style-type: none"> <li>1. Disjuntor aberto ou com defeito.</li> <li>2. Falha no painel de controle do gerador.</li> <li>3. Conexões da fiação ou interruptor de transferência com defeito.</li> </ol>	<ol style="list-style-type: none"> <li>1. Rearme ou substitua o disjuntor.</li> <li>2. Contate a assistência técnica local.</li> <li>3. Verifique e repare.</li> </ol>
O motor funciona bem sem nenhuma carga, mas seu desempenho cai quando as cargas são conectadas.	<ol style="list-style-type: none"> <li>1. Curto-circuito em uma carga conectada.</li> <li>2. Gerador sobrecarregado.</li> <li>3. Circuito do gerador em curto.</li> <li>4. Pressão ou mistura do combustível incorreta.</li> <li>5. Linha de combustível dobrada.</li> </ol>	<ol style="list-style-type: none"> <li>1. Desconecte a carga elétrica em curto.</li> <li>2. Desligue uma ou mais cargas.</li> <li>3. Contate a assistência técnica local.</li> <li>4. Consulte Sistema de gás combustível no manual de instalação.</li> <li>5. Remova a dobra. Substitua, se necessário.</li> </ol>
O motor não dá a partida ou dá a partida e funciona em má condição.	<ol style="list-style-type: none"> <li>1. Fusível de 15 ampères faltando ou queimado.</li> <li>2. Abastecimento de combustível fechado ou vazio.</li> <li>3. Falha na bateria.</li> <li>4. Pressão do combustível incorreta</li> </ol>	<ol style="list-style-type: none"> <li>1. Instale um (novo) fusível de 15 ampères. Consulte Painel de controle do sistema.</li> <li>2. Válvula(s) de combustível aberta(s); verifique o tanque de propano.</li> <li>3. Substitua a bateria.</li> <li>4. Consulte Sistema de gás combustível no manual de instalação.</li> </ol>
O motor desliga durante a operação.	<ol style="list-style-type: none"> <li>1. Abastecimento de combustível fechado ou vazio.</li> <li>2. Indicador de falha piscando.</li> </ol>	<ol style="list-style-type: none"> <li>1. Verifique as válvulas de combustível, encha o tanque de propano.</li> <li>2. Conte as piscadas e consulte Sistema de detecção de falhas.</li> </ol>
Perda de energia nos circuitos.	<ol style="list-style-type: none"> <li>1. Disjuntor do gerador aberto.</li> <li>2. Problemas no interruptor de transferência.</li> </ol>	<ol style="list-style-type: none"> <li>1. Rearme o disjuntor.</li> <li>2. Consulte o manual do interruptor de transferência.</li> </ol>

### **Información general**

U.S. EPA y Briggs & Stratton (B&S) le explican a continuación la garantía del sistema de control de emisiones de su motor/equipo modelo 2010 y posteriores. En los Estados Unidos, los motores nuevos de reserva de emergencia superiores a 25 HP deben ser diseñados, construidos y equipados para cumplir con estrictas normas de emisiones. B&S debe garantizar la existencia de un sistema de control de emisiones en el motor/equipo.

Consulte más abajo la Definición del uso adecuado de la reserva de emergencia.

La garantía relacionada con las emisiones cubre todos los componentes que, al fallar, provocan el aumento de las emisiones no evaporativas del motor de cualquier contaminante regulado que se mencione abajo.

### **Cobertura de la garantía del fabricante:**

Briggs & Stratton garantiza que el motor no tiene ningún defecto de material ni mano de obra, y que también está diseñado, construido y equipado según las normativas vigentes de la Sección 213 de la Ley del Aire Limpio, desde el momento de la venta del motor hasta el vencimiento del período de esta garantía.

Esta garantía se aplica a todos los componentes del motor asociados con las emisiones que, al fallar, provocan que las emisiones del escape del motor no cumplan con la EPA. Además, esta garantía también se aplica a otros componentes del motor dañados debido al fallo de cualquiera de estos componentes asociados con las emisiones.

Si un componente del motor asociado con las emisiones y cubierto por la garantía está defectuoso, B&S reparará o reemplazará la pieza sin ningún coste para usted, incluidos el diagnóstico, las piezas y la mano de obra.

El período de cobertura de la garantía es de dos años a partir de la fecha de compra original y se ofrece al comprador original y a cada comprador posterior, siempre y cuando se cumplan las responsabilidades de la garantía del propietario.

### **Responsabilidades de la garantía del propietario:**

- Las reclamaciones de garantía se cumplimentarán con arreglo a las disposiciones de la política de garantía de Briggs & Stratton.
- Un motor puede no ser cubierto por la garantía si se somete a abuso, uso indebido, negligencia, mantenimiento incorrecto, modificaciones no aprobadas, accidentes no provocados por motores o equipo Briggs & Stratton o por hechos fortuitos.
- Sólo son cubiertos por la garantía los motores usados como motores estacionarios para emergencia, según se define abajo.
- Usted es responsable de presentar su motor/equipo a un centro de distribución de B&S, distribuidor autorizado de servicio u otra entidad equivalente, según corresponda, en el momento en que surja un problema. Las reparaciones cubiertas por la garantía se llevarán a cabo en un plazo razonable, no superior a 30 días en ningún caso. En caso de tener preguntas sobre los derechos y responsabilidades relativos a la garantía, póngase en contacto con B&S llamando al 1-800-233-3723 o en BRIGGSandSTRATTON.COM.
- Si se repara o reemplaza algún componente no programado para mantenimiento mediante esta garantía, la nueva pieza tendrá garantía sólo durante el período de garantía restante.
- Si un componente cubierto por la garantía programado para mantenimiento falla antes de que se realice el primer reemplazo programado, B&S reparará o reemplazará la pieza sin ningún coste para el propietario. Cualquier componente de ese tipo está cubierto por la garantía sólo hasta que haya vencido el período de mantenimiento programado originalmente.
- No se podrán utilizar piezas complementarias o modificadas no exentadas por la EPA. Si el propietario usa piezas complementarias o modificadas no exentas dará lugar a la anulación de la reclamación de garantía. El fabricante no será responsable de los fallos o piezas cubiertas por la garantía que se deban al uso de una pieza complementaria o modificada no exenta.

### **La emergencia Definición Inmóvil de Motor**

Una Emergencia Motor que Inmóvil es definido como motor inmóvil de combustión interna cuya operación es limitada a situaciones de emergencia y probar y al mantenimiento necesario. Ejemplos incluyen motores inmóviles que es utilizado para producir el poder para redes o equipo críticos (inclusive el poder suministrado a porciones de una facilidad) cuando energía eléctrica de la utilidad local (o la fuente de alimentación normal, si la facilidad corre por sí mismo producción de poder) es interrumpido, o motores inmóviles que es utilizado para bombear agua en el caso del fuego o la inundación, etc. Los motores inmóviles utilizados para pico que afeitado no es considerado emergencia motores inmóviles. Los motores inmóviles que es utilizado para suministrar el poder a una cuadrícula eléctrica o ese poder del suministro como parte de un arreglo financiero con otra entidad no es considerada para ser motores de emergencia. La emergencia ICE que inmóvil puede ser operado para el propósito de talones de mantenimiento y prontitud que prueban, con tal de que las pruebas sean recomendadas por Federal, el Estado o la administración municipal, el fabricante, el vendedor, o la compañía de seguros se asociaron con el motor. El mantenimiento verifica y la prontitud que prueba de tales unidades es limitada a 100 horas por año. No hay plazo en el uso de emergencia motores inmóviles en situaciones de emergencia. El propietario o el operario pueden peticionar al Administrador para la aprobación de horas adicionales ser utilizado para talones de mantenimiento y prontitud que prueban, pero una petición no es requerida si el propietario o el operario mantienen registros que indican que Federal, el Estado, o estándares locales requieren mantenimiento y probando de ICE de emergencia más allá de 100 horas por año. La emergencia ICE que inmóvil puede operar hasta 50 horas por año en situaciones de no-emergencia, pero esas 50 horas son contadas hacia las 100 horas por año previo mantenimiento y probar. Las 50 horas por año para situaciones de no-emergencia no pueden ser utilizadas para afeitarse de pico ni para engendrar los ingresos para una facilidad para suministrar el poder a una cuadrícula eléctrica ni de otro modo poder de suministro como parte de un arreglo financiero con otra entidad. Para propietarios y operarios de motores de emergencia, de cualquier operación de otra manera que operación de urgencia, del mantenimiento y probar, y de la operación en situaciones de no-emergencia durante 50 horas por año, como permitido encima de es prohibido.



## POLÍTICA DE GARANTÍA PARA EL PROPIETARIO DE GENERADORES DE RESERVA BRIGGS & STRATTON POWER PRODUCTS GROUP, LLC

Fecha de entrada en vigor: 1 de septiembre de 2010. Sustituye a todas las garantías sin fecha y a las de fecha anterior a septiembre de 2010.

### GARANTÍA LIMITADA

Briggs & Stratton Power Products Group, LLC reparará o sustituirá sin cargo alguno cualquier componente del equipo que presente defectos de materiales y/o mano de obra. Los gastos de viaje se reembolsan según se especifica en el documento Pautas de la garantía de Briggs & Stratton, a los distribuidores de Briggs & Stratton autorizados para realizar las reparaciones cubiertas por la garantía correspondiente. El período de vigencia y las condiciones de esta garantía son los que se estipulan a continuación. Para obtener servicio en garantía, localice el distribuidor de servicio autorizado más próximo en nuestro mapa de distribuidores, en BRIGGSandSTRATTON.COM.

NO EXISTE NINGUNA OTRA GARANTÍA EXPLÍCITA. LAS GARANTÍAS IMPLÍCITAS, INCLUIDAS LAS DE COMERCIABILIDAD O IDONEIDAD PARA UN FIN CONCRETO, SE LIMITAN A UN AÑO A PARTIR DE LA FECHA DE COMPRA O AL LÍMITE DE TIEMPO PERMITIDO POR LA LEY. QUEDAN EXCLUIDAS TODAS LAS GARANTÍAS IMPLÍCITAS. QUEDA EXCLUIDA LA RESPONSABILIDAD POR DAÑOS SECUNDARIOS Y DERIVADOS HASTA EL LÍMITE PERMITIDO POR LA LEY. Algunos países o estados no permiten limitar la duración de una garantía implícita ni excluir o limitar los daños secundarios y derivados. Por tanto, es posible que las limitaciones y exclusiones mencionadas no sean aplicables en su caso. Esta garantía le otorga determinados derechos legales y es posible que tenga otros derechos que pueden variar de un país o estado a otro.

### WARRANTY PERIOD

<b>Generator</b>	<b>4 años</b>
<b>Motor</b>	<b>2 años</b>

El período de garantía comienza en la fecha de compra del primer consumidor o usuario comercial final y se prolonga durante el tiempo especificado anteriormente.

NO ES NECESARIO REGISTRAR LA GARANTÍA PARA OBTENER SERVICIO DE BRIGGS & STRATTON PRODUCTS. GUARDE SU RECIBO DE COMPRA. SI NO APORTA LA PRUEBA DE LA FECHA DE COMPRA INICIAL EN EL MOMENTO DE SOLICITAR EL SERVICIO EN GARANTÍA, SE UTILIZARÁ LA FECHA DE FABRICACIÓN DEL PRODUCTO PARA DETERMINAR EL PERÍODO DE GARANTÍA.

Si tiene cualquier pregunta con respecto a sus derechos de garantía y responsabilidades, debe contactar B&S en 1-800-233-3723 o BRIGGSandSTRATTON.COM.

### FABRICANTE REGISTRADO

IMPCO es el fabricante registrado para todos los asuntos relacionados con el cumplimiento de la Agencia de Protección Ambiental (Environmental Protection Agency, EPA) que tienen que ver con el uso y rendimiento del motor. Consulte la garantía de emisiones (n.º de pieza 313540) para obtener más información.

### ACERCA DE LA GARANTÍA

Esperamos que disfrute de nuestra garantía y le pedimos disculpas por las molestias causadas. Cualquier distribuidor de servicio autorizado puede llevar a cabo reparaciones en garantía. La mayoría de las reparaciones en garantía se gestionan normalmente, pero algunas veces la solicitud de servicio en garantía puede no ser procedente. Por ejemplo, la garantía no será válida si el equipo presenta daños debidos al mal uso, la falta de mantenimiento de rutina, el transporte, la manipulación, el almacenamiento o la instalación inadecuados. De manera similar, la garantía quedará anulada si se ha borrado la fecha de fabricación o los números de serie del equipo, o si el equipo ha sido alterado o modificado. Durante el período de garantía, el distribuidor de servicio autorizado podrá reparar o sustituir, a su libre elección, cualquier pieza que, previa inspección, sea defectuosa en condiciones normales de uso y servicio. Esta garantía no cubre las reparaciones y los equipos que se detallan a continuación:

- **Desgaste normal:** Al igual que todos los dispositivos mecánicos, los equipos de uso en exteriores y motores necesitan componentes y mantenimiento periódico para funcionar correctamente. Esta garantía no cubre las reparaciones cuando el uso normal haya agotado la vida útil de una pieza concreta del equipo.
- **Instalación y mantenimiento:** Esta garantía no cubre los equipos ni las piezas cuya instalación sea incorrecta o no haya sido autorizada, ni aquéllos que hayan sido objeto de cualquier tipo de alteración, mal uso, negligencia, accidente, sobrecarga, exceso de velocidad o mantenimiento, reparación o almacenamiento inadecuados que, a nuestro juicio, haya afectado negativamente a su funcionamiento y su fiabilidad.

Los términos de la garantía continúan en la página siguiente.

Português

pt

#### Otras exclusiones:

1. Desgaste de elementos tales como aceite del motor, medidores de aceite, juntas tóricas, filtros, fusibles, bujías, anticongelante o baterías de arranque, etc. así como los daños derivados de accidentes, congelación, uso indebido, modificaciones, alteraciones, servicio inadecuado o deterioro químico.
2. Todos los costos por ajustes, abrazaderas o conexiones sueltas o que presenten fugas, operaciones de instalación o arranque, limpieza y obstrucción del sistema de combustible (debido a materias químicas, suciedad, carbón, cal, etc.) y cualquier fallo provocado por combustible, anticongelante o aceite contaminado.
3. Unidades vendidas como fuentes principales de energía, según lo definido en los códigos nacionales de electricidad de Estados Unidos y Canadá, independientemente de que, en condiciones normales, exista o no una red pública.

\*Para propósitos de esta garantía, el Poder Principal es definido donde el generador es una fuente del poder donde no poder eléctrico está disponible de la CUADRICULA VERSATIL del PODER. Si ningún poder VERSATIL está disponible, el generador es considerado la fuente de alimentación principal.

4. Equipo usado, reacondicionado y de demostración, los equipos utilizados en usos móviles o de alquiler, así como cualquier equipo sanitario destinado al mantenimiento de las constantes vitales.

“Uso para alquiler” significa cualquier uso que se le dé a este producto para alquiler temporal o semipermanente. Una vez que el equipo se haya usado con para alquiler, se considerará como equipo de uso para alquiler a efectos de esta garantía.

5. Lesiones corporales, incluida la muerte, que resulten del fallo del producto.

6. La caja tiene garantía contra óxido y corrosión de la superficie durante el primer año del período de garantía.

Oxido y corrosión de la superficie se definen como cualquier óxido o corrosión que haya penetrado en la pintura pero que no haya penetrado a través de la subestructura metálica.

La caja tiene garantía contra corrosión integral durante los primeros dos años del período de garantía.

Corrosión integral se define como óxido o corrosión que haya penetrado completamente a través de la pintura y de la subestructura metálica.

La caja no tiene garantía contra óxido o corrosión de la superficie o contra corrosión integral que pueda ser consecuencia de una instalación inadecuada, del daño a las superficies pintadas que afecte las propiedades de prevención contra corrosión de la pintura, o si la unidad es instalada en entornos que expongan al generador a altos niveles de agentes corrosivos.

7. Accesorios.

8. Cualquier pérdida de ingresos que sea resultado directo o indirecto del fallo de esta unidad.

9. Fallos debidos a acontecimientos de fuerza mayor o fuerzas externas que escapen al control del fabricante o a hechos fortuitos, tales como heladas, robos, incendios, colisiones, guerras o disturbios, vandalismo, rayos, terremotos, tormentas de viento, granizo, erupciones volcánicas, inundaciones, tornados, huracanes, actos terroristas u holocausto nuclear.

10. Daños secundarios, derivados o indirectos causados por defectos en los materiales o en la mano de obra o por cualquier retraso en la reparación o la sustitución de los componentes defectuosos.

11. Fallos debidos a la mala aplicación o mala representación.

12. Gastos por uso de teléfono, satélite, fax, teléfono móvil, Internet u otro medio de comunicación.

13. Gastos por trabajo en horas extraordinarias, días festivos o emergencias.

14. Cualquier medio de transporte que, a nuestro juicio, se considere poco común, como aviones, transbordadores, ferrocarril, autobuses, helicópteros, motonieves, tractores para nieve (snow-cats), vehículos de servicio, etc.

15. Todo gasto incurrido en la investigación de quejas de rendimiento, a menos que la presencia de defectos en los materiales Briggs & Stratton y/o la mano de obra haya sido la causa directa del problema.

16. Gastos de transporte urgente de los repuestos.

17. Otro equipo para alquiler utilizado mientras se lleva a cabo la reparación cubierta por la garantía (es decir, generadores, equipo de manejo de material, etc.). 313539S, Rev. -, 09/01/2010.

**BRIGGS & STRATTON POWER PRODUCTS GROUP, LLC  
MILWAUKEE, WI, EE.UU.**

## Especificações do produto

60 kW

Corrente de carga nominal máxima (a 40°C/104°F, LP\*):

a 240 Volts 146 A

Tensão de CA nominal 120/240 Volts

Fase Tresfásica

Frequência nominal 60 Hertz

Faixa operacional normal -20°F (-28,8°C) a 104°F (40°C)

Nível de ruído 65 dB(A) a 23 pés (7 m) sob carga normal

Peso de remessa 2120 lbs (962 kg)

Series 60000*	Voltage	Rated Amps
3 Phase Wye	120/208	215
3 Phase Wye	139/240	186
3 Phase Delta	120/240	186
3 Phase Wye	240/416	108
3 Phase Wye	277/480	93
3 Phase Wye	346/600	73

\* A classificação do gás natural depende do combustível específico, mas as reduções típicas ficam entre 10 a 20% abaixo da classificação do gás GLP.

Este gerador é classificado conforme as normas (Underwriters Laboratories) 2200 (stationary engine generator assemblies) and CSA (Canadian Standards Association) C22.2 No. 100-4 (motores e geradores).

80005452 Rev.-

## Free Manuals Download Website

<http://myh66.com>

<http://usermanuals.us>

<http://www.somanuals.com>

<http://www.4manuals.cc>

<http://www.manual-lib.com>

<http://www.404manual.com>

<http://www.luxmanual.com>

<http://aubethermostatmanual.com>

Golf course search by state

<http://golfingnear.com>

Email search by domain

<http://emailbydomain.com>

Auto manuals search

<http://auto.somanuals.com>

TV manuals search

<http://tv.somanuals.com>