



ASSEMBLY & INSTRUCTION MANUAL
MODEL#: X6855

ATOMIC
ROD HOCKEY

PLEASE STAPLE YOUR PURCHASE RECEIPT TO PAGE 10
AND FILE THIS MANUAL FOR FUTURE REFERENCE.

ATOMIC ROD HOCKEY

Model# X6855

Toll Free Customer Relations: 1-800-225-5712

E-mail: info@classicsport.com

INTRODUCTION

CONGRATULATIONS!! You have chosen a table with unsurpassed value that will provide years of entertainment. Thank you for your support!



COMPLETELY UNPACK ALL COMPONENTS AND VERIFY YOU HAVE ALL THE CORRECT PIECES. IF YOU NOTICE DEFECTIVE OR MISSING PARTS, DO NOT IMMEDIATELY RETURN THE TABLE TO THE STORE. INSTEAD, PLEASE CALL US FIRST AT:



1-800-225-5712 (M-F 8:30AM-4:30PM Mountain Time)

Please read the instructions carefully after you have unpacked the carton, and familiarize yourself with the assembly order & names of parts.



THIS ITEM HAS MANY PARTS AND STEPS OF ASSEMBLY. IT IS VERY IMPORTANT THAT THE STEPS ARE FOLLOWED CLOSELY. FOR THIS REASON, IT IS IMPORTANT TO HAVE TWO ADULTS AND A FEW HOURS SET ASIDE FOR ASSEMBLY.



If at any time you have questions regarding your table, please do not hesitate to contact us via:

PHONE:	1-800-225-5712 (M-F 8:30am-4:30pm MT)
EMAIL:	info@classicsport.com
MAIL:	Classic Sport Companies Inc. Attn: Customer Relations 5151 Bannock Street, Ste. D Denver, CO 80216



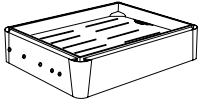
THROUGHOUT THE MANUAL, WATCH FOR THIS SIGN, SHOWING SPECIAL TIPS AND HELPFUL HINTS.



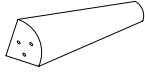
TABLE OF CONTENTS	
Introduction	1
Assembly Parts List.....	2 - 3
Before You Begin.....	4
Tools Required.....	4
Assembly Instructions	4 - 8
Troubleshooting	9
Parts Reorder List.....	10
Warranty Information.....	11

ASSEMBLY PARTS LIST

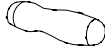
Model X6855



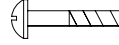
(#1) Cabinet
1 pc



(#2) Legs
4 pcs



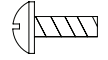
(#3) Rod Handle
10 pcs



(#4) Bolt, 1/8" x 1"
10 pcs



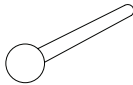
(#5) Rod Spring
10 pcs



(#6) Bolt, 1/2"
2 pcs



**(#7) Washer,
3 x 13mm**
2 pcs



**(#8) Goalie Control
Knob**
2 pcs



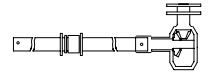
(#9) Blue Players
5 pcs



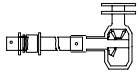
(#10) Red Players
5 pcs



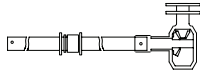
(#11) Goalies
2 pcs



**(#12) Medium
Player Rod**
2 pcs



**(#13) Short
Player Rod**
4 pcs



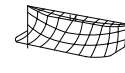
**(#14) Long
Player Rod**
4 pcs



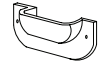
(#15) Leg Leveler
4 pcs



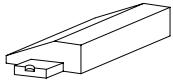
(#16) Goal Barrier
2 pcs



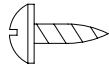
(#17) Goal
2 pcs



(#18) Puck Catcher
2 pcs



(#19) Scoreboard
1 pc



**(#20) Screw,
T4 x 1/2"**
26 pcs



**(#21) Clear
Washers**
10 pcs



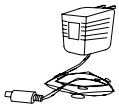
**(#22) Corner Wall
Post**
4 pcs



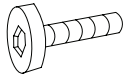
**(#23) Long Side
Plastic Wall**
2 pcs



**(#24) Short End
Plastic Wall**
2 pcs



(#25) Adaptor
1 pc



**(#26) Bolt,
5/16" x 1-3/4"**
12 pcs



(#27) Washer
12 pcs



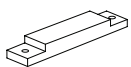
(#28) Puck
2 pcs



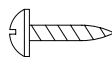
**(#29) 4mm Allen
Key**
1 pc



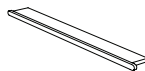
**(#30) Spike Nut,
1/8"**
10 pcs



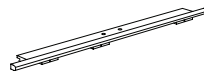
(#31) Track Bracket
10 pcs



**(#32) Screw,
T4 x 1-1/4"**
10 pcs



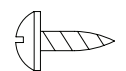
(#33) End Top Rail
2 pcs



**(#34) Side
Top Rail-A**
1 pc



**(#35) Side
Top Rail-B**
1 pc



**(#36) Screw,
T4 x 5/8"**
10 pcs

ASSEMBLY INSTRUCTIONS

BEFORE YOU BEGIN

IMPORTANT NOTES:

- Your table will be assembled upside down at first. **FOR YOUR SAFETY** and to avoid damaging the table, please do **NOT** flip the table over onto its legs unless **YOU HAVE HELP FROM OTHERS**.
- To protect the surfaces of the table during assembly, find a clean, level place to work on. Using the box for this works well.
- Once the table is assembled, never lift or move it by the rods; this will damage the table.

ASSEMBLY TIPS:

- When assembling parts that have more than one bolt, start all the bolts by hand for that particular step **BEFORE** you tighten them down.
- Keep the hardware pieces in their respective compartments during assembly so they are easily accessible.



TOOLS NEEDED:

- Phillips head screwdriver
- Wrench (included)
- An electric screwdriver is very helpful in assembly. However, be sure to **SET AT LOW TORQUE** and **USE EXTREME CAUTION**; you can over-tighten the hardware and strip the screws, or make them poke through the table's parts!



STEP 1

ROD ASSEMBLY

***** The (#14) LONG PLAYER ROD and (#12) MEDIUM PLAYER ROD are very close in length. Please make note which one is longer.

A) The (#14) LONG PLAYER RODS are for the "WING" positions; (#12) MEDIUM PLAYER RODS are for the "CENTER" positions; (#13) SHORT PLAYER RODS are for the "DEFENSE" positions.

B) After you have placed the rods in their respective positions, attach the (#3) HANDLES and (#5) SPRINGS using (#4) BOLTS and (#30) SPIKE NUTS as shown.

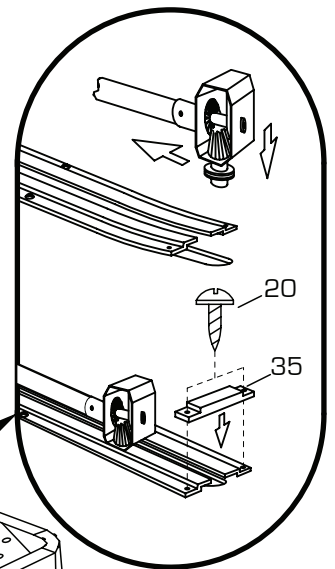
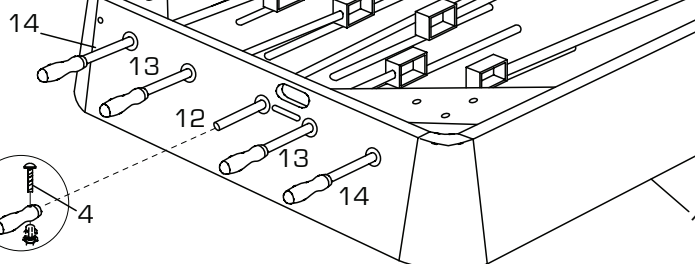
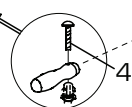
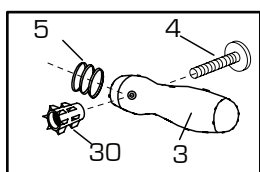


FIGURE 1

STEP 2

Attach the (#8) GOALIE CONTROL KNOBS using (#6) BOLTS and (#7) WASHERS as shown in FIGURE 3a.

Make sure the INTERNAL goalie "L" bracket is at the angle in FIGURE 3a.

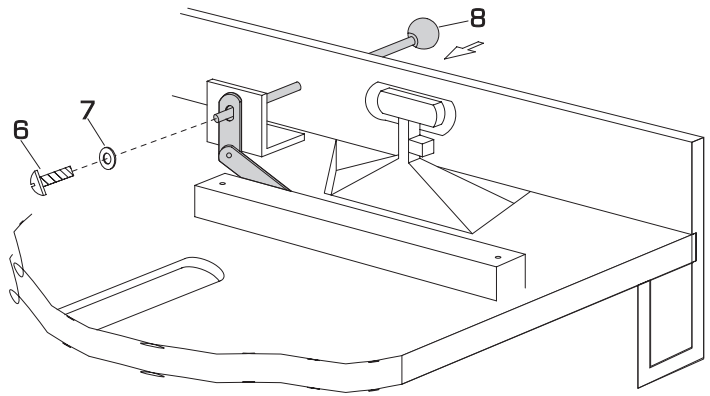


FIGURE 2

STEP 3

Attach the (#2) LEGS to the cabinet using (#26) BOLTS and (#27) WASHERS.

Attach one (#15) LEG LEVELER to each leg by twisting clockwise.

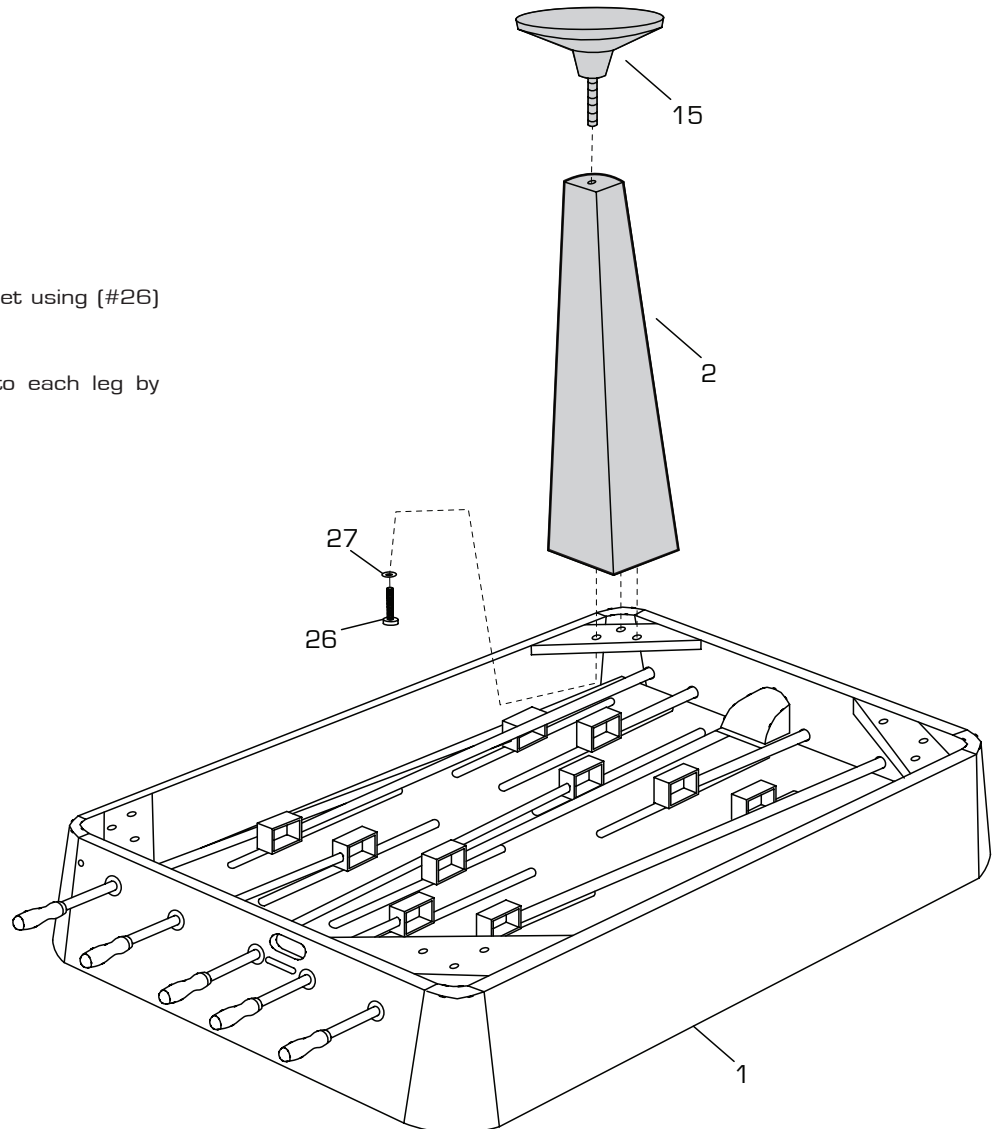


FIGURE 3

STEP 4

Flip table over onto its legs.
At least two adults are needed
for this step!



When turning the table over,
DO NOT rest the weight of
the table on only one side of
the legs.

Attach the (#33, #34, #35)
TOP RAILS using (#32)
SCREWS as shown.

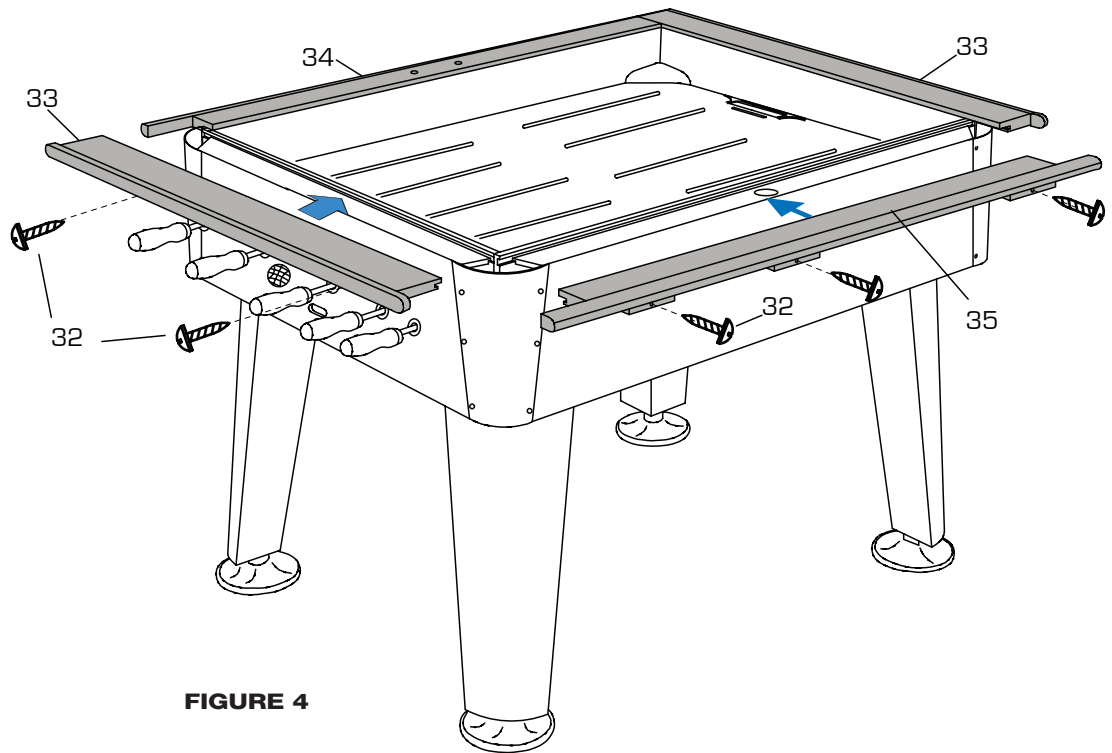
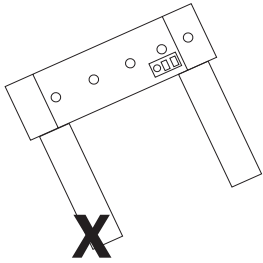


FIGURE 4

STEP 5

Attach the (#23, #24) PLASTIC WALLS and
(#22) POSTS using (#36) SCREWS and (#21)
WASHERS as shown.



It is very helpful to **ASSEMBLE ALL OF THE
SIDEBOARDS FIRST**, then place them onto the
ice. Line up one of the corner sections with the
predrilled holes, and secure. Work your way
around the rest of the table, to ensure that the
sideboards are level.

Place the (#17) GOALS and (#16) GOAL
BARRIERS onto the playing surface as shown.

Secure the (#18) PUCK CATCHERS to the end
panels as shown using (#20) SCREWS.

Finally, pull the puck sensors up through the rail
and insert into the bottom of the scoreboard,
then attach the (#19) SCOREBOARD to the
(#34) TOP SIDE RAIL using (#20) SCREWS as
shown.

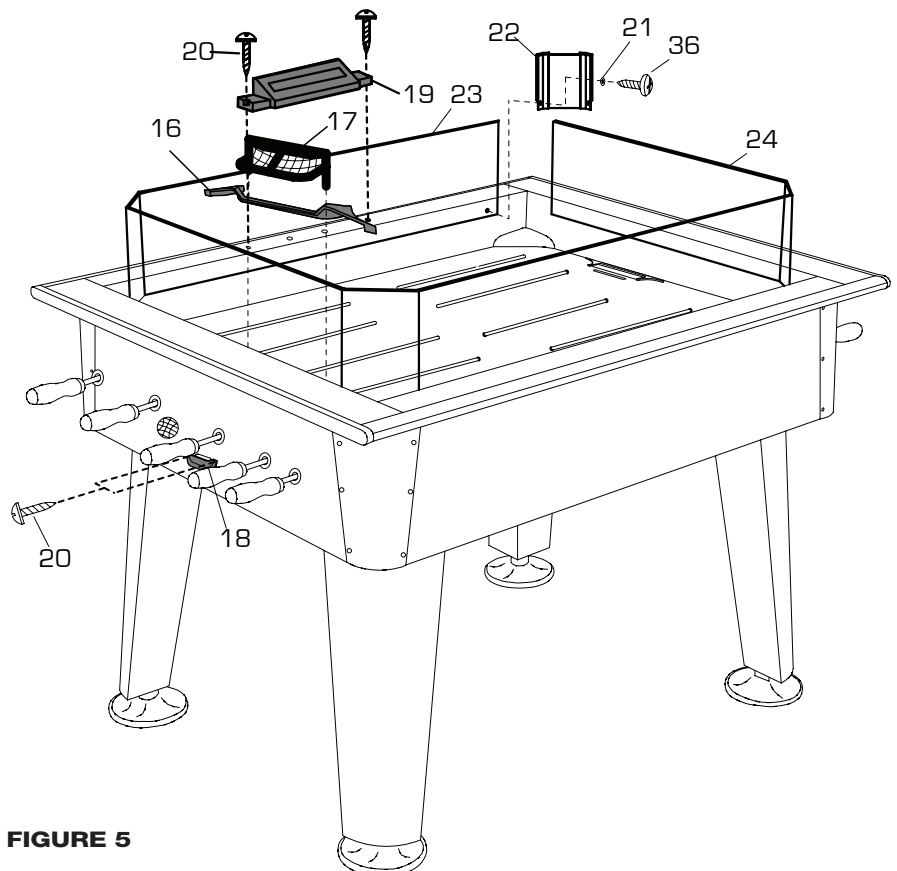


FIGURE 5

STEP 6

Place the players in the gear boxes that are just beneath the playing surface. Push them in until their sticks are just above the "ice".

You are now ready to play. To activate the scoreboard, plug one end of the adaptor into a wall outlet, and the other end into the back of the scoreboard. You can also use batteries for the scoreboard, which are not included.

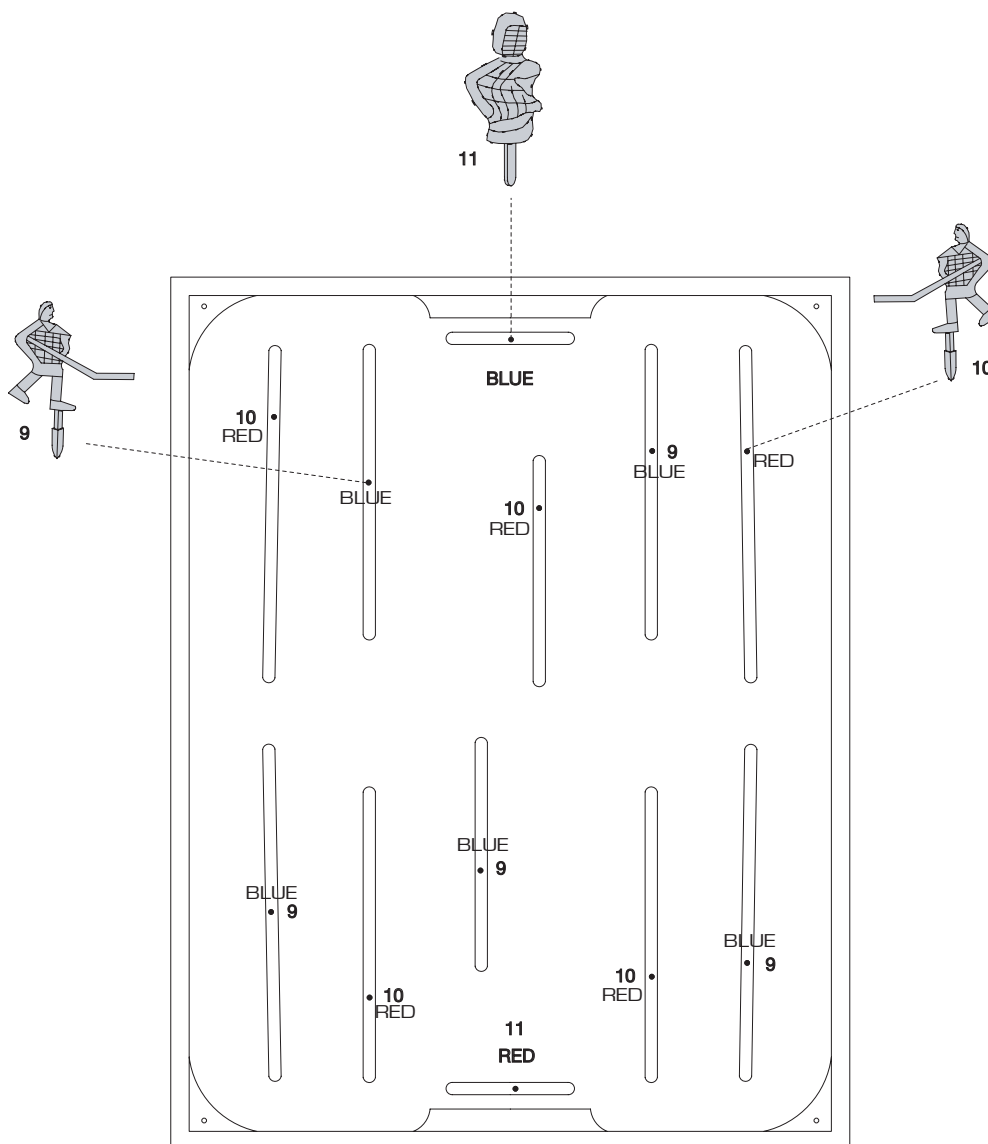


FIGURE 6

TROUBLESHOOTING

Model X6855

TROUBLESHOOTING	POSSIBLE CAUSES	SOLUTIONS
Scoreboard does not turn on, randomly resets itself, or resets the score during the game.	Adaptor is not plugged in.	Plug adaptor into wall, and other end into metal switchbox, the part on which the serial number is located.
Scoreboard lights up, but some of the LED's are out, making the numbers hard to read, or there is no sound.	Loose connection inside the scoreboard itself.	Remove the plastic 'cap' of the scoreboard to reveal the wires and circuitry inside. Check that all wires are connected.
	The scoreboard has short circuited.	Replace scoreboard.
Scoreboard does not register points made.	Puck sensors are not plugged in.	Make sure puck sensors are connected to the scoreboard as shown in Step 5.
	Puck sensor has short circuited.	Replace puck sensor.
"Wing" players can't reach the puck at the end of the table.	A medium player rod is in the "Wing" spot.	Check the positions of the rods, making sure you have the longest in the "wing" positions.
"Center" player keeps breaking at the base near the gear box.	A long player rod is in the "Center" spot, causing the player to hit the playing surface and break.	Check the positions of the rods, making sure you have the medium player rods in the "center" positions.
Goalie doesn't move from side to side completely.	Internal goalie "L" bracket was attached at the wrong angle.	See Step 2 in the assembly instructions.
Hockey player doesn't spin.	Nut and bolt that attaches the gear box to the rod has come loose.	Re-tighten the nut and bolt. Apply a small dab of clear nail polish or medium-grade Lock-Tite to the nut; this will prevent it from loosening up in the future.

WARRANTY INFORMATION

Model X6855

90-DAY LIMITED WARRANTY

Classic Sport Companies, Inc. warrants to the original consumer that the table is to be free from defects in workmanship or materials under normal use and conditions for a period of ninety (90) days from the date of original purchase.

PRODUCT REGISTRATION

Your table should be registered within 30 days from the date of original purchase. Registration may be submitted through the following means:

Phone: 1-800-225-5712
Website: www.classicsport.com
Mail: Classic Sport Companies, Inc.
Attn: Product Registration
5151 Bannock Street, Suite D
Denver, CO 80216

WARRANTY COVERAGE

Except as provided below, this Limited Warranty covers all defects in materials and workmanship on tables in a residential, single family home environment. This Warranty is void if the table is:

- damaged through unreasonable usage, negligence, misuse, abuse, acts of nature, transportation/ third party freight damage, or by accident
- used in commercial applications (store display models, etc.) or rentals
- subject to improper service

What is NOT covered: Light bulbs, accessories, cosmetic parts (graphics, laminates, polish) and other items that wear out with normal usage.

WARRANTY CLAIMS

If during the 90 day Limited Warranty period, any part or component of the table is found by Classic Sport Companies, Inc. to be defective, we will replace that part or component without charge (including non-expedited shipping and handling). Pictures of defects and a copy of the purchase receipt may be required for certain claims.

For all claims, please have your purchase receipt and model number readily available when contacting our Customer Relations Department:

Phone: 1-800-225-5712 (M-F 8:30 a.m. - 4:30 p.m. Mountain Time)
E-mail: info@classicsport.com
Mail: Classic Sport Companies Inc.
Customer Relations
5151 Bannock Street, Suite D
Denver, CO 80216

This warranty gives you specific legal rights, though you may have other rights that vary by state.

staple purchase receipt here

EASTON ATOMIC ROD HOCKEY

Model# X6855

Toll Free Customer Relations: 1-800-225-5712

E-mail: info@classicsport.com



Classic Sport Companies, Inc.

5151 Bannock St., Suite D

Denver, CO 80216

info@classicsport.com

1-800-225-5712

303-991-8010

Free Manuals Download Website

<http://myh66.com>

<http://usermanuals.us>

<http://www.somanuals.com>

<http://www.4manuals.cc>

<http://www.manual-lib.com>

<http://www.404manual.com>

<http://www.luxmanual.com>

<http://aubethermostatmanual.com>

Golf course search by state

<http://golfingnear.com>

Email search by domain

<http://emailbydomain.com>

Auto manuals search

<http://auto.somanuals.com>

TV manuals search

<http://tv.somanuals.com>