

QUICK START GUIDE

Thank you for purchasing
the ButtKicker Gamer.

This guide will help you to quickly set up your new ButtKicker system
with your PC or gaming console.

Contents:

- a. ButtKicker Gamer with Easy Clamp™ attachment mechanism
- b. 90 watt ButtKicker Power Amplifier BKA-130-C with optional base stand and wired remote
- c. 13.5' cable with quick release connecting ButtKicker Gamer to amplifier
- d. RCA and mini "Y" adapters
- e. 5' RCA to RCA cable and 5' RCA to mini cable
- f. Two Velcro® cables ties

a.



b.



c.



d.



e.



f.



ButtKicker®
Feel what you've been missing...

PC GAMING START HERE

Position the strain relief rubber band on the ButtKicker Gamer cable

1. Position the rubber strain relief on the ButtKicker® Gamer cable until it is approx. 6" away from the ButtKicker Gamer.
2. Pull the loop of the strain relief nearest to the ButtKicker Gamer tight.
3. Place the second loop about 8" further down the cable and pull it tight. (refer to figure 1)

Attach the ButtKicker Gamer to your center post chair

1. Raise the pneumatic lift on your chair (make the seat of the chair higher). Then, push down the sleeve covering the center post to expose the post. (refer to figure 2)
2. Loosen the knob on the arm of the ButtKicker Gamer and place the clamp around the post.
3. Tighten the knob and secure the ButtKicker Gamer in place on the chair seat. (refer to figure 2)
4. Use the supplied Velcro® cable wraps to tie the end of the ButtKicker Gamer cable to one leg of your seat. (refer to figure 3)

Position the ButtKicker Power Amplifier and connect to the ButtKicker Gamer

Do not turn on the amplifier until all of the connections are made!

1. Connect the long quick release cable to the short cable coming from the ButtKicker Gamer. (refer to large diagram & figure 3b) [Note that the cables may be disconnected using the quick release connector at any time if desired. HOWEVER, make sure the amplifier is turned OFF BEFORE disconnecting the cables.]
2. Connect the long quick release cable to the banana jacks on the back of the ButtKicker Power Amplifier. (+) connects to the red terminal, (-) connects to the black terminal.
3. Position the amplifier near the audio source (PC), and accessible to the user.
4. If desired, use the optional base stand to position the amplifier in an upright, verticle position.
5. Connect the power cord to the power terminal on the back of the ButtKicker Power Amplifier and then plug it into a power outlet.

Connecting the Audio Signal from the PC to the ButtKicker Power Amplifier

For a stereo or 4 channel sound card, insert the mini "Y" adaptor into the "line out" (usually a green jack). Connect the mini male end of the 5' mini to the RCA cable to one leg of the mini "Y" adaptor. Then connect either the red or black RCA male end of this cable to the "line level input" RCA input (White) on the back of the ButtKicker Power Amplifier.

Connect the signal cable for your speaker system to the other leg of the mini "Y" adaptor.

For a 5.1 sound card, insert the mini "Y" adaptor into the sub/center channel (usually an orange jack). Connect the mini male end of the 5' mini to RCA cable to one leg of the mini "Y" adaptor. Then connect the red or black RCA male end of this cable to the "line level input" RCA input (White) on the back of the ButtKicker Power Amplifier.

Connect the signal cable for your speaker system to the other leg of the mini "Y" adaptor.

For a multi-channel sound card with a digital output and a separate surround sound system, use the RCA "Y" adaptor to split the "sub out" output of your surround sound processor. Use the 5' RCA to RCA cable to connect one leg of the RCA "Y" adaptor to the "line level input" RCA input (White) on the back of the ButtKicker Power Amplifier, and connect the audio cable of your subwoofer to the other leg of the RCA "Y" adaptor.

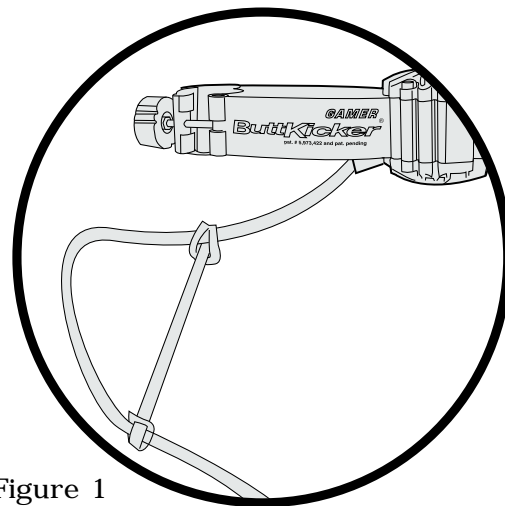


Figure 1

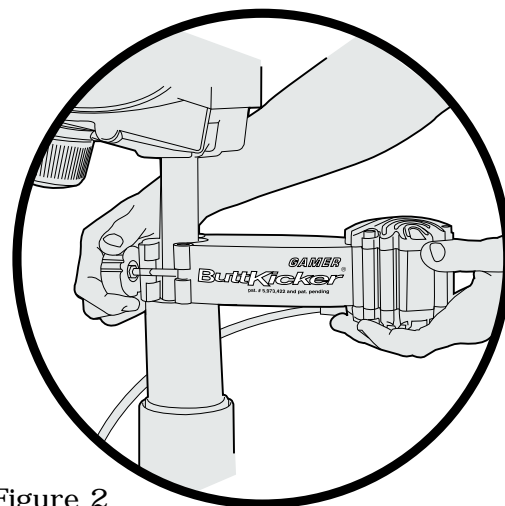


Figure 2

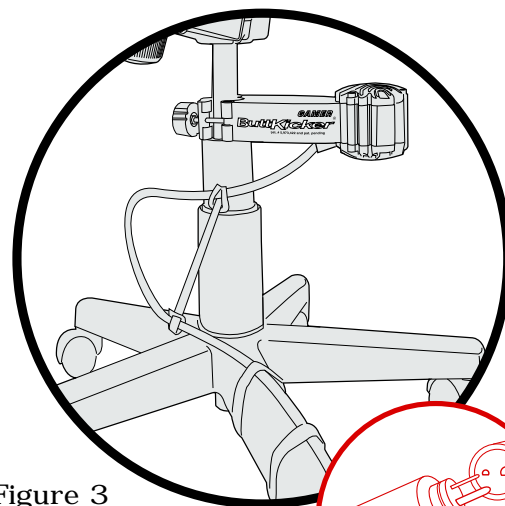


Figure 3

Figure 3b

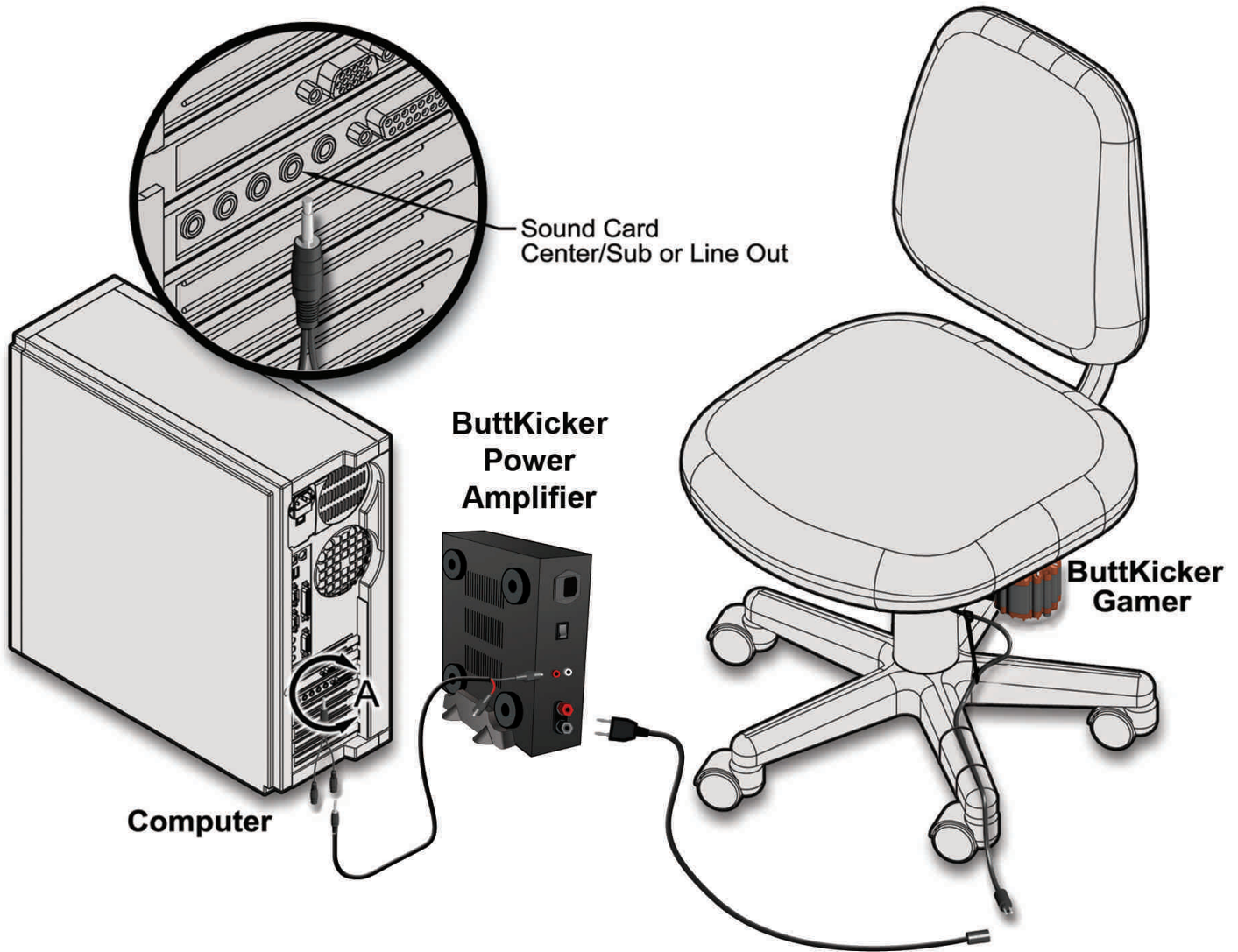
PLEASE NOTE:
THE QUICK CONNECT CABLE ONLY FITS ONE WAY.
Make sure pins are properly aligned with the large pin in the large hole and the small pin in the small hole.

PC SYSTEM ADJUSTMENT

1. Turn on the ButtKicker Power Amplifier.
2. Turn on your favorite game, music track, or movie.
3. Adjust the PC volume in the software as described in the Product Information Guide.
4. Adjust your speaker system to a usable listening volume.
5. Adjust the ButtKicker Power Amplifier. See the FAQ section on the back page for detailed information on common knob and switch settings.

6. If your chair has levers that rattle, jam foam under the lever or hang a bean bag on the handle.
7. Enjoy

PLEASE NOTE:
TURN OFF THE AMPLIFIER WHEN NOT IN USE.



BUTTKICKER GAMER PC GAMING INSTALLATION

ButtKicker[®]
Feel what you've been missing...

CONSOLE GAMING START HERE

Position the strain relief rubber band on the ButtKicker Gamer cable

1. Position the rubber strain relief on the ButtKicker® Gamer cable until it is approx. 6" away from the ButtKicker Gamer.
2. Pull the loop of the strain relief nearest to the ButtKicker Gamer tight.
3. Place the second loop about 8" further down the cable and pull it tight. (refer to figure 1)

Attach the ButtKicker Gamer to your center post chair

1. Raise the pneumatic lift on your chair (make the seat of the chair higher). Then, push down the sleeve covering the center post to expose the post. (refer to figure 2)
2. Loosen the knob on the arm of the ButtKicker Gamer and place the clamp around the post.
3. Tighten the knob and secure the ButtKicker Gamer in place on the chair seat. (refer to figure 2)
4. Use the supplied Velcro® cable to tie the end of the ButtKicker Gamer cable to one leg of your seat. (refer to figure 3)

Position the ButtKicker Power Amplifier and connect to the ButtKicker Gamer

**Do not turn on the amplifier until all
of the connections are made!**

1. Connect the long quick release cable to the short cable coming from the ButtKicker Gamer. (refer to large diagram & figure 3b) [Note that the cables may be disconnected using the quick release connector at any time if desired. HOWEVER, make sure the amplifier is turned OFF BEFORE disconnecting the cables.]
2. Connect the long quick release cable to the banana jacks on the back of the ButtKicker Gamer Amplifier. (+) connects to the red terminal, (-) connects to the black terminal.
3. Position the amplifier near the audio source (PC), and accessible to the user.
4. If desired, use the optional base stand to position the amplifier in an upright, verticle position.
5. If desired, plug the included wired ButtKicker Remote into the serial port on the front of the ButtKicker Power Amplifier.
5. Connect the power cord to the power terminal on the back of the ButtKicker Power Amplifier and then plug it into a power outlet.

Connecting the audio signal from the gaming console to the ButtKicker Power Amplifier

If the audio is hooked up using the standard R/L (red/white) audio cables, insert the red male RCA plug of the gaming console into the female end of the RCA "Y" adaptor. Then plug the red male RCA end of the RCA "Y" adaptor into your television or stereo system.

Connect the female end of the 5' RCA to RCA cable to the black male end of the RCA "Y" adaptor. Connect the male end of this cable to the "line level input" RCA input (White) on the back of the ButtKicker Power Amplifier.

For a gaming console hooked up to a separate surround sound system, use the RCA "Y" adaptor to split the "sub out" output of your surround sound processor. Use the 5' RCA to RCA cable to connect one leg of the RCA "Y" adaptor to the "line level input" RCA input (White) on the back of the ButtKicker Power Amplifier, and connect the audio cable of your subwoofer to the other leg of the RCA "Y" adaptor.

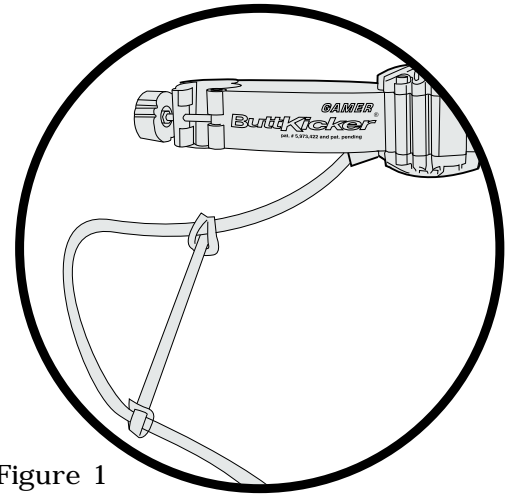


Figure 1

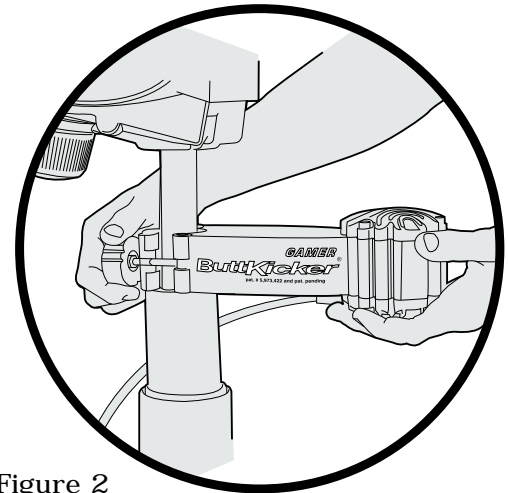


Figure 2

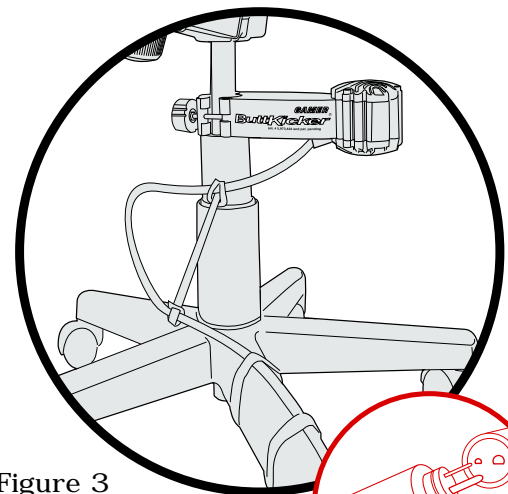


Figure 3

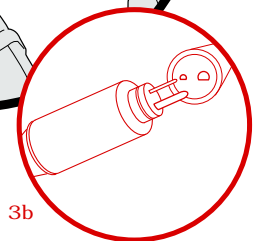


Figure 3b

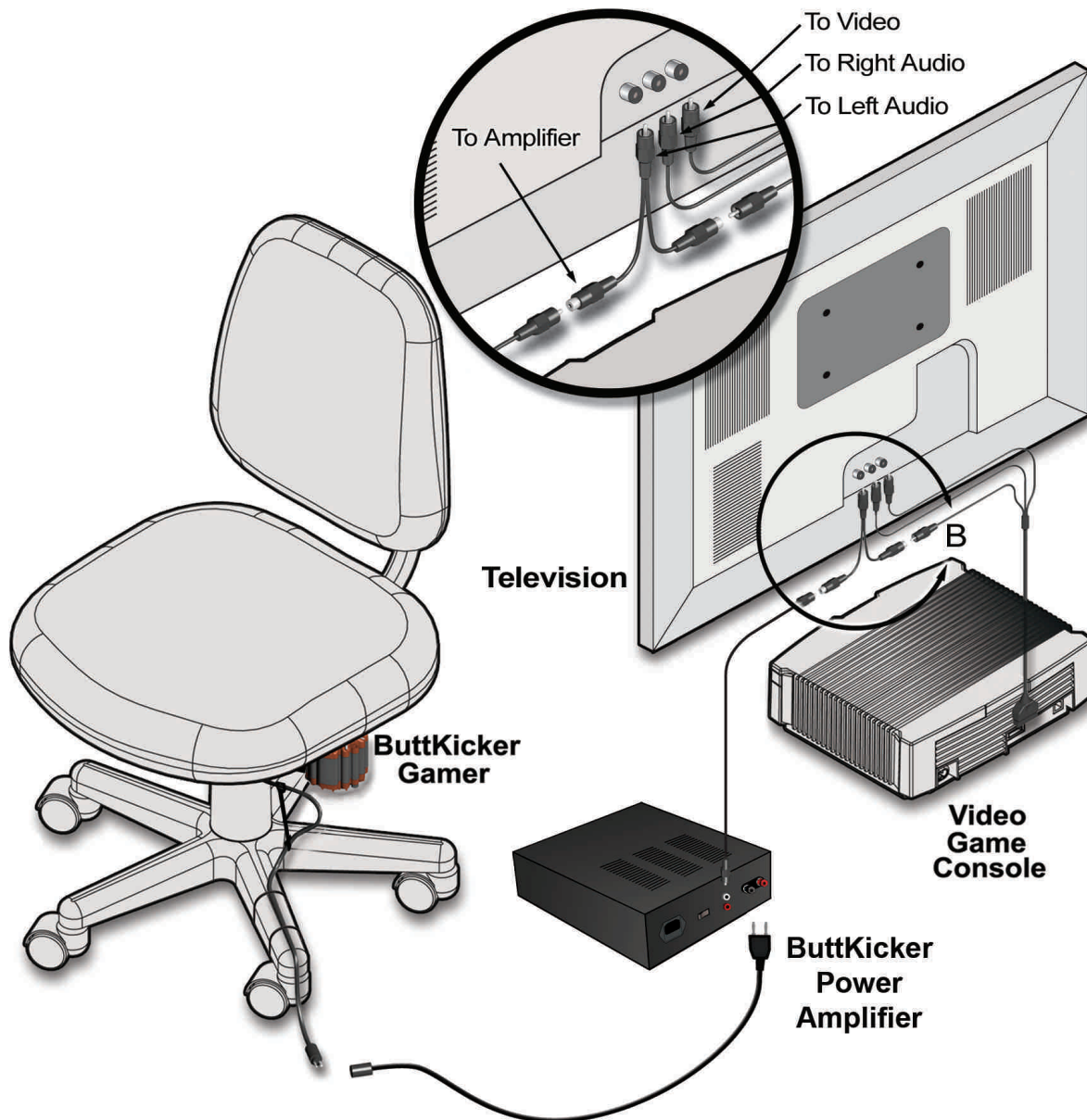
PLEASE NOTE:
THE QUICK CONNECT CABLE ONLY FITS ONE WAY.
Make sure pins are properly aligned with the large pin
in the large hole and the small pin in the small hole.

CONSOLE SYSTEM ADJUSTMENT

1. Turn on the ButtKicker Power Amplifier.
2. Turn on your gaming console and play your favorite game or movie.
3. Adjust the ButtKicker Power Amplifier. See the FAQ section on the back page for detailed information on common knob and switch settings.
4. If you are using your gaming console through a surround sound receiver, you may need to adjust the level of the subwoofer output to give more or less input signal to the ButtKicker Power Amplifier.

5. If your chair has levers that rattle, jam foam under the lever or hang a bean bag on the handle.
6. Enjoy!

PLEASE NOTE:
TURN OFF THE AMPLIFIER WHEN NOT IN USE.



BUTTKICKER GAMER CONSOLE GAMING INSTALLATION

ButtKicker[®]
Feel what you've been missing...



If you have questions or need technical support, please contact The Guitammer Company, not the store where you purchased the product.

The Guitammer Company
1-888-676-2828
8:30 AM - 5:30 PM EST

Email us at:
support@guitammer.com

Visit us on the web at:
www.thebuttkicker.com

FAQ's

Q. Everything is hooked up but I'm not getting any output from the ButtKicker® Gamer.

A. Here are a few things to check. Make sure that:

- The ButtKicker Power Amplifier is plugged in and turned on.
- All connections are firmly connected.
- Software is properly installed and functioning.
- Sound is not muted and volume is turned up.
- Your computer's sound card is turned up enough and the bass setting is set high enough. Refer to the "SOFTWARE VOLUME CONTROLS IN MICROSOFT WINDOWS®" section of the "Software and Hardware Gain Controls for PC" in the Product Information Guide.

Q. How should I set the switches and knobs on the front of the ButtKicker Power Amplifier?

A. The following are general guidelines:

Media	Low Cutoff Switch	High Cutoff Switch	High Cutoff Freq. Knob
Games	on	on	40 Hz
Music	on	off	disabled by the high cut switch
Movies	off	on	80 Hz

* Adjust the volume so that the ButtKicker Gamer meets your intensity preference.

Q. I get a lot of extra shaking even when there isn't any action in the game or movie. How can I get rid of this?

A. The ButtKicker Gamer is reacting to bass in the soundtrack. Turn on the high cut switch and dial the high cut knob down to a lower frequency. The extra shaking may also be eliminated by turning off the background music from the in-game settings menu.

Q. MY CHAIR RATTLES!?! How can I fix this problem?

A. The part that most often rattles is the lever that controls the pneumatic lift cylinder and/or tilt control. The rattle can be eliminated by jamming foam under the lever or by hanging a bean bag on the handle.

Q. What happens to the cables when I twist around in my seat?

A. There is a strain relief already attached to the ButtKicker Gamer cable which will allow you to spin around without immediately putting strain on the cable. Should the cable get wrapped around the center post more than just a few times, spin the chair back the other way until the cable is no longer twisted.

Q. At times I use my chair away from my desk, how can I do that with the cable attached?

A. The quick release on the ButtKicker Gamer cable allows the cable to easily disconnect at the base of the chair without having to remove the ButtKicker Gamer from your chair.

Q. I hear a knocking or banging noise coming from the ButtKicker Gamer?

A. That is the internal piston of the ButtKicker Gamer hitting the inside of the housing. Although this will not immediately harm the unit, you should turn the volume down (lower) on the ButtKicker Power Amplifier to avoid this "over driving" of the ButtKicker Gamer.

For more information, refer to the Product Information Guide.

Visit www.thebuttkicker.com for more FAQ's and details on other ButtKicker products and accessories.



THE GUITAMMER COMPANY
...leaders in low frequency sound...

ButtKicker®
Feel what you've been missing...

Free Manuals Download Website

<http://myh66.com>

<http://usermanuals.us>

<http://www.somanuals.com>

<http://www.4manuals.cc>

<http://www.manual-lib.com>

<http://www.404manual.com>

<http://www.luxmanual.com>

<http://aubethermostatmanual.com>

Golf course search by state

<http://golfingnear.com>

Email search by domain

<http://emailbydomain.com>

Auto manuals search

<http://auto.somanuals.com>

TV manuals search

<http://tv.somanuals.com>