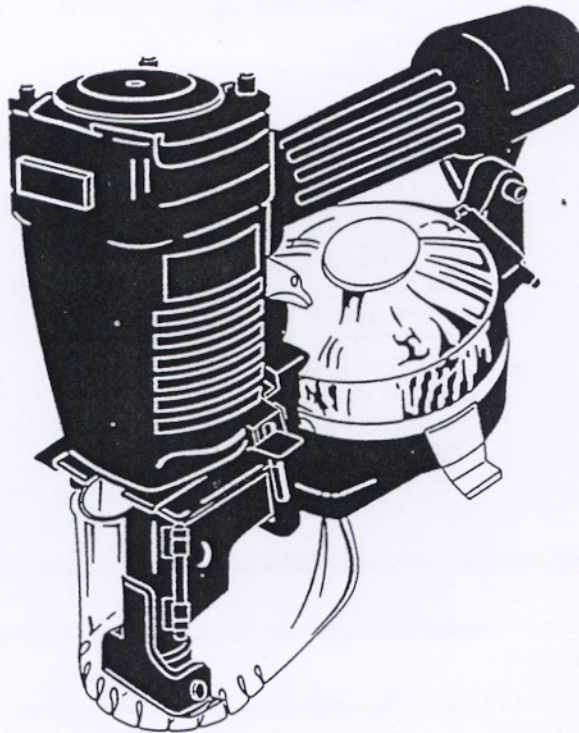


# CAMPBELL HAUSFELD®

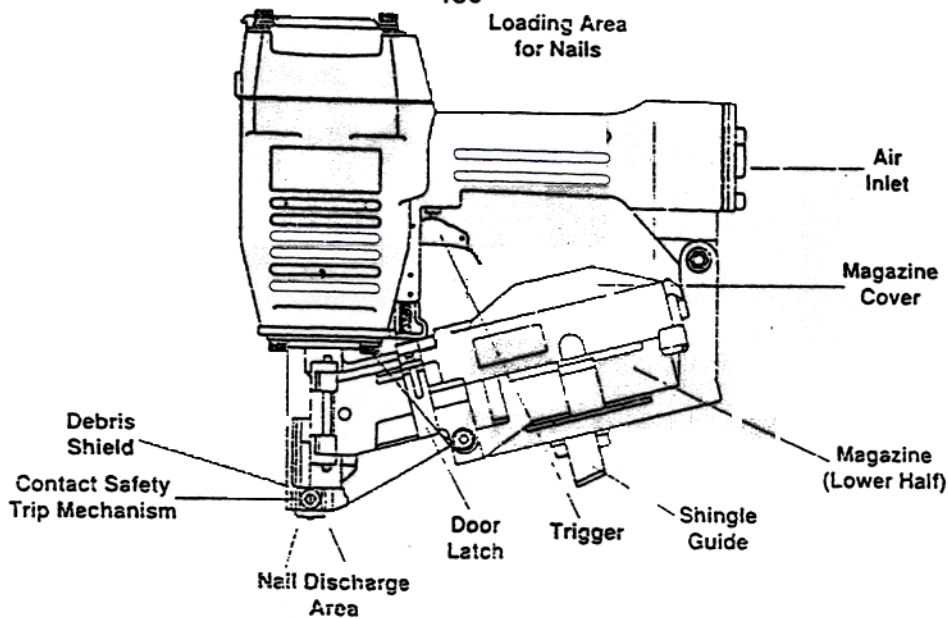
English

## Coil Roofing Nailer Model NC1545



Note: This manual IN 180300AV\* has been abridged, reduced or condensed for special inclusion in the service manual. VERSION: USA - ENGLISH

IN 180300AV



## Nailer Specifications

- REQUIRES 2.2 SCFM with 25 nails per minute @ 90 PSI
- AIR INLET 1/4" NPT
- NAIL SIZE RANGE 7/8" to 1 3/4"
- MAGAZINE CAPACITY 120 nails per load
- SHANK DIAMETER 120" Diameter
- WEIGHT 7 lbs , 2 oz
- LENGTH: 18 5/8"
- HEIGHT 10 1/2"
- MAXIMUM PRESSURE 115 PSI
- PRESSURE RANGE 70 - 115 PSI

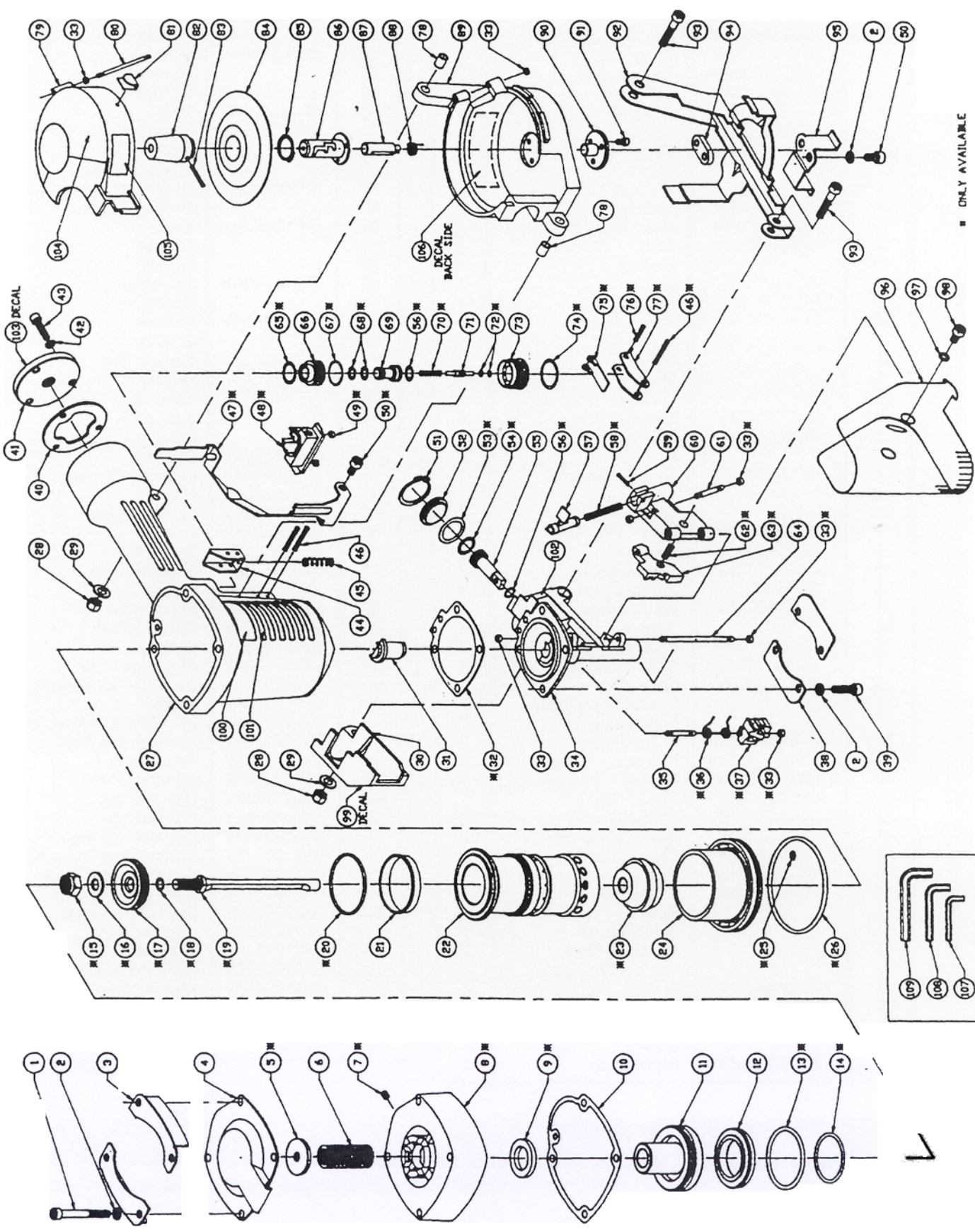
- ⚠ DANGER:** Indicates an imminently hazardous situation which, if not avoided, will result in death or serious injury
- ⚠ WARNING:** Indicates a potentially hazardous situation which, if not avoided, will result in death or serious injury
- ⚠ CAUTION:** Indicates a potentially hazardous situation which, if not avoided, may result in minor or moderate injury. This symbol may also alert the user to unsafe practices
- ⚠ NOTE:** Alerts the operator to useful information

The operator of this Nailer must take the necessary precautions to prevent the level of danger indicated by these symbols. The operator is also required to read and understand this instruction manual and all safety warnings, labels, etc

Any employer allowing the use of this Nailer in their field of work must distribute this instruction manual to all users. The employer must also ensure all users read, understand and follow the instructions as described in the manual, safety warnings, labels, etc



# Coil Roofing Nailer Model NC 545 Exploded View



# Coil Roofing Nailer Model NC1545 - Parts List

| Key No. | Part No.    | Description        | Qty. |
|---------|-------------|--------------------|------|
| 1       | SV200100AV  | Hex Soc. Hd. Bolt  | 4    |
| 2       | SV108000AV  | Spring Washer      | 10   |
| 3       | SV200300AV  | Guide Cover        | 2    |
| 4       | SV200400AV  | Deflector          | 1    |
| 5       | .           | Seal               | 1    |
| 6       | SV200600AV  | Spring             | 1    |
| 7       | .           | Screw              | 1    |
| 8       | .           | Cap                | 1    |
| 9       | .           | O-Ring             | 1    |
| 10      | SV200900AV  | Gasket             | 1    |
| 11      | SV201000AV  | Head Valve Piston  | 1    |
| 12      | SV201100AV  | Collar             | 1    |
| 13      | .           | O-Ring             | 1    |
| 14      | .           | O-Ring             | 1    |
| 15      | .           | Locknut            | 1    |
| 16      | .           | Plate Washer       | 1    |
| 17      | .           | Piston             | 1    |
| 18      | .           | O-Ring             | 1    |
| 19      | .           | Driver             | 1    |
| 20      | .           | O-Ring             | 1    |
| 21      | SV202000AV  | Cylinder Ring      | 1    |
| 22      | SV202100AV  | Cylinder           | 1    |
| 23      | .           | Bumper             | 1    |
| 24      | SV202300AV  | Cylinder Spacer    | 1    |
| 25      | .           | O-Ring             | 1    |
| 26      | .           | O-Ring             | 1    |
| 27      | SV202600AV  | Body               | 1    |
| 28      | SV103300AV  | Locknut            | 2    |
| 29      | SV202700AV  | Plate Washer       | 2    |
| 30      | SV202800AV  | Safety Cover       | 1    |
| 31      | SV202900AV  | Blade Guide        | 1    |
| 32      | .           | Gasket             | 1    |
| 33      | *SV203100AV | Shaft Ring         | 7    |
| 34      | SV203200AV  | Nose Piece         | 1    |
| 35      | SV203300AV  | Feed Pin           | 1    |
| 36      | .           | Feed Finger Spring | 1    |
| 37      | .           | Feed Finger        | 1    |
| 38      | SV203600AV  | Guide Bulb         | 2    |
| 39      | SV203700AV  | Hex Soc. Hd Bolt   | 4    |
| 40      | SV203800AV  | Gasket             | 1    |
| 41      | SV203900AV  | Nipple Cap         | 1    |
| 42      | SV100400AV  | Spring Washer      | 3    |
| 43      | SV100500AV  | Hex Soc. Hd Bolt   | 3    |
| 44      | SV204000AV  | Safety Guide       | 1    |
| 45      | SV204100AV  | Spring             | 1    |
| 46      | *SV105000AV | Spring Pin         | 3    |
| 47      | .           | Safety             | 1    |
| 48      | .           | Safety Guide       | 1    |
| 49      | .           | Tungsten Steel     | 2    |
| 50      | .           | Hex Soc. Hd Bolt   | 4    |
| 51      | SV204600AV  | O-Ring             | 1    |
| 52      | SV204700AV  | Feed Spring Cap    | 1    |
| 53      | .           | O-Ring             | 1    |
| 54      | .           | O-Ring             | 1    |
| 55      | SV205000AV  | Feed Piston        | 1    |

| Key No. | Part No.   | Description                 | Qty. |
|---------|------------|-----------------------------|------|
| 56      | .          | O-Ring                      |      |
| 57      | SV205100AV | Door Latch                  |      |
| 58      | .          | Latch Spring                |      |
| 59      | SV205300AV | Spring Pin                  |      |
| 60      | SV205400AV | Door                        |      |
| 61      | SV205500AV | Stopper Finger Pin          |      |
| 62      | .          | Spring                      |      |
| 63      | .          | Stopper Finger              |      |
| 64      | SV205800AV | Door Shaft Pin              |      |
| 65      | .          | O-Ring                      |      |
| 66      | SV103800AV | Valve                       |      |
| 67      | .          | O-Ring                      |      |
| 68      | .          | O-Ring                      |      |
| 69      | SV104100AV | Valve Plunger               |      |
| 70      | .          | Spring                      |      |
| 71      | SV104400AV | Plunger                     |      |
| 72      | .          | O-Ring                      |      |
| 73      | SV104600AV | Plunger Cap                 |      |
| 74      | .          | O-Ring                      |      |
| 75      | .          | Secondary Trigger           |      |
| 76      | .          | Spring Pin                  |      |
| 77      | .          | Primary Trigger             |      |
| 78      | SV206000AV | Bushing                     |      |
| 79      | SV206100AV | Magazine Cover              |      |
| 80      | SV206200AV | Pin                         |      |
| 81      | SV206300AV | Protection Unit             |      |
| 82      | SV206400AV | Spacer                      |      |
| 83      | SV206500AV | Spring Pin                  |      |
| 84      | SV206600AV | Magazine Shield             |      |
| 85      | SV206700AV | O-Ring                      |      |
| 86      | SV206800AV | Adjust Post                 |      |
| 87      | SV206900AV | Tension Post                |      |
| 88      | SV207000AV | Spring                      |      |
| 89      | SV207100AV | Magazine Case               |      |
| 90      | SV207200AV | Tension Post Bushing        |      |
| 91      | SV207300AV | Screw                       |      |
| 92      | SV207400AV | Magazine Guide              |      |
| 93      | SV207500AV | Hex Soc Hd Bolt             |      |
| 94      | SV207600AV | Adjusting Nut               |      |
| 95      | SV207700AV | Adjusting Plate             |      |
| 96      | SV207800AV | Debris Shield               |      |
| 97      | SV207900AV | Flat Washer                 |      |
| 98      | SV208000AV | Hex Soc Hd Bolt             |      |
| 99      | DK319000AV | Debris Shield Warning Decal |      |
| 100     | DK319100AV | C-H Pro Logo Decal          |      |
| 101     | DK319200AV | Color Code Decal            |      |
| 102     | DK320500AV | Nail Length Decal           |      |
| 103     | DK178700AV | Oil Daily Decal             |      |
| 104     | DK318400AV | S/N Plate                   |      |
| 105     | DK320600AV | Nail Adjustment Decal       |      |
| 106     | DK318700AV | Warning Decal               |      |
| 107     | SV109300AV | 3 mm Hex Wrench             |      |
| 108     | SV109400AV | 4 mm Hex Wrench             |      |
| 109     | SV109500AV | 5 mm Hex Wrench             |      |

\* Available as kits or assemblies only. See page 23.

Note: All screws, nuts, bolts, etc. are metric.

O-Rings, Springs, Bumpers, Debris Shield and Driver are considered normal wear items - (See Warranty - Page 28, item 6E).

## Coil Roofing Nailer Model NC1545 - Parts Kits &amp; Assemblies

## Parts Kits

| Includes Key Nos. | Description          | Part No.   | Qty. |
|-------------------|----------------------|------------|------|
| -                 | * Piston O-Ring Kit  | SV154580AV | -    |
| 5                 | Seal                 |            | 1    |
| 9                 | O-Ring               |            | 1    |
| 13                | O-Ring               |            | 1    |
| 14                | O-Ring               |            | 1    |
| 20                | O-Ring               |            | 1    |
| 25                | O-Ring               |            | 1    |
| 26                | O-Ring               |            | 1    |
| -                 | * Feeder Repair Kit  | SV154583AV | -    |
| 33                | Shaft Ring           |            | 5    |
| 36                | Feed Finger Spring   |            | 1    |
| 37                | Feed Finger          |            | 1    |
| 53                | O-Ring               |            | 1    |
| 54                | O-Ring               |            | 1    |
| 56                | O-Ring               |            | 1    |
| 58                | Latch Spring         |            | 1    |
| 62                | Spring               |            | 1    |
| 63                | Stopper Finger       |            | 1    |
| -                 | * Trigger O-Ring Kit | SV154582AV | -    |
| 56                | O-Ring               |            | 1    |
| 65                | O-Ring               |            | 1    |
| 67                | O-Ring               |            | 1    |
| 68                | O-Ring               |            | 2    |
| 70                | Spring               |            | 1    |
| 72                | O-Ring               |            | 2    |
| 74                | O-Ring               |            | 1    |
| -                 | * Driver Kit         | NP154599AV | -    |
| 14                | O-Ring               |            | 1    |
| 15                | Locknut              |            | 1    |
| 16                | Plate Washer         |            | 1    |
| 17                | Piston               |            | 1    |
| 18                | O-Ring               |            | 1    |
| 19                | Driver               |            | 1    |
| -                 | * Bumper Kit         | NP154597AV | -    |
| 23                | Bumper               |            | 1    |
| 32                | Gasket               |            | 1    |

## Assemblies

| Includes Key Nos. | Description        | Part No.   | Qty. |
|-------------------|--------------------|------------|------|
| -                 | * Trigger Assembly | SV108900AV | -    |
| 46                | Spring Pin         |            | 1    |
| 75                | Secondary Trigger  |            | 1    |
| 76                | Spring Pin         |            | 1    |
| 77                | Primary Trigger    |            | 1    |
| -                 | * Cap Assembly     | SV208200AV | -    |
| 7                 | Screw              |            | 1    |
| 8                 | Cap                |            | 1    |
| -                 | * Safety Assembly  | SV208300AV | -    |
| 47                | Safety             |            | 1    |
| 48                | Safety Foot        |            | 1    |
| 49                | Tungsten Steel     |            | 2    |
| 50                | Hex Soc.Hd Bolt    |            | 4    |

\* Complete O-Ring Kit NP154598AV Consists of: Piston O-Ring Kit SV154580AV  
Trigger O-Ring Kit SV154582AV

# Fasteners

The following Campbell Hausfeld coil roofing nails are available at local retail stores. If you need help locating any item, call customer service at 1-800-543-6400 between 8 A.M. and noon or between 1 P.M. and 5 P.M. (Eastern Time Zone), Monday through Friday. Campbell Hausfeld nails meet or exceed Federal Specifications FF-N-105B.

| Model #  | Length | Shank Size | Shank Type | Point   | Finish     | Head       | Collation | Nails per Coil |
|----------|--------|------------|------------|---------|------------|------------|-----------|----------------|
| FC152200 | 7/8"   | .120"      | Smooth     | Diamond | Galvanized | Full-round | Wire-Weld | 120            |
| FC152500 | 1"     | .120"      | Smooth     | Diamond | Galvanized | Full-round | Wire-Weld | 120            |
| FC153000 | 1 1/4" | .120"      | Smooth     | Diamond | Galvanized | Full-round | Wire-Weld | 120            |
| FC154000 | 1 1/2" | .120"      | Smooth     | Diamond | Galvanized | Full-round | Wire-Weld | 120            |
| FC154500 | 1 3/4" | .120"      | Smooth     | Diamond | Galvanized | Full-round | Wire-Weld | 120            |

## Interchange Information

Nails used in the Campbell Hausfeld NC1545 Coil Roofing Nailer will also work in Bostitch N12B, Senco SCN200R, and Hitachi NV 45AB.


## COLORMATCH™ system

Your Campbell Hausfeld Coil Roofing Nailer has a unique green COLORMATCH™ stripe. Look for the same green COLORMATCH™ stripe on Campbell Hausfeld nail boxes. Simply match the two color stripes to choose the right nails for your coil roofing nailer.

## Nailer Repair

Repairs on the nailer **must** be performed by qualified and experienced service people **ONLY**.

## Replacement Parts

|  |   |
|--|---|
|  <b>WARNING</b> | Use only genuine Campbell Hausfeld replacement parts. Never substitute parts. Do not use modified parts or parts which will not give equivalent performance to the original equipment. When ordering replacement parts, specify by part number. |
|--|---|

## Assembly Procedure for Seals

When repairing a nailer, the internal parts must be cleaned and lubricated. Parker O-lube or equivalent must be used on all O-rings. Each O-ring must be coated with O-lube before assembling. A small amount of oil must be used on all moving surfaces and pivots. After reassembling, a few drops of Unocal RX22 oil or equivalent, must be added through the air line before testing.

## Free Manuals Download Website

<http://myh66.com>

<http://usermanuals.us>

<http://www.somanuals.com>

<http://www.4manuals.cc>

<http://www.manual-lib.com>

<http://www.404manual.com>

<http://www.luxmanual.com>

<http://aubethermostatmanual.com>

Golf course search by state

<http://golfingnear.com>

Email search by domain

<http://emailbydomain.com>

Auto manuals search

<http://auto.somanuals.com>

TV manuals search

<http://tv.somanuals.com>