

Please record Model No. and Serial No. for use when contacting the manufacturer:

Model No. _____ Purchase date _____

Serial No. _____ Purchase place _____

For Information About This Product, call 1-800-330-0712



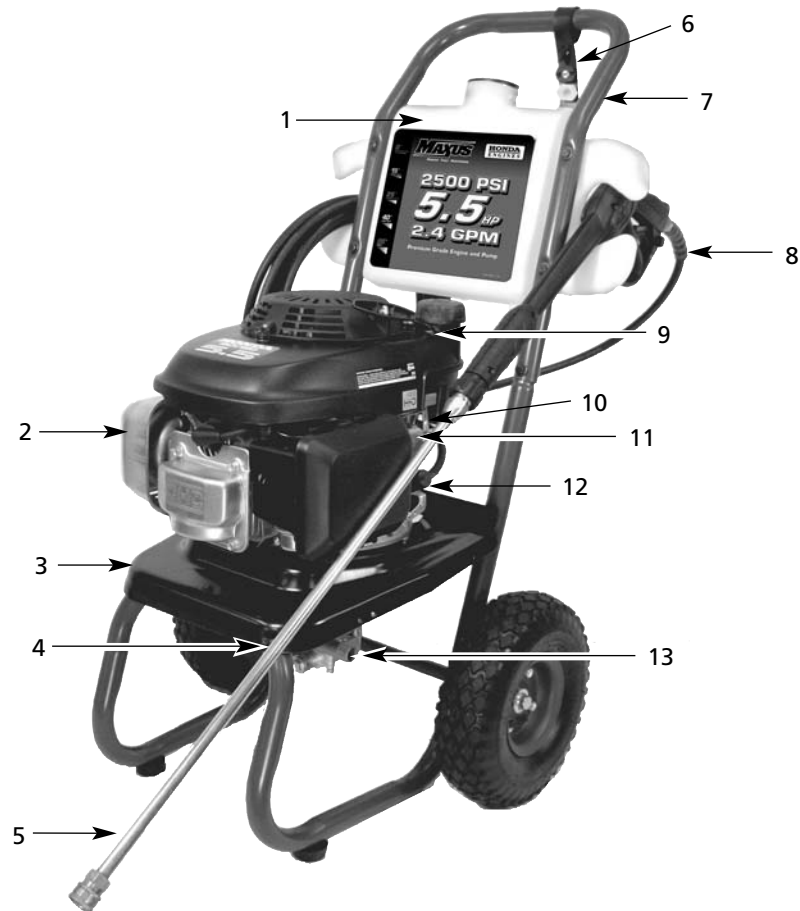
Model PW2515

Contents	Page
Getting To Know Your Pressure Washer	2
Frequently Asked Questions	3
Safety and Warning Information	4
Pre-Operation	5 - 6
Operation	6 - 9
Maintenance and Technical Information	10
Service Record	11
Replacement Parts Lists	
• Pump	12
• Cart	13
Troubleshooting Chart	14
Warranty	16

Carefully read and understand these instructions before operating your pressure washer.

REMINDER: Keep your dated proof of purchase for warranty purposes! Attach it to this manual or file it for safekeeping.

Getting To Know Your Pressure Washer



PW2515

- | | | | |
|---|---|----|---|
| 1 | Detergent Tank | 9 | Fuel Tank |
| 2 | Muffler | 10 | Choke |
| 3 | Location of Serial Number/Product Decal | 11 | Engine switch - On/Off |
| 4 | (Pump) Inlet Connection for Garden Hose | 12 | Fuel Valve - On/Off |
| 5 | Lance with Quick Connect | 13 | (Pump) Outlet Connection for High Pressure Hose |
| 6 | Tip Holder with Spray Tips | | |
| 7 | Handle | | |
| 8 | Gun with trigger | | |

Frequently Asked Questions

How do I start my pressure washer?

1. Make sure you have gas and oil in the engine. The engine DOES NOT COME FILLED WITH OIL.
2. Turn the water on, then trigger the gun to make sure the water will flow smoothly out of the tip.
3. Open the fuel shutoff valve by turning the knob counterclockwise until it stops.
4. Close the choke (if engine is cold) by moving the choke ring fully to the right.
5. Set the shut off switch to "ON."
6. Pull the trigger (to relieve any back pressure in the pump) while pulling the starter cord.

What type of oil do I use?

ENGINE DOES NOT COME FILLED WITH OIL: See Page 10 for engine oil types, quantities, and oil changing instructions.

Pump: The pump comes filled with the correct amount of oil and should not need changing or filling.

Why don't I have any water pressure?

- Is the water hose attached to the pressure washer?
- Is the water turned on?
- Check for any kinks, leaks, or blockage in the hoses, fittings, or the nozzle.
- Is the 15° (yellow) spray tip inserted into the end of the lance (See Page 8)?
- Is the inlet filter screen free of debris? Check and remove debris if needed.

How do I get high pressure?

- For high pressure, insert the 15° (yellow) spray tip into the end of the lance (See Page 8).

How do I get the soap suction to work?

1. Connect the clear plastic chemical suction tube to the plastic hose barb on detergent tank.
2. Fill the detergent tank with detergent formulated for use with pressure washers.
3. To spray soap, insert the 65° (black) soap spray tip into the end of the lance (see page 8).

Why doesn't the pressure washer apply detergents with high pressure?

Detergents "bounce" off cleaning surfaces as fast as they are applied. The pressure washer's features allow for a detergent to be drawn while in low pressure mode only. By applying detergent at low pressure, the effect of "bouncing" is reduced. Also, detergents are only effective when time is allowed for them to work on the surface of whatever is being cleaned. After applying the detergent, wait 1-3 minutes while it works, and then proceed to rinse the surface with high pressure.

What maintenance do I need to perform on my pressure washer?

1. After turning off the pressure washer and the water, depressurize the hose by triggering the gun.
2. Remove the garden hose and high pressure hose from the pump.
3. Pull the start rope slowly five times to purge water from the pump. This will help protect the pump from damage.
4. Do not store your pressure washer in an area where the temperature will drop below 32° F.
5. Follow proper storage and winterizing instructions found on page 9.

What do I do if I'm missing a part?

Call Campbell Hausfeld at 1-800-330-0712 and we will promptly replace your missing parts. **DO NOT RETURN THE PRESSURE WASHER TO THE RETAILER!**

Where can I buy accessories for my pressure washer?

- If you can't find accessories at the store where you purchased your pressure washer, call Campbell Hausfeld at 1-800-330-0712 or visit our website at www.chpower.com.

Who do I call if I have questions or problems?

**Call Campbell Hausfeld at
1-800-330-0712 (U.S.A.)**

Safety and Warning Information

Safety Guidelines

This manual contains information that is very important to know and understand. This information is provided for SAFETY and to PREVENT EQUIPMENT PROBLEMS. To help recognize this information, observe the following symbols.

⚠ DANGER *Danger indicates an imminently hazardous situation which, if not avoided, WILL result in death or serious injury.*

⚠ WARNING *Warning indicates a potentially hazardous situation which, if not avoided, COULD result in death or serious injury.*

⚠ CAUTION *Caution indicates a potentially hazardous situation which, if not avoided, MAY result in minor or moderate injury.*

NOTICE *Notice indicates important information, that if not followed, may cause damage to equipment.*

NOTE: Information that requires special attention.

Important Safety Instructions

SAVE THESE INSTRUCTIONS

⚠ WARNING

When using this product, basic precautions should always be followed, including the following:

1. Read all instructions before using the product.
2. To reduce the risk of injury, close supervision is necessary when the product is used near children.
3. Follow all safety codes as well as the Occupational Safety and Health Act (OSHA).
4. Ensure safety devices are operating properly before each use. DO NOT remove or modify any part of the gun or unit.
5. Know how to stop this product and bleed pressure quickly. Be thoroughly familiar with the controls.
6. Stay alert – watch what you are doing.
7. Do not operate the product when fatigued or under the influence of alcohol or drugs.
8. Keep operation area clear of all persons.
9. Do not overreach or stand on unstable support. Keep good footing and balance at all times.
10. Follow the maintenance instructions specified in the manual.

⚠ WARNING *Risk of injection or severe injury. Keep clear of nozzle. Do not discharge streams at persons. This product is to be used only by trained operators. Always remove lance from gun before cleaning debris from tip.*

- Keep clear of nozzle. NEVER direct high pressure spray at a person, animal, or yourself.
- Always wear safety glasses or goggles and protective equipment (hearing protection, gloves, rubber boots, protective clothing) when operating or performing maintenance.
- Never put hand or fingers over the spray tip while operating the unit.
- Never try to stop or deflect leaks with any body part.
- Always engage the trigger safety latch in the safe position when spraying is stopped even if only for a few moments.

- Always follow detergent manufacturer's label recommendations for proper use of detergents. Always protect eyes, skin, and respiratory system from detergent use.

⚠ WARNING *Do not use pressure that exceeds the operating pressure of any of the parts (hoses, fittings, etc.) in the pressurized system. Ensure all equipment and accessories are rated to withstand the maximum working pressure of the unit.*

⚠ WARNING *Explosion hazard.*

- NEVER spray flammable liquids or use pressure washer in areas containing combustible dust, liquids, or vapors.
- Never operate this machine in a closed building or in or near an explosive environment.
- Do not remove fuel tank cap or fill fuel tank while engine is hot or running (allow engine to cool two minutes before refueling). Always fill the tank slowly.
- Never disconnect the high pressure discharge hose from the machine while the system is pressurized. To depressurize machine, turn power and water supply off, then press the gun trigger 2-3 times.
- Never permanently engage the trigger mechanism on the gun.
- Never operate the machine without all components properly connected to the machine (handle, gun/wand assembly, nozzle, etc.).

NOTICE *Equipment damage.*

- ALWAYS turn water supply "ON" before turning pressure washer "ON." Running pump dry causes serious damage.
- Do not operate the pressure washer with the inlet water screen removed. Keep screen clear of debris and sediment.
- NEVER operate pressure washer with broken or missing parts. Check equipment regularly and repair or replace worn or damaged parts immediately.
- Use only the nozzle supplied with this machine.
- Never leave the wand unattended while the machine is running.
- Never tamper with the engine governor or attempt to alter factory settings. Altering factory settings could damage the unit and will void the warranty.
- Always hold gun and wand firmly when starting and operating the machine.
- NEVER allow the unit to run with the trigger released (off) for more than one minute. Resulting heat buildup will damage the pump.
- NEVER store the pressure washer outdoors or where it could freeze. Freezing temperatures can seriously damage the pump.
- Release the trigger when changing from high to low pressure modes. Failure to do so could result in damage to the nozzle.

⚠ CAUTION *Keep hose away from sharp objects. Bursting hoses may cause injury. Examine hoses regularly and replace if damaged. Do not attempt to mend a damaged hose.*

Pre-Operation

UNPACKING

Remove the equipment and all parts from the carton. The carton should contain the following.

- One pressure washer (pump, engine, cart base)
- One cart handle assembly
- One detergent tank
- One spray gun
- One lance
- One tip holder with 2 spray tips.
Additional tips available for purchase, see Page 13
- One high pressure hose
- One pack of nuts, bolts, and manuals
- One bottle of engine oil

If any parts are missing, **DO NOT RETURN THE UNIT TO THE RETAILER**. Know the unit's model number (located on the serial number tag on the pressure washer frame) and call 1-800-330-0712 for replacement parts.

After unpacking the product, inspect it carefully for any damage that may have occurred during transit. Make sure to tighten fittings and bolts before using the pressure washer.

WARNING *Do not operate the unit if it's damaged during shipping, handling, or use. Damage could result in bursting and cause injury or property damage.*

ASSEMBLY

Use two adjustable or 7/16" wrenches to assemble the pressure washer.

1. Slide the handle assembly over the lower legs of the cart base. Use the supplied nuts and bolts to secure the handle to the legs. See Figure 1.

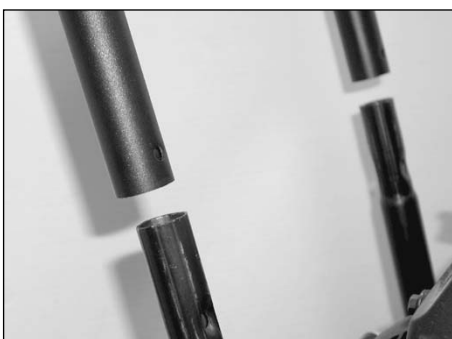


Figure 1 - Assemble Handle

2. Attach detergent tank to backside of handle. Use the 4 hex bolts with flat washer under hex head and 4 nuts provided.
3. Slide clear plastic hose attached to leg onto plastic hose barb of detergent tank (see Figure 3).
4. **Brass Swivel Adaptor** (See Figure 2). If it's not already attached to the pump inlet, assemble the brass swivel adaptor and attach it to the pump inlet (See Figure 4 and Figure 5). Be

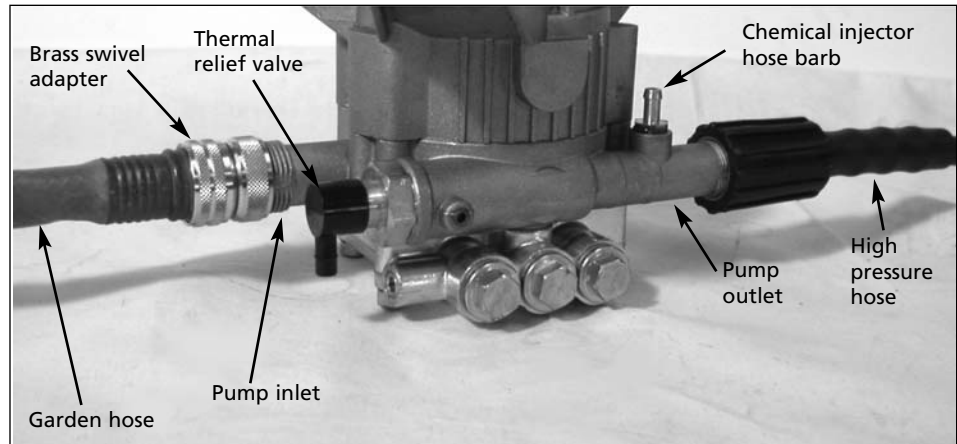


Figure 2 - Pump hook up



Figure 3 - Attach suction tube to barb fitting

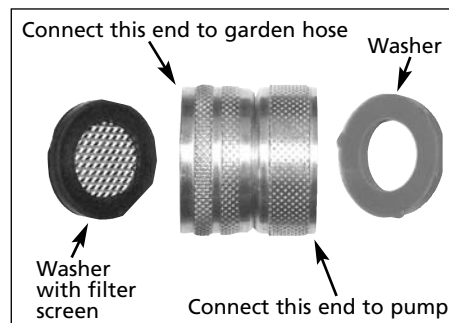


Figure 4 - Brass swivel adapter

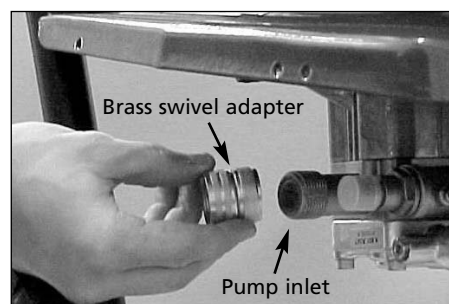


Figure 5 - Connect the brass swivel to the pump

sure to connect the correct side of the brass swivel adaptor to the pump.

5. Secure garden hose (not included) to the inlet connection on pump.

Pre-Operation (Continued)



Figure 6 - Connect high pressure hose to pump

- 6. Connect the high pressure hose to the pump outlet (See Figures 2 and 6).
- 7. Attach the lance to the gun (see Figure 7).

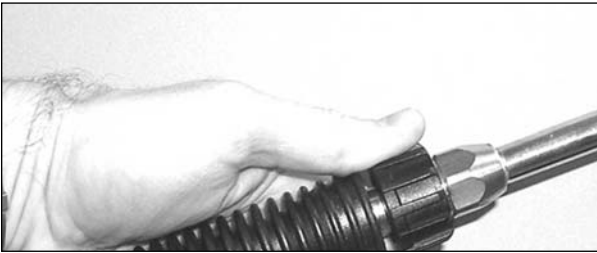


Figure 7- Attach lance to gun

- 8. Install quick connect tip by pulling back on collar and pressing in tip. Release collar, make sure it completely returns to its forward position and tip is secure (see Figure 8).

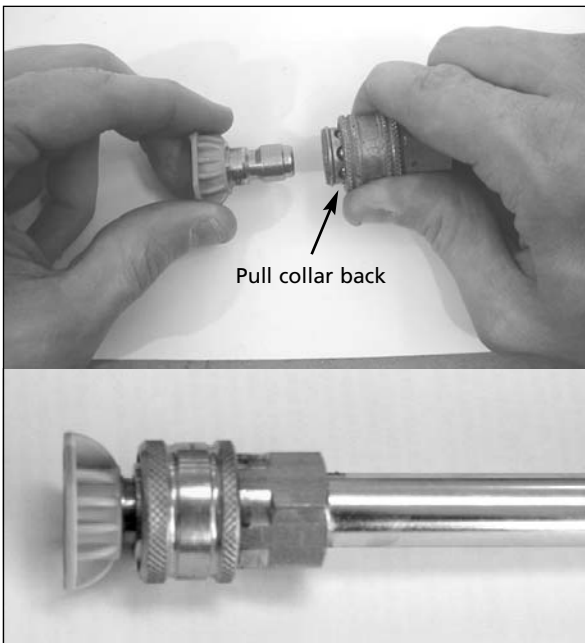


Figure 8 - Installing Quick Connect Tip

- 9. Install quick connect tips to tip holder and secure to the pressure washer handle. See Figure 9.

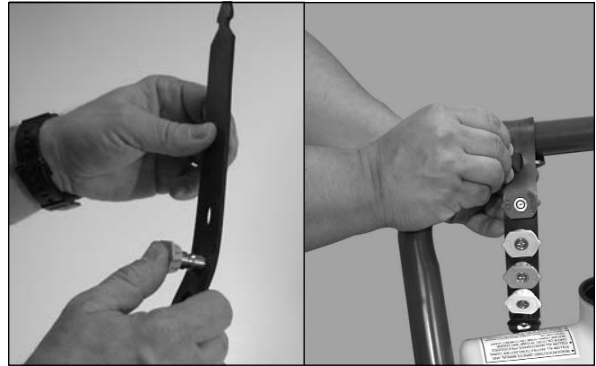


Figure 9 - Insert spray tips into the rubber tip holder

TRIGGER SAFETY LATCH

In the engaged position, the trigger safety latch prevents the gun from being triggered accidentally. Push the latch fully up to engage it (See Figure 10).

Always engage the trigger safety latch when the unit is not in use.



Figure 10a - Trigger locked

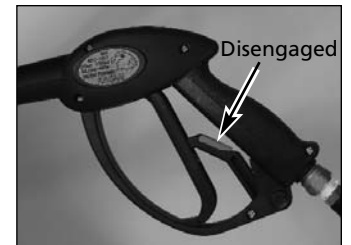


Figure 10b - Trigger unlocked

Operation

1. Surface Preparation

The following cleaning procedure will help you organize your cleaning task and ensures that you will achieve the best results in the shortest amount of time. Remember to use the spraying / cleaning techniques mentioned in the following section.

Before starting a pressure washer cleaning job, prepare the surface you intend to clean. Clear furniture from the area and make sure that all windows and doors are closed tightly. Also, protect all plants and trees near the cleaning area with a drop cloth. A covering ensures that your plants won't be sprayed by the detergents.

2. Start Up

ALWAYS use the following start up procedure to ensure that the unit is started safely and properly.

NOTICE *If water has frozen in the pressure washer, thaw the pressure washer in a warm room before starting. DO NOT pour hot water on or into the pump; internal parts will be damaged.*

1. Check engine oil levels. Add oil as necessary.
2. Check fuel level. Add unleaded gasoline (rated 86 octane or higher) as required

AWARNING *DO NOT refuel a hot engine. Refueling a hot engine could cause a fire. Use only fresh, clean regular or unleaded gasoline. Close the fuel shutoff valve during refueling.*

3. Attach a garden hose to the inlet side of the pump and connect it to the water supply. Use a hose with an internal diameter (I.D.) of 5/8" (1.58 cm) and a length of 50 ft. (15 m) or less.

NOTICE *Some local plumbing codes require backflow prevention when connecting to a fresh water supply. Install a backflow preventer upstream from the pump if necessary.*

- a. If inlet water pressure is over 100 psi, install a regulating water valve at the garden hose connection.
- b. Do not exceed 100° F (38° C) inlet water temperature.

NOTE: The inlet water supply must have a minimum flow rate of 5 gpm (19 lpm).

4. Turn the water supply ON.

NOTICE *Never run the unit dry. Be sure the water supply is completely turned on before operating the unit.*

5. Trigger the gun until water sprays smoothly from the tip indicating that all air is purged from the system. Lock the trigger safety latch.
6. Open the fuel valve by turning the knob counterclockwise until it stops. Close the choke (if engine is cold) by moving the choke ring fully to the right. Turn the ignition switch to "ON".
7. Start the engine (See Figure 10). Unlock the trigger safety latch on the gun. Grasp the starter rope and brace one foot on the chassis. Point the gun in a safe direction. While squeezing

the trigger on the gun, pull the starter rope rapidly and firmly (See Figure 11). Continue holding the rope as it returns. Repeat these steps until the engine starts.



Figure 11 - Start the engine

CAUTION *When pulling the starter rope, make sure to keep your hand and arm clear of the engine and cart components.*

NOTICE *Never let the starter rope return by itself. Doing so could jam the recoil system.*

8. If the engine does not start after two or three pulls or if the rope is hard to pull, squeeze the gun trigger to release the pressure that has built up in the high pressure hose. Repeat Steps 7 and 8 until the engine starts.

3. Initial High Pressure Rinse

Spray the cleaning surface with water to clear off any dirt or grime that may have collected on the surface. Doing so allows the detergent to attack the deep down dirt that has worked its way into the cleaning surface.

ANGLE TO THE CLEANING SURFACE

When spraying water against a surface, you can generate maximum impact by striking the surface head on. However, this type of impact can cause dirt particles to embed in the surface and can prevent the desired cleaning action.

The optimum angle for spraying water against a cleaning surface is 45 degrees (see Figure 12).

Spray water against a surface at a 45 degree angle to achieve the most beneficial impact force and to efficiently remove debris.

Operation (Continued)



Figure 12 - Optimum angle to cleaning surface

DISTANCE FROM CLEANING SURFACE

The distance between the spray tip and the cleaning surface is another factor that affects the impact force of the water. The impact force of the water increases as the spray tip is moved closer to the surface.

HOW TO AVOID DAMAGING SURFACES

Damage to cleaning surfaces occurs because the impact force of the water exceeds the durability of the surface. You can vary the impact force by controlling the spray tip angle to the cleaning surface and the distance from the cleaning surface and by changing the spray tip. NEVER use a narrow high impact stream on a surface that is susceptible to damage. Avoid spraying windows with a narrow high impact stream. Doing so may break the window. The most sure way to avoid damaging surfaces is to follow these steps:

1. Before triggering the gun, make sure the quick connect tip you are using is appropriate for the application.
2. Place the spray tip approximately 4-5 feet (1,22-1,52 m) away from the cleaning surface. Then hold the lance and spray tip at a 45 degree angle to the cleaning surface. Trigger the gun.
3. Vary the fan pattern spray angle and the distance to the cleaning surface until optimum cleaning efficiency is achieved without damaging the surface.

The color of the tip shows what spray angle it is:

Red – 0° – Maximum Duty*

Yellow – 15° – Heavy Duty

Green – 25° – General Duty*

White – 40° – Light Duty*

Black – 65° – Low Pressure Detergent

* = Not Included

4. Detergent Application

NOTE: Use only detergents formulated for pressure washers. Test detergent in an inconspicuous area before use.

DETERGENTS

The use of detergents can dramatically reduce cleaning time and assist in the removal of difficult stains. Many detergents are customized for pressure washer use on specific cleaning tasks. Pressure washer detergents are as thick as water. Using thicker detergents – like dish soap – will clog the chemical injection system and prevent the application of the detergent.

Once applied to a cleaning surface, detergents take time to break down dirt and grime. Detergents work best when applied at low pressure.

You can effectively clean surfaces by combining the chemical action of detergents with high pressure rinses. On vertical surfaces, apply the detergent starting at the bottom and work your way upward. This method prevents the detergent from sliding down and causing streaks. Begin high pressure rinsing at the bottom and work your way upward. On particularly tough stains, use a brush in combination with detergents and high pressure rinsing.

1. Follow manufacturer's label directions for mixing correct concentrations of soap/detergents. The soap detergent to water ratio through the pump is approximately 12% (1 to 8).
2. Pour detergent into the detergent tank. The tank capacity is 1.5 gallons.
3. Install 65° (Black) Low Pressure Detergent Tip in the quick connect fitting on the end of the lance.

⚠ WARNING NEVER replace quick connect tip when gun is triggered. Always engage trigger lock on gun before removing or installing quick connect tips.

GENERAL CLEANING TIPS

1. Apply the detergent so that it thoroughly covers the cleaning surface. Apply the detergent from bottom to top to prevent the detergent from sliding down and streaking. Wait a couple of minutes for the detergent to break down the dirt and grime. Use a brush to lightly scrub heavily soiled areas. Never allow the detergent to dry on the cleaning surface.
2. Replace black 65° quick connect tip with the yellow 15° tip and complete final rinse.

⚠ WARNING NEVER replace quick connect tip when gun is triggered. Always engage trigger lock on gun before removing or installing quick connect tips.

3. NOTE: After using detergents, flush the suction system by rinsing out tank with clean water and running unit with black 65° tip flushing clean water from tank through the pump.

Operation (Continued)

5. Cleaning Power

The easiest way to regulate the cleaning power of your pressure washer is by changing the distance from the surface you are cleaning. Begin spraying while standing several feet from the surface. Slowly move closer to the object you are cleaning until you find the most effective cleaning technique.

6. Final Rinse

The final rinse should start at the bottom and work upward. Make sure that you thoroughly rinse the surface and that you remove all detergent.

7. Pressure Relief Procedure

To reduce the risk of bodily injury or property damage, always follow this procedure whenever spraying is stopped, when work is completed, and before checking or repairing any part of the system.

1. Engage the trigger safety latch.
2. Turn the unit off.
3. Shut off the water supply.
4. Disengage the trigger safety latch and trigger the gun to relieve pressure.
5. Re-engage the trigger safety latch.
6. When checking or repairing unit, remove the ignition cable from the spark plug.
7. Before overnight storage, long term storage, or transporting unit, disconnect the water supply and turn off the fuel supply valve.

8. Shutdown

1. Be sure all detergent is flushed from system.
2. Turn the engine OFF.
3. Turn the water supply OFF.
4. After the engine and water supply are turned off, trigger the gun to depressurize the system.

NOTICE NEVER turn the water supply off before turning the engine/motor off. Serious damage could occur to the pump and/or engine/motor.

CAUTION NEVER disconnect the high pressure discharge hose from the machine while the system is pressurized. To depressurize, turn engine/motor off, turn water supply off and squeeze gun trigger 2-3 times.

5. After each use, wipe all surfaces of the pressure washer with a clean, damp cloth.
- Do not store the pressure washer outdoors.
- Do not store the pressure washer where it might freeze unless it has been properly winterized.

9. Storage

LONG TERM STORAGE INSTRUCTIONS (MORE THAN 30 DAYS IN STORAGE)

1. Remove fuel from the tank and run the pressure washer in a normal operating mode until the engine stops from a lack of fuel. Normal operating mode means actually spraying water from the gun while the engine is running.
Alternate method – Add fuel stabilizer to gas in the tank and run in normal operating mode for at least five minutes.
2. Stop the engine, turn off the water supply, and trigger the gun to release pressure in the high-pressure hose.
3. Disconnect the water supply and high pressure hose from the pump.
4. Allow the engine to cool.
5. Disconnect the spark plug wire and remove the spark plug.
6. Pour 1/2 oz. of engine oil into the spark plug hole.

WARNING Never pull the starter rope on the engine when the spark plug is removed unless the spark plug hole is covered. Fuel vapor from the hole can ignite by a spark.

7. Place a rag over the spark plug hole and slowly pull the starter rope several times to distribute the oil.

WINTERIZING INSTRUCTIONS

1. Follow and complete the Long Term Storage Instructions above.
2. Disconnect the spark plug wire.
3. Disconnect the high pressure hose from the pump.
4. Insert a 12" to 14" piece of garden hose into the pump inlet.
5. Place a funnel in the other end of the garden hose.

NOTICE Read the manufacturer's instructions for safe handling and disposal of RV antifreeze.

6. Pour approximately 6 oz. of RV antifreeze into the funnel.
7. Pull the starter rope several times until the RV antifreeze comes out of the pump outlet.
8. Disconnect the high pressure hose from the gun and drain the hose. Hold the gun and lance in a vertical position and squeeze the trigger to drain the water out.

TIPS FOR EXTENDING THE LIFE OF YOUR PRESSURE WASHER

1. Never operate the unit without water.
2. Your pressure washer is not meant to pump hot water. Never connect your pressure washer to a hot water supply as it will significantly reduce the life of the pump.
3. Running the unit for more than one minute without spraying water causes heat to build up in the pump. Running the unit without spraying water can damage pump components.

Maintenance

Observe regular maintenance intervals to ensure maximum performance and life from the pressure washer. Refer to the schedule for recommended maintenance. If you operate the pressure washer in dusty conditions, perform maintenance checks more often.

ENGINE OIL CHANGING INSTRUCTIONS

CAUTION Before tipping the engine or equipment to drain oil, drain fuel from the fuel tank.

NOTE: Change oil while the engine is cool.

1. Disconnect the spark plug wire from the spark plug.
2. Locate and remove the engine oil drain plug (See Figure 13).
3. Drain old oil.
4. Replace the drain plug and set the unit upright.
5. Refill the unit with new oil of a recommended type and quantity. Fill the unit to the proper level shown on the dipstick.

PUMP OIL CHANGING INSTRUCTIONS

Changing or refilling the oil in the pump requires removal of the pump from the engine and should not be required unless oil has leaked out due to worn or damaged oil seals in the pump. If oil has leaked out of the pump, bring the pressure washer to a certified Campbell Hausfeld service center for repair.



Figure 13 - Oil Drain Location

Maintenance Schedule

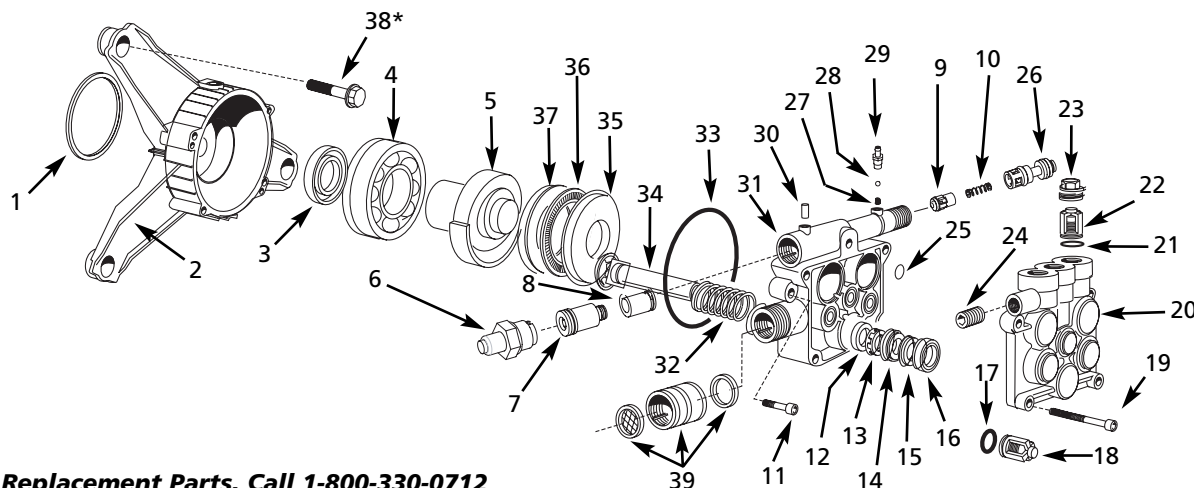
Maintenance Schedule	Action needed
Daily	<ul style="list-style-type: none"> • Check water inlet screen and filter. • Check engine oil levels. Fill as necessary. • Check gasoline level. Fill as necessary.
After first 5 hours of operation	<ul style="list-style-type: none"> • Change engine break-in oil. Use SAE30 or 10W-30 detergent oil.
Every 25 hours of operation	<ul style="list-style-type: none"> • Change oil if operating under heavy load or high ambient temperature. • Clean or replace paper air cleaner cartridge. Tap gently to remove dirt.
Every 50 hours of operation	<ul style="list-style-type: none"> • Change oil. • Replace spark plug.
Each 100 hours of operation or every 3 months	<ul style="list-style-type: none"> • Replace paper air cleaner cartridge. • Change engine oil.

Technical and Consumer Information

Vertical Oriented Pressure Washers	
Engine Oil Type	SAE 10W-30 SAE 30W (Above 60° F)
Engine Oil Capacity	
Honda engines	18.5 fl. oz.
Engine Fuel Capacity	
Honda engines	0.29 gal
Pump Oil Type	
Wobble pumps	SAE20W or SAE30W non-detergent oil
Pump Oil Capacity	
Vertical wobble pumps	4.0 fl. oz.
Pump Detergent Suction	
Water to detergent ratio	8 to 1 (12% detergent)
Water Supply Requirements	
Minimum inlet pressure	20 psi
Maximum inlet pressure	100 psi
Maximum inlet temperature	100° F
Minimum inlet flow rate	5 gpm
Inlet garden hose size	5/8" I.D.
Maximum inlet garden hose length	50 ft

Replacement Parts List — Pump

PM341000SJ



For Replacement Parts, Call 1-800-330-0712

Address parts correspondence to:
Campbell Hausfeld
Attn: Customer Service
100 Mundy Memorial Drive
Mt. Juliet, TN 37122

Please provide following information:
- Model number
- Serial number (if any)
- Part description and number as shown in parts list

Ref. No.	Description	Part Number	Qty.
1	Dust ring	■	-
2	Pump housing	■	-
3	Oil seal ring	■	-
4	Bearing	■	-
5	Wobble plate	■	-
6	Thermal relief valve	PM005405SV	1
7	Unloader valve body assembly	●	-
8	Body guide assembly	●	-
9	Check valve body assembly	●	-
10	Check valve spring	●	1
11	Screw	PM007500SV	2
12	Oil seal	◆	-
13	Oil seal spacer	▼	-
14	Seat seal ring	▼	-
15	Anti-extrusion ring	▼	-
16	Water seal	▲	-
17	O-ring	△□	-
18	Suction valve	△	-
19	Head bolt	PM025100SV	4
20	Head, 12 mm	PM255240SV	1

Ref. No.	Description	Part Number	Qty.
21	O-ring	★□	-
22	Outlet valve assembly	★	-
23	Valve cap	◇	-
24	Plug	PM064301SV	1
25	O-ring	PM041870SV	1
26	Chemical injector assembly	PM341015SV	1
27	Spring	○	-
28	Ball	○	-
29	O-ring and hose barb	○	-
30	Screw	PM064302SV	1
31	Piston body	PM341020SV	1
32	Piston spring	▽	-
33	O-ring, 85 x 2.5	□	-
34	Piston	▽	-
35	Thrust shoe	☆	-
36	Needle bearing	☆	-
37	Bearing disk	☆	-
38*	Bolt	MJ101211AV	3
39	Brass swivel assembly	PM041360SV	1

SERVICE KITS	PART NUMBER	QTY.
■ Housing assembly (Includes one each of items 1-5)	PM255230SV	1
● Unloader assembly (Includes one each of items 7-10 and 26)	PM344900SV	1
◆ Oil seal kit (Includes three each of item 12)	PM256500SV	1
▼ Piston guide kit (Includes three each of items 13-15)	PM344905SV	1
▲ Water seal kit (Includes three each of item 16)	PM344910SV	1
★ Outlet valve kit (Includes three each of items 21 and 22)	PM064304SV	1
△ Inlet valve kit (Includes three each of items 17 and 18)	PM064740SV	1
◇ Valve cap kit (Includes three each of item 23)	PM064750SV	1
□ O-ring kit (Includes three each of items 17 and 21 and one each of items 25 and 33)	PM058000SV	1
○ Detergent injector kit (Includes one each of items 27-29)	PM064305SV	1
▽ Piston kit (Includes three each of items 32 and 34)	PM344920SV	1
☆ Needle bearing kit (Includes one each of items 35-37)	PM041840SV	1

TORQUE SPECIFICATIONS (in-lbs)		
Ref. No.	Description	Torque
6	Thermal relief valve	110
11	Screw	96
19	Head bolt	96
23	Valve cap	240

Notes

* Available Separately
Oil capacity: 4 fl. oz.
Oil type: SAE 30W (non-detergent)

Replacement Parts List — Vertical Shaft Pressure Washer

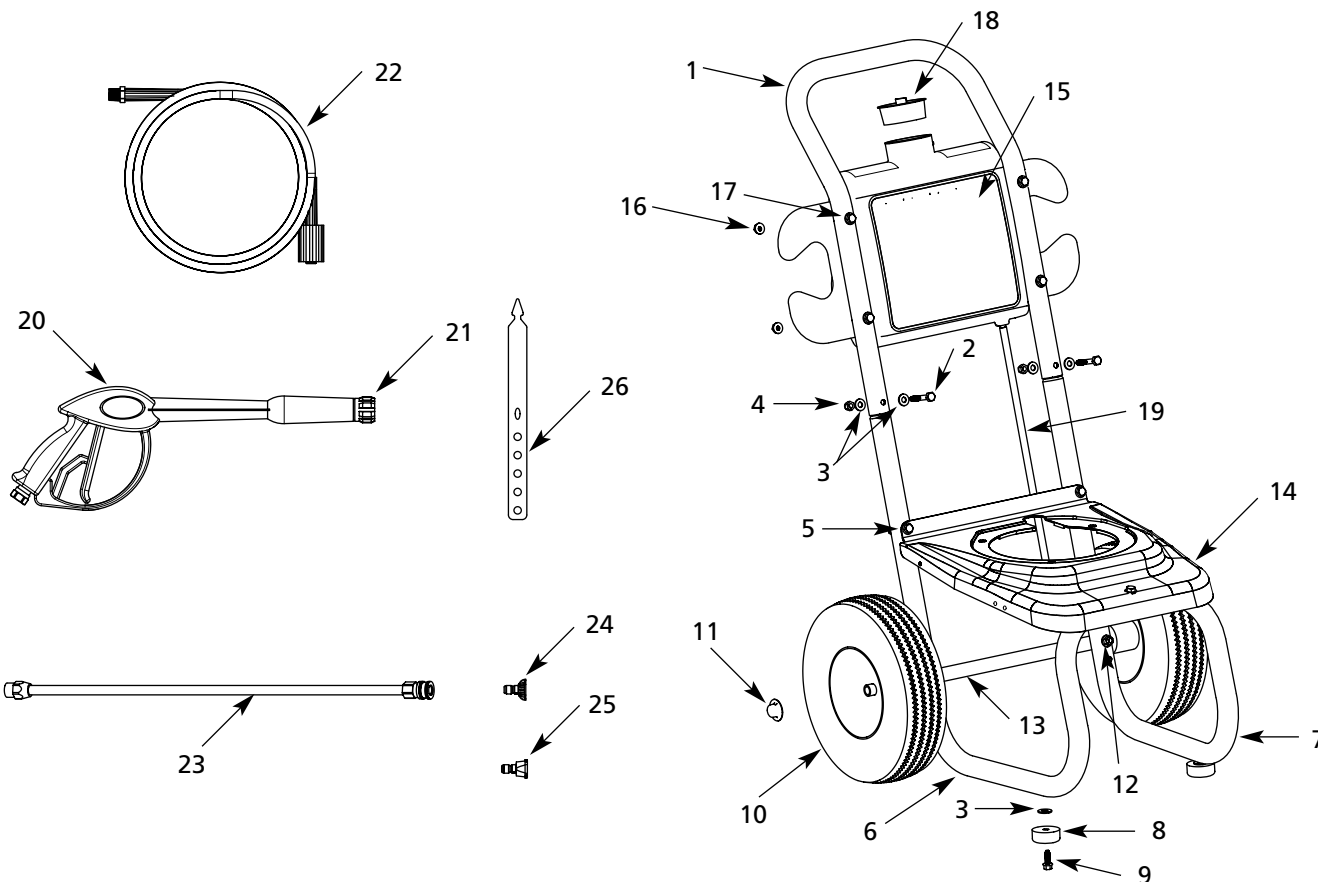
For Replacement Parts, Call 1-800-330-0712

Please provide following information:

- Model number
- Serial number (if any)
- Part description and number as shown in parts list

Address parts correspondence to:

Campbell Hausfeld
 Attn: Customer Service
 100 Mundy Memorial Drive
 Mt. Juliet, TN 37122



Ref No.	Description	Product Number	Qty
1	Handle tube	PM344830BH	1
2 *	1/4" - 20 Bolt (handle)	PM001903AV	2
3 *	Flat washer	PM002000AV	18
4 *	1/4" - 20 Nylon lock nut	ST073808AV	7
5 *	1/4" - 20 Bolt (base)	PM001902AV	3
6	Left leg	PM344828BH	1
7	Right leg	PM345100BH	1
8	Rubber bumper	AL062300AV	2
9 *	1/4" - 20 x 3/4 Self tapping screw	MJ102100AV	2
10	Wheel	WA005600AV	2
11	Pushnut	PM066300AV	2
12 *	1/4" - 20 Bolt (axle)	PM001904AV	2
13	Axle	PM344831BH	1
14	Baseplate	PM345520AV	1
15	Detergent tank assembly	PM252000SJ	1
16	1/4" - 20 Serrated nut (tank)	PM031101AV	4
17	1/4" - 20 Bolt, (tank)"	MJ101104AV	4

Ref No.	Description	Product Number	Qty
18	Cap	PM252450AV	1
19	Detergent tube	PM013700SV	1
20	Gun	PM005136AV	1
21	O-ring (gun)	PM245800SV	1
22	Hose	PM344302AV	1
23	Lance	PM035120AV	1
24	Tip, 15° (yellow)	PM039880AV	1
25	Tip, 65° (black)	PM039820AV	1
26	Holder, QC Tip	PM344304AV	1
*	Item available at local hardware store		

**Tip Accessories Available for PW2515:
 (Not supplied with unit)**

Tip, 0° (Red)	PM039870AV
Tip, 25° (Green)	PM039890AV
Tip, 40° (White)	PM039900AV

Troubleshooting Chart - Gasoline Powered Pressure Washers Only

Symptom	Possible Cause(s)	Corrective Action(s)
Engine will not start or is hard to start	<ol style="list-style-type: none"> No gasoline in fuel tank or carburetor Low oil Start/Stop switch in stop position Water in gasoline or old fuel Dirty air cleaner filter Spark plug dirty, wrong gap or wrong type Spray gun closed Other causes 	<ol style="list-style-type: none"> Fill the tank with gasoline, open fuel shut off valve. Check fuel line and carburetor Check oil level. Fill if necessary Move switch to start position Drain fuel tank and carburetor. Use new fuel and dry spark plug Remove and clean or replace Clean, adjust the gap, or replace Trigger spray gun See engine owner's manual
Engine misses or lacks power	<ol style="list-style-type: none"> Partially plugged air cleaner filter Spark plug dirty, wrong gap or wrong type 	<ol style="list-style-type: none"> Remove and clean or replace Clean, adjust the gap, or replace
Low pressure and/or pump runs rough	<ol style="list-style-type: none"> Worn or wrong size tip Inlet filter on pump clogged Worn water seals, abrasives in water, or natural wear Fouled or dirty inlet or discharge valves Restricted inlet Worn inlet or discharge valves Leaking high pressure hose Pump drawing in air Unloader valve seat faulty or worn 	<ol style="list-style-type: none"> Replace with tip of proper size Clean. Check more frequently Check filter. Replace water seals. See service center Clean inlet and discharge valve assemblies. Check filter Check garden hose, may be collapsed or kinked. Check inlet water flow Replace worn valves Replace high pressure hose Ensure hoses and fittings are tight Check and replace
Water leakage from under pump manifold	Worn water seals	Install new water seals. See service center
Water in pump crankcase (milky oil)	<ol style="list-style-type: none"> Humid air condensing inside crankcase Oil seals leaking 	<ol style="list-style-type: none"> Change oil as specified in maintenance schedule Install new oil seals. See service center
Frequent or premature failure of the pump water seals	<ol style="list-style-type: none"> Scored damaged or worn plungers Abrasive material in the fluid Inlet water temperature too high Overpressurizing pump Excessive pressure due to partially plugged or damaged tip Pump running too long without spraying Pump running dry 	<ol style="list-style-type: none"> Install new plungers. See service center Install proper filtration on pump inlet plumbing Check water temperature; may not exceed 100° F. Do not modify any factory set adjustments. Clean or replace tip. Never run pump more than 2 minutes without spraying Do not run pump without water
Strong surging at the inlet and low pressure	Foreign particles in the inlet or discharge valve or worn inlet and/or discharge valves	Clean or replace valves. See service center
Oil leakage between the engine and the pump	Worn oil seals and/or o-ring	Replace oil seals and/or o-ring. See service center
Fluctuating pressure	<ol style="list-style-type: none"> Valve worn, dirty or stuck Pump drawing in air Tip clogged 	<ol style="list-style-type: none"> Check and replace Ensure hoses and fittings are tight. Purge air from garden hose Check or replace
Pressure drops after period of normal use	<ol style="list-style-type: none"> Worn pump water seals Nozzle worn Valve worn, dirty or stuck Unloader valve seat worn or dirty 	<ol style="list-style-type: none"> Check and replace Check and replace Check, clean or replace Check, clean or replace
Pump noisy / pump runs rough	<ol style="list-style-type: none"> Pump drawing in air/low water supply Valves dirty or worn Worn bearings Water too hot 	<ol style="list-style-type: none"> Ensure fittings are tight. Increase water pressure Check, clean or replace Check and replace Reduce temperature below 100° F
Pressure washer will not spray detergent	<ol style="list-style-type: none"> Nozzle not pushed up far enough Clog, kink, or hole in detergent suction hose Hose length too long Lance not functioning properly 	<ol style="list-style-type: none"> Push nozzle forward as far as it will go. If clean, unkink or replace hose. Use only hose length provided with initial purchase of pressure washer. Detergent suction will not function if more than one section of hose is attached to unit. Remove lance from gun. If detergent is dispensed through gun, the lance must be replaced. If no detergent is dispensed through gun, remove 1" tapered detergent barb from pump. Clean the barb, and make sure that ball and spring are properly aligned with tapered portion of the spring facing the ball. The ball should be on top of the spring.

Limited Warranty

1. DURATION: From the date of purchase by the original purchaser as follows: Two Years
2. WHO GIVES THIS WARRANTY (WARRANTOR): Campbell Hausfeld / Scott Fetzer Company, 100 Mundy Memorial Drive, Mount Juliet, TN 37122, Telephone: (800) 330-0712
3. WHO RECEIVES THIS WARRANTY (PURCHASER): The original purchaser (other than for purposes of resale) of the Campbell Hausfeld pressure washer.
4. WHAT PRODUCTS ARE COVERED UNDER THIS WARRANTY: Any Campbell Hausfeld Pressure Washer supplied or manufactured by the Warrantor.
5. WHAT IS COVERED UNDER THIS WARRANTY: Substantial defects on material and workmanship which occur within the duration of the warranty period with the exceptions noted below.
6. WHAT IS NOT COVERED UNDER THIS WARRANTY:
 - A. Implied warranties, including those of merchantability and FITNESS FOR A PARTICULAR PURPOSE ARE LIMITED FROM THE DATE OF ORIGINAL PURCHASE AS STATED IN THE DURATION. If this pressure washer is used for commercial, industrial or rental purposes, the warranty will apply for ninety (90) days from the date of purchase. Some States do not allow limitation on how long an implied warranty lasts, so the above limitations may not apply to you.
 - B. ANY INCIDENTAL, INDIRECT, OR CONSEQUENTIAL LOSS, DAMAGE, OR EXPENSE THAT MAY RESULT FROM ANY DEFECT, FAILURE, OR MALFUNCTION OF THE CAMPBELL HAUSFELD PRESSURE WASHER. Some States do not allow the exclusion or limitation of incidental or consequential damages, so the above limitation or exclusion may not apply to you.
 - C. Any failure that results from shipping damage, accident, purchaser's abuse, neglect or failure to install and operate pressure washer in accordance with instructions provided in the owner's manual(s) supplied with product.
 - D. Pre-delivery service, i.e. assembly, oil or lubricants and adjustment.
 - E. Items or service normally required to maintain the pressure washer.
 - F. Gasoline engine and components are expressly excluded from coverage under this limited warranty. Such components should be returned by the purchaser to the original manufacturer or to its authorized repair stations for service.
 - G. Additional items not covered under the warranty:
 1. Normal wear items such as high pressure hoses, water and oil seals, o-rings, valves, lances and spray tips.
 2. Motor brushes (Electric models only).
 3. Cosmetic defects that do not interfere with functionality.
 4. Rusted components.
 5. Pump wear or valve damage caused by using improper oil, oil contamination or by failure to follow proper oil maintenance guidelines.
7. RESPONSIBILITIES OF WARRANTOR UNDER THIS WARRANTY: Repair or replace, at Warrantor's option, pressure washer or component which is defective, has malfunctioned and/or failed to conform within duration of the warranty period.
8. RESPONSIBILITIES OF PURCHASER UNDER THIS WARRANTY:
 - A. Provide dated proof of purchase and maintenance records.
 - B. Deliver or ship the Campbell Hausfeld pressure washer or component to nearest Campbell Hausfeld Authorized Service Center. Freight costs, if any, must be borne by the purchaser.
 - C. Use reasonable care in the operation and maintenance of the pressure washer as described in the owner's manual(s).
9. WHEN WARRANTOR WILL PERFORM REPAIR OR REPLACEMENT UNDER THIS WARRANTY: Repair or replacement will be scheduled and serviced according to the normal work flow at the servicing location, and depending on the availability of replacement parts.

This Limited Warranty applies in the U.S., Canada and Mexico only and gives you specific legal rights. You may also have other rights which vary from state to state or country to country.

Veillez inscrire le No de modèle et le No de série à utiliser pour contacter le fabricant :

No modèle _____ **Date d'achat** _____

No série _____ **Endroit d'achat** _____

Pour de l'information sur le produit, composez le 1-800-330-0712



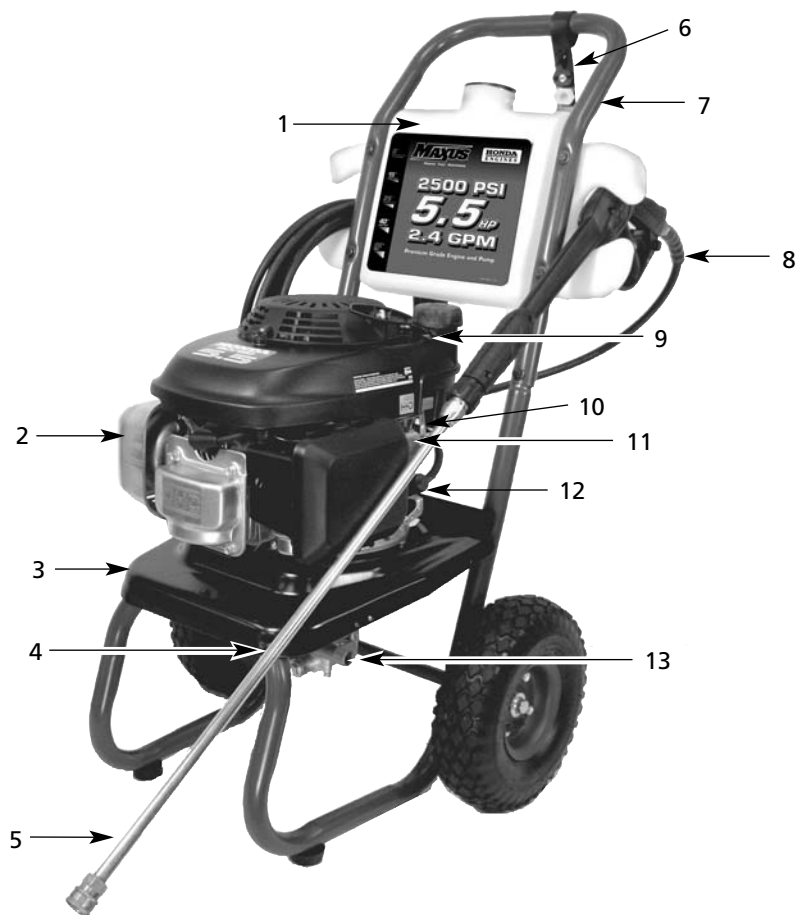
Modèle PW2515

Contenu	Page
Apprendre à connaître votre nettoyeur haute pression	2
Questions fréquemment posées	3
Information de sécurité et avertissements	4
Pré-opération	5 - 6
Fonctionnement	6 - 9
Information technique et entretien	10
Registre de service	11
Liste de pièces de rechange	
• Pompe	12
• Chariot	13
Tableau de dépannage	14
Garantie	16

Veillez lire attentivement et bien comprendre ces instructions avant de faire fonctionner votre nettoyeur haute pression.

**MÉMENTO : Gardez votre preuve datée d'achat à fin de la garantie !
Joignez-la à ce manuel ou classez-la dans un dossier pour plus de sécurité.**

Apprendre à connaître votre nettoyeur haute pression



PW2515

- | | | | |
|---|--|----|---|
| 1 | Réservoir de Détergent | 8 | Pistolet et gâchette |
| 2 | Silencieux | 9 | Réservoir de carburant |
| 3 | Emplacement du numéro de série/décalque du produit | 10 | Starter |
| 4 | (Pompe) Connexion d'aspiration du tuyau d'arrosage | 11 | Interrupteur On/Off (marche/arrêt) du moteur |
| 5 | Lance à connexion rapide | 12 | Valve de carburant On/Off (ouvert/fermé) |
| 6 | Porte-buse et buses de pulvérisation | 13 | (Pompe) Connexion de sortie pour tuyau haute pression |
| 7 | Manche | | |

Questions Fréquemment Posées

Comment démarre mon pulvérisateur haute pression ?

1. Assurez-vous d'avoir du carburant et de l'huile dans le moteur. Le moteur est délivré SANS HUILE.
2. Ouvrir l'alimentation d'eau, puis tirer de la gâchette du pistolet pour s'assurer que l'eau puisse sortir facilement de la buse.
3. Ouvrir la soupape de contrôle du carburant en tournant complètement le bouton dans le sens antihoraire jusqu'à l'arrêt.
4. Fermer le starter (si le moteur est froid) en mouvant l'anneau du starter complètement à droite.
5. Placer l'interrupteur de marche/arrêt sur « ON » (marche).
6. Tirer de la gâchette (pour soulager toute retro pression de la pompe) tandis qu'on tire le cordon de marche.

Quel type d'huile devrais-je utiliser ?

LE MOTEUR EST DÉLIVRÉ SANS HUILE. Voir page Fr 10 pour les types d'huile, les quantités et les instructions pour changer l'huile.

Pompe : La pompe est fournie remplie de la bonne quantité d'huile et ne devrait pas avoir besoin d'être changée ou remplie.

Pourquoi est-ce que je n'ai aucune pression d'eau ?

- Est-ce que le tuyau d'eau est attaché au pulvérisateur ?
- L'eau est-elle en marche ?
- Vérifiez les tortillements, fuites, blocages de flexibles, raccords ou gicleur.
- Est-ce que la buse de 15° (jaune) a été insérée dans l'extrémité de la lance (voir page Fr 8) ?
- Est-ce que l'écran du filtre d'aspiration est libre de débris ? Vérifiez et retirez les débris au besoin.

Comment puis-je obtenir une haute pression ?

- Pour haute pression, insérer la buse de 15° (jaune) dans l'extrémité de la lance (voir page Fr 8).

Comment puis-je faire fonctionner l'aspiration de savon ?

1. Connectez le tube d'aspiration de produits chimiques de plastique transparent à la tétine de flexible de plastique sur le réservoir du détergent.
2. Remplissez le réservoir du détergent avec un type à formule spéciale pour les pulvérisateurs à haute pression.

3. Pour pulvériser le savon, insérer la buse de 65° (noire) pour le savon dans l'extrémité de la lance (voir page Fr 8).

Pourquoi est-ce que le pulvérisateur haute pression n'applique pas de détergents avec une haute pression ?

Les détergents « rebondissent » sur les surfaces de nettoyage à la même vitesse qu'ils sont appliqués. Les fonctions du pulvérisateur de lavage permettent à un détergent d'être tiré seulement en mode de basse pression. En appliquant le détergent à basse pression, l'effet de « rebondissement » est réduit. Les détergents sont seulement efficaces lorsqu'on leur donne le temps de travailler sur la surface à nettoyer. Après avoir appliqué le détergent, attendre 1 à 3 minutes pendant qu'il fonctionne, puis passer au rinçage de la surface avec une haute pression.

Quel entretien dois-je effectuer sur mon pulvérisateur haute pression ?

1. Après avoir fermé le pulvérisateur haute pression et l'eau, enlevez la pression du flexible en pressant la gâchette du pistolet.
2. Retirez le tuyau d'arrosage et le flexible haute pression de la pompe.
3. Tirez lentement la corde de lancement cinq fois pour purger l'eau de la pompe. Ceci aidera à protéger la pompe de tout dommage.
4. Ne rangez pas votre pulvérisateur haute pression dans un endroit où la température tombera sous 0° C.
5. Suivre les instructions concernant le rangement et préparation pour l'hiver appropriées, en page Fr 9.

Que faire s'il me manque une pièce ?

Appelez Campbell Hausfeld au 1-800-330-0712 et nous remplacerons rapidement toutes les pièces manquantes.

NE RETOURNEZ PAS LE PULVÉRISATEUR AU DÉTAILLANT !

Où puis-je acheter des accessoires pour mon pulvérisateur haute pression ?

- Si vous ne pouvez en trouver chez votre détaillant, appelez Campbell Hausfeld au 1-800-330-0712.

Qui dois-je appeler si j'ai des questions ou des problèmes ?

**Appelez Campbell Hausfeld au
1-800-330-0712**

Information de Sécurité et Avertissements

Directives de Sécurité

Ce manuel contient de l'information très importante à connaître et comprendre fournie pour votre SÉCURITÉ et pour PRÉVENIR LES PROBLÈMES D'ÉQUIPEMENT. Pour aider à reconnaître cette information, observez les symboles suivants.

⚠ DANGER Danger indique une situation dangereuse imminente qui, si elle n'est pas évitée, MÈNERA à la mort ou à une blessure grave.

⚠ AVERTISSEMENT Avertissement indique une situation dangereuse possible qui, si elle n'est pas évitée, POURRAIT mener à la mort ou à une blessure grave.

⚠ ATTENTION Attention indique une situation dangereuse possible qui, si elle n'est pas évitée, POURRAIT mener à des blessures mineures ou modérées.

AVIS Avis indique de l'information importante qui, si elle n'est pas respectée, pourrait provoquer des dommages à l'équipement.

NOTE: Information qui exige une attention spéciale.

Importantes Instructions de Sécurité

CONSERVEZ CES INSTRUCTIONS

⚠ AVERTISSEMENT

En utilisant ce produit, ces précautions de base doivent être respectées, dont:

1. Lire toutes les instructions avant d'utiliser ce produit.
2. Pour réduire les risques de blessures, il faut superviser étroitement en présence d'enfants.
3. Suivez tous les codes de sécurité ainsi que l'Occupational Safety and Health Act (OSHA).
4. Assurez-vous que tous les dispositifs de sécurité fonctionnent correctement avec chaque utilisation. NE retirez PAS et ne modifiez pas toute pièce du pistolet ou de l'appareil.
5. Sachez comment arrêter ce produit et dégager rapidement la pression. Soyez bien au fait des contrôles.
6. Restez alerte – surveillez ce que vous faites.
7. N'utilisez pas l'appareil fatigué ou sous l'influence de l'alcool ou drogues.
8. Gardez le secteur d'opération libre de toutes personnes.
9. Ne vous penchez pas trop et ne vous tenez pas sur un support instable. Restez bien debout et en équilibre en tous temps.
10. Suivez les instructions d'entretien spécifiées dans le manuel.

⚠ AVERTISSEMENT Risque d'injection ou de blessures graves. Restez loin du gicleur. Ne déchargez pas de jets vers les personnes. Ce produit doit être utilisé seulement par un opérateur formé. Retirez toujours la tige du pistolet avant de nettoyer les débris de l'embout.

- Restez loin du gicleur. NE dirigez JAMAIS le jet haute pression vers une personne, un animal, ou vous-même.
- Portez toujours des lunettes de sécurité et de l'équipement de protection (protection auditive, gants, bottes de caoutchouc, vêtements protecteurs) en faisant fonctionner ou entretenant l'appareil.
- Ne mettez jamais la main ou les doigts sur l'embout de pulvérisation en opérant l'appareil.
- N'essayez jamais d'arrêter ou de dévier les fuites vers toute partie du corps.
- Engagez toujours le verrou de sécurité de la gâchette en position sûre à la fin de la pulvérisation même si ce n'est que pour quelques instants.

- Suivez toujours les recommandations du fabricant de détergents pour la bonne utilisation du produit. Protégez toujours les yeux, la peau et le système respiratoire du détergent.

⚠ AVERTISSEMENT N'utilisez pas de pression qui dépasse la pression d'exploitation de toute pièce (flexibles, raccords, etc.) du système sous pression. Assurez-vous que tout équipement et accessoires sont du calibre voulu pour résister à la pression d'exploitation maximum de l'appareil.

⚠ AVERTISSEMENT Danger d'explosion.

- NE pulvérisiez JAMAIS de liquides inflammables et n'utilisez jamais le pulvérisateur haute pression dans des endroits contenant de la poussière, des liquides ou des vapeurs combustibles.
- Ne faites jamais fonctionner cet appareil dans un édifice fermé ou dans ou près d'un environnement explosif.
- Ne retirez pas le bouchon du réservoir de combustible et ne remplissez pas le réservoir tandis que le moteur est chaud ou en marche (laissez le moteur refroidir deux minutes avant de faire le plein). Remplissez toujours le réservoir lentement.
- Ne débranchez jamais le flexible de décharge de haute pression de la machine tandis que le système est sous pression. Pour décompresser, coupez le courant et l'eau, puis pressez la gâchette du pistolet 2 ou 3 fois.
- N'engagez jamais en permanence le mécanisme de la gâchette sur le pistolet.
- Ne faites jamais fonctionner la machine sans que tous les composants soient bien raccordés à l'appareil (poignée, pistolet/ rallonge, gicleur, etc.).

AVIS

Domage à l'équipement

- Mettez TOUJOURS l'eau à "ON" avant de mettre le pulvérisateur haute pression en marche "ON". Faire fonctionner la pompe à sec cause de graves dommages.
- Ne faites pas fonctionner le pulvérisateur haute pression avec l'écran d'entrée d'eau retiré. Gardez l'écran libre de tous débris et sédiments.
- NE faites JAMAIS fonctionner le pulvérisateur haute pression avec des pièces brisées ou manquantes. Vérifiez régulièrement l'équipement et réparez immédiatement toutes pièces usées ou endommagées.
- Utilisez seulement le gicleur fourni avec l'appareil.
- Ne laissez jamais la rallonge sans surveillance tandis que la machine est en marche.
- Ne modifiez jamais le régulateur du moteur et n'essayez pas de modifier les réglages d'usine. Ceci pourrait endommager l'appareil et annulera la garantie.
- Tenez toujours le pistolet et la rallonge bien fermement en démarrant et en faisant fonctionner l'appareil.
- Ne laissez JAMAIS l'appareil fonctionner avec la gâchette délogée (arrêt) pendant plus d'une minute. L'accumulation de chaleur pourrait endommager la pompe.
- NE rangez JAMAIS le pulvérisateur haute pression à l'extérieur ou à des endroits où il pourrait geler. Le gel peut endommager gravement la pompe.
- Dégagez la gâchette en changeant de haute à basse pression sinon vous pourriez endommager le gicleur.

⚠ ATTENTION Gardez le flexible loin des objets tranchants. Les flexibles qui éclatent peuvent provoquer des blessures. Examinez régulièrement les flexibles et remplacez ceux qui sont endommagés. N'essayez pas de les réparer.

Pré-opération

DÉBALLAGE

Retirer l'équipement et toute pièce de son emballage. L'emballage doit contenir ce qui suit.

- Un pulvérisateur haute pression (pompe, moteur, base du chariot)
- Un assemblage de poignée du chariot
- Un réservoir de détergent
- Un pistolet de pulvérisation
- Une lance
- Un porte-buse avec 2 buses de pulvérisation. *De buses additionnelles sont disponibles pour l'achat, voir page Fr 13*

- Un flexible haute pression
- Un paquet d'écrous, boulons et manuels
- Une bouteille d'huile à moteur

S'il manque des pièces, **NE RETOURNEZ PAS L'APPAREIL AU DÉTAILLANT**. Notez le numéro de modèle de l'appareil (situé sur l'étiquette du numéro de série du cadre du pulvérisateur haute pression) et composez le 1-800-330-0712 pour les pièces de rechange.

Après le déballage, inspectez attentivement pour tout dommage durant le transit. Assurez-vous de bien resserrer les raccords et boulons avant d'utiliser le pulvérisateur haute pression.

⚠ AVERTISSEMENT *Ne faites pas fonctionner l'appareil s'il a été endommagé durant le transport, la manipulation ou l'utilisation car les dommages pourraient provoquer l'éclatement et causer des blessures ou des dommages à la propriété.*

ASSEMBLAGE

Utilisez deux clés réglables ou de 7/16 po pour assembler le pulvérisateur.

1. Glissez la poignée sur les pieds inférieurs de la base du chariot. Utiliser les boulons and écrous fournis pour fixer le manche aux pattes. Voir la Figure 1.



Figure 1 - Assemblez la poignée

2. Fixer le réservoir de détergent à l'arrière de la poignée. Utiliser les 4 boulons hexagonaux avec une rondelle plate sous la tête hexagonale et 4 écrous fournis.
3. Glisser le tuyau de plastique transparent fixé au pied sur la barbelure de tuyau de plastique du réservoir de détergent (voir figure 3).

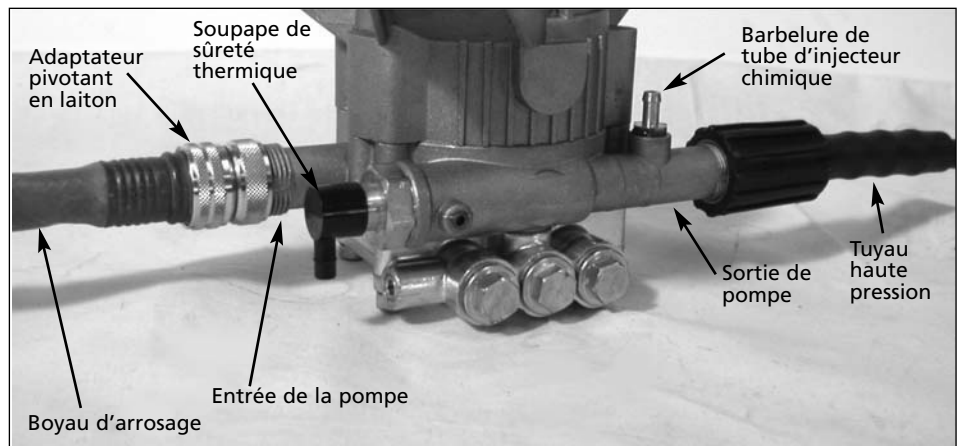


Figure 2 - Raccord de pompe



Figure 3 - Fixez le tube d'aspiration à la tétine

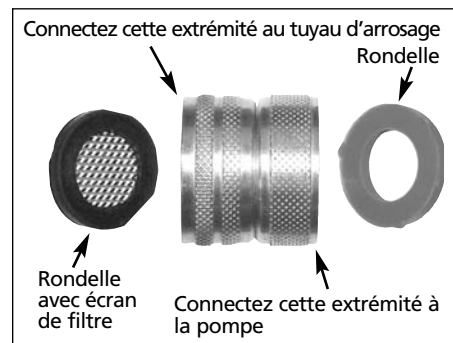


Figure 4 - Adaptateur articulé de laiton

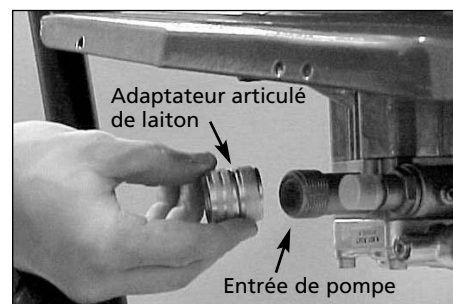


Figure 5 - Connectez l'articulation de laiton à la pompe

4. **Adaptateur pivotant en laiton** (voir la figure 2). Si ce n'est pas déjà fait, assemblez l'adaptateur articulé de laiton et fixez-le à l'entrée de la pompe (voir figures 4 et 5). Assurez-vous de raccorder le bon côté de l'adaptateur articulé de laiton à la pompe.

Pré-opération (Suite)

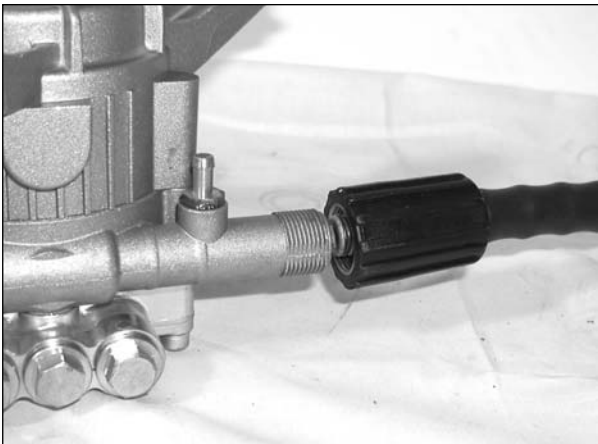


Figure 6 - Raccorder le tuyau haute pression à la pompe

5. Fixez le tuyau d'arrosage (non inclus) au raccord d'entrée de la pompe.
6. Connectez le flexible haute pression à la sortie de la pompe (voir les figures 2 et 6).



Figure 7 - Fixer la lance au pistolet

7. Fixer la lance au pistolet (voir figure 7).
8. Installer la buse de connexion rapide en tirant vers l'arrière le collier et en insérant la buse. Dégager le collier et s'assurer qu'il revient complètement à sa position à l'avant et que la buse est fixe (voir figure 8).

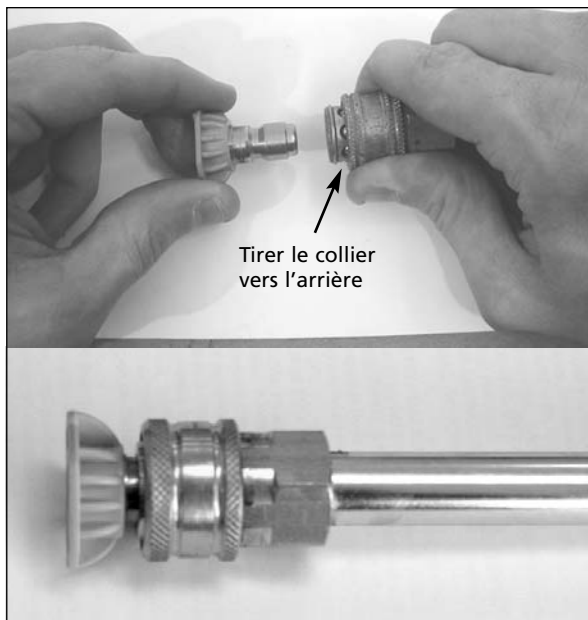


Figure 8 - Installation de la buse de connexion rapide

9. Mettre les buses de connexion rapide dans le support pour les buses et le fixer sur le manche du nettoyeur haute pression. Voir la figure 9.

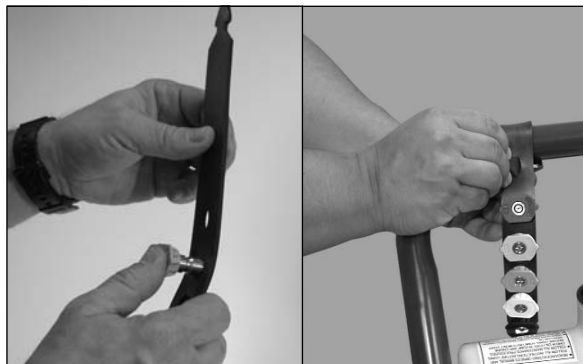


Figure 9 - Insérer les buses de pulvérisation dans le support pour les buses.

VERROU DE SÉCURITÉ DE LA GÂCHETTE

En position engagée, le verrou de sécurité de la gâchette empêche le déclenchement accidentel du pistolet. Pousser complètement le verrou de sécurité pour l'engager (voir figure 10).

Engagez toujours le verrou de sécurité de la gâchette lorsque vous n'utilisez pas l'appareil.

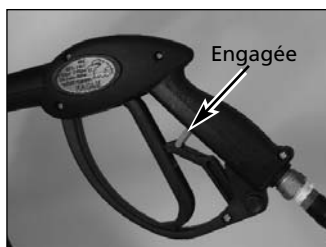


Figure 10a - Gâchette verrouillée



Figure 10b - Gâchette déverrouillée

Opération

1. Préparation de la surface

La procédure de nettoyage suivante vous aide à vous organiser pour la tâche de nettoyage et pour vous assurer d'atteindre les meilleurs résultats dans le temps le plus court. Rappelez-vous d'utiliser les techniques de pulvérisation/nettoyage mentionnées dans les sections suivantes.

Avant de commencer un travail de nettoyage à haute pression, préparez la surface à nettoyer. Enlevez les meubles et assurez-vous que toutes les fenêtres et portes sont bien fermées. Protégez aussi toutes vos plantes et arbres près du secteur à nettoyer en couvrant d'une toile pour ne pas les pulvériser de détergent.

2. Démarrage

Utilisez TOUJOURS cette procédure de démarrage pour assurer un démarrage exact et sans danger.

AVIS

Si l'eau a gelé dans le pulvérisateur à haute pression,

laissez-la dégeler à température ambiante avant de commencer. NE versez PAS d'eau chaude sur ou dans la pompe; les pièces intérieures seraient endommagées.

1. Vérifiez les niveaux d'huile à moteur. Ajoutez de l'huile au besoin.
2. Vérifiez le niveau d'huile.

⚠ AVERTISSEMENT

NE remettez PAS de carburant avec un moteur chaud car cela

pourrait causer un incendie. Utilisez seulement de l'essence sans plomb ou régulière propre, fraîche. Fermez le robinet d'arrêt de carburant durant le remplissage.

3. Fixez un tuyau d'arrosage côté entrée de la pompe et raccordez-le à l'alimentation d'eau. Utilisez un flexible de D.I. de 5/8 po et d'une longueur de 50 pi (15 m) ou moins.

AVIS

Certains codes de plomberie locaux exigent un dispositif de

prévention de retour d'eau en connectant à une source d'eau fraîche. Installez un dispositif de prévention de retour en amont de la pompe, au besoin.

- a. Si la pression d'eau d'alimentation dépasse 690 kPa, installez une soupape régulatrice d'eau au raccord du tuyau d'arrosage.
- b. Ne dépassez pas 38° C de température d'eau d'alimentation.

NOTE : L'approvisionnement d'eau d'alimentation doit avoir un débit minimum de 19 lpm.

4. Ouvrez l'alimentation d'eau.

AVIS

Ne laissez jamais l'appareil fonctionner à sec. Assurez-vous

que l'alimentation d'eau est en marche avant de faire fonctionner l'appareil.

5. Tirer de la gâchette jusqu'à ce que de l'eau puisse se pulvériser facilement de la buse, ce qu'indique que tout air a été purgé du système. Engager le verrou de sécurité de la gâchette.
6. Ouvrir la soupape de carburant en tournant complètement le bouton dans le sens antihoraire jusqu'à l'arrêt. Fermer le starter (si le moteur est froid) en mouvant l'anneau du starter complètement à droite. Placer l'interrupteur d'allumage sur « ON ».

7. Démarrez le moteur (voir la figure 10). Déverrouillez le verrou de sécurité de la gâchette sur le pistolet. Agrippez la corde de lancement et appuyez un pied sur le châssis. Pointer le pistolet dans une direction sans danger. Tirez rapidement et fermement la corde de lancement tout en pressant la gâchette du pistolet (voir la figure 11). Continuez à tenir la corde quand elle revient. Répétez ces étapes jusqu'à ce que le moteur démarre.



Figure 11 - Démarrage du moteur

⚠ ATTENTION

En tirant le lancement, assurez-vous de garder la main et le bras loin du moteur et des composants du chariot.

AVIS

Ne laissez jamais la corde de lancement revenir par elle-même car cela pourrait bloquer le système de retour.

8. Si le moteur ne démarre pas après deux ou trois enclenchements ou si la corde est difficile à tirer, pressez la gâchette du pistolet pour dégager la pression accumulée dans le flexible haute pression. Répétez les étapes 7 et 8 jusqu'à ce que le moteur démarre.

3. Rinçage initial à haute pression

Pulvériser d'eau la surface à nettoyer pour enlever toute poussière ou saleté accumulée sur la surface. Ceci permet au détergent de s'attacher à la poussière en profondeur qui a pénétré dans la surface à nettoyer.

ANGLE À LA SURFACE DE NETTOYAGE

En pulvérisant l'eau contre une surface, vous pouvez obtenir un impact maximum en frappant la surface directement. Ce type d'impact peut toutefois faire pénétrer les particules de poussières dans la surface et ainsi empêcher d'avoir l'action recherchée.

L'angle optimum de pulvérisation d'eau contre une surface de nettoyage est de 45 degrés.

Pulvériser l'eau contre une surface à un angle de 45 degrés pour atteindre le meilleur impact et retirer efficacement les débris.

Opération (Suite)



Figure 12 - Angle optimum par rapport à la surface à nettoyer

DISTANCE DE LA SURFACE À NETTOYER

La distance entre le gicleur de pulvérisation et la surface de nettoyage est un autre facteur qui affecte la force d'impact de l'eau. Celle-ci augmente au fur et à mesure où vous déplacez le gicleur plus près de la surface.

COMMENT ÉVITER D'ENDOMMAGER LES SURFACES

Les dommages aux surfaces à nettoyer se produisent à cause de la force d'impact de l'eau qui dépasse la durabilité de la surface. On peut varier la force d'impact en contrôlant l'angle de la buse de pulvérisation avec la surface à nettoyer, la distance de la surface à nettoyer et en changeant la buse de pulvérisation. NE JAMAIS utiliser un jet étroit à fort impact sur une surface susceptible d'être endommagée. Éviter de pulvériser les fenêtres avec un jet étroit à fort impact. Ceci pourrait casser la fenêtre. Le meilleur moyen d'éviter d'endommager les surfaces est de suivre ces étapes :

1. Avant de tirer de la gâchette, s'assurer que la buse de connexion rapide utilisée est appropriée pour le travail.
2. Placer la buse à environ 1,2 à 1,5 m (4 à 5 pieds) de la surface à nettoyer. Ensuite, tenir la lance et la buse de pulvérisation à un angle de 45° avec la surface à nettoyer. Tirer de la gâchette du pistolet.
3. Variez l'angle du jet à éventail et la distance à la surface à nettoyer jusqu'à ce que vous atteigniez l'efficacité optimale de nettoyage sans endommager la surface.

La couleur de la buse indique l'angle de pulvérisation :

Rouge - 0° - Travail extrêmement lourd*

Jaune - 15° - Travail lourd

Vert -25° - Travail général*

Blanc -40° - Travail léger*

Noir - 65° - Détergeant basse pression

* = Non incluse

4. Application de détergent

NOTE : Utilisez seulement les détergents formulés pour les pulvérisateurs haute pression. Testez le détergent dans un endroit retiré avant de l'utiliser.

DÉTERGENTS

Utiliser des détergents peut réduire de beaucoup le temps de nettoyage et aider à retirer les taches rebelles. De nombreux détergents sont faits pour le pulvérisateur haute pression pour des tâches de nettoyage précises. Les détergents de pulvérisateur haute pression sont aussi épais que l'eau. Le fait d'utiliser des détergents plus épais - comme le savon de vaisselle - bloquera le système d'injection chimique et empêchera l'application de détergent.

Appliqués sur la surface, les détergents prennent du temps pour s'attaquer à la poussière et à la saleté. Les détergents fonctionnent mieux appliqués à basse pression.

Vous pouvez nettoyer efficacement les surfaces en combinant l'action chimique des détergents avec les rinçages à haute pression. Pour les surfaces verticales, appliquez le détergent en commençant au bas pour aller vers le haut. La méthode empêche le détergent de glisser vers le bas et de faire des coulisses. Commencez le rinçage haute pression au bas et allez vers le haut. Pour les taches particulièrement rebelles, utilisez une brosse en plus des détergents et du rinçage haute pression.

1. Suivez les directives du fabricant sur l'étiquette pour les bonnes concentrations de mélange de savon/détergents. La proportion de détergent savon à eau dans la pompe est d'environ 12 % (1 à 8).
2. Versez le détergent dans le réservoir de détergent. La capacité du réservoir est de 1,5 gallons (5,67 litres).
3. Installer la buse basse pression (noire) à 65° sur la connexion rapide à l'extrémité de la lance.

⚠ AVERTISSEMENT NE JAMAIS changer la buse de connexion rapide au même temps qu'on tire de la gâchette. Engager toujours le verrou de la gâchette avant de quitter ou installer une buse de connexion rapide.

CONSEILS GÉNÉRAUX DE NETTOYAGE

1. Appliquez le détergent pour couvrir entièrement la surface à nettoyer, de bas en haut pour éviter qu'il ne glisse vers le bas et fasse des marques. Attendez quelques minutes pour que le détergent s'attaque à la poussière et à la saleté. Utilisez une brosse pour frotter un peu les endroits rebelles. Ne laissez jamais le détergent sécher sur la surface à nettoyer.
2. Remplacer la buse noire 65° de connexion rapide par la buse jaune 15° et faire le rinçage final.

⚠ AVERTISSEMENT NE JAMAIS changer la buse de connexion rapide au même temps qu'on tire de la gâchette. Engager toujours le verrou de la gâchette avant de quitter ou installer une buse de connexion rapide.

3. REMARQUE : Après l'utilisation de détergents, laver le système d'aspiration en rinçant le réservoir à l'eau fraîche et faire fonctionner l'appareil avec la buse noire 65° en rinçant à l'eau fraîche le réservoir jusqu'à la pompe incluse.

Opération (Suite)

5. Puissance de nettoyage

La façon la plus facile de réguler la capacité de nettoyage de votre nettoyeur haute pression est en variant la distance de la surface à nettoyer. Commencer la pulvérisation à une distance de quelques mètres de la surface. Doucement se déplacer plus près de l'objet que vous voulez nettoyer jusqu'à rencontrer la technique de nettoyage la plus effective.

6. Dernier Rinçage

Le dernier rinçage devrait commencer du bas vers le haut. Assurez-vous de bien rincer toute la surface et de retirer toute trace de détergent.

7. Procédure de décompression

Pour réduire les risques de blessures ou de dommages à la propriété, suivez toujours cette procédure lorsque la pulvérisation est arrêtée, à la fin du travail et avant de vérifier ou réparer toute pièce du système.

1. Engagez le verrou de sécurité de la gâchette.
2. Fermez l'appareil.
3. Coupez l'alimentation d'eau.
4. Désengagez le verrou de sécurité de la gâchette et pressez sur la gâchette pour décompresser.
5. Réengagez le verrou de sécurité de la gâchette.
6. Pour vérifier ou réparer l'appareil, quitter le câble d'allumage de la bougie.
7. Avant de ranger pour la nuit, de ranger à long terme ou de transporter l'appareil, déconnectez l'alimentation d'eau et fermez la soupape d'alimentation de carburant.

8. Arrêt

1. Assurez-vous que tout le détergent est vidé du système.
2. Coupez le moteur.
3. Fermez l'alimentation d'eau.
4. Après avoir coupé le moteur et fermé l'alimentation d'eau, pressez la gâchette pour décompresser le système.

AVIS

NE fermez jamais l'alimentation d'eau avant de couper le moteur.

Cela pourrait endommager la pompe et/ou moteur.

ATTENTION

NE déconnectez jamais le flexible de décharge de haute

pression de l'appareil tandis que le système est sous pression. Déconnectez en coupant le moteur, fermant l'alimentation d'eau et pressant la gâchette 2 ou 3 fois.

5. Après chaque utilisation, essuyez les surfaces du pulvérisateur haute pression avec un chiffon propre et humide.
 - Ne rangez pas le pulvérisateur haute pression à l'extérieur.
 - Ne rangez pas le pulvérisateur haute pression à un endroit où il pourrait geler à moins de le préparer pour l'hiver.

9. Rangement

INSTRUCTIONS DE RANGEMENT À LONG TERME (PLUS DE 30 JOURS)

1. Retirez le carburant du réservoir et faites fonctionner le pulvérisateur haute pression en mode d'opération normal jusqu'à ce que le moteur s'arrête faute de carburant. Ce mode signifie que vous pulvériserez de l'eau du pistolet tandis que le moteur est en marche.

Autre méthode – Ajoutez du stabilisateur de carburant à l'essence dans le réservoir et faites fonctionner en mode d'opération normal pendant au moins cinq minutes.
2. Coupez le moteur, fermez l'alimentation d'eau et pressez la gâchette pour décompresser dans le flexible haute pression.
3. Déconnectez l'alimentation d'eau et le flexible haute pression de la pompe.
4. Laissez le moteur refroidir.
5. Déconnectez le fil de la bougie et retirez la bougie.
6. Versez 14,8 mL d'huile à moteur dans le trou de la bougie.

AVERTISSEMENT *Ne tirez jamais la corde de lancement du moteur lorsque la bougie est retirée jusqu'à ce que le trou de la bougie soit couvert car les vapeurs du trou peuvent s'enflammer avec une étincelle.*

7. Placez un chiffon sur le trou de la bougie et tirez lentement sur la corde de lancement plusieurs fois pour distribuer l'huile.

INSTRUCTIONS POUR L'HIVER

1. Suivez et respectez les instructions de rangement à long terme plus haut.
2. Déconnectez le fil.
3. Déconnectez le flexible haute pression de la pompe.
4. Insérez une longueur de tuyau d'arrosage de 12 à 14 po dans l'entrée de la pompe.
5. Placez un entonnoir dans l'autre extrémité du tuyau d'arrosage.

AVIS

Lisez les instructions du fabricant pour manipuler et éliminer correctement l'antigel RV.

6. Versez environ 0,18 L d'antigel RV dans l'entonnoir.
7. Tirez la corde de lancement plusieurs fois jusqu'à ce que l'antigel sorte de la sortie de la pompe.
8. Déconnectez le flexible haute pression du pistolet et drainez le flexible. Tenez le pistolet et la tige en position verticale et pressez la gâchette pour drainer toute l'eau.

CONSEILS POUR PROLONGER LA DURÉE DE VIE DE VOTRE PULVERIZATEUR HAUTE PRESSION

1. Ne faites jamais fonctionner l'appareil sans eau.
2. Votre pulvérisateur haute pression ne doit pas pomper d'eau chaude. Ne connectez jamais votre pulvérisateur haute pression à une source d'eau chaude car cela réduira de beaucoup la vie de la pompe.
3. Faire fonctionner l'appareil pendant plus d'une minute sans pulvériser d'eau fera accumuler la chaleur dans la pompe. Faire fonctionner l'appareil sans pulvériser d'eau pourrait endommager les composants de la pompe.

Entretien

Respectez les intervalles d'entretien régulier pour assurer une performance maximum et une longue durée de vie du pulvérisateur. Reportez-vous à l'horaire d'entretien recommandé. Si vous faites fonctionner votre pulvérisateur haute pression dans des conditions poussiéreuses, faites les vérifications d'entretien plus souvent.

INSTRUCTIONS DE CHANGEMENT D'HUILE À MOTEUR

ATTENTION Avant de pencher le moteur ou l'équipement pour drainer l'huile, drainez le carburant du réservoir de carburant.

NOTE: Changez l'huile à moteur froid.

1. Déconnectez le fil de la bougie de la bougie.
2. Trouver et quitter le tapon de drainage de l'huile du moteur (voir figure 13).
3. Drainez la vieille huile.
4. Remplacez le bouchon de drainage et relevez l'appareil.
5. Remplissez de nouvelle huile du type et selon la quantité recommandée. Remplir l'appareil au niveau d'huile approprié indiqué sur la jauge de remplissage.

INSTRUCTIONS DE CHANGEMENT D'HUILE DE LA POMPE

Pour changer ou remplir l'huile dans la pompe, il faut retirer la pompe du moteur et cela ne devrait pas être nécessaire à moins qu'il n'y ait eu une fuite à cause de joints d'huile usés ou endommagés dans la pompe. S'il y a eu fuite d'huile hors de la pompe, apportez le pulvérisateur haute pression à un centre de réparations certifié Campbell Hausfeld.

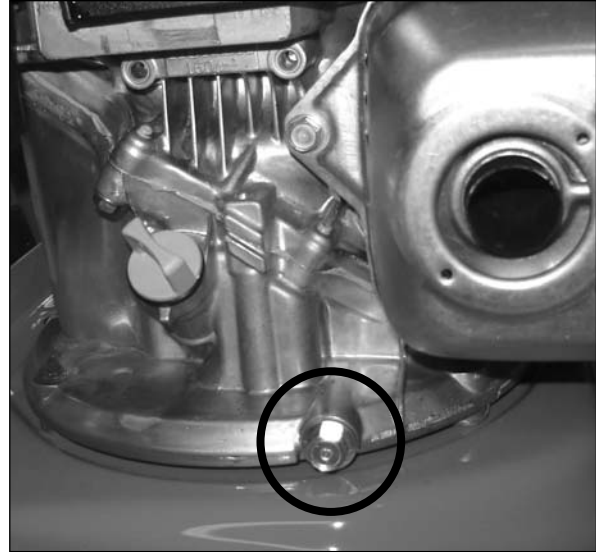


Figure 13 - Site de drainage d'huile

Horaire d'entretien

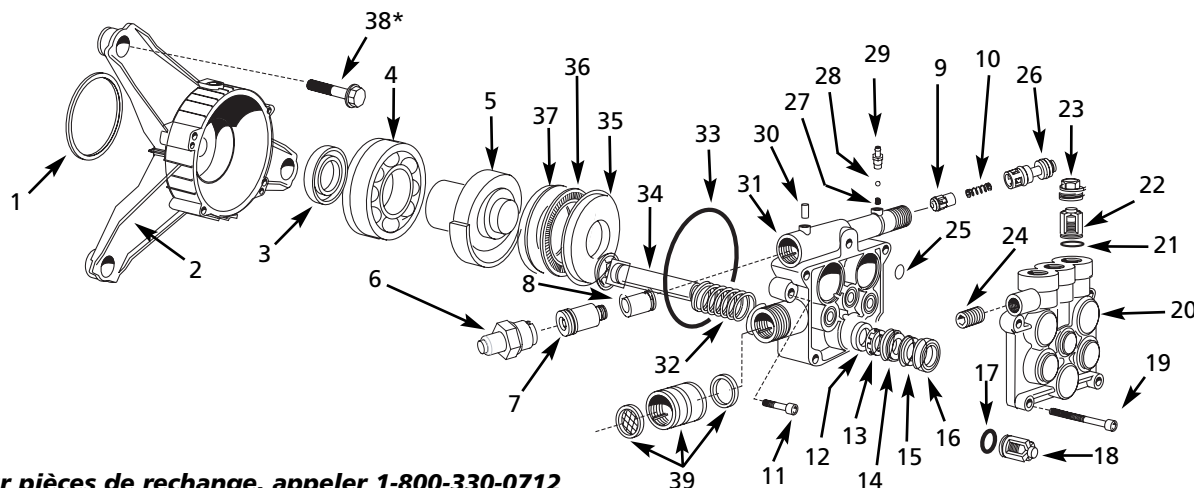
Horaire d'entretien	Mesure à prendre
Chaque jour	<ul style="list-style-type: none"> • Vérifiez l'écran et le filtre d'entrée d'eau. • Vérifiez les niveaux d'huile à moteur. Remplissez au besoin. • Vérifiez le niveau d'essence. Remplissez au besoin.
Après les 5 premières heures d'opération	<ul style="list-style-type: none"> • Changez l'huile de rodage et utilisez de l'huile détergent SAE30 ou 10W-30.
Toutes les 25 heures d'opération	<ul style="list-style-type: none"> • Changez l'huile si vous utilisez sous des charges lourdes ou à température ambiante élevée. • Nettoyer ou remplacer le cartouche de papier du filtre d'air. Frapper doucement pour retirer la saleté.
Toutes les 50 heures d'opération	<ul style="list-style-type: none"> • Changez l'huile. • Remplacez la bougie.
Toutes les 100 heures d'opération ou tous les 3 mois	<ul style="list-style-type: none"> • Remplacer le cartouche de papier du filtre d'air. • Changez l'huile du moteur.

Information technique et entretien

Vertical Oriented Pressure Washers	
Type d'huile à moteur	SAE 10W-30 SAE 30W (plus de 15° C)
Capacité de l'huile à moteur	
Moteurs Honda	0,55 L
Capacité de carburant du moteur	
Moteurs Honda	1,44 L
Type d'huile de pompe	
Pompes à plateau oscillant	SAE20W ou SAE30W huile non-détergent
Capacité d'huile de pompe	
Pompes verticales à plateau oscillant	0,12 L
Aspiration de détergent de la pompe	
Ratio eau à détergent	8 à 1 (12% détergent)
Exigences en alimentation d'eau	
Pression d'entrée minimum	138 kPa
Pression d'entrée maximum	690 kPa
Température d'entrée maximum	38° C
Débit d'entrée minimum	19 Lpm
Taille de tuyau d'arrosage d'entrée	5/8 po D.I.
Longueur max. du tuyau d'arrosage	50 pieds

Pompe - Liste de pièces de rechange

PM341000SJ



Pour pièces de rechange, appeler 1-800-330-0712

Correspondance :

Campbell Hausfeld
Attn: Customer Service
100 Mundy Memorial Drive
Mt. Juliet, TN 37122

S'il vous plaît fournir l'information suivante :

- Numéro du Modèle
- Numéro de Série (si présent)
- Description de la Pièce et son numéro sur la liste

N° de Ref.	Description	Numero de Pièce	Qté.
1	Bague de poussière	■	-
2	Carter de pompe	■	-
3	Anneau de bague d'étanchéité d'huile	■	-
4	Roulement	■	-
5	Plaque d'oscillation	■	-
6	Soupape de soulagement thermique	PM005405SV	1
7	Assemblage du corps de clapet de décharge	●	-
8	Assemblage de guide du corps	●	-
9	Assemblage du corps du clapet	●	-
10	Ressort de clapet	●	1
11	Vis	PM007500SV	2
12	Bague d'étanchéité d'huile	◆	-
13	Entretoise de joint d'étanchéité	▼	-
14	Bague de joint de siège	▼	-
15	Bague anti-refoulage	▼	-
16	Joint hydraulique	▲	-
17	Joint torique	△ □	-
18	Soupape d'aspiration	△	-
19	Boulon à tête	PM025100SV	4
20	Tête, 12 mm	PM255240SV	1

N° de Ref.	Description	Numero de Pièce	Qté.
21	Joint torique	★ □	-
22	Montage de soupape de sortie	★	-
23	Capuchon se soupape	◇	-
24	Bouchon	PM064301SV	1
25	□ Joint torique	PM041870SV	1
26	● Assemblage d'injecteur chimique	PM341015SV	1
27	Ressort	○	-
28	Boule	○	-
29	Joint torique et barbillon de tuyau	○	-
30	Vis	PM064302SV	1
31	Corps de piston	PM341020SV	1
32	Ressort de piston	▽	-
33	Joint torique, 85 x 2.5	□	-
34	Piston	▽	-
35	Coude de butée	☆	-
36	Roulement à aiguilles	☆	-
37	Disque de roulement	☆	-
38*	Boulon	MJ101211AV	3
39	Assemblage d'adaptateur pivotant en laiton	PM041360SV	1

JEUX DE PIÈCES POUR LE SERVICE

	Numero de Pièce	Qté.
■	Montage de carter (Comprend un chaque d'articles 1-5)	PM255230SV 1
●	Montage de déchargeur (Comprend un chaque d'articles 7-10 et 26)	PM344900SV 1
◆	Trousse de bague d'étanchéité d'huile	PM256500SV 1
▼	Nécessaire de guide-piston (Comprend trois chaque d'articles 13-15)	PM344905SV 1
▲	Nécessaire de joint hydraulique (Comprend trois chaque d'article 16)	PM344910SV 1
★	Nécessaire de soupape d'admission (Comprend trois chaque d'articles 17 et 18)	PM064740SV 1
△	Nécessaire de soupape de sortie (Comprend trois chaque d'articles 21 et 22)	PM064304SV 1
◇	Nécessaire de capuchon de soupape (Comprend trois chaque d'article 23)	PM064750SV 1
□	Nécessaire de joint torique (Comprend trois chaque d'articles 17 et 21 et un chaque d'articles 25 et 33)	PM058000SV 1
○	Nécessaire d'injecteur de détergent (Comprend un chaque d'articles 27-29)	PM064305SV 1
▽	Nécessaire de piston (Comprend trois chaque d'articles 32 et 34)	PM344920SV 1
☆	Nécessaire de roulements à aiguille (Comprend un chaque d'articles 35-37)	PM041840SV 1

SPÉCIFICATIONS DE COUPLE (kg-cm)

N° de Réf.	Description	Couple
6	Soupape de soulagement thermique	110
11	Vis	96
19	Boulon à tête	96
23	Capuchon de soupape	240

Notes

* Disponible séparément

Capacité d'huile: 118 mL

Type d'huile: SAE 30W (sans détergent)

Pulvérisateur de Lavage à Arbre Vertical

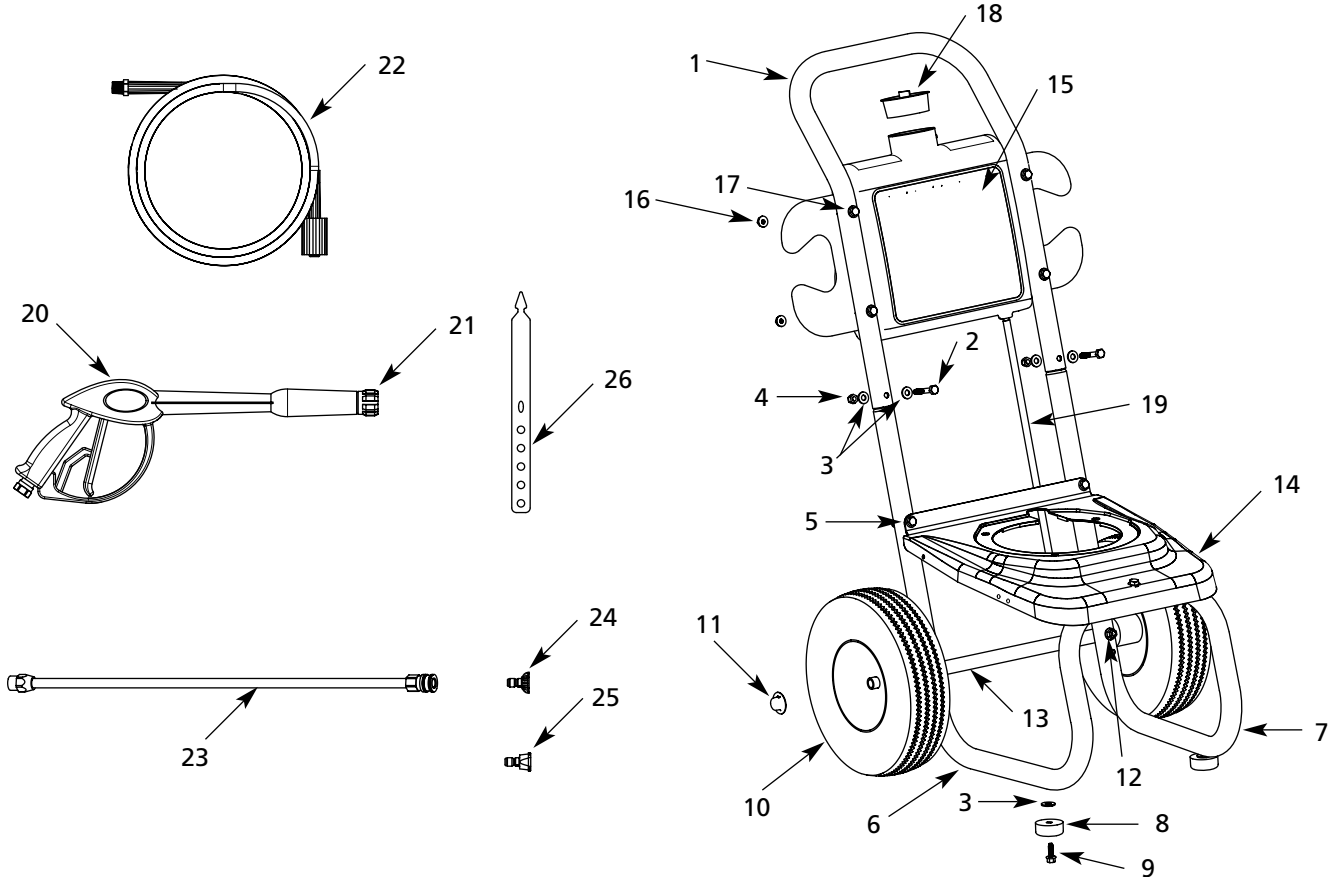
Pour pièces de rechange, appeler 1-800-330-0712

S'il vous plaît fournir l'information suivante :

- Numéro du Modèle
- Numéro de Série (si présent)
- Description de la Pièce et son numéro sur la liste

Correspondance :

Campbell Hausfeld
 Attn: Customer Service
 100 Mundy Memorial Drive
 Mt. Juliet, TN 37122



No de Ref.	Description	Numero de pièce	Qté
1	Tube du manche	PM344830BH	1
2 *	Boulon, 6,4 mm (1/4 po) - 20 (manche)	PM001903AV	2
3 *	Rondelle plate	PM002000AV	18
4 *	Écrou de serrage en nylon, 1/4 po - 20	ST073808AV	7
5 *	Boulon, 6,4 mm (1/4 po) - 20 (Base)	PM001902AV	3
6	Patte, gauche	PM344828BH	1
7	Patte, droite	PM345100BH	1
8	Pare-chocs en caoutchouc	AL062300AV	2
9 *	Vis autotaraudeuse 1/4 po - 20 x 3/4 po	MJ102100AV	2
10	Roue	WA005600AV	2
11	Écrou poussoir	PM066300AV	2
12 *	Boulon, 6,4 mm (1/4 po) - 20 (Arbre de roue)	PM001904AV	2
13	Arbre de roue	PM344831BH	1
14	Plaque de base	PM345520AV	1

No de Ref.	Description	Numero de pièce	Qté
15	Réservoir de Détergent	PM252000SJ	1
16	Écrou dentelé, 6,4 mm (1/4 po) - 20	PM031101AV	4
17	Boulon, 1/4 po - 20 (Réservoir)	MJ101104AV	4
18	Capuchon	PM252450AV	1
19	Tube de détergent	PM013700SV	1
20	Pistolet	PM005136AV	1
21	Joint torique (Pistolet)	PM245800SV	1
22	Tuyau	PM344302AV	1
23	Lance	PM035120AV	1
24	Buse, 15° (jaune)	PM039880AV	1
25	Buse, 65° (noire)	PM039820AV	1
26	Porte-buse, buse QC à connexion rapide	PM344304AV	1

* Disponible à votre quincaillerie locale.

Accessoires de buse disponibles sur commande pour PW2515 : (non fourni avec l'appareil)

Buse, 0° (rouge)	PM039870AV
Buse, 25° (vert)	PM039890AV
Buse, 40° (blanc)	PM039900AV

Pulvérisateur Haute Pression

Tableau de dépannage - Pulvérisateur haute pression à essence seulement

Symptôme	Cause(s) possible(s)	Mesure(s) corrective(e)
Le moteur ne démarre pas ou démarre difficilement	<ol style="list-style-type: none"> 1. Aucune essence dans le réservoir de carburant ou dans le carburateur 2. Niveau d'huile faible 3. Commutateur démarrage/arrêt est en position d'arrêt 4. De l'eau dans l'essence ou carburant vieux 5. Filtre d'air sale 6. Bougies sales, mauvais écart ou mauvais type 7. Pistolet de pulvérisation fermé 8. Autres causes 	<ol style="list-style-type: none"> 1. Remplissez le réservoir d'essence, ouvrez la soupape d'arrêt Vérifiez la conduite d'essence et le carburateur 2. Vérifiez le niveau d'huile. Remplissez au besoin 3. Déplacez le commutateur en position de démarrage 4. Vidangez le réservoir de carburant et le carburateur. Utilisez du nouveau carburant et asséchez la bougie 5. Retirez, nettoyez et remplacez 6. Nettoyez, ajustez l'écart ou remplacez 7. Pressez la gâchette de pulvérisation 8. Consultez le manuel du propriétaire du moteur
Râtés du moteur ou manque de puissance	<ol style="list-style-type: none"> 1. Filtre d'air partiellement bloqué 2. Bougies sales, mauvais écart ou mauvais type 	<ol style="list-style-type: none"> 1. Retirez, nettoyez et remplacez 2. Nettoyez, ajustez l'écart ou remplacez
Faible pression et/ou pompe tourne de manière irrégulière	<ol style="list-style-type: none"> 1. Embout usé ou de mauvaise taille 2. Filtre d'entrée de la pompe bloquée 3. Joints hydrauliques usés, abrasifs dans l'eau ou usure normale 4. Entrée ou soupapes de décharge polluées ou sales 5. Entrée restreinte 6. Entrée ou soupapes de décharge usées 7. Fuite de flexible haute pression 8. Pompe aspire de l'air 9. Joint de soupape de décharge défectueux ou usé 	<ol style="list-style-type: none"> 1. Remplacez en utilisant un embout de la bonne taille 2. Nettoyez. Vérifiez plus souvent 3. Vérifiez le filtre. Remplacez les joints hydrauliques. Consultez le centre de réparations 4. Nettoyez les assemblages de soupape de décharge et d'entrée. Vérifiez le filtre 5. Vérifiez le tuyau d'arrosage qui pourrait être enfoncé ou tortillé. Vérifiez le débit d'eau d'entrée 6. Remplacez les soupapes usées 7. Remplacez le flexible haute pression 8. Assurez-vous que les tuyaux et raccords soient bien serrés 9. Vérifiez et remplacez
Fuite d'eau sous le collecteur de pompe	Joints hydrauliques usés	Installez de nouveaux joints hydrauliques. Consultez le centre de réparations.
De l'eau dans le carter de la pompe (huile crémeuse)	<ol style="list-style-type: none"> 1. Condensation d'air humide dans le carter 2. Fuites d'huile 	<ol style="list-style-type: none"> 1. Changez l'huile tel qu'indiqué dans l'horaire d'entretien 2. Installez de nouveaux joints d'huile. Consultez le centre de réparations.
Défaillance fréquente ou prématurée des joints hydrauliques de la pompe	<ol style="list-style-type: none"> 1. Pistons usés ou endommagés et rayés 2. Matériau abrasif dans le fluide 3. Température d'eau d'entrée trop élevée 4. Surpression de la pompe 5. Trop de pression suite à un embout endommagé ou partiellement bloqué 6. Pompe tourne trop longtemps sans pulvériser 7. Pompe tourne à sec 	<ol style="list-style-type: none"> 1. Installez de nouveaux pistons. Consultez le centre de réparations. 2. Installez la bonne filtration sur la plomberie d'entrée de la pompe 3. Vérifiez la température de l'eau; ne doit pas dépasser 38°C. 4. Ne modifiez pas les réglages en usine 5. Nettoyez ou remplacez l'embout 6. Ne faites jamais fonctionner la pompe pendant plus de 2 minutes sans pulvériser 7. Ne pompez pas sans eau
Forte pompage à l'entrée et faible pression	Particules étrangères dans la soupape d'entrée ou de décharge ou soupapes de décharge et/ou entrée usées	Nettoyez ou remplacez les soupapes. Consultez le centre de réparations.
Fuite d'huile entre le moteur et la pompe	Joints d'huile et/ou joint torique usés	Remplacez les joints d'huile et/ou joints toriques. Consultez le centre de réparations.
Pression fluctuante	<ol style="list-style-type: none"> 1. Soupape usée, sale ou bloquée 2. Pompe aspire de l'air 3. Embout bloqué 	<ol style="list-style-type: none"> 1. Vérifiez et remplacez 2. Assurez-vous que les flexibles et raccords sont serrés. Drainez l'air du tuyau d'arrosage 3. Vérifiez ou remplacez
Chutes de pression après la période d'utilisation normale	<ol style="list-style-type: none"> 1. Joints hydrauliques de pompe usés 2. Gicleur usé 3. Soupape usée, sale ou bloquée 4. Joint de soupape de décharge usé ou sale 	<ol style="list-style-type: none"> 1. Vérifiez et remplacez 2. Vérifiez et remplacez 3. Vérifiez, nettoyez ou remplacez 4. Vérifiez, nettoyez ou remplacez
Pompe bruyante/pompe fonctionne de manière irrégulière	<ol style="list-style-type: none"> 1. Pompe aspire de l'air/faible alimentation d'eau 2. Soupapes sales ou usées 3. Roulements usés 4. Eau trop chaude 	<ol style="list-style-type: none"> 1. Assurez-vous que les raccords sont bien serrés. Augmentez la pression d'eau 2. Vérifiez, nettoyez ou remplacez 3. Vérifiez et remplacez 4. Réduisez la température sous 38°C
Ne tire pas de détergent	<ol style="list-style-type: none"> 1. L'embout n'est pas poussé assez loin. 2. Blocage, tortillement ou trou dans le flexible d'aspiration du détergent 3. Flexible trop long 4. Le jet ne fonctionne pas correctement 	<ol style="list-style-type: none"> 1. Poussez l'embout vers l'avant aussi loin que possible 2. Si c'est propre, étirez ou remplacez le flexible. 3. Utilisez seulement la longueur fournie lors de l'achat initial du pulvérisateur haute pression. L'aspiration de détergent ne fonctionne pas si plus d'une section de flexible est fixé à l'appareil. 4. Retirez le jet du pistolet. Si le détergent est distribué par le pistolet, le jet doit être remplacé. Si aucun détergent n'est distribué par le pistolet, retirez 1 po de tétine de détergent effilée de la pompe. Nettoyez la tétine et assurez-vous que la boule et le ressort soient bien alignés avec la partie effilée du ressort face à la boule. La boule devrait être sur le ressort.

Garantie Limitée

1. DURÉE: À partir de la date d'achat par l'acheteur originel comme suit: Deux ans.
2. GARANTIE ACCORDÉE PAR (GARANT): Campbell Hausfeld / Scott Fetzer Company, 100 Mundy Memorial Drive, Mt. Juliet, TN, 37122, Téléphone: (800) 330-0712.
3. BÉNÉFICIAIRE DE CETTE GARANTIE (ACHETEUR): L'acheteur originel (sauf en cas de revente) du pulvérisateur de lavage Campbell Hausfeld.
4. PRODUITS COUVERTS PAR CETTE GARANTIE: Tous les Pulvérisateurs de Lavage Campbell Hausfeld qui sont fournis ou fabriqués par le Garant.
5. COUVERTURE DE LA PRÉSENTE GARANTIE: Défauts de matière et de fabrication considérables qui se révèlent pendant la période de validité de la garantie avec les exceptions indiquées ci-dessous.
6. LA PRÉSENTE GARANTIE NE COUVRE PAS:
 - A. Les garanties implicites, y compris celles de commercialisabilité et D'ADAPTION À UNE FONCTION PARTICULIÈRE SONT LIMITÉES À PARTIR DE LA DATE D'ACHAT INITIALE TELLE QU'INDIQUÉE DANS LA SECTION DURÉE. Si le pulvérisateur de lavage est utilisé pour une fonction commerciale, industrielle ou pour la location, la durée de la garantie sera quatre-vingt-dix (90) jours à compter de la date d'achat. Les pulvérisateurs de lavage de marque Maxus et ceux à service extrême (extreme duty) ne sont pas limités à une garantie de quatre-vingt-dix (90) jours lorsqu'ils sont utilisés dans des applications d'entrepreneur et commerciales. Quelques Provinces (États) n'autorisent pas de limitations de durée pour les garanties implicites. Les limitations précédentes peuvent donc ne pas s'appliquer.
 - B. TOUT DOMMAGE, PERTE OU DÉPENSE FORTUIT OU INDIRECT POUVANT RÉSULTER DE TOUT DÉFAUT, PANNE OU MAUVAIS FONCTIONNEMENT DU PULVÉRISATEUR CAMPBELL HAUSFELD. Quelques Provinces (États) n'autorisent pas l'exclusion ni la limitation des dommages fortuits ou indirects. La limitation ou exclusion précédente peut donc ne pas s'appliquer.
 - C. Toute panne résultant d'un accident, de dommage pendant l'expédition, d'une utilisation abusive, de la négligence ou d'une utilisation ne respectant pas les instructions données dans le(s) manuel(s) accompagnant le produit.
 - D. Service avant livraison; montage, huile ou lubrifiants, et réglages par exemple.
 - E. Articles ou service normalement requis pour l'entretien du pulvérisateur de lavage.
 - F. Les moteurs à essence et les pièces détachées sont expressément exclus de cette garantie limitée. L'acheteur doit retourner les pièces détachées du moteur à essence au fabricant originel ou à son centre de service autorisé.
 - G. Articles additionnels qui ne sont pas couverts sous cette garantie:
 1. Articles d'usure normal tels que; tuyaux haute pression, joints d'huile et hydrauliques, joints toriques, soupapes, lances, et buses de pulvérisation.
 2. Brosses de moteur (Modèles électriques seulement).
 3. Les défauts esthétiques qui n'affectent pas la fonction.
 4. Pièces détachées rouillées.
 5. Usure de la pompe ou le dommage aux soupapes causé par l'utilisation de type d'huile incorrect, la contamination de l'huile ou par le manque de suivre les directives d'entretien d'huile.
7. RESPONSABILITÉS DU GARANT AUX TERMES DE CETTE GARANTIE: Réparation ou remplacement, au choix du Garant, du pulvérisateur de lavage ou de pièce détachée qui se sont révélés défectueux pendant la durée de la garantie.
8. RESPONSABILITÉS DE L'ACHETEUR AUX TERMES DE CETTE GARANTIE:
 - A. Fournir une preuve d'achat datée et un état d'entretien.
 - B. La livraison ou expédition du pulvérisateur de lavage ou pièce détachée Campbell Hausfeld au Centre De Service Autorisé Campbell Hausfeld. Taux de frais, si applicables, sont la responsabilité de l'acheteur.
 - C. Utilisation et entretien du pulvérisateur de lavage avec un soin raisonnable, ainsi que le décri(vent)t le(s) manuel(s) d'utilisation.
9. RÉPARATION OU REMPLACEMENT EFFECTUÉ PAR LE GARANT AUX TERMES DE LA PRÉSENTE GARANTIE: La réparation ou le remplacement sera prévu et exécuté en fonction de la charge de travail dans le centre de service et dépendra de la disponibilité des pièces de rechange.

Cette Garantie Limitée s'applique aux É.-U., au Canada et au Mexique seulement et vous donne des droits juridiques précis. L'acheteur peut également jouir d'autres droits qui varient d'une Province, d'un État ou d'un Pays à l'autre.

Sírvase registrar el N° de modelo y el N° de serie para usarlo cuando se ponga en contacto con el fabricante:

Modelo N° _____ Fecha de compra _____

Serie N° _____ Lugar de compra _____

Para mayor información sobre este producto, comuníquese con el distribuidor de Campbell Hausfeld más cercano a su domicilio



Modelo PW2515

Índice	Página
Conozca su lavadora a presión	2
Preguntas formuladas con frecuencia	3
Información de advertencia y seguridad	4
Previo al funcionamiento	5 - 6
Funcionamiento	6 - 9
Información técnica y mantenimiento	10
Registro de servicio	11
Lista De Repuestos	
• Bomba	12
• Carro	13
Tabla diagnóstico de averías	14
Garantía	16

Lea atentamente estas instrucciones y compréndalas antes de poner en funcionamiento su lavadora a presión

RECORDATORIO: ¡Guarde su comprobante de compra con fecha para fines de la garantía! Adjúntela a este manual o archívela en lugar seguro.

Conozca su lavadora a presión



PW2515

- | | | | |
|---|--|----|---|
| 1 | Tanque de Detergente | 8 | Pistola con gatillo |
| 2 | Silenciador | 9 | Tanque de combustible |
| 3 | Ubicación del número de serie/etiqueta adhesiva del producto | 10 | Toma de aire |
| 4 | (Bomba) conexión de entrada para la manguera de jardín | 11 | Interruptor de encendido/apagado (on/off) del motor |
| 5 | Lanza con conexión rápida | 12 | Válvula del combustible abierto/cerrado (on/off) |
| 6 | Soporte para boquilla con boquillas de pulverización | 13 | (Bomba) conexión de salida para la manguera de alta presión |
| 7 | Mango | | |

Preguntas formuladas con frecuencia

¿Cómo enciendo mi lavadora a presión?

1. Asegúrese de que tiene gasolina y aceite en el motor. El motor SE ENTREGA SIN ACEITE.
2. Abra el pase de agua, luego presione el gatillo para asegurarse de que el agua fluya con facilidad desde la boquilla.
3. Abra la válvula de cierre de combustible girando la perilla en sentido antihorario hasta que llegue al tope.
4. Cierre la toma de aire (si el motor está frío) moviendo el anillo de la toma de aire totalmente a la derecha.
5. Coloque la válvula de cierre de combustible en "ON" (abierto).
6. Hale el gatillo (para aliviar toda retropresión de la bomba) mientras hala el cordón de arranque.

¿Qué tipo de aceite uso?

EL MOTOR SE ENTREGA SIN ACEITE. Vea la página Sp 10 para los tipos y cantidades de aceite y las instrucciones para los cambios de aceite.

Bomba: La bomba se entrega con la cantidad correcta de aceite y no debe necesitar cambios o cantidades adicionales. Refiérase a las páginas 9 y 10 de este manual para las instrucciones del cambio de aceite, los tipos y cantidades de aceite.

¿Por qué no tengo presión de agua? ¿Por qué no tengo presión de agua?

- ¿La manguera de agua está conectada a la lavadora a presión?
- ¿Está abierta el agua?
- Verifique si hay algún pliegue, pérdida u obstrucción en las mangueras, accesorios o en la boquilla.
- ¿La boquilla de 15° (amarilla) ha sido insertada en el extremo de la lanza (ver página Sp 8)?
- Revise la rejilla del filtro de entrada para verificar si tiene residuos.

¿Cómo consigo presión alta?

- Para alta presión, inserte la boquilla de 15° (amarilla) en el extremo de la lanza (ver página Sp 8).

¿Cómo hago para que funcione la succión de jabón?

1. Conecte el tubo de plástico transparente de succión de productos químicos al conector plástico dentado de la manguera que se encuentra en el tanque de detergente.
2. Llene el tanque de detergente con un detergente formulado para usar con lavadoras a presión.

3. Para pulverizar jabón, inserte la boquilla de 65° (negra) para el jabón en el extremo de la lanza (ver página Sp 8).

¿Por qué la lavadora a presión no aplica detergentes con presión alta?

Los detergentes "resbalan" de las superficies de limpieza tan pronto como se apliquen. Las características de la lavadora de presión permiten que el detergente se succione sólo en el modo de presión baja. Aplicando el detergente en baja presión, se reduce el efecto de "resbalamiento". Además, los detergentes son eficaces cuando se permite un tiempo de contacto para que trabajen en la superficie de lo que se quiera limpiar. Después de aplicar el detergente, deje que trabaje de 1 a 3 minutos, y luego proceda a enjuagar la superficie con alta presión.

¿Qué tipo de mantenimiento debo realizar en mi lavadora a presión?

1. Después de apagar la lavadora a presión y el agua, despresurice la manguera presionando el gatillo de la pistola.
2. Quite la manguera de jardín y la manguera de alta presión de la bomba.
3. Tire del cordón de encendido lentamente cinco veces para purgar el agua de la bomba. Esto ayudará a proteger a la bomba contra los daños.
4. No guarde su lavadora a presión en un área en la que la temperatura pueda descender a menos de 0° C.
5. Siga las instrucciones para el almacenamiento y preparación invernal adecuados, en pág. Sp 9.

¿Qué hago si me falta una pieza?

Llame a Campbell Hausfeld al 1800-330-0712 y reemplazaremos rápidamente las piezas faltantes. **¡NO DEVUELVA LA LAVADORA DE PRESIÓN AL COMERCIANTE!**

¿Dónde puedo comprar accesorios para mi lavadora a presión?

- Para mayor información sobre este producto, comuníquese con el distribuidor de Campbell Hausfeld más cercano a su domicilio.

¿A quién llamo si tengo preguntas o problemas?

Llame a Campbell Hausfeld al
1-800-330-0712 (U.S.A.)

Información de Advertencia y seguridad

Medidas de seguridad

Este manual contiene información que es muy importante que sepa y comprenda. Esta información se la suministramos como medida de SEGURIDAD y para EVITAR PROBLEMAS CON EL EQUIPO. Debe reconocer los siguientes símbolos.

⚠ PELIGRO Peligro indica que hay una situación de peligro inminente que si no se evita, le OCASIONARÁ la muerte o heridas de gravedad.

⚠ ADVERTENCIA Advertencia le indica que hay una situación potencialmente peligrosa que, si no evita le PODRÍA ocasionar la muerte o heridas graves.

⚠ PRECAUCION Precaución le indica que hay una situación potencialmente peligrosa que si no se evita PUEDE ocasionarle lesiones moderadas o menores.

⚠ AVISO Aviso le indica que se trata de información importante que de no seguirla le podría ocasionar daños al equipo.

NOTA: Información que requiere atención especial.

Instrucciones de Seguridad Importantes

GUARDE ESTAS INSTRUCCIONES

⚠ ADVERTENCIA

Cuando use este producto, siempre debe cumplir con las precauciones básicas, incluyendo lo siguiente:

1. Lea todas las instrucciones antes de usar el producto.
2. Para reducir el riesgo de lesión, es necesario una supervisión atenta cuando el producto se utiliza cerca de los niños.
3. Cumpla con todos los códigos de seguridad así como también con la Ley sobre salud y seguridad ocupacional (OSHA).
4. Asegúrese de que los dispositivos de seguridad estén funcionando adecuadamente antes de cada uso. NO quite ni modifique ninguna pieza de la pistola o de la unidad.
5. Aprenda cómo detener este producto y purgar la presión rápidamente. Familiarícese con los controles.
6. Permanezca alerta, mire lo que está haciendo.
7. No haga funcionar este producto cuando esté fatigado o bajo la influencia de alcohol o fármacos.
8. Mantenga el área de funcionamiento sin personas.
9. No se estire ni se pare en apoyos inestables. Mantenga un buen apoyo y equilibrio en todo momento.
10. Siga las instrucciones de mantenimiento especificadas en el manual.

⚠ ADVERTENCIA Riesgo de inyección o lesión severa. Mantenga la boquilla libre. No apunte los chorros a las personas. Este producto debe ser usado sólo por operadores capacitados. Siempre quite la lanza de la pistola antes de limpiar restos de la punta.

- Manténgase alejado de la boquilla. NUNCA dirija el rociado de alta presión a otra persona, animal o a sí mismo.
- Use siempre gafas protectoras y equipo de protección (protección para los oídos, guantes, botas de goma, vestimenta protectora) cuando haga funcionar o le haga el mantenimiento a la máquina.
- Nunca ponga su mano ni sus dedos sobre la punta de rociado mientras la unidad está en funcionamiento.
- Nunca intente detener o desviar pérdidas con ninguna parte de su cuerpo.
- Siempre coloque el seguro del gatillo en la posición de seguridad cuando deja de rociar, incluso si se detiene sólo por unos momentos.
- Siempre siga las recomendaciones que aparecen en la etiqueta del fabricante del detergente. Protéjase siempre los

ojos, la piel y el sistema respiratorio contra el uso del detergente.

⚠ ADVERTENCIA No use una presión que exceda la presión de funcionamiento de cualquiera de las piezas (mangueras, accesorios, etc.) del sistema presurizado. Asegúrese de que todo el equipo y los accesorios estén clasificados para soportar la presión de funcionamiento máxima de la unidad.

⚠ ADVERTENCIA Peligro de explosión.

- NUNCA rocíe líquidos inflamables ni utilice la lavadora a presión en áreas que contengan polvos, líquidos o vapores combustibles.
- Nunca haga funcionar esta máquina en un edificio cerrado o en un ambiente que presente riesgo de explosión o próximo al mismo.
- No quite la tapa del tanque de combustible ni llene el tanque de combustible mientras el motor está caliente o en funcionamiento (permita que el motor se enfríe durante dos minutos antes de volver a cargarlo). Siempre llene el tanque lentamente.
- Nunca desconecte la manguera de descarga de alta presión de la máquina mientras el sistema está presurizado. Para despresurizar la máquina, apague la fuente de energía y cierre el suministro de agua, luego presione el gatillo de la pistola 2 ó 3 veces.
- Nunca trabe permanentemente el mecanismo de gatillo de la pistola.
- Nunca haga funcionar la máquina sin todos los componentes adecuadamente conectados a la máquina (mango, ensamblaje de la pistola / varilla, boquilla, etc.).

⚠ AVISO

Daño al equipo.

- SIEMPRE ABRA el suministro de agua antes de ENCENDER la lavadora de presión. Hacer funcionar la bomba en seco provocará daños graves.
- No haga funcionar la lavadora a presión sin la pantalla de agua de entrada. Mantenga la pantalla libre de restos y sedimentos.
- NUNCA haga funcionar la lavadora a presión con piezas rotas o faltantes. Revise el equipo con regularidad y repare o reemplace inmediatamente las piezas desgastadas o dañadas.
- Use sólo la boquilla que se proporciona con esta máquina.
- Nunca deje la varilla sin atención mientras la máquina está funcionando.
- Nunca intente modificar el controlador del motor ni intente alterar el ajuste de fábrica. La alteración del ajuste de fábrica puede dañar la unidad y anular la garantía.
- Siempre sostenga la pistola y la varilla con firmeza cuando inicie y maneje la máquina.
- NUNCA permita que la unidad funcione con el gatillo suelto (sin activar) durante más de un minuto. El calor resultante se acumulará y dañará la bomba.
- NUNCA guarde la lavadora a presión a la intemperie o en un lugar donde pueda congelarse. Las temperaturas por debajo del punto de congelamiento pueden dañar seriamente la bomba.
- Libere el gatillo cuando cambie entre los modos de alta y baja presión. Si no lo hace puede dañar la boquilla.

⚠ PRECAUCION Mantenga la boquilla alejada de objetos filosos. Las mangueras que explotan pueden causar lesiones. Inspeccione regularmente las mangueras y reemplácelas si están dañadas. No intente reparar una manguera dañada.

Antes de Poner en Funcionamiento

DESEMPACADO

Retire el equipo y todas las piezas de la caja. La caja debe contener lo siguiente.

- Una lavadora a presión (bomba, motor, base del carro)
- Un ensamblaje para el mango del carro
- Un tanque de detergente
- Una pistola rociadora
- Una lanza
- Un soporte para boquilla con 2 boquillas. *Por boquillas adicionales para la venta, ver página Sp 13*
- Una manguera de alta presión
- Un paquete con tuercas, pernos y manuales
- Una botella de aceite para motor

Si falta alguna pieza, **NO DEVUELVA LA UNIDAD AL REVENDEDOR.**

Conozca el número de modelo de la unidad (ubicado en la etiqueta del número de serie en el marco de la lavadora a presión). Llame a Campbell Hausfeld al 1-800-330-0712 (U.S.A.).

Después de desempacar el producto, inspecciónelo detenidamente para detectar cualquier daño que pueda haber ocurrido durante su traslado. Asegúrese de ajustar todos los accesorios y tuercas antes de usar la lavadora a presión.

ADVERTENCIA No ponga en funcionamiento la unidad si se dañó durante el envío, la manipulación o el uso. Un daño puede dar como resultado una explosión y causar lesiones o daño a la propiedad.

ENSAMBLAJE

Utilice dos llaves ajustables o de 7/16" para ensamblar la lavadora a presión.

1. Deslice el ensamblaje del mango sobre las patas inferiores de la base del carro. Utilice la tuerca y el perno estándar para asegurar la pata trasera derecha. Vea la Figura 1.



Figura 1 - Ensamblaje del mango

2. Sujete el tanque de detergente a la parte de atrás del mango. Use los 4 pernos hexagonales con la arandela plana bajo la cabeza hexagonal y las 4 tuercas incluidas.



Figura 2 - Conexión de la bomba

3. Deslice la manguera plástica transparente unida a la pata en el conector dentado de plástico negro de la manguera del tanque de detergente (vea la Figura 3).
4. **Adaptador giratorio de bronce** (vea la Figura 2). Si ya no está conectado a la entrada de la bomba, arme el eslabón adaptador y conéctelo a la entrada de la bomba (Figura 4 y Figura 5). Asegúrese de conectar el lado correcto del eslabón adaptador a la bomba.



Figura 3 - Conecte el tubo de succión al conector dentado

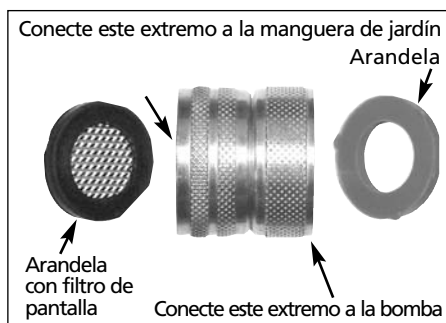


Figura 4 - Eslabón adaptador de bronce



Figura 5 - Conecte el eslabón adaptador a la bomba

Antes de Poner en Funcionamiento (Continuación)

5. Asegure la manguera de jardín (no se incluye) a la conexión de entrada de la bomba.
6. Conecte la manguera de alta presión a la salida de la bomba (vea las Figuras 2 y 6).

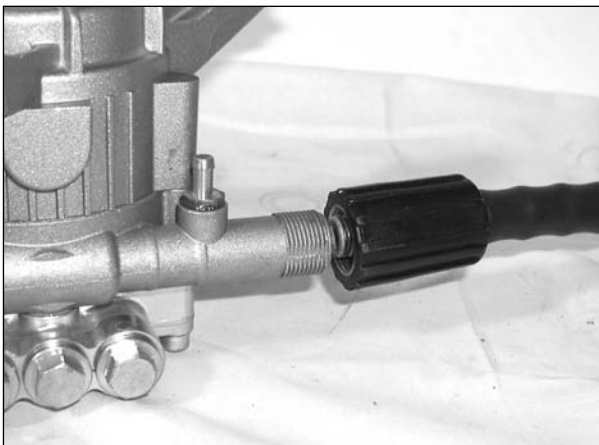


Figura 6 – Conecte la manguera de alta presión a la bomba

7. Conecte la lanza con la boquilla a la pistola (vea la Figura 7).



Figura 7 – Conecte la lanza a la pistola

8. Instale la boquilla de conexión rápida halando hacia atrás el anillo retráctil y presione la boquilla hacia adentro. Suelte el anillo, asegúrese de que vuelva por completo a su posición hacia adelante y que la boquilla quede firmemente insertada (ver figura 8).

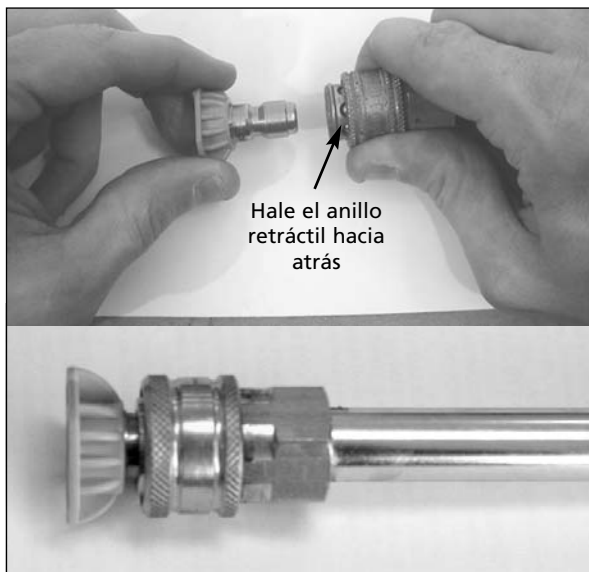


Figura 8 – Instalación de la boquilla de conexión rápida

9. Instale las boquillas de conexión rápida en el soporte para boquillas y sujételo al mango de la lavadora a presión. Vea la figura 9.

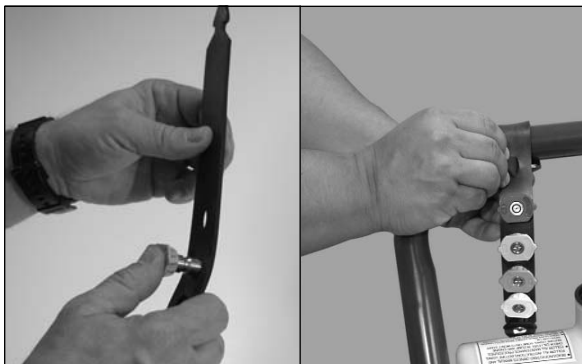


Figura 9 – Inserte las boquillas de pulverización en el soporte de caucho

SEGURO DEL GATILLO

En la posición de trabado, el seguro evita que la pistola se dispare accidentalmente. Presione el seguro totalmente hacia abajo para destrabarlo (Ver Figura 10).

Siempre trabe el seguro del gatillo cuando la unidad no se está usando.

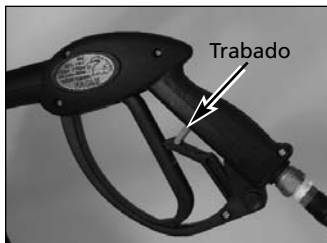


Figura 10a - Gatillo trabado



Figura 10b - Gatillo sin trabar

Funcionamiento

1. Preparación de la Superficie

El siguiente procedimiento de limpieza le ayudará a organizar su tarea de limpieza y asegura que logrará el mejor resultado en la menor cantidad de tiempo. Recuerde usar las técnicas de rociado/ limpieza que se mencionan en las secciones siguientes.

Antes de comenzar un trabajo de limpieza de lavado a presión, prepare la superficie que pretende limpiar. Despeje el mobiliario del área y asegúrese de que todas las ventanas y puertas estén bien cerradas. Además proteja todas las plantas y árboles próximos al área de limpieza cubriéndolos con una tela. Al cubrirlos se asegura que sus plantas no sean rociadas con los detergentes.

2. Encendido

AVISO

Si el agua se ha congelado en la lavadora a presión, descongele la lavadora a presión en una habitación templada antes de encenderla. NO vierta agua caliente sobre o dentro de la bomba; esto puede dañar las piezas interiores.

1. Verifique los niveles de aceite del motor. Agregue aceite según sea necesario.
2. Revise el nivel de combustible.

ADVERTENCIA

No agregue combustible a un motor caliente. Recargar combustible en un motor caliente puede causar un incendio. Use sólo gasolina sin uso, limpia, regular o sin plomo. Cierre la válvula de corte de combustible durante la recarga.

3. Conecte una manguera de jardín al lado interno de la bomba y conéctela al suministro de agua. Utilice una manguera con un diámetro interior de 15,9 mm (5/8") y un largo de 15 m (50 pies) o menos.

AVISO

Algunos códigos locales de plomería exigen una prevención de retroceso cuando se realiza una conexión a un suministro de agua fresca. Instale un dispositivo para evitar el retroceso del flujo de agua de la bomba si fuera necesario.

- a. Si la presión de entrada de agua es superior a 6,90 bar, instale una válvula reguladora de agua en la conexión de la manguera de jardín.
- b. No supere una temperatura de entrada de agua de 38° C (100°F).

NOTA: El suministro de agua de entrada debe tener una velocidad mínima de flujo de 19 lpm.

4. ABRA el suministro de agua.

AVISO

Nunca haga funcionar la unidad sin agua. Asegúrese de que el suministro de agua esté totalmente abierto antes de hacer funcionar la unidad.

5. Hale el gatillo de la pistola hasta que pulverice el agua suavemente de la boquilla indicando que todo el aire ha sido purgado del sistema. Trabe el seguro del gatillo.
6. Abra la válvula del combustible girando la perilla en sentido antihorario hasta que llegue al tope. Cierre la toma de aire (si el motor está frío) moviendo el anillo de la toma de aire totalmente a la derecha. Coloque el interruptor de encendido en la posición "ON" (encendido).

7. Encienda el motor (Ver Figura 11). Destrahe el seguro del gatillo en la pistola. Tome el cordón de encendido y coloque un pie sobre el armazón. Apunte la pistola en una dirección segura. Mientras presiona el gatillo en la pistola, tire del cordón de encendido con un movimiento rápido y firme (Ver Figura 11). Continúe sosteniendo el cordón cuando regrese. Repita estos pasos hasta que el motor se encienda.



Figura 11 - Encienda el motor

PRECAUCION

Cuando tire del cordón de encendido, asegúrese de mantener sus manos y brazos alejados del motor y de los componentes del carro.

AVISO

Nunca deje que el cordón de encendido regrese por sí solo. Hacer esto podría trabar el sistema de retroceso.

8. Si el motor no se enciende después de tirar tres veces o si el cordón está demasiado duro para tirarlo, apriete el gatillo de la pistola y libere la presión acumulada en la manguera de alta presión. Repita los pasos 7 y 8 hasta que se encienda el motor.

3. Enjuague Inicial de Alta Presión

Rocíe la superficie a limpiar con agua para quitar la suciedad o las manchas que puedan haberse acumulado sobre la superficie. Hacer esto permite que el detergente ataque la suciedad profunda que se ha introducido dentro de la superficie a limpiar.

ÁNGULO CON RESPECTO A LA SUPERFICIE A LIMPIAR

Cuando rocíe agua contra una superficie, puede generar un impacto máximo al apuntar a la superficie en un ángulo perpendicular. Sin embargo, este tipo de impacto puede causar que las partículas de suciedad se incrusten en la superficie evitando así que se logre la acción deseada.

El mejor ángulo para rociar el agua contra la superficie de limpieza es de 45°.

Rocíe agua contra una superficie en un ángulo de 45 grados para lograr el impacto de mayor beneficio y quitar de esta forma los restos eficientemente.

Funcionamiento (Continuación)



Figura 12 - Mejor ángulo de limpieza de superficies

DISTANCIA A LA SUPERFICIE DE LIMPIEZA

La distancia entre la boquilla de rociado y la superficie de limpieza es otro factor que afecta la fuerza de impacto del agua. La fuerza de impacto del agua aumenta a medida que la boquilla se acerca a la superficie.

CÓMO EVITAR DAÑOS A LA SUPERFICIE

El daño a las superficies de limpieza ocurre cuando la fuerza de impacto del agua excede la resistencia de la superficie. Puede variar la fuerza de impacto variando el ángulo de la boquilla de pulverización con la superficie de limpieza, la distancia de la superficie, y cambiando la boquilla. NUNCA utilice un chorro angosto de alto impacto sobre una superficie propensa a ser dañada. Evite rociar las ventanas con un chorro angosto de alto impacto. Hacer esto puede quebrar la ventana. La forma más segura de evitar dañar las superficies es seguir estos pasos:

1. Antes de halar el gatillo de la pistola, asegúrese de que la boquilla que está usando es apropiada para el uso.
2. Coloque la boquilla aproximadamente a 4-5 pies (1,22 – 1,52 m) de distancia de la superficie de limpieza. Luego sostenga la boquilla en un ángulo de 45 grados con respecto a la superficie de limpieza. Hale el gatillo.
3. Varíe el ángulo de rociado del patrón de abanico y la distancia a la superficie de limpieza hasta que se logre una eficiencia de limpieza óptima sin dañar la superficie.

El color de la punta muestra cuál ángulo de rociado es:

Rojo – 0° - Máximo trabajo pesado*

Amarillo – 15° - Trabajo pesado

Verde – 25° - Trabajo general*

Blanco – 40° - Trabajo liviano*

Negro – 65° - Detergente a baja presión

* = No se incluye

4. Aplicación de Detergente

NOTA: Use sólo detergentes formulados para lavadora a presión. Pruebe el detergente en un área poco aparente antes de usarlo.

DETERGENTES

El uso de detergentes puede reducir en gran forma el tiempo de limpieza y puede ayudar a quitar las manchas difíciles. Muchos detergentes están diseñados para ser usados con lavadoras a presión en tareas de limpieza específicas. Los detergentes para lavadoras a presión son igual de espesos que el agua. Si se utilizan detergentes más espesos, como por ejemplo detergentes para lavar vajilla, obstruirán el sistema de inyección de productos químicos y evitarán la aplicación de detergentes.

Una vez aplicados a la superficie a limpiar, los detergentes toman un tiempo para ejercer una acción sobre la suciedad y las manchas. Los detergentes funcionan mejor cuando se aplican a baja presión.

Usted puede limpiar superficies de un modo efectivo combinando la acción química de los detergentes junto con los enjuagues de alta presión. Sobre superficies verticales, aplique el detergente de abajo hacia arriba. Este método evita que el detergente se deslice y provoque marcas. Comience el enjuague con alta presión de abajo hacia arriba. En manchas particularmente difíciles, utilice un cepillo en combinación con los detergentes y el enjuague a alta presión.

1. Siga las indicaciones del fabricante, que aparecen en la etiqueta, para utilizar las concentraciones de mezcla correctas de los jabones/detergentes. La proporción de jabón/detergente con respecto al agua para la bomba es de aproximadamente 12% (1 a 8).
2. Vierta el detergente dentro del tanque de detergente. La capacidad del tanque es de 1,5 galones.
3. Instale la boquilla (negra) de 65° para detergente a baja presión en la conexión rápida en el extremo de la lanza.

ADVERTENCIA NUNCA reemplace una boquilla de conexión rápida cuando el gatillo de la pistola esté presionado. Siempre trabe el seguro del gatillo de la pistola antes de quitar o instalar las boquillas de conexión rápida.

CONSEJOS GENERALES DE LIMPIEZA

1. Aplique el detergente para que cubra totalmente la superficie a limpiar. Aplique el detergente de abajo hacia arriba para evitar que éste se deslice hacia abajo y deje marcas. Espere un par de minutos para que el detergente actúe sobre la suciedad y las manchas. Utilice un cepillo para cepillar levemente las áreas más sucias. Nunca permita que el detergente se seque sobre la superficie a limpiar.
2. Reemplace la boquilla negra de 65° de conexión rápida con la boquilla amarilla de 15° y termine el enjuague final.

ADVERTENCIA NUNCA reemplace una boquilla de conexión rápida cuando el gatillo de la pistola esté presionado. Siempre trabe el seguro del gatillo de la pistola antes de quitar o instalar las boquillas de conexión rápida.

3. NOTA: Después de usar detergentes, enjuague el sistema de succión lavando el tanque con agua limpia y trabajando la unidad con la boquilla negra de 65° enjuagando con agua limpia el tanque y la bomba.

Funcionamiento (Continuación)

5. Poder de limpieza

La forma más fácil de regular el poder de limpieza de su lavadora a presión es cambiando la distancia a la superficie que está limpiando. La forma más fácil de regular el poder de limpieza de su lavadora a presión es cambiando la distancia a la superficie que está limpiando. Empiece a pulverizar desde varios pies de distancia de la superficie. Acérquese lentamente al objeto que está limpiando hasta que encuentre la técnica de limpieza más eficaz.

6. Enjuague Final

El enjuague final debe comenzar de abajo hacia arriba. Asegúrese de enjuagar totalmente la superficie y de quitar todo el detergente.

7. Procedimiento de liberación de presión

Para reducir el riesgo de lesiones corporales o daño a la propiedad, siempre siga este procedimiento cuando detiene el rociado, cuando finaliza el trabajo y antes de revisar o reparar cualquier parte del sistema.

1. Coloque el seguro del gatillo.
2. Apague la unidad.
3. Cierre el suministro de agua.
4. Suelte el seguro del gatillo y apriete el gatillo de la pistola para liberar la presión.
5. Vuelva a colocar el seguro del gatillo.
6. Cuando revise o repare la unidad, retire de la bujía el cable de ignición.
7. Antes de guardarla hasta el otro día, durante mucho tiempo, o antes de trasladar la unidad, desconecte el suministro de agua y cierre la válvula de suministro de combustible.

8. Apagado

1. Asegúrese de enjuagar todo el detergente del sistema.
2. Apague el motor.
3. Cierre el suministro de agua.
4. Después de apagar el motor y cerrar el suministro de agua, presione el gatillo de la pistola para despresurizar el sistema.

AVISO

NUNCA cierre el suministro de agua antes de apagar el motor.

Pueden ocurrir daños graves a la bomba y/o al motor.

PRECAUCION

Nunca desconecte la manguera de descarga de alta presión

desde la máquina mientras el sistema está presurizado. Para despresurizar apague el motor; cierre el suministro de agua y presione el gatillo 2-3 veces.

5. Después de cada uso, limpie todas las superficies con un paño húmedo y limpio.
 - Nunca vaya a guardar la lavadora a presión a la intemperie.
 - No guarde la lavadora a presión en un lugar en el que pueda congelarse, a menos que haya sido preparada adecuadamente para el invierno.

9. Almacenamiento

INSTRUCCIONES PARA ALMACENAMIENTO A LARGO PLAZO (MÁS DE 30 DÍAS)

1. Quite el combustible del tanque y haga funcionar la lavadora a presión en el modo de funcionamiento normal hasta que el motor se detenga por falta de combustible. El modo de funcionamiento normal significa que funciona rociando agua realmente de la pistola mientras el motor está funcionando.
Método alternativo – Agregue un estabilizador de combustible a la gasolina en el tanque y haga funcionar en el modo de funcionamiento normal durante un mínimo de cinco minutos.
2. Detenga el motor, apague el suministro de agua, y presione el gatillo de la pistola para liberar la presión en la manguera de alta presión.
3. Desconecte el suministro de agua y la manguera de alta presión de la bomba.
4. Deje que se enfríe el motor.
5. Desconecte el cable de la bujía y a continuación quite la bujía.
6. Vierta 1/2 oz. de aceite para motor en el orificio de la bujía.

⚠ ADVERTENCIA **Nunca tire del cordón de encendido del motor cuando la bujía no está colocada, a menos que el orificio de la bujía esté cubierto. Los vapores del combustible del orificio pueden encenderse con una chispa.**

7. Coloque un trapo sobre el orificio de la bujía y lentamente tire del cordón de encendido varias veces para distribuir el aceite.

INSTRUCCIONES DE PREPARACIÓN PARA EL INVIERNO

1. Siga y complete todas las instrucciones para almacenamiento a largo plazo que se encuentran arriba.
2. Desconecte el cable de la bujía.
3. Desconecte la manguera de alta presión de la bomba.
4. Introduzca un trozo de manguera de jardín de 30,48 cm (12") a 35,56 cm (14") dentro de la entrada de la bomba.
5. Coloque un embudo en el otro extremo de la manguera de jardín.

AVISO

Lea las instrucciones del fabricante para manejar y

desechar con seguridad el anticongelante RV.

6. Vierta aproximadamente 177 mL (6 oz.) de anticongelante RV dentro del embudo.
7. Tire del cordón de encendido varias veces hasta que el anticongelante RV salga por la salida de la bomba.
8. Desconecte la manguera de alta presión de la pistola y drene la manguera. Sostenga la pistola y la lanza en posición vertical y presione el gatillo para drenar el agua.

CONSEJOS PARA PROLONGAR LA VIDA DE SU LAVADORA A PRESIÓN

1. Nunca haga funcionar la unidad sin agua.
2. Su lavadora a presión no está diseñada para bombear agua caliente. Nunca conecte su lavadora a presión a un suministro de agua caliente ya que esto reducirá en forma significativa la vida de la bomba.
3. Hacer funcionar la unidad durante más de un minuto sin rociar agua provoca que se acumule calor en la bomba. Hacer funcionar la unidad sin rociar agua puede dañar los componentes de la bomba.

Mantenimiento

Para asegurar una vida y un rendimiento máximos de la lavadora a presión, cumpla con intervalos de mantenimiento regulares. Remítase al plan de mantenimiento recomendado. Si usted hace funcionar la lavadora a presión en ambientes con mucho polvo, realice revisiones de mantenimiento con más frecuencia.

INSTRUCCIONES PARA EL CAMBIO DE ACEITE DEL MOTOR

PRECAUCIÓN Antes de voltear el motor o el equipo para drenar el aceite, drene el combustible del tanque de combustible.

NOTA: Cambie el aceite mientras el motor está frío.

1. Desconecte el cable de la bujía.
2. Localice y retire el tapón de drenaje de aceite del motor (vea la figura 13).
3. Drene el aceite usado.
4. Vuelva a colocar el tapón de drenaje y enderece la unidad.
5. Vuelva a llenar la unidad con aceite nuevo del tipo y la cantidad recomendada. Llene la unidad al nivel apropiado indicado en la varilla de medición.



Figure 13 - Ubicaciones de los drenajes de aceite

INSTRUCCIONES PARA EL CAMBIO DE ACEITE DE LA BOMBA

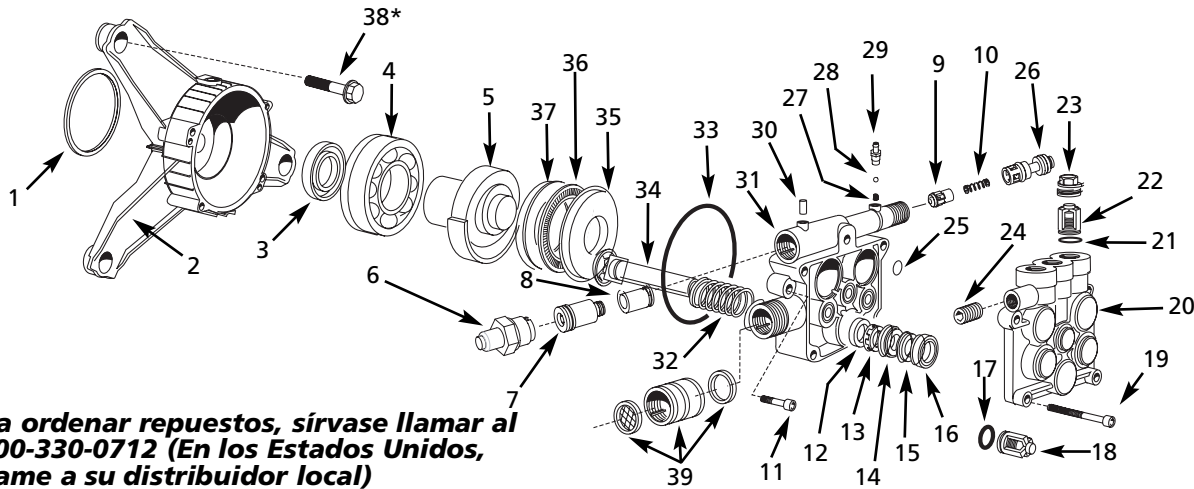
Para cambiar o llenar el aceite de la bomba es necesario quitar la bomba del motor, y esto no debería ser necesario a menos que exista una pérdida de aceite debido a juntas dañadas o desgastadas en la bomba. Si goteó aceite de la bomba, lleve la lavadora a presión a un centro de servicio certificado de Campbell Hausfeld para que sea reparada.

Plan de Mantenimiento

Plan de Mantenimiento	Acción Necesaria
Diariamente	<ul style="list-style-type: none"> • Revisar la pantalla y el filtro de entrada de agua. • Revisar los niveles de aceite del motor. Llenar según sea necesario. • Revisar el nivel de gasolina. Llenar según sea necesario.
Después de las primeras 5 horas de funcionamiento	<ul style="list-style-type: none"> • Cambiar el aceite de ablande del motor. Usar aceite detergente SAE30 o 10W-30.
Cada 25 horas de funcionamiento	<ul style="list-style-type: none"> • Cambiar el aceite si funciona con carga pesada o a una temperatura ambiente alta. • Limpie o reemplace el cartucho de papel del filtro de aire. Golpee suavemente para quitar la suciedad.
Cada 50 horas de funcionamiento	<ul style="list-style-type: none"> • Cambiar el aceite • Reemplazar la bujía
Cada 100 horas de funcionamiento o cada 3 meses	<ul style="list-style-type: none"> • Reemplace el cartucho de papel del filtro de aire. • Cambiar el aceite del motor

Información Técnica y Para el Consumidor

Lavadoras a Presión de Orientación Vertical	
Tipo de aceite para el motor	SAE 10W-30 SAE 30W (Por encima de 15° C)
Capacidad de aceite para el motor	
Motores Honda	0,55 L
Capacidad de combustible para el motor	
Motores Honda	1,10 L
Tipo de aceite para la bomba	
Bombas oscilantes	SAE20W o SAE30W aceite no detergente
Capacidad de aceite para la bomba	
Bombas oscilantes verticales	0,12 L
Succión de detergente de la bomba	
Proporción de agua a detergente	8 a 1 (12% detergente)
Requisitos del abastecimiento de agua	
Presión mínima de entrada	1,38 bar
Presión máxima de entrada	6,90 bar
Temperatura máxima de entrada	38° C
Velocidad mínima de flujo de entrada	19 Lpm
Tamaño de la manguera de entrada	15,9 mm (5/8") diámetro interior
Largo máximo de la manguera de entrada	15,24 m (50 pies)



Para ordenar repuestos, sírvase llamar al 1-800-330-0712 (En los Estados Unidos, o llame a su distribuidor local)

Puede escribirnos a:
Campbell Hausfeld
Attn: Customer Service
100 Mundy Memorial Drive
Mt. Juliet, TN 37122

Sírvase darnos la siguiente información:
- Número del Modelo
- Número de serie (de haberlo)
- Descripción y número del repuesto según la lista

No. de Ref.	Descripción	Número del repuesto	Ctd.
1	Anillo para el polvo	■	-
2	Cubierta de la bomba	■	-
3	Anillo para sellar el sistema de lubricación	■	-
4	Cojinete	■	-
5	Placa oscilante	■	-
6	Valvula de relieve térmico	PM005405SV	1
7	Ensamble del cuerpo de la válvula de descarga	●	-
8	Ensamble de la guía del cuerpo	●	-
9	Ensamble del cuerpo de la válvula de retención	●	-
10	Resorte de la válvula de retención	●	1
11	Tornillo	PM007500SV	2
12	Sello del sistema de lubricación	◆	-
13	Separador del anillo del sistema de lubricación	▼	-
14	Anillo para sellar el asiento	▼	-
15	Anillo anti-extrusión	▼	-
16	Anillo para sellar el agua	▲	-
17	Anillo en o	△□	-
18	Válvula de succión	△	-
19	Perno de la culata	PM025100SV	4
20	Culata, 12 mm	PM255240SV	1

No. de Ref.	Descripción	Número del repuesto	Ctd.
21	Anillo en o	★□	-
22	Ensamblaje de la válvula de salida	★	-
23	Tapa de la válvula	◇	-
24	Tapón	PM064301SV	1
25	◆ Anillo en o	PM041870SV	1
26	● Ensamble del inyector de productos químicos	PM341015SV	1
27	Resorte	○	-
28	Bola	○	-
29	Anillo en o y conector de mangueras	○	-
30	Tornillo	PM064302SV	1
31	Cuerpo del pistón	PM341020SV	1
32	Resorte del pistón	▽	-
33	Anillo en o, 85 x 2.5	□	-
34	Pistón	▽	-
35	Zapata de presión	☆	-
36	Cojinete de agujas	☆	-
37	Disco de cojinetes	☆	-
38*	Perno	MJ102302AV	3
39	Ensamble de pivote de bronce	PM041360SV	1

JUEGOS DE PIEZAS PARA EL SERVICIO	NÚMERO DE PIEZA	CTD.
■ Ensamblaje de la cubierta (Incluye 1 de c/u de las piezas #1-5)	PM255230SV	1
● Ensamblaje del descargador (Incluye 1 de c/u de las piezas #7-10 y 26)	PM344900SV	1
◆ Juego de anillos para sellar el sistema de lubricación (Incluye 3 piezas #12)	PM256500SV	1
▼ Juego de la guía del pistón (Incluye 3 de c/u de las piezas #13-15)	PM344905SV	1
▲ Juego de anillos para sellar el agua (Incluye 3 piezas #16)	PM344910SV	1
★ Juego de válvulas de entrada (Incluye 3 piezas #17 y 18)	PM064740SV	1
△ Juego de válvulas de salida (Incluye 3 piezas #21 y 22)	PM064304SV	1
◇ Juego de tapas de válvulas (Incluye 3 piezas #23)	PM064750SV	1
□ Juego de anillos para sellar el agua (Incluye 3 piezas #17 y 21 y 1 de c/u de las piezas #25 y 33)	PM058000SV	1
○ Juego de inyector de detergentes (Incluye 1 de c/u de las piezas #27-29)	PM064305SV	1
▽ Juego de pistones (Incluye 3 piezas #32 y 34)	PM344920SV	1
☆ Juego de cojinetes de aguja (Incluye 1 de c/u de las piezas #35-37)	PM041840SV	1

ESPECIFICACIONES DE TORQUES (kg-cm)		
Ref. No.	Descripción	Torque
6	Válvula de relieve térmico	126,8
11	Tornillo	110,7
19	Perno de la culata	110,7
23	Tapa de la válvula	276,7

Notas

* Se venden por separado
Capacidad de Aceite: 118 mL
Tipo de Aceite: SAE 30W (sin detergente)

Hidrolavadora de Eje Vertical

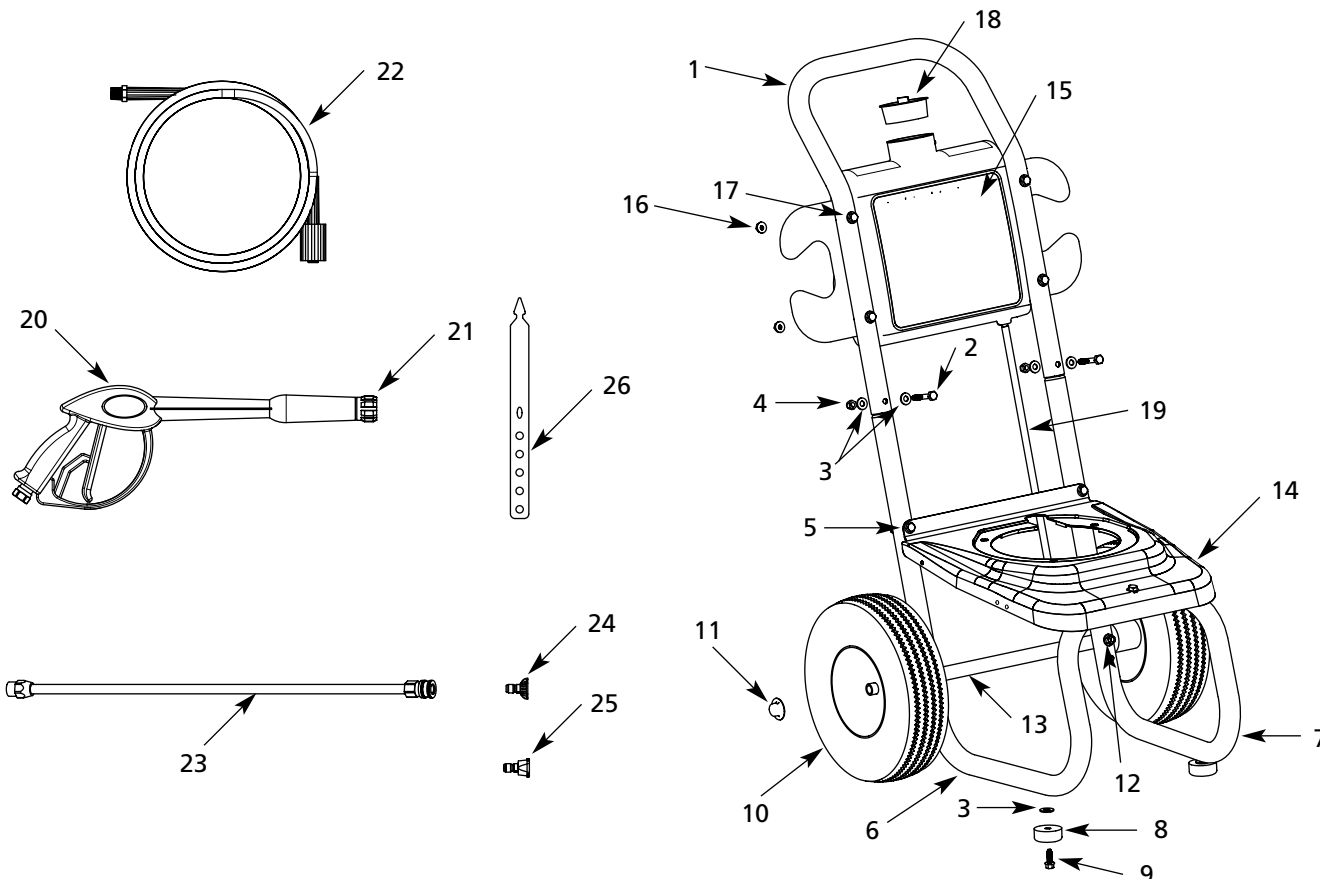
**Para ordenar repuestos, sírvase llamar al 1-800-330-0712
(En los Estados Unidos, o llame a su distribuidor local)**

Sírvase darnos la siguiente información:

- Número del modelo
- Número de serie (de haberlo)
- Descripción y número del repuesto según la lista de repuestos

Puede escribirnos a:

Campbell Hausfeld
Attn: Customer Service
100 Mundy Memorial Drive
Mt. Juliet, TN 37122



No. de Ref.	Descripción	Número del repuesto	Ctd.
1	Tubo del mango	PM344830BH	1
2 *	Perno de 6,4 mm (1/4") - 20 (mango)	PM001903AV	2
3 *	Arandela plana	PM002000AV	18
4 *	Tuerca de seguridad de nylon de 6,4 mm (1/4") - 20	ST073808AV	7
5 *	Perno de 6,4 mm (1/4") - 20 (base)	PM001902AV	3
6	Pata izquierda	PM344828BH	1
7	Pata derecha	PM345100BH	1
8	Defensa de caucho	AL062300AV	2
9 *	Tornillo autorrosc. 0,64 cm (1/4") - 20 x 19,1 mm (3/4")	MJ102100AV	2
10	Rueda	WA005600AV	2
11	Tuerca de presión	PM066300AV	2
12 *	Perno de 6,4 mm (1/4") - 20 (Eje)	PM001904AV	2
13	Eje	PM344831BH	1
14	Placa de base	PM345520AV	1
15	Ensamblaje del tanque de detergente	PM252000SJ	1

No. de Ref.	Descripción	Número del repuesto	Ctd.
16	Tuerca estriada de 6,4 mm (1/4") - 20 (Tanque)	PM031101AV	4
17	Perno de 6,4 mm (1/4") - 20 (Tanque)	MJ101104AV	4
18	Tapón	PM252450AV	1
19	Tubo del detergente	PM013700SV	1
20	Pistola	PM005136AV	1
21	Anillo en O (pistola)	PM245800SV	1
22	Manguera	PM344302AV	1
23	Lance	PM035120AV	1
24	Boquilla, 15° (amarilla)	PM039880AV	1
25	Boquilla, 65° (negra)	PM039820AV	1
26	Soporte, boquillas QC	PM344304AV	1

* Artículo disponible en ferreterías locales.

Accesorios para boquillas disponibles para PW2515: (no incluido con la unidad)

Boquilla, 0° (roja)	PM039870AV
Boquilla, 25° (verde)	PM039890AV
Boquilla, 40° (blanca)	PM039900AV

Lavadoras a Presión

Tabla de diagnóstico de averías - Sólo lavadoras a presión con motor a gasolina

Problema	Posible(s) causa(s)	Acción a tomar
El motor no enciende o le cuesta encender	<ol style="list-style-type: none"> No hay gasolina en el tanque de combustible o en el carburador Bajo nivel de aceite Interruptor de arranque/parada en la posición de parada Agua en la gasolina o combustible viejo Filtro del limpiador de aire está sucio Bujía sucia, espacio equivocado o tipo equivocado Pistola de rociado cerrada Otras causas 	<ol style="list-style-type: none"> Llene el tanque con gasolina, abra la válvula de cierre de combustible. Revise la línea de combustible y el carburador Revise el nivel de aceite. Llénelo si es necesario Mueva el interruptor a la posición de arranque Drene el tanque de combustible y el carburador. Use combustible nuevo y seque la bujía Quítelo y límpielo o reemplácelo Límpiela, ajuste el espacio o reemplácela Apriete el gatillo de la pistola de rociado Consulte el manual del propietario del motor
El motor pierde o le falta potencia	<ol style="list-style-type: none"> Filtro limpiador de aire tapado parcialmente Bujía sucia, espacio equivocado o tipo equivocado 	<ol style="list-style-type: none"> Quítelo y límpielo o reemplácelo Límpiela, ajuste el espacio o reemplácela
La presión baja y/o la bomba funciona toscamente	<ol style="list-style-type: none"> Punta desgastada o del tamaño equivocado Filtro de entrada o bomba obstruida Sellos de agua desgastados, abrasivos en el agua, o desgaste natural Válvulas de descarga o de entrada sucias Entrada restringida Válvulas de descarga o de entrada desgastadas Manguera de alta presión con pérdidas Bomba aspira aire Asiento de la válvula de descarga fallado o desgastado 	<ol style="list-style-type: none"> Reemplácela con una punta del tamaño adecuado Límpiela. Verifique con más frecuencia Revise el filtro. Cambie los sellos de agua. Consulte el centro de servicio Limpie los ensamblajes de las válvulas de entrada y descarga. Revise el filtro Revise la manguera de jardín, puede estar colapsada o plegada. Revise el flujo de entrada de agua Reemplace las válvulas desgastadas Reemplace la manguera de alta presión Asegúrese de que las mangueras y los accesorios estén ajustados Revíselo y reemplácelo
Pérdida de agua debajo del distribuidor	Sellos de agua desgastados	Instale nuevos sellos de agua. Consulte al centro de servicio
Agua en el cárter de la bomba (aceite lechoso)	<ol style="list-style-type: none"> Aire húmedo se condensa dentro del cárter Sellos de aceite con pérdidas 	<ol style="list-style-type: none"> Cambie el aceite como se especifica en el plan de mantenimiento Instale nuevos sellos de aceite. Consulte al centro de servicio
Fallas frecuentes o prematuras de los sellos de agua de la bomba	<ol style="list-style-type: none"> Émbolos rayados, dañados o desgastados Material abrasivo en el fluido Temperatura del agua de entrada demasiado alta La bomba presuriza demasiado Presión excesiva debido a una punta dañada o parcialmente obstruida La bomba funciona demasiado sin rociar La bomba funciona sin agua 	<ol style="list-style-type: none"> Instale émbolos nuevos. Consulte al centro de servicio Instale un filtrado adecuado en la tubería de entrada de la bomba Verifique la temperatura del agua; no puede exceder los 38° C. No modifique ningún valor de fábrica. Limpie o reemplace la punta. Nunca haga funcionar la bomba durante más de 2 minutos sin rociar No haga funcionar la bomba sin agua
Fuertes pulsaciones en la entrada y baja presión	Partículas extrañas en la válvula de entrada o de descarga o válvulas de entrada y/o de descarga desgastadas	Limpie o reemplace las válvulas. Consulte al centro de servicio
Pérdidas de aceite entre el motor y la bomba	Anillo O y/o sellos de aceite desgastados	Reemplace el anillo O y/o los sellos de aceite. Consulte el centro de servicio
Presión fluctuante	<ol style="list-style-type: none"> Válvula desgastada, sucia o trabada La bomba aspira aire Punta obstruida 	<ol style="list-style-type: none"> Revise y reemplace Asegúrese de que las mangueras y los accesorios están ajustados. Purgue el aire de la manguera de jardín Revise o reemplace
Disminuye la presión luego de un período de uso normal	<ol style="list-style-type: none"> Sellos de agua de la bomba desgastados Boquilla desgastada Válvula desgastada, sucia o atorada Asiento de la válvula de descarga desgastado o sucio 	<ol style="list-style-type: none"> Revise y reemplace Revise y reemplace Revise, limpie o reemplace Revise, limpie o reemplace
Bomba ruidosa / la bomba funciona toscamente	<ol style="list-style-type: none"> Bomba aspira aire/bajo suministro de agua Válvulas sucias o desgastadas Juntas desgastadas Agua demasiado caliente 	<ol style="list-style-type: none"> Asegúrese de que las juntas están ajustadas. Aumente la presión de agua Revise, limpie o reemplace Revise y reemplace Reduzca la temperatura por debajo de 38° C
No succiona detergente	<ol style="list-style-type: none"> La boquilla no se empujó hacia arriba lo suficiente Hay una obstrucción, pliegue o perforación en la manguera de succión de detergente La manguera es demasiado larga La lanza no está funcionando adecuadamente 	<ol style="list-style-type: none"> Empuje la boquilla hasta el tope. Si está limpia, elimine los pliegues o cambie la manguera. Utilice únicamente el largo de manguera que se proporcionó con la compra inicial de la lavadora a presión. La succión del detergente no funciona si se conecta más de una sección de manguera a la unidad. Quite la lanza de la pistola. Si se pasa detergente a través de la pistola, la lanza se debe reemplazar. Si no pasa detergente a través de la pistola, quite 1" del conector de detergente ahusado de la bomba. Limpie el conector, y asegúrese de que la bola y el resorte estén alineados adecuadamente con la porción ahusada del resorte que está frente a la bola. La bola debe estar encima del resorte.

Garantía Limitada

1. Duración: De la fecha de compra por el comprador original y de acuerdo a las siguientes clasificaciones: Dos Años.
 2. QUIÉN OTORGA DA ÉSTA GARANTÍA (EL GARANTE): Campbell Hausfeld / Scott Fetzer Company, Mount Juliet, TN, 37122, Teléfono: (800) 330-0712.
 3. QUIÉN RECIBE ÉSTA GARANTÍA (EL COMPRADOR): El comprador original (que no sea revendedor) de la Lavadora de Presión Campbell Hausfeld.
 4. PRODUCTOS CUBIERTOS POR ESTA GARANTÍA: Cualquier Lavadora de Presión Campbell Hausfeld fabricada o distribuida por el garante.
 5. LO QUÉ ESTÁ CUBIERTO POR ESTA GARANTÍA: Los defectos de material y/o de manufactura que ocurran dentro del período de garantía con las excepciones anotadas abajo.
 6. LO QUÉ NO ESTÁ CUBIERTO POR ESTA GARANTÍA:
 - A. Las garantías implícitas, incluyendo las garantías de comercialización y adecuación para un fin particular, son limitadas a partir de la fecha de compra como se indica en el párrafo DURACIÓN. Si ésta lavadora de presión es usada para trabajos comerciales, industriales o para renta, la garantía aplicada es de (90) días a partir de la fecha de compra. En algunos estados no se permiten limitaciones a la duración de las garantías, en tal caso esta limitación no es aplicable.
 - B. CUALQUIER PÉRDIDA, DAÑO INCIDENTAL INDIRECTO O CONSECUENTE QUE PUEDE RESULTAR DE UN DEFECTO, FALLA, O MALFUNCIONAMIENTO DE LA LAVADORA DE PRESIÓN CAMPBELL HAUSFELD. En algunos estados no se permiten la exclusión o limitación de daños incidentales o consecuentes y en tal caso esta limitación o exclusión no es aplicable.
 - C. Cualquier falla que resulte por daños en la transportación, accidente, abuso, negligencia o incumplimiento de las instrucciones de funcionamiento e instalación indicadas en el manual suministrado con el producto.
 - D. El servicio al producto antes de la venta. Ejemplo ensamblaje, aceites o lubricantes, ajustes, etc.
 - E. Partes o ajustes requeridos normalmente en el mantenimiento de la lavadora de presión.
 - F. El motor de gasolina y sus componentes están expresamente excluidos de ésta garantía limitada. Estos componentes deben de ser devueltos por el comprador al fabricante original o a su taller de reparación autorizado.
 - G. Partes adicionales no cubiertos en ésta garantía:
 1. Desgaste normal en partes tales como mangueras de alta presión, sellos de agua o aceite, anillos, válvulas y boquillas de spray.
 2. Escobillas del motor (modelos eléctricos solamente).
 3. Defectos externos que no interfieren con su funcionamiento.
 4. Componentes oxidados.
 5. Desgaste de la bomba o daño de la válvula causado por uso de aceite inapropiado, contaminación del aceite o por no seguir adecuadamente las recomendaciones de mantenimiento.
 7. RESPONSABILIDADES DEL GARANTE BAJO ÉSTA GARANTÍA: Repare o reemplazar, como lo decida el garante, ya sea la lavadora de presión o alguna de sus partes que se encuentre defectuoso, no funcione adecuadamente y/o no cumpla de conformidad dentro del período de duración de la garantía.
 8. RESPONSABILIDADES DEL COMPRADOR BAJO ESTA GARANTÍA:
 - A. Proporcionar prueba de la fecha de compra y registros de mantenimiento.
 - B. Entregar o enviar la lavadora de presión o su componente al centro de servicio autorizado Campbell Hausfeld más cercano. Los costos de embarque, si son aplicables, serán pagados por el comprador.
 - C. Ser cuidadoso con el funcionamiento y mantenimiento de la lavadora de presión de acuerdo al manual(s) del propietario.
 9. CUANDO EFECTUARÁ EL GARANTE LA REPARACIÓN O REEMPLAZO CUBIERTO POR ESTA GARANTÍA: La reparación o reemplazo del equipo tomara el tiempo normal y de acuerdo a la carga de trabajo en ese momento el el centro de servicio y de acuerdo a la disponibilidad de refacciones.
- Esta garantía limitada es válida sólo en los EE.UU., Canadá y México y otorga derechos legales específicos. También usted podría tener otros derechos los cuales varían de estado a estado o de país a país.

Free Manuals Download Website

<http://myh66.com>

<http://usermanuals.us>

<http://www.somanuals.com>

<http://www.4manuals.cc>

<http://www.manual-lib.com>

<http://www.404manual.com>

<http://www.luxmanual.com>

<http://aubethermostatmanual.com>

Golf course search by state

<http://golfingnear.com>

Email search by domain

<http://emailbydomain.com>

Auto manuals search

<http://auto.somanuals.com>

TV manuals search

<http://tv.somanuals.com>