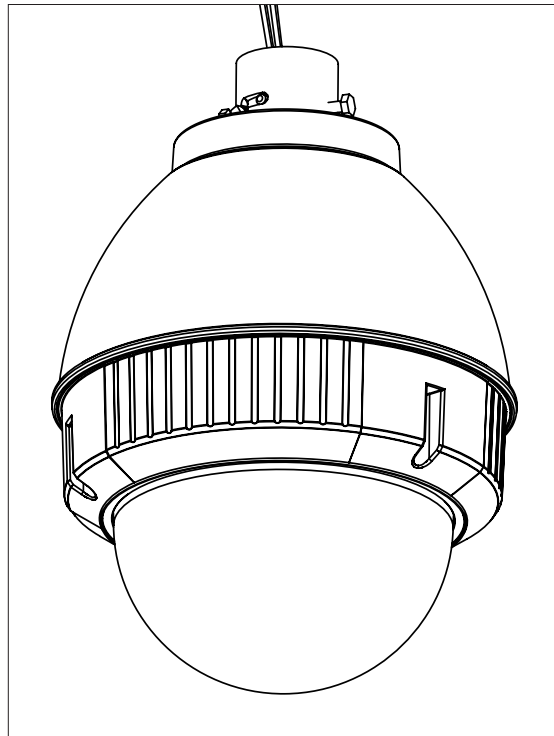


# Product Instructions

IP Ready™ Series

FDW75C12N & FDP75C12N



# Videolarm®

Before attempting to connect or operate this product,  
please read these instructions completely.

81-IN5329  
04/28/06

## IMPORTANT SAFEGUARDS

1. **Read Instructions** - All the safety and operating instructions should be read before the unit is operated.
2. **Retain Instructions** - The safety and operating instructions should be retained for future reference.
3. **Heed Warnings** - All warnings on the unit and in the operating instructions should be adhered to.
4. **Follow Instructions** - All operating & user instructions should be followed.
5. **Electrical Connections** - Only a qualified electrician should make electrical connections.
6. **Attachments** - Do not use attachments not recommended by the product manufacturer as they may cause hazards.
7. **Cable Runs** - All cable runs must be within permissible distance.
8. **Mounting** - This unit must be properly and securely mounted to a supporting structure capable of sustaining the weight of the unit. Accordingly:
  - a. Installation should be made by a qualified installer.
  - b. Installation should be in compliance with local codes.
  - c. Care should be exercised to select suitable hardware to install the unit, taking into account both the composition of the mounting surface and the weight of the unit. Be sure to periodically examine the unit and the supporting structure to make sure that the integrity of the installation is intact. Failure to comply with the foregoing could result in the unit separating from the support structure and falling, with resultant damages or injury to anyone or anything struck by the falling unit.

## UNPACKING

Unpack carefully. Electronic components can be damaged if improperly handled or dropped. If an item appears to have been damaged in shipment, replace it properly in its carton and notify the shipper. **Be sure to save:**

1. The shipping carton and packaging material. They are the safest material in which to make future shipments of the equipment.
2. These Installation and Operating Instructions.

## LIMITED WARRANTY FOR VIDEOLARM INC. PRODUCTS

**VIDEOLARM INC.** warrants this Product to be free from defects in material or workmanship, as follows:

PRODUCT CATEGORY	PARTS	LABOR
All Enclosures and Electronics	Three (3) Years	Three (3) Years
Pan/Tilts	Three (3) Years **6 months if used in autoscan	Three (3) Years **6 months if used in autoscan
Poles/PoleEvators	Three (3) Years	Three (3) Years
Warrior/Q-View/I.R. Illuminators	Five (5) Years	Five (5) Years
Controllers	Three (3) Years	Three (3) Years
Power Supplies	Three (3) Years	Three (3) Years
Accessory Brackets	Three (3) Years	Three (3) Years

During the labor warranty period, to repair the Product, Purchaser will either return the defective product, freight prepaid, or deliver it to Videolarm Inc. Decatur GA. The Product to be repaired is to be returned in either its original carton or a similar package affording an equal degree of protection with a RMA # (Return Materials Authorization number) displayed on the outer box or packing slip. To obtain a RMA# you must contact our Technical Support Team at 800.554.1124, extension 101. Videolarm will return the repaired Product freight prepaid to Purchaser. Videolarm is not obligated to provide Purchaser with a substitute unit during the warranty period or at any time. After the applicable warranty period, Purchaser must pay all labor and/or parts charges.

**The limited warranty stated in these product instructions is subject to all of the following terms and conditions:**

**1. NOTIFICATION OF CLAIMS: WARRANTY SERVICE:** If Purchaser believes that the Product is defective in material or workmanship, then written notice with an explanation of the claim shall be given promptly by Purchaser to Videolarm but all claims for warranty service must be made within the warranty period.

If after investigation Videolarm determines that the reported problem was not covered by the warranty, Purchaser shall pay Videolarm for the cost of investigating the problem at its then prevailing per incident billable rate. No repair or replacement of any Product or part thereof shall extend the warranty period as to the entire Product. The specific warranty on the repaired part only shall be in effect for a period of ninety (90) days following the repair or replacement of that part or the remaining period of the Product parts warranty, whichever is greater.

**2. EXCLUSIVE REMEDY: ACCEPTANCE:** Purchaser's exclusive remedy and Videolarm's sole obligation is to supply (or pay for) all labor necessary to repair any Product found to be defective within the warranty period and to supply, at no extra charge, new or rebuilt replacements for defective parts.

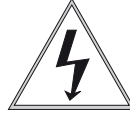
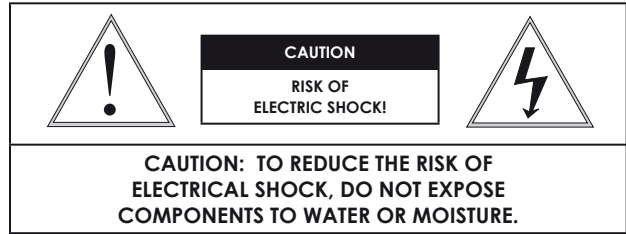
**3. EXCEPTIONS TO LIMITED WARRANTY:** Videolarm shall have no liability or obligation to Purchaser with respect to any Product requiring service during the warranty period which is subjected to any of the following: abuse, improper use: negligence, accident, lightning damage or other acts of God (i.e., hurricanes, earthquakes), modification, failure of the end-user to follow the directions outlined in the product instructions, failure of the end-user to follow the maintenance procedures recommended by the International Security Industry Organization, written in product instructions, or recommended in the service manual for the Product. Furthermore, Videolarm shall have no liability where a schedule is specified for regular replacement or maintenance or cleaning of certain parts (based on usage) and the end-user has failed to follow such schedule; attempted repair by non-qualified personnel; operation of the Product outside of the published environmental and electrical parameters, or if such Product's original identification (trademark, serial number) markings have been defaced, altered, or removed. Videolarm excludes from warranty coverage Products sold AS IS and/or WITH ALL FAULTS and excludes used Products which have not been sold by Videolarm to the Purchaser. All software and accompanying documentation furnished with, or as part of the Product is furnished "AS IS" (i.e., without any warranty of any kind), except where expressly provided otherwise in any documentation or license agreement furnished with the Product.

**4. PROOF OF PURCHASE:** The Purchaser's dated bill of sale must be retained as evidence of the date of purchase and to establish warranty eligibility.

**DISCLAIMER OF WARRANTY** EXCEPT FOR THE FOREGOING WARRANTIES, VIDEOLARM HEREBY DISCLAIMS AND EXCLUDES ALL OTHER WARRANTIES, EXPRESS OR IMPLIED, INCLUDING, BUT NOT LIMITED TO ANY AND/OR ALL IMPLIED WARRANTIES OF MERCHANTABILITY, FITNESS FOR A PARTICULAR PURPOSE AND/OR ANY WARRANTY WITH REGARD TO ANY CLAIM OF INFRINGEMENT THAT MAY BE PROVIDED IN SECTION 2-312(3) OF THE UNIFORM COMMERCIAL CODE AND/OR IN ANY OTHER COMPARABLE STATE STATUTE. VIDEOLARM HEREBY DISCLAIMS ANY REPRESENTATIONS OR WARRANTY THAT THE PRODUCT IS COMPATIBLE WITH ANY COMBINATION OF NON-VIDEOLARM PRODUCTS OR NON-VIDEOLARM RECOMMENDED PRODUCTS PURCHASER CHOOSES TO CONNECT TO PRODUCT.

**LIMITATION OF LIABILITY** THE LIABILITY OF VIDEOLARM, IF ANY, AND PURCHASER'S SOLE AND EXCLUSIVE REMEDY FOR DAMAGES FOR ANY CLAIM OF ANY KIND WHATSOEVER, REGARDLESS OF THE LEGAL THEORY AND WHETHER ARISING IN TORT OR CONTRACT, SHALL NOT BE GREATER THAN THE ACTUAL PURCHASE PRICE OF THE PRODUCT WITH RESPECT TO WHICH SUCH CLAIM IS MADE. IN NO EVENT SHALL VIDEOLARM BE LIABLE TO PURCHASER FOR ANY SPECIAL, INDIRECT, INCIDENTAL, OR CONSEQUENTIAL DAMAGES OF ANY KIND INCLUDING, BUT NOT LIMITED TO, COMPENSATION, REIMBURSEMENT OR DAMAGES ON ACCOUNT OF THE LOSS OF PRESENT OR PROSPECTIVE PROFITS OR FOR ANY OTHER REASON WHATSOEVER.

## SAFETY PRECAUTIONS



The lightning flash with an arrowhead symbol, within an equilateral triangle, is intended to alert the user to the presence of non-insulated "dangerous voltage" within the product's enclosure that may be of sufficient magnitude to constitute a risk of electric shock to persons.



The exclamation point within an equilateral triangle is intended to alert the user to presence of important operating and maintenance (servicing) instructions in the literature accompanying the appliance.

## SERVICE

If the unit ever needs repair service, customer should contact Videolarm (1-800-554-1124) for return authorization & shipping instructions.

## TECHNICAL SUPPORT

Videolarm has set-up a 24 hour technical support line for their customers.

**24 HOUR TECHNICAL SUPPORT**

**1-800-554-1124**

## FDW75C12N, FDP75C12N IP Ready Network Housing

IP Ready Network Housing with 12Vdc input, wall mount or pendant mounting, heater & blowers, ready for standard IP PTZ cameras.

### ELECTRICAL SPECIFICATIONS (OUTDOOR ONLY):



Power 12Vdc, Class 2 Only

Total Power: 21 watts *Housing only*

Accessories (Heater/Blower): 21 watts

Heater: 20 watts

Blower: 1 watt



**NOTE:** This unit is designed for operation in an upright position. Installing the housing upside down may cause damage to the internal equipment, and will void the warranty.

### GENERAL INSTRUCTIONS:

Tools Required: .100" Flat Head Screwdriver  
Phillips Head Screwdriver



Be sure the bracket is properly and securely mounted to a supporting structure capable of rigidly holding the weight of the entire unit.

### CARE AND CLEANING OF DOMES:

All FDW75 and FDP75 units include an optically clear polycarbonate dome. The dome is an optical device and should be handled with extreme care. Leave protective film on dome until product is fully assembled and installed. Even though the dome is virtually unbreakable, it **can** be easily scratched.

*Clean only with a clean cotton cloth and warm water.*

**DO NOT use a strong solvent or cleanser!**

### ASSEMBLING THE UNIT:

Remove content from all boxes. Contents should include:



#### Main Housing Assembly

Either with wall mount or pendant bracket



#### Dome Assembly - Clear or Tinted

Do **not** remove the protective film until the product is assembled and installed.



#### 3 Packet Assemblies

## INSTALLATION OF PTZ CAMERA

See model for specific instruction.

Listed on the following pages are the specific instructions for each of the individual network cameras. See specific instruction for the model that matches the unit you have.

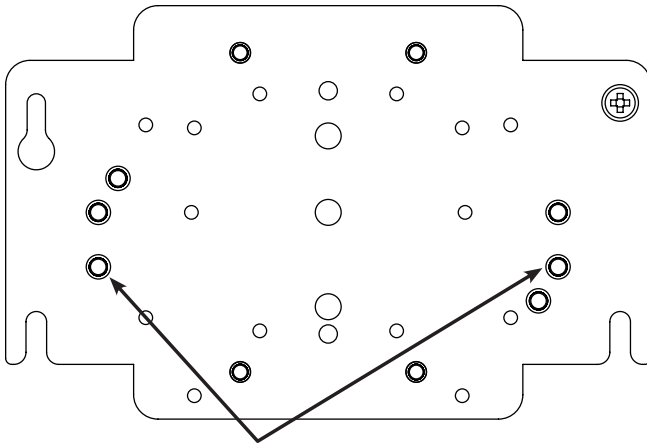
## INDEX OF CAMERAS

<b>AXIS</b> 213	5
<b>AXIS</b> 214	6
<b>CANON</b> VB-C10R	7
<b>CANON</b> VB-C50iR	8
<b>CANON</b> VC-C4R / VC-C50iR	9
<b>ELMO</b> PTC-200C	10
<b>ELMO</b> PTC-201	11
<b>ELMO</b> PTC-400C	12
<b>ELMO</b> PTC-401	13
<b>JVC</b> VN-C30U	14
<b>PANASONIC</b> BB-HCM381 / KX-HMC280	15
<b>PIXORD</b> 261 / 262	16
<b>SONY</b> SNCZR30	17
<b>SONY</b> SNCZR50	18
<b>TOSHIBA</b> IK-WB21A	19

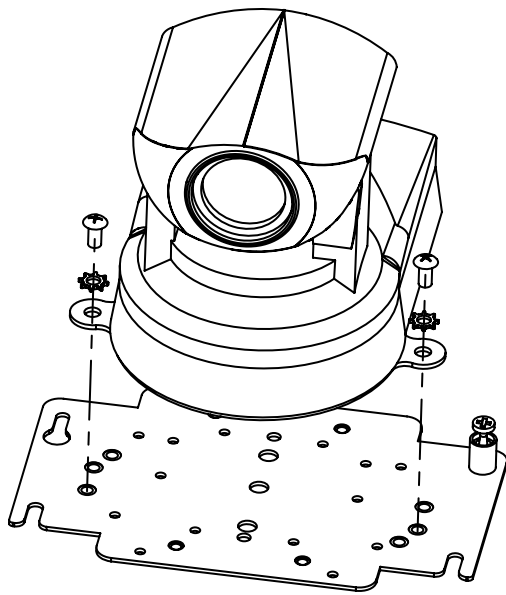
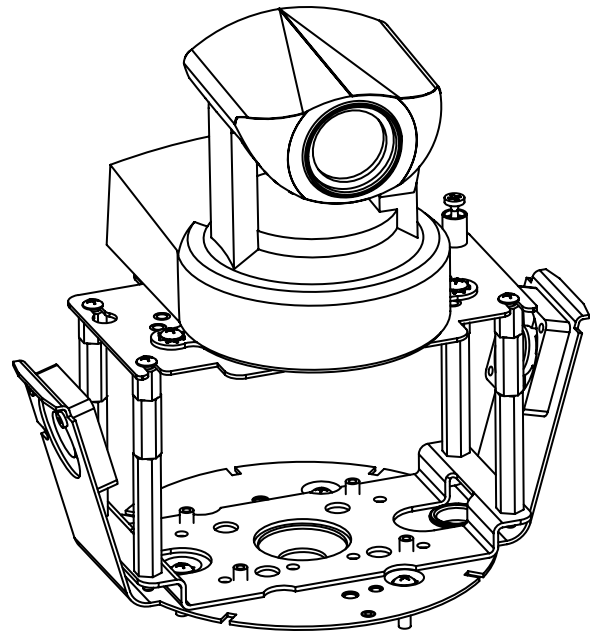
## INSTALLING QUICK RELEASE BRACKETS

AXIS 213

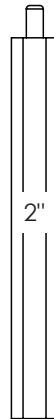
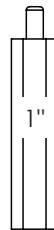
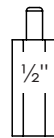
2539 Mounting Plate:



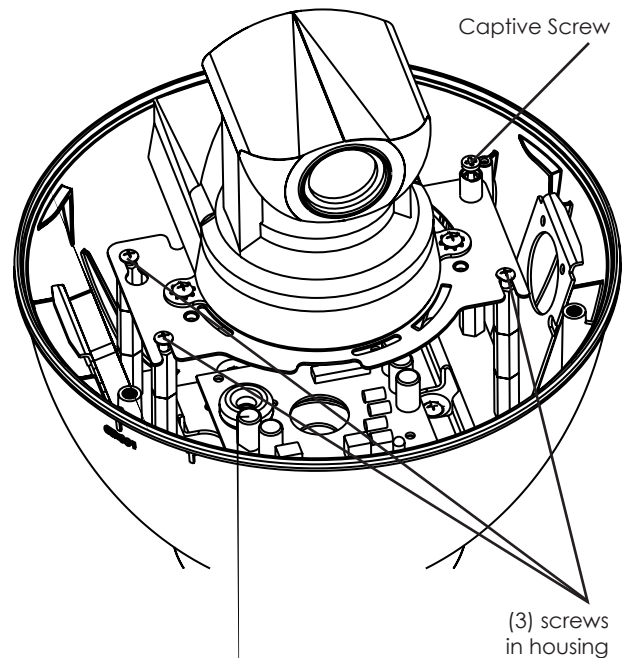
Attach camera using these (2) holes



1. Install the camera to the 2539 mounting plate using (2) 10-32 screws and lockwashers provided.
2. The Axis 213 camera requires 3.5" of spacing for optimal position within the housing. Use (4) 2" spacer(s), plus (4) 1" spacer(s) and (4) 1/2" spacer(s) provided in the (2) hardware packets.



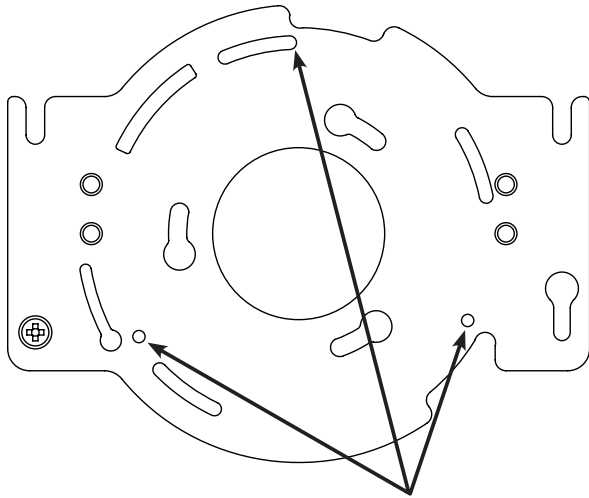
3. Place (3) 8 x 32 x 3/8 Phillips head screws on the top of the spacer as shown above. Be sure to place the screws so that they line up with the open slots on the mounting plate.
4. Slide the mounting plate with camera into position on top of spacers. Secure 3 screws and captive fastener.



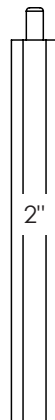
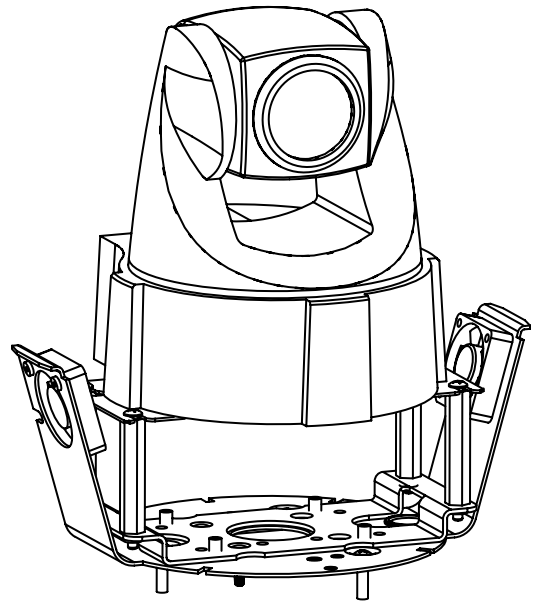
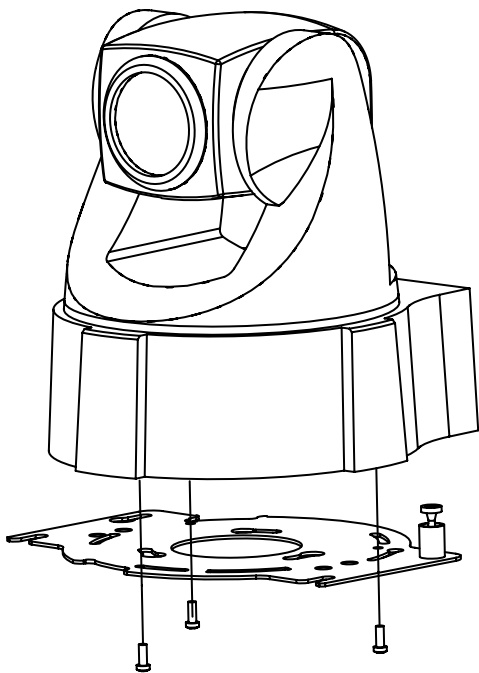
## INSTALLING QUICK RELEASE BRACKETS

AXIS 214

2685 Mounting Plate:



**Attach camera using these (3) holes**



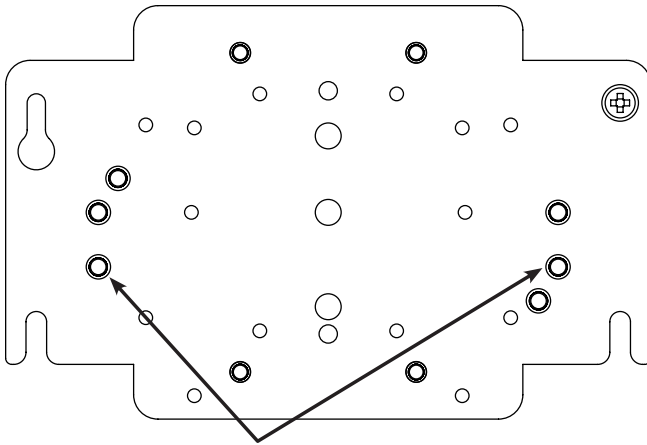
3. Place (3) 8 x 32 x  $\frac{3}{8}$  Phillips head screws on the top of the spacer as shown above. Be sure to place the screws so that they line up with the open slots on the mounting plate.
4. Slide the mounting plate with camera into position on top of spacers. Secure 3 screws and captive fastener.

1. Install the AXIS 214 camera to the 2685 mounting plate using the (3) 3mm x 12mm bolt and lock washers provided.
2. The AXIS 214 camera requires 2" of spacing for optimal position within the housing. Use the 4 (2") spacers provided in the packet.

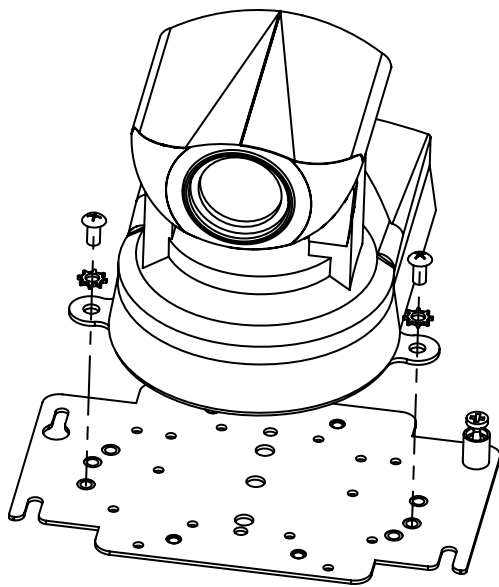
## INSTALLING QUICK RELEASE BRACKETS

CANON VB-C10R

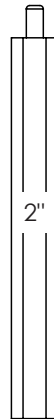
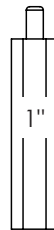
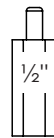
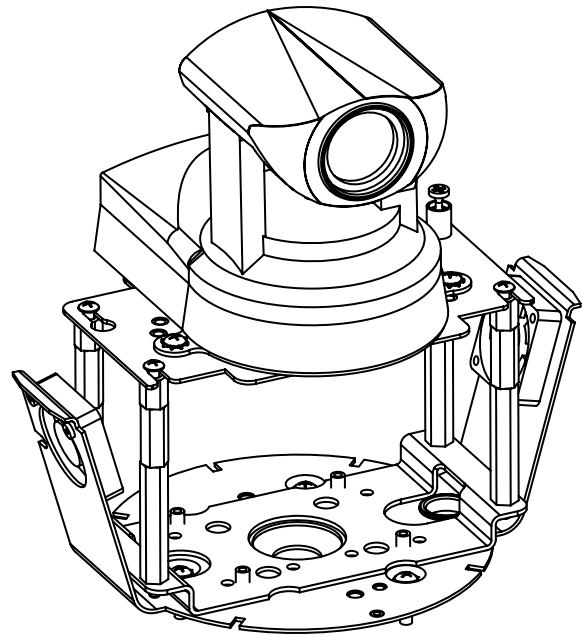
2539 Mounting Plate:



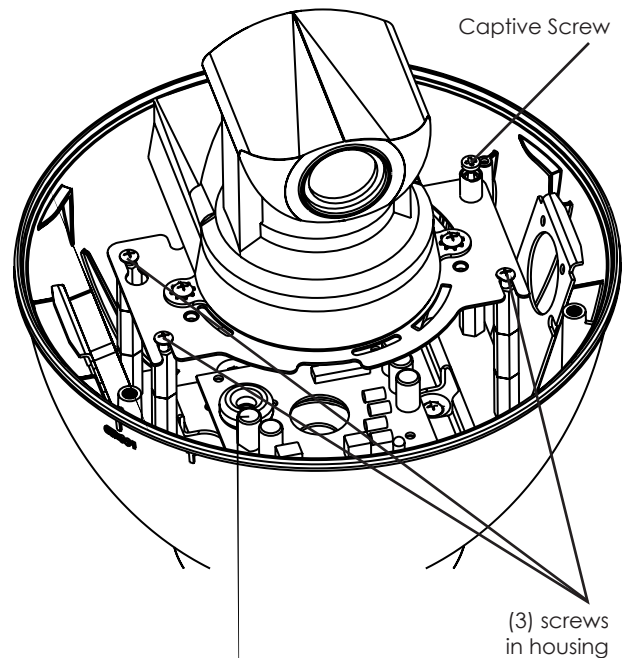
Attach camera using these (2) holes



1. Install the camera to the 2539 mounting plate using (2) 10-32 screws and lockwashers provided.
2. The Canon VB-C10R camera requires 4" of spacing for optimal position within the housing. Use (4) 2" spacer(s), plus (4) 1" spacer(s) and (4) 1/2" spacer(s) provided in the (2) hardware packets.



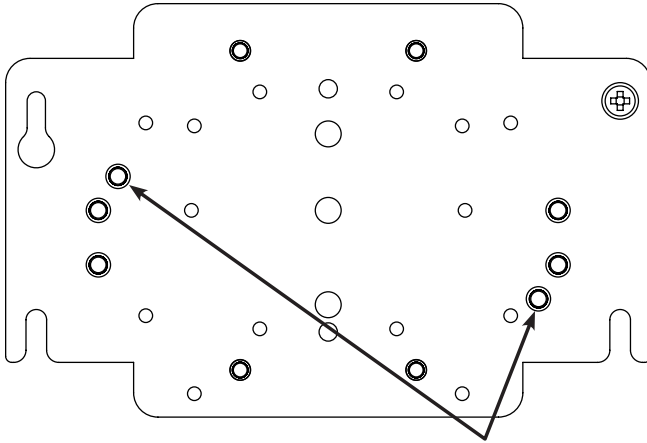
3. Place (3) 8 x 32 x 3/8 Phillips head screws on the top of the spacer as shown above. Be sure to place the screws so that they line up with the open slots on the mounting plate.
4. Slide the mounting plate with camera into position on top of spacers. Secure 3 screws and captive fastener.



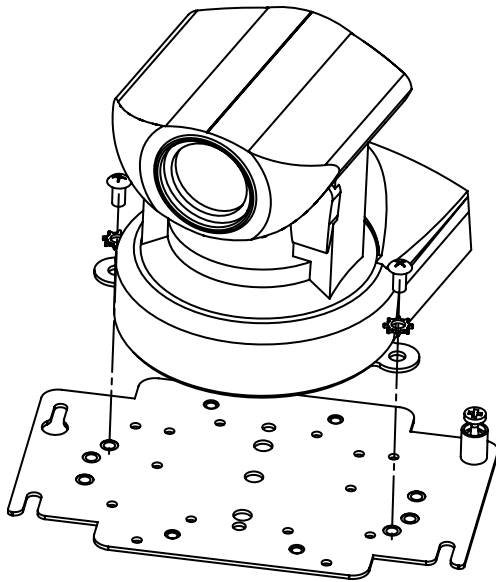
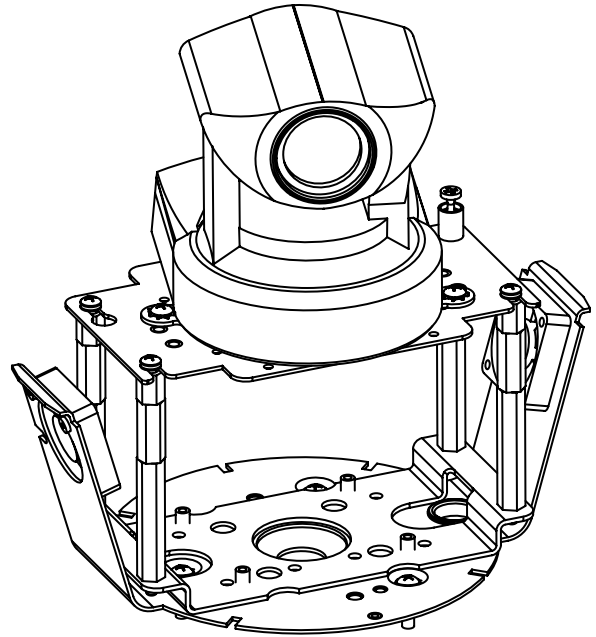
## INSTALLING QUICK RELEASE BRACKETS

CANON VB-C50iR

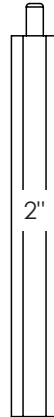
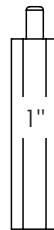
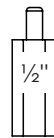
2539 Mounting Plate:



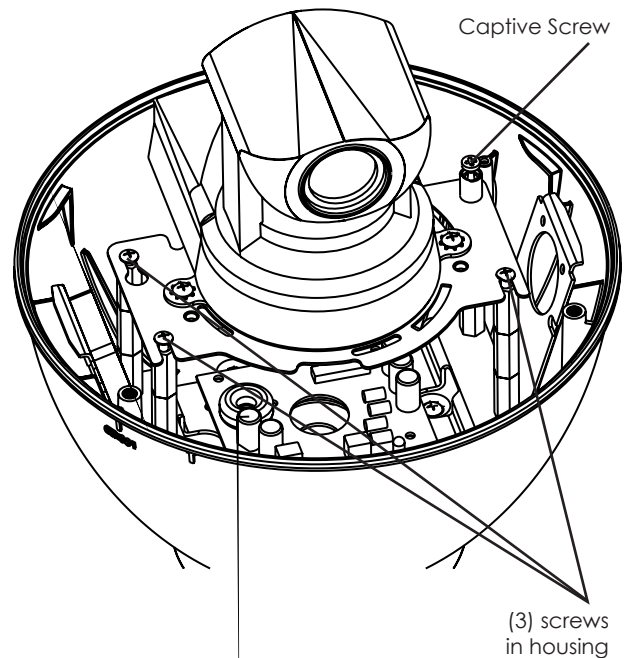
Attach camera using these (2) holes



1. Install the camera to the 2539 mounting plate using (2) 10-32 screws and lockwashers provided.
2. The Canon VB-C50iR camera requires 3.5" of spacing for optimal position within the housing. Use (4) 2" spacer(s), plus (4) 1" spacer(s) and (4) 1/2" spacer(s) provided in the (2) hardware packets.



3. Place (3) 8 x 32 x 3/8 Phillips head screws on the top of the spacer as shown above. Be sure to place the screws so that they line up with the open slots on the mounting plate.
4. Slide the mounting plate with camera into position on top of spacers. Secure 3 screws and captive fastener.

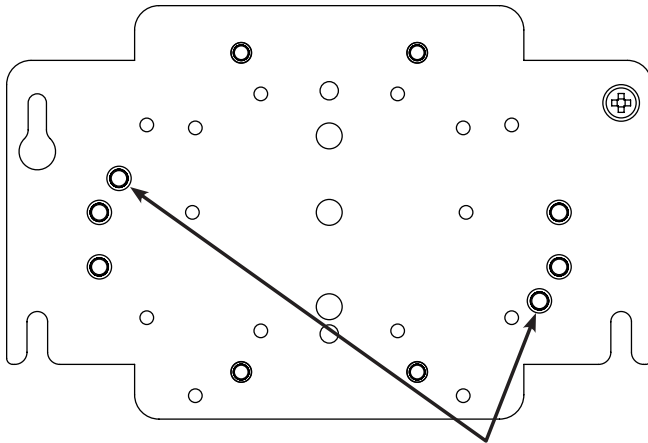




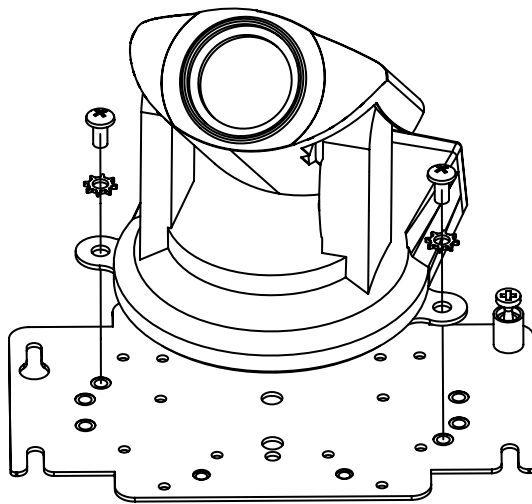
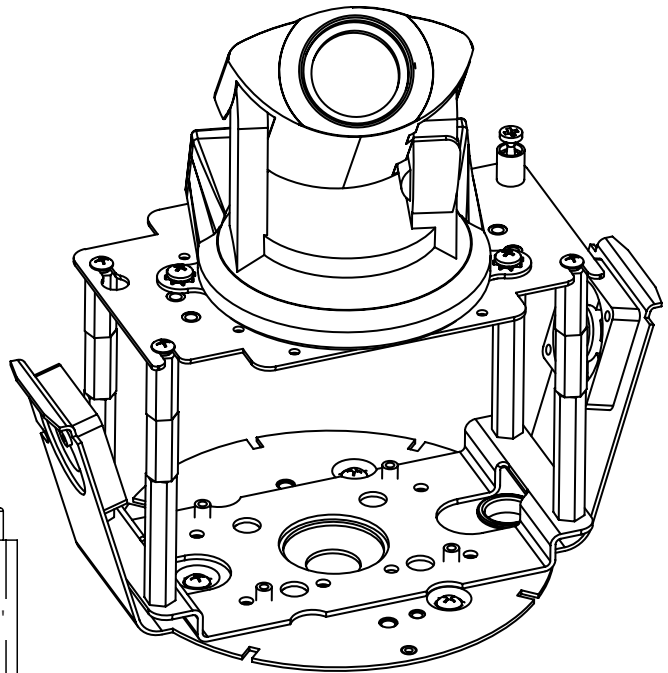
## INSTALLING QUICK RELEASE BRACKETS

CANON VC-C4R / VC-C50iR

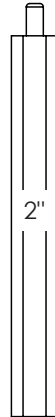
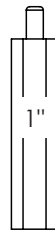
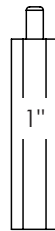
2539 Mounting Plate:



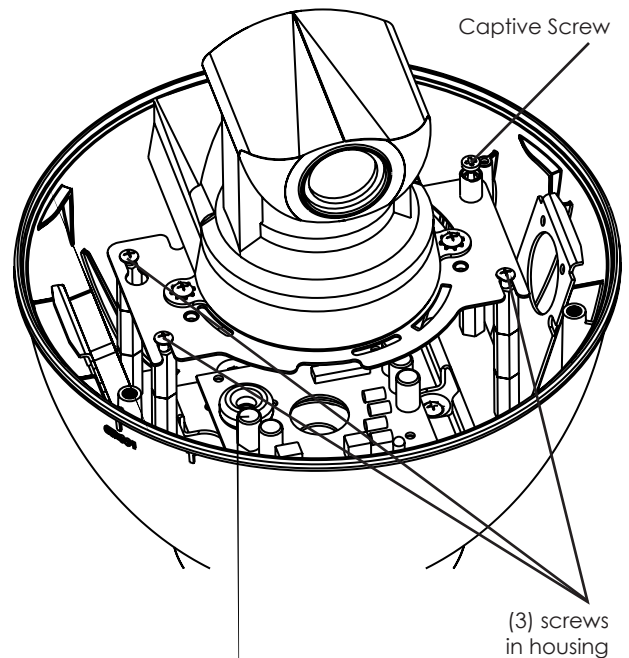
Attach camera using these (2) holes



1. Install the camera to the 2539 mounting plate using (2) 10-32 screws and lockwashers provided.
2. The Canon VC-C4R / VC-C50iR camera requires 4" of spacing for optimal position within the housing. Use (4) 2" spacer(s), plus (8) 1" spacer(s) provided in the (2) hardware packets.



3. Place (3) 8 x 32 x  $\frac{3}{8}$  Phillips head screws on the top of the spacer as shown above. Be sure to place the screws so that they line up with the open slots on the mounting plate.
4. Slide the mounting plate with camera into position on top of spacers. Secure 3 screws and captive fastener.

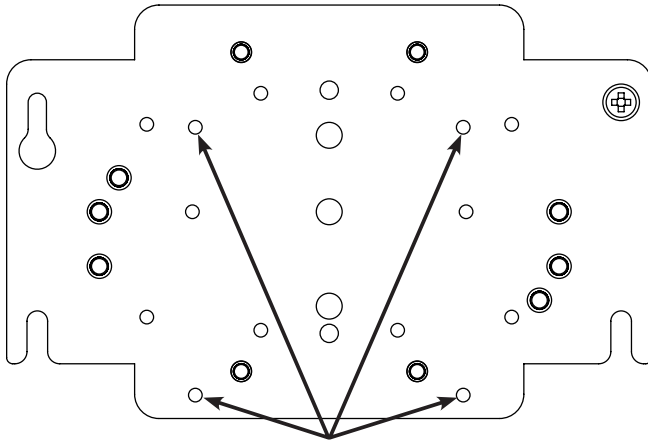


## INSTALLING QUICK RELEASE BRACKETS

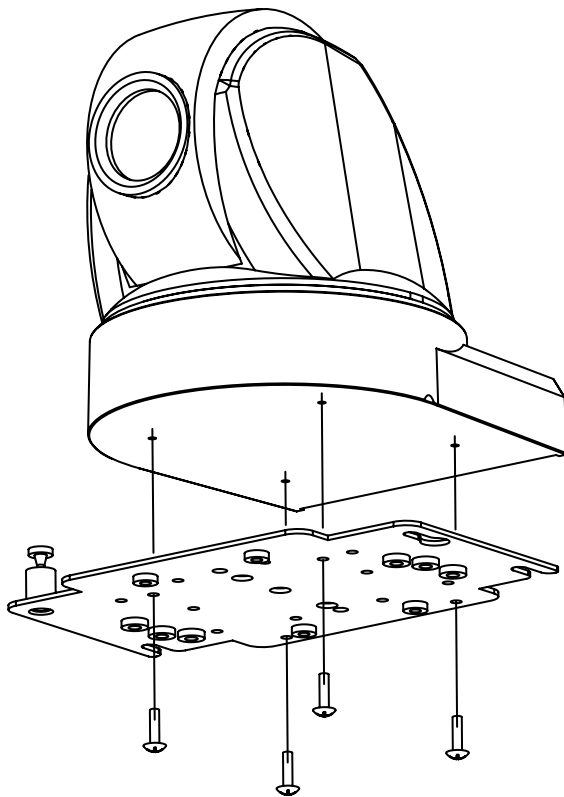
ELMO PTC-200C

Mounting plate for this unit is included in the housing packet. Remove existing mounting plate installed in the unit before proceeding.

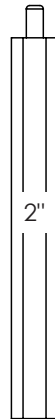
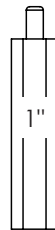
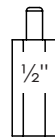
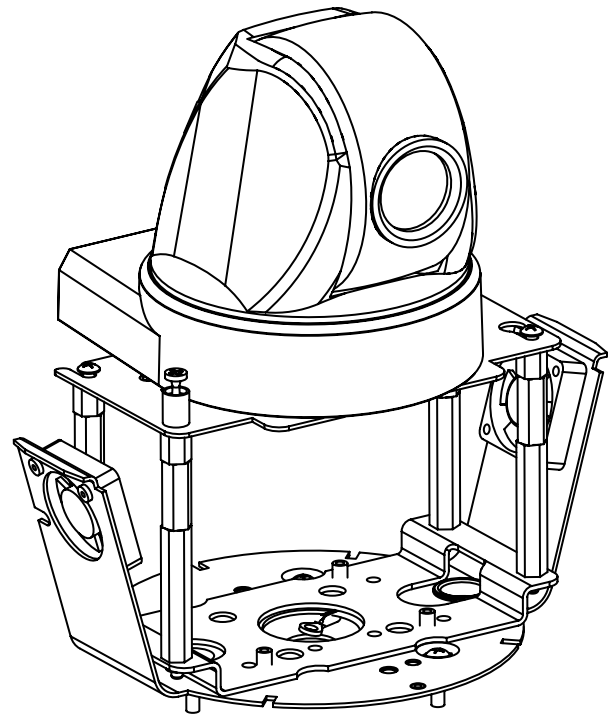
2539 Mounting Plate:



Attach camera using these (4) holes



1. Place the camera onto the quick release bracket using the (4) metric 3M Phillips head screws provided with the kit.



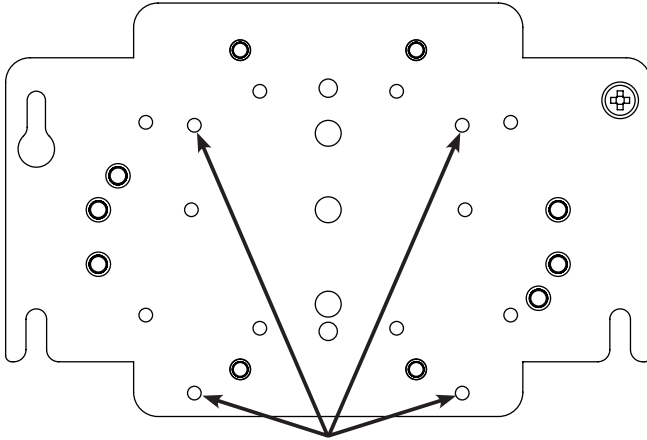
2. The Elmo PTC-200C camera requires 3.5" of spacing for optimal position within the housing. Use (4) 2" spacer(s), plus (4) 1" spacer(s) and (4) 1/2" spacer(s) provided in the (2) hardware packets.

## INSTALLING QUICK RELEASE BRACKETS

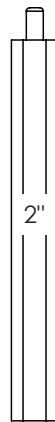
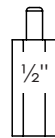
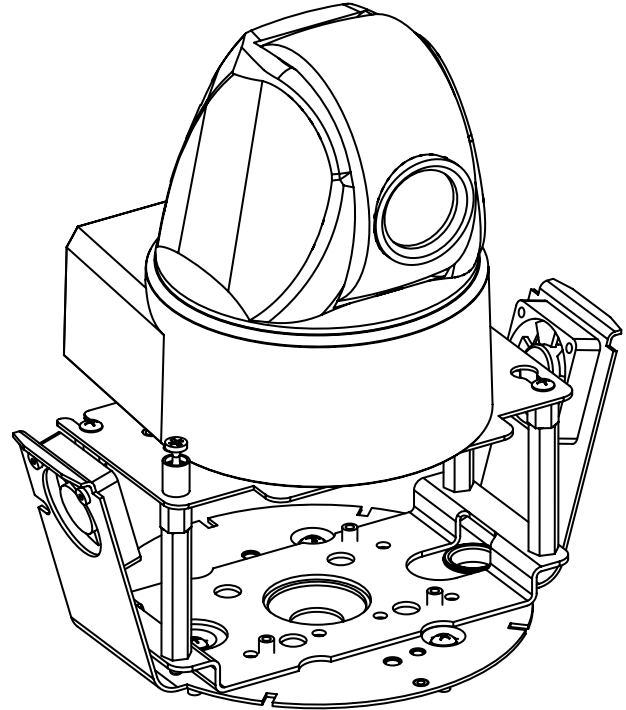
ELMO PTC-201

Mounting plate for this unit is included in the housing packet. Remove existing mounting plate installed in the unit before proceeding.

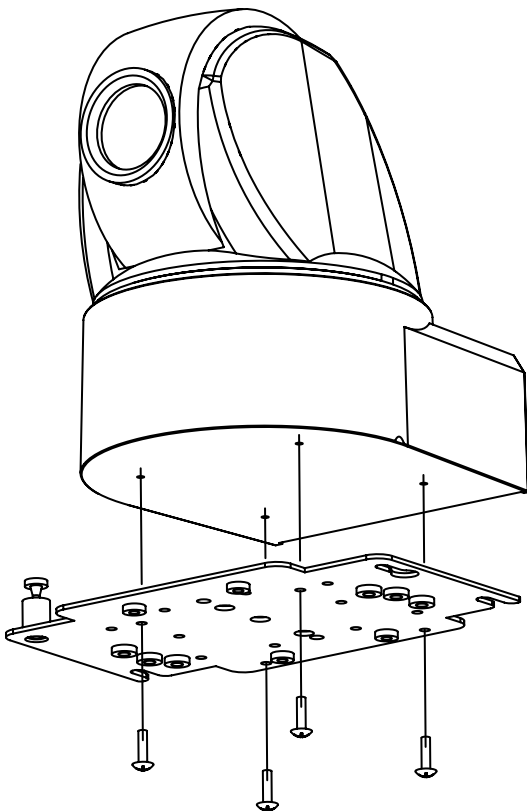
2539 Mounting Plate:



Attach camera using these (4) holes



2. The Elmo PTC-201 camera requires 2½" of spacing for optimal position within the housing. Use (4) 2" spacer(s) plus (4) ½" spacer(s) provided in the (2) hardware packets.
3. Place (3) 8 x 32 x 3/8 Phillips head screws on the top of the spacer as shown above. Be sure to place the screws so that they line up with the open slots on the mounting plate.
4. Slide the mounting plate with camera into position on top of spacers. Secure 3 screws and captive fastener.



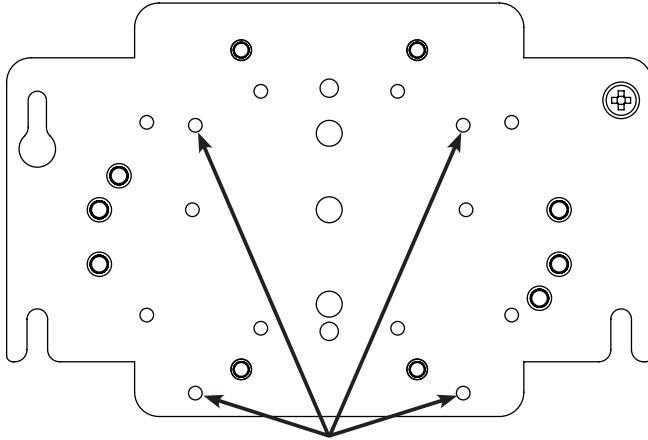
1. Place the camera onto the quick release bracket using the (4) metric 3M Phillips head screws provided with the kit.

## INSTALLING QUICK RELEASE BRACKETS

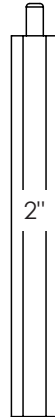
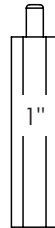
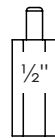
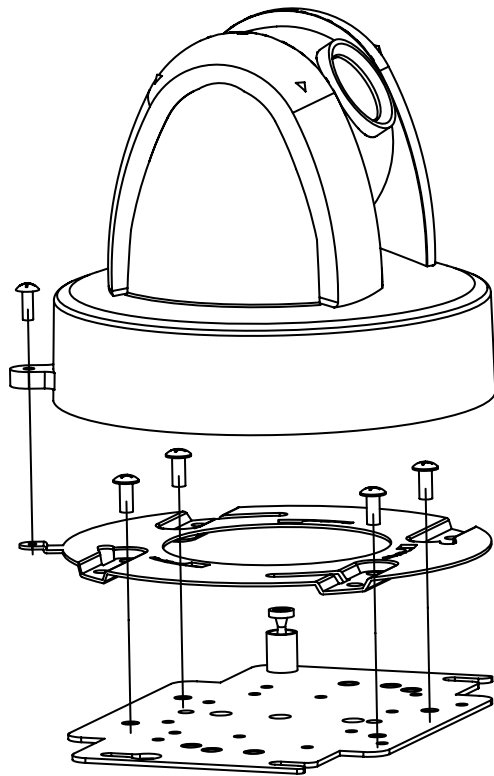
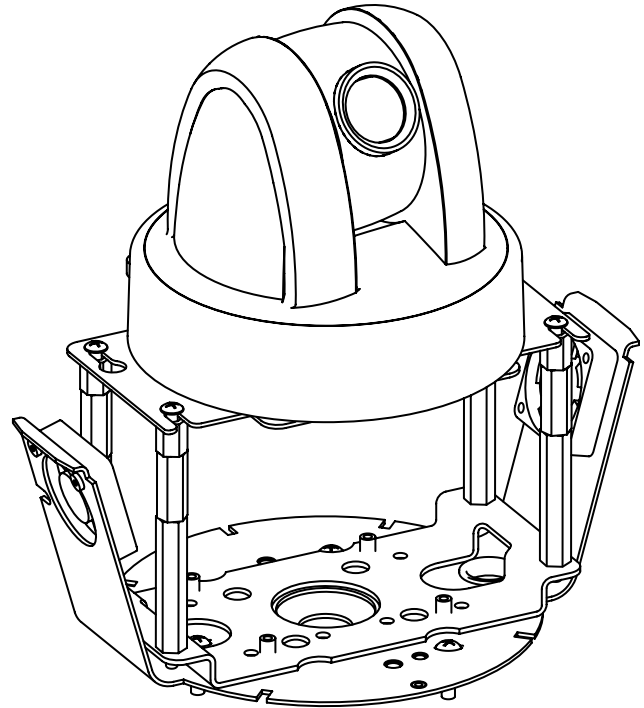
ELMO PTC-400C

Mounting plate for this unit is included in the housing packet. Remove existing mounting plate installed in the unit before proceeding.

2539 Mounting Plate:



Attach camera using these (4) holes



2. The Elmo PTC-400C camera requires 3.5" of spacing for optimal position within the housing. Use (4) 2" spacer(s), plus (4) 1" spacer(s) and (4) 1/2" spacer(s) provided in the (2) hardware packets.
3. Place (3) 8 x 32 x 3/8 Phillips head screws on the top of the spacer as shown above. Be sure to place the screws so that they line up with the open slots on the mounting plate.
4. Slide the mounting plate with camera into position on top of spacers. Secure 3 screws and captive fastener.

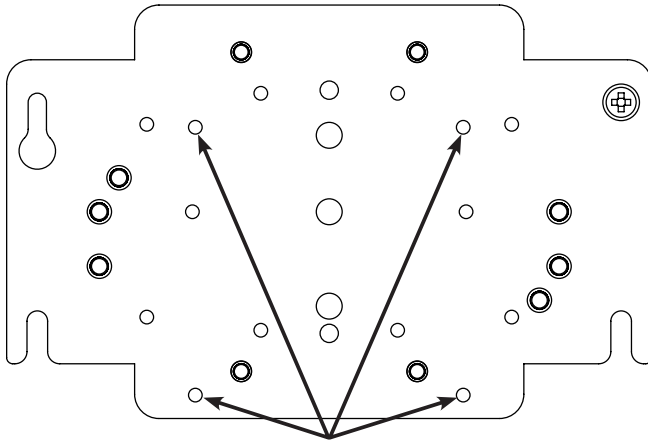
1. Place the camera onto the quick release bracket using the (4) metric 3M Phillips head screws provided with the kit.

## INSTALLING QUICK RELEASE BRACKETS

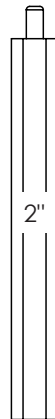
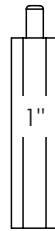
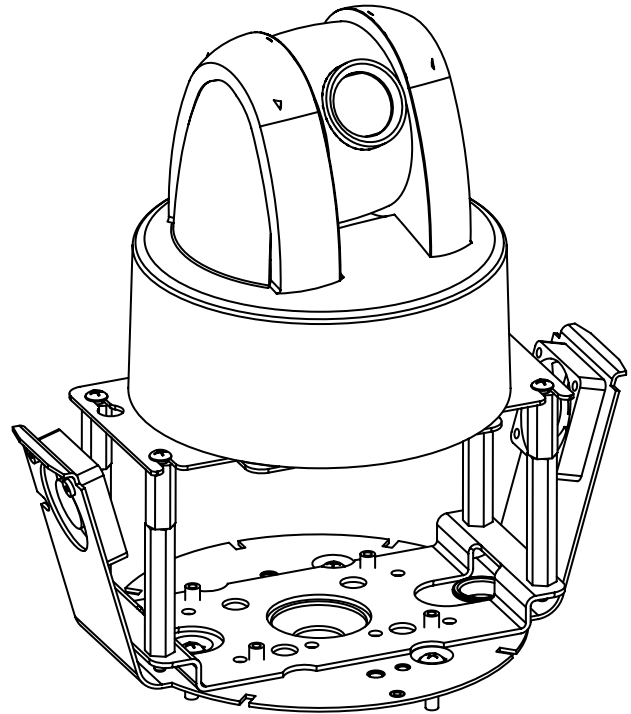
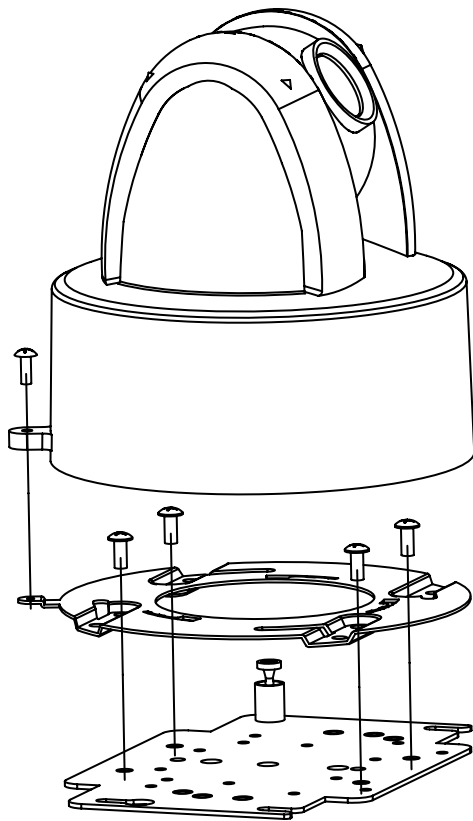
ELMO PTC-401

Mounting plate for this unit is included in the housing packet. Remove existing mounting plate installed in the unit before proceeding.

2539 Mounting Plate:



Attach camera using these (4) holes



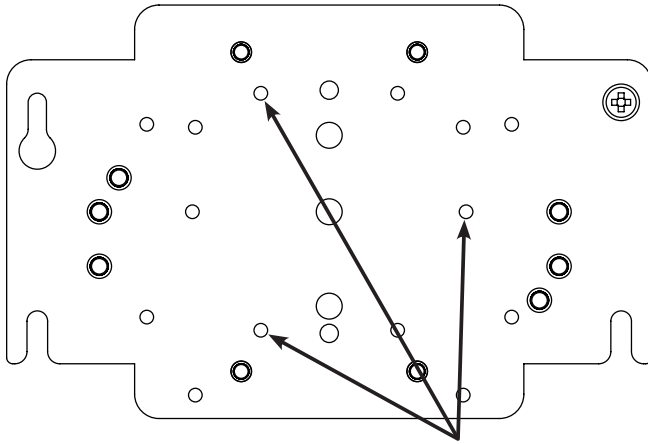
2. In the packet, there will be a number of 2 inch and 1 inch spacers. Take four of the 1 inch spacers and screw them onto the spacers that are on the base bracket (to make a 3 inch spacer). Place two 8/32 X 3/8 Phillips head screws on the three inch spacer in the dome. Be sure to place the screws so they line up with the two open screw slots on the quick release bracket. Place the Elmo PTC-401C pan/tilt and quick release bracket in the housing, sliding the two open screw slots over the screws in the housing. Slide the bracket forward, and then tighten the captive screw on the bracket.

1. Remove the mounting plate from the camera and place it onto the quick release bracket using the (4) metric 3M Phillips head screws provided with the kit. Then place the ELMO mounting plate back onto the Elmo PTC-401C.

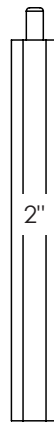
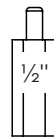
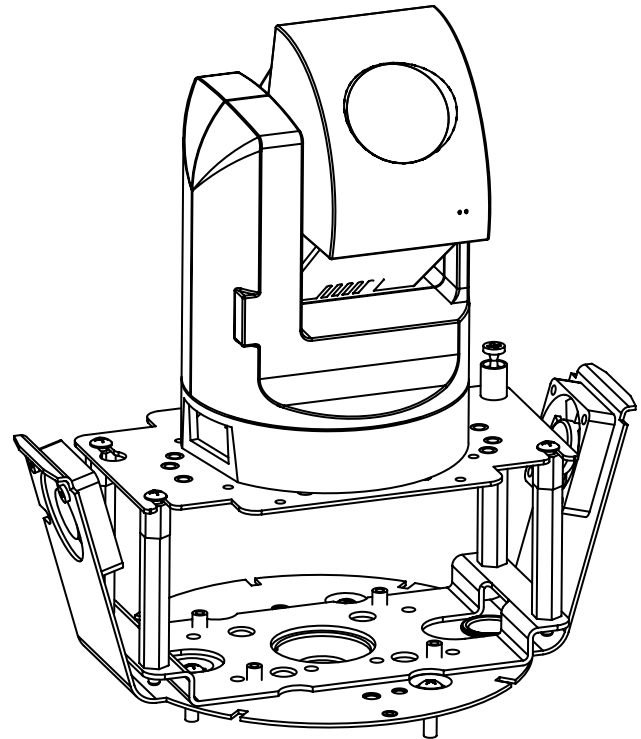
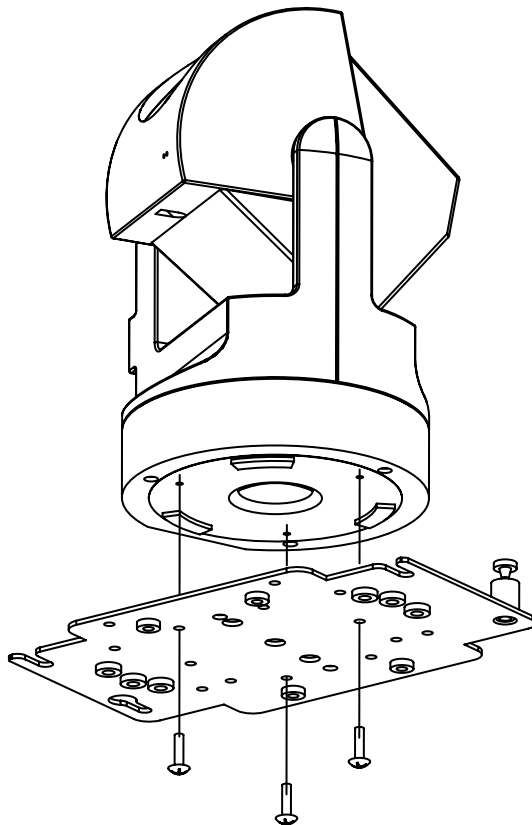
## INSTALLING QUICK RELEASE BRACKETS

JVC VN-C30U

2539 Mounting Plate:



Attach camera using these (3) holes



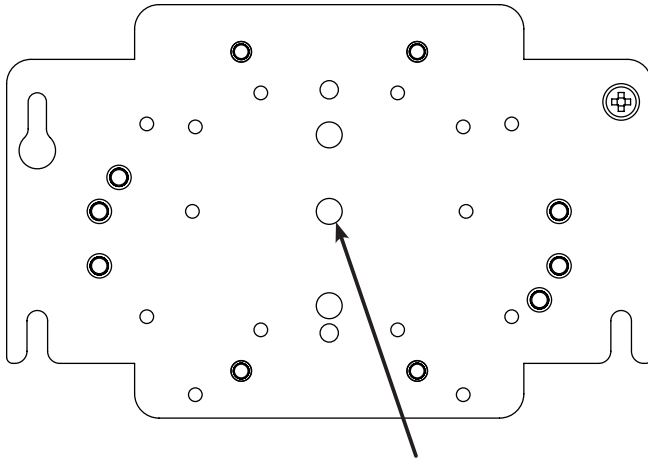
2. In the packet, there will be a number of 2 inch and 1/2 inch spacers. Take four of the 1/2 inch spacers and screw them onto the spacers that are on the base bracket (to make a 2 1/2 inch spacer). Place two 8/32 X 3/8 Phillips head screws on the two and a half inch spacer in the dome. Be sure to place the screws so they line up with the two open screw slots on the quick release bracket. Place the JVC VN-C30U pan/tilt and quick release bracket in the housing, sliding the two open screw slots over the screws in the housing. Slide the bracket forward, and then tighten the captive screw on the bracket.

1. Remove the mounting plate from the camera and place it onto the quick release bracket using the (3) metric 3M Phillips head screws provided with the kit. Then place the mounting plate back onto the JVC VN-C30U.

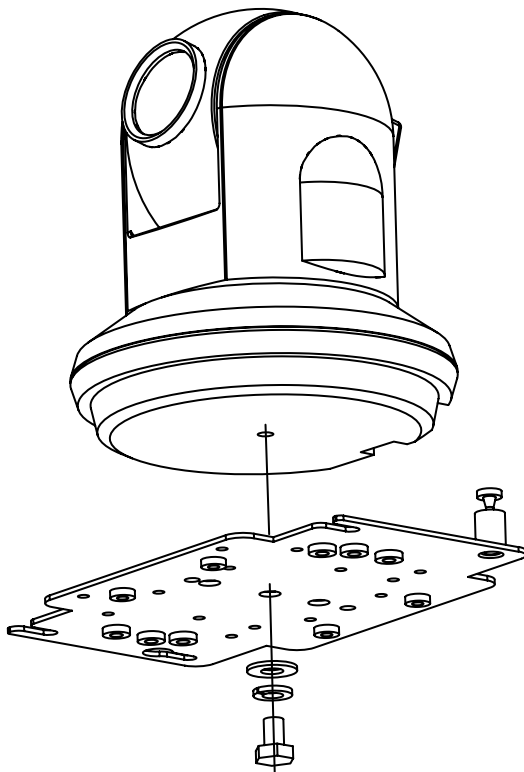
## INSTALLING QUICK RELEASE BRACKETS

PANASONIC BB-HCM381 / KX-HMC280

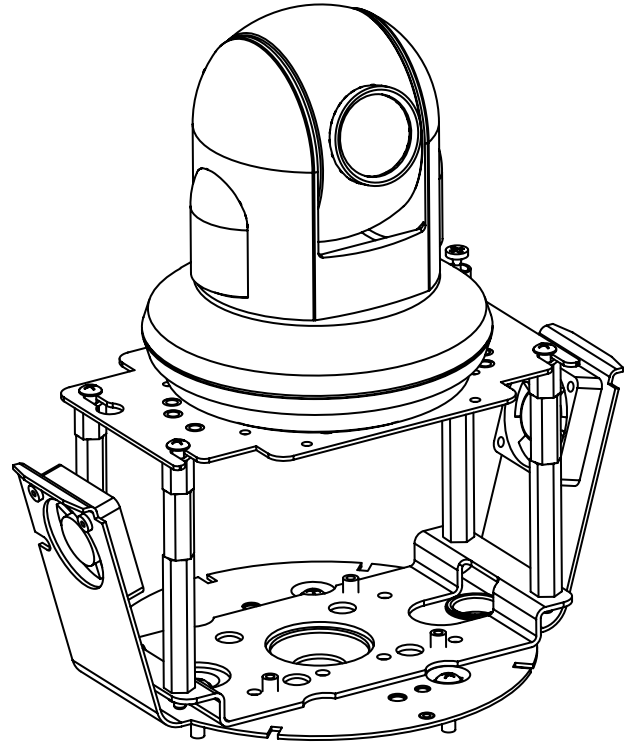
2539 Mounting Plate:



Attach camera using this hole



1. Install the camera to the 2539 mounting plate using the  $\frac{1}{4}$  x 20, washer and lockwasher provided.
2. The Panasonic BB-HCM381 / KX-HMC280 requires  $3\frac{1}{2}$ " of spacing to properly position the camera within the housing.

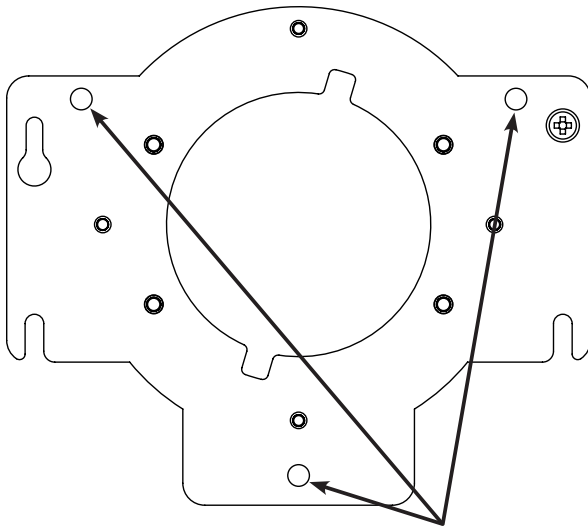


3. Place (3) 8 x 32 x  $\frac{3}{8}$  Phillips head screws on the top of the spacer as shown above. Be sure to place the screws so that they line up with the open slots on the mounting plate.
4. Slide the mounting plate with camera into position on top of spacers. Secure 3 screws and captive fastener.

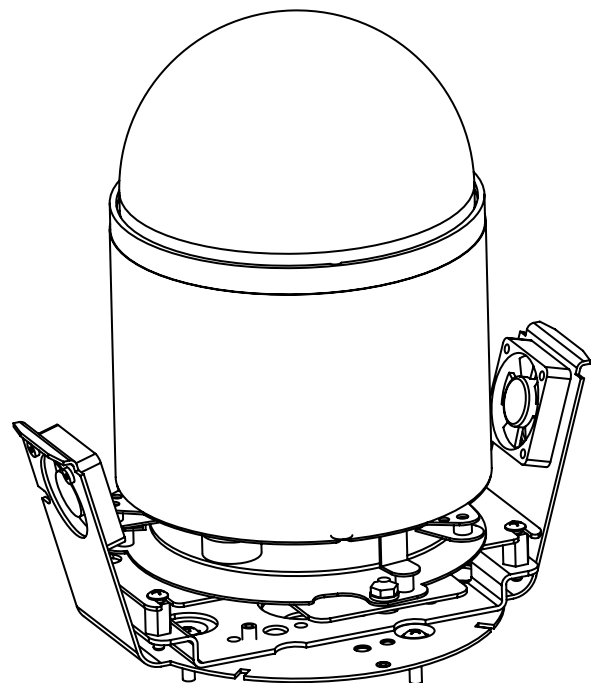
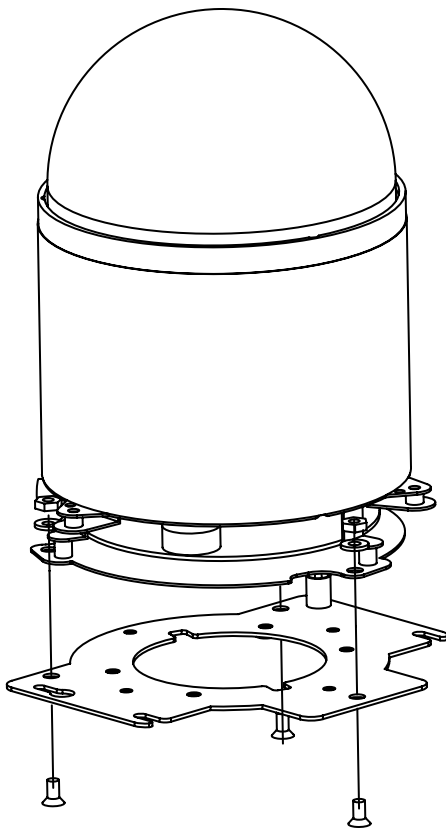
## INSTALLING QUICK RELEASE BRACKETS

PIXORD 261 / 262

2630 Mounting Plate:



Attach camera using these (3) holes



1. Install the camera to the 2630 mounting plate using the (3) 8 x 32 x .5 flat head screws, nuts and washers provided.
2. The PIXORD 261/262 cameras require 1/2" of spacing to properly position the camera within the housing. Use (4) 1/2" spacers provided in the hardware packets.

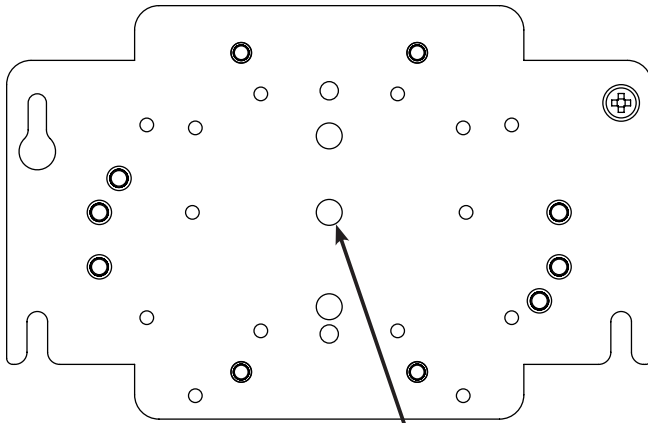
3. Place (3) 8 x 32 x 3/8 Phillips head screws on the top of the spacer as shown above. Be sure to place the screws so that they line up with the open slots on the mounting plate.
4. Slide the mounting plate with camera into position on top of spacers. Secure 3 screws and captive fastener.



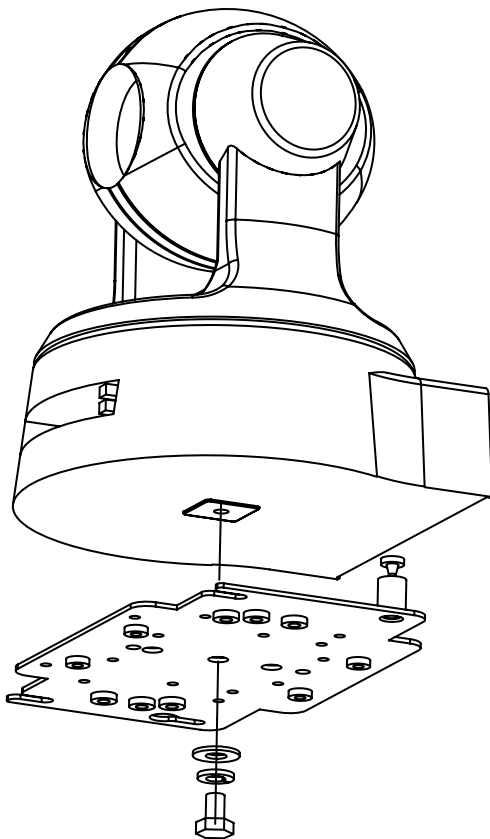
## INSTALLING QUICK RELEASE BRACKETS

SONY SNCRZ30

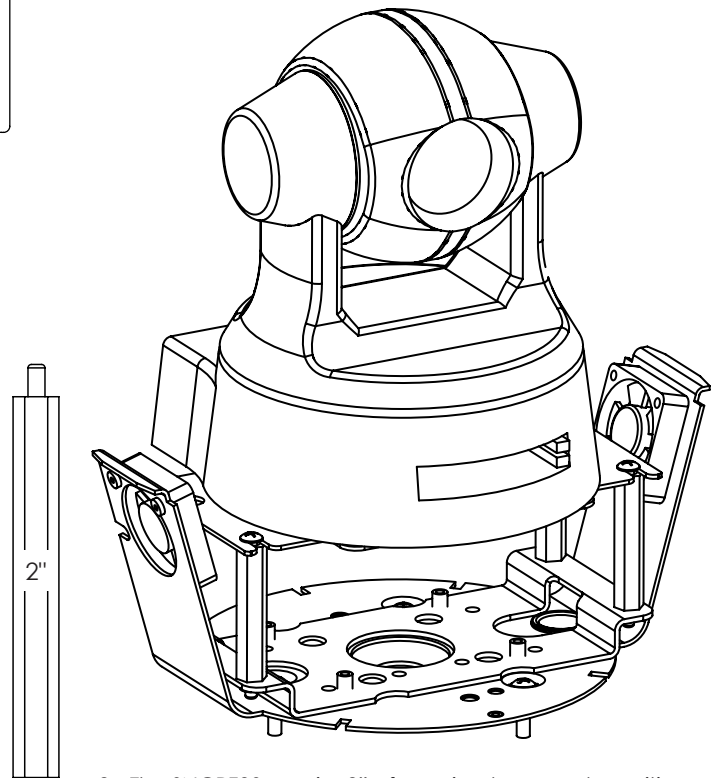
2539 Mounting Plate:



Attach camera using this hole



1. Attach the camera to the 2539 mounting plate using the (1)  $\frac{1}{4}$  x 20 bolt, washer and lockwasher provided.

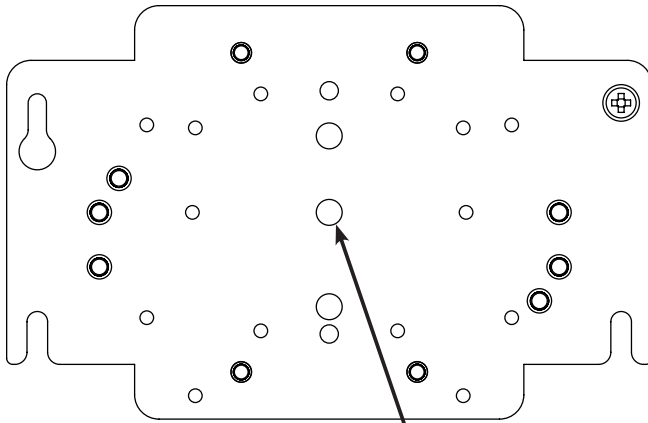


2. The SNCRZ30 require 2" of spacing to properly position the camera within the housing. Use (4) 2" spacers provided in the hardware packets.
3. Place (3) 8 x 32 x  $\frac{3}{8}$  Phillips head screws on the top of the spacer as shown above. Be sure to place the screws so that they line up with the open slots on the mounting plate.
4. Slide the mounting plate with camera into position on top of spacers. Secure 3 screws and captive fastener.

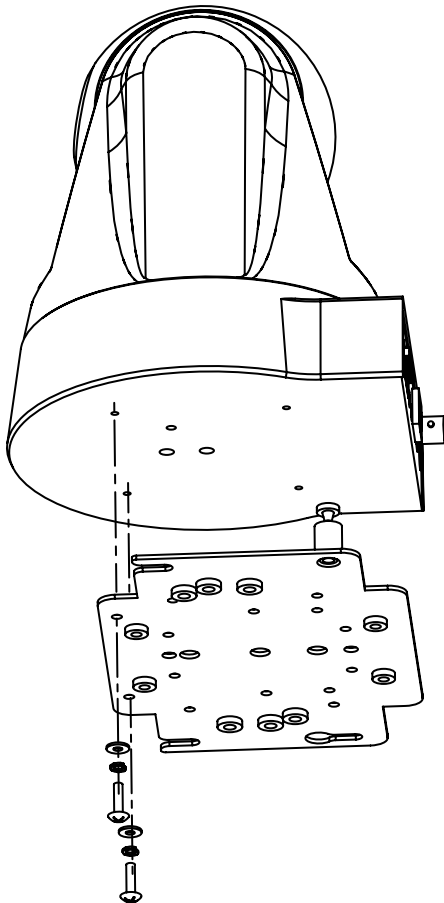
## INSTALLING QUICK RELEASE BRACKETS

SONY SNCRZ50

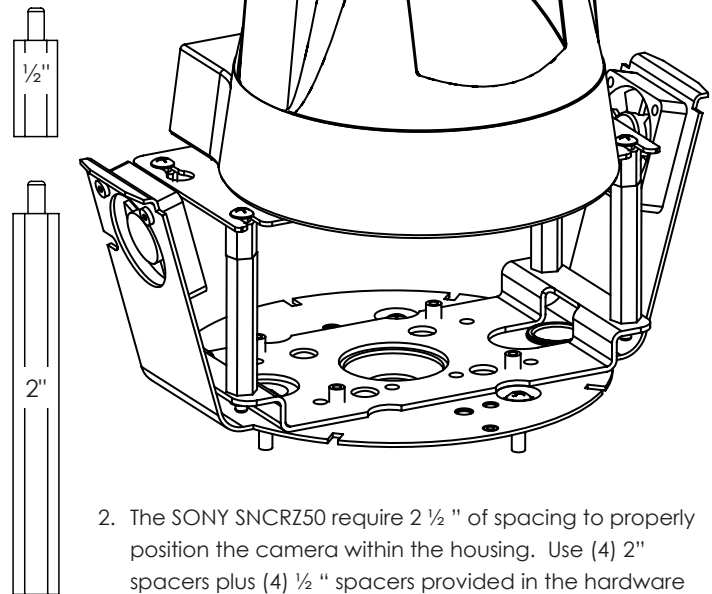
2539 Mounting Plate:



Attach camera using this hole



1. Attach the SNCRZ50 camera to 2539 mounting plate using 3mm x 8mm bolt lockwashers provided.

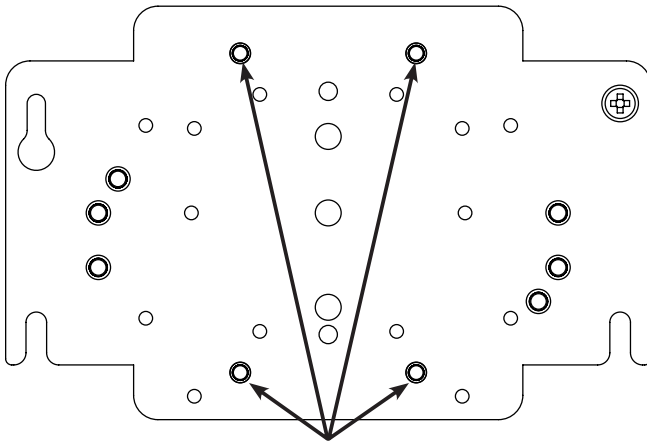


2. The SONY SNCRZ50 require 2 1/2 " of spacing to properly position the camera within the housing. Use (4) 2" spacers plus (4) 1/2 " spacers provided in the hardware packet.
3. Place (3) 8 x 32 x 3/8 Phillips head screws on the top of the spacer as shown above. Be sure to place the screws so that they line up with the open slots on the mounting plate.
4. Slide the mounting plate with camera into position on top of spacers. Secure 3 screws and captive fastener.

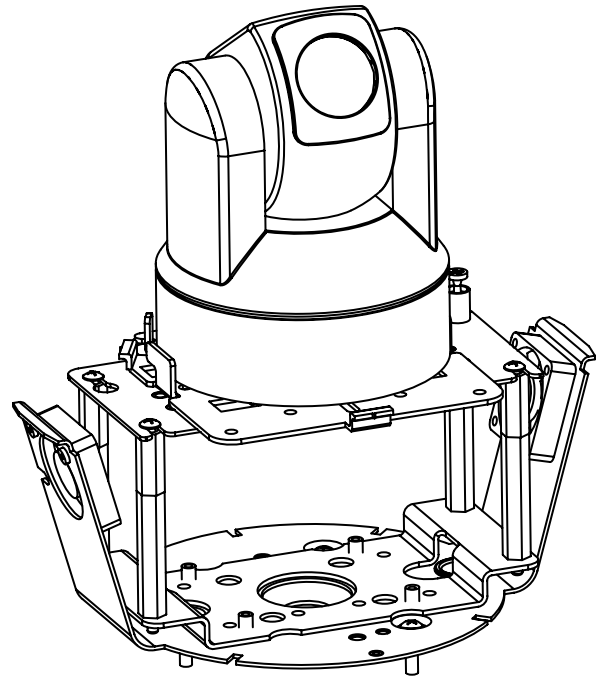
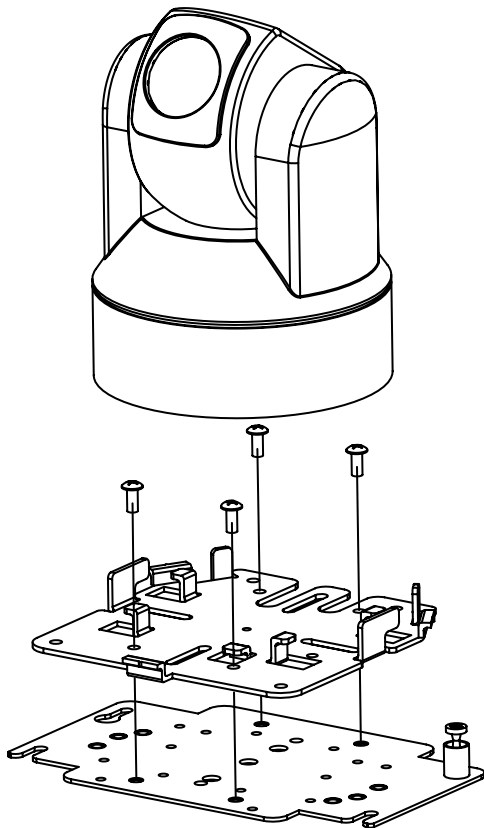
## INSTALLING QUICK RELEASE BRACKETS

TOSHIBA IK-WB21A

2539 Mounting Plate:



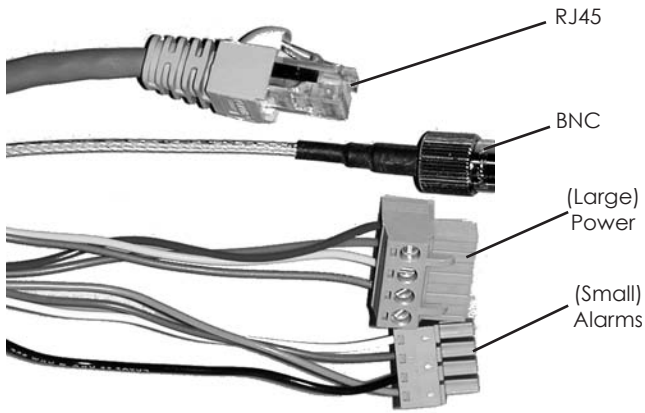
Attach camera using these (4) holes



1. Remove the quick release bracket from the camera. Using (4) 8 x 32 x 3/8 bolts and star washers attach the quick release plate to the 2539 mounting plate.

2. The Toshiba 1K-WB21A requires 3" of spacing to properly position the camera within the housing. Use (4) 2" spacers plus (4) 1" spacers provided in the hardware packets.
3. Place (3) 8 x 32 x 3/8 Phillips head screws on the top of the spacer as shown above. Be sure to place the screws so that they line up with the open slots on the mounting plate.
4. Slide the mounting plate with camera into position on top of spacers. Secure 3 screws and captive fastener.

## WIRING INSTRUCTIONS



### Wiring Color Code Power and Control Inputs

#### AFTER CAMERA INSTALLATION

Make inside housing wiring connections following Chart B below.

#### Chart A Wiring Color Code

Power and Control Inputs (Outside of housing)

POWER		
1	Camera Power (+12 VDC)	Red
2	Camera Power (-12 VDC)	Orange
3	Accessory Power (+12 VDC)	Yellow
4	Accessory Power (-12 VDC)	Green
CONTROL RJ45 Ethernet Connector		
ALARMS		
1	Alarm 1	Blue
2	Alarm 2	Violet
3	Alarm 3	Gray
4	Common	White

#### Chart B Power and Control Outputs (Inside of housing)

POWER		
1	Camera Power (+12 VDC)	Red
2	Camera Power (-12 VDC)	Orange
ALARMS		
1	Alarm 1	Blue
2	Alarm 2	Violet
3	Alarm 3	Gray
4	Common	White

## INSTALLING THE HOUSING ASSEMBLY:



Be sure the bracket is properly and securely mounted to a supporting structure capable of rigidly holding the weight of the entire unit.



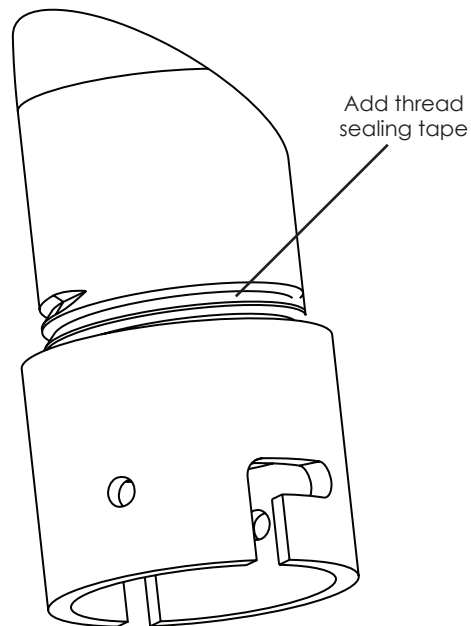
**NOTE:** This unit is designed for operation in an upright position. Installing the housing upside down may cause damage to the internal equipment, and will void the warranty.

## INSTALLING PENDANT MOUNT

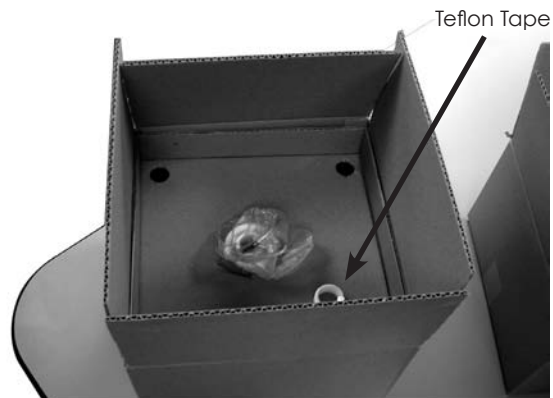
1. This unit includes a 1½" NPT housing for a standard 1½" NPT pipe. The housing can be used with other brackets designed with 1½" male pipe threads, such as the WM20G wall mount bracket.

2. Attach the housing coupling.

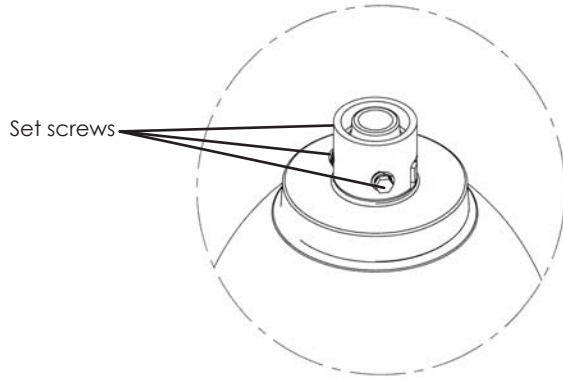
**NOTE:** Pipe threads should be clean and rust-free. Use the Teflon™ tape included with the housing on the threads.



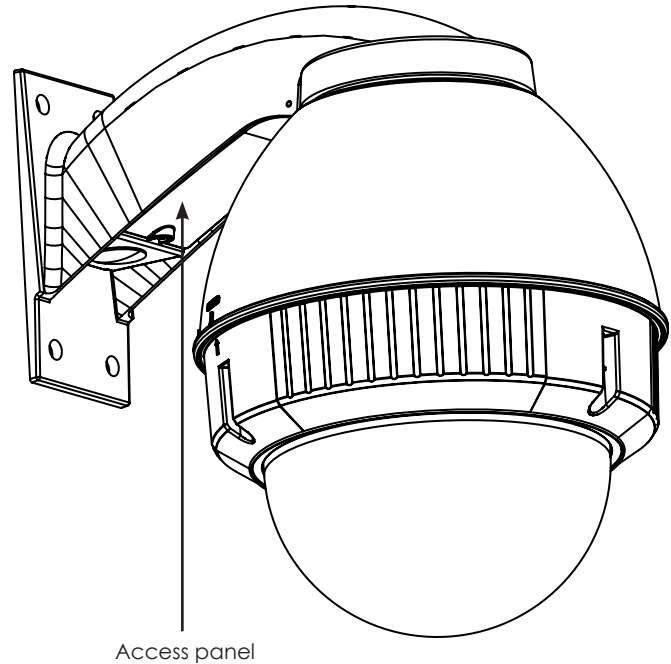
A small roll of Teflon tape is provided with all pendant units.



3. Mount the housing assembly to the mounting bracket and housing coupling. A safety cable is included with the housing to temporarily hold it while making wiring connections. Loop the safety cable over one of the set screws on the housing coupling and make the appropriate connections using the (2) screw-down connectors supplied.
4. Undo the safety cable and twist the housing onto the housing coupling. Secure all (3) setscrews provided on the housing coupling.



2. The wall mount bracket provided with the FDW7 includes a location for conduit entry. If you wish to install conduit to the bracket remove the conduit hole plug. Install fitting from below the wall mount and secure with conduit nut from inside the bracket.
3. Open the access door on the bottom of the wall mount by loosening the screw nearest the mounting plate.



## INSTALLING WALL MOUNT

A wall mount bracket comes standard with this unit, and a template is included to use as a guide for mounting the bracket to a wall.

1. Choose the desired location for installation and mark the drill holes using the template. Screw (2) bolts (not provided) about  $\frac{3}{4}$  of the way into the (2) top holes. Run approximately 8 of wiring out of the wall.

**NOTE:** Be sure the hardware and the mounting surface can support the weight of the wall mount bracket plus the weight of the housing and drive unit. The load will be subjected to vibration from the camera motor and wind.

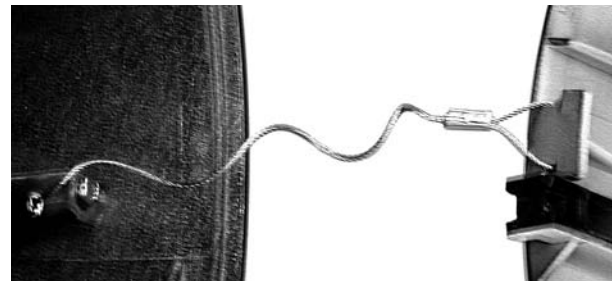
4. Attach the wires from the wall to the connector provided, using the wiring color code chart as a guide.
5. Once all wiring connections are made, place the wires inside the wall mount bracket and close the access door. Secure with the screw removed earlier.

## CONNECTING THE TRIM RING ASSEMBLY TO THE HOUSING TOP:

1. Open the access door on the bottom of the wall mount by loosening the screw nearest the mounting plate.

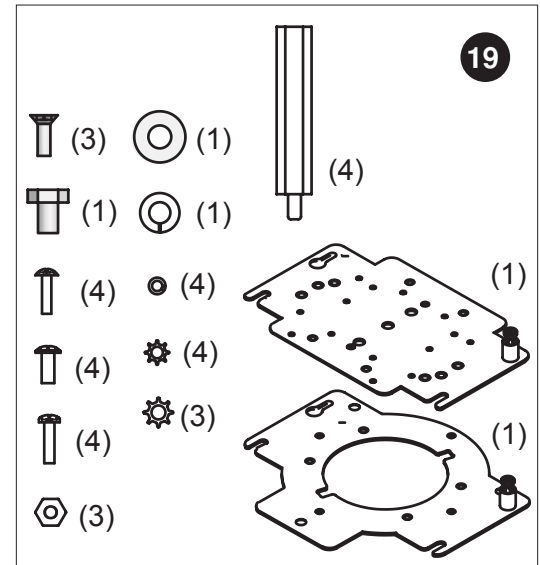
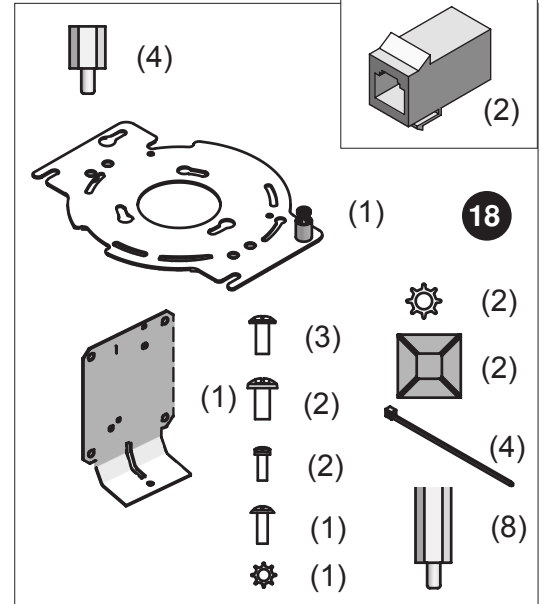
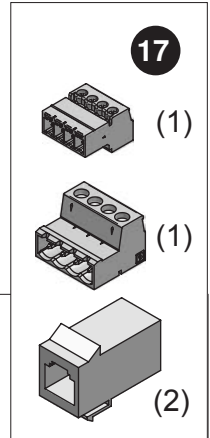
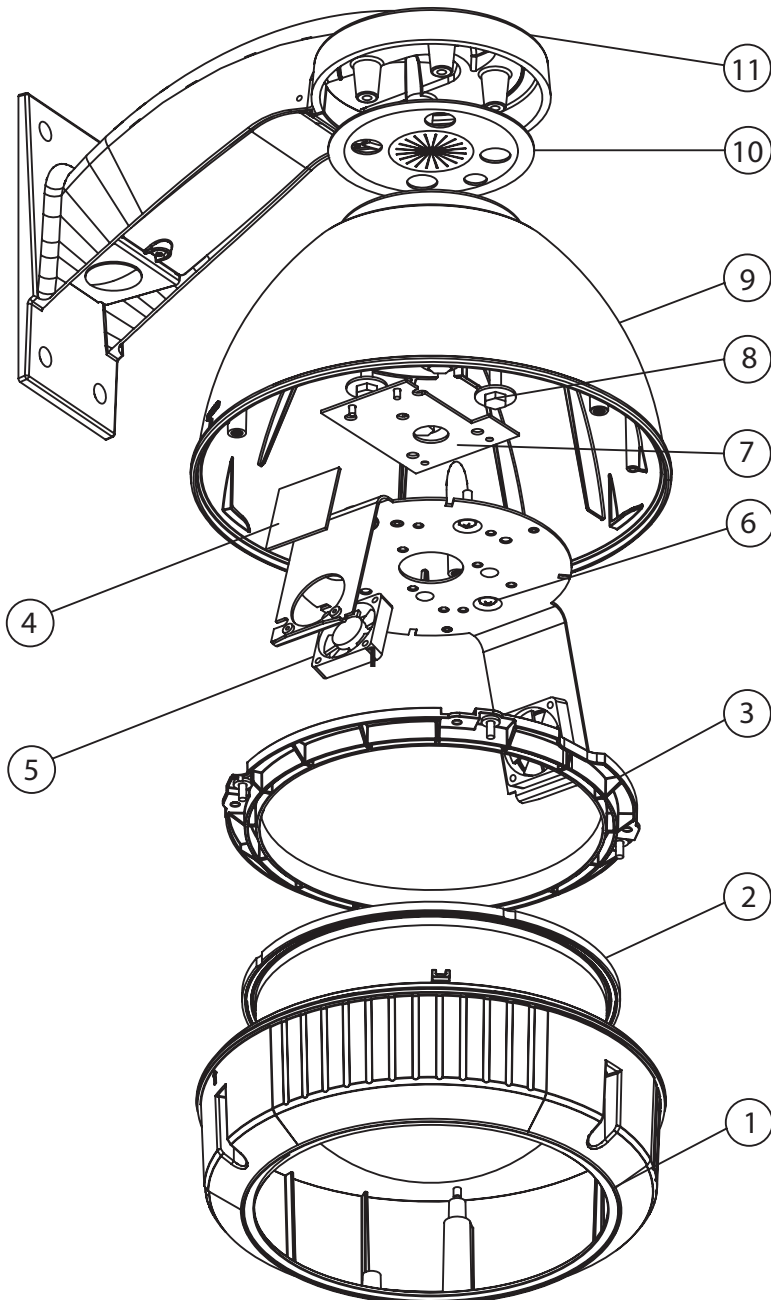
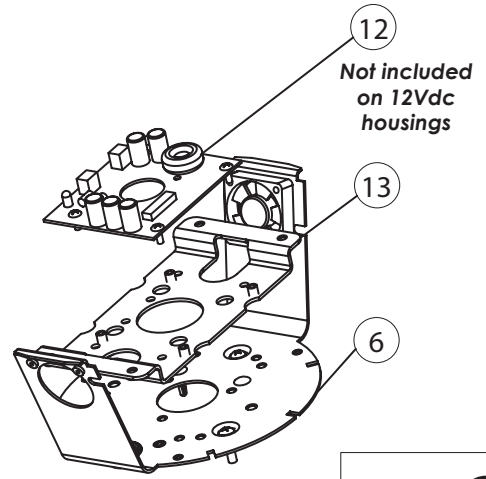
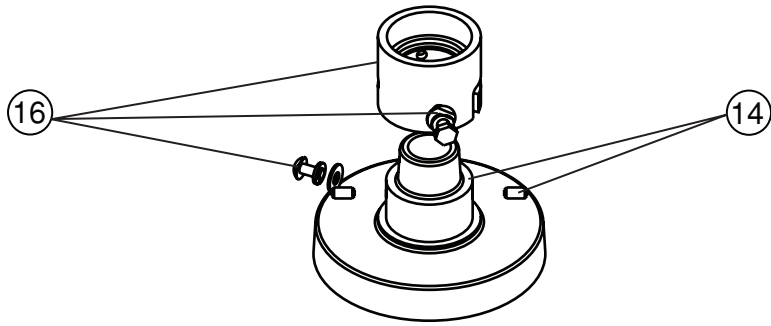


2. There is a safety lanyard that is attached to the inside of the dome assembly. Take the open end of the lanyard and loop it around the lanyard tab that is located inside the housing top.



3. The safety lanyard is now attached to the housing.

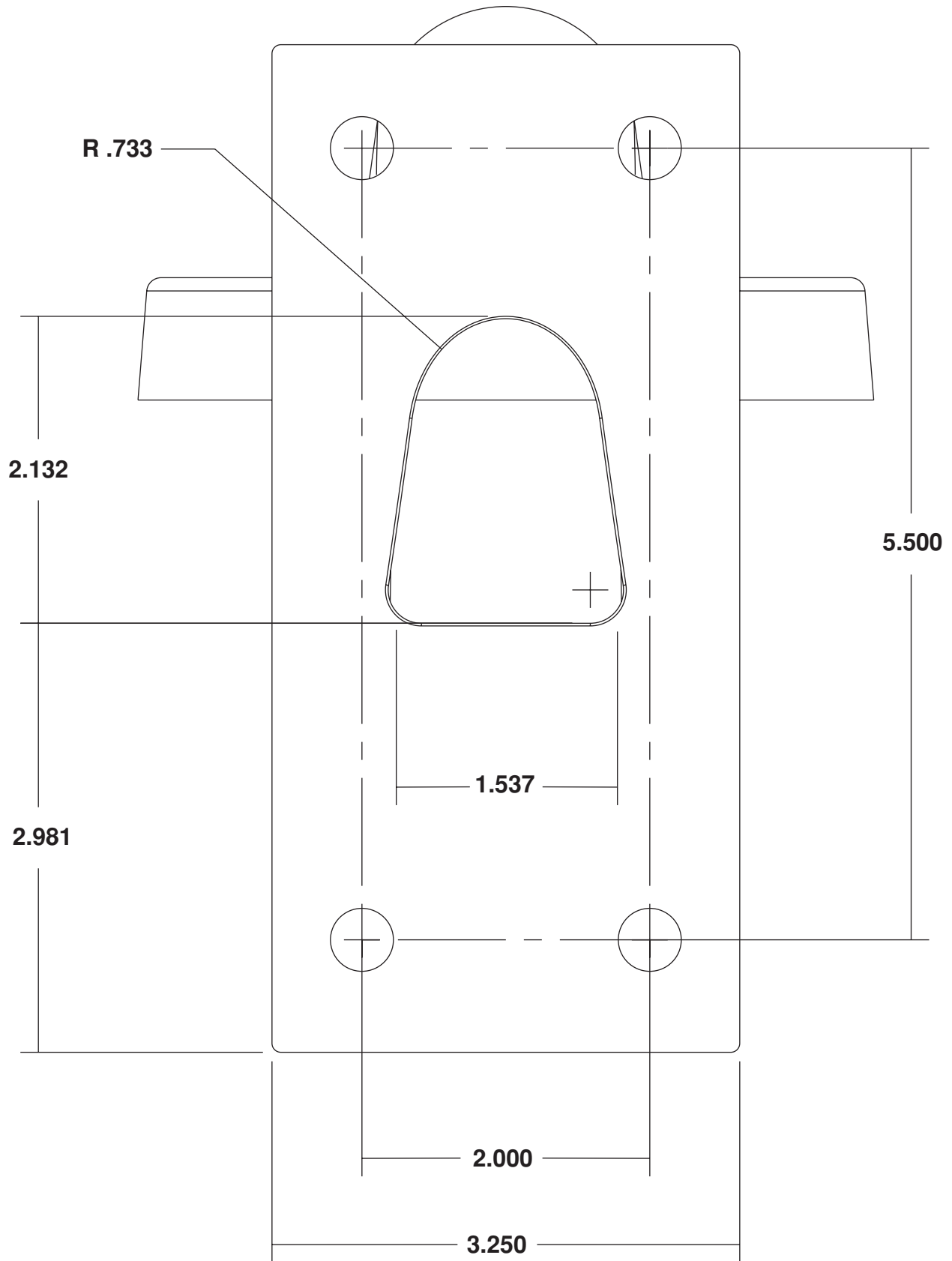
# Exploded View for Replacement Parts



## Replacement Parts List

	Part Number	Description
1	RPF07501	LOWER TRIM RING
2	FD7T	TINTED REPLACEMENT CAPSULE
	FD7C	CLEAR REPLACEMENT CAPSULE
3	RPF0703	DOME CLAMPING BRACKET
4	RPF0702	24 VAC HEATER
5	RPF080	(12 VDC) BLOWER (USED IN 24V HOUSINGS)
6	RPF060	CAMERA BRACKET
7	RPF050 (MODEL FD7HB)	CONNECTION PCB (24VAC ONLY)
	RPRH707 (MODEL FD7NHB)	CONNECTION PCB (NETWORK MODELS) (24VAC ONLY)
8	RPF040	HOUSING HARDWARE
9	RPF0709	HOUSING TOP
10	RPF02612	HOUSING TOP - GASKET
11	WM10	WM10 WALL MOUNT
12	RPNET02	NETWORK HOUSINGS POWER BOARD <i>(NOT INCLUDED ON 12VDC UNITS)</i>
13	RPNET04	NETWORK CAMERA BRACKETS
14	SD0170	PENDANT HOUSING COUPLING
15	SD0180	QUICK RELEASE PIPE COUPLING
16	SD0160	PENDANT MOUNT BRACKET
17	RPPKH2090	HOUSING HARDWARE PACKET A
18	RPPKH2071	HOUSING HARDWARE PACKET B
19	RPPKE1100	ELECTRICAL PACKET
N/S	RPPKE1125	ELECTRICAL PACKET, HB, FIXED NETWORK
N/S	RPTRAN02	40VA WALL TRANSFORMER

# Mounting Template





## Free Manuals Download Website

<http://myh66.com>

<http://usermanuals.us>

<http://www.somanuals.com>

<http://www.4manuals.cc>

<http://www.manual-lib.com>

<http://www.404manual.com>

<http://www.luxmanual.com>

<http://aubethermostatmanual.com>

Golf course search by state

<http://golfingnear.com>

Email search by domain

<http://emailbydomain.com>

Auto manuals search

<http://auto.somanuals.com>

TV manuals search

<http://tv.somanuals.com>