

**48HC**

**Single Package Rooftop  
Gas Heating/Electric Cooling Unit  
with Puron® (R-410A) Refrigerant  
Sizes: 17, 20, 24, 28**



# Installation Instructions

**NOTE:** Read the entire instruction manual before starting the installation

## TABLE OF CONTENTS


SAFETY CONSIDERATIONS .....	2	Units without Thru-Base Connections .....	22
INSTALLATION .....	9	Field Control Wiring .....	22
Jobsite Survey .....	9	Thermostat .....	22
Step 1 - Plan for Unit Location .....	9	Unit without Thru-Base Conversion Kit .....	22
Roof Mount .....	9	Heat Anticipator Settings .....	23
Step 2 - Plan for Sequence of Unit Installation .....	10	Transformer Connection for 208-v Power Supply .....	23
Curb-Mount Installation .....	10	Humidi-MiZer® Control Connections .....	24
Pad-Mount Installation .....	10	Humidi-MiZer - Space RH Controller .....	24
Frame-Mount Installation .....	10	PremierLink™ (Factory Option) .....	26
Step 3 - Inspect Unit .....	10	Supply Air Temperature (SAT) Sensor .....	29
Step 4 - Provide Unit Support .....	10	Outdoor Air Temperature (OAT) Sensor .....	29
Roof Curb Mount .....	10	EconoMi\$er2 .....	29
Slab Mount (Horizontal Units Only) .....	10	Field Connections .....	29
Alternate Unit Support (In Lieu of Curb or Slab Mount) .....	10	Space Sensors .....	31
Step 5 - Field Fabricate Ductwork .....	14	Connect Thermostat .....	31
Step 6 - Rig and Place Unit .....	14	Configure the Unit for Thermostat Mode .....	31
Positioning on Curb .....	15	Economizer Controls .....	32
Step 7 - Horizontal Duct Connection .....	15	Indoor Air Quality (CO <sub>2</sub> ) Sensor .....	32
Step 8 - Install Outside Air Hood — Factory Option ..	15	Outdoor Air Quality Sensor .....	32
Step 9 - Install Flue Hood and Combustion Air Hood ..	16	Space Relative Humidity Sensor or Humidistat Connections .....	33
Step 10 - Install Gas Piping .....	16	Smoke Detector/Fire Shutdown (FSD) .....	34
Gas Supply Line .....	16	Filter Status Switch .....	34
Factory-Option Thru-Base Connections .....	18	Supply Fan Status Switch .....	34
Step 11 - Install External Condensate Trap and Line ..	19	Remote Occupied Switch .....	34
Step 12 - Make Electrical Connections .....	19	Power Exhaust (output) .....	34
Field Power Supply .....	19	CCN Communication Bus .....	35
Units without Factory-Installed Disconnect .....	20	RTU Open Control System .....	36
Units with Factory-Installed Disconnect .....	20	Supply Air Temperature (SAT) Sensor .....	39
All Units .....	20	Outdoor Air Temperature (OAT) Sensor .....	39
Convenience Outlets .....	20	EconoMi\$er2 .....	39
Factory-Option Thru-Base Connections .....	22		

Field Connections .....	39
Space Temperature (SPT) Sensors .....	40
Indoor Air Quality (CO <sub>2</sub> ) Sensor .....	40
Outdoor Air Quality Sensor .....	41
Space Relative Humidity Sensor or Humidistat ..	41
Smoke Detector/Fire Shutdown (FSD) .....	42
Connecting Discrete Inputs .....	42
Communication Wiring - Protocols .....	43
General .....	43
Local Access .....	44
RTU Open Troubleshooting .....	44
Outdoor Air Enthalpy Control .....	45
Differential Enthalpy Control .....	45
Smoke Detectors .....	46
Return Air Sensor Tube Installation .....	46
Smoke Detector Test Magnet .....	47
Additional Application Data .....	47
Step 13 - Adjust Factory-Installed Options .....	50
Step 14 - Install Accessories .....	50

## SAFETY CONSIDERATIONS

Improper installation, adjustment, alteration, service, maintenance, or use can cause explosion, fire, electrical shock or other conditions which may cause personal injury or property damage. Consult a qualified installer, service agency, or your distributor or branch for information or assistance. The qualified installer or agency must use factory-authorized kits or accessories when modifying this product. Refer to the individual instructions packaged with the kits or accessories when installing.

Follow all safety codes. Wear safety glasses and work gloves. Use quenching cloths for brazing operations and have a fire extinguisher available. Read these instructions thoroughly and follow all warnings or cautions attached to the unit. Consult local building codes and appropriate national electrical codes (in USA, ANSI/NFPA70, National Electrical Code (NEC); in Canada, CSA C22.1) for special requirements.

It is important to recognize safety information. This is the safety-alert symbol . When you see this symbol on the unit and in instructions or manuals, be alert to the potential for personal injury.

Understand the signal words DANGER, WARNING, CAUTION, and NOTE. These words are used with the safety-alert symbol. DANGER identifies the most serious hazards which **will** result in severe personal injury or death. WARNING signifies hazards which **could** result in personal injury or death. CAUTION is used to identify unsafe practices, which **may** result in minor personal injury or product and property damage. NOTE is used to highlight suggestions which **will** result in enhanced installation, reliability, or operation.

## WARNING

### FIRE, EXPLOSION HAZARD

Failure to follow this warning could result in personal injury or death.

Disconnect gas piping from unit when leak testing at pressure greater than 0.5 psig (3450 Pa). Pressures greater than 0.5 psig (3450 Pa) will cause gas valve damage resulting in hazardous condition. If gas valve is subjected to pressure greater than 0.5 psig (3450 Pa), it must be replaced before use. When pressure testing field-supplied gas piping at pressures of 0.5 psig (3450 Pa) or less, a unit connected to such piping must be isolated by closing the manual gas valve.

## WARNING

### ELECTRICAL SHOCK HAZARD

Failure to follow this warning could cause personal injury or death.

Before performing service or maintenance operations on unit, always turn off main power switch to unit and install lock(s) and lockout tag(s). Unit may have more than one power switch.

## WARNING

### UNIT OPERATION AND SAFETY HAZARD

Failure to follow this warning could cause personal injury, death and/or equipment damage.

Puron® (R-410A) refrigerant systems operate at higher pressures than standard R-22 systems. Do not use R-22 service equipment or components on Puron refrigerant equipment.

## WARNING

### PERSONAL INJURY AND ENVIRONMENTAL HAZARD

Failure to follow this warning could cause personal injury or death.

Relieve pressure and recover all refrigerant before system repair or final unit disposal.

Wear safety glasses and gloves when handling refrigerants. Keep torches and other ignition sources away from refrigerants and oils.



## CAUTION

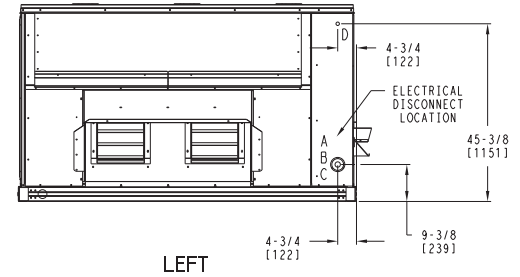
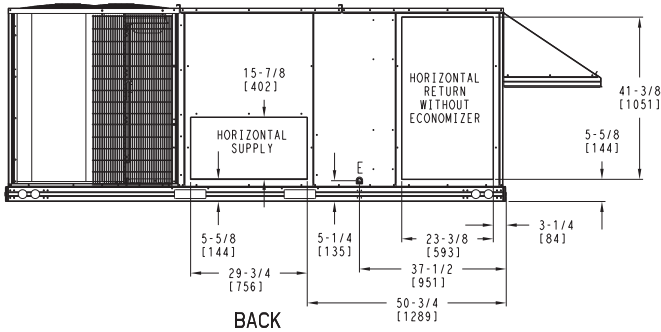
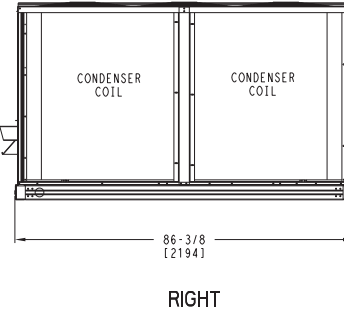
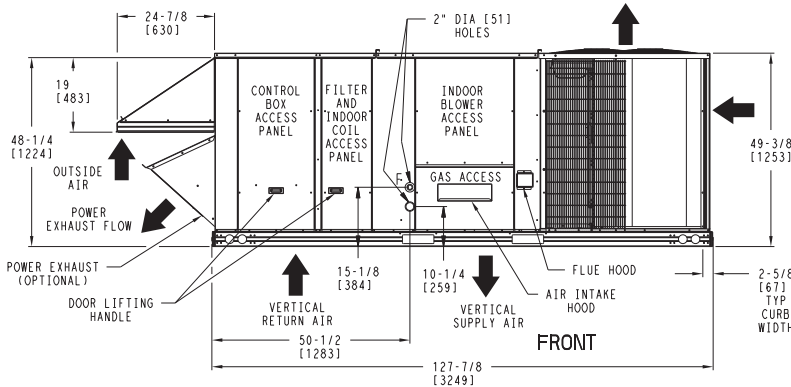
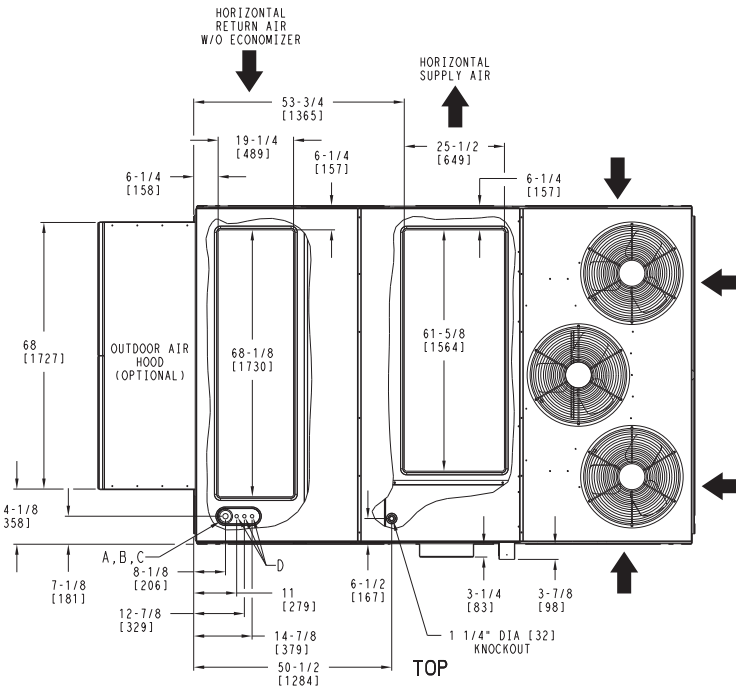
### CUT HAZARD

Failure to follow this caution may result in personal injury.

Sheet metal parts may have sharp edges or burrs. Use care and wear appropriate protective clothing, safety glasses and gloves when handling parts and servicing air conditioning equipment.

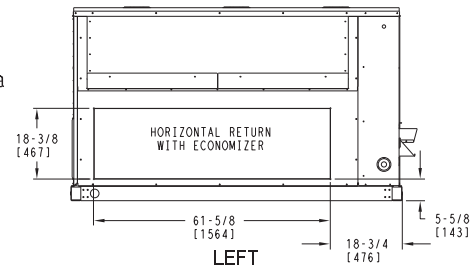
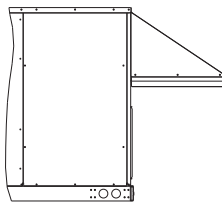
NOTES:

1. DIMENSIONS ARE IN INCHES, DIMENSIONS IN [ ] ARE IN MILLIMETERS.
2.  CENTER OF GRAVITY
3.  DIRECTION OF AIR FLOW



(HORIZONTAL DISCHARGE W/O ECON)  
(WHEN ORDERED)

CONNECTION SIZES	
A	1 3/8" DIA [35] FIELD POWER SUPPLY KNOCKOUT
B	3" DIA [76] FIELD POWER SUPPLY KNOCKOUT
C	3 5/8" DIA [92] FIELD POWER SUPPLY KNOCKOUT
D	7/8" DIA [22] FIELD CONTROL WIRING HOLE
E	3/4"-14 NPT CONDENSATE DRAIN
F	3/4"-14 NPT GAS CONNECTION (NOT SHOWN)



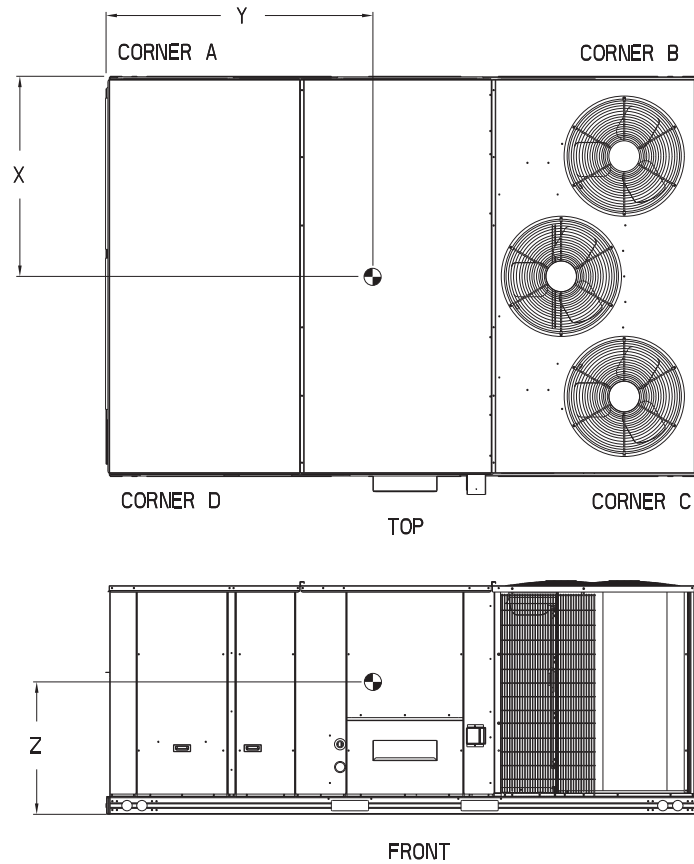
BACK

(HORIZONTAL DISCHARGE W/ ECON)  
(WHEN ORDERED)

Fig. 1 - Unit Dimensional Drawing – 17 Size Unit

UNIT	STD UNIT WEIGHT *		CORNER WEIGHT (A)		CORNER WEIGHT (B)		CORNER WEIGHT (C)		CORNER WEIGHT (D)		C.G.		
	LBS.	KG.	LBS.	KG.	LBS.	KG.	LBS.	KG.	LBS.	KG.	X	Y	Z
48HC17	1892	860	401	182	449	204	565	257	505	230	48 [1219]	67 3/8 [1711]	16 1/2 [419]

\* STANDARD UNIT WEIGHT IS WITH LOW GAS HEAT AND WITHOUT PACKAGING.  
FOR OTHER OPTIONS AND ACCESSORIES, REFER TO THE PRODUCT DATA CATALOG.





**Fig. 1 - Unit Dimensional Drawing – 17 Size Unit (cont.)**

C10897

48HC

NOTES:

1. DIMENSIONS ARE IN INCHES, DIMENSIONS IN [ ] ARE IN MILLIMETERS.
2.  CENTER OF GRAVITY
3.  DIRECTION OF AIR FLOW

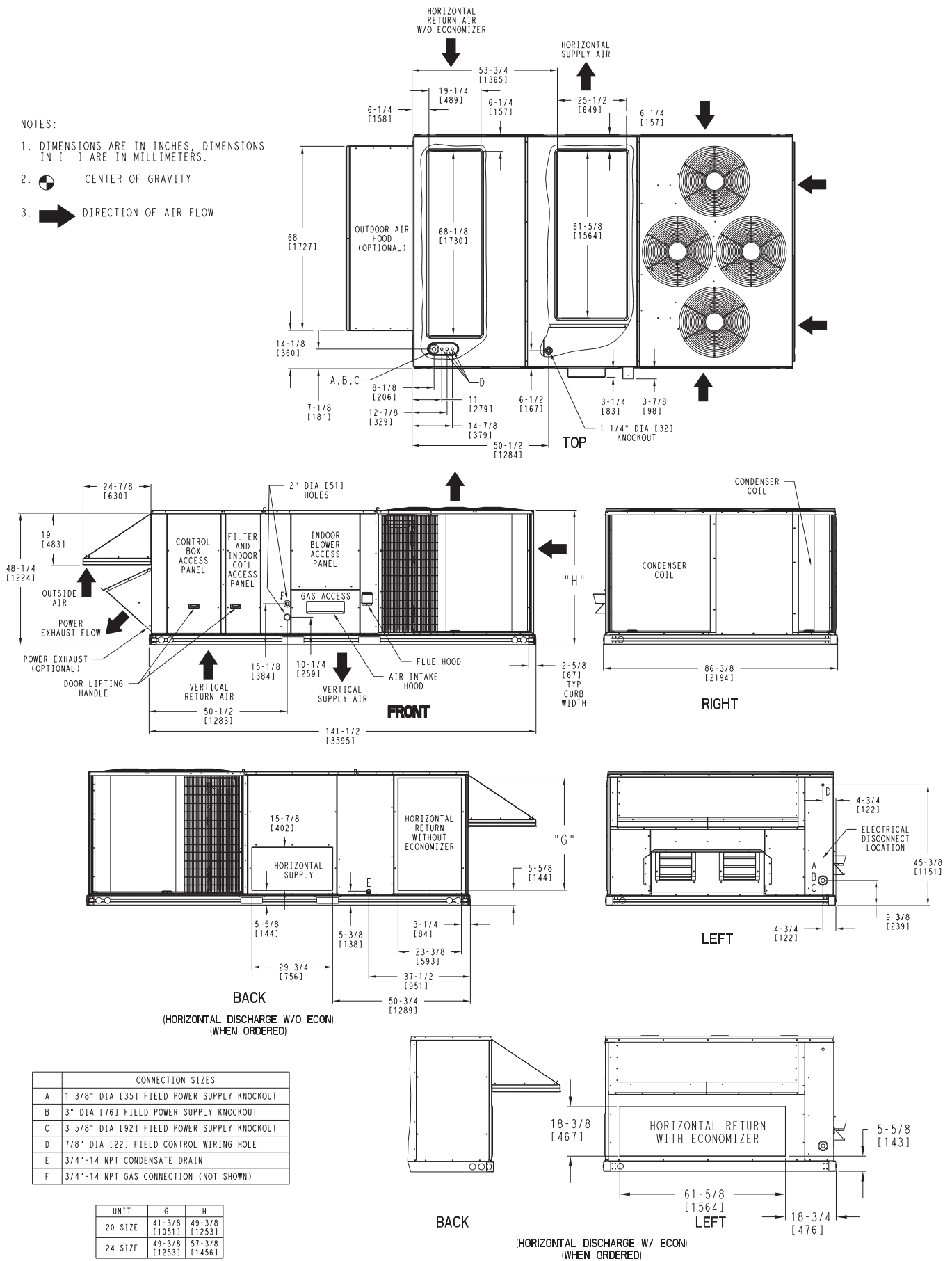
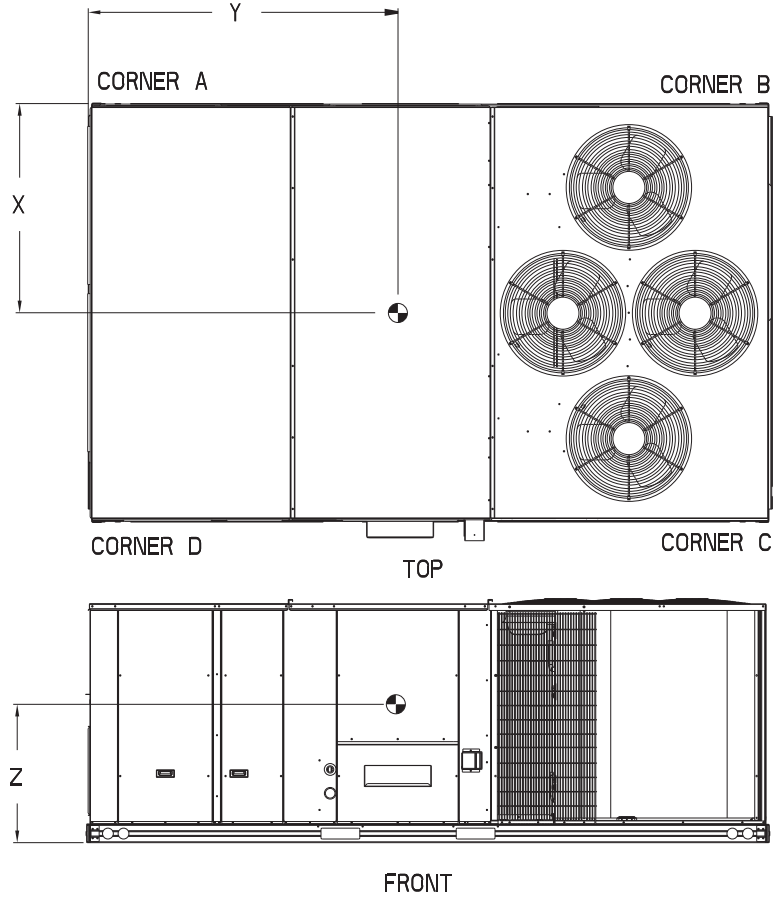


Fig. 2 - Unit Dimensional Drawing – 20 and 24 Size Units

C10892

UNIT	STD. UNIT WEIGHT *		CORNER WEIGHT (A)		CORNER WEIGHT (B)		CORNER WEIGHT (C)		CORNER WEIGHT (D)		C.G.		
	LBS.	KG.	LBS.	KG.	LBS.	KG.	LBS.	KG.	LBS.	KG.	X	Y	Z
48HC20	2102	956	474	215	390	177	593	269	582	265	47 1/2 [1207]	71 1/4 [1810]	16 1/2 [419]
48HC24	2247	1021	540	246	556	253	598	272	581	264	44 5/8 [1133]	71 5/8 [1819]	19 [483]

\* STANDARD UNIT WEIGHT IS WITH LOW GAS HEAT AND WITHOUT PACKAGING.  
 FOR OTHER OPTIONS AND ACCESSORIES, REFER TO THE PRODUCT DATA CATALOG.



**Fig. 2 - Unit Dimensional Drawing – 20 and 24 Size Units (cont.)**

C10893

NOTES:

1. DIMENSIONS ARE IN INCHES. DIMENSIONS IN [ ] ARE IN MILLIMETERS.
2. CENTER OF GRAVITY
3. DIRECTION OF AIR FLOW

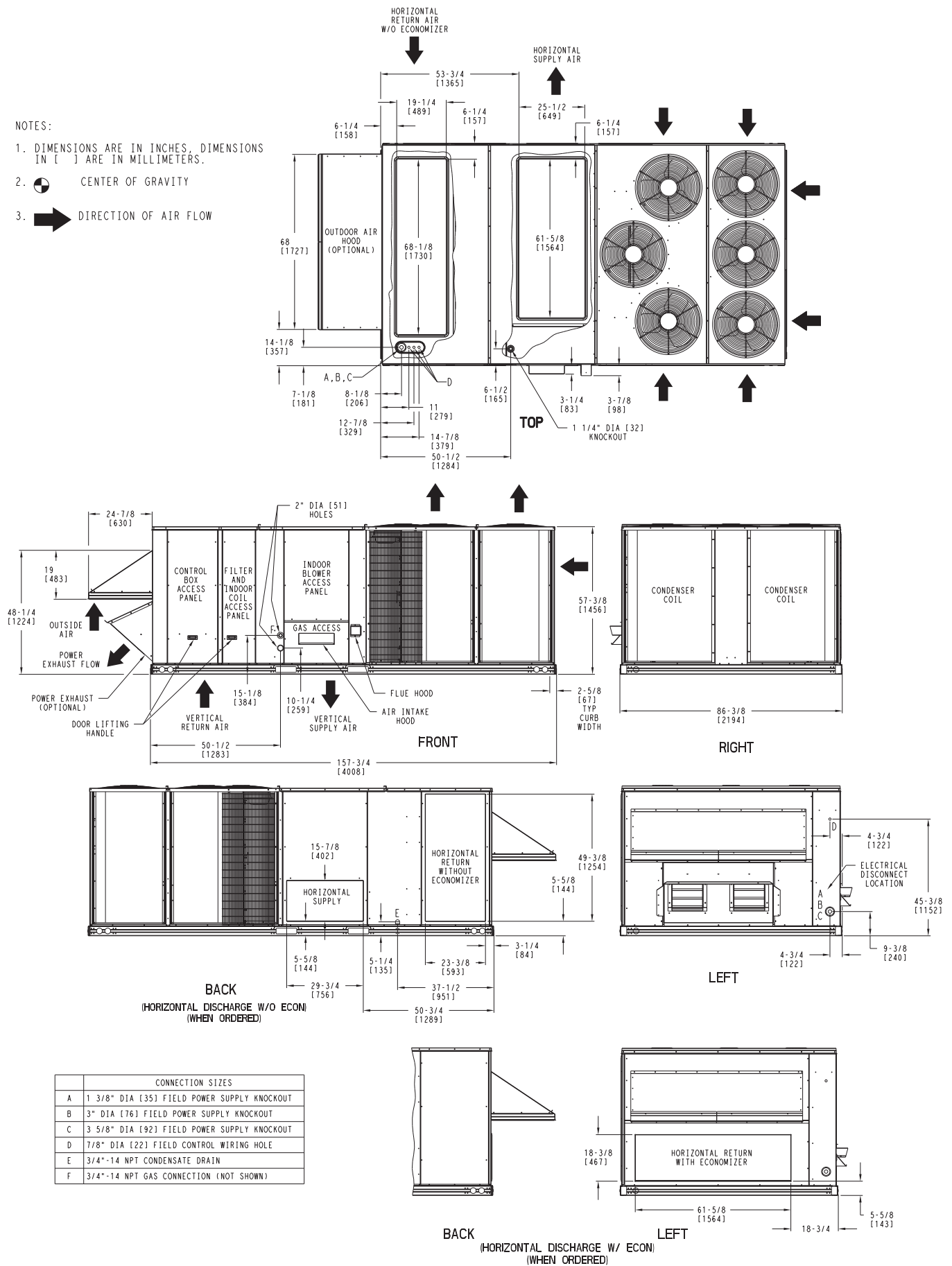
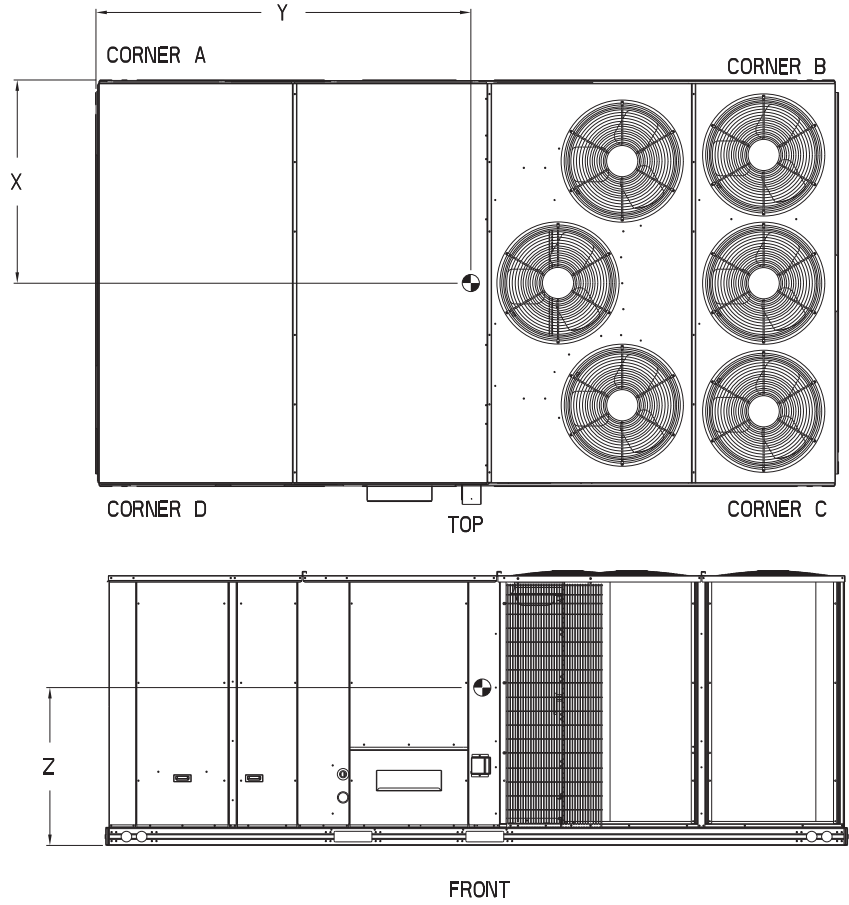


Fig. 3 - Unit Dimensional Drawing – 28 Size Unit

UNIT	STD UNIT WEIGHT *		CORNER WEIGHT (A)		CORNER WEIGHT (B)		CORNER WEIGHT (C)		CORNER WEIGHT (D)		C.G.		
	LBS.	KG.	LBS.	KG.	LBS.	KG.	LBS.	KG.	LBS.	KG.	X	Y	Z
48HC28	2292	1042	577	262	559	254	583	265	602	274	44 [1118]	77 1/2 [1969]	19 [483]

\* STANDARD UNIT WEIGHT IS WITH LOW GAS HEAT AND WITHOUT PACKAGING.  
 FOR OTHER OPTIONS AND ACCESSORIES, REFER TO THE PRODUCT DATA CATALOG.



**Fig. 3 - Unit Dimensional Drawing – 28 Size Unit (cont.)**

C10901



# INSTALLATION

## Jobsite Survey

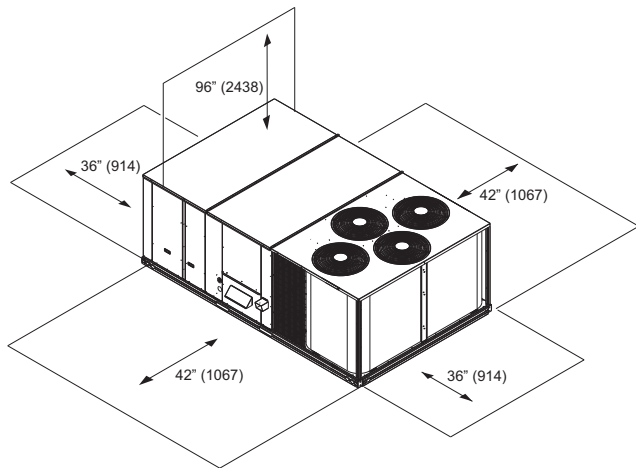
Complete the following checks before installation.

1. Consult local building codes and the NEC (National Electrical Code) ANSI/NFPA 70 for special installation requirements.
2. Determine unit location (from project plans) or select unit location.
3. Check for possible overhead obstructions which may interfere with unit lifting or rigging.

## Step 1 — Plan for Unit Location

Select a location for the unit and its support system (curb or other) that provides for the minimum clearances required for safety. This includes the clearance to combustible surfaces, unit performance and service access below, around and above unit as specified in unit drawings. See Fig. 4.

**NOTE:** Consider also the effect of adjacent units.



C10638

**Fig. 4 - Service Clearance Dimensional Drawing**

Be sure that the unit is installed such that snow will not block the combustion air intake or flue outlet.

Unit may be installed directly on wood flooring or on Class A, B, or C roof-covering material when roof curb is used.

Do not install unit in an indoor location. Do not locate air inlets near exhaust vents or other sources of contaminated air. For proper unit operation, adequate combustion and ventilation air must be provided in accordance with Section 5.3 (Air for Combustion and Ventilation) of the National Fuel Gas Code, ANSI Z223.1 (American National Standards Institute) and NFPA (National Fire Protection Association) 54 TIA--54--84--1. In Canada, installation must be in accordance with the CAN1--B149 installation codes for gas burning appliances.

Although unit is weatherproof, avoid locations that permit water from higher level runoff and overhangs to fall onto the unit.

Locate mechanical draft system flue assembly at least 4 ft (1.2 m) from any opening through which combustion products could enter the building, and at least 4 ft (1.2 m) from any adjacent building (or per local code). Locate the flue assembly at least 10 ft (3.05 m) from an adjacent unit's fresh air intake hood if within 3 ft (0.91 m) of same elevation (or per local code). When unit is located adjacent to public walkways, flue assembly must be at least 7 ft (2.1 m) above grade.

Select a unit mounting system that provides adequate height to allow installation of condensate trap per requirements. Refer to Step 11 — Install External Condensate Trap and Line – for required trap dimensions.

## Roof Mount —

Check building codes for weight distribution requirements. Unit operating weight is shown in Table 1.

**Table 1 – Operating Weights**

48HC**	UNIT LB (KG)			
	17	20	24	28
Base Unit	1892 (858)	2102 (954)	2247 (1019)	2292 (1040)
Economizer	245 (111)	245 (111)	245 (111)	245 (111)
Powered Outlet	32 (15)	32 (15)	32 (15)	32 (15)
Humidi-MiZer <sup>®</sup> System	83 (38)	83 (38)	88 (40)	92 (42)
Curb				
14-in/356 mm	273 (124)	273 (124)	273 (124)	273 (124)
24-in/610 mm	350 (159)	350 (159)	350 (159)	350 (159)

## Step 2 — Plan for Sequence of Unit Installation

The support method used for this unit will dictate different sequences for the steps of unit installation. For example, on curb-mounted units, some accessories must be installed on the unit before the unit is placed on the curb. Review the following for recommended sequences for installation steps.

### Curb-mounted installation —

- Install curb
- Install field-fabricated ductwork inside curb
- Install thru-base service connection fittings (affects curb and unit)
- Rig and place unit
- Remove top skid
- Install outside air hood
- Install smoke detector tube
- Install combustion air hood
- Install flue hood
- Install gas piping
- Install condensate line trap and piping
- Make electrical connections
- Install other accessories

### Pad-mounted installation —

- Prepare pad and unit supports
- Rig and place unit
- Remove duct covers and top skid
- Install smoke detector return air sensor tube
- Install field-fabricated ductwork at unit duct openings
- Install outside air hood
- Install combustion air hood
- Install flue hood
- Install gas piping
- Install condensate line trap and piping
- Make electrical connections
- Install other accessories

### Frame-mounted installation —

Frame-mounted applications generally follow the sequence for a curb installation. Adapt as required to suit specific installation plan.

## Step 3 — Inspect unit

Inspect unit for transportation damage. File any claim with transportation agency.

Confirm before installation of unit that voltage, amperage and circuit protection requirements listed on unit data plate agree with power supply provided.

Locate the carton containing the outside air hood parts; see Figs. 5 and 12. Do not remove carton until unit has been rigged and located in final position.

## Step 4 — Provide Unit Support

### Roof Curb Mount —

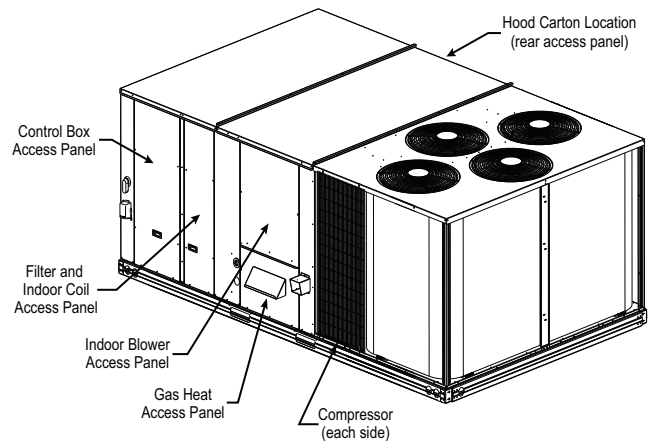
Accessory roof curb details and dimensions are shown in Figs. 6, 7 and 8. Assemble and install accessory roof curb in accordance with instructions shipped with the curb.

**NOTE:** The gasketing of the unit to the roof curb is critical for a watertight seal. Install gasket supplied with the roof curb as shown in Figs. 6, 7 and 8. Improperly applied gasket can also result in air leaks and poor unit performance.

Curb should be level. This is necessary for unit drain to function properly. Unit leveling tolerances are shown in Fig. 9. Refer to Accessory Roof Curb Installation Instructions for additional information as required.

Install insulation, cant strips, roofing felt, and counter flashing as shown. *Ductwork must be attached to curb and not to the unit. Thru-the-base power connection must be installed before the unit is set on the roof curb.* If field-installed thru-the-roof curb gas connections are desired remove knockout in basepan located in the gas section, see Fig. 5 for location. Gas connections and power connections to the unit must be field installed after the unit is installed on the roof curb.

If electric and control wiring is to be routed through the basepan, remove knockouts in basepan located in control box area of access panel; see Fig. 1, 2, or 3 for basepan knockout locations for location. Attach the service connections to the basepan.



C11154

**Fig. 5 - Typical Access Panel and Compressor Locations**

### Slab Mount (Horizontal Units Only) —

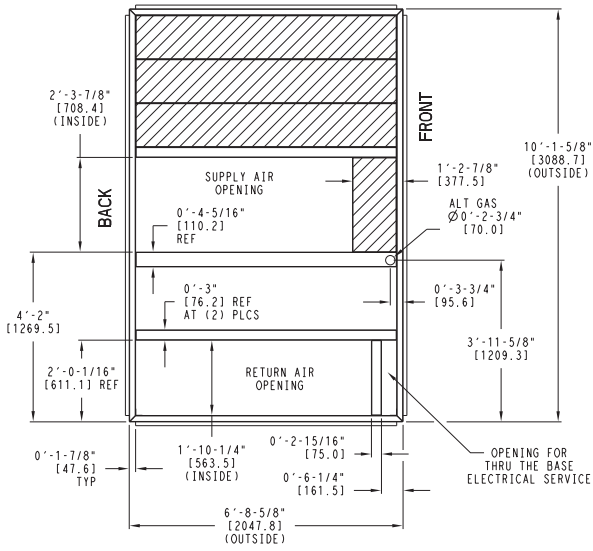
Provide a level concrete slab that extends a minimum of 6-in. (150 mm) beyond unit cabinet. Install a gravel apron in front of condenser coil air inlet to prevent grass and foliage from obstructing airflow.

**NOTE:** Horizontal units may be installed on a roof curb if required.

### Alternate Unit Support (In Lieu of Curb or Slab Mount) —

A non-combustible sleeper rail can be used in the unit curb support area. If sleeper rails cannot be used, support the long sides of the unit with a minimum of 4 equally spaced 4-in. x 4-in. (102 mm x 102 mm) pads on each side. Locate pads so that they support the rails. Make sure to avoid the fork openings.

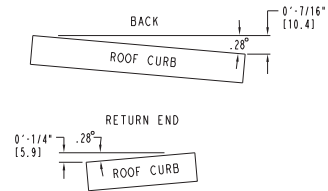
UNIT SIZE	"A"	ROOF CURB ACCESSORY
17	1'-2" [356.0] 2'-0" [610.0]	CRRFCURB045A00 CRRFCURB046A00



NOTES:

- 1 ROOF CURB ACCESSORY IS SHIPPED UNASSEMBLED.
- 2 DIMENSIONS IN [ ] ARE IN MILLIMETERS.
- 3 ROOF CURB GALVANIZED STEEL.
- 4 ATTACH DUCTWORK TO CURB (FLANGES ON DUCT REST ON CURB)
- 5 SERVICE CLEARANCE 4 FT ON EACH SIDE

➔ DIRECTION OF AIR FLOW



MAX CURB LEVELING TOLERANCES

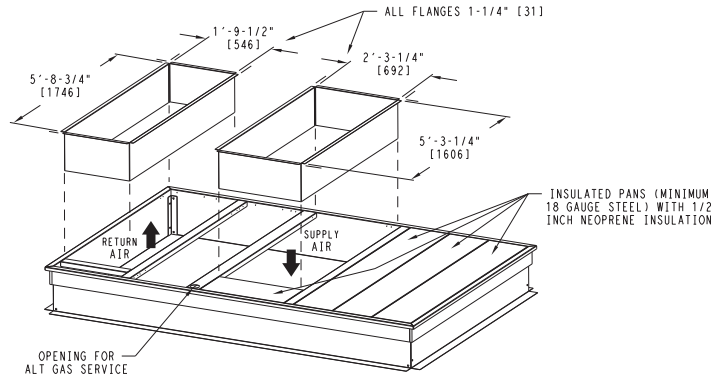
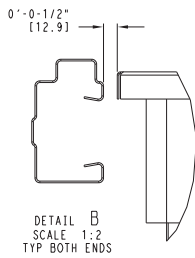
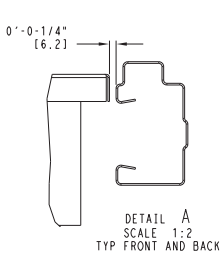
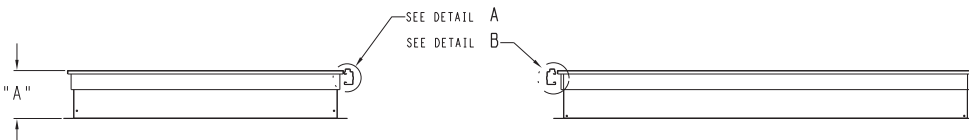
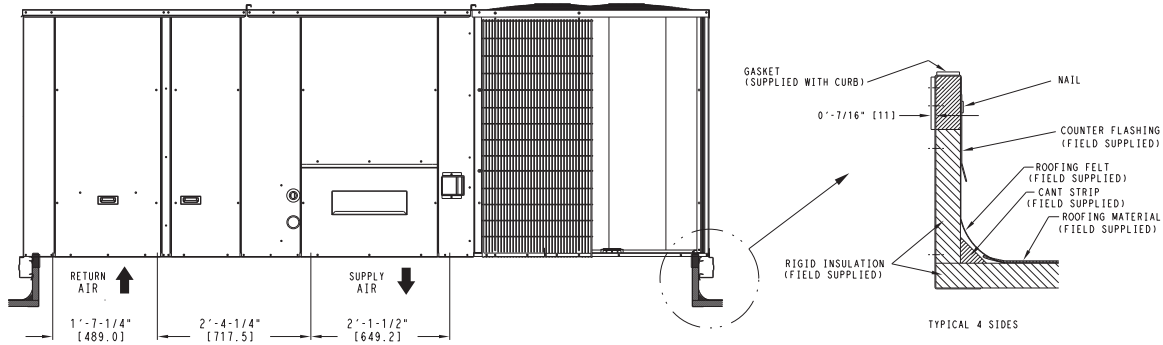
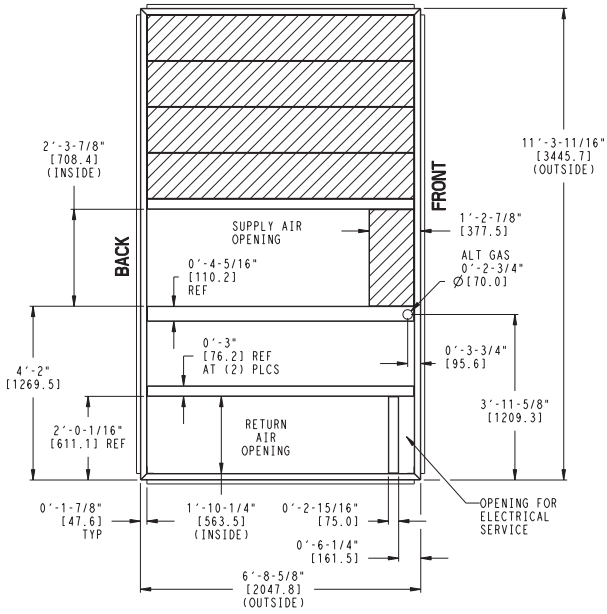


Fig. 6 - Roof Curb Details – 17 Size Unit

C10954

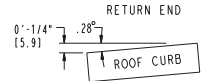
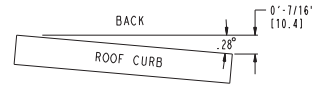
48HC

UNIT SIZE	"A"	ROOF CURB ACCESSORY
20, 24	1'-2" [356.0] 2'-0" [610.0]	CRRFCURB047A00 CRRFCURB048A00



- NOTES:
- 1 ROOF CURB ACCESSORY IS SHIPPED UNASSEMBLED.
  - 2 DIMENSIONS IN [ ] ARE IN MILLIMETERS.
  - 3 ROOF CURB GALVANIZED STEEL.
  - 4 ATTACH DUCTWORK TO CURB (FLANGES ON DUCT REST ON CURB)
  - 5 SERVICE CLEARANCE 4 ft ON EACH SIDE

➔ DIRECTION OF AIR FLOW



MAX CURB LEVELING TOLERANCES

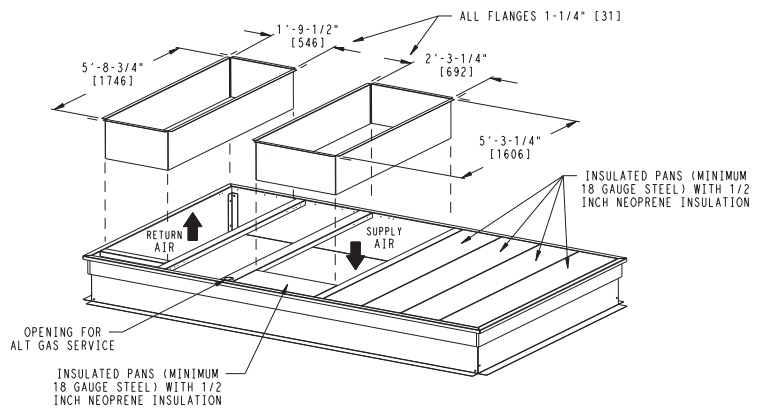
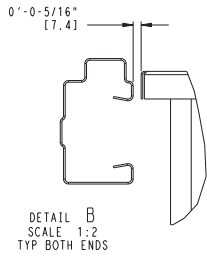
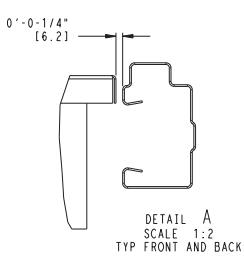
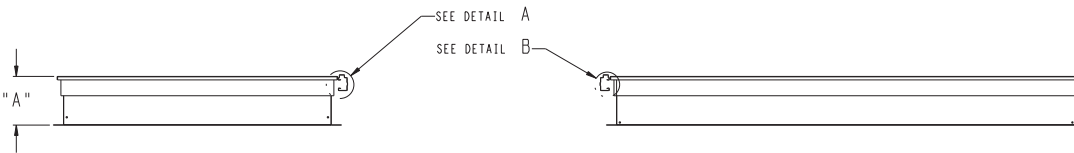
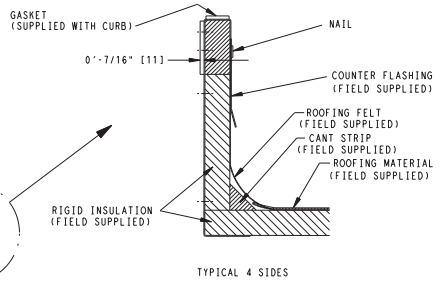
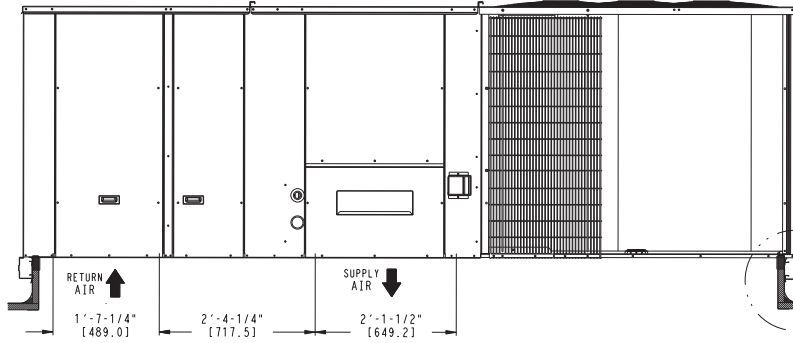
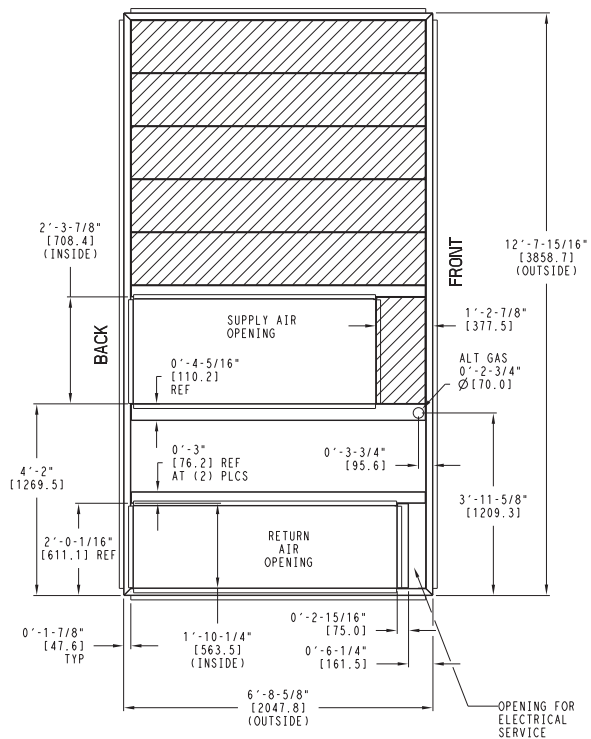


Fig. 7 - Roof Curb Details – 20 and 24 Size Units

C10955

UNIT SIZE	"A"	ROOF CURB ACCESSORY
28	1'-2" [356.0] 2'-0" [610.0]	CRRFCURB049A00 CRRFCURB050A00



- NOTES:
- 1 ROOF CURB ACCESSORY IS SHIPPED UNASSEMBLED.
  - 2 BOLT HEADS TO BE ON INSIDE OF FLANGE. CLEARANCE IS [11] 0'-0-7/16" TYP ALL CORNERS.
  - 3 DIMENSIONS IN [ ] ARE IN MILLIMETERS.
  - 4 ROOF CURB GALVANIZED STEEL.
  - 5 ATTACH DUCTWORK TO CURB (FLANGES ON DUCT REST ON CURB)
  - 6 SERVICE CLEARANCE 4 ft ON EACH SIDE
  - 7 GAS SERVICE PLATE IS PART OF A SEPARATELY SHIPPED ACCESSORY PACKAGE.
  - 8 GAS SERVICE PLATE CAN BE USED WITH EITHER ACCESSORY ROOFCURB.
- ➔ DIRECTION OF AIR FLOW

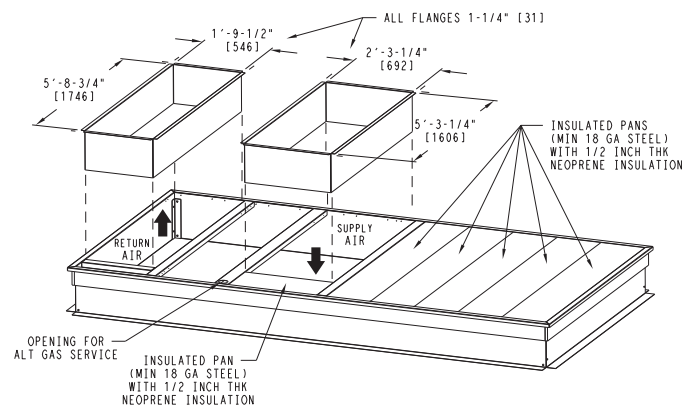
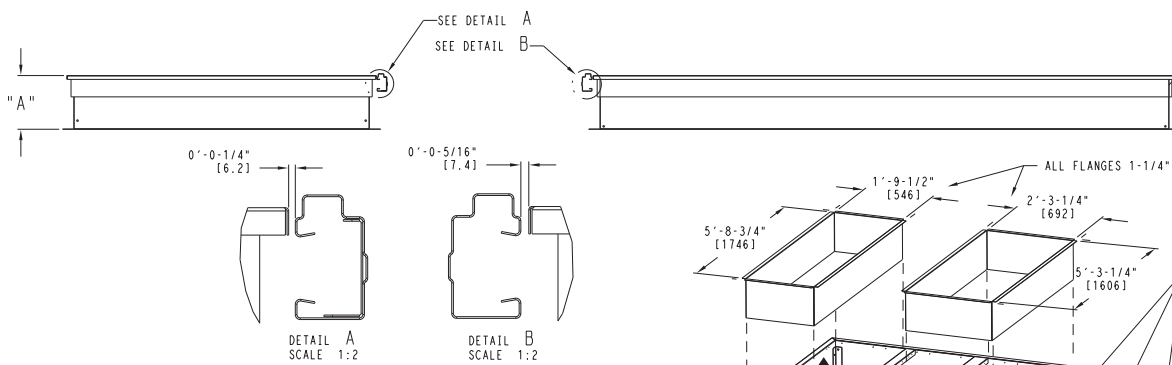
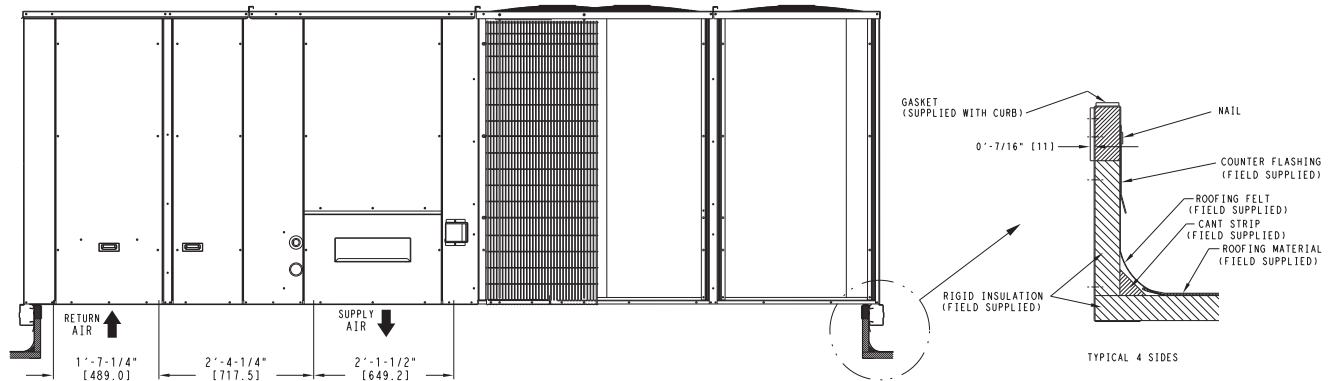
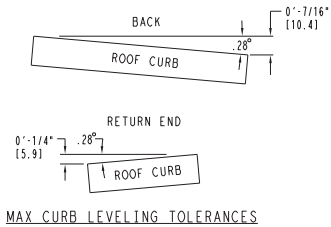


Fig. 8 - Roof Curb Details - 28 Size Unit

C10956

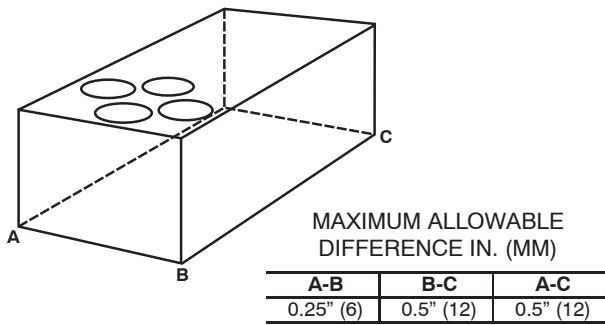


Fig. 9 - Unit Leveling Tolerances

**Step 5 — Field Fabricate Ductwork**

Cabinet return-air static pressure (a negative condition) shall not exceed 0.5 in. wg (87 Pa) with economizer or without economizer.

For vertical ducted applications, secure all ducts to roof curb and building structure. *Do not connect ductwork to unit.*

Fabricate supply ductwork so that the cross sectional dimensions are equal to or greater than the unit supply duct opening dimensions for the first 18 in. (458 mm) of duct length from the unit basepan.

Insulate and weatherproof all external ductwork, joints, and roof openings with counter flashing and mastic in accordance with applicable codes.

Ducts passing through unconditioned spaces must be insulated and covered with a vapor barrier.

If a plenum return is used on a vertical unit, the return should be ducted through the roof deck to comply with applicable fire codes.

A minimum clearance is not required around ductwork.

**⚠ CAUTION**

**PROPERTY DAMAGE HAZARD**

Failure to follow this caution may result in damage to roofing materials.

Membrane roofs can be cut by sharp sheet metal edges. Be careful when placing any sheet metal parts on such roof.

**Step 6 — Rig and Place Unit**

Keep unit upright and do not drop. Spreader bars are not required if top crating is left on unit. Rollers may be used to move unit across a roof. Level by using unit frame as a reference. See Table 1 (on page 9) and Fig. 10 for additional information.

Lifting holes are provided in base rails as shown in Fig. 10. Refer to rigging instructions on unit.

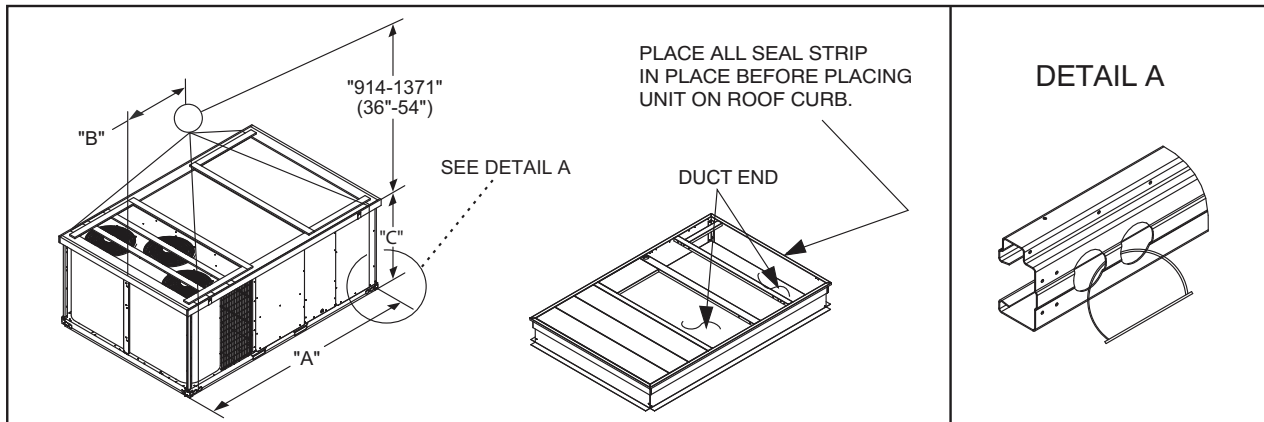
**⚠ CAUTION**

**UNIT DAMAGE HAZARD**

Failure to follow this caution may result in equipment damage.

All panels must be in place when rigging. Unit is not designed for handling by fork truck when packaging is removed.

Before setting the unit onto the curb, recheck gasketing on curb.



C09107

UNIT	MAX WEIGHT		DIMENSIONS					
			A		B		C	
	LB	KG	IN	MM	IN	MM	IN	MM
48HC**17	2339	1061	127.8	3249	58.7	1491	52.3	1328
48HC**20	2549	1156	141.5	3595	71.5	1816	52.3	1328
48HC**24	2699	1224	141.5	3595	71.5	1816	60.3	1532
48HC**28	2748	1246	157.8	4007	80.3	2040	60.3	1532

**NOTES:**

1. Dimensions in ( ) are inches.
2. Hook rigging shackles through holes in base rail, as shown in detail "A." Holes in base rails are centered around the unit center of gravity. Use wooden top to prevent rigging straps from damaging unit.

Fig. 10 - Rigging Details



## Positioning on Curb —

Position unit on roof curb so that the following clearances are maintained:  $\frac{1}{4}$  in. (6 mm) clearance between the roof curb and the base rail inside the right and left,  $\frac{1}{2}$  in. (12 mm) clearance between the roof curb and the base rail inside the front and back. This will result in the distance between the roof curb and the base rail inside on the condenser end of the unit being approximately equal to Details A and B in Figs. 6, 7 and 8.

Do not attempt to slide unit on curb after unit is set. Doing so will result in damage to the roof curb seal.

Although unit is weatherproof, guard against water from higher level runoff and overhangs.

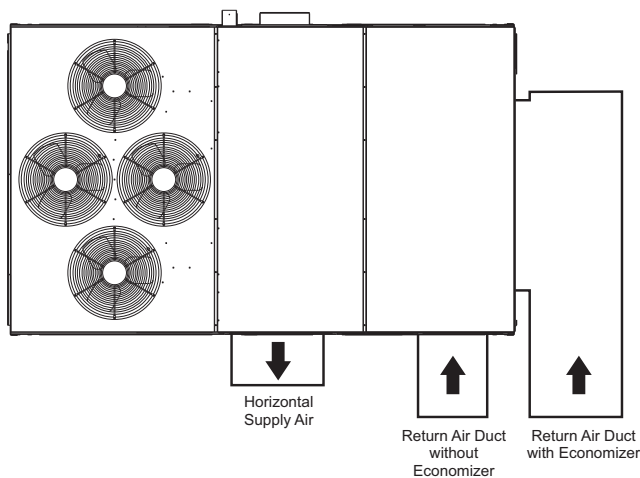
*Flue vent discharge must have a minimum horizontal clearance of 48 in. (1220 mm) from electric and gas meters, gas regulators, and gas relief equipment. Minimum distance between unit and other electrically live parts is 48 inches (1220 mm).*

Flue gas can deteriorate building materials. Orient unit such that flue gas will not affect building materials. Locate mechanical draft system flue assembly at least 48 in. (1220 mm) from an adjacent building or combustible material.

After unit is in position, remove rigging skids and shipping materials.

## Step 7 — Horizontal Duct Connection

Refer to Figs. 1, 2 and 3 for locations and sizes of the horizontal duct connections. Note that there are two different return air duct connection locations – one for unit without an economizer (on back side of unit) and a different one for unit equipped with an economizer (on left end, under the economizer hood). The supply air duct connection is on the back side. See Fig. 11 for top view depicting typical horizontal duct arrangements.



C10626

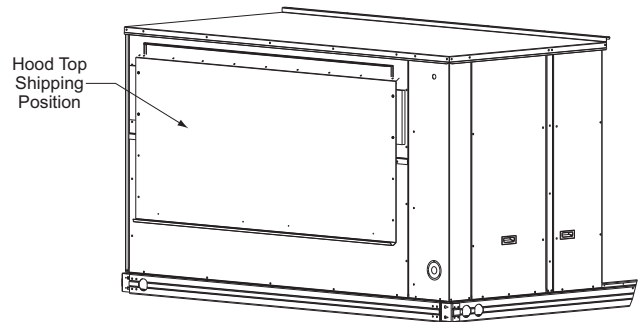
	Supply	Return without Economizer	Return with Economizer
Location	Back	Back	Left end
Height – in. (mm)	$15\frac{7}{8}$ (402)	$49\frac{3}{8}$ (1253)	$18\frac{3}{8}$ (467)
Width – in. (mm)	$29\frac{3}{4}$ (756)	$23\frac{3}{8}$ (593)	$61\frac{5}{8}$ (1564)

**Fig. 11 - Horizontal Duct Opening Dimensions**

Field-supplied ( $\frac{3}{4}$ -inch) flanges should be attached to horizontal duct openings (see Fig. 11) and all ductwork should be secured to the flanges. Insulate and weatherproof all external ductwork, joints, and roof or building openings with counter flashing and mastic in accordance with applicable codes.

## Step 8 — Install Outside Air Hood — Factory Option

The outside air hood for factory-option economizer and two-position damper is shipped in knock-down form and requires field assembly. The panel for the hood top is shipped on the end of the unit (see Fig. 12). The remaining parts for the hood assembly (including side panels, filters and tracks) are shipped in a carton that is secured to the rear of the blower assembly. Access the carton location through rear panel (see Fig. 13).



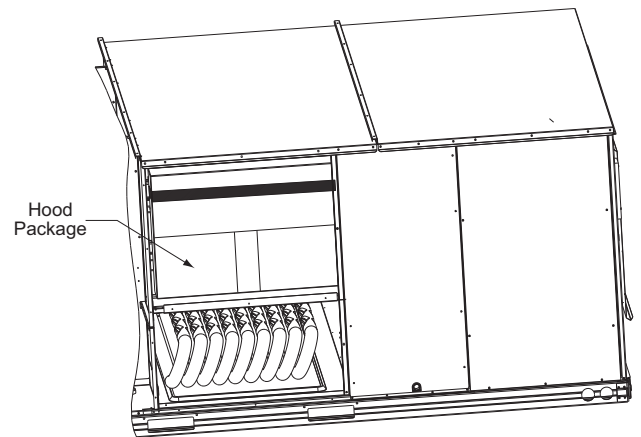
C09134

**Fig. 12 - Hood Top – Shipping Position**

### To remove the hood parts package:

1. Remove the back blower access panel.
2. Locate and cut the strap, being careful to not damage any wiring.
3. Carefully lift the hood package carton through the back blower access opening.

See Fig. 14 for identification of the various parts of the hood assembly.

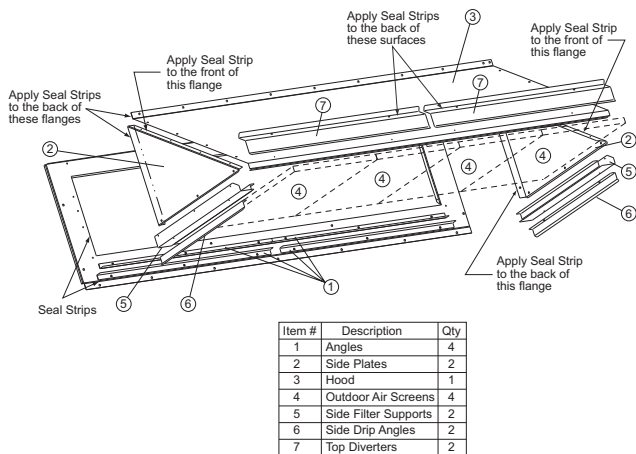


C09133

**Fig. 13 - Hood Package – Shipping Location**

### To assemble the outside air hood:

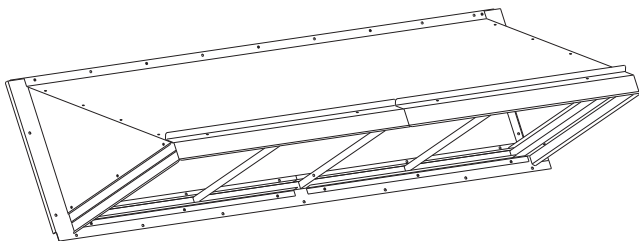
1. Remove hood top panel from shipping position on unit end.
2. Install four angles to the upper end panel using the screws provided.
3. Apply seal strip to mating flanges on the side plates of the hood (see Fig. 14).



**Fig. 14 - Hood Part Identification and Seal Strip Application Areas**

C09079

4. Secure side plates to panel using the screws provided.
5. Apply seal strip to mating flange of the hood (see Fig. 14).
6. Secure top flange using screws provided in kit.
7. Install outdoor air screens by sliding them into the channel formed by the four angles installed in step 2. Make sure that the screens extend across the entire length of the hood.
8. Install side filter supports using the screws provided.
9. Install side drip angles using the screws provided.
10. Run a continuous length of seal strip across the hood covering the engagement holes in the lower hood.
11. Install top diverter using the screws provided.
12. On units with barometric relief, remove screws at bottom of relief damper. **Do not discard damper door.**



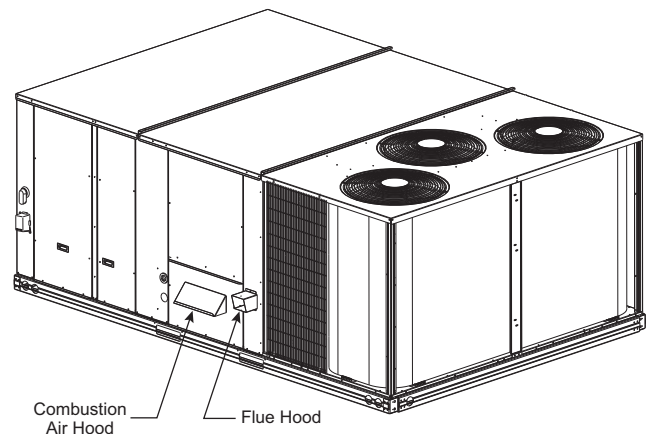
**Fig. 15 - Hood Assembly – Completed**

C09090

### Step 9 — Install Flue Hood and Combustion Air Hood

The flue hood is shipped screwed to the fan deck inside the burner compartment. Remove the burner access panel and then remove the flue hood from its shipping location. Using the screws provided, install flue hood in the location shown in Fig. 16.

The combustion air hood is attached to the back of the burner access panel. Remove the two screws securing the hood to the back of the burner access panel. Using the two screws, re-attach the hood to the front of the burner access panel as shown in Fig. 16.



**Fig. 16 - Flue Hood and Combustion Air Hood Details**

C10744

### Step 10 — Install Gas Piping

Installation of the gas piping must be in accordance with local building codes and with applicable national codes. In U.S.A., refer to NFPA 54/ANSI Z223.1 National Fuel Gas Code (NFGC). In Canada, installation must be in accordance with the CAN/CSA B149.1 and CAN/CSA B149.2 installation codes for gas burning appliances.

This unit is factory equipped for use with Natural Gas fuel at elevations up to 2000 ft (610 m) above sea level. Unit may be field converted for operation at elevations above 2000 ft (610 m) and/or for use with liquefied petroleum fuel. See accessory kit installation instructions regarding these accessories.

**NOTE:** Furnace gas input rate on rating plate is for installation up to 2000 ft (610 m) above sea level. In U.S.A. the input rating for altitudes above 2000 ft (610 m) must be derated by 4% for each 1000 ft (305 m) above sea level. In Canada the input rating must be derated by 10% for altitudes of 2000 ft (610 m) to 4500 ft (1372 m) above sea level.

*For natural gas applications, gas pressure at unit gas connection must not be less than 5 in. wg (1246 Pa) or greater than 13 in. wg (3240 Pa) while the unit is operating. For liquefied petroleum applications, the gas pressure must not be less than 11 in. wg (2740 Pa) or greater than 13 in. wg (3240 Pa) at the unit connection.*

### Gas Supply Line —

The gas supply pipe enters the unit adjacent to the burner access panel on the front side of the unit, through the grommetted hole. The gas connection to the unit is made to the  $\frac{3}{4}$  in. FPT gas inlet port on the unit gas valve.

Table 2 lists typical  $\frac{3}{4}$  inch NPT (National Pipe Thread) field supplied pipe fittings required for Thru-Base gas supply, starting from the unit gas valve (see Fig. 17).



**Table 2 – Typical 3/4-in NPT Field Supplied Piping Parts**

Item	Qty	CPN	Description
1	1	CA15RA201	90 Deg Street Elbow
2	1	CA01CA226	5 Inch Long Nipple
3	1	CA85RA201	Ground–Joint Union
4	1	CA01CA218	3 Inch Long Nipple
5	1	CA05RA201	90 Deg Elbow
6	1	CA01CA250	12 Inch Long Nipple
7	1	CA05RA201	90 Deg Elbow
8	1	CA01CA218	3 Inch Long Nipple
9	1	CA20RA201	TEE
10	1	CA01CN222	4 Inch Long Nipple (Sediment Trap)
11	1	CA38RA201	Cap
12	1	CA01CA220	3 1/2 Inch Long Nipple
13	1	GB30	NIBCO® Ball Valve
14	1	CA01CA238	8 Inch Long Nipple
15	1	CA05RA201	90 Deg Elbow

Pipe gas supply into 90 degree elbow item 15 (see Table 2) through the hole in the unit basepan.

For typical 3/4 inch NPT field supplied fittings required for NON Thru-Base gas supply starting from the unit gas valve, omit items 14 and 15 from Table 2 and pipe gas supply into TEE. See Fig. 18.

**Table 3 – Natural Gas Supply Line Pressure Ranges**

UNIT MODEL	UNIT SIZE	MIN	MAX
48HC**	17, 20, 24, 28	5.0 in. wg (1246 Pa)	13.0 in. wg (3240 Pa)

## ⚠ CAUTION

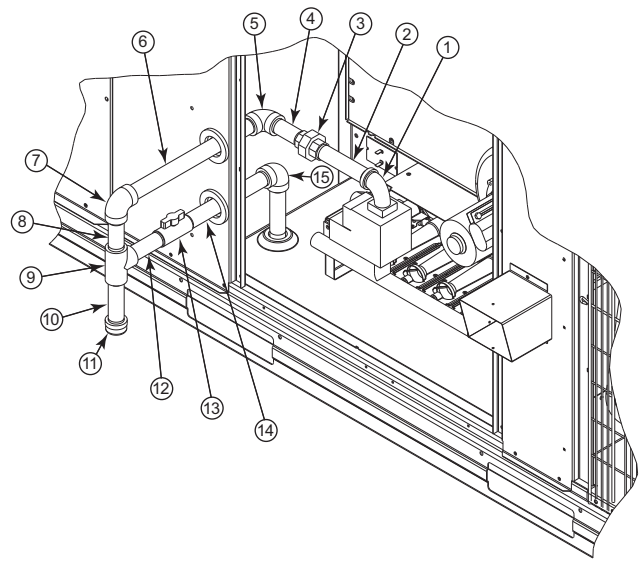
### EQUIPMENT DAMAGE HAZARD

Failure to follow this caution may result in damage to equipment.

When connecting the gas line to the unit gas valve, the installer **MUST** use a backup wrench to prevent damage to the valve.

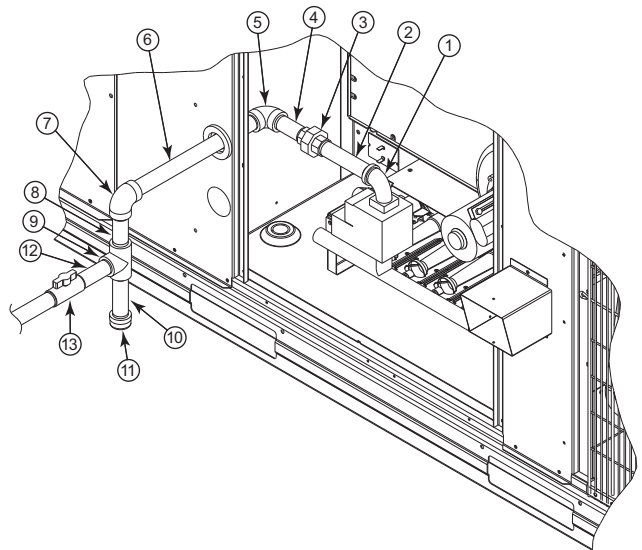
Install a gas supply line that runs to the unit heating section. Refer to the NFPA 54/NFPA or equivalent code for gas pipe sizing data. Do not use a pipe smaller than the size specified. Size the gas supply line to allow for a maximum pressure drop of 0.5-in wg (124 Pa) between gas regulator source and unit gas valve connection when unit is operating at high-fire flow rate.

The gas supply line can approach the unit in two ways: horizontally from outside the unit (across the roof), or through unit basepan. Observe clearance to gas line components per Fig. 19.



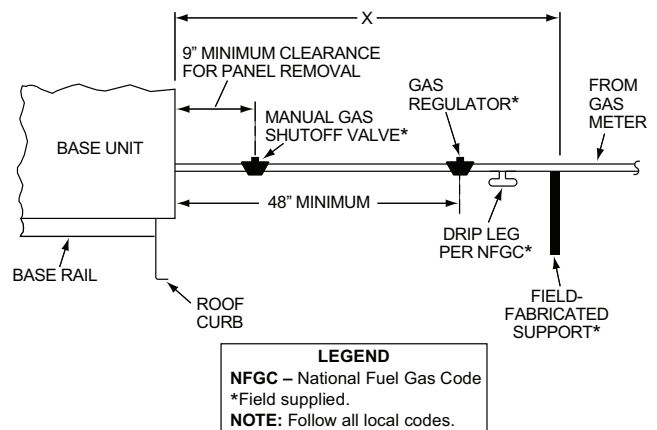
**Fig. 17 - Gas Supply Line Piping with Thru-Base**

C10999



**Fig. 18 - Gas Supply Line Piping**

C101006



STEEL PIPE NOMINAL DIAMETER (in.)	SPACING OF SUPPORTS X DIMENSION (ft)
1/2	6
3/4 or 1	8
1 1/4 or larger	10

**Fig. 19 - Gas Piping Guide**

C11121

## Factory-Option Thru-Base Connections —

**Electrical Connections:** Knockouts are located in the control box area. Remove the appropriate size knockout for high voltage connection. Use the field supplied connector depending on wiring or conduit being utilized. Remove the  $\frac{7}{8}$ -in (22mm) knockout and appropriate connector for low voltage wiring. If non-unit powered convenience outlet is being utilized, remove the  $\frac{7}{8}$ -in (22mm) knockout and utilize appropriate connector for 115 volt line. See “Step 12 — Making Electrical Connections” for details.

**Gas Connections:** Remove the knockout in the base pan and route  $\frac{3}{4}$ -in. gas line up through the opening. Install an elbow and route gas line through opening in panel after first removing plastic bushing. Install a gas shut off followed by a drip leg and ground-joint union. Route gas line into gas section through the grommet (Part #: KA56SL112) at the gas inlet and into the gas valve. See Fig. 17 and Table 2. If a regulator is installed, it must be located 4 feet (1.22 meters) from the flue outlet.

Some municipal codes require that the manual shutoff valve be located upstream of the sediment trap. See Fig. 18 for typical piping arrangements for gas piping that has been routed through the sidewall of the base pan.

When installing the gas supply line, observe local codes pertaining to gas pipe installations. Refer to the NFPA 54/ANSI Z223.1 NFGC latest edition (in Canada, CAN/CSA B149.1). In the absence of local building codes, adhere to the following pertinent recommendations:

1. Avoid low spots in long runs of pipe. Grade all pipe  $\frac{1}{4}$ -in. in every 15 ft (7 mm in every 5 m) to prevent traps. Grade all horizontal runs downward to risers. Use risers to connect to heating section and to meter.
2. Protect all segments of piping system against physical and thermal damage. Support all piping with appropriate straps, hangers, etc. Use a minimum of one hanger every 6 ft (1.8 m). For pipe sizes larger than  $\frac{1}{2}$ -in., follow recommendations of national codes.
3. Apply joint compound (pipe dope) sparingly and only to male threads of joint when making pipe connections. Use only pipe dope that is resistant to action of liquefied petroleum gases as specified by local and/or national codes. If using PTFE (Teflon) tape, ensure the material is Double Density type and is labeled for use on gas lines. Apply tape per manufacturer’s instructions.
4. Pressure-test all gas piping in accordance with local and national plumbing and gas codes before connecting piping to unit.

**NOTE:** Pressure test the gas supply system after the gas supply piping is connected to the gas valve. The supply piping must be disconnected from the gas valve during the testing of the piping systems when test pressure is in excess of 0.5 psig (3450 Pa). Pressure test the gas supply piping system at pressures equal to or less than 0.5 psig (3450 Pa). The unit heating section must be isolated from the gas piping system by closing the external main manual shutoff valve and slightly opening the ground-joint union.

Check for gas leaks at the field-installed and factory-installed gas lines after all piping connections have been completed. Use soap-and-water solution (or method specified by local codes and/or regulations).

## ⚠ WARNING

### FIRE OR EXPLOSION HAZARD

Failure to follow this warning could result in personal injury, death and/or property damage.

- Connect gas pipe to unit using a backup wrench to avoid damaging gas controls.
- Never purge a gas line into a combustion chamber.
- Never test for gas leaks with an open flame. Use a commercially available soap solution made specifically for the detection of leaks to check all connections.
- Use proper length of pipe to avoid stress on gas control manifold.

**NOTE:** If orifice hole appears damaged or it is suspected to have been redrilled, check orifice hole with a numbered drill bit of correct size. Never redrill an orifice. A burr-free and squarely aligned orifice hole is essential for proper flame characteristics.

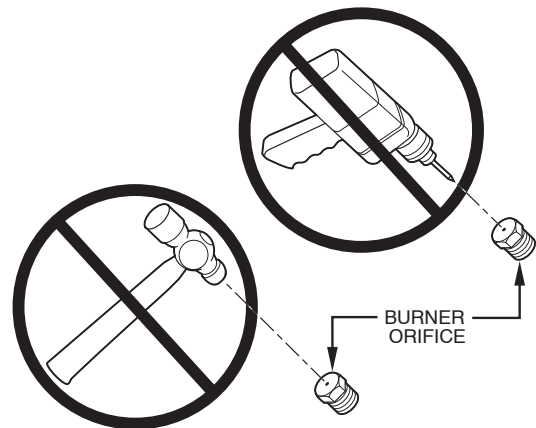
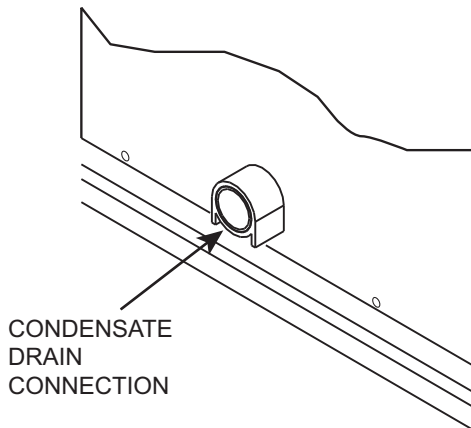


Fig. 20 - Orifice Hole

A93059

## Step 11 — Install External Condensate Trap and Line

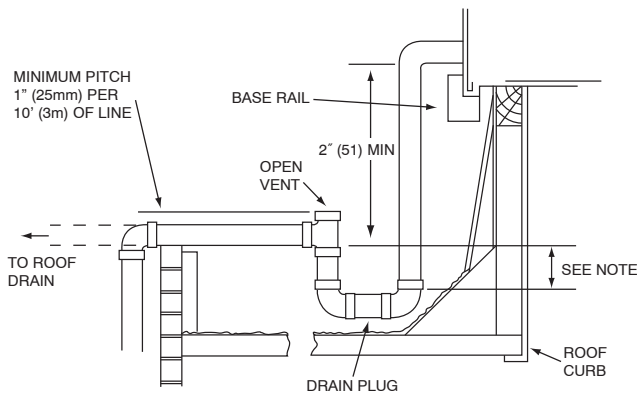
The unit has one  $\frac{3}{4}$ -in. condensate drain connection on the end of the condensate pan (see Fig. 21). See Figs. 1, 2 and 3, item “E”, in the view labeled “BACK (HORIZONTAL DISCHARGE)” for the location of the condensate drain connection.



C10729

**Fig. 21 - Condensate Drain Pan Connection**

The piping for the condensate drain and external trap can be completed after the unit is in place. Hand tighten fittings to the drain pan fitting. Provide adequate support for the drain line. Failure to do so can result in damage to the drain pan. See Fig. 22.



NOTE: Trap should be deep enough to offset maximum unit static difference. A 4" (102) trap is recommended

C08022

**Fig. 22 - Condensate Drain Piping Details**

All units must have an external trap for condensate drainage. Install a trap at least 4-in. (102 mm) deep and protect against freeze-up. If drain line is installed downstream from the external trap, pitch the line away from the unit at 1-in. per 10 ft (25 mm in 3 m) of run. Do not use a pipe size smaller than the unit connection ( $\frac{3}{4}$ -in.).

## Step 12 — Make Electrical Connections

### ⚠ WARNING

#### ELECTRICAL SHOCK HAZARD

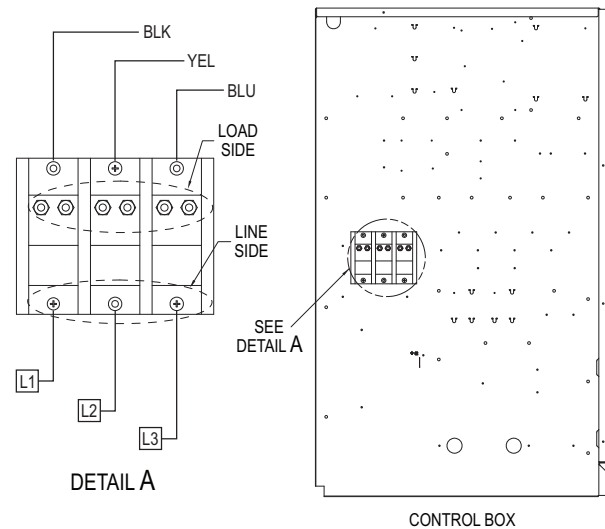
Failure to follow this warning could result in personal injury or death.

*Do not use gas piping as an electrical ground.* Unit cabinet must have an uninterrupted, unbroken electrical ground to minimize the possibility of personal injury if an electrical fault should occur. This ground may consist of electrical wire connected to unit ground lug in control compartment, or conduit approved for electrical ground when installed in accordance with NEC (National Electrical Code); ANSI/NFPA 70, latest edition (in Canada, Canadian Electrical Code CSA [Canadian Standards Association] C22.1), and local electrical codes.

**NOTE:** Field-supplied wiring shall conform with the limitations of minimum 63°F (33°C) rise.

#### Field Power Supply —

If equipped with optional Powered Convenience Outlet: The power source leads to the convenience outlet's transformer primary are not factory connected. Installer must connect these leads according to required operation of the convenience outlet. If an always-energized convenience outlet operation is desired, connect the source leads to the line side of the unit-mounted disconnect. (Check with local codes to ensure this method is acceptable in your area.) On a unit without a unit-mounted disconnect, connect the source leads to the line side with unit field power leads. See Fig. 23.



C11181

**Fig. 23 - Location of TB1**

Field power wires are connected to the unit at line-side pressure lugs on the terminal block (see wiring diagram label for control box component arrangement) or at factory-installed option non-fused disconnect switch. Use copper conductors only.

**NOTE:** Make field power connections directly to line connection pressure lugs only.

**⚠ WARNING**

**FIRE HAZARD**

Failure to follow this warning could result in intermittent operation or unsatisfactory performance.

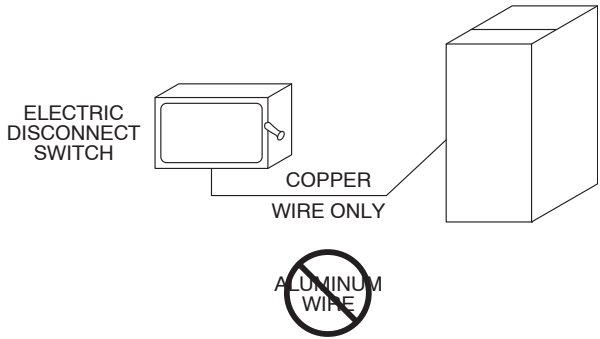
Do not connect aluminum wire between disconnect switch and air conditioning unit. Use only copper wire. (See Fig. 24.)

**⚠ CAUTION**

**UNIT DAMAGE HAZARD**

Failure to follow this caution may result in equipment damage.

Operation on improper line voltage or excessive phase imbalance constitutes abuse and may cause damage to electrical components. Such operation would invalidate any applicable Carrier warranty.



**Fig. 24 - Disconnect Switch and Unit**

A93033

**Units without Factory-Installed Disconnect —**

When installing units, provide a disconnect switch per NEC (National Electrical Code) of adequate size. Disconnect sizing data is provided on the unit informative plate. Locate on unit cabinet or within sight of the unit per national or local codes. Do not cover unit informative plate if mounting the disconnect on the unit cabinet.

**Units with Factory-Installed Disconnect —**

The factory-installed option disconnect switch is located in the main control box. The manual switch handle is accessible on the corner post adjacent to the control box access panel.

**All Units -**

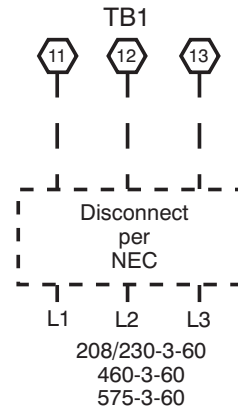
All field wiring must comply with NEC and all local code requirements.

Size wire based on MCA (Minimum Circuit Amps) on the unit informative plate. See Fig. 25 for power wiring connections to the unit power terminal block and equipment ground. Maximum wire size is 2/0 AWG per pole.

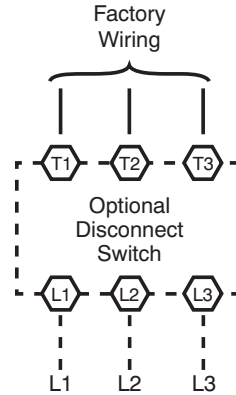
Provide a ground-fault and short-circuit over-current protection device (fuse or breaker) per NEC Article 440 (or local codes). Refer to unit informative data plate for MOCP (Maximum Over-current Protection) device size.

Voltage to compressor terminals during operation must be within voltage range indicated on unit nameplate. See Table 11. On 3-phase units, voltages between phases must be balanced within 2% and the current within 10%. Use the formula shown in the legend for Table 11 (see Note 2 on page 49) to determine the percent of voltage imbalance.

**Units Without Disconnect Option**



**Units With Disconnect Option**



**Fig. 25 - Power Wiring Connections**

C101000

**Convenience Outlets —**

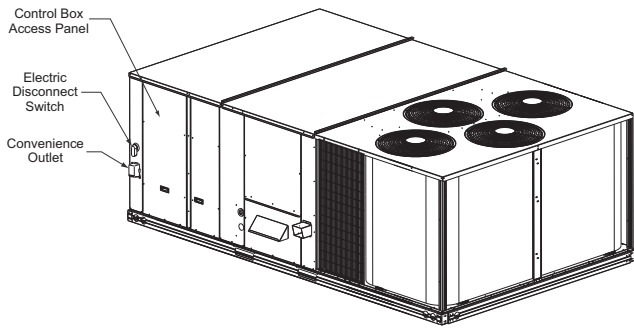
**⚠ WARNING**

**ELECTRICAL OPERATION HAZARD**

Failure to follow this warning could result in personal injury or death.

Units with convenience outlet circuits may use multiple disconnects. Check convenience outlet for power status before opening unit for service. Locate its disconnect switch, if appropriate, and open it. Lock-out and tag-out this switch, if necessary.

Two types of convenience outlets are offered on 48HC models: Non-unit powered and unit-powered. Both types provide a 125-volt GFCI (ground-fault circuit-interrupter) duplex receptacle rated at 15-A behind a hinged access cover, located on the corner panel of the unit. See Fig. 26.



C10641

**Fig. 26 - Convenience Outlet Location**

**Installing Weatherproof Cover:** A weatherproof while-in-use cover for the factory-installed convenience outlets is now required by UL standards. This cover cannot be factory-mounted due to its depth; it must be installed at unit installation. For shipment, the convenience outlet is covered with a blank cover plate.

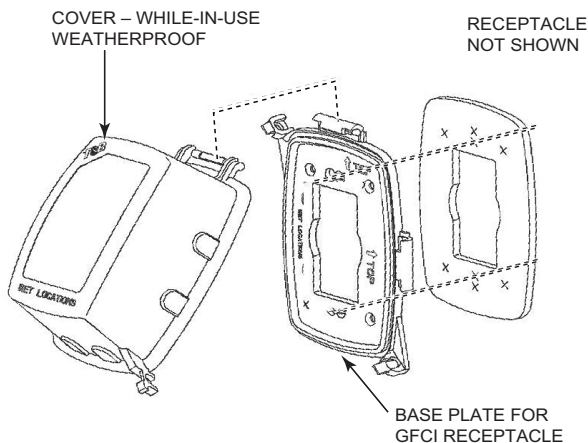
The weatherproof cover kit is shipped in the unit's control box. The kit includes the hinged cover, a backing plate and gasket.

**DISCONNECT ALL POWER TO UNIT AND CONVENIENCE OUTLET. LOCK-OUT AND TAG-OUT ALL POWER.**

Remove the blank cover plate at the convenience outlet; discard the blank cover.

Loosen the two screws at the GFCI duplex outlet, until approximately 1/2-in (13 mm) under screw heads are exposed. Press the gasket over the screw heads. Slip the backing plate over the screw heads at the keyhole slots and align with the gasket; tighten the two screws until snug (do not over-tighten).

Mount the weatherproof cover to the backing plate as shown in Fig. 27. Remove two slot fillers in the bottom of the cover to permit service tool cords to exit the cover. Check for full closing and latching.



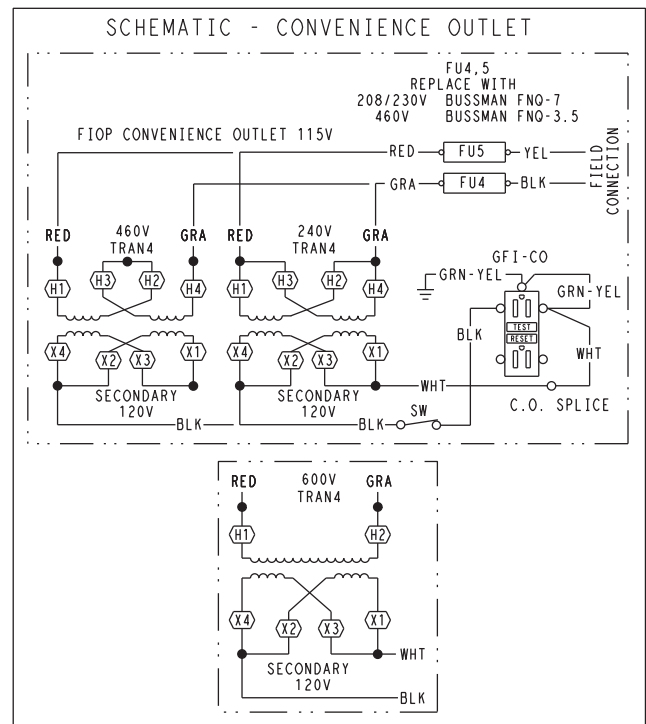
C09022

**Fig. 27 - Weatherproof Cover Installation**

**Non-unit powered type:** This type requires the field installation of a general-purpose 125-volt 15-A circuit powered from a source elsewhere in the building. Observe national and local codes when selecting wire size, fuse or breaker requirements and disconnect switch size and location. Route 125-v power supply conductors into the bottom of the utility box containing the duplex receptacle.

**Unit-powered type:** A unit-mounted transformer is factory-installed to stepdown the main power supply voltage to the unit to 115-v at the duplex receptacle. This option also includes a manual switch with fuse, located in a control box and mounted on a bracket behind the convenience outlet; access is through the unit's control box access panel. See Fig. 26.

The primary leads to the convenience outlet transformer are not factory-connected. If local codes permit, the transformer primary leads can be connected at the line-side terminals on the unit-mounted non-fused disconnect switch; this will provide service power to the unit when the unit disconnect switch is open. See Fig. 28.

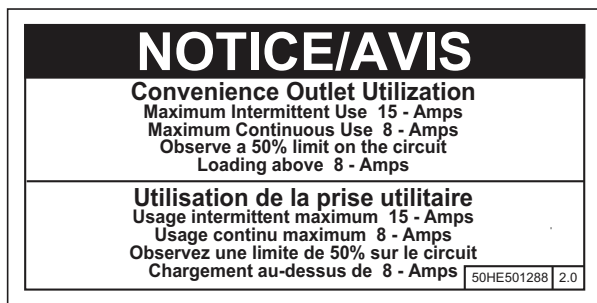


C10730

UNIT VOLTAGE	CONNECT AS	PRIMARY CONNECTIONS	TRANSFORMER TERMINALS
208, 230	240	L1: RED + YEL L2: BLU + GRA	H1 + H3 H2 + H4
460	480	L1: RED Splice BLU + YEL L2: GRA	H1 H2 + H3 H4
575	600	L1: RED L2: GRA	H1 H2

**Fig. 28 - Powered Convenience Outlet Wiring**





C10077

**Fig. 29 - Convenience Outlet Utilization Notice**

Test the GFCI receptacle by pressing the TEST button on the face of the receptacle to trip and open the receptacle. Check for proper grounding wires and power line phasing if the GFCI receptacle does not trip as required. Press the RESET button to clear the tripped condition.

Using unit-mounted convenience outlets: Units with unit-mounted convenience outlet circuits will often require that two disconnects be opened to de-energize all power to the unit. Treat all units as electrically energized until the convenience outlet power is also checked and de-energization is confirmed. Observe National Electrical Code Article 210, Branch Circuits, for use of convenience outlets.

#### **Factory-Option Thru-Base Connections —**

All units are equipped with the ability to bring utilities through the base.

Gas is brought up through an embossed area located in the gas section behind the gas entrance post. Access is gained through the gas access panel. A knock out must be removed to accomplish this.

The electrical entrance is located in the control box area and can be accessed through the control box access panel. An embossed area is provided with three knock outs. High voltage is brought through the multi knock out by removing the appropriate size for the size of the fitting required. A  $\frac{7}{8}$ -in. knock out is provided for low voltage. An additional  $\frac{7}{8}$ -in. knock out is provided for a 115 volt line which is used when the unit is equipped with the non-unit powered convenience outlet option.

All required fittings are field supplied. Install fittings when access to both top and bottom of the base pan is available. See electrical and gas connections for routing and connection information.

#### **Units without Thru-Base Connections —**

1. Install liquid tight conduit between disconnect and control box.
2. Pull correctly rated high voltage wires through the conduit.
3. Install power lines to terminal connections as shown in Fig. 25.

#### **Field Control Wiring —**

The 48HC unit requires an external temperature control device. This device can be a thermostat (field-supplied) or a PremierLink controller (available as factory-installed option or as field-installed accessory, for use on a Carrier Comfort Network or as a stand alone control) or the RTU Open for Building Management Systems using non-CCN protocols (RTU Open is available as a factory-installed option only).

#### **Thermostat —**

Install a Carrier-approved accessory 2-stage thermostat according to installation instructions included with the accessory. Locate the thermostat accessory on a solid wall in the conditioned space to sense average temperature in accordance with the thermostat installation instructions.

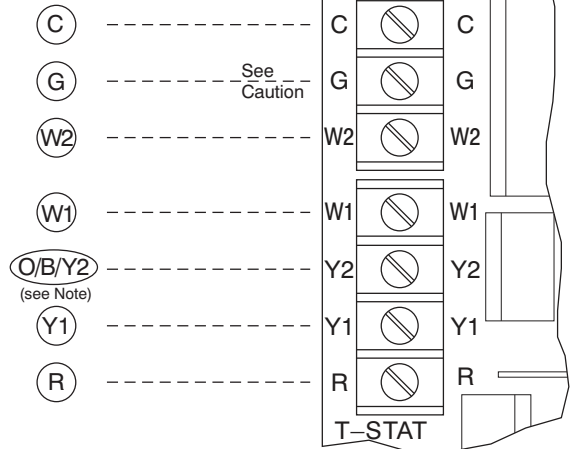
If the thermostat contains a logic circuit requiring 24-v power, use a thermostat cable or equivalent single leads of different colors with minimum of seven leads. If the thermostat does not require a 24-v source (no “C” connection required), use a thermostat cable or equivalent with minimum of six leads. Check the thermostat installation instructions for additional features which might require additional conductors in the cable.

For wire runs up to 50 ft. (15 m), use no. 18 AWG (American Wire Gage) insulated wire (35°C minimum). For 50 to 75 ft. (15 to 23 m), use no. 16 AWG insulated wire (35°C minimum). For over 75 ft. (23 m), use no. 14 AWG insulated wire (35°C minimum). All wire sizes larger than no. 18 AWG cannot be directly connected to the thermostat and will require a junction box and splice at the thermostat.

#### **Unit without Thru-Base Connection Kit —**

Correctly rated low voltage wire can be routed through the rubber grommet located on the corner post adjacent to the control box access panel. Route wire through the grommet and then route the wire behind the corner post utilizing the factory provided wire ties secured to the control box. This will insure separation of the field low voltage wire and the high voltage circuit. Route the low voltage wire to the central terminal board. See Fig. 30.

Typical  
Thermostat  
Corrections



Note: Typical multi-function marking. Follow manufacturer's configuration instructions to select Y2.

--- Field Wiring

**CAUTION**

**UNIT DAMAGE HAZARD**

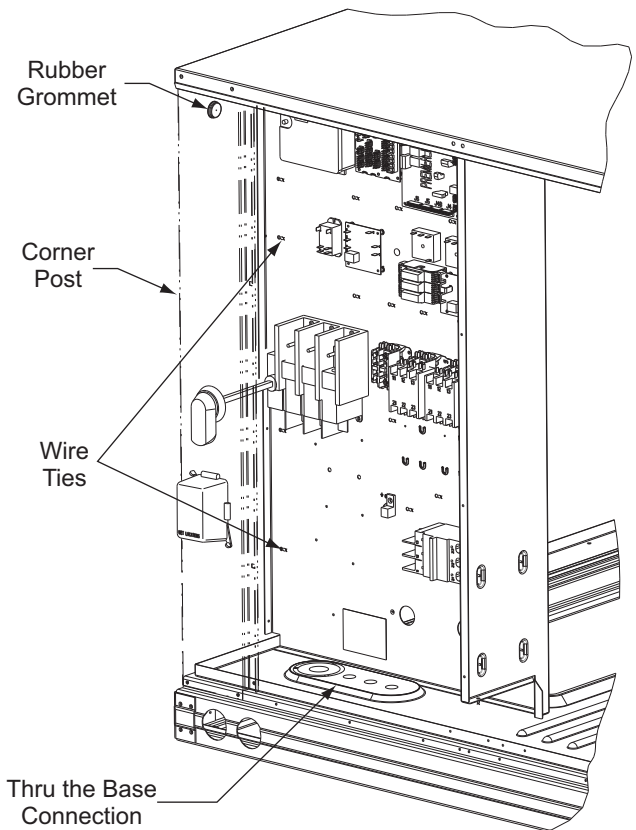
Failure to follow this caution may cause a short circuit.

Carefully check the connection of control conductor for indoor fan control at terminal G. Connecting the indoor fan lead to terminal C will cause a short circuit condition which can cause component damage inside the unit or at thermostat.

C10731

**Fig. 30 - Typical Low-Voltage Control Connections**

**NOTE:** If utilizing the through the base connections, route the low voltage wire through the wire ties to the central terminal board.



C10734

**Fig. 31 - Field Control Wiring Raceway**

**Heat Anticipator Settings —**

Set heat anticipator settings at 0.14 amp for the first stage and 0.14 amp for second-stage heating.

**Transformer Connection for 208-v Power Supply —**

All units except 208/230-v units are factory wired for the voltage shown on the nameplate. *If the 208/230-v unit is to be connected to a 208-v power supply, the control transformer must be rewired by moving the black wire with the 1/4-in. female spade connector from the 230-v connection and moving it to the 208-v 1/4-in. male terminal on the primary side of the transformer. Refer to unit label diagram for additional information.*

## Humidi-MiZer® Control Connections

### Humidi-MiZer – Space RH Controller —

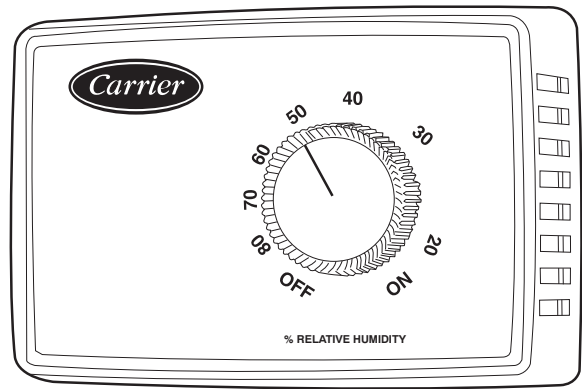
**NOTE:** The Humidi-MiZer is a factory installed option. The Humidi-MiZer dehumidification system requires a field-supplied and -installed space relative humidity control device. This device may be a separate humidistat control (contact closes on rise in space RH above control setpoint) or a combination thermostat-humidistat control device such as Carrier's EDGE® Pro Thermidistat with isolated contact set for dehumidification control. The humidistat is normally used in applications where a temperature control is already provided (units with PremierLink™ control).

#### To connect the Carrier humidistat (HL38MG029):

1. Route the humidistat 2-conductor cable (field-supplied) through the hole provided in the unit corner post.
2. Feed wires through the raceway built into the corner post (see Fig. 31) to the 24-v barrier located on the left side of the control box. The raceway provides the UL-required clearance between high-voltage and low-voltage wiring.
3. Use wire nuts to connect humidistat cable to two PINK leads in the low-voltage wiring as shown in Fig. 34.

#### To connect the Thermidistat device (33CS2PPRH-01):

1. Route the Thermidistat multi-conductor thermostat cable (field-supplied) through the hole provided in the unit corner post.
2. Feed wires through the raceway built into the corner post (see Fig. 31) to the 24-v barrier located on the left side of the control box. The raceway provides the UL-required clearance between high-voltage and low-voltage wiring.
3. The Thermidistat has dry contacts at terminals D1 and D2 for dehumidification operation (see Fig. 35). The dry contacts must be wired between CTB terminal R and the PINK lead to the LTLO switch with field-supplied wire nuts. Refer to the installation instructions included with the Carrier Edge Thermidistat device (Form 33CS-65SI or latest) for more information.



C09295

Fig. 32 - Accessory Field-Installed Humidistat



C09296

Fig. 33 - EDGE Pro Thermidistat



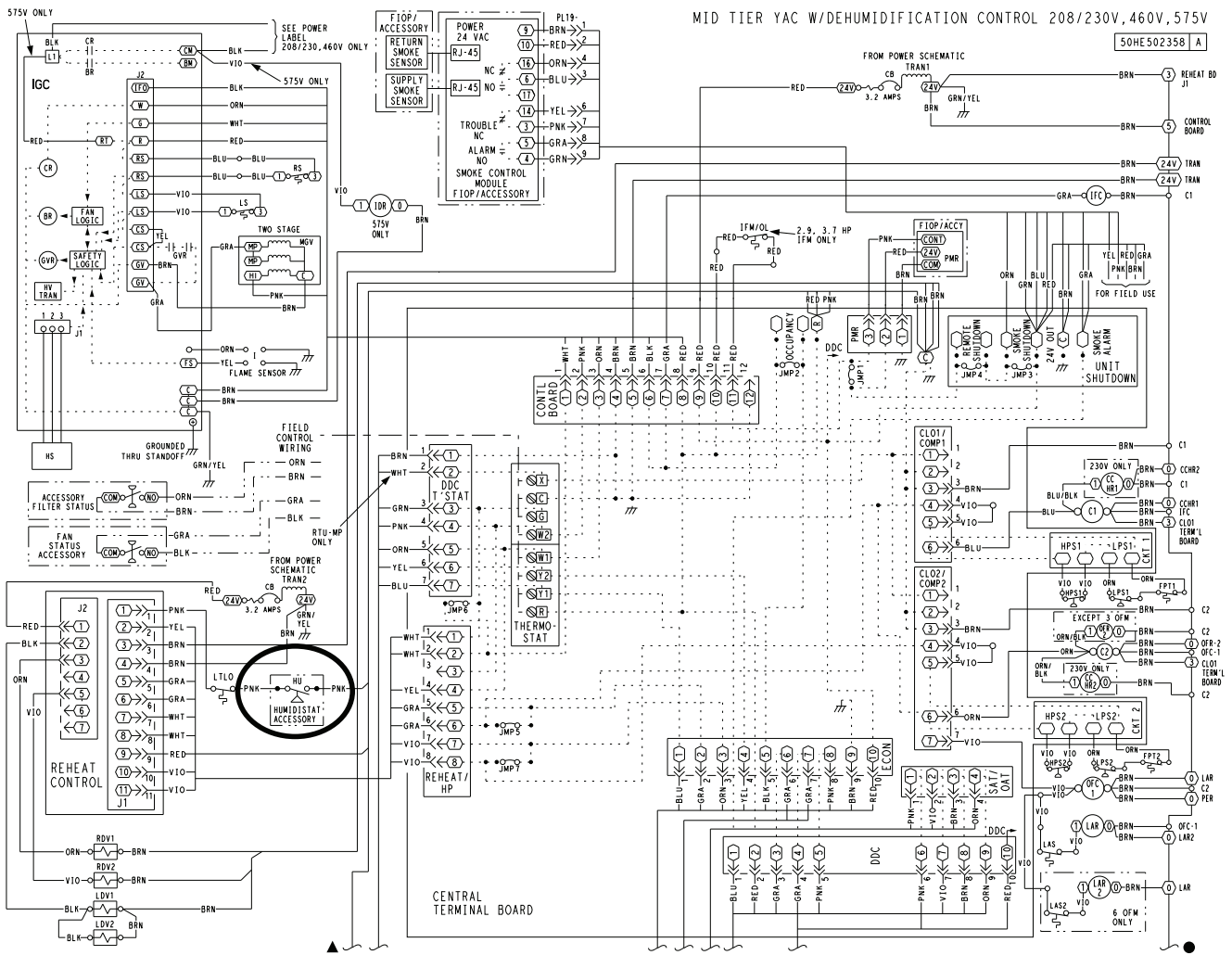
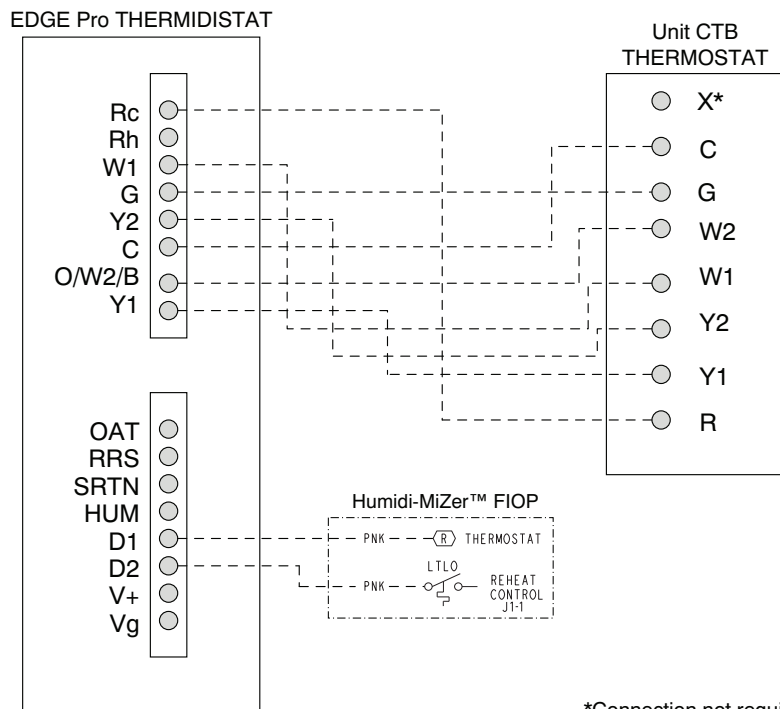


Fig. 34 - Typical Humidi-MiZer<sup>®</sup> Adaptive Dehumidification System Humidistat Wiring



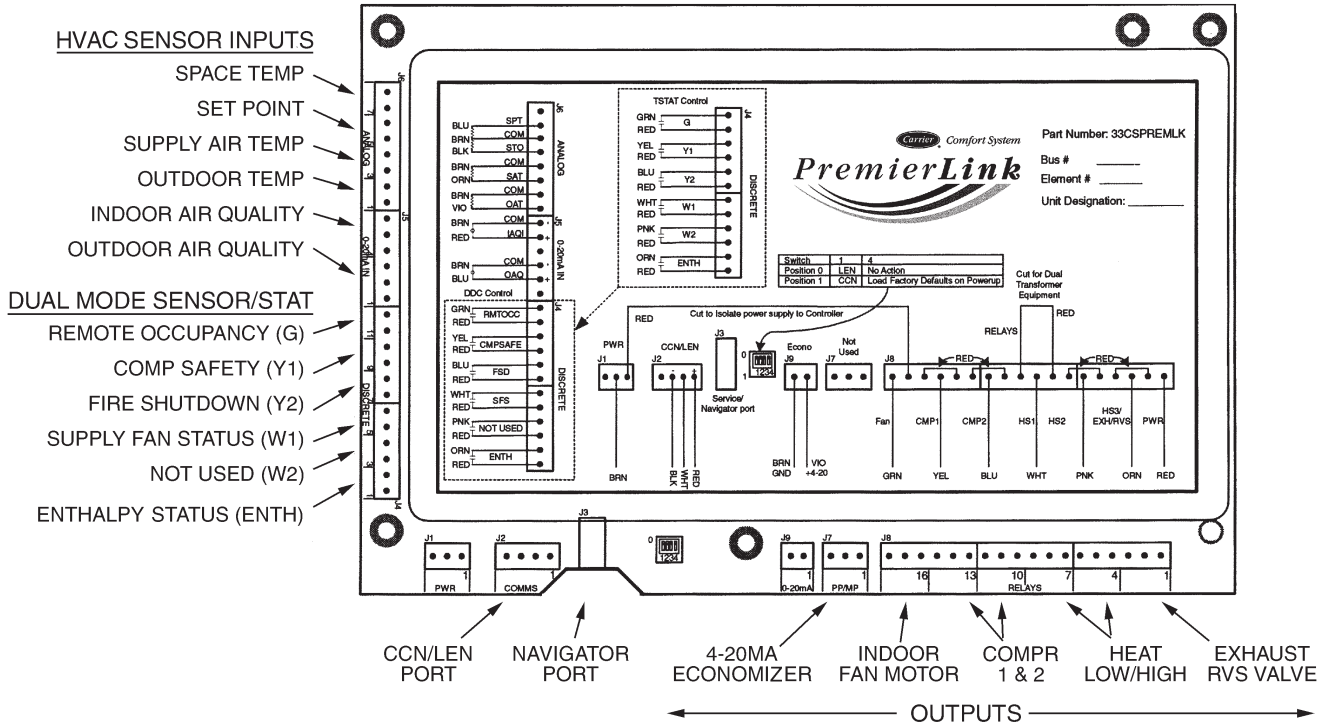
\*Connection not required.

Fig. 35 - Typical Rooftop Unit with Humidi-MiZer Adaptive Dehumidification System with EDGE Pro Thermidistat Device

48HC

**PremierLink™ (Factory-Option)**

48HC



**Fig. 36 - PremierLink Controller**

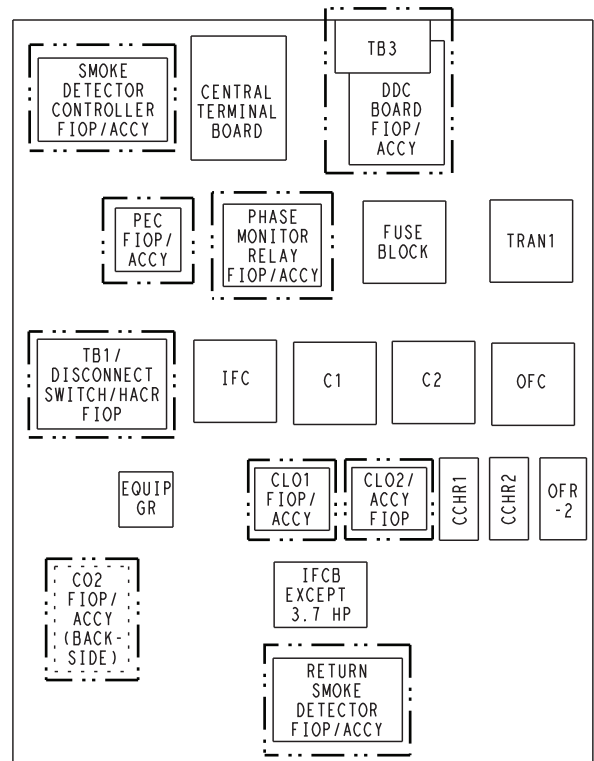
C08199

The PremierLink controller (see Fig. 36) is compatible with Carrier Comfort Network® (CCN) devices. This control is designed to allow users the access and ability to change factory-defined settings, thus expanding the function of the standard unit control board. CCN service access tools include System Pilot™, Touch Pilot™ and Service Tool. (Standard tier display tools Navigator™ and Scrolling Marquee are not suitable for use with latest PremierLink controller (Version 2.x).)

The PremierLink control is factory-mounted in the 48HC unit's main control box to the right of the Central Terminal Board (CTB) (see Fig. 37). Factory wiring is completed through harnesses connected to the CTB thermostat. Field connections are made at a 16-pole terminal block (TB3) located at the top of the unit control box in front of the PremierLink controller. The factory-installed PremierLink control includes the supply-air temperature (SAT) sensor. The outdoor air temperature (OAT) sensor is included in the FIOP/accessory EconoMiSer™ 2 package. (See page 45 for accessory enthalpy controls.)

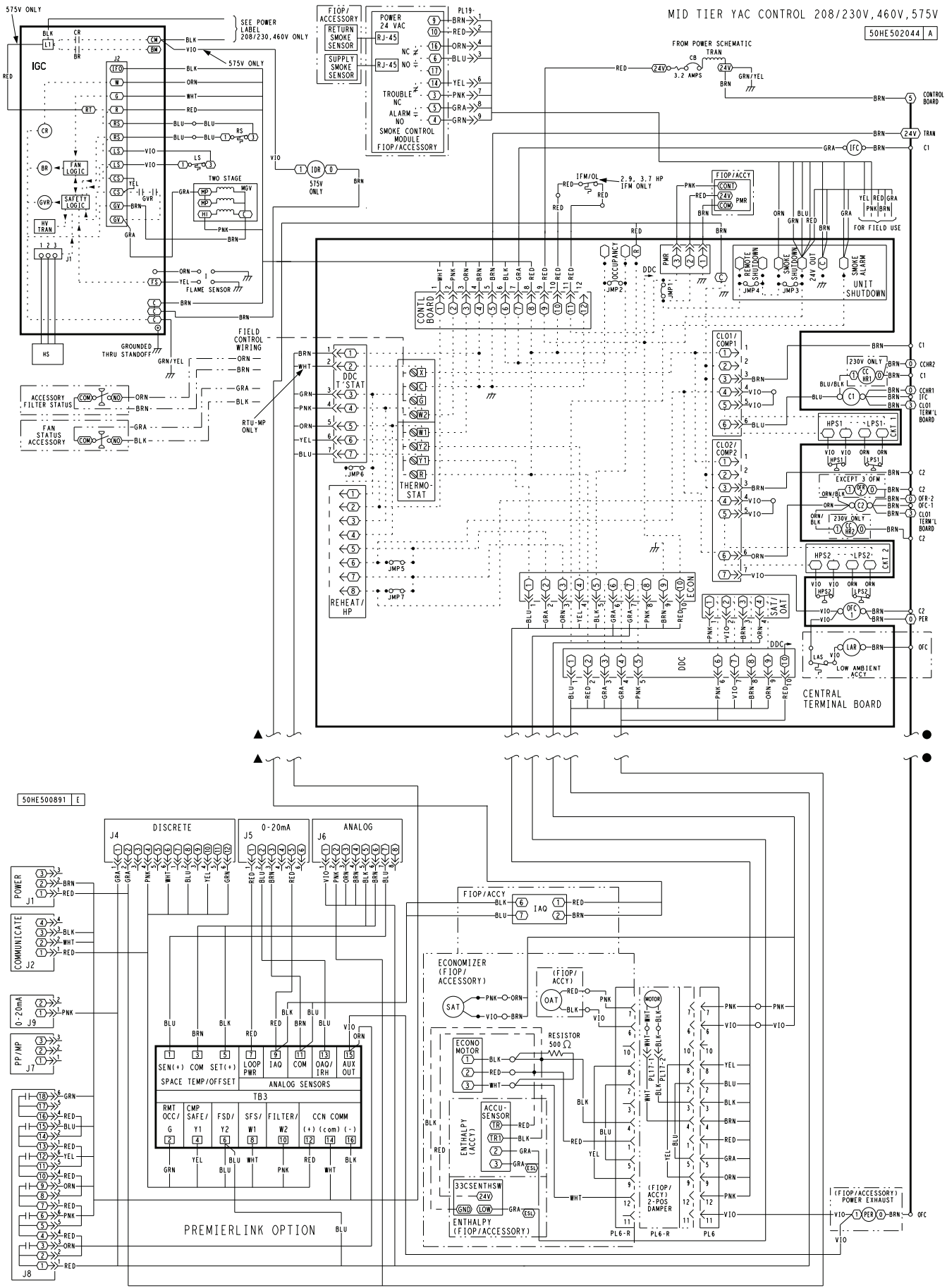
The PremierLink controller requires the use of a Carrier electronic thermostat or a CCN connection for time broadcast to initiate its internal timeclock. This is necessary for broadcast of time of day functions (occupied/unoccupied).

**NOTE:** PremierLink controller is shipped in Sensor mode. To be used with a thermostat, the PremierLink controller must be configured to Thermostat mode. Refer to PremierLink Configuration instructions for Operating Mode.



**Fig. 37 - 48HC Control Box Component Locations**

C10643



48HC

Fig. 38 - PremierLink Wiring Schematic

48HC

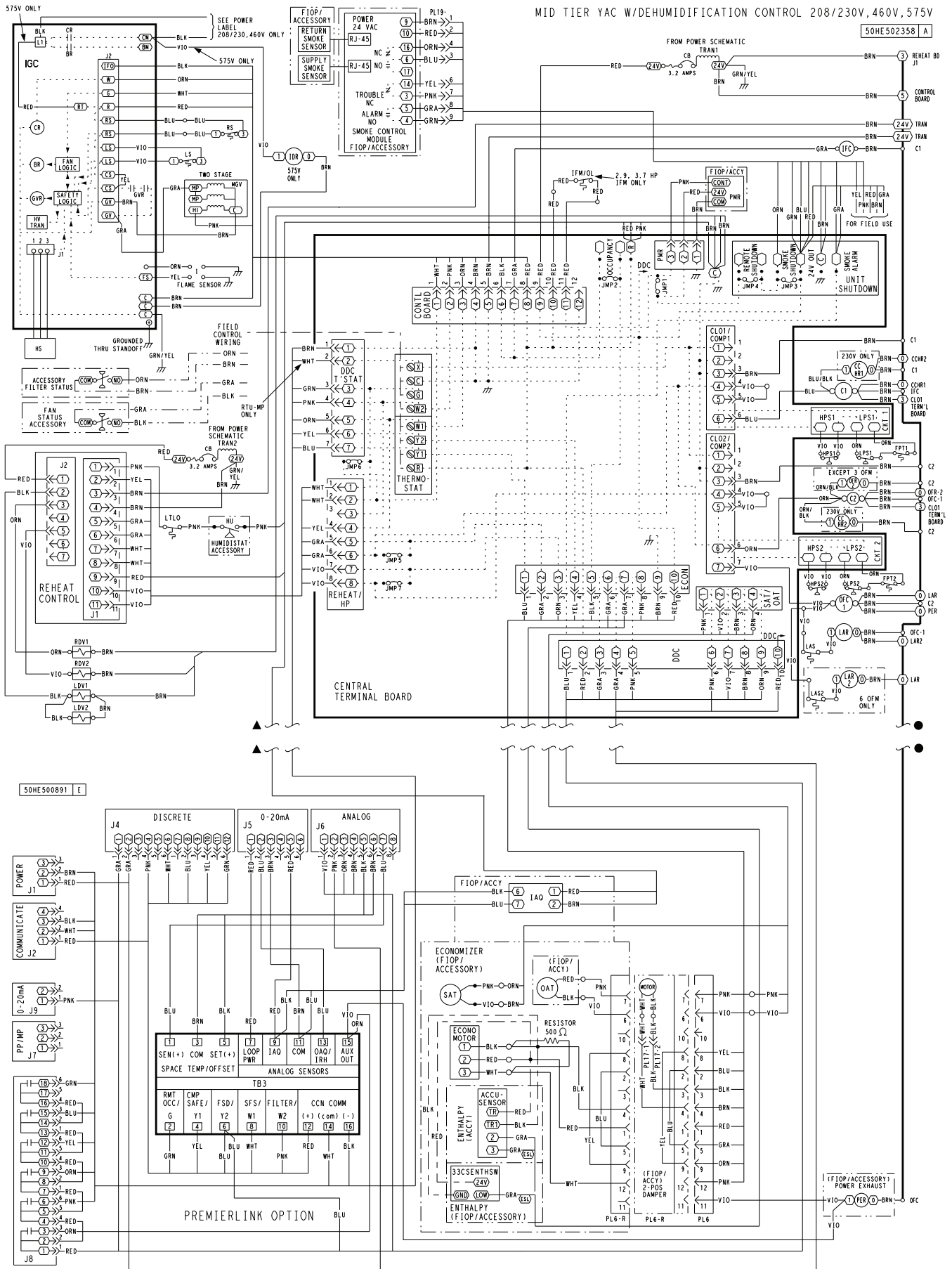


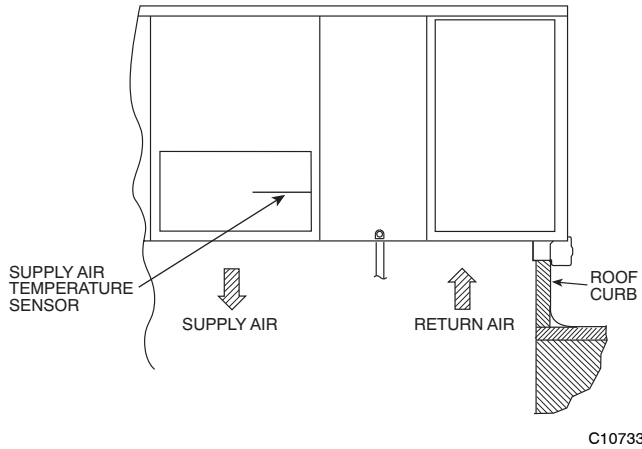
Fig. 39 - PremierLink Wiring Schematic with Humidi-MiZer®

C11141

**Supply Air Temperature (SAT) Sensor —**

On FIOF-equipped 48HC unit, the unit is supplied with a supply-air temperature (SAT) sensor (33ZCSENSAT). This sensor is a tubular probe type, approx 6-inches (12.7 mm) in length. It is a nominal 10-k ohm thermistor.

The SAT is factory-wired. The SAT probe is mounted in the fan deck (see Fig. 40). It can be removed or remounted per local codes.. Drill or punch a 1/2-in. hole in the flange or duct. Use two field-supplied, self-drilling screws to secure the sensor probe in a horizontal orientation. Insure that the sensor wires do not contact the hot surface of the heat exchanger.



**Fig. 40 - Mounting Location for Supply Air Temperature (SAT) Sensor on 48HC Units**

**NOTE:** Refer to Form 33CS-67SI for complete PremierLink configuration, operating sequences and troubleshooting information. Have a copy of this manual available at unit start-up.

**NOTE:** The sensor must be mounted in the discharge airstream downstream of the cooling coil and any heating devices. Be sure the probe tip does not come in contact with any of the unit’s heater surfaces.

**Outdoor Air Temperature (OAT) Sensor —**

The OAT is factory-mounted in the EconoMi\$er2 (FIOF or accessory). It is a nominal 10k ohm thermistor attached to an eyelet mounting ring.

**EconoMi\$er2 —**

The PremierLink control is used with EconoMi\$er2 (option or accessory) for outdoor air management. The damper position is controlled directly by the PremierLink control; EconoMi\$er2 has no internal logic device.

Outdoor air management functions can be enhanced with field-installation of these accessory control devices:

- Enthalpy control (outdoor air or differential sensors)
- Space CO<sub>2</sub> sensor
- Outdoor air CO<sub>2</sub> sensor

Refer to Table 4 for accessory part numbers.

**Field Connections**

Field connections for accessory sensor and input devices are made at the 16-pole terminal block (TB3, see Fig. 38 and Fig. 39) located on the control box top shelf in front of the PremierLink control. Some input devices also require a 24-vac signal source; connect at CTB terminal R at “THERMOSTAT” connection strip for this signal source. See connections figures on following pages for field connection locations (and for continued connections at the PremierLink board inputs).

Table 5 provides a summary of field connections for units equipped with Space Sensor. Table 6 provides a summary of field connections for units equipped with Space Thermostat.

**Table 4 – PremierLink Sensor Usage**

APPLICATION	OUTDOOR AIR TEMPERATURE SENSOR	RETURN AIR TEMPERATURE SENSOR	OUTDOOR AIR ENTHALPY SENSOR	RETURN AIR ENTHALPY SENSOR
Differential Dry Bulb Temperature with PremierLink (PremierLink requires 4–20 mA Actuator)	Included – CRTEMPN001A00	Required – 33ZCT55SPT or equivalent	–	–
Single Enthalpy with PremierLink (PremierLink requires 4–20mA Actuator)	Included – Not Used	–	Requires – 33CSENTHSW	–
Differential Enthalpy with PremierLink (PremierLink requires 4–20mA Actuator)	Included – Not Used	–	Requires – 33CSENTHSW or equivalent	Requires – 33CSENTSEN or equivalent

**NOTES:**

CO<sub>2</sub> Sensors (Optional):

- 33ZCSENCO2 – Room sensor (adjustable). Aspirator box is required for duct mounting of the sensor.
- 33ZCASPCO2 – Aspirator box used for duct-mounted CO<sub>2</sub> room sensor.
- 33ZCT55CO2 – Space temperature and CO<sub>2</sub> room sensor with override.
- 33ZCT56CO2 – Space temperature and CO<sub>2</sub> room sensor with override and setpoint.

**Table 5 – Space Sensor Mode**

TB3 TERMINAL	FIELD CONNECTION	INPUT SIGNAL
1	T55 – SEN/T56 – SEN	Analog (10k thermistor)
2	RMT OCC	Discrete, 24VAC
3	T55 – SEN/T56 – SEN	Analog (10k thermistor)
4	CMPSAFE	Discrete, 24VAC
5	T56 – SET	Analog (10k thermistor)
6	FSD	Discrete, 24VAC
7	LOOP – PWR	Analog, 24VDC
8	SPS	Discrete, 24VAC
9	IAQ – SEN	Analog, 4 – 20mA
10	FILTER	Discrete, 24VAC
11	IAQ – COM/OAQ – COM/RH – COM	Analog, 4 – 20mA
12	CCN + (RED)	Digital, , 5VDC
13	OAQ – SEN/RH – SEN	Analog, 4 – 20mA
14	CCN Gnd (WHT)	Digital, 5VDC
15	AUX OUT (Power Exhaust)	(Output) Discrete 24VAC
16	CCN – (BLK)	Digital, 5VDC

**LEGEND:**

- T55 – Space Temperature Sensor
- T56 – Space Temperature Sensor
- CCN – Carrier Comfort Network (communication bus)
- CMPSAFE – Compressor Safety
- FILTER – Dirty Filter Switch
- FSD – Fire Shutdown
- IAQ – Indoor Air Quality (CO<sub>2</sub>)
- OAQ – Outdoor Air Quality (CO<sub>2</sub>)
- RH – Relative Humidity
- SFS – Supply Fan Status

**Table 6 – Thermostat Mode**

TB3 TERMINAL	FIELD CONNECTION	INPUT SIGNAL
1	RAT SEN	Analog (10k thermistor)
2	G	Discrete, 24VAC
3	RAT SEN	Analog (10k thermistor)
4	Y1	Discrete, 24VAC
5		
6	Y2	Discrete, 24VAC
7	LOOP – PWR	Analog, 24VDC
8	W1	Discrete, 24VAC
9	IAQ – SEN	Analog, 4 – 20mA
10	W2	Discrete, 24VAC
11	IAQ – COM/OAQ – COM/RH – COM	Analog, 4 – 20mA
12	CCN + (RED)	Digital, 5VDC
13	OAQ – SEN/RH – SEN	Analog, 4 – 20mA
14	CCN Gnd (WHT)	Digital, 5VDC
15	AUX OUT (Power Exhaust)	(Output) Discrete 24VAC
16	CCN – (BLK)	Digital, 5VDC

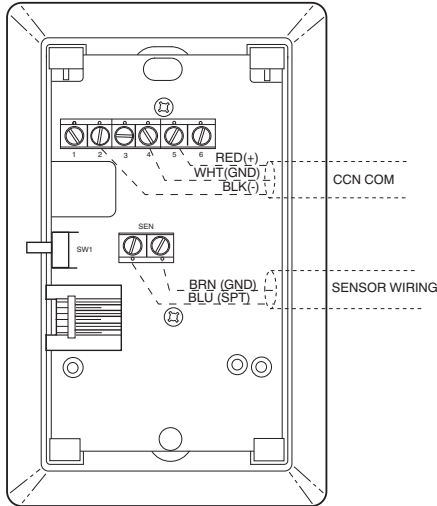
**LEGEND:**

- CCN – Carrier Comfort Network (communication bus)
- G – Thermostat Fan
- IAQ – Indoor Air Quality (CO<sub>2</sub>)
- OAQ – Outdoor Air Quality (CO<sub>2</sub>)
- RAT – Return Air Temperature
- RH – Relative Humidity
- W1 – Thermostat Heat Stage 1
- W2 – Thermostat Heat Stage 2
- Y1 – Thermostat Cool Stage 1
- Y2 – Thermostat Cool Stage 2



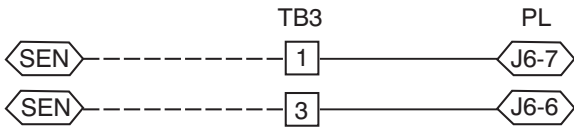
## Space Sensors —

The PremierLink controller is factory-shipped configured for Space Sensor Mode. A Carrier T-55 or T-56 space sensor must be used. T-55 space temperature sensor provides a signal of space temperature to the PremierLink control. T-56 provides same space temperature signal plus it allows for adjustment of space temperature setpoints from the face of the sensor by the occupants.



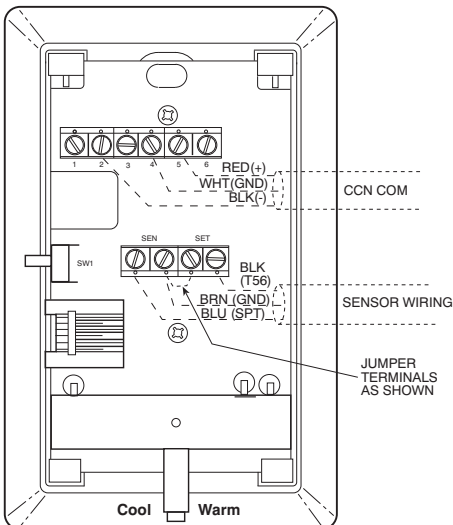
**Fig. 41 - T-55 Space Temperature Sensor Wiring**

**Connect T-55:** See Fig. 41 for typical T-55 internal connections. Connect the T-55 SEN terminals to TB3 terminals 1 and 3 (see Fig. 42).

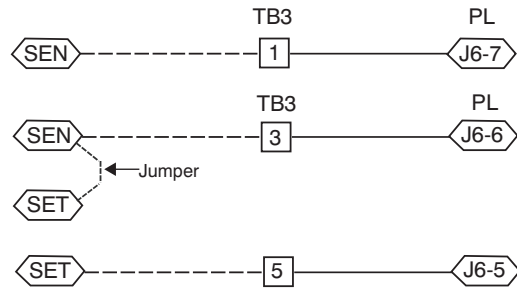


**Fig. 42 - PremierLink T-55 Sensor**

**Connect T-56:** See Fig. 43 for T-56 internal connections. Install a jumper between SEN and SET terminals as illustrated. Connect T-56 terminals to TB3 terminals 1, 3 and 5 (see Fig. 44).



**Fig. 43 - T-56 Internal Connections**

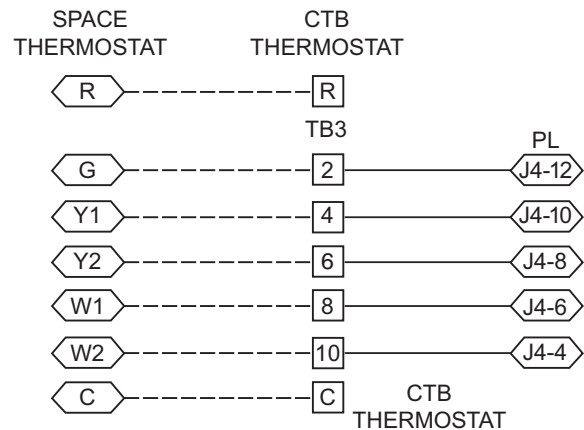


**Fig. 44 - PremierLink T-56 Sensor**

## Connect Thermostat —

A 7-wire thermostat connection requires a 24-v power source and a common connection. Use the R and C terminals on the CTB's THERMOSTAT connection strip for these. Connect the thermostat's Y1, Y2, W1, W2 and G terminals to PremierLink TB3 as shown in Fig. 45.

If the 48HC unit is equipped with factory-installed smoke detector(s), disconnect the factory BLU lead at TB3-6 (Y2) before connecting the thermostat. Identify the BLU lead originating at CTB-DDC-1; disconnect at TB3-6 and tape off. Confirm that the second BLU lead at TB3-6 remains connected to PremierLink J4-8.



**Fig. 45 - Space Thermostat Connections**

If the 48HC unit has an economizer system and free-cooling operation is required, a sensor representing Return Air Temperature must also be connected (field-supplied and installed). This sensor may be a T-55 Space Sensor (see Fig. 41) installed in the space or in the return duct, or it may be sensor PNO 33ZCSENSAT, installed in the return duct. Connect this sensor to TB3-1 and TB3-3 per Fig. 42.

## Configure the Unit for Thermostat Mode —

Connect to the CCN bus using a CCN service tool and navigate to PremierLink Configuration screen for Operating Mode. Default setting is Sensor Mode (value 1). Change the value to 0 to reconfigure the controller for Thermostat Mode.

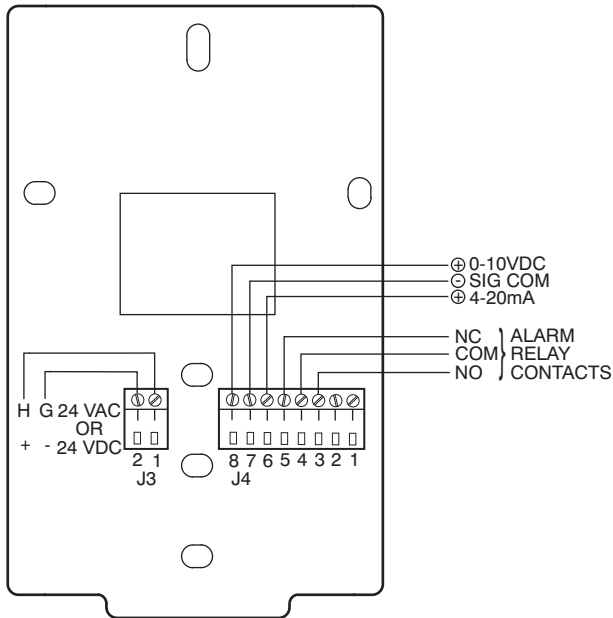
When the PremierLink is configured for Thermostat Mode, these functions are not available: Fire Shutdown (FSD), Remote Occupied (RMTOCC), Compressor Safety (CMPSAFE), Supply Fan Status (SFS), and Filter Pressure Switch (FILTER).

## Economizer Controls

### Indoor Air Quality (CO<sub>2</sub>) Sensor —

The indoor air quality sensor accessory monitors space carbon dioxide (CO<sub>2</sub>) levels. This information is used to monitor IAQ levels. Several types of sensors are available, for wall mounting in the space or in return duct, with and without LCD display, and in combination with space temperature sensors. Sensors use infrared technology to measure the levels of CO<sub>2</sub> present in the space air.

The CO<sub>2</sub> sensors are all factory set for a range of 0 to 2000 ppm and a linear mA output of 4 to 20. Refer to the instructions supplied with the CO<sub>2</sub> sensor for electrical requirements and terminal locations. See Fig. 46 for typical CO<sub>2</sub> sensor wiring schematic.



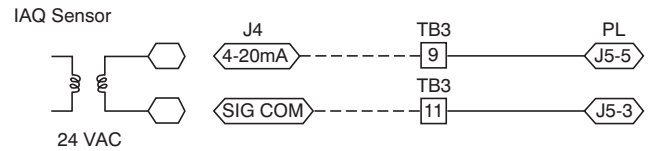
**Fig. 46 - Indoor/Outdoor Air Quality (CO<sub>2</sub>) Sensor (33ZCSENCO2) - Typical Wiring Diagram**

To accurately monitor the quality of the air in the conditioned air space, locate the sensor near a return-air grille (if present) so it senses the concentration of CO<sub>2</sub> leaving the space. The sensor should be mounted in a location to avoid direct breath contact.

Do not mount the IAQ sensor in drafty areas such as near supply ducts, open windows, fans, or over heat sources. Allow at least 3 ft (0.9 m) between the sensor and any corner. Avoid mounting the sensor where it is influenced by the supply air; the sensor gives inaccurate readings if the supply air is blown directly onto the sensor or if the supply air does not have a chance to mix with the room air before it is drawn into the return airstream.

**Wiring the Indoor Air Quality Sensor:** For each sensor, use two 2-conductor 18 AWG (American Wire Gage) twisted-pair cables (unshielded) to connect the separate isolated 24 vac power source to the sensor and to connect the sensor to the control board terminals.

To connect the sensor to the control, identify the positive (4 to 20 mA) and ground (SIG COM) terminals on the sensor. See Fig. 46. Connect the 4-20 mA terminal to terminal TB3-9 and connect the SIG COM terminal to terminal TB3-11. See Fig. 47.

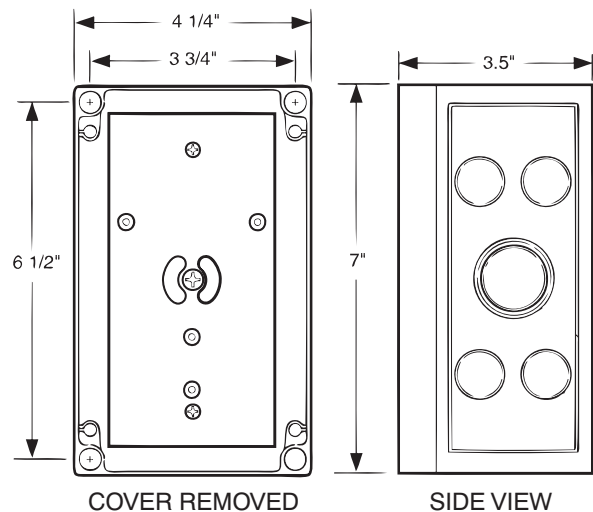


**Fig. 47 - Indoor CO<sub>2</sub> Sensor (33ZCSENCO2) Connections**

Refer to Form 33CS-67SI, PremierLink Installation, Start-up, and Configuration Instructions, for detailed configuration information.

### Outdoor Air Quality Sensor (PNO 33ZCSENCO2 plus weatherproof enclosure) —

The outdoor air CO<sub>2</sub> sensor is designed to monitor carbon dioxide (CO<sub>2</sub>) levels in the outside ventilation air and interface with the ventilation damper in an HVAC system. The OAQ sensor is packaged with an outdoor cover. See Fig. 48. The outdoor air CO<sub>2</sub> sensor must be located in the economizer outside air hood.

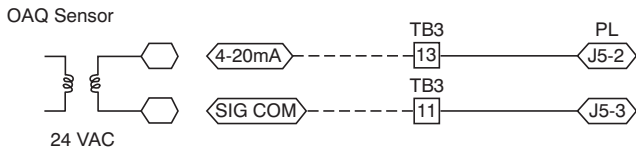


**Fig. 48 - Outdoor Air Quality Sensor Cover**

**Wiring the Outdoor Air CO<sub>2</sub> Sensor:** A dedicated power supply is required for this sensor. A two-wire cable is required to wire the dedicated power supply for the sensor. The two wires should be connected to the power supply and terminals 1 and 2.

To connect the sensor to the control, identify the positive (4 to 20 mA) and ground (SIG COM) terminals on the OAQ sensor. See Fig. 46. Connect the 4 to 20 mA terminal to the TB3-13 terminal of the 48HC. Connect the SIG COM terminal to the TB3-11 terminal of the 48HC. See Fig. 49.





**Fig. 49 - Outdoor CO<sub>2</sub> Sensor Connections**

C11157

**Space Relative Humidity Sensor or Humidistat Connections —**

**Space Relative Humidity Sensor connections:** The accessory space relative humidity sensor (33ZCSENSORH-01) is installed on an interior wall to measure the relative humidity of the air within the occupied space.

The use of a standard 2 X 4 inch electrical box to accommodate the wiring is recommended for installation. The sensor can be mounted directly on the wall, if acceptable by local codes.

**⚠ CAUTION**

**UNIT DAMAGE HAZARD**

Failure to follow this caution may result in permanent damage to the sensor.

DO NOT clean or touch the sensing element with chemical solvents as they can permanently damage the sensor.

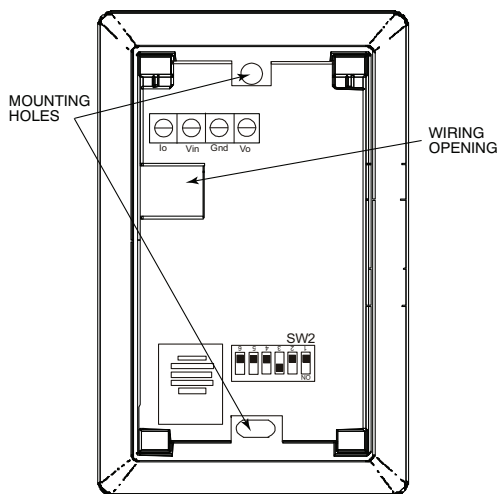
**⚠ CAUTION**

**UNIT PERFORMANCE HAZARD**

Failure to follow this caution will result in inaccurate sensor readings.

DO NOT mount the sensor in drafty areas such as near heating or air-conditioning ducts, open windows, fans, or over heat sources such as baseboard heaters, radiators, or wall-mounted dimmers. Sensors mounted in those areas will produce inaccurate readings.

If the sensor is installed directly on a wall service, install the humidity sensor using 2 screws and 2 hollow wall anchors (field supplied). Do not over tighten screws. See Fig. 50.



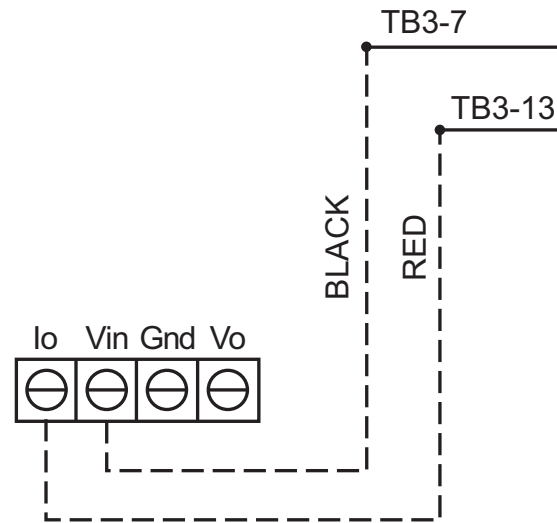
**Fig. 50 - Space Relative Humidity Sensor Installation**

C11084

The sensor must be mounted vertically on the wall. The Carrier logo should be orientated correctly when the sensor is properly mounted.

Avoid corner locations. Allow at least 4 ft between the sensor and any corner. Airflow near corners tends to be reduced, resulting in erratic sensor readings. The sensor should be vertically mounted approximately 5 ft up from the floor, beside the space temperature sensor.

For wiring distances up to 500 feet, use a 3-conductor, 18 or 20 AWG cable. ACCN communication cable can be used, although the shield is not required. The shield must be removed from the sensor end of the cable if this cable is used. See Fig. 51 for wiring details.



**Fig. 51 - Space Relative Humidity Sensor Connection**

C11085

The power for the sensor is provided by the PremierLink control on terminal J5-4 (+33 to +35vdc).

**To wire the sensor:**

1. At the sensor, remove 4 inches of the jacket from the cable. Strip 1/4 inch of insulation from each conductor. Route the cable through the wire clearance opening in the center of the sensor. See Fig. 50.
2. Connect a field-supplied BLACK wire to the sensor screw terminal marked Vin.
3. Connect a field-supplied RED wire into the sensor screw terminal marked Io.
4. Connect the field-supplied RED wire from the sensor to TB3-13.
5. Connect the field-supplied BLACK wire from the sensor to TB3-7.

**Humidistat connections:** A humidistat can not be directly connected to the PremierLink controller. Follow the instructions on pages 24 & 25 to connect a humidistat or a thermostat as an electromechanical device.

48HC

### Smoke Detector/Fire Shutdown (FSD) —

This function is available only when PremierLink is configured for (Space) Sensor Mode. The unit is factory-wired for PremierLink FSD operation when PremierLink is factory-installed.

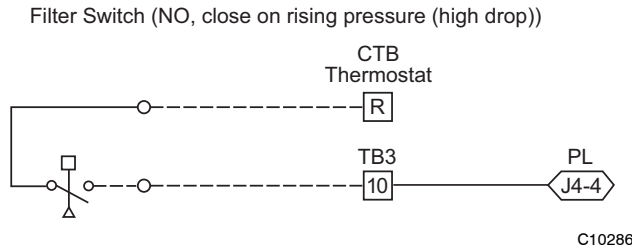
On 48HC units equipped with factory-installed Smoke Detector(s), the smoke detector controller implements the unit shutdown through its NC contact set connected to the unit's CTB input. The FSD function is initiated via the smoke detector's Alarm NO contact set. The PremierLink communicates the smoke detector's tripped status to the CCN building control. See Figs. 38 and 39, the PremierLink wiring schematics.

### Filter Status Switch —

This function is available only when PremierLink is configured for (Space) Sensor Mode.

PremierLink control can monitor return filter status in two ways: By monitoring a field-supplied/installed filter pressure switch or via supply fan runtime hours.

**Using switch input:** Install the dirty filter pressure switch according to switch manufacturer's instructions, to measure pressure drop across the unit's return filters. Connect one side of the switch's NO contact set to CTB's THERMOSTAT-R terminal. Connect the other side of the NO contact set to TB3-10. Setpoint for Dirty Filter is set at the switch. See Fig. 52.



**Fig. 52 - PremierLink Filter Switch Connection**

When the filter switch's NO contact set closes as filter pressure drop increases (indicating dirt-laden filters), the input signal to PremierLink causes the filter status point to read "DIRTY".

**Using Filter Timer Hours:** Refer to Form 33CS-67SI for instructions on using the PremierLink Configuration screens and on unit alarm sequence.

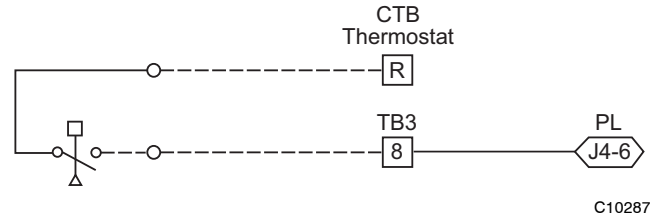
### Supply Fan Status Switch —

The PremierLink control can monitor supply fan operation through a field-supplied/installed differential pressure switch. This sequence will prevent (or interrupt) operation of unit cooling, heating and economizer functions until the pressure switch contacts are closed indicating proper supply fan operation.

Install the differential pressure switch in the supply fan section according to switch manufacturer's instructions. Arrange the switch contact to be open on no flow and to close as pressure rises indicating fan operation.

Connect one side of the switch's NO contact set to CTB's THERMOSTAT-R terminal. Connect the other side of the NO contact set to TB3-8. Setpoint for Supply Fan Status is set at the switch. See Fig. 53.

Fan (Pressure) Switch (NO, close on rise in pressure)

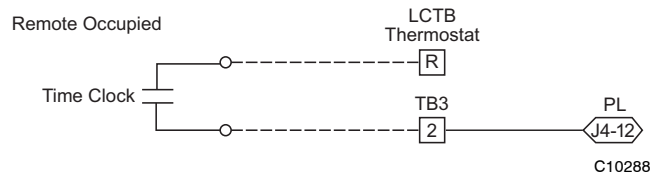


**Fig. 53 - PremierLink Wiring Fan Pressure Switch Connection**

### Remote Occupied Switch —

The PremierLink control permits a remote timeclock to override the control's on-board occupancy schedule and place the unit into Occupied mode. This function may also provide a "Door Switch" time delay function that will terminate cooling and heating functions after a 2-20 minute delay.

Connect one side of the NO contact set on the timeclock to CTB's THERMOSTAT-R terminal. Connect the other side of the timeclock contact to the unit's TB3-2 terminal.

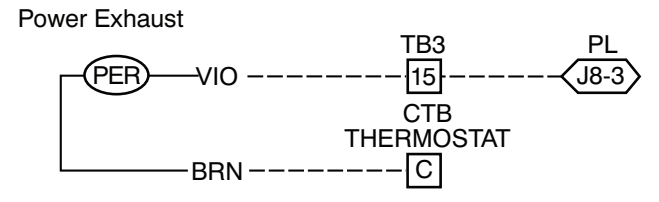


**Fig. 54 - PremierLink Wiring Remote Occupied**

Refer to Form 33CS-67SI for additional information on configuring the PremierLink control for Door Switch timer function.

### Power Exhaust (output) —

Connect the accessory Power Exhaust contactor coils(s) per Fig. 55.



**Fig. 55 - PremierLink Power Exhaust Output Connection**

**NOTE:** The Power Exhaust and Humidi-MiZer<sup>®</sup> options can not be used with PremierLink at the same time as both options require connection at TB3-15 (AUX OUT).

## CCN Communication Bus —

The PremierLink controller connects to the bus in a daisy chain arrangement. Negative pins on each component must be connected to respective negative pins, and likewise, positive pins on each component must be connected to respective positive pins. The controller signal pins must be wired to the signal ground pins. Wiring connections for CCN must be made at the 3-pin plug.

At any baud (9600, 19200, 38400 baud), the number of controllers is limited to 239 devices maximum. Bus length may not exceed 4000 ft (1219 m), with no more than 60 total devices on any 1000-ft section. Optically isolated RS-485 repeaters are required every 1000 ft (305 m).

**NOTE:** Carrier device default is 9600 baud.

**Communications Bus Wire Specifications:** The CCN Communication Bus wiring is field-supplied and field-installed. It consists of shielded 3-conductor cable with drain (ground) wire. The cable selected must be identical to the CCN Communication Bus wire used for the entire network.

See Table 7 for recommended cable.

**Table 7 – Recommended Cables**

MANUFACTURER	CABLE PART NO.
Alpha	2413 or 5463
American	A22503
Belden	8772
Columbia	02525

**NOTE:** Conductors and drain wire must be at least 20 AWG, stranded, and tinned copper. Individual conductors must be insulated with PVC, PVC/nylon, vinyl, Teflon, or polyethylene. An aluminum/polyester 100% foil shield and an outer jacket of PVC, PVC/nylon, chrome vinyl, or Teflon with a minimum operating temperature range of -20°C (-4°F) to 60°C (140°F) is required. Do not run communication wire in the same conduit as or next to any AC voltage wiring.

The communication bus shields must be tied together at each system element. If the communication bus is entirely within one building, the resulting continuous shield must be connected to ground at only one single point. If the communication bus cable exits from one building and enters another building, the shields must be connected to the grounds at a lightning suppressor in each building (one point only).

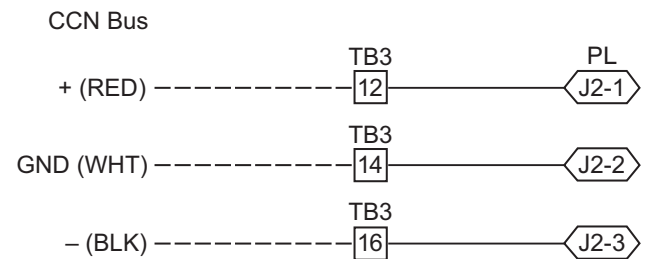
### Connecting CCN Bus:

**NOTE:** When connecting the communication bus cable, a color code system for the entire network is recommended to simplify installation and checkout. See Table 8 for the recommended color code.

**Table 8 – Color Code Recommendations**

SIGNAL TYPE	CCN BUS WIRE COLOR	CCN PLUG PIN NUMBER
+	Red	1
Ground	White	2
-	Black	3

Connect the CCN (+) lead (typically RED) to the unit's TB3-12 terminal. Connect the CCN (ground) lead (typically WHT) to the unit's TB3-14 terminal. Connect the CCN (-) lead (typically BLK) to the unit's TB3-16 terminal. See Fig. 56.



C10290

**Fig. 56 - PremierLink CCN Bus Connections**

## RTU Open Control System

The RTU Open control is factory-mounted in the 48HC unit's main control box, to the right of the CTB. See Fig. 37. Factory wiring is completed through harnesses connected to the CTB. Field connections for RTU Open sensors will be made at the Phoenix connectors on the RTU Open board. The factory-installed RTU Open control includes the supply-air temperature (SAT) sensor. The outdoor air temperature (OAT) sensor is included in the FIOP/accessory EconoMiSer2 package.

The RTU Open controller is an integrated component of the Carrier rooftop unit. Its internal application programming provides optimum performance and energy efficiency. RTU Open enables the unit to run in 100% stand-alone control mode, Carrier's I-Vu Open network, or a Third Party Building Automation System (BAS). On-board DIP switches allow you to select your protocol (and baud rate) of choice among the four most popular protocols in use today: BACnet, Modbus, Johnson N2 and LonWorks. (See Fig. 57.)

Refer to Table 9, RTU Open Controller Inputs and Outputs for locations of all connections to the RTU Open board.

48HC

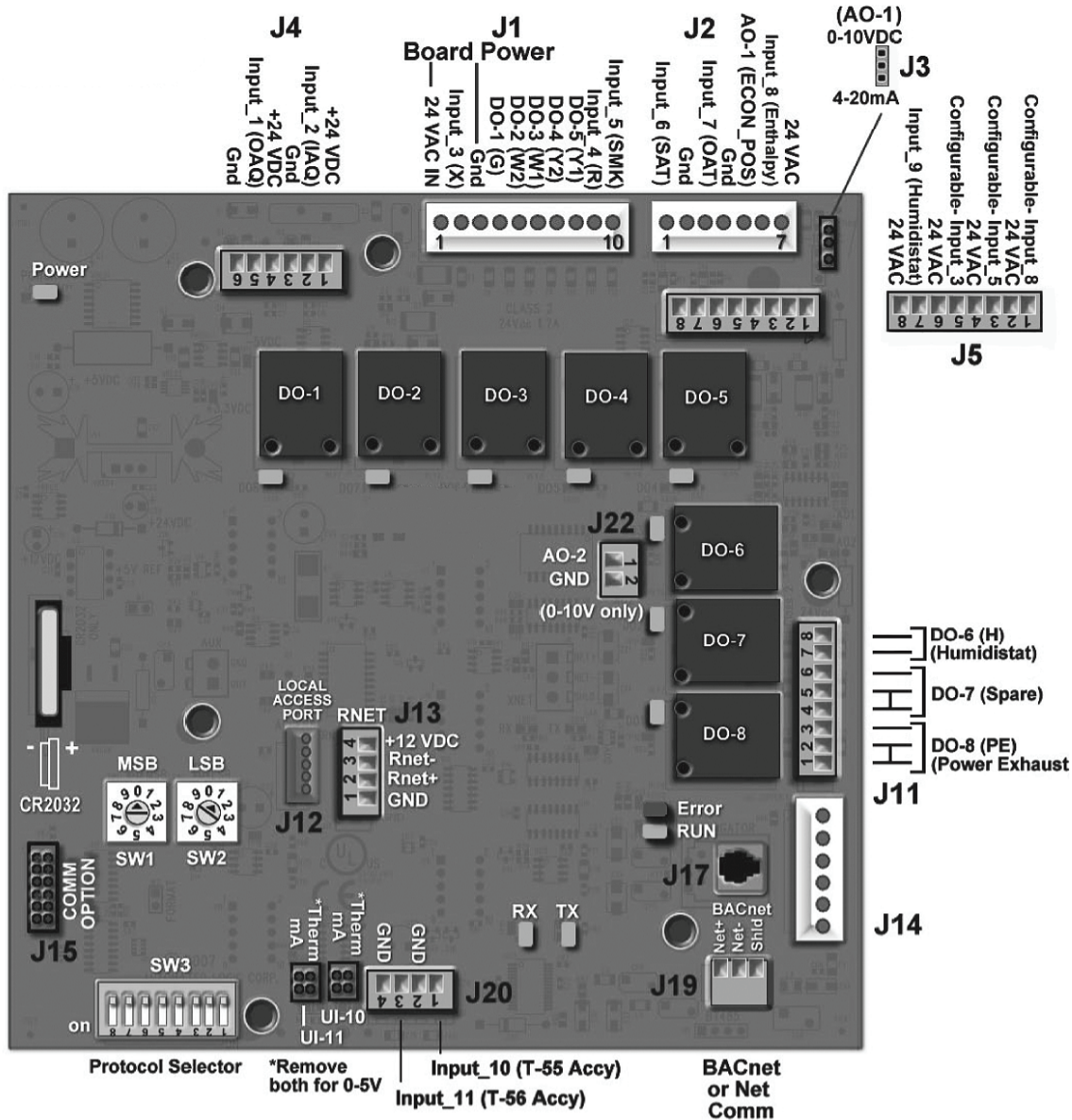
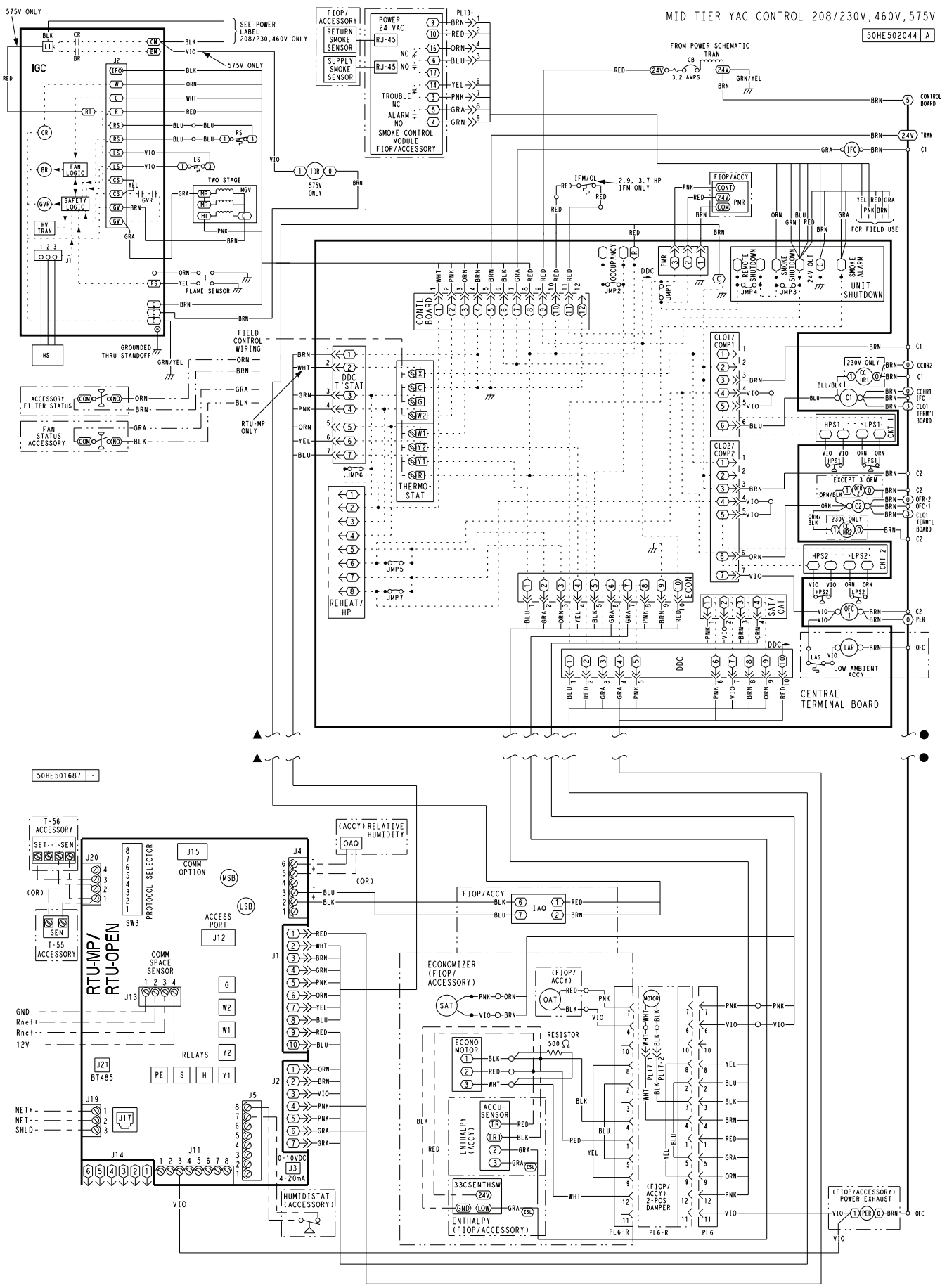


Fig. 57 - RTU Open Multi-Protocol Control Board

C10811



48HC

Fig. 58 - RTU Open System Control Wiring Diagram



48HC

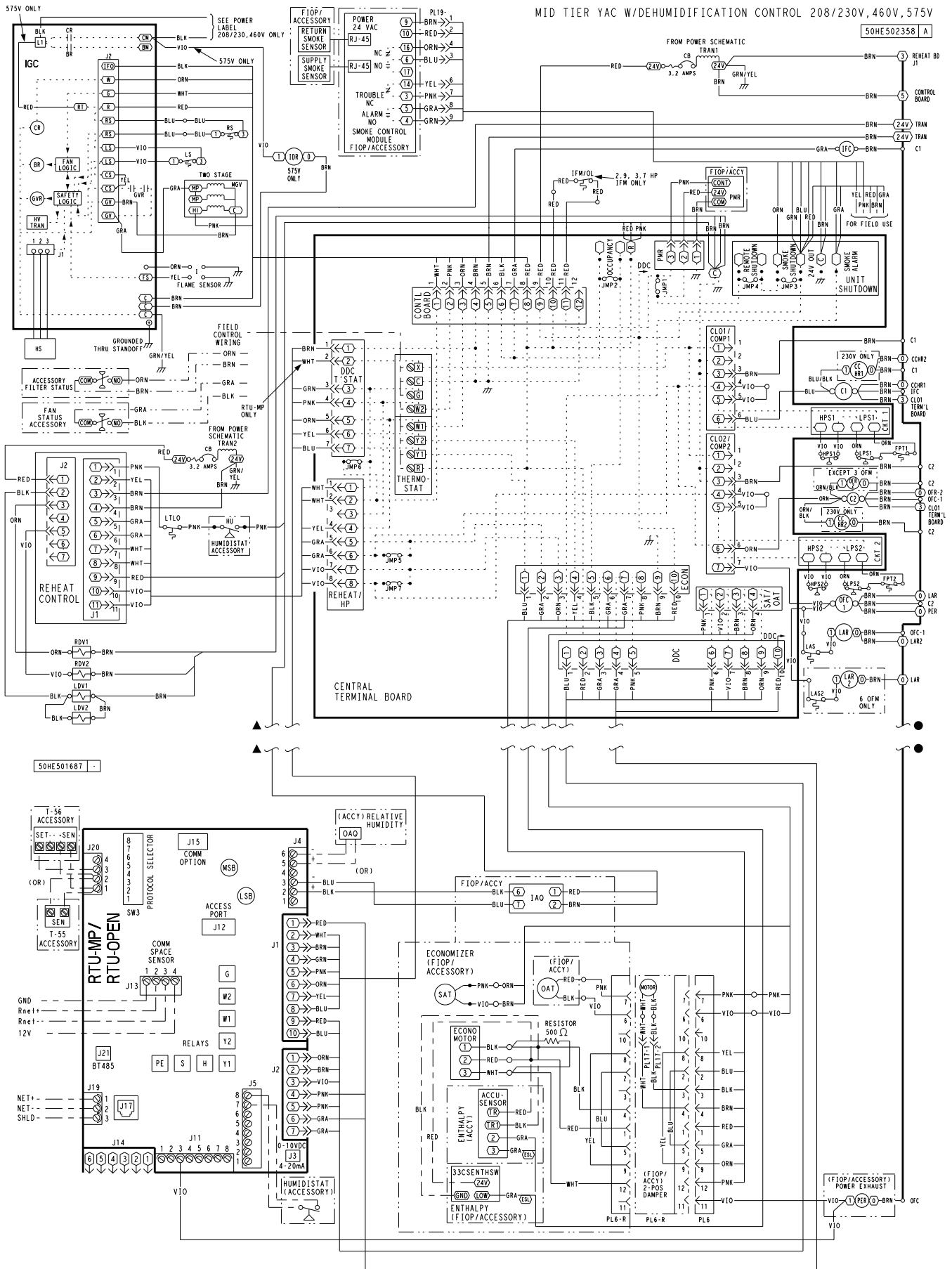


Fig. 59 - RTU Open System Control Wiring Diagram with Humidi-MiZer®

**Table 9 – RTU Open Controller Inputs and Outputs**

POINT NAME	BACnet OBJECT NAME	TYPE OF I/O	CONNECTION PIN NUMBER(S)
<b>DEDICATED INPUTS</b>			
Space Temp / Zone Temp	zone_temp	AI (10K Thermistor)	J20–1, 2
Supply Air Temperature	sa_temp	AI (10K Thermistor)	J2–1, 2
Outdoor Air Temperature	oa_temp	AI (10K Thermistor)	J2–3, 4
Space Temperature Offset Pot	stpt_adj_offset	AI (100K Potentiometer)	J20–3
Safety Chain Feedback	safety_status	DI (24 VAC)	J1–9
Compressor Safety Status	comp_status	DI (24 VAC)	J1–2
Fire Shutdown Status	firedown_status	DI (24 VAC)	J1–10
Enthalpy Status	enthalpy_status	DI (24 VAC)	J2–6
Humidistat Input Status	humstat_status	DI (24 VAC)	J5–7
<b>CONFIGURABLE INPUTS</b>			
Indoor Air CO2	iaq	AI (4–20 ma)	J4–2 or J4–5
Outdoor Air CO2	oaq	AI (4–20 ma)	
Space Relative Humidity	space_rh	AI (4–20 ma)	
Supply Fan Status*	sfan_status	DI (24 VAC)	J5–1 or J5–3 or J5 5 or J5–7
Filter Status*	filter_status	DI (24 VAC)	
Door Contact Input*	door_contact_status	DI (24 VAC)	
Occupancy Contact*	occ_contact_status	DI (24 VAC)	
<b>OUTPUTS</b>			
Economizer Output	econ_output	AO (4–20ma)	J2–5
Supply Fan Relay State	sfan	DO Relay (24VAC , 1A)	J1–4
Compressor 1 Relay State	comp_1	DO Relay (24VAC , 1A)	J1–8
Compressor 2 Relay State	comp_2	DO Relay (24VAC , 1A)	J1–7
Heat Stage 1 Relay State	heat_1	DO Relay (24VAC , 1A)	J1–6
Heat Stage 2 Relay State	heat_2	DO Relay (24VAC , 1A)	J1–5
Power Exhaust Relay State	pexh	DO Relay (24VAC , 1A)	J11–3
Dehumidification Relay State	dehum	DO Relay (24VAC, 1A)	J11–7, 8

**LEGEND**

- AI** – Analog Input
- AO** – Analog Output
- DI** – Discrete Input
- DO** – Discrete Output

\* These inputs (if installed) take the place of the default input on the specific channel according to schematic. Parallel pins J5–1 = J2–6, J5–3 = J1–10, J5–5 = J1–2 are used for field–installation.

The RTU Open controller requires the use of a Carrier space sensor. A standard thermostat cannot be used with the RTU Open system.

**Supply Air Temperature (SAT) Sensor —**

On FIOF-equipped 48HC unit, the unit is supplied with a supply-air temperature (SAT) sensor (33ZCSENSAT). This sensor is a tubular probe type, approx 6-inches (12.7 mm) in length. It is a nominal 10-k ohm thermistor.

The SAT is factory-wired. The SAT probe is wire-tied to the supply-air opening (on the horizontal opening end) in its shipping position. Remove the sensor for installation. Re-position the sensor in the flange of the supply-air opening or in the supply air duct (as required by local codes). Drill or punch a 1/2-in. hole in the flange or duct. Use two field-supplied, self-drilling screws to secure the sensor probe in a horizontal orientation. See Fig. 40.

**Outdoor Air Temperature (OAT) Sensor —**

The OAT is factory-mounted in the EconoMi\$er2 (FIOF or accessory). It is a nominal 10k ohm thermistor attached to an eyelet mounting ring.

**EconoMi\$er2 —**

The RTU Open control is used with EconoMi\$er2 (option or accessory) for outdoor air management. The damper position is controlled directly by the RTU Open control; EconoMi\$er2 has no internal logic device.

Outdoor air management functions can be enhanced with field-installation of these accessory control devices:

- Enthalpy control (outdoor air or differential sensors)
- Space CO<sub>2</sub> sensor
- Outdoor air CO<sub>2</sub> sensor

**Field Connections**

Field connections for accessory sensors and input devices are made the RTU Open, at plugs J1, J2, J4, J5, J11 and J20. All field control wiring that connects to the RTU Open must be routed through the raceway built into the corner post as shown in Fig. 31. The raceway provides the UL required clearance between high- and low-voltage wiring. Pass the control wires through the hole provided in the corner post, then feed the wires through the raceway

**48HC**

to the RTU Open. Connect to the wires to the removable Phoenix connectors and then reconnect the connectors to the board.

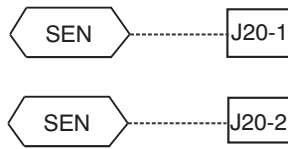
**Space Temperature (SPT) Sensors —**

There are two types of SPT sensors available from Carrier, resistive input non-communicating (T55, T56, and T59) and Rnet communicating (SPS, SPPL, SPP, and SPPF) sensors. Each type has a variety of options consisting of: timed override button, set point adjustment, a LCD screen, and communication tie in. Space temperature can be also be written to from a building network or zoning system. However, it is still recommended that return air duct sensor be installed to allow stand-alone operation for back-up. Refer to the configuration section for details on controller configurations associated with space sensors.

- 33ZCT55SPT, space temperature sensor with override button (T-55)
- 33ZCT56SPT, space temperature sensor with override button and setpoint adjustment (T-56)
- 33ZCT59SPT, space temperature sensor with LCD (liquid crystal display) screen, override button, and setpoint adjustment (T-59)

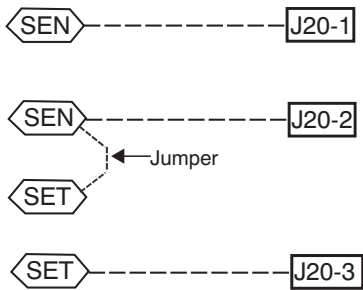
Use 20 gauge wire to connect the sensor to the controller. The wire is suitable for distances of up to 500 ft. (152 m). Use a three-conductor shielded cable for the sensor and setpoint adjustment connections. If the setpoint adjustment (slidebar) is not required, then an unshielded, 18 or 20 gauge, two-conductor, twisted pair cable may be used.

**Connect T-55:** See Fig. 41 for typical T-55 internal connections. Connect the T-55 SEN terminals to RTU Open J20-1 and J20-2. See Fig. 60.



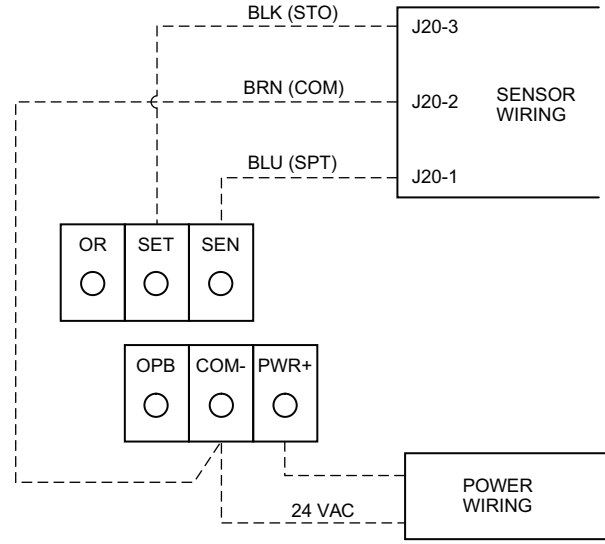
**Fig. 60 - RTU Open T-55 Sensor Connections**

**Connect T-56:** See Fig. 43 for T-56 internal connections. Install a jumper between SEN and SET terminals as illustrated. Connect T-56 terminals to RTU Open J20-1, J20-2 and J20-3 per Fig. 61.



**Fig. 61 - RTU Open T-56 Sensor Connections**

**Connect T-59:** The T-59 space sensor requires a separate, isolated power supply of 24 VAC. See Fig. 62 for internal connections at the T-59. Connect the SEN terminal (BLU) to RTU Open J20-1. Connect the COM terminal (BRN) to J20-2. Connect the SET terminal (STO or BLK) to J20-3.



NOTE: Must use a separate isolated transformer.

**Fig. 62 - Space Temperature Sensor Typical Wiring (33ZCT59SPT)**

**Indoor Air Quality (CO<sub>2</sub>) Sensor —**

The indoor air quality sensor accessory monitors space carbon dioxide (CO<sub>2</sub>) levels. This information is used to monitor IAQ levels. Several types of sensors are available, for wall mounting in the space or in return duct, with and without LCD display, and in combination with space temperature sensors. Sensors use infrared technology to measure the levels of CO<sub>2</sub> present in the space air.

The CO<sub>2</sub> sensors are all factory set for a range of 0 to 2000 ppm and a linear mA output of 4 to 20. Refer to the instructions supplied with the CO<sub>2</sub> sensor for electrical requirements and terminal locations. See Fig. 46 for typical CO<sub>2</sub> sensor wiring schematic.

To accurately monitor the quality of the air in the conditioned air space, locate the sensor near a return-air grille (if present) so it senses the concentration of CO<sub>2</sub> leaving the space. The sensor should be mounted in a location to avoid direct breath contact.

Do not mount the IAQ sensor in drafty areas such as near supply ducts, open windows, fans, or over heat sources. Allow at least 3 ft (0.9 m) between the sensor and any corner. Avoid mounting the sensor where it is influenced by the supply air; the sensor gives inaccurate readings if the supply air is blown directly onto the sensor or if the supply air does not have a chance to mix with the room air before it is drawn into the return airstream.

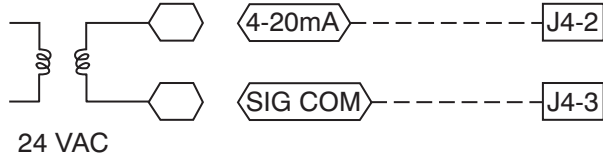
**Wiring the Indoor Air Quality Sensor:** For each sensor, use two 2-conductor 18 AWG (American Wire Gage) twisted-pair cables (unshielded) to connect the separate



isolated 24 vac power source to the sensor and to connect the sensor to the control board terminals.

To connect the sensor to the control, identify the positive (4 to 20 mA) and ground (SIG COM) terminals on the sensor. See Fig. 46. Connect the 4-20 mA terminal to RTU Open terminal J4-2 and connect the SIG COM terminal to RTU Open terminal J4-3. See Fig. 63.

IAQ Sensor



C10738

**Fig. 63 - RTU Open / Indoor CO<sub>2</sub> Sensor (33ZCSENCO2) Connections**

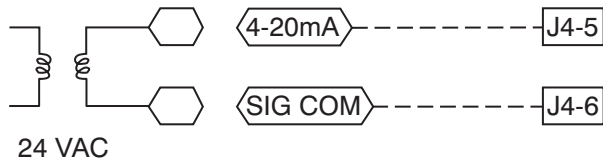
**Outdoor Air Quality Sensor (PNO 33ZCSENCO2 plus weatherproof enclosure) —**

The outdoor air CO<sub>2</sub> sensor is designed to monitor carbon dioxide (CO<sub>2</sub>) levels in the outside ventilation air and interface with the ventilation damper in an HVAC system. The OAQ sensor is packaged with an outdoor cover. See Fig. 48. The outdoor air CO<sub>2</sub> sensor must be located in the economizer outside air hood.

**Wiring the Outdoor Air CO<sub>2</sub> Sensor:** A dedicated power supply is required for this sensor. A two-wire cable is required to wire the dedicated power supply for the sensor. The two wires should be connected to the power supply and terminals 1 and 2.

To connect the sensor to the control, identify the positive (4 to 20 mA) and ground (SIG COM) terminals on the OAQ sensor. See Fig. 46. Connect the 4 to 20 mA terminal to RTU Open terminal J4-5. Connect the SIG COM terminal to RTU Open terminal J4-6. See Fig. 64.

OAQ Sensor/RH Sensor



C10739

**Fig. 64 - RTU Open / Outdoor CO<sub>2</sub> Sensor (33ZCSENCO2) Connections**

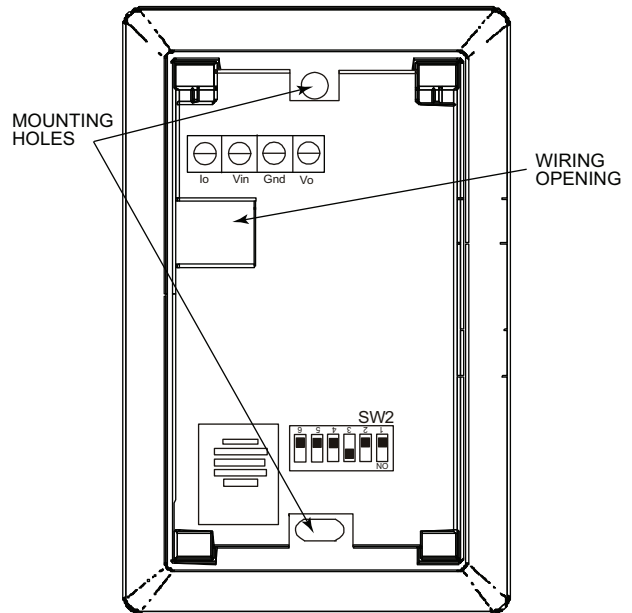
**Space Relative Humidity Sensor or Humidistat —**

**Humidi-MiZer® Control Wiring:** In units equipped with the Humidi-MiZer option there are two pink (PNK) wires loose in the control box used to control the dehumidification function of the unit. These pink wires are meant to be tied to a space humidistat or thermidistat on an electromechanical unit. On RTU Open equipped units these pink wires must be connected to J11-7 & 8 to allow the Open board to operate the dehumidification function for the unit. Disconnect the J11 Phoenix style connector from the board and use the plug screws to secure the pink wires in pins 7 and 8, reconnect the plug to the board at J11.

**Relative Humidity Sensors (Space or Duct Mounted):** The accessory space humidity sensor (33ZCSENSRH-01) or duct humidity sensor (33ZCSENDRH-01) is used to measure the relative humidity of air within the space or return air duct. The RH reading is used to control the Humidi-MiZer option of the rooftop unit. For wiring distances up to 500 ft (152 m), use a 3-conductor, 18 or 20 AWG shielded cable. The shield must be removed from the sensor end of the cable and grounded at the unit end. The current loop power for sensor is provided by the RTU Open controller as 24vdc. Refer to the instructions supplied with the RH sensor for the electrical requirements and terminal locations. RTU Open configurations must be changed after adding an RH sensor. See Fig. 65 and 66 for typical RH sensor wiring.

- J4-1 or J4-4 = 24vdc loop power
- J4-2 or J4-5 = 4-20mA signal input

**NOTE:** The factory default for dehumidification control is normally open humidistat.



Vin - J4-1 or J4-4 24Vdc  
lo - J4-2 or J4-5 -20mA output

C11087

**Fig. 65 - Space Relative Humidity Sensor Typical Wiring**

48HC

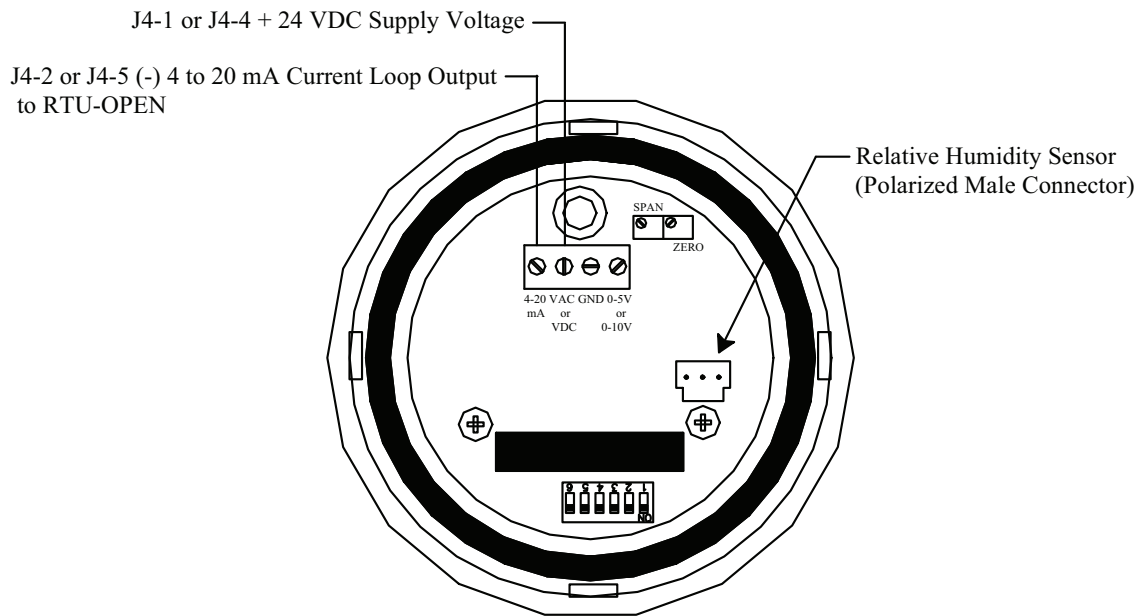


Fig. 66 - Duct Relative Humidity Sensor Typical Wiring

C10839

**Humidistat:** The accessory humidistat provides the RTU Open insight to the relative humidity in the space. The humidistat reads the RH level in the space and compares it to its setpoint to operate a dry contact. The humidistat is a dedicated input on the configurable input 9 and tells the RTU Open when the RH level is HIGH or LOW. The normal condition for humidity is LOW. A normally open humidistat is the factory default control for the Humidi-MiZer<sup>®</sup> option.

To wire in the field:

- J5-8 = 24 VAC source for dry contact
- J5-7 = Signal input

#### Smoke Detector/Fire Shutdown (FSD) —

On 48HC units equipped with factory-installed Smoke Detector(s), the smoke detector controller implements the unit shutdown through its NC contact set connected to the unit's CTB input. The FSD function is initiated via the smoke detector's Alarm NO contact set. The RTU Open controller communicates the smoke detector's tripped status to the BAS building control. See Figs. 58 and 59, the RTU Open wiring schematics.

The Fire Shutdown Switch configuration, *MENU* → *Config* → *Inputs* → *input 5*, identifies the normally open status of this input when there is no fire alarm.

#### Connecting Discrete Inputs —

**Filter Status:** The filter status accessory is a field-installed accessory. This accessory detects plugged filters. When installing this accessory, the unit must be configured for filter status by setting *MENU* → *Config* → *Inputs* → *input 3, 5, 8, or 9* to Filter Status and normally open (N/O) or normally closed (N/C). Input 8 or 9 is recommended for easy of installation. Refer to Fig. 57 and Fig. 58 or 59 for wire terminations at J5.

**Fan Status:** The fan status accessory is a field-installed accessory. This accessory detects when the indoor fan is blowing air. When installing this accessory, the unit must be configured for fan status by setting *MENU* → *Config* → *Inputs* → *input 3, 5, 8, or 9* to Fan Status and normally open (N/O) or normally closed (N/C). Input 8 or 9 is recommended for easy of installation. Refer to Fig. 57 and Fig. 58 or 59 for wire terminations at J5.

**Remote Occupancy:** The remote occupancy accessory is a field-installed accessory. This accessory overrides the unoccupied mode and puts the unit in occupied mode. When installing this accessory, the unit must be configured for remote occupancy by setting *MENU* → *Config* → *Inputs* → *input 3, 5, 8, or 9* to Remote Occupancy and normally open (N/O) or normally closed (N/C).

Also set *MENU* → *Schedules* → *occupancy source* to DI on/off. Input 8 or 9 is recommended for easy of installation. Refer to Fig. 57 and Table 9 for wire terminations at J5.

**Power Exhaust (output):** The relay used by the RTU Open board to control power exhaust is a dry contact which means it does not have 24vac. This 24vac must be connected to the relay to allow it to operate the power exhaust relay in the PE accessory. A 24vac source must be provided to J11-2 on the RTU Open control board. This can be provided by the unit's transformer from various sources. The "R" terminal on the unit's low voltage terminal board (LVTB) is a logical source. Refer to Fig. 57 and Fig. 58 or 59 for wire terminations at J11.

## Communication Wiring - Protocols

### General —

Protocols are the communication languages spoken by control devices. The main purpose of a protocol is to communicate information in the most efficient method possible. Different protocols exist to provide different kinds of information for different applications. In the BAS application, many different protocols are used, depending on manufacturer. Protocols do not change the function of a controller; just make the front end user different.

The RTU Open can be set to communicate on four different protocols: BACnet, Modbus, N2, and LonWorks. Switch 3 (SW3) on the board is used to set protocol and baud rate. Switches 1 and 2 (SW1 and SW2) are used to set the board's network address. See Fig. 67 and 68 for protocol switch settings and address switches. The 3rd party connection to the RTU Open is through plug J19. See Fig. 69 for wiring.

**NOTE:** Power must be cycled after changing the SW1-3 switch settings.

Refer to the *RTU Open Controller Integration Guide* (Catalog No. 11-808-428-01) for more detailed information on protocols, 3rd party wiring, and networking.

### SW3 Protocol Selection

PROTOCOL	DS8	DS7	DS6	DS5	DS4	DS3	DS2	DS1
<b>BACnet MS/TP (Master)</b>	Unused	OFF	OFF	OFF	ON	OFF	Select Baud	Select Baud
<b>Modbus (Slave)</b>	Unused	OFF	OFF	ON	ON	OFF	Select Baud	Select Baud
<b>N2 (Slave)</b>	Unused	OFF	OFF	OFF	ON	ON	OFF	OFF
<b>LonWorks</b>	Unused	ON	ON	OFF	ON	OFF	OFF	OFF

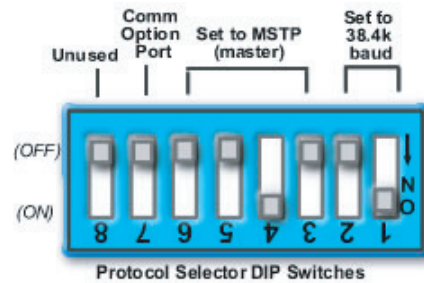
NOTE:

DS = Dip Switch

BACnet MS/TP SW3 example shown

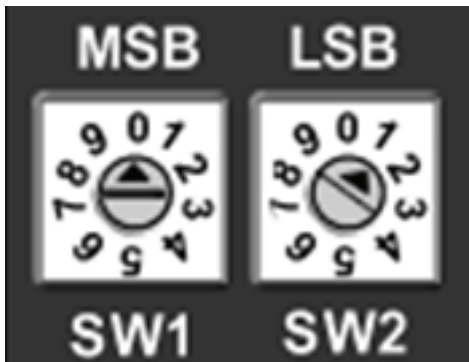
### Baud Rate Selections

BAUD RATE	DS2	DS1
9600	OFF	OFF
19,200	ON	OFF
38,400	OFF	ON
76,800	ON	ON



C07166

Fig. 67 - RTU Open SW3 Dip Switch Settings



C10815

Fig. 68 - RTU Open Address Switches

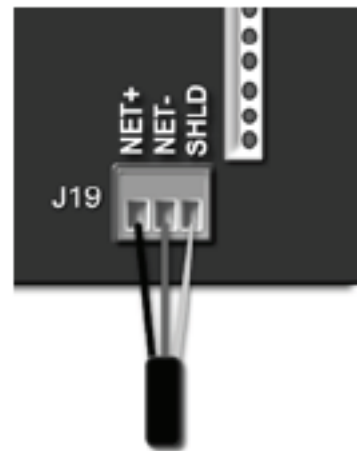


Fig. 69 - Network Wiring

C10816

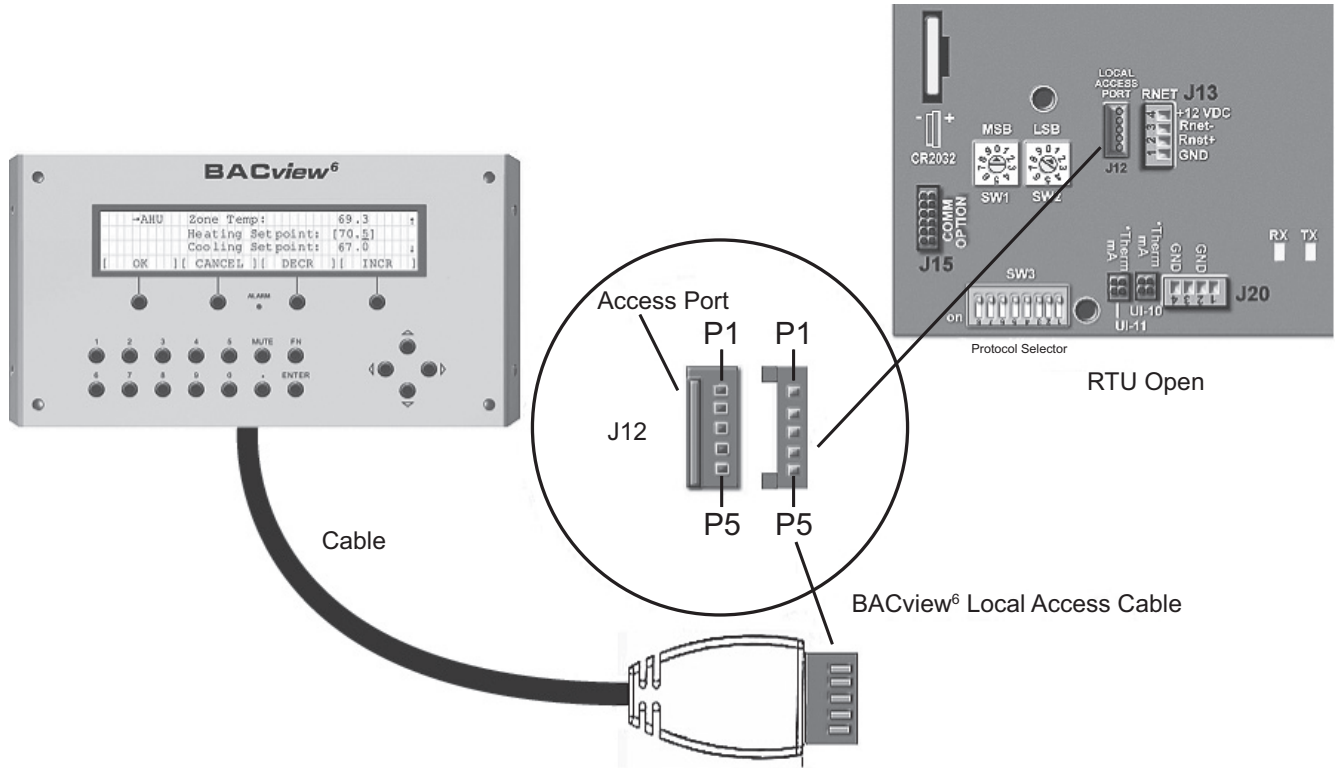
**Local Access —**

**BACview<sup>6</sup> Handheld:** The BACview<sup>6</sup> is a keypad/display interface used to connect to the RTU Open to access the control information, read sensor values, and test the RTU, see Fig. 70. This is an accessory interface that does not come with the RTU Open controller and can only be used at the unit. Connect the BACview<sup>6</sup> to the RTU Open J12 local access port. There are 2 password protected levels in the display (User and Admin). The user password is defaulted to 0000 but can be changed. The Admin password is 1111 and cannot be changed. There is a 10 minute auto logout if a screen is idle. See Form 48-50HCTQ-01T, Appendix A for navigation and screen content.

**Virtual BACview:** Virtual BACview is a freeware computer program that functions as the BACview<sup>6</sup> Handheld. The USB Link interface (USB-L) is required to connect a computer to the RTU Open board. The link cable connects a USB port to the J12 local access port. This program functions and operates identical to the handheld.

**RTU Open Troubleshooting —**

**Communication LEDs:** The LEDs indicate if the controller is speaking to the devices on the network. The LEDs should reflect communication traffic based on the baud rate set. The higher the baud rate the more solid the LEDs will appear. See Table 10.



**Fig. 70 - BACview<sup>6</sup> Handheld Connections**

C10812

**Table 10 – LEDs**

The LEDs on the RTU Open Control Board (see Fig. 57) show the status of certain functions:

If this LED is on...	Status is...
<b>Power</b>	RTU Open has power
<b>Rx</b>	RTU Open is receiving data from the network segment
<b>Tx</b>	RTU Open is transmitting data over the network segment
<b>DO#</b>	The digital output is active

The **Run** and **Error** LEDs indicate control module and network status

If Run LED shows...	And Error LED shows...	Status is...
2 flashes per second	Off	Normal
2 flashes per second	2 flashes, alternating with <b>Run</b> LED	Five minute auto-restart delay after system error
2 flashes per second	3 flashes, then off	Control module has just been formatted
2 flashes per second	4 flashes, then pause	Two or more devices on this network have the same ARC156 network address
2 flashes per second	On	Exec halted after frequent system errors or control programs halted
5 flashes per second	On	Exec start-up aborted, Boot is running
5 flashes per second	Off	Firmware transfer in progress, Boot is running
7 flashes per second	7 flashes per second, alternating with <b>Run</b> LED	Ten second recovery period after brownout
14 flashes per second	14 flashes per second, alternating with <b>Run</b> LED	Brownout
On	On	Failure. Try the following solutions: <ul style="list-style-type: none"> <li>• Turn RTU Open off, then on.</li> <li>• Format RTU Open.</li> <li>• Download memory to RTU Open.</li> <li>• Replace RTU Open.</li> </ul>

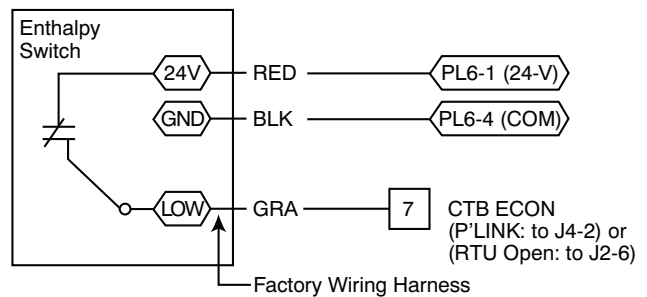
48HC

**NOTE:** Refer to Catalog No. 48-50HCTQ-01T for complete configuration of RTU Open, operating sequences and troubleshooting information. Refer to *RTU Open Controller Integration Guide* (Catalog No. 11-808-428-01) for details on configuration and troubleshooting of connected networks. Have a copy of these manuals available at unit start-up.

**Outdoor Air Enthalpy Control (PNO 33CSENTHSW)**

The enthalpy control (33CSENTHSW) is available as a field-installed accessory to be used with the EconoMi\$er2 damper system. The outdoor air enthalpy sensor is part of the enthalpy control. (The separate field-installed accessory return air enthalpy sensor (33CSENSEN) is required for differential enthalpy control. See Fig. 71.)

Locate the enthalpy control in the economizer next to the Actuator Motor. Locate two GRA leads in the factory harness and connect the gray lead labeled “ESL” to the terminal labeled “LOW”. See Fig. 71. Connect the enthalpy control power input terminals to economizer actuator power leads RED (connect to 24V) and BLK (connect to GND).



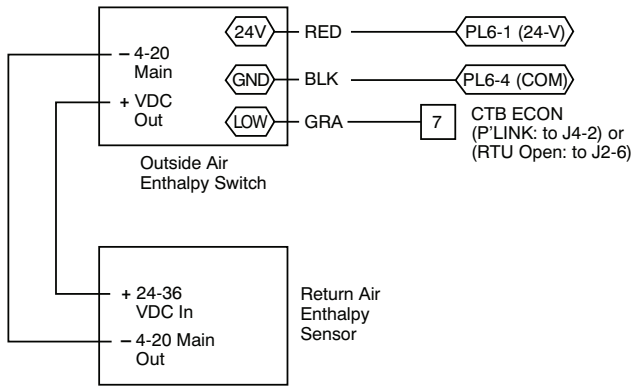
**Fig. 71 - Enthalpy Switch (33CSENTHSW) Connections**

C11160

The outdoor enthalpy changeover setpoint is set at the enthalpy controller.

**Differential Enthalpy Control —**

Differential enthalpy control is provided by sensing and comparing the outside air and return air enthalpy conditions. Install the outdoor air enthalpy control as described above. Add and install a return air enthalpy sensor (see Fig. 72).



C11161

**Fig. 72 - Outside and Return Air Enthalpy Sensor Wiring**

To wire the return air enthalpy sensor, perform the following:

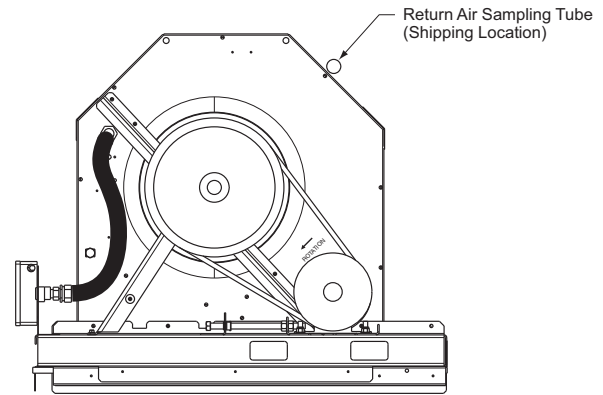
1. Use a 2-conductor, 18 or 20 AWG, twisted pair cable to connect the return air enthalpy sensor to the enthalpy controller.
2. Connect the field-supplied RED wire to (+) spade connector on the return air enthalpy sensor and the (+) terminal on the enthalpy controller. Connect the BLK wire to (-) spade connector on the return air enthalpy sensor and the (-) terminal on the enthalpy controller.

### Smoke Detectors

Smoke detectors are available as factory-installed options on 48HC models. Smoke detectors may be specified for Supply Air only or for Return Air without or with economizer or in combination of Supply Air and Return Air. Return Air smoke detectors are arranged for vertical return configurations only. The unit is factory-configured for immediate smoke detector shutdown operation; additional wiring or modifications to unit terminal board may be necessary to complete the unit and smoke detector configuration to meet project requirements.

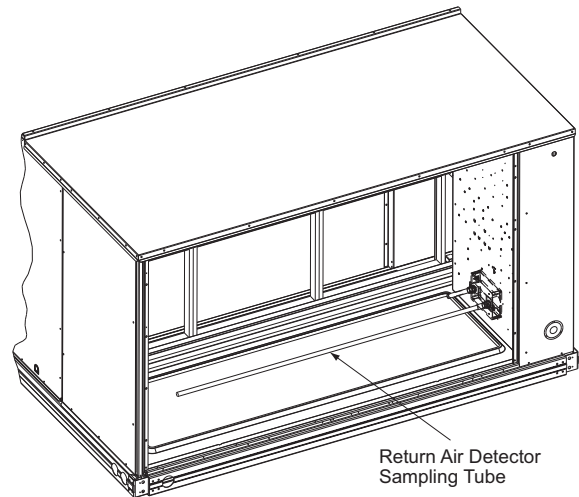
#### **Return Air Sensor Tube Installation –**

The return air sampling tube is shipped in the unit's supply fan section, attached to the blower housing (see Fig. 73). Its operating location is in the return air section of the unit (see Fig. 74, unit without economizer, or Fig. 75, unit with economizer), inserted into the return air sensor module housing which protrudes through the back of the control box.



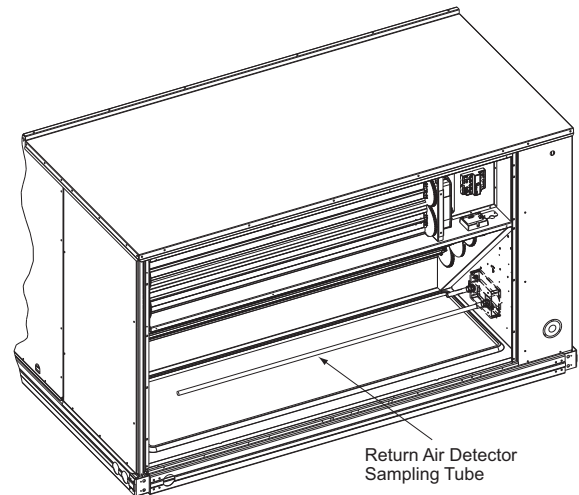
C09102

**Fig. 73 - Typical Supply Air Smoke Detector Sensor Location**



C09135

**Fig. 74 - Return Air Sampling Tube Location in Unit without Economizer**



C09136

**Fig. 75 - Return Air Sampling Tube Location in Unit with Economizer**



**To install the return air sensor sampling tube:**

1. Remove the tube from its shipping location.
2. Open the unit end to access the return air sensor (located on right-hand partition)
3. Orient the tube's sampling holes into the return air flow direction. For vertical application, position the sampling holes on the bottom of the tube, facing into the bottom return duct opening. For horizontal application, position the sampling holes on the side of the tube, facing the unit's end panel.
4. Insert the sampling tube into the return air sensor module until the tube snaps into position.
5. Replace end panel or outside air hood.

**Smoke Detector Test Magnet —**

Locate the magnet; it is shipped in the control box area.

**Additional Application Data —**

Refer to Catalog No. HKRNKA-1XA for discussions on additional control features of these smoke detectors including multiple unit coordination.

**Table 11 – Unit Wire/Fuse or HACR Breaker Sizing Data**

UNIT	NOM. V-Ph-Hz	IFM TYPE	COMBUSTION	POWER	NO C.O. or UNPWR C.O.							
			FAN MOTOR	EXHAUST	NO P.E.				w/ P.E. (pwrdr fr/ unit)			
			FLA	FLA	MCA	FUSE or HACR BRKR	DISC. SIZE		MCA	FUSE or HACR BRKR	DISC. SIZE	
							FLA	LRA			FLA	LRA
48HC*D17	208/230-3-60	STD			68.3	90.0	71	393	80.1	100.0	85	413
		MED	0.52	5.9	71.0	90.0	74	410	82.8	100.0	88	430
		HIGH			75.8	100.0	80	419	87.6	100.0	93	439
	460-3-60	STD			34.9	45.0	36	234	41.1	50.0	44	246
		MED	0.3	3.1	36.3	45.0	38	243	42.5	50.0	45	255
		HIGH			38.9	50.0	41	247	45.1	50.0	48	259
	575-3-60	STD			26.2	30.0	27	184	31.0	40.0	33	192
		MED	0.24	2.4	26.2	30.0	27	184	31.0	40.0	33	192
		HIGH			29	35	31	198	33.8	40	36	206
48HC*D20	208/230-3-60	STD			75.7	100	79	440	87.5	100	93	460
		MED	0.52	5.9	80.5	100	85	449	92.3	100	98	469
		HIGH			85.9	100	91	459	97.7	125	104	479
	460-3-60	STD			36.6	45	38	245	42.8	50	46	257
		MED	0.3	3.1	39.2	50	41	249	45.4	50	49	261
		HIGH			42	50	45	254	48.2	60	52	266
	575-3-60	STD			26.2	30	27	186	31	40	33	194
		MED	0.24	2.4	29	35	31	200	33.8	40	36	208
		HIGH			32.4	40	35	198	37.2	45	40	206
48HC*D24	208/230-3-60	STD			88.7	100.0	93	544	100.5	125.0	107	564
		MED	0.52	5.9	94.1	110	100	554	105.9	125	113	574
		HIGH			107.6	125	114	628	119.4	150	128	648
	460-3-60	STD			48.6	60.0	51	277	54.8	60.0	58	289
		MED	0.3	3.1	51.4	60	54	282	57.6	70	61	294
		HIGH			57.4	70	61	319	63.6	80	68	331
	575-3-60	STD			35.5	45.0	37	204	40.3	50.0	43	212
		MED	0.24	2.4	38.9	50	41	202	43.7	50	47	210
		HIGH			39.4	50	42	229	44.2	50	47	237
48HC*D28	208/230-3-60	STD			117.4	150.0	121	584	129.2	175.0	135	604
		MED	0.52	5.9	122.8	150	127	594	134.6	175	141	614
		HIGH			135.5	175	142	668	147.3	175	156	688
	460-3-60	STD			54.0	60.0	57	303	60.2	70.0	64	315
		MED	0.3	3.1	56.8	70	60	308	63	80	67	320
		HIGH			62.8	80	67	345	69	80	74	357
	575-3-60	STD			40.4	50.0	42	228	45.2	50.0	48	236
		MED	0.24	2.4	43.8	50	46	226	48.6	60	52	234
		HIGH			44.3	50	47	253	49.1	60	52	261

**NOTE:** See page 49 for table legend and notes.

48HC

Table 11 - Unit Wire/Fuse or HACR Breaker Sizing Data (cont)

UNIT	NOM. V-Ph-Hz	IFM TYPE	COMBUSTION FAN MOTOR	POWER EXHAUST	w/ PWRD C.O.									
					NO P.E.				w/ P.E. (pwrd fr/ unit)					
					FLA	FLA	MCA	FUSE or HACR BRKR	DISC. SIZE		MCA	FUSE or HACR BRKR	DISC. SIZE	
									FLA	LRA			FLA	LRA
48HC*D17	208/230-3-60	STD			73.1	90.0	77	398	84.9	100.0	90	418		
		MED	0.52	5.9	75.8	100.0	80	415	87.6	100.0	93	435		
		HIGH			80.6	100.0	85	424	92.4	100.0	99	444		
	460-3-60	STD			37.1	45.0	39	236	43.3	50.0	46	248		
		MED	0.3	3.1	38.5	50.0	41	245	44.7	50.0	48	257		
		HIGH			41.1	50.0	44	249	47.3	60.0	51	261		
	575-3-60	STD			27.9	35.0	29	186	32.7	40.0	35	194		
		MED	0.24	2.4	27.9	35.0	29	186	32.7	40.0	35	194		
		HIGH			30.7	40.0	33	200	35.5	45.0	38	208		
48HC*D20	208/230-3-60	STD			80.5	100	85	445	92.3	100	98	465		
		MED	0.52	5.9	85.3	100	90	454	97.1	110	104	474		
		HIGH			90.7	100	96	464	102.5	125	110	484		
	460-3-60	STD			38.8	50	41	247	45	50	48	259		
		MED	0.3	3.1	41.4	50	44	251	47.6	60	51	263		
		HIGH			44.2	50	47	256	50.4	60	54	268		
	575-3-60	STD			27.9	35	29	188	32.7	40	35	196		
		MED	0.24	2.4	30.7	40	33	202	35.5	45	38	210		
		HIGH			34.1	40	36	200	38.9	45	42	208		
48HC*D24	208/230-3-60	STD			93.5	110.0	99	549	105.3	125.0	112	569		
		MED	0.52	5.9	98.9	125	105	559	110.7	125	119	579		
		HIGH			112.4	125	120	633	124.2	150	133	653		
	460-3-60	STD			50.8	60.0	54	279	57.0	70.0	61	291		
		MED	0.3	3.1	53.6	60	57	284	59.8	70	64	296		
		HIGH			59.6	70	64	321	65.8	80	71	333		
	575-3-60	STD			37.2	45.0	39	206	42.0	50.0	45	214		
		MED	0.24	2.4	40.6	50	43	204	45.4	50	49	212		
		HIGH			41.1	50	44	231	45.9	50	49	239		
48HC*D28	208/230-3-60	STD			122.2	150.0	127	589	134.0	175.0	140	609		
		MED	0.52	5.9	127.6	175	133	599	139.4	175	147	619		
		HIGH			140.3	175	148	673	152.1	200	161	693		
	460-3-60	STD			56.2	70.0	59	305	62.4	80.0	66	317		
		MED	0.3	3.1	59	70	62	310	65.2	80	70	322		
		HIGH			65	80	69	347	71.2	80	76	359		
	575-3-60	STD			42.1	50.0	44	230	46.9	60.0	50	238		
		MED	0.24	2.4	45.5	60	48	228	50.3	60	54	236		
		HIGH			46	60	49	255	50.8	60	54	263		

NOTE: See page 49 for table legend and notes.

48HC

## Legend and Notes for Table 11

### LEGEND:

BRKR	-	Circuit breaker
CO	-	Convenience outlet
DISC	-	Disconnect
FLA	-	Full load amps
LRA	-	Locked rotor amps
MCA	-	Minimum circuit amps
PE	-	Power exhaust
PWRD CO	-	Powered convenient outlet
UNPWR CO	-	Unpowered convenient outlet



### NOTES:

- In compliance with NEC requirements for multimotor and combination load equipment (refer to NEC Articles 430 and 440), the overcurrent protective device for the unit shall be fuse or HACR breaker. Canadian units may be fuse or circuit breaker.

### 2. Unbalanced 3-Phase Supply Voltage

Never operate a motor where a phase imbalance in supply voltage is greater than 2%. Use the following formula to determine the percentage of voltage imbalance.

$$\% \text{ Voltage Imbalance} = 100 \times \frac{\text{max voltage deviation from average voltage}}{\text{average voltage}}$$

Example: Supply voltage is 230-3-60



AB = 224 v  
BC = 231 v  
AC = 226 v

$$\begin{aligned} \text{Average Voltage} &= \frac{(224 + 231 + 226)}{3} = \frac{681}{3} \\ &= 227 \end{aligned}$$

Determine maximum deviation from average voltage.

$$(AB) 227 - 224 = 3 \text{ v}$$

$$(BC) 231 - 227 = 4 \text{ v}$$

$$(AC) 227 - 226 = 1 \text{ v}$$

Maximum deviation is 4 v.

Determine percent of voltage imbalance.

$$\begin{aligned} \% \text{ Voltage Imbalance} &= 100 \times \frac{4}{227} \\ &= 1.76\% \end{aligned}$$

This amount of phase imbalance is satisfactory as it is below the maximum allowable 2%.

**IMPORTANT:** If the supply voltage phase imbalance is more than 2%, contact your local electric utility company immediately.









## Free Manuals Download Website

<http://myh66.com>

<http://usermanuals.us>

<http://www.somanuals.com>

<http://www.4manuals.cc>

<http://www.manual-lib.com>

<http://www.404manual.com>

<http://www.luxmanual.com>

<http://aubethermostatmanual.com>

Golf course search by state

<http://golfingnear.com>

Email search by domain

<http://emailbydomain.com>

Auto manuals search

<http://auto.somanuals.com>

TV manuals search

<http://tv.somanuals.com>