

# CONTENTS

INTRODUCTION .....	1
MOUNTING RECOMMENDATIONS .....	2
FAN INSTALLATION .....	10
OPTIONAL EXCLUSIVE LIGHT FIXTURE INSTALLATION .....	11
CONTROL FEATURES:	
<b>VERSA•TOUCH 2</b> .....	14
TROUBLESHOOTING .....	16

## READ AND SAVE THESE INSTRUCTIONS

## SAFETY FIRST

Safety and the proper operation of your Casablanca fan both require a thorough knowledge of the product and proper installation; therefore, before attempting to install and operate your Casablanca fan, read this owner's manual completely and carefully. Retain this manual for future reference.

**CAUTION:** To avoid possible electrical shock, make certain that electricity is turned off at the circuit breaker or fuse box before attempting any installation procedure.

## BEFORE YOU START

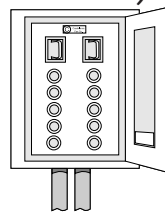
- **CAUTION: RISK OF ELECTRICAL SHOCK!** All wiring must be performed in accordance with national and local electrical codes. If you are unfamiliar with the wiring codes, you should use a qualified electrician. To avoid overheating and possible damage to other equipment, do not install control to a receptacle, fluorescent light fixture, motor operated appliance, or transformer-supplied appliance.
- This fan is designed to be installed on an existing electrical outlet box. The outlet box must be UL Listed for ceiling fan installations, if it is not, a new box must be installed. Casablanca extension poles are available for sloped or high ceiling installations.
- This ceiling fan requires a grounded electrical supply of 120 VAC, 60 Hz and a minimum 15 amp circuit. The maximum current requirement for the fan with light fixture is 3.8 amps. The fan uses about 1 amp or 100 watts. Maximum light current is 2.8 amps or 340 watts of lighting.
- Where wire nuts are employed, be sure all bare wires are within the connectors. When installing the canopy hatch, make sure all wires are within the canopy and that no wires are being pinched.

**For best performance and for your warranty to be valid, use only genuine Casablanca blades, light fixtures, and accessories.**

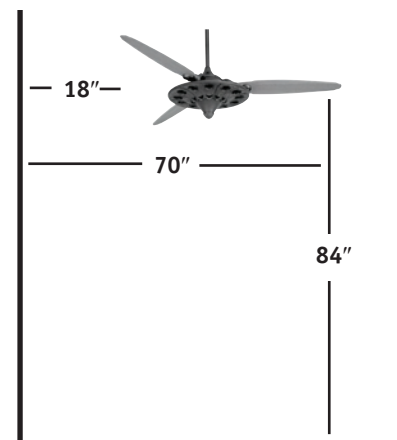
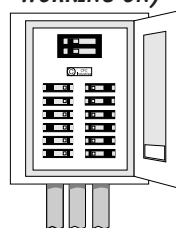
## NOTES

- The blades in each pack are matched for equal weight to assure smooth fan operation. If more than one fan is being installed, be careful not to mix blades from different cartons.
- Inspect the contents of your carton for possible shipping or handling damage and report any such damage directly to your authorized Casablanca dealer.
- It is always a good idea to have an assistant to help with the installation.
- When cleaning, painting, or working near your fan, be very careful of the fan and blades. Always turn the power OFF to the ceiling fan before servicing it, working on it, or replacing light bulbs.
- Never insert anything into the path of the fan blades while the fan is in operation.
- Never install a fan over a pool or spa.
- Never operate a fan that has been damaged in any way. Contact Casablanca Fan Company by calling 1-888-227-2178, or contact your local authorized Casablanca dealer for assistance in obtaining service.

**FUSE BOX  
(REMOVE FUSE FOR THE  
CIRCUIT YOU WILL BE  
WORKING ON)**



**CIRCUIT BREAKER  
(TRIP BREAKER FOR THE  
CIRCUIT YOU WILL BE  
WORKING ON)**



## MOUNTING RECOMMENDATIONS

Before mounting your Casablanca fan, read the following helpful recommendations. The location of the fan, air circulation, and fan size are all important factors to consider before installation.

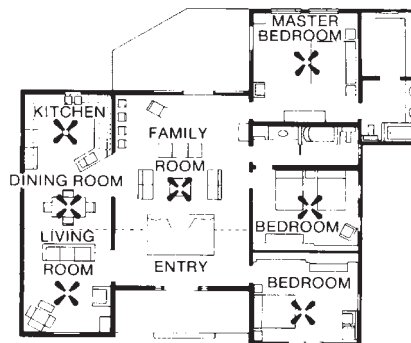
### Location

Ceiling fans have practical uses in almost every room in your home. We suggest you follow these mounting recommendations as you decide where to install your Casablanca fan.

- For safety reasons, the fan blades must be a minimum of 7' above the floor.
- Do not locate the fan in a doorway or above a swinging door.
- In any installation, the tips of the blades must be at least 18" from the wall in order to provide sufficient clearance for the blades.
- In bedrooms, fans work best when mounted above the foot of the bed.
- In low ceiling locations, our optional Low Ceiling Adaptor (LCA—available at extra cost) can be used to gain 3½" on certain fan models.
- Over pool tables, be sure to provide plenty of clearance to avoid damage from pool cues.
- In kitchens be sure to allow for open cupboard doors to clear the fan blades.
- Do not install a fan close to, or over, a pool or spa. High humidity combined with corrosive gases will destroy the finish and warp the blades.

### Fan Size

Variable fan speed capability permits the use of a full-size 52" fan even in smaller rooms. For very large rooms, two fans may be needed.



## SLOPED CEILING INSTALLATIONS

Suggested Extension Pole Lengths	
Ceiling Height	Pole Length
8'	Standard
8' 6"	Standard
9'	6"
9' 6"	12"
10'	12"
11'	18"
12'	24"
13'	36"
14'	48"

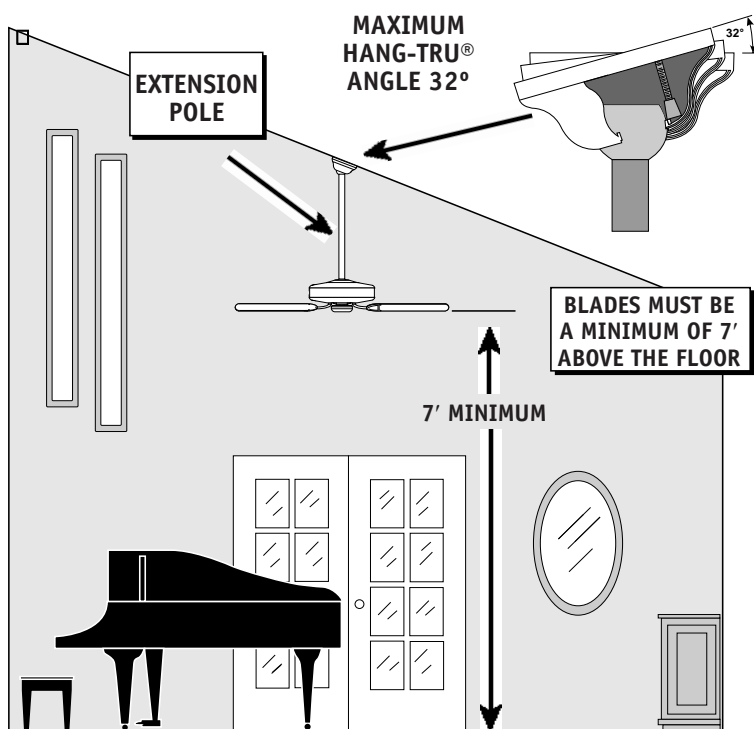
### When to Use Extension Poles

For best performance and best appearance, an extension pole should be used with your Casablanca fan when installing on high (cathedral) ceilings or sloped ceilings. Casablanca offers standard poles in increments of 6" up to 5'. Custom poles are available in lengths up to 9' 9". See your Authorized Casablanca Dealer for details.

**NOTE:** Fan may wobble or vibrate if pole length is not long enough and inside blade is too close to downslope or side wall. Extending pole length will usually solve problem.

### Calculation of 32°

Use the tear-off *Ceiling Angle Template* card inserted in the back of this manual, it provides you with a simple 'go' or 'no-go' for installing your fan on a sloped ceiling.



#### EXAMPLE 1

This slope is less than 32°. It is OK to install your fan.

#### EXAMPLE 2

This slope is 32°. This is the maximum slope that will allow the fan to hang straight down. It is OK to install your fan.

#### EXAMPLE 3

This slope is more than 32°.



## INSTALLATION INSTRUCTIONS

**Unpacking:** Before assembling and installing your ceiling fan, remove all parts from the shipping cartons and check them against the parts listed in instructions. Before discarding packaging material, be certain that all parts have been removed.

## GETTING STARTED

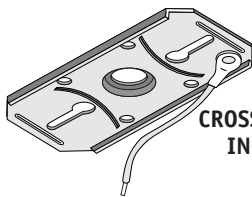
### Carton Contents

The fan carton contains the fan body, warranty card, owner's manual, and all the parts necessary to assemble and install your Casablanca ceiling fan. These parts are shown at the start of each installation section. Before you start, go through this Owner's Manual and confirm that you have all the parts shown in each section.

Be sure to use only genuine Casablanca blades. The blade shrink wrap holds 3 blades of matched weight. If more than one fan is being installed, be sure not to mix blade sets.

**CAUTION:** When removing the shrink wrap, be careful not to scratch the blades.

## CEILING HARDWARE

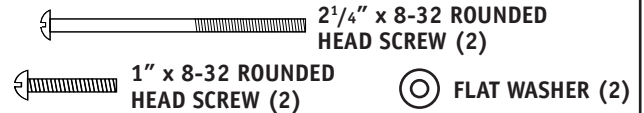


CROSSBAR MOUNTING BRACKET



WIRE NUT (4)

### ADDITIONAL HARDWARE

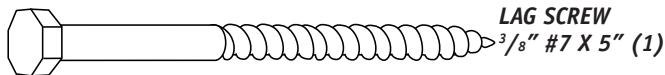


2 1/4" x 8-32 ROUNDED HEAD SCREW (2)

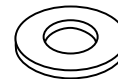
1" x 8-32 ROUNDED HEAD SCREW (2)

FLAT WASHER (2)

## SUPPORT INSTALLATION PARTS

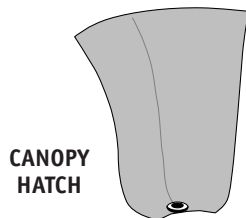


LAG SCREW  
3/8" #7 X 5" (1)

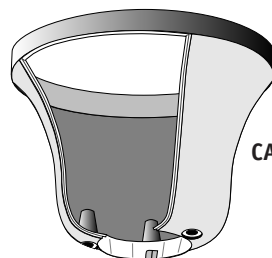


LARGE  
FLAT WASHER  
3/8" (1)

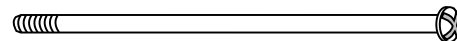
## CANOPY HARDWARE



CANOPY HATCH



CANOPY



CANOPY SCREW  
8-32 X 4 1/8" (4)



CANOPY LOCK WASHER  
#8 (4)

## GETTING STARTED - CONTINUED

### Installing a New Ceiling Fixture Outlet Box

If you do not have an existing fixture located where you wish to place your Casablanca fan, an approved ceiling fixture outlet box must be installed and wired.

**Warning:** To reduce the risk of fire, electrical shock, or personal injury, mount to outlet box marked acceptable for ceiling fan support.

### Using Existing Ceiling Fixture Outlet Box

After turning the power OFF at its source (either circuit breaker or fuse box), lower the old fixture and disconnect the wiring. Check the ceiling fixture outlet box to be sure that it is a UL listed ceiling box for ceiling fan applications. If it is not, a new box must be installed.

## CROSSBAR MOUNTING BRACKET INSTALLATION

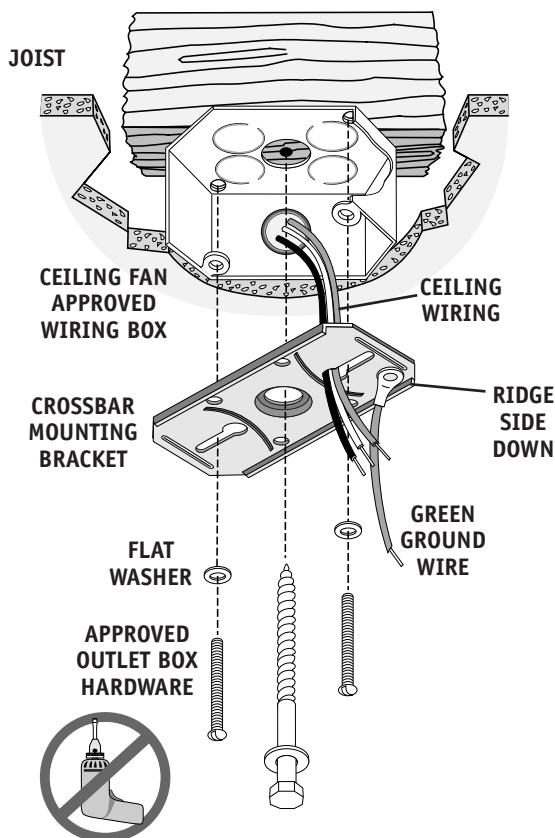
**Note:** After removing the old fixture, check the outlet box to insure that it is supported by a joist or beam across its upper surface. If not, a 2" x 4" stud must be installed.

**Step 1.** Remove the knockout plug in the center of the outlet box or drill a 1/2" hole for the lag screw to pass through. Then drill a 1/4" guide hole into the joist or beam to a depth of 3".

**Step 2.** Route the outlet box wires through the keyhole slot of the crossbar mounting bracket as shown. Attach the crossbar mounting bracket to outlet box with screws provided, assuring that the outlet box wires are not pinched by the washer.

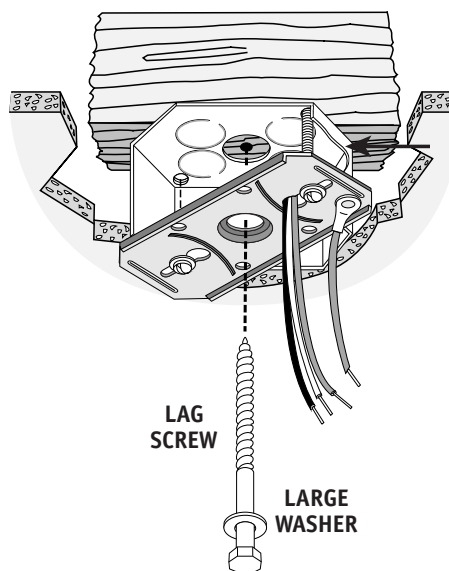
**CAUTION:** To reduce the risk of personal injury, use only the mounting hardware provided with the approved outlet box to install the crossbar mounting bracket.

**WARNING!**  
SUPPORT DIRECTLY TO  
BUILDING STRUCTURE ONLY.



## LAG SCREW INSTALLATION

**Step 3.** With the large washer attached, pass the lag screw through the center hole of the crossbar mounting bracket and screw into guide hole. Tighten until outlet box is firmly mounted to beam. This box must be firmly secured to the ceiling. We recommend that the ceiling fixture outlet box be of sufficient capacity enabling it to support the weight of fan and light fixture under any conditions.

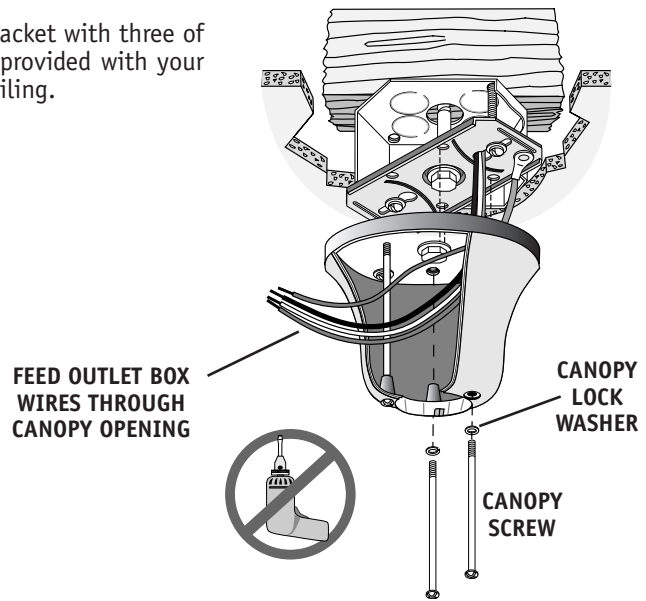




## CANOPY INSTALLATION

**Step 4.** Attach the canopy to the crossbar mounting bracket with three of the 8-32 x 4<sup>1</sup>/<sub>8</sub>" long canopy screws and lock washers provided with your Casablanca fan. Hand tighten until snug against the ceiling.

**Note:** On sloped ceilings, align the canopy opening toward the top or peak of the room.



## BLADE HOLDER, MEDALLION AND BLADE ASSEMBLY



**Blade**  
(3)



**Blade Iron**  
(3)



**Medallion**  
(3)



**Bracket**  
(3)

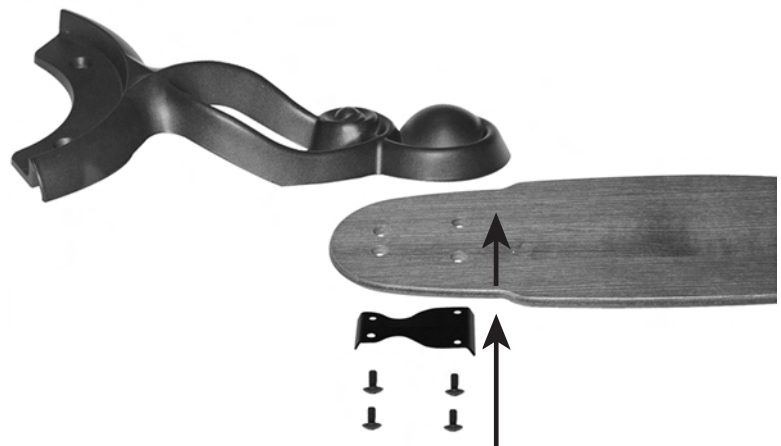


**8-32 x 8mm**  
(12)



**Small Allen Wrench**

**Step 5.** Take a blade, blade iron, bracket and 4 of the 8-32 screws. Align the blade iron into the holes of the blade and then place a bracket (edges facing up, away from the blade) and assemble with the 4 screws. Tighten securely by hand.



## BLADE HOLDER, MEDALLION AND BLADE ASSEMBLY

**Step 6.** Align the medallion over the bracket, with the set screw towards the edges of the blade and place the medallion over the wider end of the bracket. When it feels engaged, push on it until the other end snaps in place.



**Step 7.** Using the allen wrench, tighten the set screw by hand until snug.



**Step 8.** Repeat step 5 through 7 until all 3 blade assemblies are complete.

**Step 9.** Remove the motor shield from the top of the motor, note the caution message and read the instruction carefully.

**Note:** Write down the Serial Number and the model number for future reference.



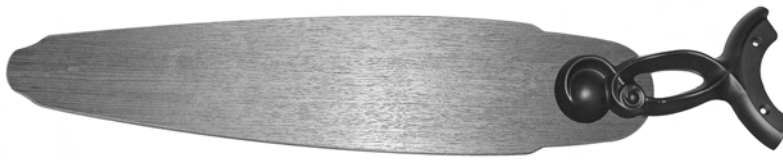
MOTOR SHIELD



FAN BODY



BLADE ASSEMBLY ON FAN INSTALLATION



BLADE ASSEMBLY



BLADEHOLDER SCREW  
12-24 X 5/8 (2 PER BLADE)

**Step 10.** Take a blade assembly and insert the foot of the blade iron between the motor adapter and the motor.

**Tip:** The screw showing on the motor should be between the 2 mounting holes for the blade iron.



**Step 11.** Align one blade iron hole with the appropriate hole in the motor and the cut-out in the the motor adapter. Tighten screw by hand only.



## BLADE ASSEMBLY ON FAN INSTALLATION

**Step 12.** Rotate blade assembly until the other blade iron hole aligns with the cut-out and again, install and tighten screw by hand only. Repeat steps 11 and 12 until all 3 blade assemblies are installed this way.



## PERMA•LOCK™ HARDWARE



ALLEN SET SCREW  
1/4"-20 x 1/4"  
(PRE-INSTALLED)



3mm  
ALLEN WRENCH



MOTOR COVER



6" DOWNROD  
& BALL ASSEMBLY

## FAN PREPARATION

### IMPORTANT SAFETY INFORMATION!

BEFORE STARTING THE INSTALLATION OF YOUR CEILING FAN, INSTALL THE THREADED DOWNROD INTO THE MOTOR COUPLING AND LOCK THE ASSEMBLY

**Prepare for fan installation as follows:**

**Step 13.** Place the motor cover on the downrod as shown.

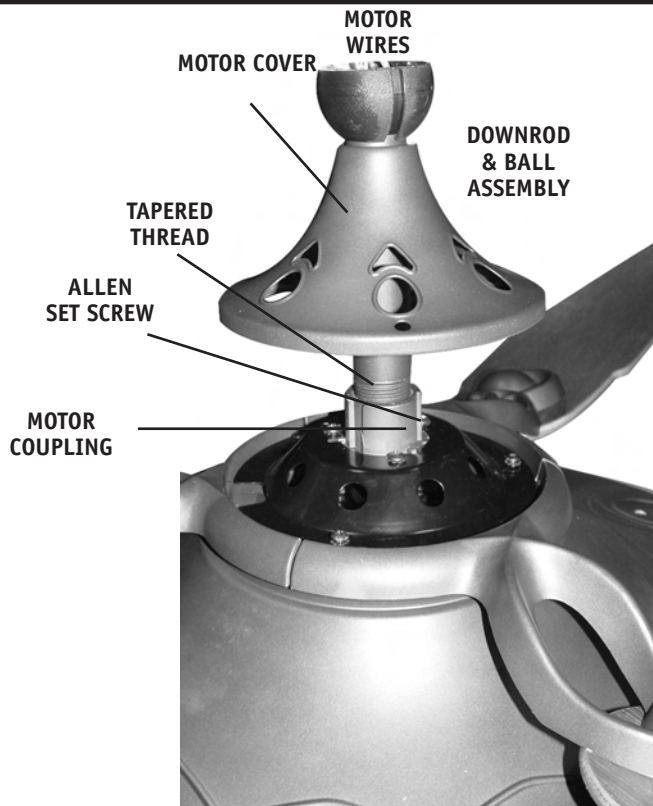
**Step 14.** Route the wires from the motor through the Perma•Lock™ downrod and ball assembly.

**Tip:** The downrod has a tapered thread that is designed to lock completely when correctly installed.

**Step 15.** Using the provided allen wrench, loosen the set screw several turns to allow installation of the downrod. Thread the downrod into the motor coupling until it stops turning, this will take at least four and a half full turns.

**Step 16.** Securely tighten the set screw with the provided allen wrench to ensure safe operation of your fan.

**CAUTION:** Failure to fully lock in the downrod before securely tightening the allen set screw may cause the fan to separate from the downrod during normal operation!







## FAN PREPARATION

**Step 17.** Align the motor cover key hole slots with the three screws in the motor adapter. Once the cover clears the screw and washers, turn counter-clockwise to engage

**Step 18.** Securely tighten the screws by hand until snug.

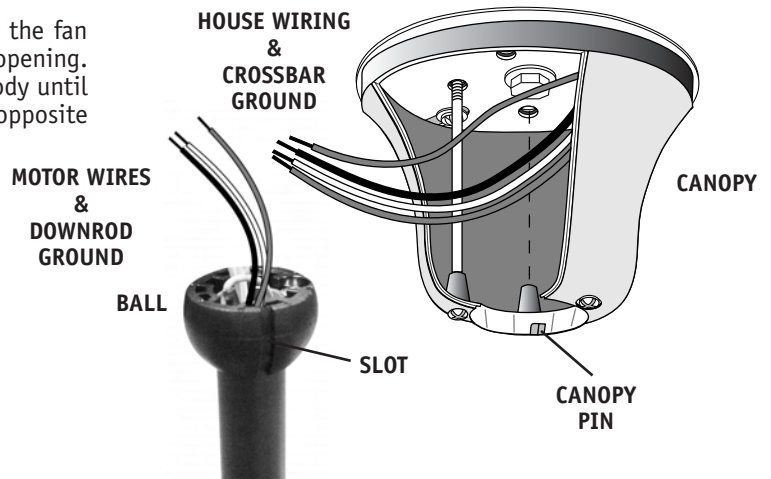


KEY HOLE SLOT

## HANGING THE FAN

**Step 19.** To hang the fan body in the canopy, hold the fan body firmly and insert the nylon ball into the canopy opening. Check that no wires were pinched. Rotate the fan body until the slot in the nylon ball engages the canopy pin opposite the canopy hatch opening.

Fan weighs 40 lbs.

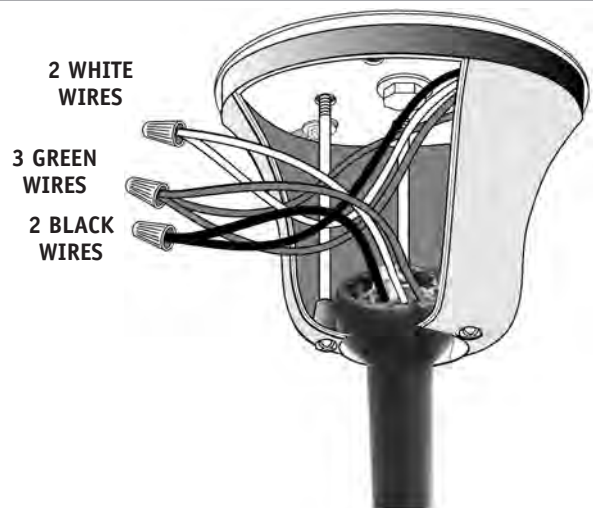


## CANOPY ELECTRICAL CONNECTIONS

**Step 20.** Connect the fan wires to the outlet box wiring by placing the bare ends of the wires together and then securing with a wire nut. Connect in this order:

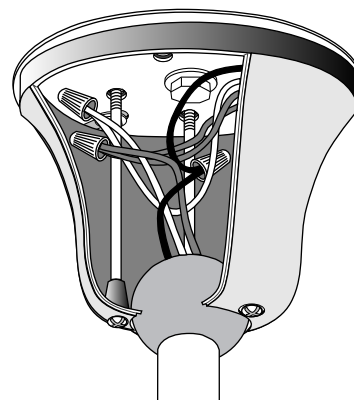
- GREEN leads from mounting plate and fan to GROUND conductor of power source. Secure with wire nut.
- WHITE wire from fan to white NEUTRAL wire in ceiling fixture outlet box. Secure with wire nut.
- BLACK wire from fan to black POWER wire in ceiling fixture outlet box. Secure with wire nut.

Inspect each wire nut and ensure that no bare wire is visible; pull on each wire to test the connection is mechanically sound.



## WIRE DRESSING

**Step 21.** Tuck the wires into the canopy, wire nuts pointed upwards, the WHITE and GREEN wires on the opposite side from the BLACK wires. Keep all wires clear of the canopy opening.

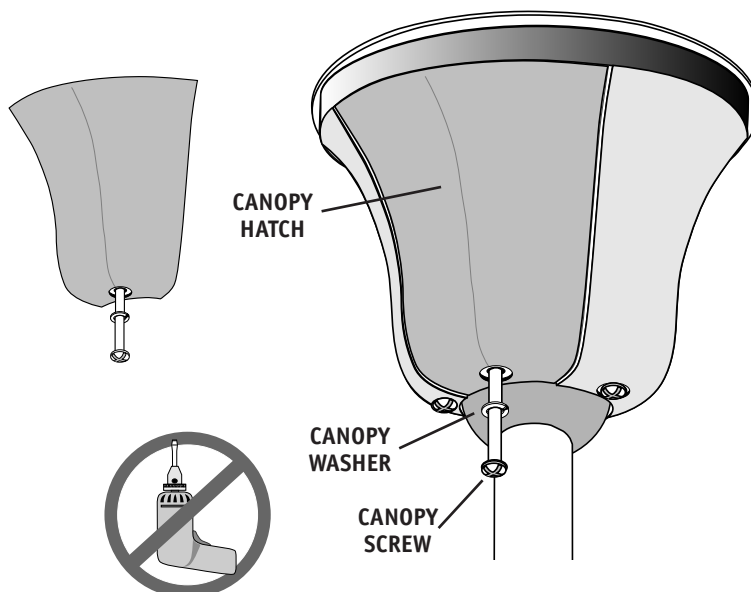


## CANOPY HATCH INSTALLATION

**Step 22.** Install canopy hatch with the last canopy screw and lock washer. To do this, partially insert the canopy screw and lock washer before aligning the hatch on the canopy.

**TIP:** Have an assistant tilt the fan away from the hatch side of the canopy.

**Step 23.** If necessary, straighten the fan, then check to ensure that there is no movement between the canopy and ceiling or ball and downrod.



## INSTALLING THE FINIAL

**NOTE:** If you have purchased the optional exclusive light fixture for this fan, please go to Step 26. If not please continue with Step 24.

**Step 24.** Take the light wires one at a time and tuck them into the pipe opening as shown.



## INSTALLING THE FINIAL

**Step 25.** Install the finial onto threads and turn clockwise until snug.



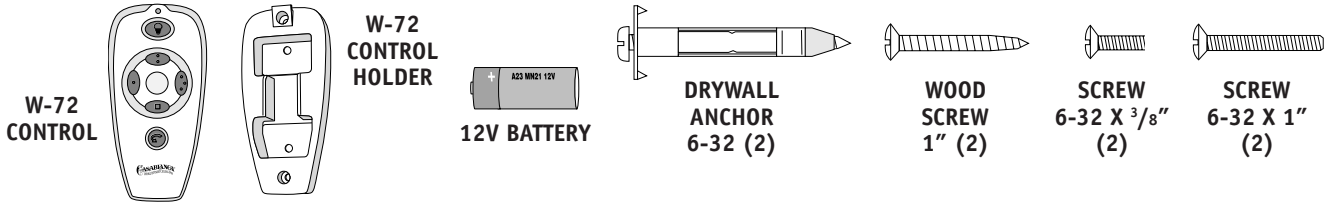


# VERSA•TOUCH2®

## SAFETY FIRST

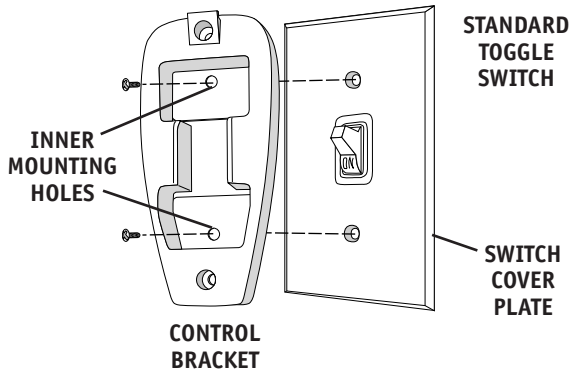
**Warning:** To reduce the risk of electrical shock, this fan must be installed with an isolating wall control/switch.

### VERSA•TOUCH2 ♦ INSTALLATION



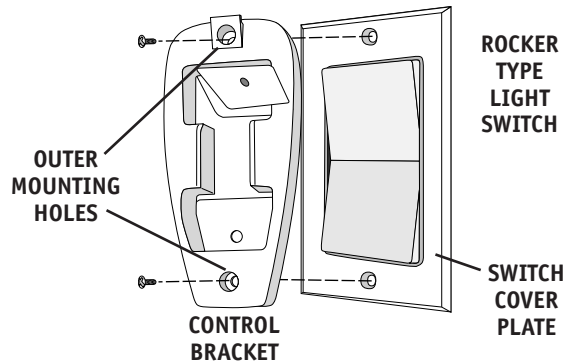
### VERSA•TOUCH2 ♦ CONTROL BRACKET INSTALLATION

**CAUTION!** Do not use with wall dimmer.



#### Standard Light Switch

- Step A.** Remove the two screws holding the switch cover plate. Do not remove the cover plate.
- Step B.** Orient the control bracket as shown and line up the two inner mounting holes with those on the switch.
- Step C.** Install and tighten screws by *hand* only.

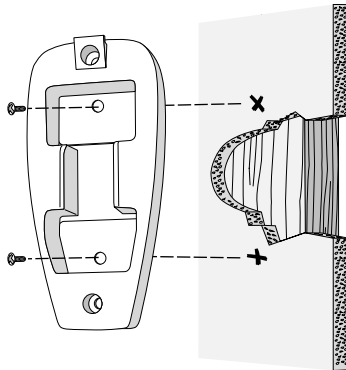


#### Rocker Light Switch

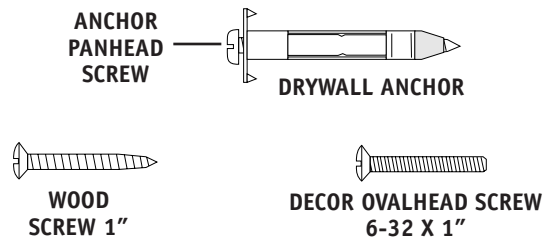
- Step A.** Break off the two tabs by pushing outward.
- Step B.** Remove the two screws holding the switch cover plate. Do not remove the cover plate.
- Step C.** Orient the control bracket as shown and line up the two inner mounting holes with those on the switch.
- Step D.** Install and tighten screws by *hand* only.

#### Wall Installation

- Step A.** Locate a 2x4 wall stud in a convenient location.
- Step B.** Orient the control bracket as shown over the 2x4 stud.
- Step C.** Use the 1" wood screws in either the inner or outer mounting holes. Install and tighten screws by *hand* only.



**Note:** The wall anchors and 6-32 x 1" screws may be used in situations where mounting to a stud is not possible. Use the inner mounting holes. After securing the anchor, discard the anchor's pointed screws and use the 6-32 decor ovalhead screws supplied.



*Changes or modifications not expressly approved in writing by Casablanca Fan Co. may void the user's authority to operate this equipment.*

This device complies with RSS-210 of Industry Canada. Operation is subject to the following two conditions: (1) this device may not cause interference, and (2) this device must accept any interference, including interference that may cause undesired operation of the device.



## VERSA•TOUCH2 OPERATION

### Fan Control

To start the fan. Press the selected speed button to run the fan at the desired speed.

**LO=Low speed MED=Medium speed HI=High speed**

To turn off the fan. Press the **FAN OFF** button.

### Airflow Direction

To reverse the airflow press the **REVERSE** button. Reverse operates at any speed whether fan is on or off. The fan returns to its set speed after reversing.

### Light Control

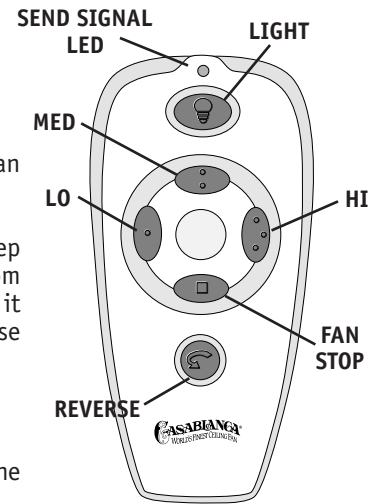
Turn the light on or off independently from the fan by pressing the **LIGHT** button. Keep pressing the button in excess of 0.7 seconds, it becomes a dimmer. The light varies from 'bright' to 'dim' over approximately 8 seconds. This sequence will reverse the light when it reaches the brightest or dimmest level if you continue to hold the **LIGHT** button. Release the button when the desired level is reached.

### Memory Feature

The last light function and fan speed will resume when power is turned back on.

### Auto Resume

Quick (pressing less than 0.7 seconds) on/off operation of the **LIGHT** button maintains the desired brightness level set previously.



## VERSA•TOUCH2 ♦ CHANGING FREQUENCY SETTING

**Note:** All fans leave the factory set to '00000'.

You will only have to change the dip switch settings in the remote if you are using more than one fan in the same area and want to control them separately.

**Step 1.** At the circuit breaker or fuse box, turn the power off for the fan you want to change.

**Step 2.** Open the battery door of the Versa•Touch control and remove the batteries.

**Step 3.** Change the dip switch settings, assuring that they are different from the previously installed Versa•Touch fan.

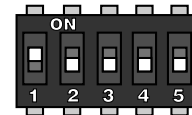
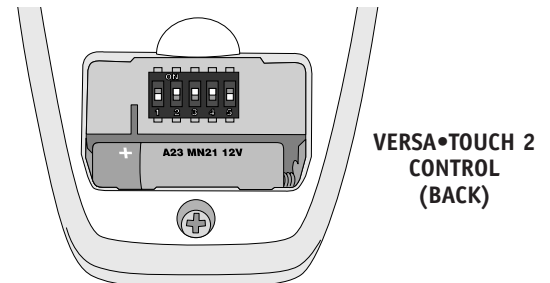
**Step 4.** Re-install the batteries and the battery door on the control.

**Step 5.** At the circuit breaker or fuse box, turn the power back on for the fan whose frequency you are changing.

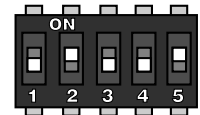
**Step 6.** Within 20 seconds of restoring power, push the Hi, Med, and Lo buttons (in that order).

**Note:** You may want to label your controls to assure you do not mix them up.

**WARNING:** Do not turn the power off at the circuit breaker, then back on, for the previously installed Versa•Touch 2 fan(s), as you may inadvertently change the frequency settings for it as well.



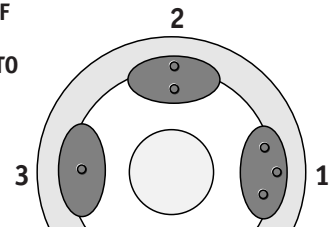
DIP SWITCH  
SET TO '10000'



DIP SWITCH  
SET TO '01001'

WITHIN 20 SECONDS OF  
TURNING THE FAN ON,  
PRESS IN THIS ORDER TO  
SET NEW FREQUENCY:

1. HI
2. MED
3. LO



## VERSA•TOUCH2 ♦ IF FAN DOES NOT WORK

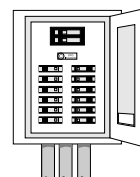
**If the fan is not functioning after installation:**

**Step 1.** Check to make sure that batteries are installed correctly in the control.

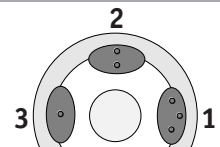
**Step 2.** Turn the power off to the fan (from the circuit breaker) for at least 5 seconds.

**Step 3.** Turn the power back on (at the circuit breaker) and push the Hi, Med, and Low buttons—in that order—within 20 seconds.

**Step 4.** The fan should now function properly.



CIRCUIT BREAKER  
OR FUSE BOX



PRESS IN THIS ORDER TO SET NEW  
FREQUENCY:  
1. HI 2. MED 3. LO

## TROUBLESHOOTING TIPS

Please refer to this troubleshooting guide before requesting service or contacting your dealer for assistance.

<b>PROBLEM</b>	<b>POSSIBLE REMEDIES</b>
Fan will not start	<ul style="list-style-type: none"> <li>• Check the main circuit fuses, circuit breakers, and wall switch position. Check all wire connections. Make sure the power is turned off during this inspection.</li> <li>• The 9-pin connector is not making good contact. Check the 9-pin connector in the receiver mounted in the switch housing.</li> <li>• The battery is weak. Install a fresh battery.</li> <li>• The fan receiver is defective. Replace fan receiver.</li> <li>• Check the frequency setting: Turn the power off at the circuit breaker, only for the fan that is not functioning. Check that the jumper switches match in both the receiver and the transmitter.</li> </ul>
Fan wobbles or shakes excessively	<ul style="list-style-type: none"> <li>• Be sure the canopy pin is set properly into the slot on the ball.</li> <li>• Check that the bladeholders have not been bent during installation and the blades are balanced.</li> <li>• The hanger bracket and/or ceiling outlet are attached too loosely. Make sure the hanger bracket is attached tightly to the ceiling outlet box and the downrod assembly is secured firmly.</li> <li>• The downrod is attached to downrod base too loosely. Make sure all the screws are securely tightened.</li> </ul>
Fan is noisy during operation	<ul style="list-style-type: none"> <li>• Check and tighten the light fixture retaining screws, glass shade screws, and/or lightbulb(s).</li> <li>• Tighten the canopy screws and mounting plate assembly. Make sure the wire nuts inside the canopy and switch housing are not touching the metal parts and that they have not fallen off the wire splices. Tighten as necessary.</li> <li>• Tighten the blade holders to the flywheel (or direct drive motor) and the blades to the bladeholder screws.</li> <li>• Make sure all screws in the motor housing are snug but not overly tight.</li> </ul>
Fan does not run on low speed	<ul style="list-style-type: none"> <li>• If fan is new, it may need to be "broken in." Run at high speed for several days.</li> </ul>
Battery life is short	<ul style="list-style-type: none"> <li>• Replace with alkaline batteries.</li> </ul>
Light works, but fan does not work	<ul style="list-style-type: none"> <li>• Pin connectors are not making good contact, check 9-pin connector under top cover.</li> </ul>
Fan and light run only on full speed	<ul style="list-style-type: none"> <li>• The fan receiver is defective. Replace fan receiver.</li> </ul>
Fan is missing one speed	<ul style="list-style-type: none"> <li>• The fan receiver is defective. Replace fan receiver.</li> </ul>
Fan does not change speed, but light works	<ul style="list-style-type: none"> <li>• The fan receiver is defective. Replace fan receiver.</li> </ul>
Reverse does not work	<ul style="list-style-type: none"> <li>• The fan receiver is defective. Replace fan receiver.</li> </ul>
Fan starts working by itself	<ul style="list-style-type: none"> <li>• There is frequency interference. Change frequency as described on Page 13.</li> </ul>
Fan operates only when transmitter is close	<ul style="list-style-type: none"> <li>• Check that antenna wire is not touching metal plate.</li> </ul>
Fan works, but light does not dim	<ul style="list-style-type: none"> <li>• The fan receiver is defective. Replace fan receiver.</li> </ul>
Fan works, but light does not work	<ul style="list-style-type: none"> <li>• The fan receiver is defective. Replace fan receiver.</li> <li>• The light socket is broken. Replace socket.</li> <li>• A lightbulb is defective. Replace lightbulb.</li> </ul>



## CARE RECOMMENDATIONS

### Fan Finishes

- For cleaning, a soft brush or lint-free cloth should be used to prevent scratching the finish.
- A vacuum cleaner brush nozzle can remove heavier dust.
- Surface smudges or an accumulation of dirt and dust can be removed easily by using a mild detergent and slightly dampened soft cloth. An antistatic agent may be used, but *never use abrasive cleaning agents* as these will damage the finish.

### Blades

- Wood-finish blades should be cleaned with a furniture polishing cloth. Occasionally, a light coat of furniture polish may be applied for added protection and beauty.
- For painted and high-gloss blades, surface smudges or an accumulation of dirt and dust can be removed easily by using a mild detergent and slightly dampened soft cloth. An antistatic agent may be used, but *never use abrasive cleaning agents* as these will damage the finish.

### No Need for Lubrication

- *Never lubricate this fan!* The precision motor at the heart of your Casablanca fan features sealed bearings that are lubricated for life.
- Do not attempt to oil the motor.

### Changing Lightbulbs

- Be sure to turn the power to OFF at the wall switch or circuit breaker before changing lightbulbs.
- Replace bulbs with the same type as you removed from the light fixture.
- The maximum wattage rating for this fan's light kit is 100 watts.

For questions or to locate the nearest Casablanca Authorized Service Center call toll free: 1-888-227-2178 or visit us on the web at: [www.casablancafanco.com](http://www.casablancafanco.com)

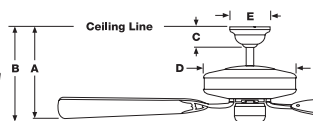
1. This device complies with Part 15 of the FCC Rules. Operation is subject to the following two conditions: (1) this device may not cause harmful interference, and (2) this device must accept any interference received, including interference that may cause undesired operation.

2. This equipment has been tested and found to comply with the limits for a Class B digital device, pursuant to Part 15 of the FCC Rules. These limits are designed to provide reasonable protection against harmful interference in a residential installation. This equipment generates, uses and can radiate radio frequency energy and, if not installed and used in accordance with the instructions, may cause harmful interference to radio communications. However, there is no guarantee that interference will not occur in a particular installation. If this equipment does cause harmful interference to radio or television reception, which can be determined by turning the equipment off and on, the user is encouraged to try to correct the interference by one or more of the following measures: Reorient or relocate the receiving antenna, increase the separation between the equipment and receiver, connect the equipment into an outlet on a circuit different from that to which the receiver is connected, consult the dealer or an experienced radio/TV technician for help. Note: Any changes or modifications to the transmitter or receiver not expressly approved by Casablanca Fan Company may void one's authority to operate this remote control.

## PRODUCT SPECIFICATIONS

Model Name:	Marrakesh™	Motor:	188 x 20mm Direct Drive™
Model Number:	89UXXM	Blade Span:	64"
Dimensions:	A = 9.25"	Blade Iron Pitch:	14°
	B = 20"	No. of Blades:	3
	C = 4"	Technology:	Versa•Touch2® W-72
	D = 19.75"	Optional Light Fixture:	Exclusive KG89 Light Fixture (1) 100-watt halogen lightbulb
	E = 5.6"		
Weight:	40 lbs.	Airflow:	7,900 cfm
		Electricity Use:	84 watts
		Airflow Efficiency:	85 cfm/watt

NOTE: Dimension B includes light fixture and glass.



\* Performance data is for fan only. No lighting wattage is included.

## Free Manuals Download Website

<http://myh66.com>

<http://usermanuals.us>

<http://www.somanuals.com>

<http://www.4manuals.cc>

<http://www.manual-lib.com>

<http://www.404manual.com>

<http://www.luxmanual.com>

<http://aubethermostatmanual.com>

Golf course search by state

<http://golfingnear.com>

Email search by domain

<http://emailbydomain.com>

Auto manuals search

<http://auto.somanuals.com>

TV manuals search

<http://tv.somanuals.com>