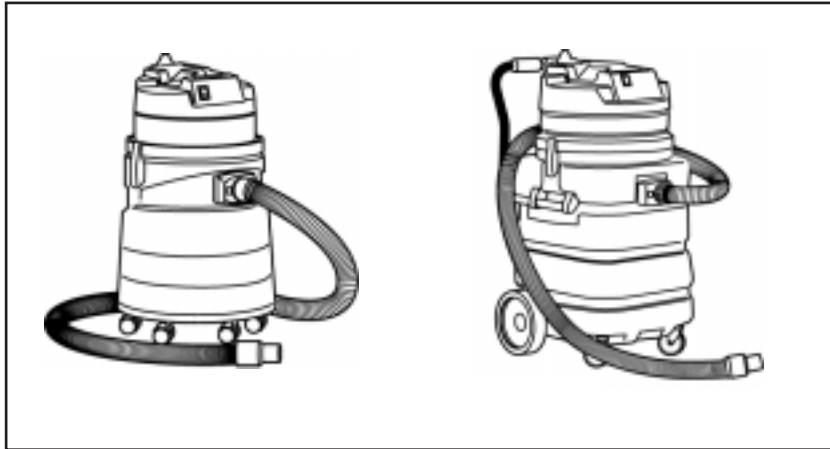


# WDV

# CENTURY 400™



Operating Instructions

**MODELS: WDV10  
WDV16**

**QUEST®** ... for Continuous Improvement.  
Windsor's Quality Management System is Certified ISO 9001.



*Read ALL instructions before using the machine.*



980198 05/04

---

# IMPORTANT SAFETY INSTRUCTIONS

When using an electrical appliance, basic precaution must always be followed, including the following:

## READ ALL INSTRUCTIONS BEFORE USING THIS MACHINE.

This machine is for commercial use.

## WARNING



**DANGER:** Failure to read and observe all DANGER statements could result in severe bodily injury or death. Read and observe all DANGER statements found in your Owner's Manual and on your machine.



**WARNING:** Failure to read and observe all WARNING statements could result in injury to you or to other personnel; property damage could occur as well. Read and observe all WARNING statements found in your Owner's Manual and on your machine.



**CAUTION:** Failure to read and observe all CAUTION statements could result in damage to the machine or to other property. Read and observe all CAUTION statements found in your Owner's Manual and on your machine.

---



**DANGER:** Failure to read the Owner's Manual prior to operating or attempting any service or maintenance procedure to your machine could result in injury to you or to other personnel; damage to the machine or to other property could occur as well. You must have training in the operation of this machine before using it. If you or your operator(s) cannot read English, have this manual explained fully before attempting to operate this machine.



**DANGER:** Operating a machine that is not completely or fully assembled could result in injury or property damage. Do not operate this machine until it is completely assembled. Inspect the machine carefully before operation. Use only as described in this manual. Use only the manufacturer's recommended attachments.



**DANGER:** Machines can cause an explosion when operated near flammable materials and vapors. Do not use this machine with or near fuels, grain dust, solvents, thinners, or other flammable materials.



**DANGER:** **Do not** pick up flammable fluids, dust or vapors.



**DANGER:** **Do not** vacuum anything that is burning or smoking, such as cigarettes, matches, or hot ashes.



**DANGER:** This machine **is not** suitable for picking up health endangering dust.



**DANGER:** Using a machine with a damaged power cord could result in an electrocution. Do not use the machine if the power cord is damaged. Do not use the electrical cord to move the machine. Keep cord away from heated surfaces. Do not unplug by pulling on the cord; grasp the plug, not the cord. Turn off all controls before unplugging. Do not close a door on cord or pull around sharp edges or corners.



**DANGER:** Electrocutation could occur if maintenance and repairs are performed on a unit that is not properly disconnected from the power source. Disconnect the power supply before attempting any maintenance or service.



**WARNING:** Operating a machine without observing all labels, decals, etc., could result in injury or damage. Read all machine labels before attempting to operate the machine. Make sure all of the labels are attached or fastened to the machine. Get replacement labels and decals from the manufacturer's distributor.



**WARNING:** Electrical components can "short-out" if exposed to water or moisture. Keep the electrical components of the machine dry. Always store the machine in a dry area.



**WARNING:** Use of this machine to move other objects or to climb on could result in injury to the operator or damage to the machine. Do not use this machine as a step or furniture. Do not allow to be used as a toy. Close attention is necessary when used by or near children.



**WARNING:** Moving parts of this machine can cause injury and/or damage. Keep hands, feet, loose clothing, hair, fingers, and all parts of the body away from openings and moving parts.



**WARNING:** Electrocutation could occur if you handle the plug or appliance with wet hands. Do not handle plug or appliance with wet hands.



**WARNING:** The machine employs a removable float for wet pick-up operation to reduce risk of electric shock. Always install float before any wet pick-up operation.



**WARNING:** Rotating fan blades inside the cover. Before opening cover, switch off machine. Wait until the fan/brush stops completely or dust and debris may be ejected.



**WARNING:** If the machine is **not working properly**, has been dropped, damaged, left outdoors, or dropped into water, return it to an Authorized service center.



**WARNING:** Damage could occur to machine if openings are blocked. Do not put any object into openings. Do not use with any opening blocked; keep free of dust, lint, hair, and anything that may reduce air flow.



**WARNING:** Injury could occur to the operator or the machine if used without the dust bag and/or filters. Do not use the machine without the dust bag and/or filters in place.



**WARNING:** Injury to the operator and/or damage to the machine could occur when cleaning on stairs, unless extra caution is used. Use extra caution when cleaning on stairs.



**WARNING:** To reduce the risk of electrical shock, always use a 3-wire electrical system connected to the electrical ground. Whenever possible connect the machine to an outlet protected by a ground fault interrupter (GFCI). See "Grounding Instructions."

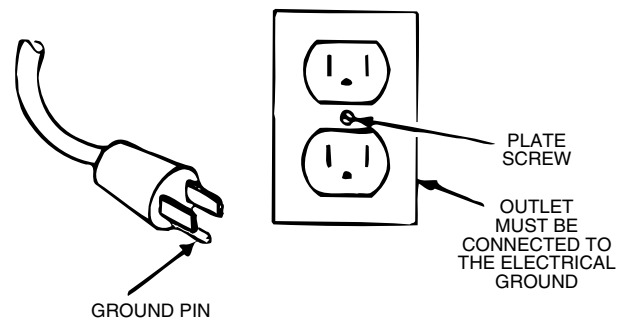
## SAVE THESE INSTRUCTIONS

---

## 120 Volt Machine Instructions For Connection To The Power Supply And The Electrical Ground

This machine must be connected to the electrical ground to protect the operator from electric shock. The machine has an approved power cord with three conductors and a plug with three terminals. Connect the plug to a receptacle that has three holes and is connected to the electrical ground. The green (or green and yellow) conductor in the cord is the ground wire. Never connect this wire to any terminal other than the ground terminal.

This machine uses a 120 volt AC 60 cycle electrical circuit. Make sure you have the correct frequency and voltage before connecting the power cord to an outlet. The machine has a plug as shown in Figure 1. If a receptacle connected to the electrical ground as shown in Figure 1 is not available, have one installed by an electrical contractor. Do not use an adapter.



**WARNING:** To reduce the risk of electric shock, protect the machine from rain. Keep the machine in a dry area.



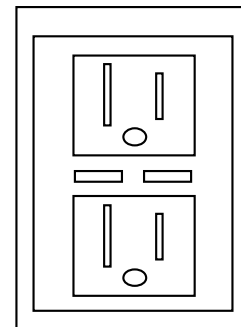
**WARNING:** To reduce the risk of electric shock, always use a 3-wire electrical system connected to the electrical ground. Whenever possible connect the machine to an outlet protected by a ground fault interrupter (GFCI).



**WARNING:** Do not cut, remove or break the ground pin. If the outlet does not fit the plug, consult your electrical contractor.



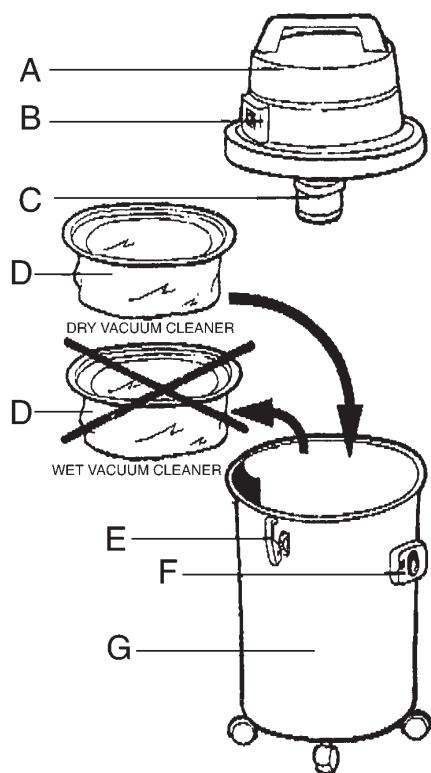
**WARNING:** Have worn, cut or damaged cords and plugs replaced by an authorized service person.



GFCI Outlet

## VACUUM AND ACCESSORIES

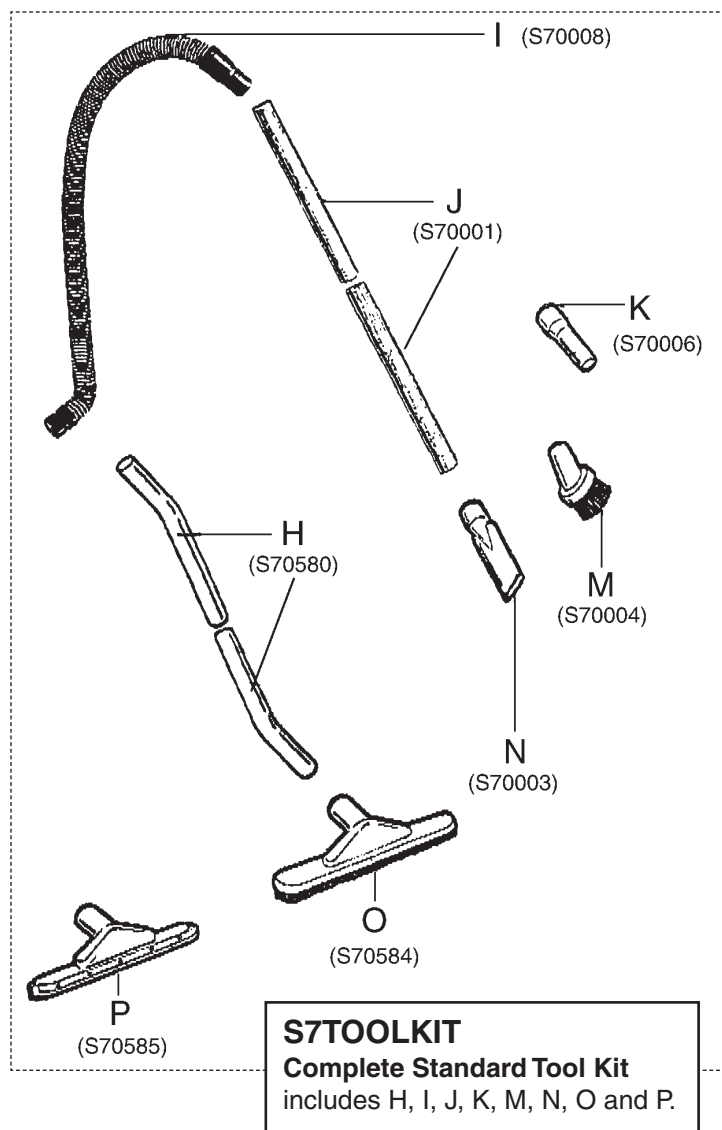
- A Motor Block
- B On/Off Switch
- C Float: Keeps liquid out of Motor Block
- D Polyester Filter: Remove for use with liquids
- E Hooks: Secure Motor Block to Tank
- F Suction Inlet
- G Tank
- H 2-pc. Chrome Wand
- I 10-ft. x 1-1/2" Flexible Hose
- J 2-pc PVC Wand
- K Universal Adapter
- M 3" Round Brush
- N Crevice Tool
- O 16" Brush
- P 16" Squeegee



**ATTENTION:** The Polyester Filter must be cleaned after each use to maintain efficient suction.

## IMPORTANT INSTRUCTIONS

- Before use, the equipment must be correctly assembled with all its components.
- Check that electrical outlet is correct for use with the plug on the machine.
- Before connecting, check that the specified motor voltage corresponds to the main voltage available.
- Never use the equipment near inflammable, explosive or toxic substances: sparks from the motor could cause dangerous reactions.
- Always unplug the machine from electrical outlet when leaving machine unattended or before attempting any repair.
- Service and repair should be done by qualified personnel only. Use only original manufacturer's replacement parts.



## OPERATION

This machine is a commercial vacuum designed for wet and dry pick-up.

Dry soil can be vacuumed directly into the tank. To empty the tank of dry soil, remove the top and dump into trash receptacle.

For wet pick-up, remove polyester filter. The machine is equipped with a float shut-off. As the tank is filled to capacity, a float rises and seals the vac intake, causing loss of vacuum. Switch off the vacuum when this happens and bring the machine to a floor drain.

Use the convenient drain hose at the back of the vacuum to empty the tank.

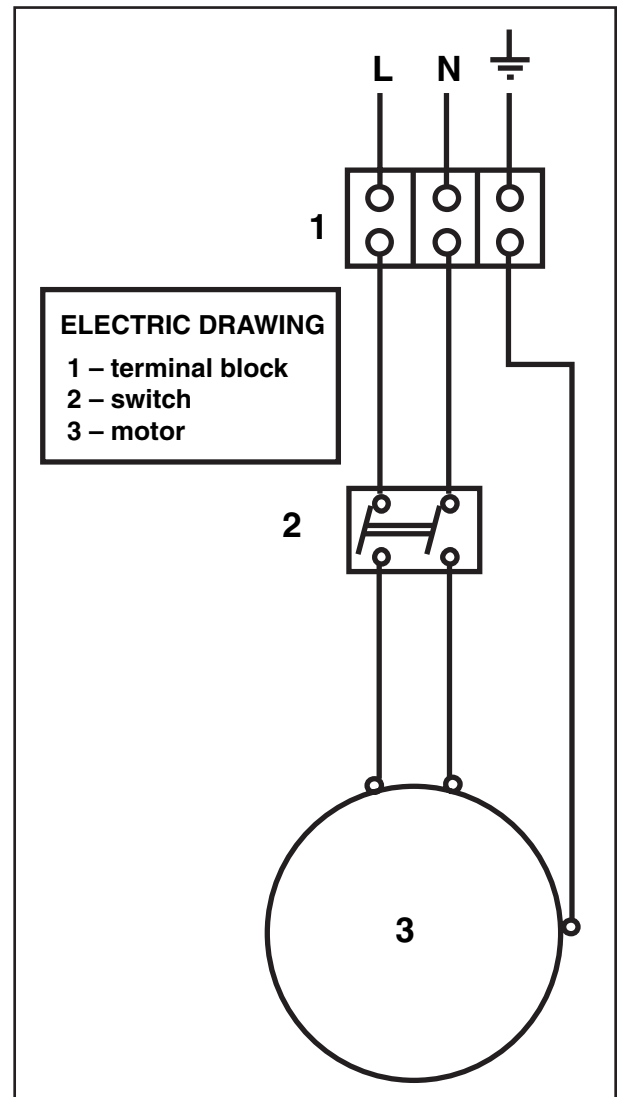
With both wet and dry applications be sure to frequently clean the filter. This is especially true when the vacuum is being used with strippers and wax.

## DAILY MAINTENANCE

**Caution: Strippers and some detergents produce foam which will damage the vac motors. The vac shut-off may not be sensitive to all foams. Be sure to check that the tank is not filling with foam. Use a defoaming agent to avoid pulling foam through vac motor. Should vac motor become wet, remove source of overflow and immediately run vac motor open to dry.**

### *At the end of each working day:*

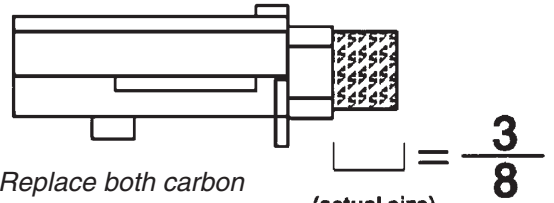
1. After each use, rinse tank with fresh water. Periodically inspect the recovery tank and decontaminate if necessary, using a Hospital Grade Virucide or a 1:10 bleach to water solution. Waste water should be disposed of properly.
2. Remove head assembly and allow tank to dry.
3. Remove filters for cleaning or to allow to dry.
4. Inspect hoses for wear. Frayed or cracked hoses should be replaced to avoid vacuum loss.
5. Inspect power cord for wear. This cable will lay on wet surfaces. To prevent electrical shock replace cords with frayed or cracked insulation immediately.



## PERIODIC MAINTENANCE

### *(Every six to twelve months):*

1. Check filter for wear, replace dirt saturated filters that do not respond to normal cleaning.
2. Inspect gasket seals and replace those which have begun to leak.
3. Examine carbon motor brushes and commutator.



Replace both carbon brushes when either is (actual size) less than  $\frac{3}{8}$ " long. (PN S8TOEG845)

## SERVICING THE FILTER

The filter is accessed by lifting the head assembly off the tank.

Polyester filter is easily removed by simply lifting the filter basket out of the tank.

Cartridge filters – Remove the filter retainer by turning the black knob 90 degrees counter-clockwise.

Cartridge filter will then slide off of float assembly.

### **NOTE:**

Be sure to frequently clean the filter.

Allow filter to dry after being used for wet pick-up.

Filters used for wet pick-up including stripper must be thoroughly cleaned before being allowed to dry.

Worn filters can affect vacuum performance. Replace the filter when it becomes worn out and normal cleaning will not restore vac performance.

## SERVICING THE VAC MOTOR

### **MOTOR REPLACEMENT**

1. Disconnect power cord from power source.
2. To access the vac motor, remove the screws that attach the main cover to the head assembly and set the cover to one side.
3. Disconnect the motor's 2 red lead wires from the main switch.
4. Disconnect green/yellow wire by removing screw from motor core.
5. Remove the four motor mounting screws.
6. Remove motor plate and set aside.
7. Take out the motor and remove the upper and lower gaskets.
8. Inspect gaskets. If they shown any wear or tear in the material, replace.
9. Install gaskets onto new motor. Make sure gaskets are properly seated.
10. Install the new motor. Make sure foam mufflers are positioned properly.
11. Attach motor plate to motor.
12. Connect green/yellow wire to motor core.
13. Connect motor's 2 red lead wires to main switch.
14. Re-assemble vac cover.
15. Test for proper operation.

## SERVICING THE VAC MOTOR

### CARBON BRUSH REPLACEMENT

1. Disconnect power cord from power source.
2. To access the vac motor, remove the screws that attach the main cover to the head assembly and set the cover to one side.
3. Remove the motor cover by removing two screws. **See Figure 1**
4. Remove the wire terminal from carbon brush housing. **See Figure 2**
5. Remove the carbon brush assembly by removing the 2 screws that attach it to the vac motor. **See Figure 3**
6. Inspect armature commutator. If it is extremely pitted, grooved or not concentric then the motor will need to be replaced or sent to a qualified service center.
7. Slide the yellow brush housing from plastic holder. **See Figure 4**
8. Reverse steps 7 through 4 to install new brush and housing (part number S8TOEG845)
9. Repeat steps 4 through 8 for the other carbon brush.
10. Reverse steps 3 and 2 for re-assembly.
11. Test for proper operation

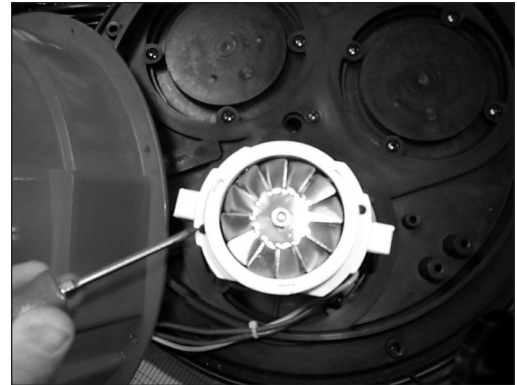


Fig. 1

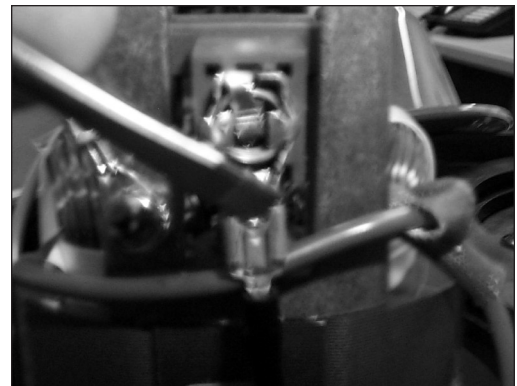


Fig. 2

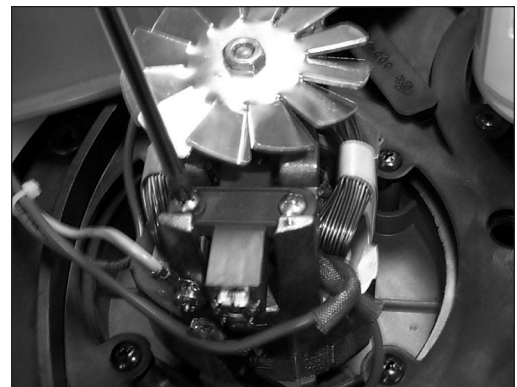


Fig. 3

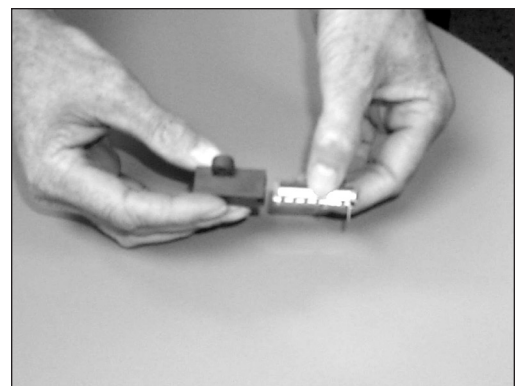
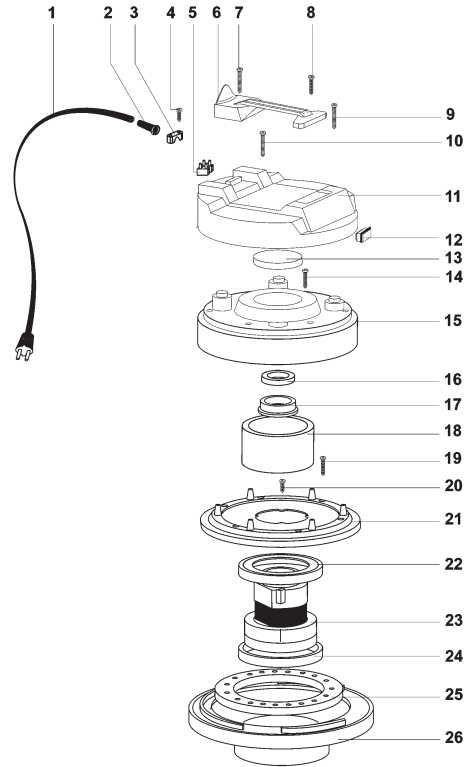


Fig. 4

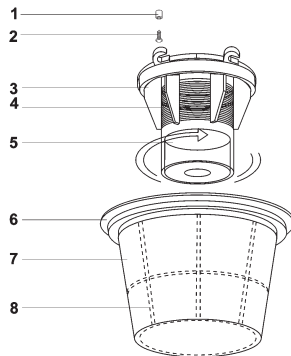


## WDV10 VACUUM MOTOR ASSEMBLY

No.	Part Num.	Description	Qty.
1.	S80466	Cord	1
2.	S80138	Strain Relief	1
3.	S80139	Terminal Clip	1
4.	S81006	Screw, 5 x 20	2
5.	S80450	Terminal Block	1
6.	S83733AUG6	Handle, Gray	1
7.	S82627	Screw, 5 x 40	4
8.	S81006	Screw, 5 x 20	2
9.	S81054	Screw, 5 x 30	2
10.	S81054	Screw, 5 x 30	2
11.	S83734AUG6	Cover, Gray	1
12.	S80326	Switch, On/Off	1
13.	S83937	Filter, Ø95	1
14.	S81050	Screw, 5 x 35	6
15.	S82738AUG6	Cover, Motor, Gray	1
16.	S83969	Gasket	1
17.	S80310	Ring	1
18.	S83900	Filter	1
19.	S82627	Screw, 5 x 40	6
20.	S81006	Screw, 5 x 20	4
21.	S82591AUG6	Motor Ring, Gray	1
22.	S83901	Gasket	1
23.	S80314	Motor	1
24.	S83901	Gasket	1
25.	S83866	Disk, Noise Reduction	1
26.	S81189GG6	Base, Motor, Gray	1



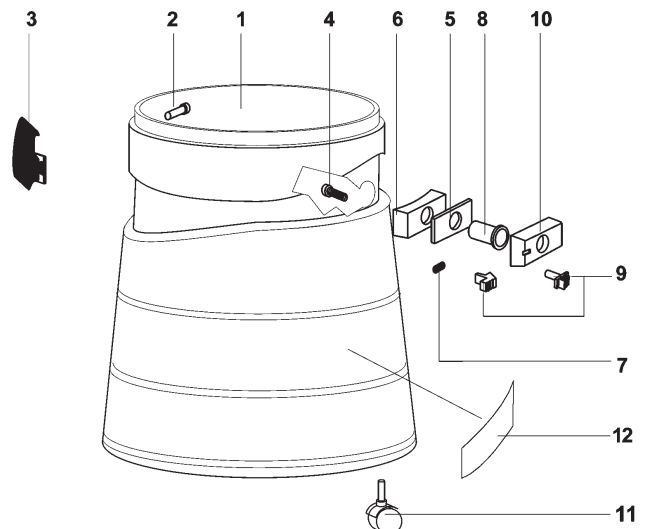
## WDV10 FILTER GROUP



No.	Part Num.	Description	Qty.
1.	S83706	Bushing	4
2.	S83724	Screw, 5 x 25	4
3.	S82823	Body, Filter Support	1
4.	S83138	Filter/Strainer	1
5.	S82676	Float	1
6.	S80123	Ring, Filter	1
7.	S82860	Filter Bag	1
8.	S82859	Support, Filter Bag	1

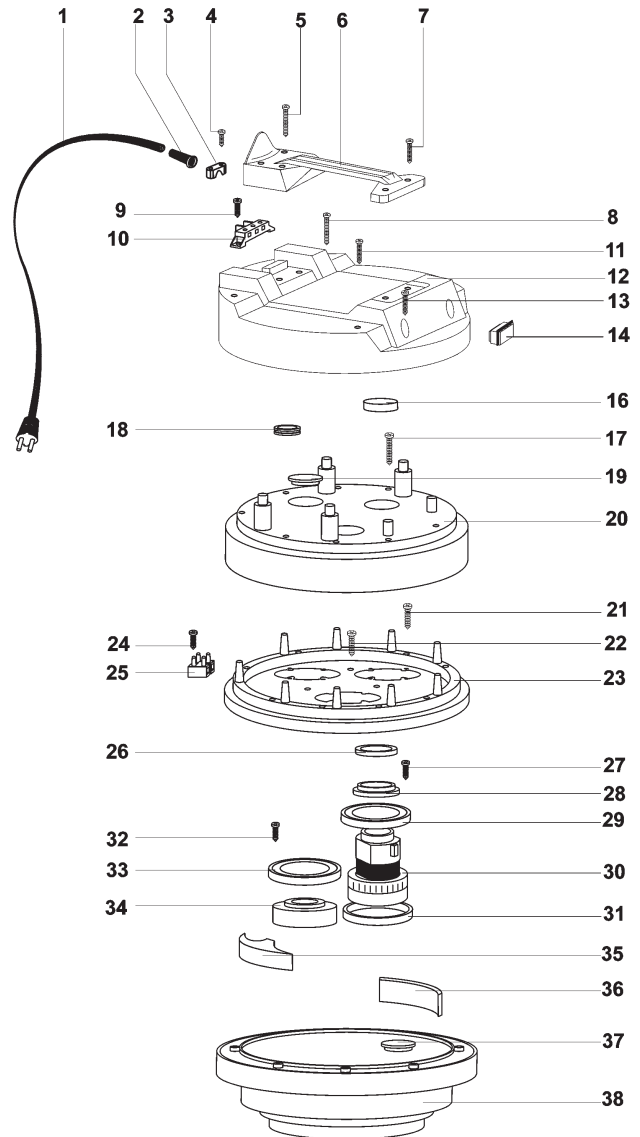
## WDV10 TANK ASSEMBLY

No.	Part Num.	Description	Qty.
1.	S82599	Tank	1
2.	S81300	Rivet, 5 x 24.5	4
3.	S81847G6	Tank Clamp	2
4.	S81050	Screw, M5 x 35	4
5.	S82846	Gasket	1
6.	S82585AG6BL	Retainer, Tank Adapter	1
7.	S82608	Spring, Push Button	1
8.	S82593	Tank Deflector	1
9.	S82594BL	Push Button, Two-Piece, Blue	1
10.	S82583AG6BL	Hose Adapter, Blue	1
11.	S80558	Caster	6
12.	T9031	Label, Century 400	1



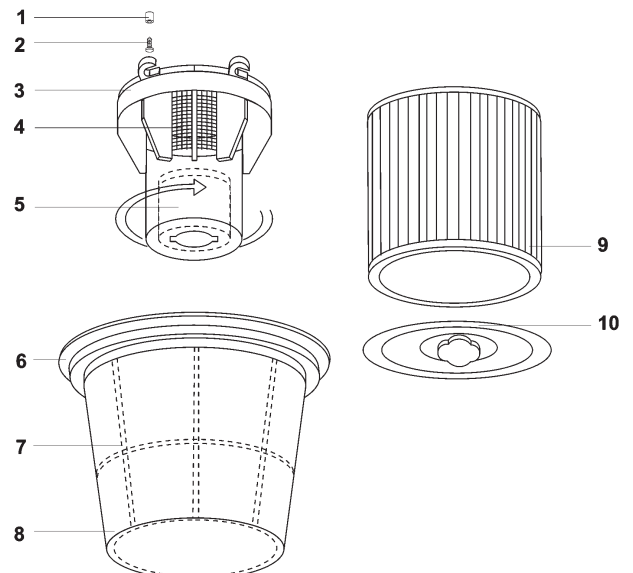
## WDV16 VACUUM MOTOR ASSEMBLY

No.	Part Num.	Description	Qty.
1.	S80466	Cord	1
2.	S80138	Strain Relief	1
3.	S80139	Bracket	1
4.	S81006	Screw, 5 x 20	2
5.	S81054	Screw, 5 x 50	4
6.	S86097AUG6	Handle, Gray	1
7.	S81979	Screw, 5 x 25	2
8.	S81054	Screw, 5 x 50	2
9.	S81005	Screw, 5 x 14	2
10.	S80490	Terminal Block	1
11.	S81006	Screw, 5 x 20	2
12.	S806070AUG6	Cover, Gray	1
13.	S81979	Screw, 5 x 25	2
14.	S80326	Switch, On/Off	1
16.	S83937	Filter	1
17.	S81054	Screw, 5 x 50	9
18.	S81502	Gasket	1
19.	S83383	Cap	2
20.	S82957AUG6	Cover, Gray	1
21.	S82627	Screw, 5 x 40	9
22.	S82627	Screw, 5 x 40	3
23.	S82937AUG6	Motor Base, Gray	1
24.	S81004	Screw, 3 x 19	1
25.	S80450	Terminal Block	1
26.	S83969	Gasket	1
27.	S81006	Screw, 5 x 20	4
28.	S80310	Ring	1
29.	S83901	L-Gasket	1
30.	S80314	Motor	1
31.	S83901	L-Gasket	1
32.	S81006	Screw, 5 x 20	8
33.	S83901	L-Gasket	2
34.	S83451	Motor Seal	2
35.	S82454	Filter	3
36.	S83456	Filter	3
37.	S83519	Base Plug	1
38.	S83108GG6	Base	1



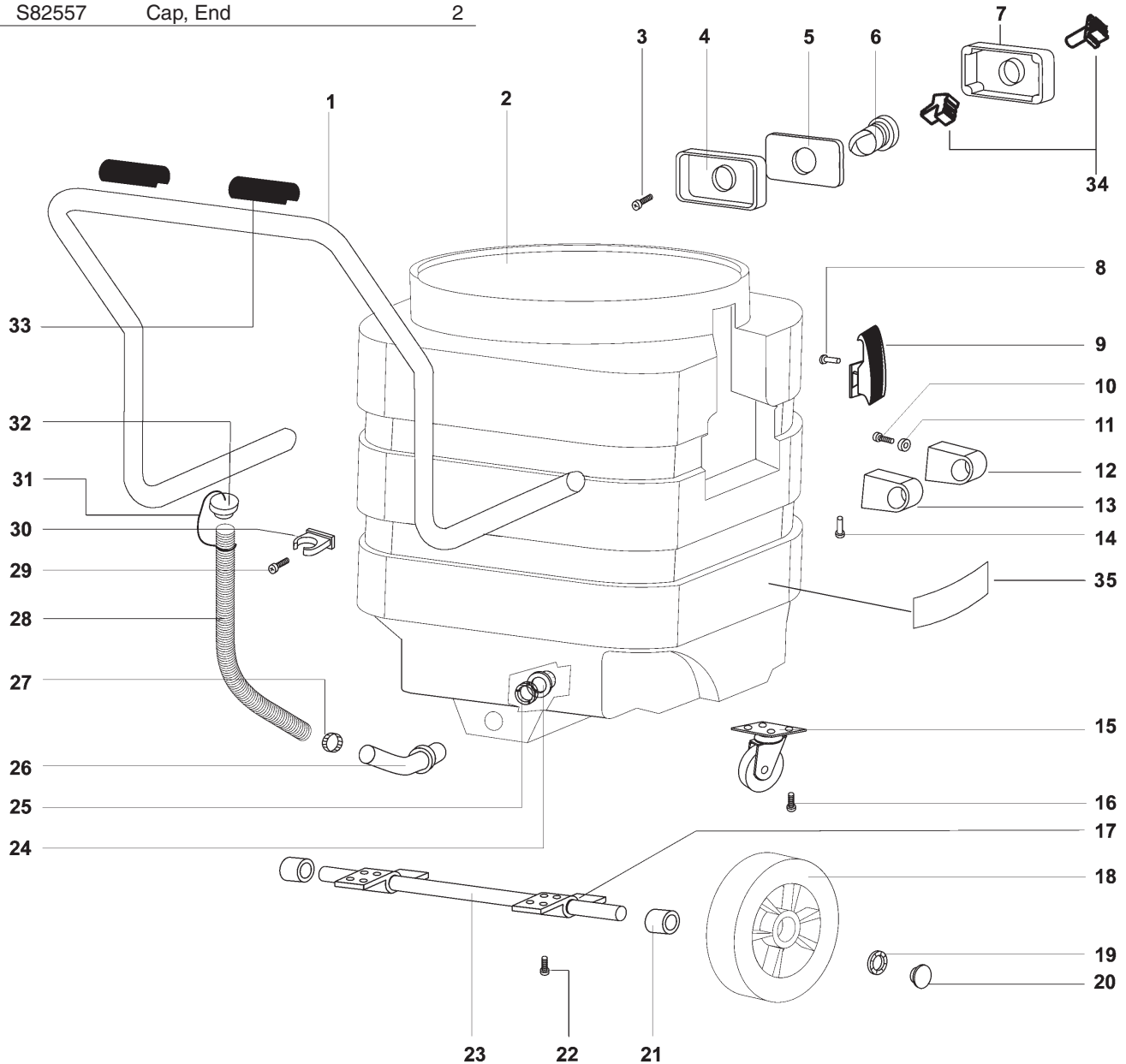
## WDV16 FILTER GROUP

No.	Part Num.	Description	Qty.
1.	S83706	Bushing	4
2.	S83724	Screw, 5x25	4
3.	S82823	Body, Filter Support	1
4.	S83117	Strainer	1
5.	S82676	Float	1
6.	S80473	Filter Ring	1
7.	S82845	Filter Bag	1
8.	S82833	Support, Filter	1
9.	S82852	Filter – OPTIONAL	1
10.	S82855	Filter Retainer – OPTIONAL	1

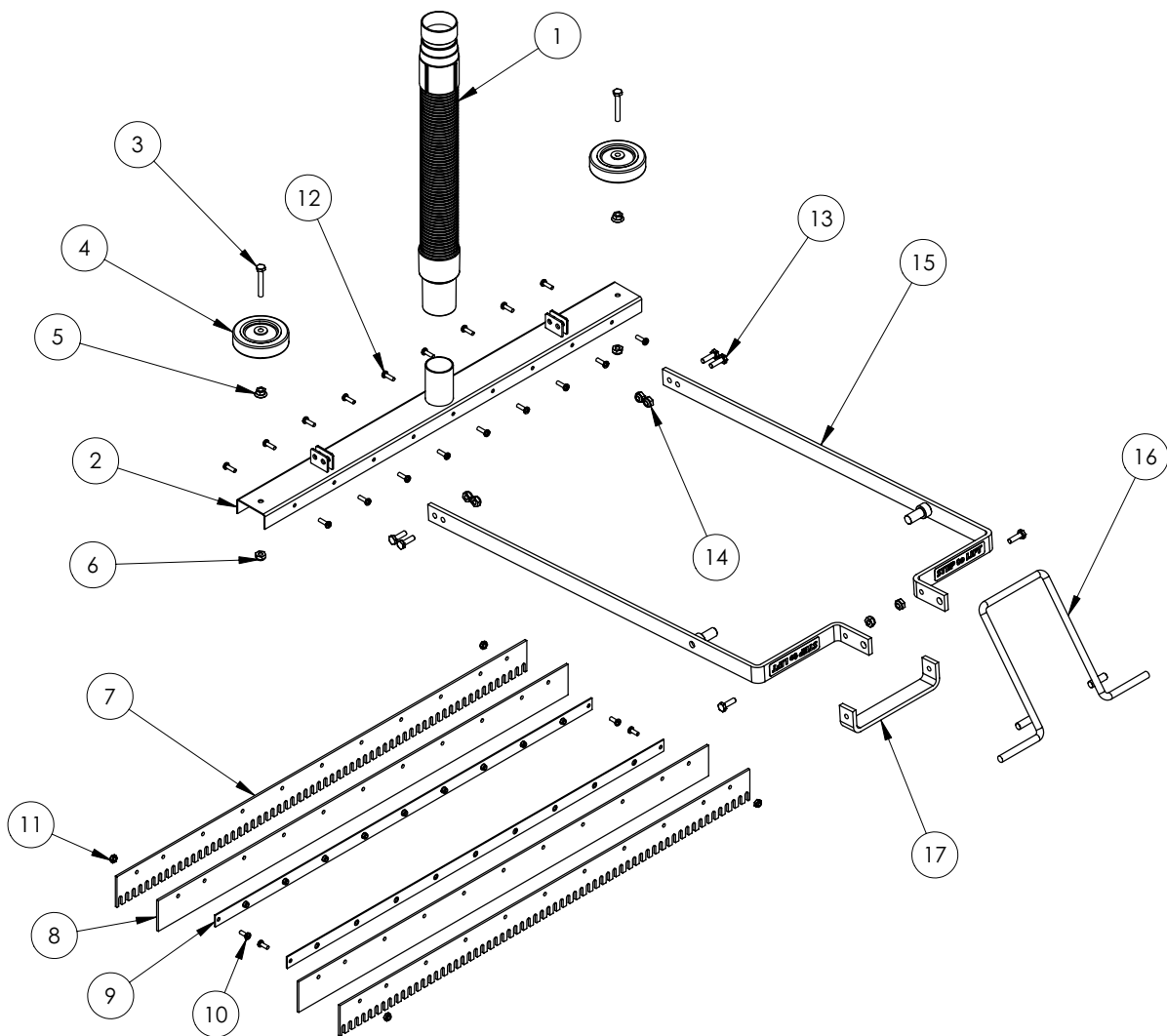


# WDV16 TANK ASSEMBLY

No.	Part Num.	Description	Qty.	No.	Part Num.	Description	Qty.
1.	S82558V	Handle	1	20.	S83835	Axle Cap	2
2.	S82637	Tank - 400	1	21.	S82607	Spacer, Wheel	2
3.	S82016	Screw, M5x30	4	22.	S81006	Screw, M5 x 20	8
4.	S82584AG6	Retainer, Tank	1	23.	S82555	Axle	1
5.	S82846	Gasket	1	24.	S80834	Nut, Flange, 1-1/4	1
6.	S82593	Deflector, Tank	1	25.	S80256	Gasket	1
7.	S82652AG6	Adapter	1	26.	S82763	Elbow	1
8.	S81300	Rivet, 5 x 24.5	4	27.	S83308	Clamp	1
9.	S81847G6	Clamp	2	28.	S82765	Drain Tube	1
10.	S81050	Screw, M8 x 15	8	29.	S83156	Screw, M5 x 20	1
11.	S83883	Plastic Washer	8	30.	S82788	Clip Tube	1
12.	S81072	Support, Handle	2	31.	S82812	Tie Rod, Plug	1
13.	S81860	Support	2	32.	S82764	Plug, Stopper	1
14.	S81302	Rivet, M5 x 19	2	33.	S86250	Handgrip	2
15.	S82559	Wheel Caster	2	34.	S82594	Push Button, Two-Piece, Red	1
16.	S82680	Screw, M8 x 15	8	35.	T9031	Decal, Century 400	1
17.	S82556	Support, Axle	2				
18.	S80904	Wheel	2				
19.	S82557	Cap, End	2				



## TSQ16 FRONT-MOUNTED SQUEEGEE



No.	Part Num.	Description	Qty.	No.	Part Num.	Description	Qty.
1.	BD705205	Hose Assembly	1	10.	BD735604	Blade End Screw, 10-32 x 1/2"L, SS	4
2.	BD715508	Housing	1	11.	BD735605	Blade End Screw Nut, 10-32, Nylock	4
3.	BD735608	Bolt, Guide Wheel, 1/4-20 x 1.75"L	2	12.	BD735603	Blade Attachment Screw, 10-32 x 5/8"L SS	18
4.	BD735607	Guide Wheel	2	13.	BD735612	Mounting Bolts, 1/4-20 x 3/4"L	6
5.	BD735611	Jam Nut, 1/4-20 serrated flanged	2	14.	BD735609	Nylock Nut, 1/4-20	6
6.	BD735609	Nylock Nut, 1/4-20	2	15.	BD705201	Lifting Arm	2
7.	BD735602	Slotted Blade	2	16.	BD705203	Latch	1
8.	BD735601	Solid Blade	2	17.	BD705202	Cross Member	1
9.	BD715509	Blade Support	2	2-12	BD705200	Complete squeegee assembly	1

## ACCESSORIES

- TSQ16 Front Mounted Squeegee
- S72741 Paper Bag
- S82845 Filter Bag, Standard
- S82852\* Filter Cartridge, Paper, Optional
- S76061\* Filter Cartridge, Washable Paper
- S82995\* Filter Cartridge, HEPA Equivalent
- S82855 Cartridge Filter Retainer

*\*also order S82855 Retainer with Filter*

## RECOMMENDED SPARE PARTS

- S8TOEG845 . . . . . Motor Brush
- S80326 . . . . . Switch, On/Off
- S82845 . . . . . Polyester Filter,
- S83117 . . . . . Strainer



Century 400, Inc., 325 S. Price Road, Chandler, AZ 85224 USA  
Phone: (800) 752-1777 Fax: (480) 786-5724

© 2004 Century 400, Inc. All rights reserved. REVISED 05/01/04.

T9033

## Free Manuals Download Website

<http://myh66.com>

<http://usermanuals.us>

<http://www.somanuals.com>

<http://www.4manuals.cc>

<http://www.manual-lib.com>

<http://www.404manual.com>

<http://www.luxmanual.com>

<http://aubethermostatmanual.com>

Golf course search by state

<http://golfingnear.com>

Email search by domain

<http://emailbydomain.com>

Auto manuals search

<http://auto.somanuals.com>

TV manuals search

<http://tv.somanuals.com>