

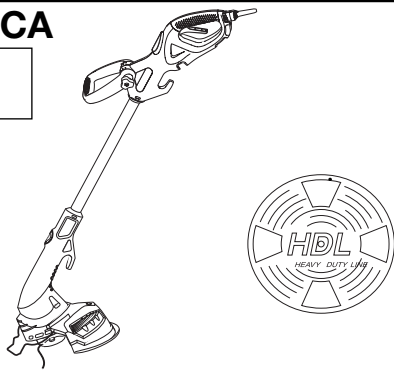
BLACK & DECKER®

14" Electric Dual Line Trimmer

INSTRUCTION MANUAL

ST7100-CA

Date Code:



BEFORE RETURNING THIS PRODUCT FOR ANY REASON PLEASE CALL

1-800-544-6986

IF YOU SHOULD EXPERIENCE A PROBLEM WITH YOUR BLACK & DECKER PRODUCT, CALL 1-800-544-6986

BEFORE YOU CALL, HAVE THE FOLLOWING INFORMATION AVAILABLE, CATALOG No., TYPE No., AND DATE CODE. IN MOST CASES, A **BLACK & DECKER** REPRESENTATIVE CAN RESOLVE YOUR PROBLEM OVER THE PHONE. IF YOU HAVE A SUGGESTION OR COMMENT, GIVE US A CALL. YOUR FEEDBACK IS VITAL TO BLACK & DECKER.

KEY INFORMATION YOU SHOULD KNOW:

- The guard must be installed before trimming - if not, the motor will overheat, and void your warranty.
- When replacing the line, use only 0.050" twisted line - otherwise the unit may not function properly.

SAVE THIS MANUAL FOR FUTURE REFERENCE

Cat No. ST7100-CA
Copyright © 2005 Black & Decker

Form No. 581180-06

DEC. '05
Printed in China

⚠ **WARNING: IMPORTANT SAFETY WARNINGS AND INSTRUCTIONS**

⚠ **WARNING:** When using electric gardening appliances, basic safety precautions should always be followed to reduce risk of fire, electric shock, and personal injury, including the following.

⚠ **WARNING:** Some dust created by this product contains chemicals known to the State of California to cause cancer, birth defects or other reproductive harm. Some examples of these chemicals are:

- compounds in fertilizers
- compounds in insecticides, herbicides and pesticides
- arsenic and chromium from chemically treated lumber

To reduce your exposure to these chemicals, wear approved safety equipment such as dust masks that are specially designed to filter out microscopic particles.

⚠ **WARNING:** This product contains chemicals, including lead, known to the State of California to cause cancer, and birth defects or other reproductive harm. Wash hands after handling.

⚠ **CAUTION:** Wear appropriate personal hearing protection during use. Under some conditions and duration of use, noise from this product may contribute to hearing loss.

READ ALL INSTRUCTIONS

TO REDUCE RISK OF INJURY:

- Before any use, be sure everyone using this tool reads and understands all safety instructions and other information contained in this manual.
- Save these instructions and review frequently prior to use and in instructing others.

⚠ **GENERAL SAFETY WARNINGS AND INSTRUCTIONS FOR ALL TOOLS**

- **ALWAYS WEAR EYE PROTECTION** – Wear safety glasses or goggles at all times when this appliance is in use. Safety glasses are available at extra cost at your local Black & Decker Service Center or authorized service facility. Always use face or dust mask if operation is dusty.
- **GUARD** – Do not use this appliance without guard properly attached.
- **DRESS PROPERLY** – Do not wear loose clothing or jewelry. They can be caught in moving parts. Rubber gloves and substantial rubber soled footwear are recommended when working outdoors. Don't operate the appliance when barefoot or wearing open sandals. Wear long pants to protect your legs. Wear protective hair covering to contain long hair.
- **NYLON LINE** – Keep face, hands and feet clear of rotating cutting line at all times.
- **THE ROTATING LINE PERFORMS A CUTTING FUNCTION** – Use care when trimming around screens, fences and desirable plantings.
- **KEEP CHILDREN AWAY** – All visitors should be kept at safe distance from work area.
- **IMPORTANT WARNING** – When being used stones, pieces of metal and other objects can be thrown out at high speed by the line. The tool and guard are designed to reduce the danger. However, the following special precautions should be taken:
 - ⚠ **WARNING:** Make sure that other persons and pets are at least 100 ft. (30.5m) away.
 - ⚠ **WARNING:** To reduce the risk of rebound (ricochet) injury, work going away from any nearby solid object such as a wall, steps, large stone, tree, etc. Use great care when working close to solid objects, and, where necessary, do trimming by hand.
- **AVOID ACCIDENTALLY STARTING** – Don't carry appliance with finger on trigger.
- **DO NOT FORCE THE APPLIANCE** – It will do the job better and with less likelihood of a risk of injury at the rate for which it was designed.
- **USE THE RIGHT APPLIANCE** – Do not use this appliance for any job except that for which it is intended.
- **DON'T ABUSE CORD** – Don't yank cord from power supply. Keep cord from heat, oil, and sharp edges.
- **DAMAGE TO CORD** – Keep power cord away from rotating line. If you damage the cord, unplug it from the power supply before moving the tool or examining the damage. A damaged cord must be replaced before further use.

- **DISCONNECT TOOL** – When not in use, when replacing line, or prior to cleaning.
- **DON'T OVERREACH** – Keep proper footing and balance at all times.
- **DAMAGE TO APPLIANCE** – If you strike or become entangled with a foreign object, stop tool immediately, check for damage and have any damage repaired before further operation is attempted. Do not operate with a broken hub or spool.
- **AVOID DANGEROUS ENVIRONMENTAL CONDITIONS** – Do not use electric appliances in damp or wet locations. Don't use the appliance in the rain.
- **DO NOT OPERATE** trimmer/edgers in gaseous or explosive atmospheres. Motors in these appliances normally spark, and the sparks might ignite fumes.
- **STORE IDLE APPLIANCES INDOORS** – When not in use, appliances should be stored indoors in a dry locked-up place out of reach of children.
- **GROUND FAULT CIRCUIT INTERRUPTER (GFCI)** protection should be provided on the circuits or outlets to be used for the gardening appliance. Receptacles are available having built in GFCI protection and may be used for this measure of protection.
- **SECURE EXTENSION CORD** using the cord retainer shown in Figure 4.
- **STAY ALERT**– Watch what you are doing. Use common sense. Do not operate appliance when you are tired.
- **MAINTAIN APPLIANCES WITH CARE** – Keep cutting edge sharp and clean for best performance and to reduce the risk of injury. Follow instructions for lubricating and changing accessories. Inspect appliance cord periodically, and if damaged, have it repaired by an authorized service facility. Inspect extension cords periodically and replace if damaged. Keep handles dry, clean, and free from oil and grease.
- **CHECK DAMAGED PARTS** – Check for alignment of moving parts, binding of moving parts, breakage of parts, mounting, and any other condition that may affect its operation. Before further use of the appliance, a guard or other part that is damaged should be repaired or replaced by an authorized service center unless otherwise indicated elsewhere in this manual.

⚠ **WARNING:** When servicing double insulated tools, USE ONLY IDENTICAL REPLACEMENT PARTS. Replace or repair damaged cords.

⚠ **WARNING:** To prevent electrical shock hazard, use only with an extension cord suitable for outdoor use. Always connect extension cords to a fused line or one protected by a circuit breaker.

- **FOR HOUSEHOLD** use only.
- **KEEP GUARDS IN PLACE AND IN WORKING ORDER.**
- **KEEP HANDS AND FEET AWAY FROM CUTTING AREA.**

⚠ **ADDITIONAL SAFETY WARNINGS:**

- **EXTENSION CORDS.** Make sure your extension cord is in good condition. When using an extension cord, be sure to use one heavy enough to carry the current your product will draw. An undersized extension cord will cause a drop in line voltage resulting in loss of power and overheating. The table below shows the correct size to use depending on cord length and nameplate ampere rating. If in doubt, use the next heavier gauge. The smaller the gauge number, the heavier the cord. To reduce the risk of disconnection of the appliance from the extension cord during operation, use the extension cord retainer described in this manual.

Volts	Minimum Gauge for Cord Sets			
	Total Length of Cord in Feet			
120V	0-25	26-50	51-100	101-150
240V	0-50	51-100	101-200	201-300
Ampere Rating		American Wire Gauge		
More Than	Not more Than			
0 - 6	18	16	16	14
6 - 10	18	16	14	12
10 - 12	16	16	14	12
12 - 16	14	12	Not Recommended	

⚠ **WARNING: Outdoor use extension cords:**

To reduce the risk of electric shock, use only with an extension cord intended for outdoor use, such as an extension cord of type SW-A, SOW-A, STW-A, STOW-A, SJW-A, SJOW-A, SJTW-A, or SJTOW-A.

DOUBLE INSULATION

☐ **NOTE:** This symbol denotes **Double Insulation**. Double insulated tools are constructed throughout with two separate layers of electrical insulation or one double thickness of insulation between you and the tool's electrical system. Tools built with this insulation system are not intended to be grounded. As a result, your tool is equipped with a two prong plug which permits you to use extension cords without concern for maintaining a ground connection.

NOTE: Double insulation does not take the place of normal safety precautions when operating this tool. The insulation system is for added protection against injury resulting from a possible electrical insulation failure within the tool.

REPLACEMENT PARTS: When servicing all tools, USE IDENTICAL REPLACEMENT PARTS.

POLARIZED PLUGS

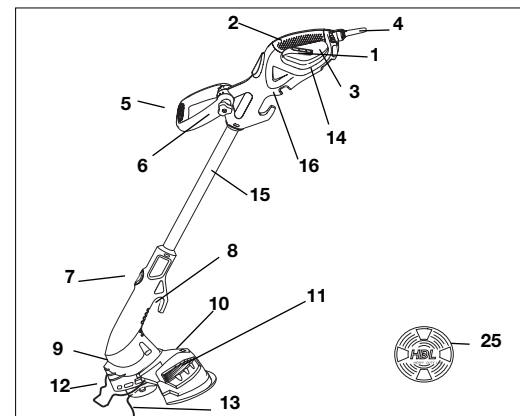
Repair or replace damaged cords.

To reduce the risk of electric shock, this equipment has a polarized plug (one blade is wider than the other). This equipment must be used with a suitable 3 wire outdoor extension cord. Polarized connections will fit together only one way. Make sure that the receptacle end of the extension cord has large and small blade slot widths. If the plug does not fit fully into the extension cord, reverse the plug. If it still does not fit, obtain a suitable extension cord. If the extension cord does not fit fully into the outlet, contact a qualified electrician to install the proper outlet. Do not change the tool plug or extension cord in any way.

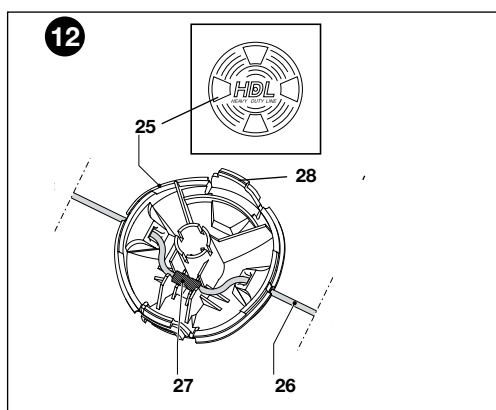
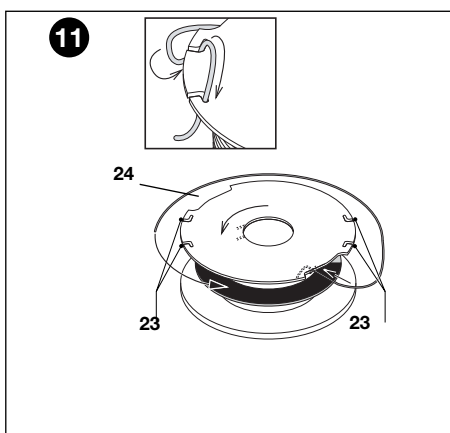
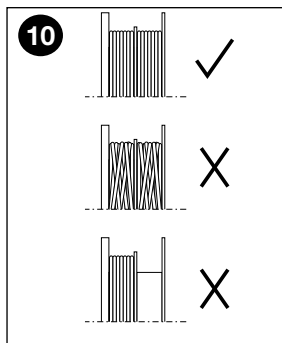
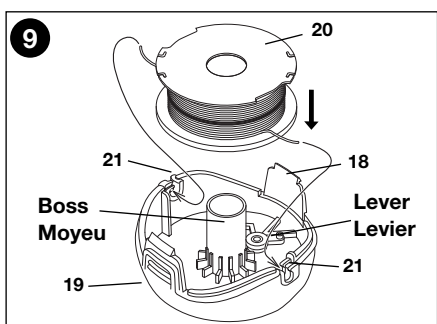
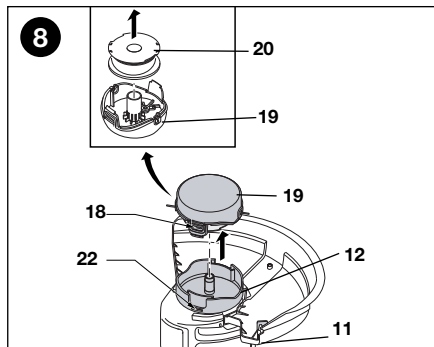
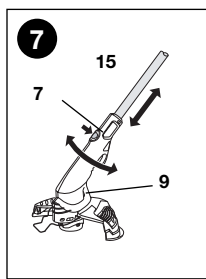
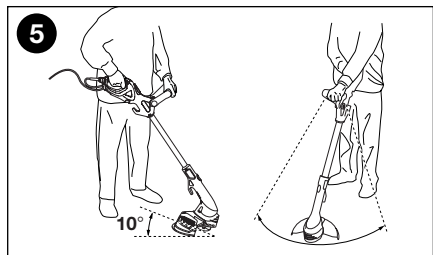
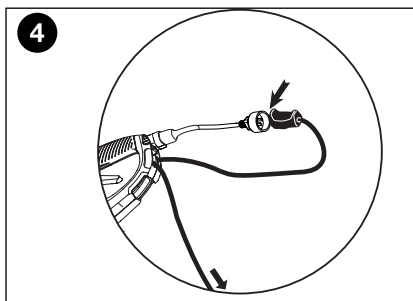
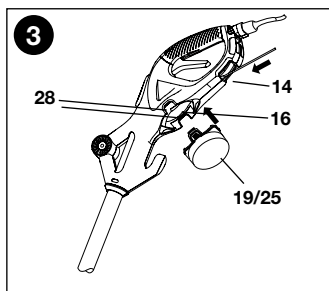
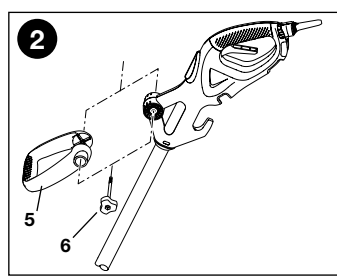
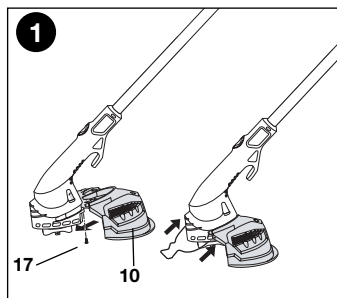
IMPORTANT WARNINGS FOR STRING TRIMMERS

- The guard must be installed before trimming or edging - if not, the motor will overheat.
- When replacing the AFS outfeed line, use only .050" (1.27mm) diameter TWISTED line - otherwise the unit will not function properly.
- When replacing the HDL fixed line use only Black & Decker part number # HDL-CA
- Do not bump the feed head against the ground - it will disrupt the feed mechanism.
- Angle tool slightly (5° to 10°) when trimming.
- Always use the cord retainer.
- Wear long pants and substantial footwear to protect yourself from injury caused by flying debris. This is especially important when edging with the appliance.

SAVE THESE INSTRUCTIONS



1. Trigger Lever - Levier de déclenchement
2. Main Handle - Poignée principale
3. Cable Restraint - Dispositif de retenue du câble
4. Power cord - Cordon d'alimentation
5. Secondary Handle - Poignée secondaire
6. Handle Knob - Bouton de poignée
7. Adj. Knob - Bouton de réglage
8. Cable Storage Hooks - Crochets de rangement du câble
9. Head - Tête
10. Guard - Dispositif de protection
11. Line Trimming Blade - Lame de coupe pour le fil
12. Spool Housing - Boîtier de la bobine
13. Cutting Line - Fil de coupe
14. Line Storage Pouch - Compartiment de rangement du fil
15. Tube - Manche
16. Spool Storage Position - Position d'entreposage de la bobine
25. Heavy Duty Line Cassette - Cassette du fil extra résistant



ASSEMBLY INSTRUCTIONS

ASSEMBLY

WARNING: To avoid serious injury, make sure that the tool is switched off and unplugged before assembly.

FITTING THE GUARD (FIG. 1)

- Remove the screw (17) from the guard (10).
- Place the guard onto the tool as shown.
- Firmly press the guard until it snaps into place.
- Secure the guard with the screw.

WARNING: To avoid serious injury, never use the tool unless the guard is properly fitted.

FITTING THE SECONDARY HANDLE (FIG. 2)

- Place the handle (5) on the tool as shown.
- Adjust the handle to the most comfortable position. Use the markings as a guide.
- Pass the bolt (6) through the secondary handle and the main handle.
- Screw the bolt into the far side of the secondary handle. Do not overtighten the bolt.

STORING THE CASSETTE NOT IN USE (FIG. 3)

The tool has two cutting system cassettes:

- AFS:** Autofeed System twin line for light trimming and edging.
- HDL:** Heavy Duty Line cutting system for more overgrown areas.

The cutting system cassette not in use can be stored in the position provided (16).

- Align the tabs on the cassette with the cut outs (28) at the underside of the handle.
- Push the cassette into the handle until it snaps securely into place.

STORING THE HEAVY CUTTING LINE (FIG. 3)

- The unit is supplied with several pieces of spare heavy cutting line.
- The extra pieces of heavy cutting line can be stored securely in the recess in the handle (14).

RELEASING THE CUTTING LINE

For shipment purposes, the cutting line is taped to the spool housing.

- Remove the tape holding the cutting line (13) to the spool housing (12).

CONNECTING THE TOOL (FIG. 4)

- Connect the female plug of a suitable extension cord to the power inlet (4).
- Loop the cord through the cord restraint (3).
- Insert the plug into a receptacle.

OPERATING INSTRUCTIONS

CAUTION: To avoid tool damage, let the tool work at its own pace. Do not overload.

SETTING THE TOOL TO TRIMMING OR EDGING MODE (FIG. 5, 6 & 7)

The tool can be used in trimming mode as shown in Fig. 5 or in edging mode to trim overhanging grass along lawn edges and flower beds as shown in Fig. 6.

CAUTION: To avoid tool damage, do not use the heavy duty cutting system for edging.

TRIMMING MODE (FIG. 5 & 6)

For trimming, the trimmer head should be in the position shown in Fig. 5. If it is not:

- Depress the adjustment button (7).
- Rotate the head (9), while releasing the button.
- When the head is in position, the button will lock into place.

Note: The head will only rotate in one direction.

EDGING MODE (FIG. 6)

For edging, the trimmer head should be in the position shown in Fig. 6. If it is not:

- Depress the adjustment button (7).
- Rotate the head (9), while releasing the button.
- When the head is in position, the button will lock into place.

Note: The head will only rotate in one direction.

CAUTION: To avoid tool damage, do not use the heavy duty cutting system for edging.

ADJUSTING THE HEIGHT OF THE TOOL (FIG. 7)

This tool has a telescopic mechanism, allowing you to set it to a comfortable height. There are three height settings.

To adjust the height setting, proceed as follows:

- Depress the adjustment button (7).
- Gently pull the tube (15) in or out of the motor housing (9) to the desired height, while releasing the button.
- When the tube is in position, the button will lock into place.

SWITCHING ON AND OFF

- To switch the tool on, squeeze the trigger lever (1).
- To switch the tool off, release the trigger lever.

WARNING: To avoid serious injury, never attempt to lock the trigger lever in the on position.

HINTS FOR OPTIMUM USE

GENERAL

- In order to achieve optimum cutting results, only cut dry grass.

TRIMMING

- Hold the tool as shown in Fig. 5.
- Gently swing the trimmer from side to side.
- When cutting long grass, work in stages from the top. Take small cuts.
- Keep the tool away from hard objects and delicate plants.
- If the tool starts running slowly, reduce the load.

EDGING

Optimum cutting results are achieved on edges deeper than 2 inches.

- Do not use the tool to create edges. To create edges, use an edging spade.
- Guide the tool with edge guide on hard surface as shown in Fig. 6.
- To make a closer cut, slightly tilt the tool.

MAINTENANCE

WARNING: To avoid serious injury, switch off and unplug the tool before performing any maintenance.

Your tool has been designed to operate over a long period of time with a minimum of maintenance. Continuous satisfactory operation depends upon proper tool care and regular cleaning.

- Regularly clean the ventilation slots in your tool using a soft brush or dry cloth.
- Regularly clean the cutting line and spool using a soft brush or dry cloth.
- Regularly use a blunt scraper to remove grass and dirt from the underneath of the guard.

FITTING A NEW SPOOL OF AFS CUTTING LINE (FIG. 8 & 9)

Complete cassettes containing a spool of cutting line are available from your Black & Decker Service Center (part no. AF7100-CA).

- Unplug the tool.
- Depress the tabs (18) and remove the cassette (19) from the cassette housing (12) in the trimmer head. Fig. 8.
- Grasp empty spool (20) with one hand and cassette with other hand and pull spool out from cassette. If lever in base of cassette becomes dislodged, replace in correct position before inserting new spool into cassette.
- Remove any dirt and grass from the cassette and housing.
- Take the new spool and push it onto the boss (Fig. 9) in the cassette. Rotate the spool slightly until it is seated.
- Unclip the end of one of the cutting lines and guide the line into one of the eyelets (21). Fig. 9. The line should protrude approx. 4-3/8 in. from the cassette.
- Unclip the end of the other cutting line and guide the line into the other eyelet. The line should protrude approx. 4-3/8 in. from the cassette.
- Align the cassette tabs (18) with the slots (22) in the housing. Fig. 8.
- Push the cassette onto the housing until it snaps securely into place.

CAUTION: To avoid tool damage, if the cutting lines protrude beyond the trimming blade (11), cut them off so that they just reach the blade.

WINDING NEW LINE ONTO AN EMPTY SPOOL (FIG. 10 & 11)

You may wind new cutting line onto an empty spool. Replacement packs of 0.050" cutting line are available from your Black & Decker Service Center.

- Remove the empty spool from the tool as described above.
- Remove any remaining cutting line from the spool.
- First wind new line onto the uppermost part of the spool.
 - Feed 3/4 inch of cutting line into one of the line anchoring slots.
 - Wind the cutting line onto the spool in the direction of the arrow on the spool.
 - Make sure to wind the line on neatly and in layers. Do not criss-cross. Fig. 10.
 - When the wound cutting line reaches the recesses (24), cut the line. Fig. 11.
 - Temporarily park the line in the holding slots (23) on one side of the spool as shown in the inset in Fig. 11.
- Repeat the above procedure for the second cutting line on the lower section of the spool.
- Fit the spool onto the tool as described in Fitting a New Spool of Cutting Line.

CAUTION: Before you begin trimming, only use the appropriate type of Black & Decker cutting line. Ensure that cutting line is present in both sections of the spool. Fig. 9.

FITTING THE HDL CASSETTE (FIG. 12)

Your trimmer is shipped with the AFS cassette installed. To fit the HDL (Heavy Duty Line) cassette, proceed as follows:

- Unplug the tool.
- Keep the tabs (18) depressed and remove the AFS cassette (19) from the cassette housing (12) in the trimmer head. Fig. 8.
- Make sure a piece of heavy cutting line is correctly fitted to the HDL cassette, as described in Fitting a New Piece of Heavy Duty Cutting Line below. Fig. 12.
- Align the tabs on the HDL cassette with the slots (22, Fig. 8) in the cassette housing.
- Push the HDL cassette into the housing until it snaps securely into place.

FITTING A NEW PIECE OF HEAVY DUTY CUTTING LINE (FIG. 12)

Replacement pieces of heavy duty cutting line are available from your Black & Decker Service Center (part no. HDL-CA). To fit a new piece of cutting line, proceed as follows:

- Unplug the trimmer from its power source.
- Depress the tabs (28) and remove the HDL cassette (25) from the cassette housing (12, Fig. 8) in the trimmer head.
- Remove the used piece of line from the cassette.
- Remove any dirt and grass from the cassette and housing.
- Thread a new piece of line (26) through the holes in each side of the cassette.
- Place the metal ferrule (27) in position as shown.

- Align the cassette tabs with the slots (22, Fig. 8) in the housing.
- Push the cassette onto the housing until it snaps securely into place.

TROUBLESHOOTING

If your tool does not seem to operate properly, follow the instructions below. If this does not solve the problem, please contact your nearest Black & Decker Service Center.

⚠ WARNING: To avoid serious injury, switch off and unplug the tool before performing any maintenance.

TOOL RUNS SLOWLY

- Check that the cassette housing (12) can rotate freely. Carefully clean it if necessary.
- Check that the cutting line does not protrude more than 4-3/8 in. from the cassette. If it does, cut it off so that it just reaches the line trimming blade.

AUTOMATIC LINE FEED DOES NOT WORK

- Keep the tabs depressed and remove the cassette from the cassette housing in the trimmer head.
- Pull the cutting line until it protrudes 4-3/8 in. from the cassette. If insufficient cutting line is left on the spool, install a new spool of cutting line.
- Align the tabs on the cassette with the cut outs in the housing.
- Push the cassette onto the housing until it snaps securely into place.
- If the cutting line protrudes beyond the trimming blade, cut it off so that it just reaches the blade.

If the automatic line feed still does not work or the spool is jammed, try the following suggestions:

- Carefully clean the cassette and housing.
- Remove the spool and check if the lever in the cassette can move freely.
- Remove the spool and unwind the cutting line, then wind it on neatly again. Replace the spool into the cassette.

IMPORTANT: To assure product SAFETY and RELIABILITY, repairs, maintenance and adjustment should be performed by authorized service centers or other qualified service organizations, always using identical replacement parts.

SERVICE INFORMATION

Black & Decker offers a full network of company-owned and authorized service locations throughout North America. All Black & Decker Service Centers are staffed with trained personnel to provide customers with efficient and reliable power tool service.

Whether you need technical advice, repair, or genuine factory replacement parts, contact the Black & Decker location nearest you.

To find your local service location, refer to the yellow page directory under "Tools—Electric" or call: **1-800-54-HOW-TO (544-6986)** or visit **www.blackanddecker.com**.

FULL TWO-YEAR HOME USE WARRANTY

Black & Decker (U.S.) Inc. warrants this product for two years against any defects in material or workmanship. The defective product will be replaced or repaired at no charge in either of two ways:

The first, which will result in exchanges only, is to return the product to the retailer from whom it was purchased (provided that the store is a participating retailer). Returns should be made within the time period of the retailer's policy for exchanges (usually 30 to 90 days after the sale). Proof of purchase may be required. Please check with the retailer for their specific return policy regarding returns that are beyond the time set for exchanges.

The second option is to take or send the product (prepaid) to a Black & Decker owned or authorized Service Center for repair or replacement at our option. Proof of purchase may be required. Black & Decker owned and authorized service centers are listed under "Tools-Electric" in the yellow pages of the phone directory.

This warranty does not apply to accessories. This warranty gives you specific legal rights and you may have other rights which vary from state to state. Should you have any questions, contact the manager of your nearest Black & Decker Service Centre.

This product is not intended for commercial use.

Free warning label replacement: If your warning labels become illegible or are missing, call **1-800-544-6986** for a free replacement.

Imported by
Black & Decker (U.S.) Inc.,
701 E. Joppa Rd.
Towson, MD 21286 U.S.A.



See 'Tools-Electric'
- Yellow Pages -
for Service & Sales



36 cm (14 po) Coupe-herbe électrique à deux fils

MODE D'EMPLOI

AVANT DE RETOURNER LE PRODUIT POUR QUELQUE RAISON QUI CE SOIT, COMPOSER LE 1-800-544-6986

VOICI DES RENSEIGNEMENTS IMPORTANTS À CONNAÎTRE

- Le dispositif de protection doit être en place avant de débiter le taillage. Sinon, le moteur surchauffera, ce qui annulera la garantie.
- Utiliser seulement un fil torsadé de 1,27 mm (0,05 po) de diamètre lors du remplacement, sinon l'appareil risque de ne pas fonctionner correctement.

CONSERVER CE MANUEL POUR UN USAGE ULTÉRIEUR

⚠ AVERTISSEMENT : AVERTISSEMENTS DE SÉCURITÉ ET DIRECTIVES DE PREMIÈRE IMPORTANCE

⚠ AVERTISSEMENT : si des outils de jardinage sont utilisés, des précautions de base en matière de sécurité doivent toujours être suivies afin de réduire le risque d'incendie, de choc électrique et de blessure corporelle, notamment les suivantes.

⚠ AVERTISSEMENT : certaines poussières produites par ce produit contiennent des produits chimiques reconnus par l'État de la Californie comme pouvant causer le cancer, les anomalies congénitales et d'autres dangers pour la reproduction. Voici quelques exemples de ces produits chimiques :

- composés présents dans les engrais
- composés présents dans les insecticides, herbicides et pesticides
- arsenic et chrome provenant de bois traité chimiquement

Pour réduire votre exposition à ces produits chimiques, porter un équipement de sécurité approuvé comme un masque anti-poussières conçu spécialement pour filtrer les particules microscopiques.

⚠ AVERTISSEMENT : cet appareil contient des produits chimiques, incluant du plomb, reconnu par l'État de la Californie comme pouvant causer le cancer, des anomalies congénitales et d'autres dangers reproductifs. Se laver les mains après la manipulation de l'appareil.

⚠ MISE EN GARDE : porter une protection auditive appropriée pour utiliser cet appareil. Dans certaines conditions et selon la durée d'utilisation, le bruit émis par ce produit peut contribuer à une perte auditive.

LIRE TOUTES CES DIRECTIVES

RÉDUCTION DES RISQUES ET DES BLESSURES : :

- Avant tout usage, s'assurer que tout utilisateur de cet outil lise et comprenne toutes les directives de sécurité ainsi que l'information comprise dans le présent manuel.
- Conserver ces directives et les examiner fréquemment avant d'utiliser l'appareil ou de donner des directives aux autres.

⚠ AVERTISSEMENTS ET DIRECTIVES DE SÉCURITÉ GÉNÉRALES POUR TOUS LES OUTILS.

- **TOUJOURS PORTER UNE PROTECTION OCULAIRE** – Porter des lunettes ou des lunettes protectrices en tout temps lorsque cet appareil est utilisé. Des lunettes protectrices sont vendues séparément au centre de réparation Black & Decker ou à un centre de réparation autorisé. Utiliser toujours un masque facial ou anti-poussière si l'opération génère de la poussière.
- **DISPOSITIF DE PROTECTION** – Ne pas utiliser cet appareil sans les dispositifs de protection correctement en place.
- **S'HABILLER DE MANIÈRE APPROPRIÉE** – Ne pas porter de vêtements amples ni de bijoux. Ils peuvent s'enchevêtrer dans les pièces mobiles. Des gants en caoutchouc et des chaussures adéquates à semelles en caoutchouc sont recommandés lors de travaux à l'extérieur. Ne pas utiliser l'appareil avec les pieds nus ou des sandales ouvertes. Porter des pantalons longs pour protéger vos jambes. Se couvrir les cheveux s'ils sont longs.
- **FIL EN NYLON** – Tenir le visage, les mains et pieds loin du fil rotatif en tout temps.
- **LE FIL EN ROTATION EXÉCUTE UNE COUPE** – Être attentif lors du taillage autour de grillages, de clôtures et de plates-bandes.
- **TENIR LES ENFANTS À L'ÉCART** – Tous les visiteurs doivent se trouver à une distance sûre de la zone de travail.
- **AVERTISSEMENT IMPORTANT :** lorsque l'outil est utilisé, des pierres, des morceaux de métal et autres objets peuvent être projetés à haute vitesse par le fil. L'outil et le dispositif de protection sont conçus pour réduire le risque. Toutefois, les précautions spéciales suivantes doivent être prises :
 - **⚠ AVERTISSEMENT :** S'ASSURER que toute personne et animaux sont éloignés d'au moins 30,5 m (100 pi).
 - **⚠ AVERTISSEMENT :** pour réduire le risque de blessures par ricochet, travailler en s'éloignant de tout objet solide tel un mur, des marches, de grosses pierres, des arbres, etc. Être très prudent lors de travaux près d'objets solides et, le cas échéant, tailler manuellement.
- **ÉVITER LES DÉMARRAGES ACCIDENTELS** – Ne pas transporter d'outil avec le doigt sur la détente.
- **NE PAS FORCER L'APPAREIL** – le travail sera mieux fait à la vitesse pour lequel il a été conçu et sans risque de blessure.
- **UTILISER LE BON APPAREIL** – Ne pas utiliser cet appareil pour tout autre type de travail sauf pour celui pour lequel il est prévu.
- **NE PAS UTILISER LE CORDON DE FAÇON ABUSIVE** – Ne pas tirer sur le cordon d'alimentation pour le débrancher. Tenir le cordon éloigné de la chaleur, de l'huile et des bords tranchants.
- **CORDON D'ALIMENTATION ENDOMMAGÉ** – Tenir éloigné le cordon d'alimentation du fil rotatif. En cas de dommages au cordon d'alimentation, débranchez-le de la prise avant de déplacer l'outil ou d'inspecter le dommage. Un cordon endommagé doit être remplacé avant sa prochaine utilisation.
- **DÉBRANCHER L'OUTIL** – Lorsqu'il est inactif, lors du remplacement du fil ou avant un nettoyage.
- **NE PAS TROP TENDRE LES BRAS** – Conserver son équilibre en tout temps.
- **OUTIL ENDOMMAGÉ** – Si l'utilisateur se frappe ou devient enchevêtré dans un objet, il faut arrêter immédiatement l'outil, le débrancher puis inspecter s'il y a des dommages qui devront être réparés avant une autre utilisation. Ne pas utiliser avec un moyeu ou une bobine brisés.
- **ÉVITER LES CONDITIONS ENVIRONNEMENTALES DANGEREUSES** – Ne pas utiliser d'appareils électriques dans des lieux humides ou mouillés. Ne pas utiliser l'appareil sous la pluie.
- **NE PAS UTILISER** de coupe-herbe/coupe-bordure dans un milieu gazeux ou déflagrant. Les moteurs de ces appareils électriques produisent normalement des étincelles qui pourraient enflammer des vapeurs.
- **RANGER LES APPAREILS INUTILISÉS À L'INTÉRIEUR** – Lorsqu'ils ne sont pas utilisés, les appareils doivent être rangés à l'intérieur, dans un endroit sec et verrouillé, hors de portée des enfants.
- **UN DISJONCTEUR DE FUITE DE TERRE** doit être installé pour protéger les circuits ou prises utilisés pour cet appareil électrique de jardin. Des prises avec fonction de disjoncteur de fuite de terre intégrée sont aussi disponibles et peuvent être utilisées comme mesures de protection.
- **FIXER LE CORDON D'ALIMENTATION** à l'aide du dispositif de retenu de celui-ci tel qu'illustré à la figure 4.

- **ÊTRE VIGILANT** – Surveiller le travail effectué. Faire preuve de jugement. Ne pas utiliser l'appareil électrique en cas de fatigue.
 - **ENTRETIEN L'APPAREIL AVEC SOIN** – Garder les lames de coupe tranchantes et propres afin d'assurer la meilleure performance et pour réduire le risque de blessure. Suivre les consignes de graissage et de changement d'accessoires. Inspecter régulièrement le cordon d'alimentation, en cas de dommages, le faire réparer par un centre de réparation autorisé. Inspecter régulièrement les rallonges électriques et les remplacer si elles sont endommagées. Maintenir les poignées sèches, propres et exemptes d'huile et de graisse.
 - **VÉRIFIER LA PRÉSENCE DE PIÈCES ENDOMMAGÉES** – Vérifier l'alignement des pièces mobiles, la présence de grippage des pièces mobiles, de rupture de pièces, la fixation et tout autre problème pouvant nuire au fonctionnement de l'outil. Avant de poursuivre l'utilisation de l'appareil, un dispositif de protection endommagé, ou toute autre pièce endommagée, doit être réparé ou remplacé adéquatement par un centre de réparation autorisé à moins d'un avis contraire indiqué dans le présent mode d'emploi.
- ⚠ AVERTISSEMENT** : pour réparer tout outil à double isolation, VEUILLEZ UTILISER DES PIÈCES DE RECHANGE IDENTIQUES. Remplacer ou réparer les cordons endommagés.
- ⚠ AVERTISSEMENT** : pour prévenir un choc électrique ou une électrocution, se servir uniquement d'une rallonge convenant à une utilisation à l'extérieur. Toujours brancher les rallonges à une prise avec fusible ou protégée par un disjoncteur.
- **POUR UN USAGE DOMESTIQUE** uniquement.
 - **MAINTENIR LES DISPOSITIFS DE PROTECTION EN PLACE ET EN BON ÉTAT DE FONCTIONNEMENT.**
 - **TENIR LES MAINS ET LES PIEDS ÉLOIGNÉS DE LA ZONE DE DÉCOUPE.**

⚠ AVERTISSEMENTS DE SÉCURITÉ SUPPLÉMENTAIRES :

- **RALLONGES ÉLECTRIQUES.** S'assurer que la rallonge est en bon état. Lorsque qu'une rallonge électrique est utilisée, s'assurer d'en utiliser une de calibre suffisamment élevé pour assurer le transport du courant nécessaire au fonctionnement de l'appareil. Une rallonge de calibre inférieur causera une chute de tension de ligne et donc une perte de puissance et une surchauffe. Le tableau ci-dessous indique le calibre approprié à utiliser selon la longueur du cordon et l'intensité nominale de la plaque signalétique. En cas de doute, utiliser le calibre suivant le plus gros. Plus le numéro de calibre est petit, plus le cordon est lourd. Pour réduire le risque de déconnexion du cordon d'alimentation de l'appareil électrique, de la rallonge, en cours de fonctionnement, utiliser le dispositif de retenue décrit dans le présent manuel pour la rallonge.

Calibre minimum pour les rallonges					
Volts		Longueur totale du cordon en pieds			
120 V		0-25	26-50	51-100	101-150
240 V		0-50	51-100	101-200	201-300
Intensité nominale					
Plus de		Pas plus de		Calibrage américain normalisé des fils (AWG)	
0	-	6	18	16	16
6	-	10	18	16	14
10	-	12	16	16	14
12	-	16	14	12	Non recommandé

⚠ AVERTISSEMENT : utilisation en extérieur de rallonges :

Afin de réduire le risque de choc électrique, utiliser cet outil uniquement avec une rallonge destinée à une utilisation à l'extérieur, comme les rallonges SW-A, SOW-A, STW-A, STOW-A, SJW-A, SJOW-A, SJTW-A ou SJTOW-A.

DOUBLE ISOLATION

☑ REMARQUE : ce symbole indique une double isolation. Les outils à double isolation comportent partout deux couches d'isolation électrique séparées ou une double épaisseur de matériau isolant entre l'opérateur et le système électrique de l'outil. Les outils comportant ce système d'isolation ne sont pas conçus pour être mis à la terre. Votre outil est donc équipé d'une prise à deux broches qui vous permet d'utiliser des cordons d'alimentation sans vous soucier de maintenir une connexion à la terre.

REMARQUE : la double isolation ne remplace pas les précautions normales de sécurité lors de l'utilisation de cet outil. Le système d'isolation sert à apporter une protection accrue contre toute blessure résultant d'une défaillance d'isolation électrique au sein de l'outil.

PIÈCES DE RECHANGE : pour réparer tout outil, VEUILLEZ UTILISER DES PIÈCES DE RECHANGE IDENTIQUES.

FICHES POLARISÉES

Réparer ou remplacer les cordons endommagés.

Pour réduire le risque de chocs électriques, cet équipement comporte une fiche polarisée (une broche est plus large que l'autre). Cet équipement doit être utilisé avec une rallonge à 3 fils appropriée pour une utilisation en extérieur. Les connexions polarisées ne peuvent être utilisées que dans un sens. S'assurer que le réceptacle à l'extrémité de la rallonge est équipé de fentes de lame de largeurs différentes (petites et grandes). Si la fiche ne s'insère pas totalement dans la rallonge, renversez-la. Si elle ne s'insère toujours pas, se procurer la rallonge appropriée. Si la rallonge ne s'insère pas complètement dans la prise, communiquer avec un électricien professionnel pour qu'il installe une prise appropriée. Ne modifier en aucune façon la fiche de l'outil ou la rallonge.

AVERTISSEMENTS IMPORTANTS POUR MINITONDEUSES À FIL ROTATIF

- Le dispositif de protection doit être en place avant de débiter le taillage ou la coupe sinon le moteur surchauffera.
- Lors du remplacement du fil de sortie ATS, utiliser uniquement un fil TORSADÉ de 1,27 mm (0,05 po) de diamètre, sinon l'appareil ne fonctionnera pas correctement.
- Lors du remplacement du fil fixe HDL, utiliser uniquement le fil de Black & Decker de référence n° HDL-CA.
- Éviter de frapper la tête d'alimentation contre le sol. En effet, cela endommagera le mécanisme d'alimentation.
- Incliner légèrement l'outil (5 à 10°) lors du taillage.
- Toujours utiliser le dispositif de retenue du cordon.
- Toujours porter un pantalon et des chaussures épaisses afin de vous protéger de blessures pouvant être causées par les débris projetés. Cette recommandation est tout particulièrement importante lors de la coupe en bordure.

CONSERVER CES DIRECTIVES

DIRECTIVES DE MONTAGE

ASSEMBLAGE

⚠ AVERTISSEMENT : pour éviter des blessures graves, s'assurer que l'outil est éteint et débranché avant de commencer le montage.

MISE EN PLACE DU DISPOSITIF DE PROTECTION (FIG. 1)

- Retirer la vis (17) du dispositif de protection (10).
- Placer le dispositif de protection sur l'outil comme indiqué.
- Appuyer fermement sur le dispositif de protection jusqu'à ce qu'il s'enclenche.
- Le fixer à l'aide de la vis.

⚠ AVERTISSEMENT : pour éviter des blessures graves, ne jamais utiliser l'outil lorsque le dispositif de protection n'est pas correctement installé.

MISE EN PLACE DE LA POIGNÉE SECONDAIRE (FIG. 2)

- Placer la poignée (5) sur l'outil comme indiqué.
- Régler la poignée sur la position la plus confortable. Utiliser les repères de guidage.
- Enfiler l'écrou (6) par la poignée secondaire et la poignée principale.
- Visser le boulon à l'extrémité opposée de la poignée secondaire. Ne pas serrer le boulon de manière excessive.

RANGEMENT DE LA CASSETTE LORSQU'ELLE N'EST PAS UTILISÉE (FIG. 3)

L'outil possède deux cassettes pour le système de coupe :

- **AFS** : Système d'alimentation automatique (Autofeed System) à fil double pour la coupe et la taille en bordure légères.
 - **HDL** : Système de coupe à fil extra-résistant pour les zones plus broussailleuses.
- La cassette du système de coupe non utilisé peut être rangée dans l'emplacement prévu à cet effet (16).
- Aligner les languettes de la cassette avec les ouvertures (28) sous la poignée.

- Appuyer sur la cassette jusqu'à ce qu'elle s'enclenche dans la poignée.

RANGEMENT DU FIL DE COUPE EXTRA-RÉSISTANT (FIG. 3)

- L'appareil est fourni avec plusieurs fils extra-résistants de rechange.
- Ces fils de rechange peuvent être rangés en toute sécurité dans l'emplacement prévu à cet effet dans la poignée (14).

LIBÉRATION DU FIL DE COUPE

Le fil de coupe est fixé au logement de la bobine par un ruban adhésif pour le transport.

- Retirer le ruban adhésif retenant le fil de coupe (13) au logement de la bobine (12).

BRANCHEMENT DE L'OUTIL (FIG. 4)

- Brancher la prise femelle d'un cordon de rallonge à l'entrée d'alimentation de l'outil (4).
- Faire passer le cordon en boucle dans le dispositif de retenue (3).
- Brancher le cordon à une prise de courant.

DIRECTIVES D'UTILISATION

⚠ MISE EN GARDE : laisser l'outil fonctionner à sa propre vitesse afin d'éviter de l'endommager. Ne pas le surcharger.

RÉGLAGE DE L'OUTIL POUR LA TAILLE OU LA COUPE EN BORDURE (FIG. 5, 6 ET 7)

Cet outil peut être utilisé en mode de taille, comme indiqué sur la figure 5, ou en mode de coupe afin de tailler l'herbe dépassant sur les côtés de votre pelouse et jardins de fleurs, comme indiqué sur la figure 6.

⚠ MISE EN GARDE : afin de ne pas endommager l'outil, ne pas utiliser le système de coupe extra-résistant pour la coupe en bordure.

MODE DE TAILLE (FIG. 5 ET 6)

Pour la taille, la tête de taille doit être dans la position indiquée sur la fig. 5. Si ce n'est pas le cas :

- Appuyer sur le bouton de réglage (7).
- Faire pivoter la tête (9) tout en relâchant le bouton.
- Lorsque la tête se trouve dans la position adéquate, le bouton se verrouille en place.

Remarque : la tête ne pivote que dans une seule direction.

MODE DE COUPE EN BORDURE (FIG. 6)

Pour la coupe en bordure, la tête de coupe doit se trouver dans la position indiquée par la figure 6. Si ce n'est pas le cas :

- Appuyer sur le bouton de réglage (7).
- Faire pivoter la tête (9) tout en relâchant le bouton.
- Lorsque la tête se trouve dans la position adéquate, le bouton se verrouille en place.

Remarque : la tête ne pivote que dans une seule direction.

⚠ MISE EN GARDE : afin de ne pas endommager l'outil, ne pas utiliser le système de coupe extra-résistant pour la coupe en bordure.

RÉGLAGE DE LA HAUTEUR DE L'OUTIL (FIG. 7)

Cet outil dispose d'un manche télescopique permettant de le régler à la hauteur qui vous convient le mieux. Trois réglages de hauteur sont proposés.

Pour régler la hauteur, suivre les instructions ci-dessous :

- Appuyer sur le bouton de réglage (7).
- Tirer ou pousser délicatement le manche (15) du boîtier du moteur (9) jusqu'à la hauteur souhaitée, tout en relâchant le bouton.
- Lorsque le manche est en position, le bouton se verrouillera en place.

MISE EN MARCHÉ ET ARRÊT

- Pour allumer l'outil, appuyer sur le levier de déclenchement (1).
- Pour éteindre l'outil, relâcher le levier de déclenchement.

⚠ AVERTISSEMENT : afin d'éviter des blessures graves, ne jamais essayer de bloquer le levier de déclenchement en position allumée.

CONSEILS POUR UNE UTILISATION OPTIMALE

CONSEILS GÉNÉRAUX

- Afin d'obtenir les meilleurs résultats de coupe, n'utiliser l'outil que pour couper de l'herbe sèche.

TAILLE

- Tenir l'outil comme indiqué sur la fig. 5.
- Balancer doucement le coupe-herbe d'un côté à l'autre.
- Lors de la taille d'herbe haute, travailler par étapes en commençant par le haut. Faire de petites coupes.
- Tenir l'outil à distance des objets durs et des plantes délicates.
- Si l'outil ralentit sa vitesse, réduire sa charge.

COUPE EN BORDURE

Les meilleurs résultats de coupe sont obtenus sur des bords de plus de 5 cm (2 po) de profondeur.

- Ne pas utiliser l'outil pour créer des bordures. Pour créer des bords, utiliser une bêche à bordures.
- Utiliser le guide de bordure sur une surface dure pour guider l'outil, comme indiqué sur la figure 6.
- Pour couper de plus près, incliner légèrement l'outil.

ENTRETIEN

⚠ AVERTISSEMENT : pour éviter des blessures graves, éteindre et débrancher l'outil avant d'effectuer toute opération de maintenance.

L'outil a été conçu pour fonctionner longtemps avec un minimum d'entretien Un fonctionnement satisfaisant continu dépend du bon entretien et du nettoyage régulier de l'outil.

- Nettoyer régulièrement les orifices de ventilation de l'outil à l'aide d'une brosse douce ou d'un chiffon sec.
- Nettoyer régulièrement le fil de coupe et la bobine à l'aide d'une brosse douce ou d'un chiffon sec.
- Utiliser régulièrement un grattoir non tranchant pour retirer l'herbe et les saletés accumulées sous le dispositif de protection.

MISE EN PLACE D'UNE NOUVELLE BOBINE DE FIL DE COUPE AFS À ALIMENTATION AUTOMATIQUE (FIG. 8 ET 9)

Des cassettes de rechange contenant une bobine de fil de coupe peuvent être commandées auprès des centres de réparation Black & Decker (article n° AF7100-CA).

- Débrancher l'outil.
- Appuyer sur les languettes (18) et sortir la cassette (19) de son logement (12) dans la tête de coupe. Fig. 8.
- En tenant la bobine vide (20) d'une main et la cassette de l'autre, tirer sur la bobine afin de la sortir de la cassette. Si le levier situé à la base de la cassette se détache, le replacer en position correcte avant d'insérer la nouvelle bobine dans la cassette.
- Retirer l'herbe et les saletés présentes dans la cassette et son logement.
- Placer la nouvelle bobine dans le logement en l'appuyant sur le moyen (fig. 9) de la cassette. Faire pivoter légèrement la bobine jusqu'à ce qu'elle soit bien installée.
- Détacher l'extrémité de l'un des fils de coupe et la faire passer par l'un des oeillets (21). Fig. 9. Le fil doit dépasser d'environ 11 cm (4 3/8 po) de la cassette.
- Détacher l'extrémité de l'autre fil de coupe et la faire passer dans l'autre oeillet. Le fil doit dépasser d'environ 11 cm (4 3/8 po) de la cassette.
- Aligner les languettes de la cassette (18) avec les ouvertures (22) du boîtier. Fig. 8.
- Placer la cassette dans son logement et appuyer jusqu'à ce qu'elle s'enclenche.
- **⚠ AVERTISSEMENT** : pour éviter d'endommager l'outil, si les fils de coupe dépassent au-delà de la lame de coupe (11), les couper de façon à ce qu'ils atteignent juste la lame.

ENROULEMENT DE NOUVEAU FIL SUR UNE BOBINE VIDE (FIG. 10 ET 11)

Il est possible d'enrouler du fil de rechange sur une bobine vide. Du fil de coupe de rechange de 1,27 mm (0,05 po) peut être commandé auprès des centres de réparation Black & Decker.

- Retirer la bobine vide de l'outil en suivant la procédure décrite précédemment.
- Retirer tout reste de fil de coupe de la bobine.
- Enrouler le fil de rechange en commençant par la partie supérieure de la bobine.
- Insérer 2 cm (3/4 po) de fil dans l'une des fentes d'ancrage.

- Enrouler le fil de coupe sur la bobine dans la direction indiquée par la flèche sur la bobine.
 - Prendre soin d'enrouler le fil de façon nette et ordonnée par couches successives. Ne pas croiser le fil. Fig. 10.
 - Couper le fil enroulé lorsqu'il atteint les encoches (24). Fig. 11.
 - Placer temporairement le fil dans l'une des fentes de maintien (23) sur l'un des côtés de la bobine, comme indiqué sur l'encadré de la fig. 11.
 - Répéter la procédure ci-dessus pour le second fil de coupe sur la partie inférieure de la bobine.
 - Mettre en place la bobine sur l'outil comme décrit à la section intitulée « Mise en place d'une nouvelle bobine de fil de coupe ».
- ⚠ Attention :** avant de commencer à travailler avec votre coupe-herbe, s'assurer que le fil employé est exclusivement du fil de coupe Black & Decker adapté. Vérifier que le fil de coupe est présent dans les deux parties de la bobine. Fig. 9.

MISE EN PLACE DE LA BOBINE HDL DE FIL EXTRA-RÉSISTANT (FIG. 12)

La cassette AFS (alimentation automatique) est installée lors de l'achat de votre coupe-herbe. Pour mettre en place la cassette HDL (fil extra-résistant), procéder comme suit :

- Débrancher l'outil.
- Appuyer sur les languettes (18) et les maintenir enfoncées tout en retirant la cassette AFS (19) de son logement (12) dans la tête de coupe. Fig. 8.
- Vérifier que du fil extra-résistant est bien installé correctement dans la cassette HDL, comme indiqué dans la procédure « Mise en place de fil extra-résistant de rechange » décrite plus bas. Fig. 12.
- Aligner les languettes de la cassette HDL avec les fentes (22, fig. 8) correspondantes dans son logement.
- Appuyer sur la cassette HDL jusqu'à ce qu'elle s'enclenche correctement dans son logement.

MISE EN PLACE DE FIL EXTRA-RÉSISTANT DE RECHANGE (FIG. 12)

Du fil de coupe extra-résistant de rechange peut être commandé auprès des centres de réparation Black & Decker (article n° HDL-CA). Pour mettre en place un fil de coupe de rechange, suivre la procédure suivante :

- Débrancher le coupe-herbe de sa source d'alimentation.
- Appuyer sur les languettes (28) et retirer la cassette HDL (25) de son logement (12, fig. 8) dans la tête de coupe.
- Retirer le fil usagé de la cassette.
- Retirer l'herbe et les saletés présentes dans la cassette et son logement.
- Faire passer le fil de rechange (26) à travers les ouvertures de chaque côté de la cassette.
- Placer l'embout métallique (27) dans la position indiquée.
- Aligner les languettes de la cassette avec les fentes (22, fig. 8) du logement.
- Placer la cassette dans son logement et appuyer jusqu'à ce qu'elle s'enclenche.

DÉPANNAGE

Si votre outil semble ne pas fonctionner correctement, suivre les instructions ci-dessous. Si le problème persiste, contacter le centre de réparation Black & Decker le plus proche de chez vous.

⚠ AVERTISSEMENT : pour éviter des blessures graves, éteindre et débrancher l'outil avant d'effectuer toute opération d'entretien

L'OUTIL FONCTIONNE LENTEMENT

- Vérifier que le logement de la cassette (12) peut tourner librement. Le nettoyer avec précaution si nécessaire.
- Vérifier que le fil de coupe ne dépasse pas de plus de 11 cm (4 3/8 po) de la cassette. Le cas échéant, le couper afin que sa longueur atteigne juste la lame de coupe.

L'ALIMENTATION AUTOMATIQUE (AFS) NE FONCTIONNE PAS

- Maintenir les languettes enfoncées et retirer la cassette de son logement dans la tête de coupe.
- Tirer le fil de coupe jusqu'à ce qu'il dépasse de 11 cm (4 3/8 po) de la cassette. Si la longueur de fil restant sur la cassette est insuffisante, installer une nouvelle bobine de fil.
- Aligner les languettes de la cassette avec les fentes pratiquées dans le logement.
- Placer la cassette dans son logement et appuyer jusqu'à ce qu'elle s'enclenche.
- Si le fil dépasse au-delà de la lame de coupe, le couper de façon à ce qu'il atteigne juste la lame.

Si l'alimentation automatique de fil ne fonctionne toujours pas ou si la bobine se bloque, essayer les suggestions suivantes :

- Nettoyer avec précaution la cassette et son logement.
- Retirer la bobine et vérifier que le levier dans la cassette peut se déplacer librement.
- Retirer la bobine et dérouler le fil de coupe, puis l'enrouler à nouveau de façon ordonnée. Replacer la bobine dans la cassette.

IMPORTANT : pour assurer la SÉCURITÉ et la FIABILITÉ du produit, toute réparation, entretien ou réglage doit être réalisé par un centre de réparation autorisé ou autre personnel qualifié, et des pièces de rechange identiques doivent toujours être utilisées.

INFORMATION SUR LES RÉPARATIONS

Black & Decker dispose d'un réseau complet de centres de réparation et de centres autorisés situés partout en Amérique du Nord. Tous les centres de réparation Black & Decker sont dotés de personnel qualifié en matière d'outillage électrique; ils sont donc en mesure d'offrir à leur clientèle un service efficace et fiable. Que ce soit pour un avis technique, une réparation ou des pièces de rechange authentiques installées en usine, communiquer avec l'établissement Black & Decker le plus près de chez vous. Pour trouver l'établissement de réparation de votre région, consulter le répertoire des pages jaunes à la rubrique « Outils électriques » ou composez le numéro suivant : **1-800-54-HOW-TO (544-6986)**.

GARANTIE COMPLÈTE DE DEUX ANS POUR UNE UTILISATION DOMESTIQUE

Black & Decker (É.-U.) Inc. garantit ce produit pour une durée de deux ans contre tout défaut de matériau ou de fabrication. Le produit défectueux sera remplacé ou réparé sans frais d'une des deux façons suivantes :

La première façon consiste en un échange chez le détaillant où le produit a été acheté (à la condition que le magasin soit un détaillant participant). Tout retour doit se faire durant la période correspondant à la politique d'échange du détaillant (habituellement, de 30 à 90 jours après l'achat). Une preuve d'achat peut être requise. Vérifier auprès du détaillant pour connaître sa politique concernant les retours hors de la période définie pour les échanges. La deuxième option est d'apporter ou d'envoyer le produit (transport payé d'avance) à un centre de réparation autorisé ou à un centre de réparation de Black & Decker pour faire réparer ou échanger le produit, à notre discrétion. Une preuve d'achat peut être requise. Les centres de réparation autorisés ou appartenant à Black & Decker sont répertoriés dans les Pages jaunes sous la rubrique « Outils électriques » du bottin téléphonique. Cette garantie ne s'applique pas aux accessoires. Cette garantie vous accorde des droits légaux spécifiques et vous pourriez avoir d'autres droits qui varient d'un État ou d'une province à l'autre. Si vous avez des questions, communiquez avec le directeur du centre de réparation Black & Decker le plus près de chez vous. Ce produit n'est pas destiné à un usage commercial.

Remplacement gratuit des étiquettes d'avertissement : si les étiquettes d'avertissement deviennent illisibles ou sont manquantes, composer le **1-800-544-6986** pour en obtenir le remplacement gratuit.



Free Manuals Download Website

<http://myh66.com>

<http://usermanuals.us>

<http://www.somanuals.com>

<http://www.4manuals.cc>

<http://www.manual-lib.com>

<http://www.404manual.com>

<http://www.luxmanual.com>

<http://aubethermostatmanual.com>

Golf course search by state

<http://golfingnear.com>

Email search by domain

<http://emailbydomain.com>

Auto manuals search

<http://auto.somanuals.com>

TV manuals search

<http://tv.somanuals.com>