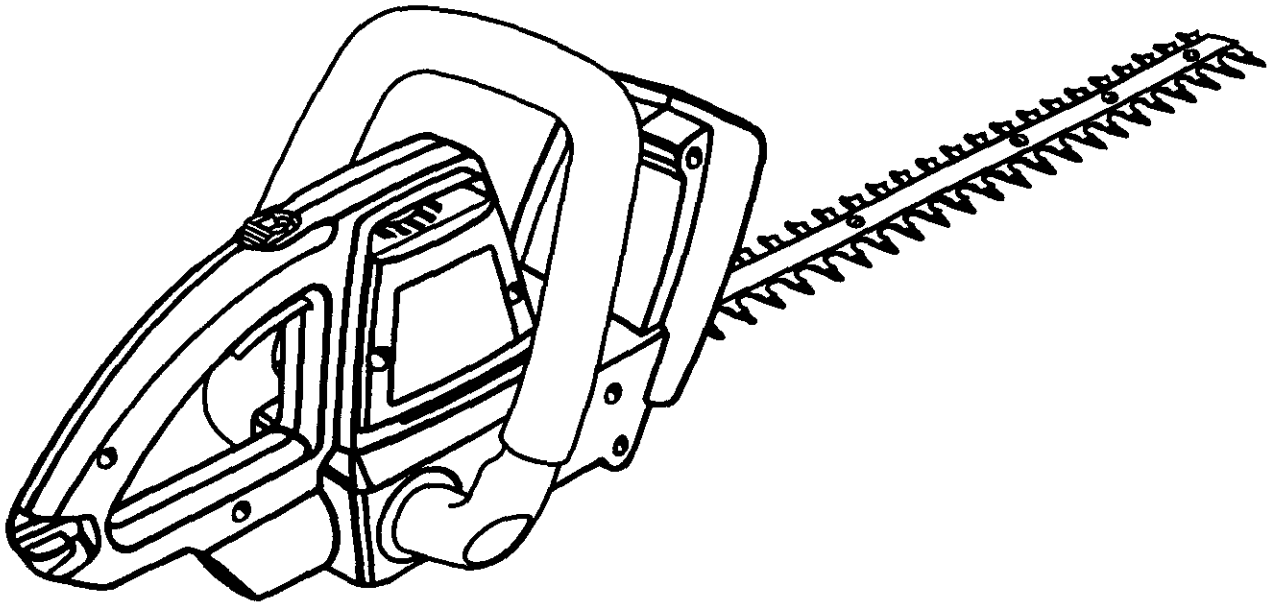


Owner's Manual

CRAFTSMAN®

20 in. HEDGE TRIMMER Double Insulated

Model No.
315.798890



Save this manual for
future reference.

⚠ CAUTION: Read and follow
all Safety Rules and Operating
Instructions before first use of
this product.

Customer Help Line: 1-800-932-3188

Sears, Roebuck and Co., Hoffman Estates, IL 60179 USA
Visit the Craftsman web page: www.sears.com/craftsman

972000-600
3-99

- Safety
- Assembly
- Operation
- Customer Responsibilities
- Parts List



TABLE OF CONTENTS

■ Table Of Contents	2
■ Warranty and Introduction ..	2
■ Rules For Safe Operation ..	3-5
■ Assembly	5-6
■ Operation	6-8
■ Customer Responsibilities	9-11
■ Exploded View and Repair Parts List	12-13
■ Parts Ordering / Service	14

WARRANTY

FULL ONE YEAR WARRANTY ON CRAFTSMAN ELECTRIC HEDGE TRIMMER

If this **CRAFTSMAN** Electric Hedge Trimmer fails to perform properly due to a defect in material or workmanship within (1) one year from the date of purchase, Sears will repair or replace it, free of charge.

WARRANTY SERVICE IS AVAILABLE BY RETURNING THE HEDGE TRIMMER TO THE NEAREST SEARS STORE IN THE UNITED STATES.

This warranty gives you specific legal rights, and you may also have other rights which vary from state to state.

Sears, Roebuck and Co., Dept. 817WA, Hoffman Estates, IL 60179

INTRODUCTION

Your hedge trimmer has many features for making trimming operations more pleasant and enjoyable. Safety, performance and dependability have been given top priority in the design of this hedge trimmer making it easy to maintain and operate.

⚠ CAUTION: Carefully read through this entire owner's manual before using your new hedge trimmer. Pay close attention to the Rules For Safe Operation, Warnings and Cautions. If you use your hedge trimmer properly and only for what it is intended, you will enjoy years of safe, reliable service.

⚠ Look for this symbol to point out important safety precautions. It means attention!!! Your safety is involved.

ELECTRICAL CONNECTION

Your hedge trimmer has a precision built electric motor. It should be connected to a **power supply that is 120 volts, 60 Hz, AC only (normal household current)**. Do not operate this tool on direct current (DC). A substantial voltage drop will cause a loss of power and the motor will overheat. If your hedge trimmer does not operate when plugged into an outlet, double check the power supply.

RULES FOR SAFE OPERATION

The purpose of safety symbols is to attract your attention to possible dangers. The safety symbols, and the explanations with them, deserve your careful attention and understanding. The safety warnings do not by themselves eliminate any danger. The instructions or warnings they give are not substitutes for proper accident prevention measures.

SYMBOL MEANING



SAFETY ALERT SYMBOL:

Indicates danger, warning, or caution. May be used in conjunction with other symbols or pictographs.



DANGER: Failure to obey a safety warning will result in serious injury to yourself or to others.

Always follow the safety precautions to reduce the risk of fire, electric shock and personal injury.



WARNING: Failure to obey a safety warning can result in serious injury to yourself or to others.

Always follow the safety precautions to reduce the risk of fire, electric shock and personal injury.



CAUTION: Failure to obey a safety warning may result in property damage or personal injury to yourself or to others.

Always follow the safety precautions to reduce the risk of fire, electric shock and personal injury.

NOTE: Advises you of information or instructions vital to the operation or maintenance of the equipment.

DOUBLE INSULATION

Double insulation is a concept in safety, in electric power tools which eliminates the need for the usual three-wire grounded power cord. All exposed metal parts are isolated from internal metal motor components with protecting insulation. Double insulated tools do not need to be grounded.



WARNING: Do not attempt to operate this tool until you have read thoroughly and understand completely all instructions, safety rules, etc. contained in this manual. Failure to comply can result in accidents involving fire, electric shock, or serious personal injury. Save owner's manual and review frequently for continuing safe operation, and instructing others who may use this tool.



WARNING: When using electric hedge trimmers, basic safety precautions should always be followed to reduce the risk of fire, electric shock, and personal injury, including the following:

READ ALL INSTRUCTIONS

- **KNOW YOUR POWER TOOL.** Read owner's manual carefully. Learn its applications and limitations as well as the specific potential hazards related to this tool.
- **DRESS PROPERLY.** Do not wear loose clothing or jewelry. They can be caught in moving parts. Use of sturdy gloves and

IMPORTANT

Servicing of a tool with double insulation requires extreme care and knowledge of the system and should be performed only by a qualified service technician. For service we suggest you return the tool to your nearest Sears Store for repair. Always use original factory replacement parts when servicing.

substantial footwear is recommended when working outdoors. Wear protective hair covering to contain long hair.

- **USE SAFETY GLASSES.** Always use face or dust mask if operation is dusty.
- **STAY ALERT.** Watch what you are doing and use common sense. Do not operate trimmer when you are tired.
- **DANGER:** Risk of cut or shock - Keep hands away from blades. Keep both hands on handles when power is on. Do not attempt to remove cut material nor hold material to be cut when blades are moving. Make sure the trimmer is unplugged and the switch is off when clearing jammed material from blades. Do not grasp the exposed cutting blades or cutting edges of trimmer.
- **CAUTION:** Blades will coast after trimmer is turned off.

RULES FOR SAFE OPERATION (Continued)

- **⚠ WARNING:** Avoid dangerous environment and guard against electric shock hazard. Don't use trimmer in rain, in damp or wet locations, or on wet hedges and shrubbery. Use only extension cords in good condition and marked "suitable for use with outdoor appliances" having electrical rating not less than rating of trimmer. Do not use damaged extension cords. Inspect cords periodically and replace if damaged. Do not abuse cord. Never carry trimmer by cord. Do not yank cord to disconnect from receptacles. Keep cord away from heat, oil, sharp edges, and moving blades.
- **⚠ WARNING:** To reduce the risk of electric shock, use only with an extension cord intended for outdoor use, such as SW-A, SOW-A, STW-A, STOW-A, SJW-A, SJOW-A, SJTW-A or SJTOW-A.
- **WHEN OPERATING YOUR TRIMMER –** keep extension cord behind trimmer. Never drape it over hedge being trimmed.
- **KEEP CHILDREN AWAY.** Do not permit children to contact trimmer or extension cord. Keep children a safe distance from work area.
- **USE TRIMMER PROPERLY.** Use only for trimming the type of shrub, growth, etc., described in the operating instructions. Do not abuse trimmer.
- **DON'T FORCE HEDGE TRIMMER.** It will do the job better and with less likelihood of a risk of injury at the rate for which it was designed.
- **DON'T OVERREACH OR STAND ON UNSTABLE SUPPORT.** Keep good footing and balance at all times. Do not use on ladder.
- **AVOID UNINTENTIONAL STARTING OF TRIMMER.** Before plugging in trimmer, be sure trimmer switch is off. Don't carry trimmer with finger on switch.
- **DISCONNECT (UNPLUG) TRIMMER FROM POWER SUPPLY.** Disconnect the hedge trimmer from power supply when not in use, before servicing, when changing accessories such as blades, when cleaning, and the like.
- **MAINTAIN TRIMMER WITH CARE.** Keep cutting edge sharp and clean for best performance and to reduce the risk of injury. Follow instructions for lubricating and changing accessories. Inspect hedge trimmer cord periodically, and if damaged, have it repaired by an authorized service facility. Inspect extension cord periodically and replace if damaged. Keep handles dry, clean, and free from oil and grease.
- **STORE TRIMMER INDOORS.** When not in use, store trimmer indoors in a dry place where not accessible to children.
- **CHECK DAMAGED PARTS.** Before further use of the hedge trimmer, a guard or other part that is damaged should be carefully checked to determine that it will operate properly and perform its intended function. Check for alignment of moving parts, binding of moving parts, breakage of parts, mounting, and any other condition that may affect its operation. A guard or other part that is damaged should be properly repaired or replaced by an authorized service center unless indicated elsewhere in this manual.
- **DO NOT ATTEMPT TO REPAIR TRIMMER.** For service or repair return the trimmer to your nearest Sears store. See that only identical replacement parts are used.
- **KEEP WORK AREA CLEAN.** Cluttered areas and benches invite accidents.
- **⚠ WARNING:** Do not use without front handle in place. Keep both hands on handles when tool is on.
- **WEAR HEARING PROTECTION DURING EXTENDED PERIODS OF OPERATION.**
- **NEVER USE IN AN EXPLOSIVE ATMOSPHERE.** Normal sparking of the motor could ignite fumes.
- **WHEN SERVICING USE ONLY IDENTICAL CRAFTSMAN REPLACEMENT PARTS.**
- **GROUND FAULT CIRCUIT INTERRUPTER (GFCI) PROTECTION SHOULD BE PROVIDED ON THE CIRCUIT(S) OR OUTLET(S) TO BE USED FOR YOUR HEDGE TRIMMER.** Receptacles are available having built-in GFCI protection and may be used for this measure of safety.

RULES FOR SAFE OPERATION (Continued)

- **EXTENSION CORDS.** The use of any extension cord will cause some loss of power. To keep the loss to a minimum and to prevent tool overheating, be sure to use an extension cord heavy enough to carry the current your product will draw. For lengths less than 100 feet, No. 16 A.W.G. extension cords should be used. Follow the recommended cord sizes on the following chart when using extension cords. If in doubt, use the next heavier gage. The smaller the gage number the heavier the cord. For tools rated 6 amps or less:

Extension Cord Length Wire Size A.W.G.

25 Feet	18
50 Feet	16
100 Feet	16
150 Feet	14

To reduce the risk of disconnection of hedge trimmer from the extension cord during operation:

- (1) Use the extension cord retainer as shown in Figure 5, or
- (2) Make a knot as shown in Figure 6.

- ▲ **WARNING:** Check extension cords before each use. If damaged, replace immediately. Never use tool with a damaged cord since touching the damaged area could cause electrical shock resulting in serious injury.

- **POLARIZED PLUGS.** To reduce the risk of electric shock, this appliance has a polarized plug (one blade is wider than the other) and will require the use of a polarized extension cord. The appliance plug will fit into a polarized extension cord only one way. If the plug does not fit fully into the extension cord, reverse the plug. If the plug still does not fit, obtain a correct polarized extension cord. A polarized extension cord will require the use of a polarized wall outlet. This plug will fit into the polarized wall outlet only one way. If the plug does not fit fully into the wall outlet, reverse the plug. If the plug still does not fit, contact a qualified electrician to install the proper wall outlet. Do not change the equipment plug, extension cord receptacle, or extension cord plug in any way.

- **SAVE THESE INSTRUCTIONS.** Refer to them frequently and use them to instruct others who may use this tool. If you loan someone this tool, loan them these instructions.

▲ WARNING:



The operation of any hedge trimmer can result in foreign objects being thrown into your eyes, which can result in severe eye damage. Before beginning power tool operation, always wear safety goggles or safety glasses with side shields and a full face shield when needed. We recommend Wide Vision Safety Mask for use over eyeglasses or standard safety glasses with side shields, available at Sears Retail Stores.

SAVE THESE INSTRUCTIONS

ASSEMBLY

- ▲ **WARNING:** Your hedge trimmer should never be plugged in while you are assembling parts or making adjustments. Always wear safety goggles or safety glasses with side shields and a full face shield if needed when operating your hedge trimmer.

ASSEMBLY

INSTALLING FRONT HANDLE

See Figures 1 and 2.

After removing your hedge trimmer from its carton, remove the front handle, screw, and lock nut from the plastic bag. Using a flat blade screwdriver, which is the only tool needed for assembly, install as follows:

- Orient front handle so that the side with the molded slot for lock nut will be located on the left side of your hedge trimmer. See Figure 1.
- Place the front handle parallel to the blade guard of your hedge trimmer, then fit the ears of the front handle into the handle slots on the motor housing.

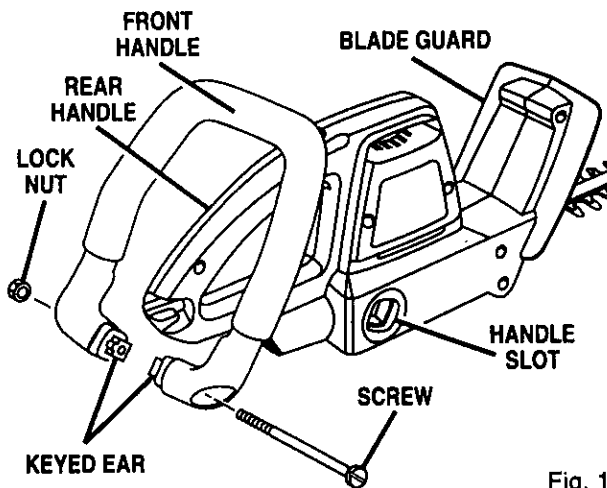


Fig. 1

Note: For your convenience and ease of assembly one of the ears on front handle has been keyed.

- Place your trimmer on a workbench and insert lock nut into molded slot on left side of front handle. See Figure 2.

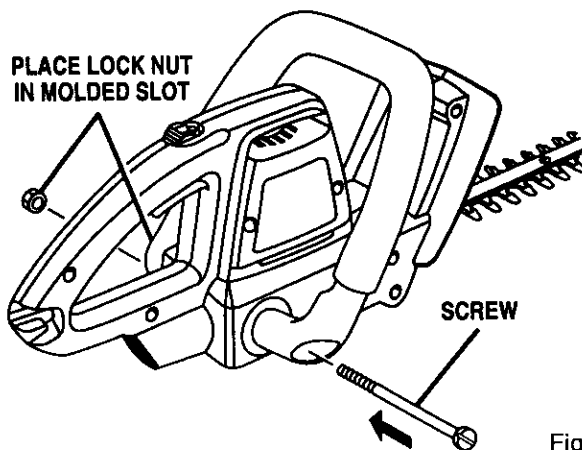


Fig. 2

- Insert screw from right to left through the front handle and motor housing. See the arrow shown in Figure 2.
- Tighten screw securely with a flat blade screwdriver.

OPERATION

WARNING: Before connecting your hedge trimmer to power supply source, always check to be sure it is not in lock-on position (depress and release the switch trigger). Failure to do so could result in accidental starting of your trimmer resulting in possible serious injury. Also, do not lock the trigger on jobs where your trimmer may need to be stopped suddenly.

SWITCH

See Figure 3.

Your hedge trimmer is equipped with a **LOCK-OFF BUTTON**, that reduces the possibility of accidental starting.

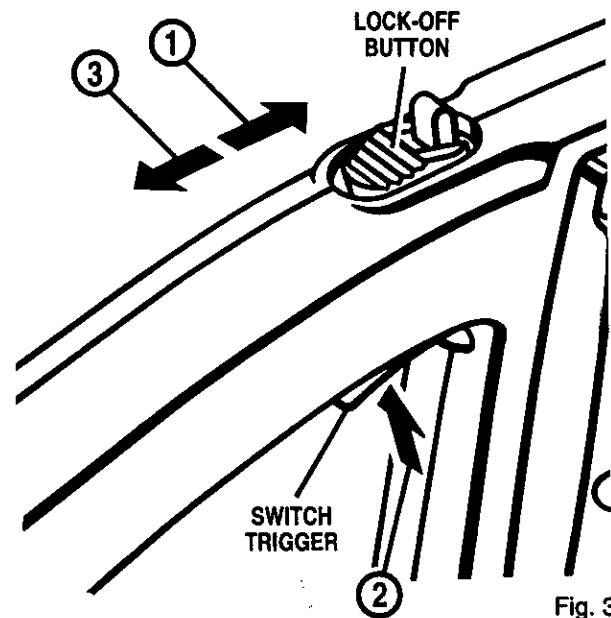


Fig. 3

TO TURN YOUR HEDGE TRIMMER ON

- Slide the lock-off button forward (1).
- Depress and hold the switch trigger (2).
- Release the lock-off button (3).

Note: The lock-off button is located on top of the handle. The lock resets each time the switch trigger is released.

LOCK-ON FEATURE

See Figure 4.

Your hedge trimmer is also equipped with a **LOCK-ON** feature, which is convenient when continuous trimming for extended periods of time is required.

OPERATION

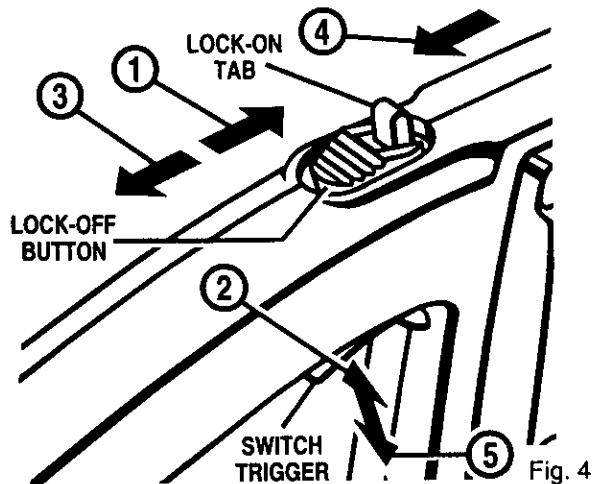


Fig. 4

TO LOCK-ON

- Slide the lock-off button forward (1).
- Depress and hold the switch trigger (2).
- Release the lock-off button (3).
- Pull lock-on tab back with your thumb and hold (4).
- Release switch trigger (5), then release lock-on tab.

TO RELEASE THE LOCK

- Depress the switch trigger and release it.

If you have the lock-on feature engaged during use and your hedge trimmer becomes disconnected from power supply, disengage the lock-on feature immediately.

EXTENSION CORD RETAINER

See Figure 5.

An extension cord retainer has been provided to prevent extension cord from becoming disconnected from your trimmer during use. It is molded into the switch handle of your hedge trimmer. Plug extension cord into plug recess below switch handle, then snugly fit cord into retainer as shown in Figure 5.

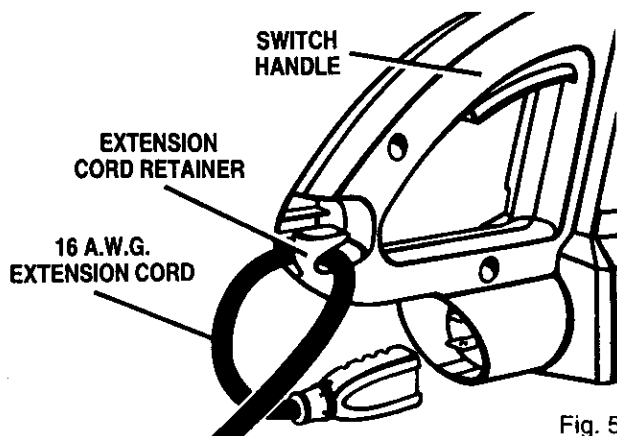


Fig. 5

ALTERNATE METHOD FOR SECURING EXTENSION CORDS

EXTENSION CORD

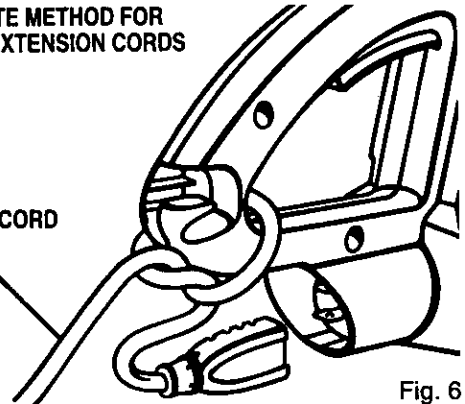


Fig. 6

Extension cord retainer works best with 16 A.W.G. extension cords. When using 18 A.W.G. extension cords the cord may be loose in extension cord retainer. When using 14 A.W.G. extension cords the cord may be tight in extension cord retainer. We suggest an alternate method as shown in figure 6 for securing loose or tight extension cords.

⚠ WARNING: If any parts are missing, damaged, or broken, do not operate your trimmer until they have been replaced. Failure to do so could result in possible serious personal injury.

PREPARING FOR OPERATION

For ease of operation your hedge trimmer has both a front handle and a rear handle. See Figure 7.

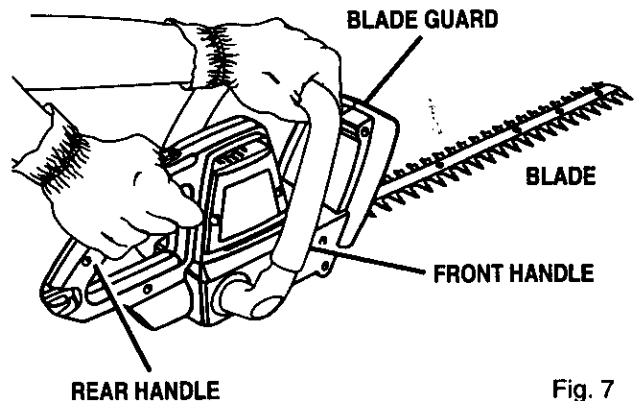


Fig. 7

⚠ WARNING: Check the front handle before each use. Make sure it is securely fastened to your hedge trimmer before using.

For your protection there is a blade guard between the front handle and the blade.

⚠ CAUTION: Do not operate if blade guard becomes broken or damaged.

When using your hedge trimmer hold it with both hands as shown in Figure 7.

OPERATION

⚠ CAUTION: Do not use blade guard as a gripping surface.

⚠ WARNING: Stay alert and watch what you are doing. Do not operate trimmer when fatigued.

TRIMMING A HEDGE

See Figures 8 and 9.

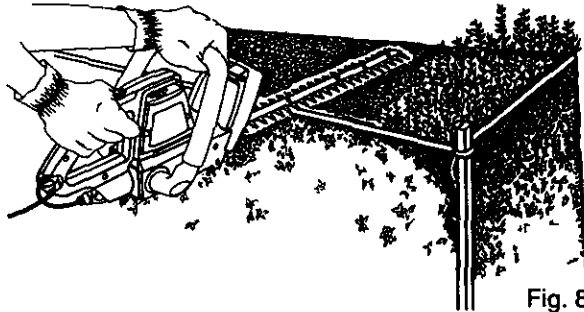


Fig. 8

USE TRIMMER PROPERLY. Hold the hedge trimmer with both hands and with the cutter blade away from you **BEFORE** starting trimmer.

⚠ WARNING: Keep hands and fingers away from moving parts. Any part of body coming in contact with moving parts could result in serious injury.

Always keep cord behind your hedge trimmer when in use. Do not place it over the hedge where it may be cut by the blade.

⚠ WARNING: Cord coming in contact with a moving blade could result in damaged cord. Replace a damaged cord immediately. Never use tool with a damaged cord since touching the damaged area could cause electrical shock resulting in serious injury.

⚠ DANGER: If blade jams on the extension cord, **DO NOT TOUCH THE BLADE! IT CAN BECOME ELECTRICALLY LIVE AND VERY DANGEROUS.** Continue to hold your trimmer by the insulated handles and immediately unplug extension cord from power supply.

If desired, you can use a string to help cut your hedge level. Decide how high you want the hedge. Then, stretch a piece of string along the hedge at this height. Trim the hedge just above this guide line of string. See Figure 8. Trim the side of a hedge so that it will be slightly narrower at the top as shown in Figure 9. More of the hedge will be exposed when shaped this way and its growth will be more uniform.

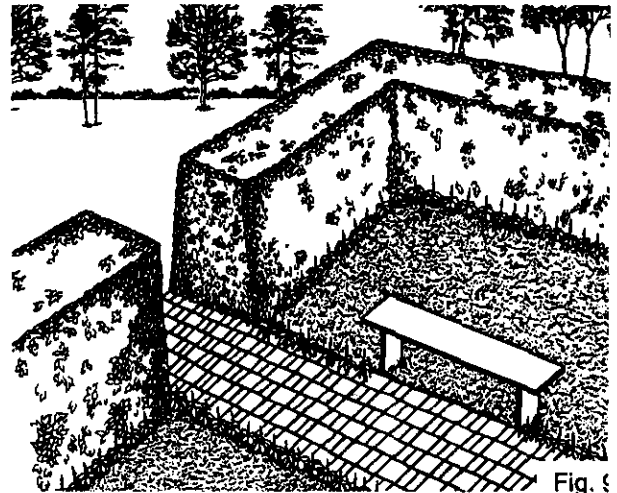


Fig. 9

Wear gloves when trimming thorny or prickly growth. When trimming new growth, use a wide, sweeping action so that the stems are fed directly into the cutter blade. Older growth will have thicker stems and will be trimmed easiest by using a sawing movement. Do not try to cut stems that are larger than 3/8 in. thick or those obviously too large to feed into the cutter blade. Use a non-powered hand saw or pruning saw to cut the larger stems.

⚠ WARNING: To prevent possible serious injury from accidental starting, disconnect your trimmer from power supply and carry by the front handle when not in use.

GUARD AGAINST ELECTRIC SHOCK HAZARD

- Don't use trimmer in rain, in damp or wet locations, or on wet hedges and shrubbery.
- Use only extension cords in good condition and marked "suitable for use with outdoor appliances" having electrical rating not less than rating of trimmer.
- Do not use damaged extension cords.
- Inspect cords periodically and replace if damaged.
- Do not abuse cord.
- Never carry trimmer by cord.
- Do not yank cord to disconnect from receptacles.
- Keep cord away from heat, oil, sharp edges, and moving blades.
- Wear nonskid footwear.

CUSTOMER RESPONSIBILITIES

- ⚠ WARNING:** When servicing use only identical Craftsman replacement parts. Use of any other parts may create a hazard or cause product damage.

SHARPENING THE CUTTER BLADE

See Figure 10.

- Allow your hedge trimmer to come to a stop with the cutter blade and guard positioned as shown in Figure 10. This will allow clearance for the file between cutter teeth and guard teeth.

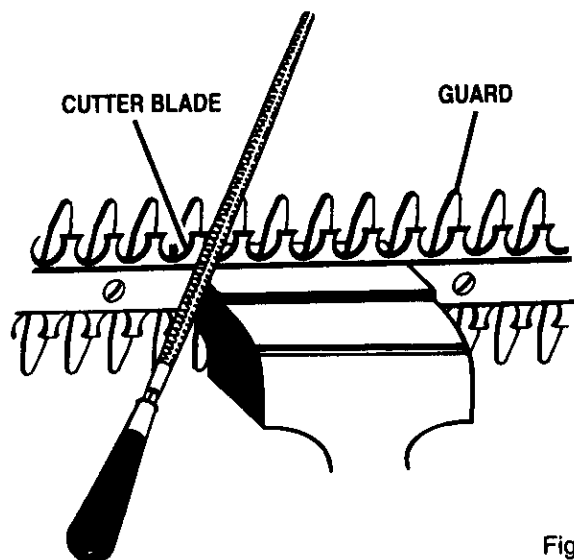


Fig. 10

- **Disconnect Hedge Trimmer from power supply.**
- Clamp the blade assembly in a vise and file the exposed cutting surface of each blade tooth with an 8 inch smooth round file, 1/4 in. or 7/32 in. diameter. Be sure to retain the original angle of tooth when filing.
- Remove the hedge trimmer from the vise, restart it, and stop it so that the unsharpened edges of the blade teeth are exposed.
- **Disconnect** the tool and repeat the sharpening procedure as described above.

LUBRICATION

All of the bearings in this tool are lubricated with a sufficient amount of high grade lubricant for the life of the unit under normal operating conditions. Therefore, no further lubrication is required.

BLADE LUBRICATION

See Figure 11.

Disconnect hedge trimmer from power supply.

For easier operation and longer blade life, lubricate the hedge trimmer blade before and after each use. Before lubricating, be sure the switch is in the **OFF** position and the tool is disconnected from the power supply. Apply light machine oil along the edge of the top strap as shown in Figure 11.

Your trimmer should be stopped, disconnected, and oiled occasionally during use.

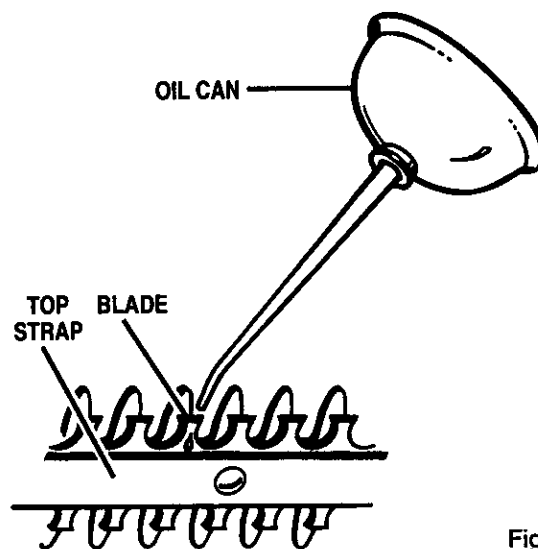


Fig. 11

GENERAL

Avoid using solvents when cleaning plastic parts. Most plastics are susceptible to damage from various types of commercial solvents and may be damaged by their use. Use clean cloths to remove dirt, carbon dust, etc.

- ⚠ WARNING:** Do not at any time let brake fluids, gasoline, petroleum-based products, penetrating oils, etc. come in contact with plastic parts. They contain chemicals that can damage, weaken, or destroy plastic.

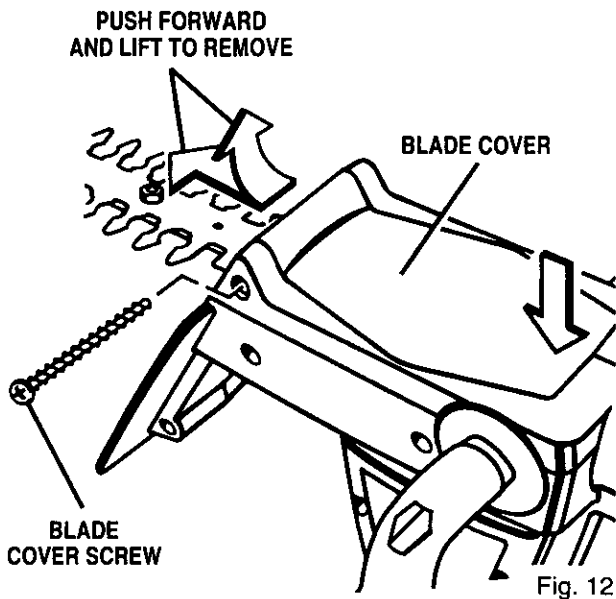
Only the parts shown on parts list, page 13, are intended to be repaired or replaced by the customer. All other parts represent an important part of the double insulation system and should be serviced only by a qualified Sears service technician.

CUSTOMER RESPONSIBILITIES

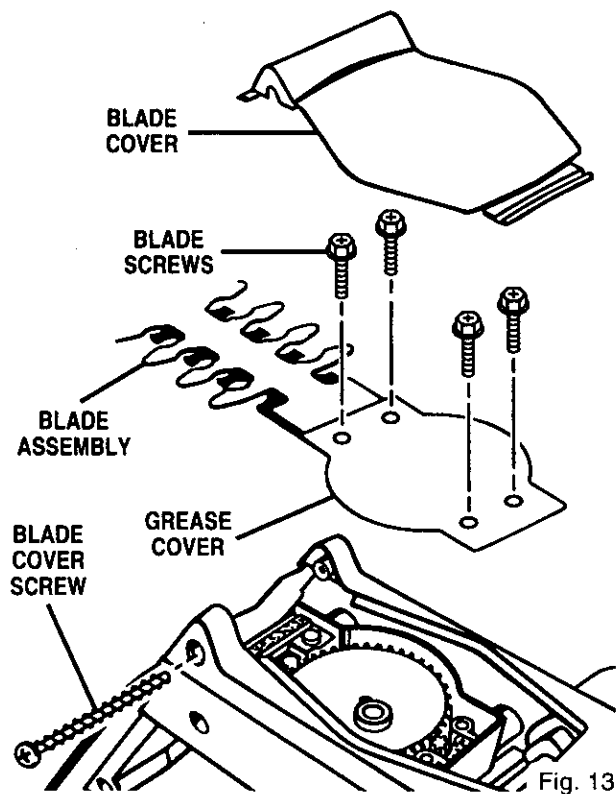
BLADE REPLACEMENT

Disconnect hedge trimmer from power supply.

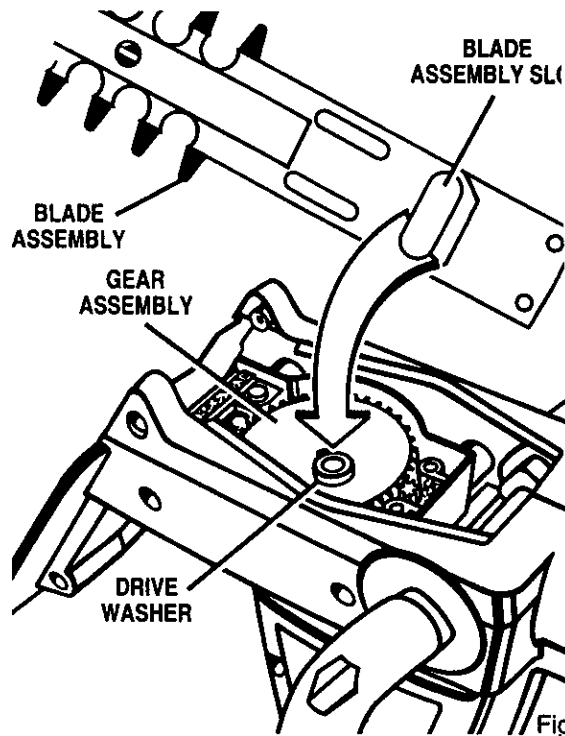
- Remove blade cover screw. See Figure 12.



- Remove blade cover: To remove, push blade cover forward and lift from hedge trimmer.
 - Remove blade screws. See Figure 13.
- Note:** A 5/16 in. socket or nut driver is required to remove blade screws.

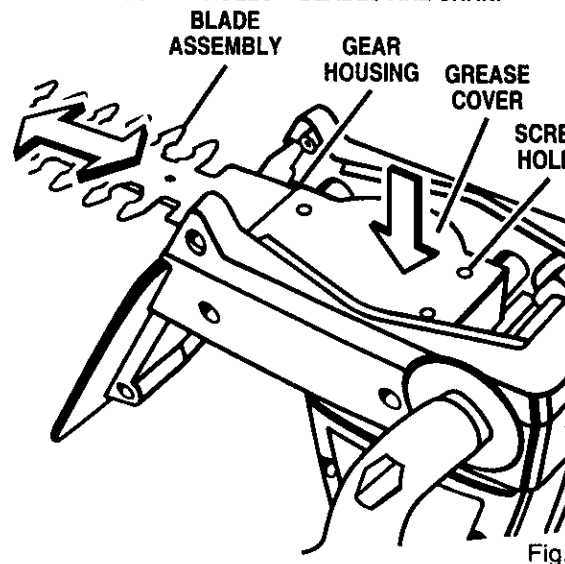


- Remove grease cover and blade assembly.
- Make sure drive washer remains installed on pin.
- Align slot in new blade assembly and grease cover with drive washer on gear assembly. See Figure 14.



- After aligning, continue to hold blade assembly in place, then manually slide blade assembly back and forth until screw holes in grease cover align with screw holes in gear housing. See Figure 15.

CAREFULLY SLIDE BLADE ASSEMBLY TO ALIGN SCREW HOLES—BLADES ARE SHARP



CUSTOMER RESPONSIBILITIES

BLADE REPLACEMENT (Continued)

⚠ WARNING: Blades are sharp. When manually sliding blade assembly, do not place your hand or fingers between blades or in any position where they could get pinched or cut.

■ Replace blade screws. Tighten screws securely.

■ Replace blade cover screw. See Figure 16.

Note: Do not tighten until blade cover has been replaced.

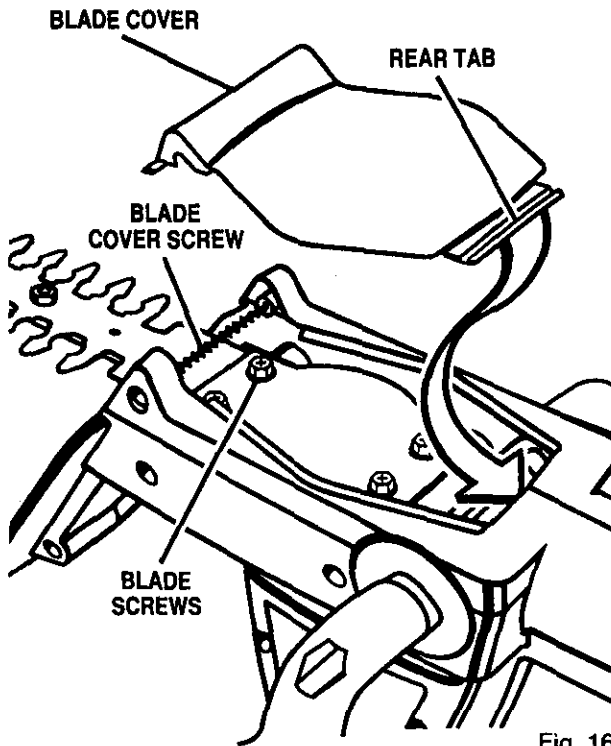


Fig. 16

■ Replace blade cover. Place rear tab inside housing, align front tabs with slots in housing, then slide blade cover back into its correct position. See Figure 17.

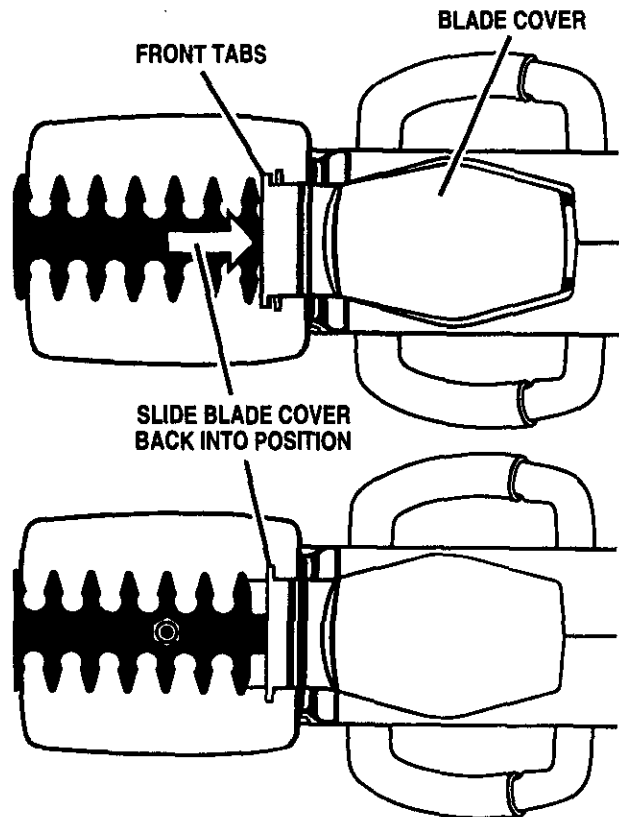


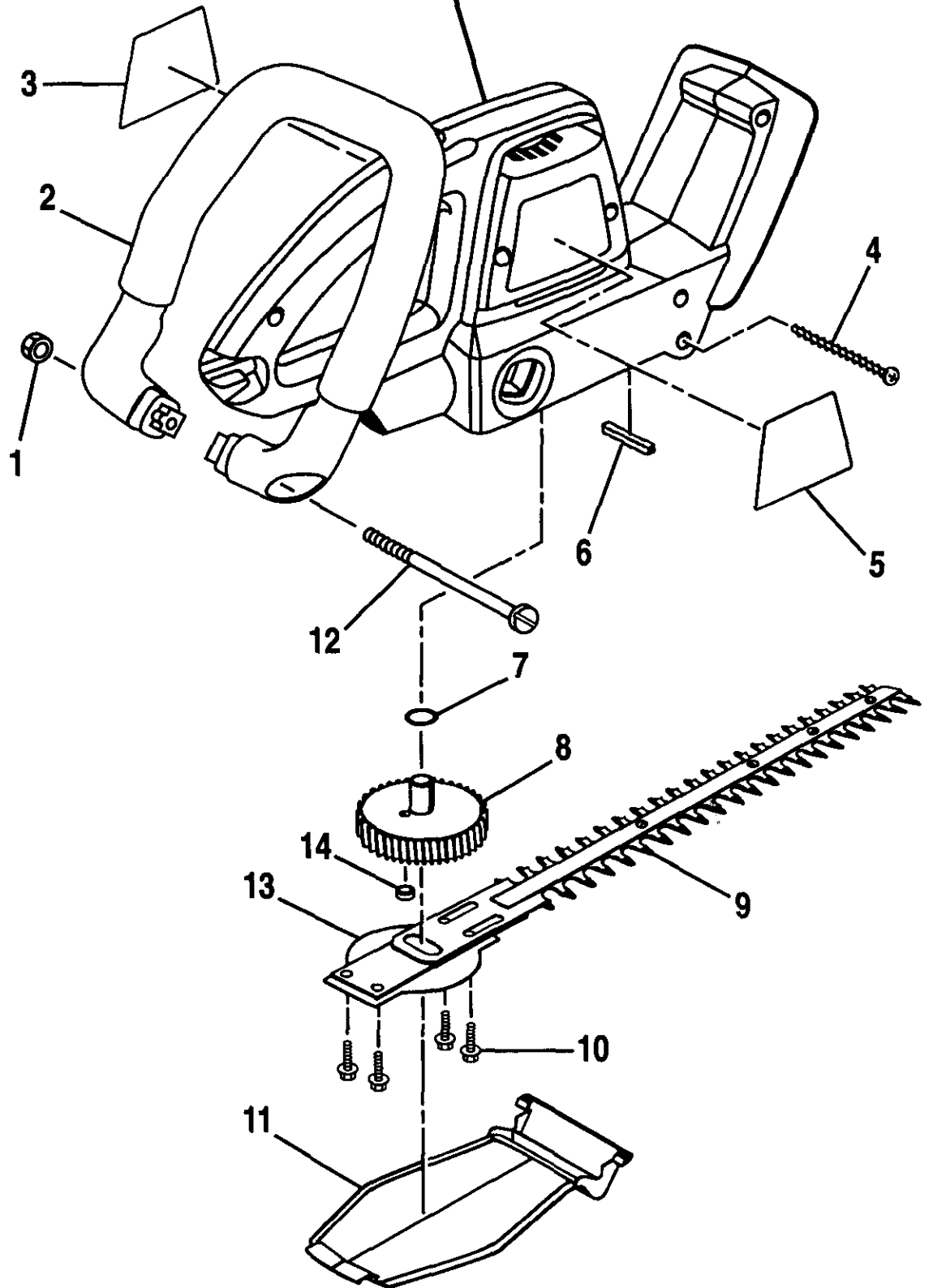
Fig. 17

■ Tighten blade cover screw securely.

⚠ WARNING: Make sure blade cover is replaced before connecting your hedge trimmer to power supply. Failure to do so will expose internal parts which could cause an accident or electrical shock resulting in serious injury.

Note: If binding occurs after replacing blade assembly, repeat the steps above for reassembly.

SEE NOTE "A" PAGE 13



CRAFTSMAN 20 in. HEDGE TRIMMER – MODEL NUMBER 315.798890

The model number will be found on a plate attached to the motor housing. Always mention the model number in all correspondence regarding your **HEDGE TRIMMER** or when ordering repair parts.

SEE BACK PAGE FOR PARTS ORDERING INSTRUCTIONS

PARTS LIST

Key No.	Part Number	Description	Quan.
1	703477-057	Lock Nut (#1/4-20)	1
2	980448-002	Front Handle	1
3	980458-001	Logo Plate	1
4	999306-025	* Screw (#8-19 x 2-3/4 in. Pan Hd. T. F.)	1
5	980456-001	Data Plate	1
6	617900-002	Blade Seal	1
7	990762-001	Washer	1
8	967818-002	Gear Assembly	1
9	662961-012	20 in. Blade Assembly	1
10	990427-001	* Screw (#10-32 x 5/8 in. Washer Hd. T. F.)	4
11	967876-008	Blade Cover	1
12	930517-073	* Screw (#1/4-20 x 4-1/4 in. Rd. Hd.)	1
13	990460-001	Grease Cover	1
14	967506-001	Drive Washer	1
	972000-600	Owner's Manual	

NOTE: "A" - The assembly shown represents an important part of the Double Insulated System. To avoid the possibility of alteration or damage to the System, service should be performed by your nearest Sears Repair Center. Contact your nearest Sears Retail Store for Service Center information.

* Standard Hardware Item - May Be Purchased Locally

For in-home major brand repair service:

Call 24 hours a day, 7 days a week

1-800-4-MY-HOMESM (1-800-469-4663)

Para pedir servicio de reparación a domicilio – 1-800-676-5811

In Canada for all your service and parts needs call
Au Canada pour tout le service ou les pièces – **1-800-665-4455**

For the repair or replacement parts you need:

Call 6 am – 11 pm CST, 7 days a week

PartsDirectSM

1-800-366-PART (1-800-366-7278)

Para ordenar piezas con entrega a domicilio – 1-800-659-7084

For the location of a Sears Parts and Repair Center in your area:

Call 24 hours a day, 7 days a week

1-800-488-1222

**For information on purchasing a Sears Maintenance Agreement
or to inquire about an existing Agreement:**

Call 9 am – 5 pm, Monday – Saturday

1-800-827-6655



The Service Side of Sears

Free Manuals Download Website

<http://myh66.com>

<http://usermanuals.us>

<http://www.somanuals.com>

<http://www.4manuals.cc>

<http://www.manual-lib.com>

<http://www.404manual.com>

<http://www.luxmanual.com>

<http://aubethermostatmanual.com>

Golf course search by state

<http://golfingnear.com>

Email search by domain

<http://emailbydomain.com>

Auto manuals search

<http://auto.somanuals.com>

TV manuals search

<http://tv.somanuals.com>