

THE PH3 PATIO HEATER

Use and Care Guide

Models:

- PHFS-DW-SS
- PHFS-DW-BK
- PHFS-DW-WT
- PHFS-DW-BL
- PHFS-DW-GN
- PHFS-DW-BZ



A Message To Our Customers

We are glad you selected the PH3 by DCS. Because this appliance contains features not found on any other patio heater, we recommend that you read this entire booklet before your first use. Keep it in a handy place as it has answers to questions that may occur during future use. Feel free to contact us if we can help you. When you write please include the model number of the heater. We thank you for buying the patio heater Made in America and wish you many years of enjoyment.

To help serve you better, please fill out and return the Ownership Registration Card and keep this guide handy, as it will help answer questions that may arise as you use your DCS PH3.

For your convenience, product questions can be answered by a DCS Customer Service Representative by phone: **1-714-372-7000**, or Fax: **714-372-7003**,

or by mail:

DCS

Attention Customer Service,

5800 Skylab Road, Huntington Beach, CA 92647

WARNING

If the information in this manual is not followed exactly, a fire or explosion may result causing property damage, personal injury or death.

PRECAUTION

Do not store or use gasoline or other flammable vapors and liquids in the vicinity of this or any other appliance.

WARNING

Improper installation, adjustment alteration, service or maintenance can cause property damage, injury or death. Read the installation, operating and maintenance instructions thoroughly before use, installing or servicing this equipment. For outdoor use only.

FOR YOUR SAFETY WHAT TO DO IF YOU SMELL GAS

- Shut off gas to the appliance.
- Extinguish any open flame.
- If odor continues, immediately call your gas supplier.

**PLEASE RETAIN THIS MANUAL
FOR FUTURE REFERENCE.**

Table Of Contents

SAFETY PRACTICES AND PRECAUTIONS	3
FEATURES.....	4
ASSEMBLY TOOL & FASTENERS	4
ASSEMBLY INSTRUCTIONS.....	5-8
LP GAS HOOK-UP	9
GAS SOUNDNESS.....	10
REFLECTOR SHIELD ASSEMBLY INSTRUCTIONS.....	11
LOCATING HEATER FOR USE.....	12
LIGHTING INSTRUCTIONS	13
STORAGE / INSECT WARNING.....	14
BURNER REMOVAL / INSTALLATION.....	15
PILOT CLEANING.....	16
TROUBLESHOOTING GUIDE.....	17-18
PARTS LIST	19-20
HOW TO OBTAIN SERVICE.....	21
WARRANTY	22

- Read and become familiar with the entire manual.
- Do not use in an explosive atmosphere, keep heater away from areas where gasoline or other flammable liquids or vapors are stored or used.
- Before each use check for damaged parts such as hoses, regulators, pilot or burner.
- Do not attempt to alter unit in any manner, ie: shorten post length, bypass safety valve or operate heater without the reflector.
- Heater must always be placed on a hard and level surface.
- Always maintain proper clearance to combustible materials. (Top 19" sides and rear 27"), see page 12.
- Never replace or substitute the regulator with any other regulator other than a factory suggested replacement.
- It is imperative that the control compartment, burners, and circulating air passageways of the heater must be kept clean. The heater should be inspected before each use, and at least annually by a qualified service person, for the presence of spiders, webs or other insects. The burner area is a common and desired spider haven. Spider webs can present a dangerous condition which can damage the heater and render it unsafe for use.

CHECK THE HEATER IMMEDIATELY IF ANY OF THE FOLLOWING CONDITIONS EXIST


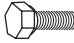





- 1) The smell of gas in conjunction with extreme yellow tipping of the burner flames.
 - 2) The heater does not reach temperature.
 - 3) The heater glow is excessively uneven.
 - 4) The burner makes popping noises during use. (a slight popping noise is normal when the burner is extinguished).
- Installation must be carried out in accordance with local regulations in force.
 - Do not clean heater with combustible or corrosive cleaners.
 - Do not use if wind velocity is greater than 10 miles per hour, because of flame out possibility.
 - To avoid the risk of burns or accidental clothing ignition, do not touch the heater anywhere near the burner assembly during operation.
 - Do not touch the burner assembly or reflector shield until after the heater has cooled for approximately 20 minutes after use.
 - Carefully monitor young children in the vicinity of any operating heater.
 - Never connect an unregulated gas supply.
 - Always ensure that there is ample fresh air ventilation. this unit is for **outdoor use only**.
 - Do not hang clothing or any other flammable materials from, on, or near the heater.
 - A minimum inlet pressure must not exceed 100 psi.
 - The heater is shipped from the factory for LP use. never substitute gases without first converting the heater with a factory supplied conversion kit.
 - A minimum supply pressure of 11.2 in.W.C. is required for the purpose of input adjustment.
 - Do not paint either the emitter screen, valve panel or reflector.
 - All leak tests should be done with a soap solution.
 - Matches should never be used for this purpose.
 - The LP tank should be turned off when the heater is not in use.
 - Do not install unit in basements or below ground level.
 - Avoid twisting the flexible tube. Regularly check the gas supply hose for wear, replace as necessary.
 - Servicing must be carried out by a qualified technician.

Features

- Weatherproof
- Uniform Heat Pattern
- Durable Non-Slip Wheels
- Piezo Spark Ignition
- Heats (16'-20') Diameter Area
- Uses 5 Gallon 20 lbs. LP Tank (**not included**)
- All High Heat Parts Made Of Stainless Steel
- Flame Out Protection Safety Control Valve
- Weighted Base For Stability / Low Maintenance
- Easy Access Door With A Positive Latch
- Large Stainless Steel Emitter Grid
- Adaptable For Natural Gas

TOOLS NEEDED

- Phillips Head Screwdriver
- Pipe Wrench (2" or larger)
- Channel Lock Pliers (Min. 2" Capacity)
- Open End (7/16", 3/4", 7/8", and 15 /16" Wrenches)

FASTENER DIRECTORY				
ITEM	PICTORIAL	DESCRIPTION	PART NUMBER	QTY.
1		1/4-20 ACORN NUT	15019-02	4
2		1/4-20 BOLT	15003-06	8
3		WASHER - FLAT - SS	15005-15	12
4		WASHER - SPLIT - SS	15005-10	4
5		no. 10 - 24 X 1/2 SIS SCREWS	15001-26	3
6		1/4-20 KEPS NUT	15021-09	12
7		NYLON WASHER	15005-08	8

Assembly Instructions

NOTE: Assembly of this heater requires basic mechanical skills. Proper assembly is the responsibility of the installer.

STEP 1

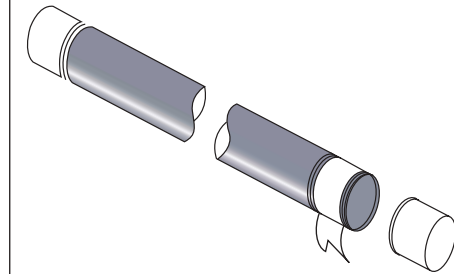
Remove all individual components from all cartons. Dispose of the remaining packaging.

STEP 2

Remove one protective end cap from the intake pipe, make certain pipe threads remain wrapped with white teflon tape.

- Do not tape over the first two threads at the of the intake pipe (fig. 01)

FIG.01

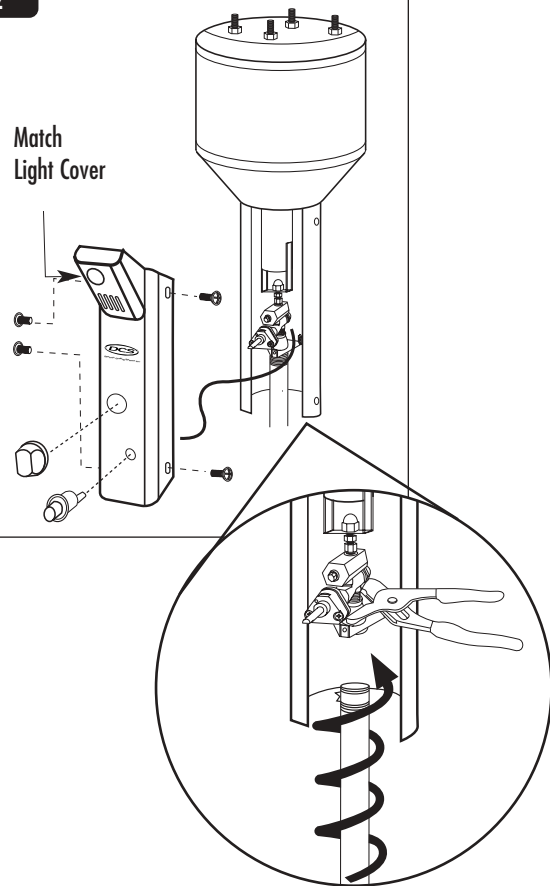


STEP 3

Locate the heater head assembly. Place the head assembly on a stable horizontal surface. Please allow for the entire length of the patio heater when establishing a work area (i.e. workbench, floor). Remove valve panel by removing the knob then the (4) screws. Be careful when removing valve panel so as not to tug on igniter wire that is still attached. Carefully remove wire, (attached with a push/pull connection).

Firmly holding the safety valve with channel lock pliers, thread the intake pipe clockwise into safety valve until tight. Reattach the valve panel and continue to step 4 to attach the post assembly.

FIG.02

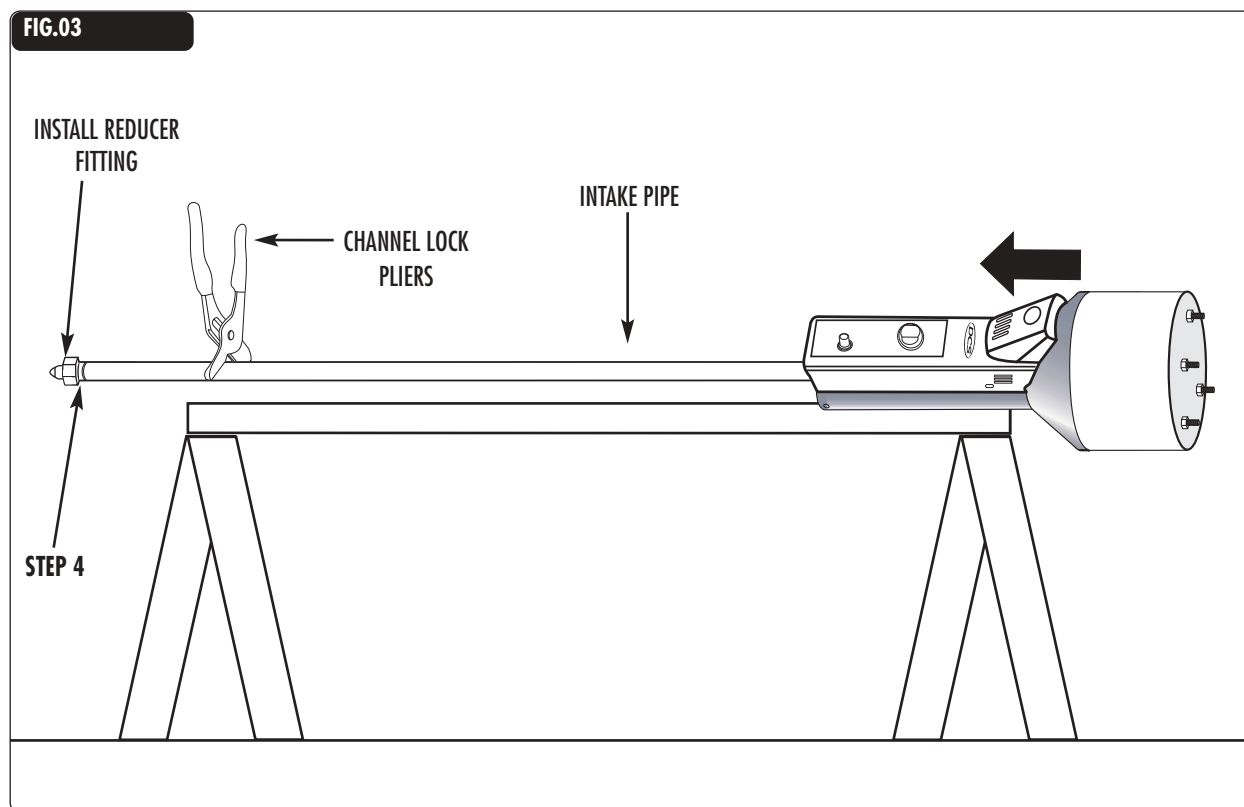


STEP 4

Remove the protective endcap at the bottom of the intake pipe. Make certain that the threads remain bare. Locate the reducer fitting and thread it onto the open end of the intake pipe. Hold the intake pipe above the threads with your channel lock pliers and tighten the reducer fitting clockwise onto the intake pipe.

HARDWARE USED

1) P/N 18159 Reducer Fitting (1)

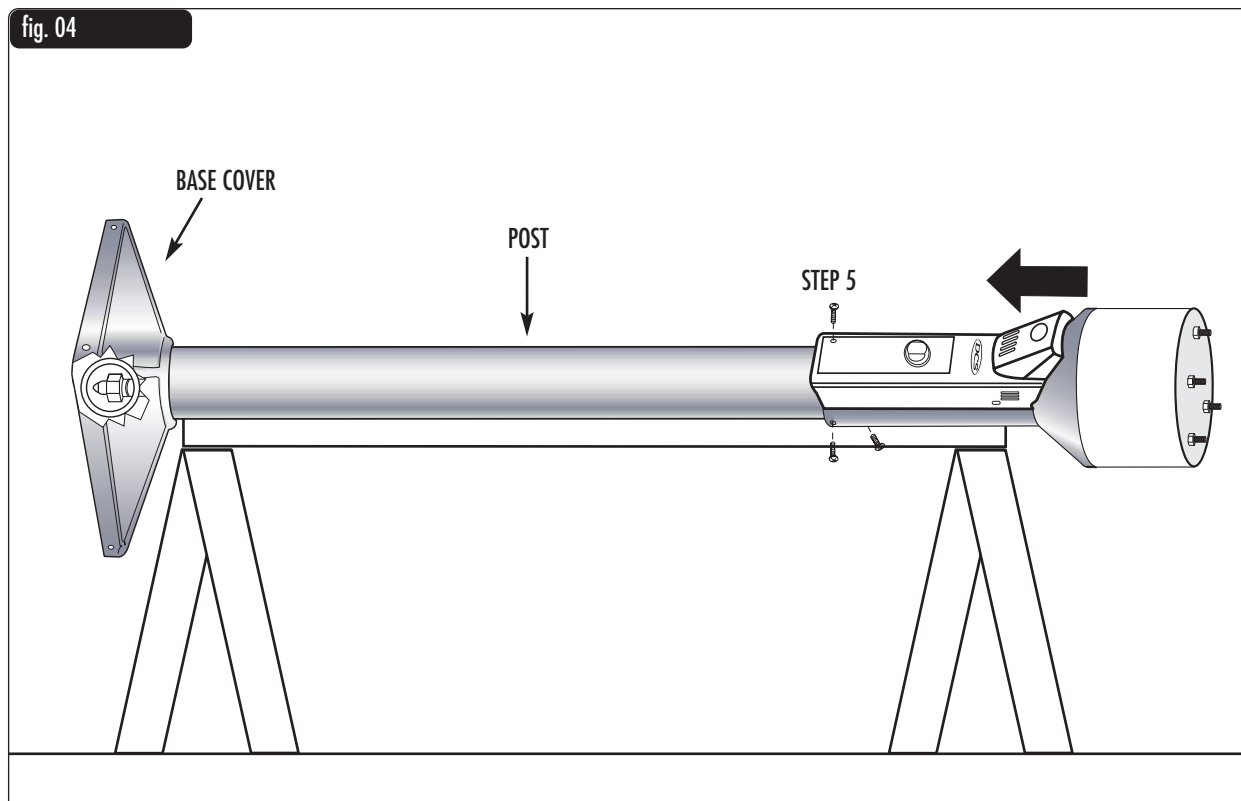


STEP 5

Locate the post assembly. **Carefully** insert the intake pipe through the top of the post assembly being careful not to allow the head assembly to slide too far down the post as undue scraping may occur. Align the screw holes on the panel of the burner head and the post assembly. Fasten the burner and post with the #10 screws.

HARDWARE USED

1) P/N 15001-26 #10 Machine Screws (3)



STEP 6

To join the post assembly with base cabinet you will need to place the base upright on the floor and lift the post assembly and place it onto the cabinet with the burner panel facing the same side as the door. Tighten the (8) nuts and bolts at the bottom of post assembly to the top of the cabinet base. Replace valve panel utilizing step 2 in the reverse order.

HARDWARE USED

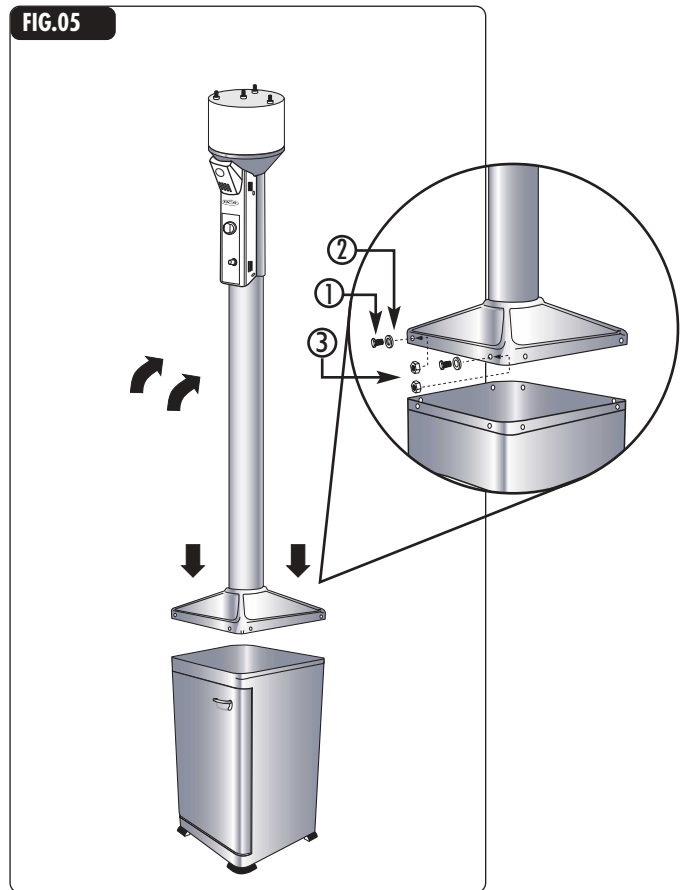
- | | |
|-----------------|--|
| 1) P/N 15003-05 | 1/4-20 Bolts (8) |
| 2) P/N 15005-08 | Washers Nylon (8)
(Painted Models Only) |
| 3) P/N 15021-09 | 1/4-20 Keps Nuts (8) |

STEP 7

Hold the reducer fitting with a 15/16" wrench and tighten the hose / regulator assembly onto the reducer fitting. (See page 20 items 7 & 8)

STEP 8

Do not attach the reflector shield until all leak testing has been completed. This unit is tippable once the post assembly is fastened to the cabinet base and could damage or misshape the reflector shield prior to use.



The heater comes equipped with a regulator/hose assembly for connection to a standard 20 lb. / 5 gallon LP gas tank (**not included**) and 18" tank strap to secure the tank within the base. A dented or rusty LP tank may be hazardous and should be checked by your LP supplier.

Never use an LP tank with a damaged valve. The LP tank must be arranged to provide for vapor withdrawal from the operating cylinder.

Never connect an unregulated LP tank to the heater. The heater is shipped from the factory for LP use, never substitute gases without first converting the heater with a factory supplied conversion kit. Conversion kits are available through customer service.

LP GAS CONNECTION-REFERENCE

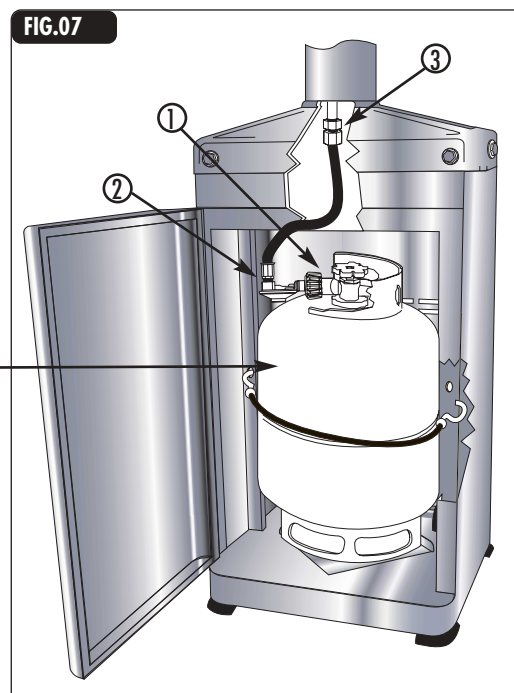
The heater is designed to house a 20 lb. / 5 gallon gas cylinder in the base assembly. Open the door, and place the cylinder into the housing. The regulator can then be screwed into the cylinder. The regulator and the tank have right-handed threads (clockwise to tighten no teflon tape is required). When tightening be careful not to put too much force on the cylinder valve.

CHECK THE FOLLOWING CONNECTIONS

- 1) Regulator to gas cylinder.
- 2) All connections on the hose/regulator assembly.
- 3) The reducer fitting and the intake pipe.
- 4) Intake pipe fitting at base of safety valve. The remaining connections are to be tested after the heater has been lit. (See lighting instructions on page 13).
- 5) Pilot tubing to safety valve.
- 6) Orifice fitting and Safety valve.
- 7) Pilot tubing and the pilot. Once leak tested, close the door and replace the valve panel.

NOTE: Gas connections on the heater head assembly are leak tested at the factory prior to shipment.

GAS CYLINDER
(NOT INCLUDED)

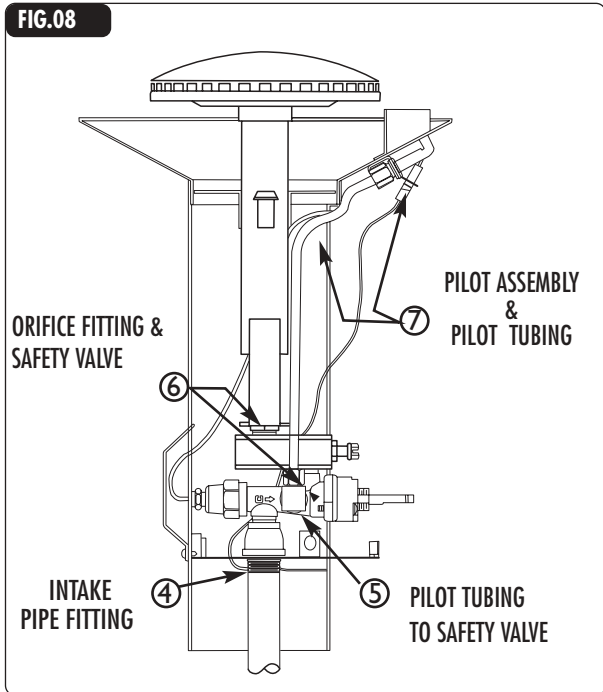


PRECAUTIONS

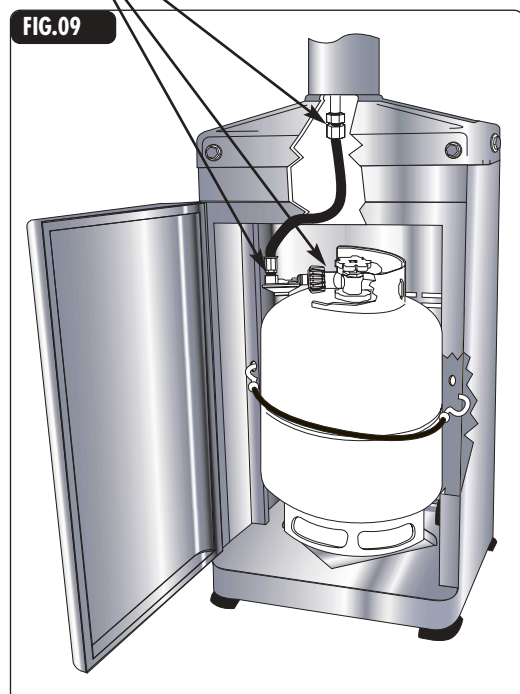
- Periodically check the whole gas system for leaks or immediately check if the smell of gas is detected.
- Extinguish all open flames
- Never leak test while smoking. If you can not stop a leak, turn off the cylinder valve and call the dealer you purchased the heater from or customer service 1-888-281-5698.
- Do not use heater until all connections have been leak tested and do not leak.
- When leak testing, refer to the connections diagrams below.
- Only those parts recommended by the manufacturer should be used.
- Substitution of parts can void warranty.

LEAK TEST

Make a soap solution of one part liquid detergent, and one part water. The soap solution can be applied with a spray bottle, brush or rag, soap bubbles will appear where a leak is present. Make sure the safety valve control knob is in the "OFF" position. Turn the gas supply on check for leaks at leak point. If a leak is present, turn off supply, tighten any leaking fittings, turn gas on and recheck.



TEST POINTS



STEP 9

Locate the cap nuts, washers (4 ea.) and reflector shield. Tip the heater backwards and support it with stable horizontal surface (i.e. sawhorse, workbench step ladder). Install the reflector shield with the cap nuts and washers. *Use caution not to over-tighten or damage the reflector.* Return the unit to its upright position and continue to the next section for recommended locations and usage.

HARDWARE USED

- 1) P/N 15005-15 Washers - Flat (4)
- 2) P/N 15019-07 1/4 Cap Acorn Nuts (4)
- 3) P/N 15005-10 Washers - Split (4)

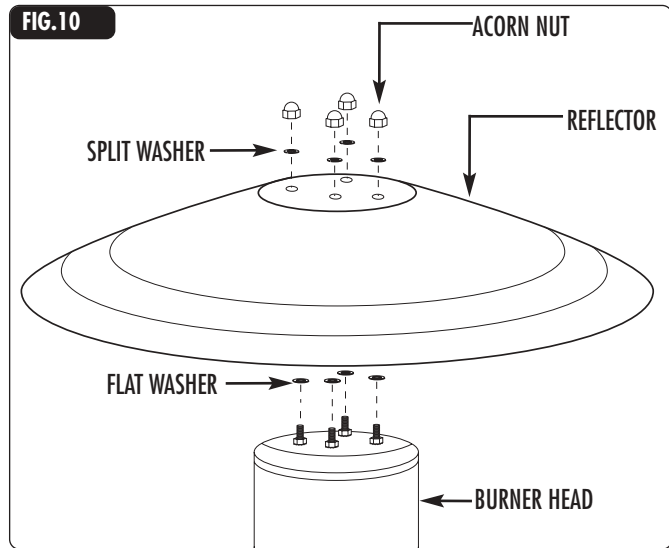
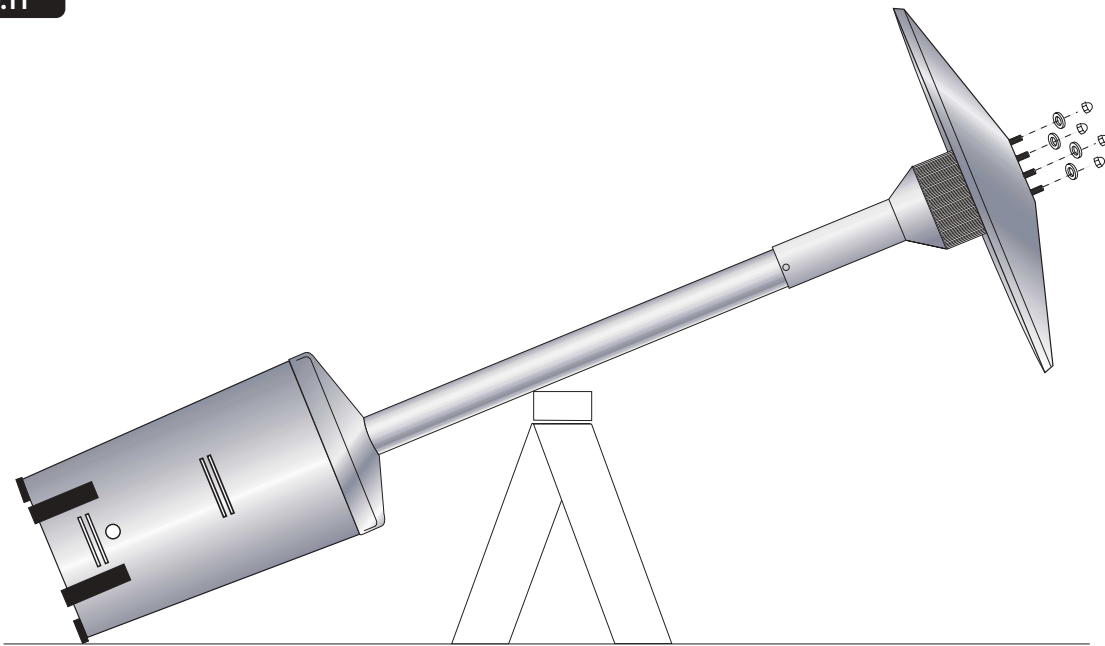


FIG.11



Locating Heater For Use

This outdoor heater is primarily for temporary heating of outdoor patios, decks, spas, pool, and work areas.

This heater is not intended for indoor use or enclosed area use.

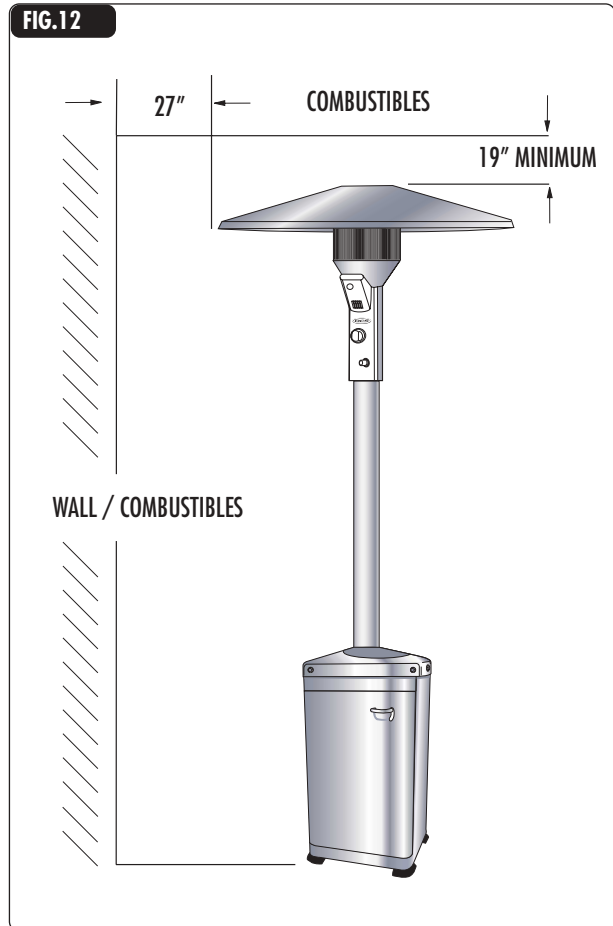
Always ensure that adequate fresh air ventilation is provided.

The minimum clearances to combustible construction shown here must be maintained at all times.

The installation must conform to local codes, or in the absence of local codes, with the standard for the storage and handling of liquefied petroleum gases, ANSI/NFPA 58-1986.

CAUTION: *The heater must be placed on level, firm ground.*

WARNING: *Never operate in an explosive atmosphere keep away from areas where gasoline or other flammable liquids or vapors are stored or used. Heater will engage the ground and start to roll once a minimum angle from center is established.*



BEFORE TURNING THE GAS SUPPLY “ON”

Visually inspect the hose assembly for evidence of excessive abrasion, cuts or wear. If the hose leaks it must be replaced prior to use. The replacement hose assembly shall be that specified by the manufacturer. Make sure the surrounding areas are free of combustible materials, gasoline and other flammable vapors or liquids.

BEFORE LIGHTING

For your safety, if relighting a hot heater, always wait 5 minutes. The heater should be inspected (emitter screen, gas hookup, pilot assembly) before each use, and at least annually by a qualified service person.

To light:

- 1) Open door.
- 2) Make sure regulator hose is connected to the heater intake pipe and regulator is connected to the LP tank with both connections tight and leakproof.
- 3) Turn supply tank valve in a counter-clockwise direction. Check for leaks by applying soapy water to the tank and hose connections.
- 4) Turn control knob counter clockwise to the pilot position.
- 5) Depress and hold in the control knob to begin pilot gas flow, hold in the control knob for (3) minutes on new installations or cylinder changes to purge air from the lines, or (5) seconds for regular relight.
- 6) While depressing knob, depress the igniter button which will snap indicating it has produced a spark which should light the pilot. If not, depress control again and depress the igniter until lit or match light. The pilot is located behind the match hole cover. Rotate the disc upward from the hole for match lighting or viewing (see figure 2 on page 5).
- 7) Once the pilot is lit, continue to hold in the control knob for 30 seconds or until the pilot remains lit after knob is released.
- 8) The burner may now be turned on to the full on position (all the way counter-clockwise) and then reduce to the desired heat range.
- 9) Close door.

Relighting:

- 1) Turn control knob to off position.
- 2) Wait (5) minutes before attempting to relight pilot.
- 3) Repeat steps beginning with step (4) above.

Shut down instructions:

- 1) Turn control knob clockwise to the off position, the burner will make a slight popping sound when extinguished. This is a normal condition.
- 2) Turn LP-tank gas valve clockwise to “OFF” position when heater is not in use.

Storage And Insect Warning

NOTE: *When storing the heater, the connection between the LP cylinder and the heater must be disconnected and the LP cylinder removed and stored outdoors in a well ventilated area.*

SPIDER & INSECT WARNING:

Spiders or insects can nest in the burners or orifices of this or any outdoor gas appliance. This is a very dangerous condition which can damage the heater and render it unsafe for use. You must inspect the burner at least once a year or immediately if any of the following conditions occur:

- 1) The smell of gas in conjunction with extreme yellow tipping of burner.
- 2) The heater does not reach temperature.
- 3) The heater glow is excessively uneven.
- 4) The burner makes popping noises.

If blockage exists, clean the burner immediately (see page 14).

CLEANING:

Cleaning must be done when the heater is **COLD**. Your heater will last longer if maintained properly. It is important that the flow or combustion air must never be obstructed. Orifices and air openings must be kept free of dirt and spiderwebs. **NEVER** use a cleaning agent which is flammable or corrosive.

DCS recommends on painted models that the heater body components; below the stainless steel burner head (post, door, and cabinet base) are periodically protected with a coat of automobile wax. If repainting is necessary, paint only the post/base assembly. Do not paint the safety valve cylinder, valve panel or instruction plate.

The ports of the burner head must remain clear so that the gas flow is unrestricted. The air inlet of the venturi tube must also be kept clear for combustion air supply. If the heater is not performing properly it may be necessary to clean the burner. See the next section for burner removal.

Burner Removal And Installation

NOTE: Unit must be cold before removal

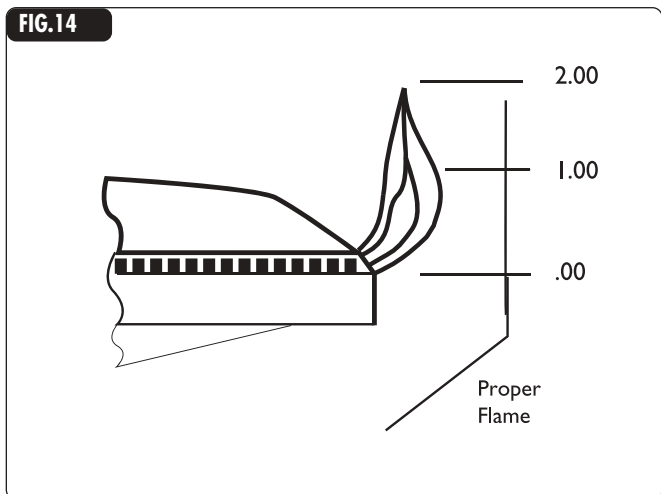
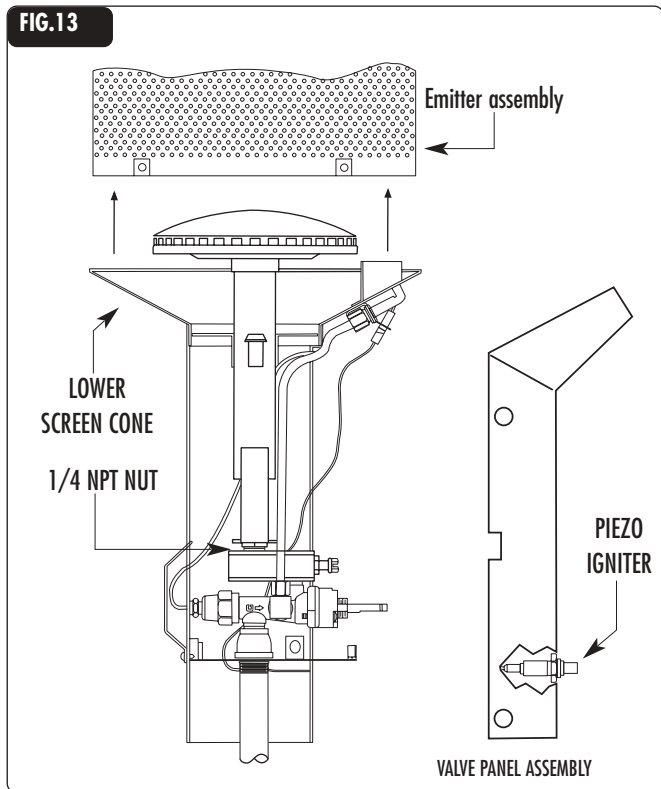
BURNER REMOVAL

- 1) Remove reflector and emitter assembly by removing the screws that fasten the emitter assembly to the lower screen cone.
- 2) Remove valve panel; avoid tugging the ignition wire attached to backside of the valve panel at the igniter.
- 3) Remove the 1/4 NPT nut (using a 7/8 open end wrench) which holds the burner head to the orifice fitting. Remove the burner.

Any debris in the opening of the burner assembly can be cleared with a straightened piece of coat hanger. Any rust can be removed with a wire brush. Never use wood or plastic objects to clear ports, wood or plastic can break and block the ports.

BURNER INSTALLATION

Install the burner assembly by reversing the (3) steps used for disassembly making certain the burner assembly stands centered when complete. After reassembly, the heater should be tested observe the burner flame. It should be as shown with the flame being blue with slight yellow tipping.

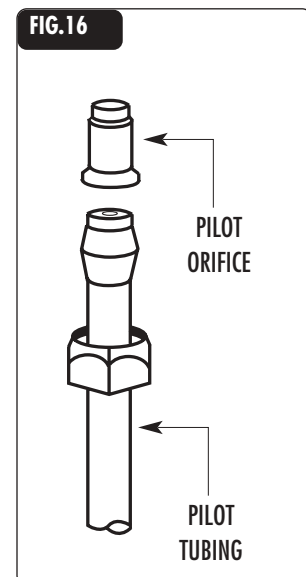
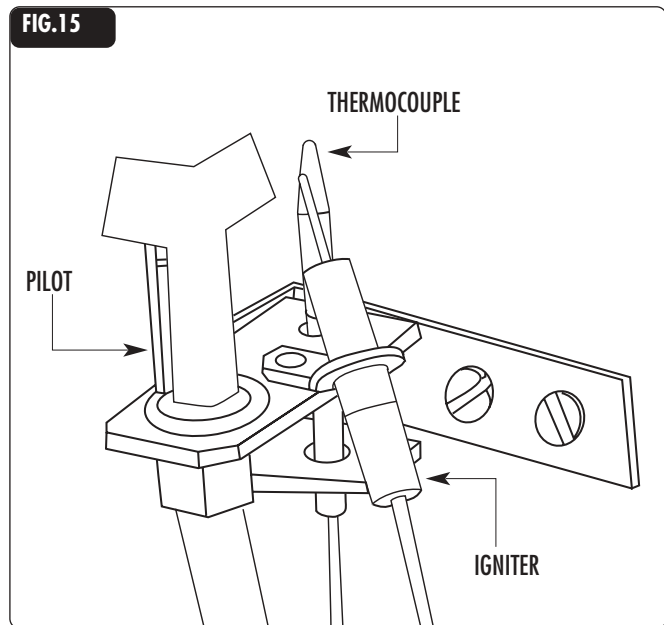


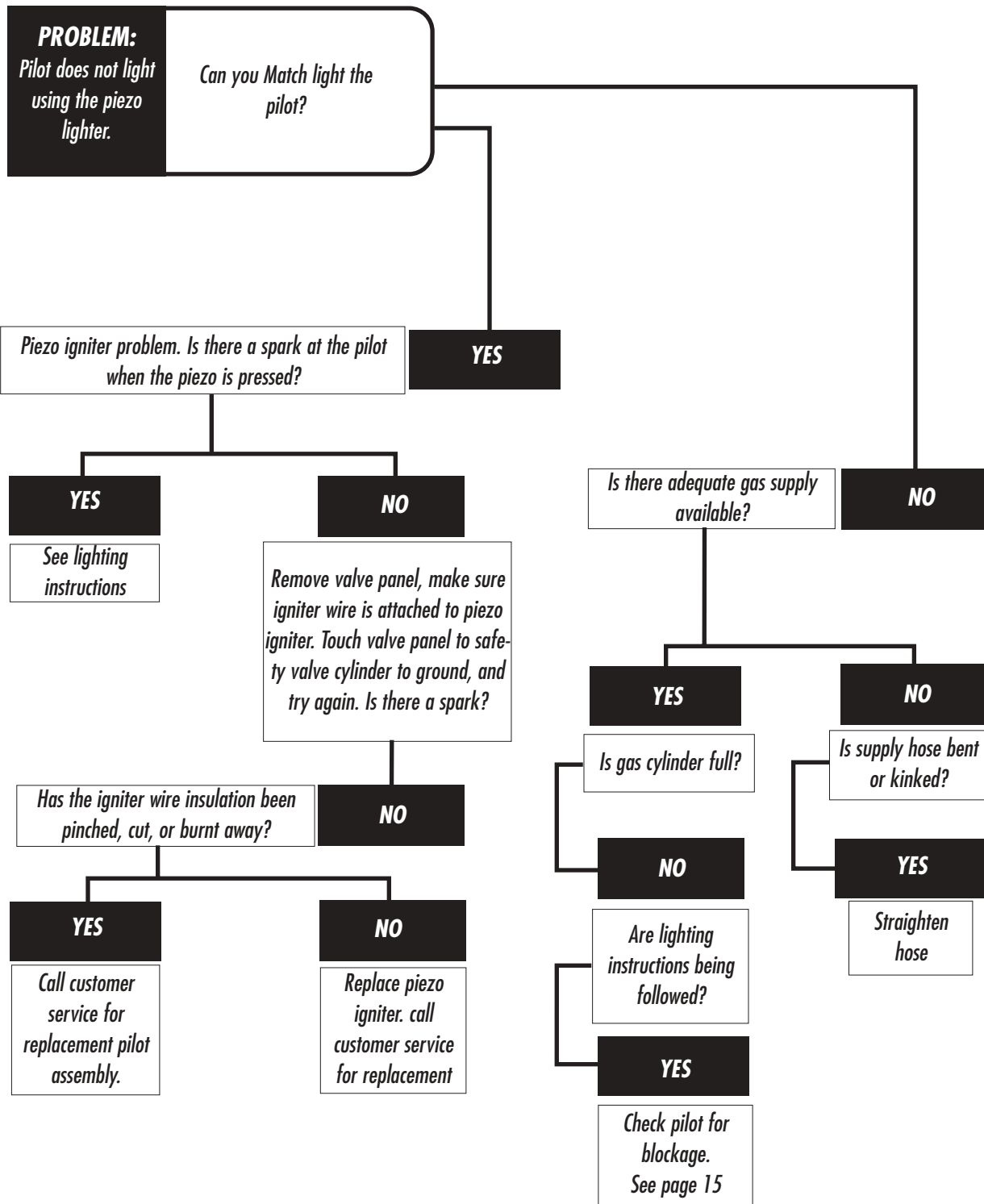
Pilot Cleaning

When storing the heater the connection between the LP cylinder and the heater must be disconnected and the LP cylinder removed and stored outdoors in a well ventilated area.

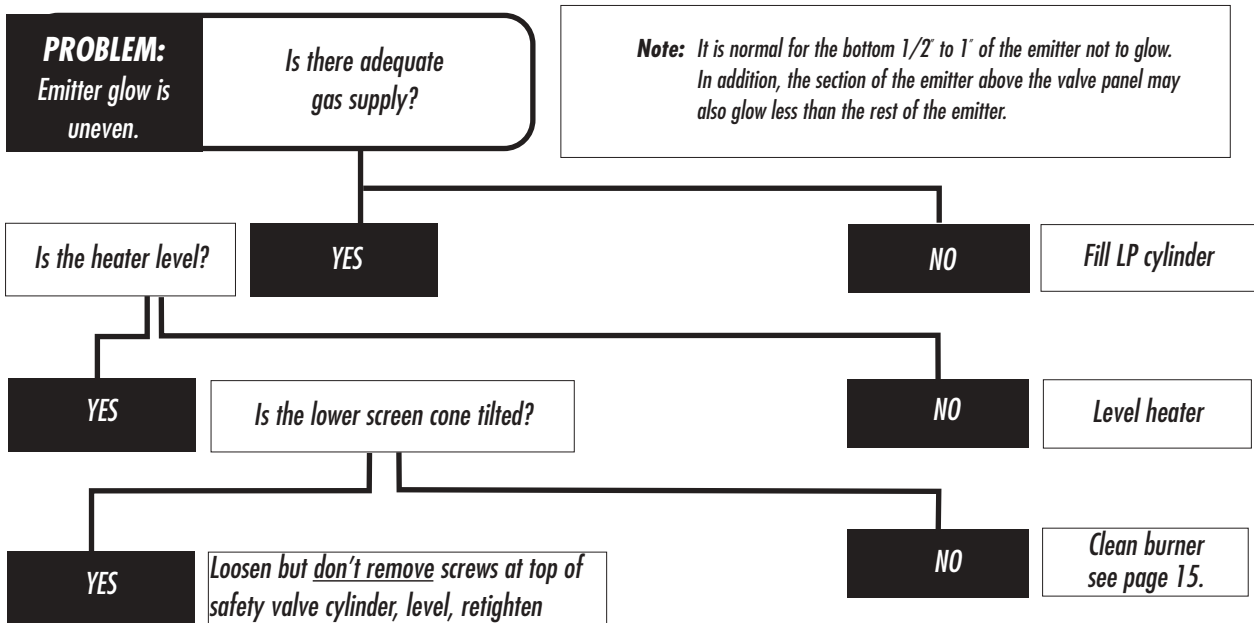
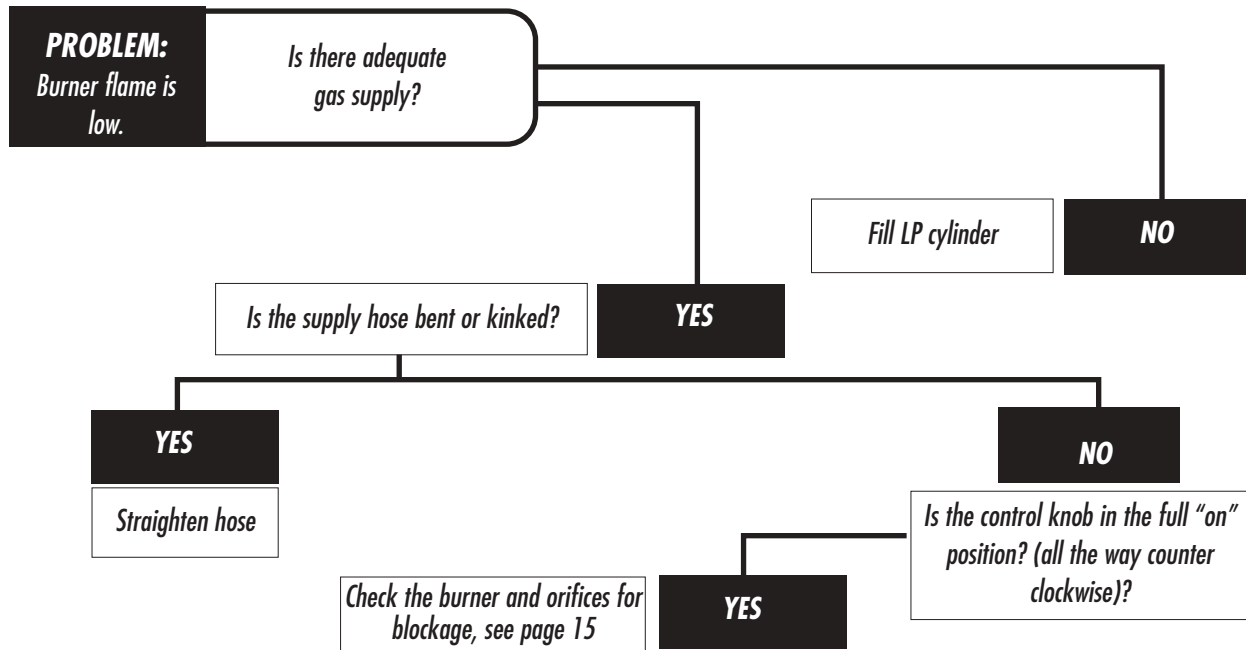
- 1) Removing the valve panel to gain access to the pilot. (see figure 2 on page 5).
- 2) Remove the screw which fastens the pilot to the lower screen cone.
- 3) Hold the pilot with pliers, loosen and remove the nut at the base of the pilot.
- 4) Inspect the pilot and tubing for blockage, you should be able to see through the pilot. If obstructed by debris clear with a piece of wire.
- 5) The cap-like pilot orifice can be cleaned with a sewing needle. Use the needle gently on inside of the orifice to clear debris.
Never enlarge the opening of the pilot orifice.

The pilot burner provides a flame to light the main burner. It also heats a thermocouple which must be hot before allowing the main burner to come on. If the pilot is blocked (by debris, spider webs, etc); the pilot flame may be small and the thermocouple may not heat up enough for the main burner to come on. If this occurs it will be necessary to clean the pilot.





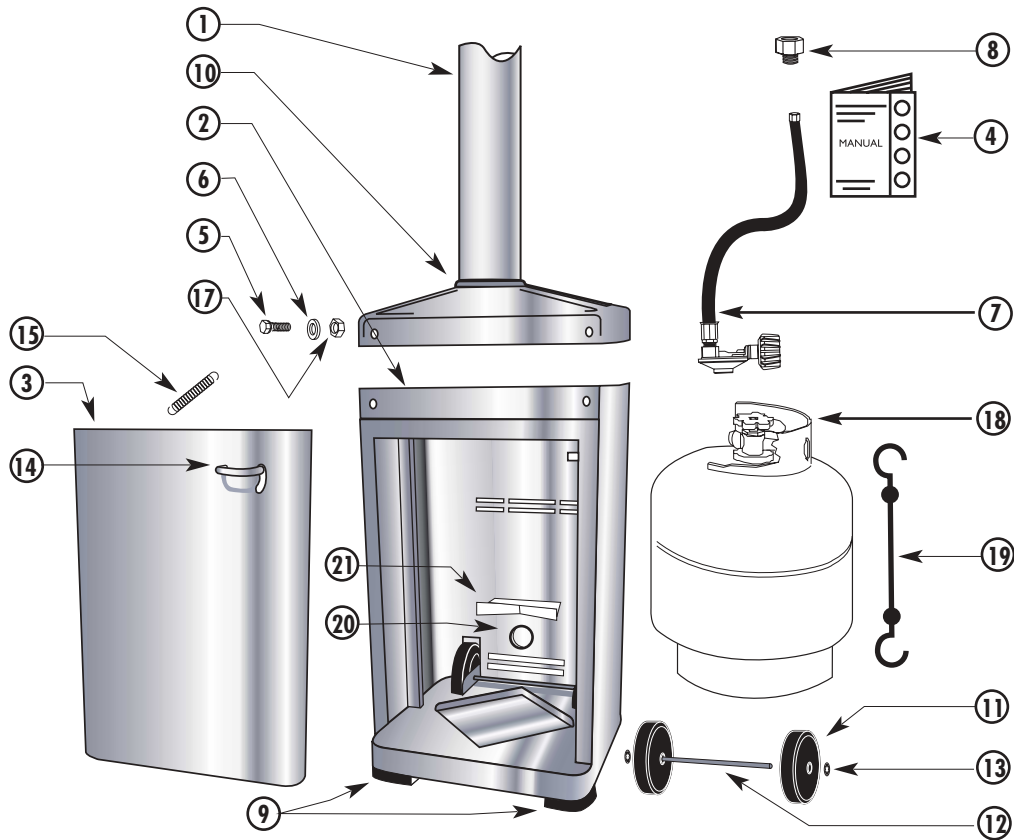
Troubleshooting



Parts List

ITEM	PART NO.	DESCRIPTION
1.	23121-XX	Post Assembly (1)
2.	23096-XX	Base Assembly (1)
3.	23106-XX	Door (1)
4.	17314	Manual (1)
5.	15003-15	1/4-20 Bolt (8)
6.	15005-8	Nylon Washer (8)
7.	13230	90° Reg./Hose Assembly
8.	18159	Reducer Fitting (1)
9.	18290	Rubber Foot (4)
10.	23122	Rubber Collar (1)
11.	18143	6" Wheel (2)
12.	23112	Axle (1)
13.	18023	Cap Nuts (2)
14.	18024-03	Door Handle (1)
15.	23119	SS Spring (1)
16.	23108	Latch Bracket (1)
17.	15021-09	1/4-20 Hex Nut (8)
18.	18201	LP Tank (1)
19.	23114	18" Tank Strap (1)
20.	14088	Grommet (1)
21.	23112	Tank Retainer

Note : Please specify your model color when reordering post, base assembly, or door (items 1-3).



HOW TO OBTAIN SERVICE:

For warranty service, contact DCS Customer Service at (888) 281-5698.

Before you call, please have the following information ready:

- Model Number
- Serial Number
- Date of installation
- A brief description of the problem

Your satisfaction is of the utmost importance to us. If a problem cannot be resolved to your satisfaction, please write or fax us at:

Write:

DCS
Attention: Consumer Relations
5800 Skylab Road
Huntington Beach, CA 92647

Fax us at: (714) 677-1270

LENGTH OF WARRANTY

One (1) Year Full – Covers the entire product (**excludes emitter screen**).

Five (5) Years Limited – Covers all stainless steel (**components only, excludes emitter screen**).

DCS WILL PAY FOR:

All parts found to be defective due to materials or workmanship, all repair labor and replacement parts covered one full year from date of purchase. Service must be provided by Authorized Factory Agent during normal working hours.

DCS WILL NOT PAY FOR:

- Installation, assembly or start-up.
- Normal adjustment to burner.
- Cleaning and / or general maintenance.
- Shipping damage.
- Service by an unauthorized agency. Damage or repairs due to device by unauthorized agency or the use of unauthorized parts.
- Overtime, weekends and holidays.
- Improper assembly, such as no regulator, improper hook-up, etc.
- Damage or repairs related to spider or insect nesting.
- Damage due to weather conditions.
- Service visits to correct the installation or assembly
- Repairs due to other than normal use.
- Damage caused from accident, abuse, alteration, misuse, incorrect installation or installation not in accordance with local codes.
- Supply the user with operational assistance.
- To repair rented heaters.

This warranty is for products purchased and retained in the 50 states of the U.S.A., the District of Columbia and Canada. This warranty applies even if you should move during the warranty period. Should the appliance be sold by the original purchaser during the warranty period, the new owner continues to be protected until the expiration date of the original purchaser's warranty period. This warranty gives you specific legal rights. You may also have other rights which vary from state to state.

CHAUFFERETTE DE PATIO PH3

Guide d'utilisation et d'entretien

Modèles :

- PHFS-DW-SS
- PHFS-DW-BK
- PHFS-DW-WT
- PHFS-DW-BL
- PHFS-DW-GN
- PHFS-DW-BZ



Nous sommes heureux que vous ayez choisi la chauffeurette PH3 de DCS. Étant donné que cet appareil est doté de caractéristiques que l'on ne trouve pas dans d'autres chauffeurettes de patio, nous vous recommandons de lire intégralement ce manuel avant la première utilisation. Gardez-le à portée de main car vous y trouverez des réponses à des questions susceptibles de surgir à l'avenir. N'hésitez pas à nous contacter si vous avez besoin d'aide. Si vous nous écrivez, n'oubliez pas d'inclure le numéro de modèle de la chauffeurette. Nous vous remercions de l'acquisition de la chauffeurette de patio, de fabrication américaine, et vous souhaitons des années de plaisir en l'utilisant.

Aidez-nous à mieux vous servir en remplissant la Carte d'enregistrement du propriétaire et en nous la renvoyant. Gardez ce manuel à portée de main afin de trouver rapidement réponse à vos questions durant l'utilisation de l'appareil PH3 de DCS.

Si vous avez des questions au sujet de notre produit, communiquez avec un représentant du service à la clientèle DCS par téléphone : 1-714-372-7000, ou par télécopieur : 714-372-7003,

ou par courrier :

DCS

Attention: Customer Service,

5800 Skylab Road, Huntington Beach, CA 92647 États-Unis

AVERTISSEMENT

Si les informations de ce manuel ne sont pas suivies à la lettre, un incendie ou une explosion peuvent se produire et causer des dommages matériels, des blessures ou la mort.

MESURE DE PRÉCAUTION

Évitez de stocker ou d'utiliser de l'essence ou toutes autres vapeurs et liquides inflammables à proximité de cet appareil ou de tout autre appareil.

AVERTISSEMENT

Toute installation, ajustement, altération ou entretien incorrect peut causer des dommages matériels, des blessures ou la mort. Veuillez lire soigneusement ces instructions d'installation, d'utilisation et d'entretien avant d'utiliser, installer ou effectuer l'entretien de cet appareil. Pour usage en plein air uniquement.

CONSIGNES DE SÉCURITÉ SI VOUS SENTEZ UNE ODEUR DE GAZ

- Fermez l'alimentation en gaz de l'appareil.
- Éteignez toute flamme vive.
- Si l'odeur persiste, appelez immédiatement votre fournisseur de gaz.

**VEUILLEZ CONSERVER CE MANUEL
À TITRE DE RÉFÉRENCE.**

MESURES DE SECURITE ET DE PRECAUTION	3
CARACTERISTIQUES.....	4
OUTILS ET ATTACHES	4
INSTRUCTIONS DE MONTAGE.....	5-8
BRANCHEMENT DU GAZ.....	9
ETANCHEITE	10
INSTRUCTIONS DE MONTAGE DU REFLECTEUR.....	11
DEGAGEMENT A RESPECTER.....	12
INSTRUCTIONS D'ALLUMAGE	13
ENTREPOSAGE / MISE EN GARDE RELATIVE AUX INSECTES.....	14
DEMONTAGE / INSTALLATION DU BRULEUR.....	15
NETTOYAGE DU PILOTE.....	16
RESOLUTION DES PROBLEMES.....	17-18
PIECES DE RECHANGE	19-20
POUR L'OBTENTION DE SERVICE	21
GARANTIE	22

- Lisez ce manuel en entier afin de vous familiariser avec cet appareil.
- N'utilisez pas la chaufferette dans une atmosphère explosive. Conservez-la loin des endroits où sont entreposés ou utilisés des liquides ou des produits aux vapeurs inflammables.
- Avant chaque utilisation, inspectez l'appareil afin de détecter toute détérioration des tuyaux, du régulateur, du pilote ou du brûleur.
- N'essayez pas de modifier l'appareil, de raccourcir son mât, de contourner l'interrupteur d'alimentation ou de faire fonctionner la chaufferette sans son réflecteur.
- Placez toujours la chaufferette sur une surface solide et plane.
- Respectez toujours le dégagement nécessaire par rapport aux matériaux combustibles (50 cm/19 po au-dessus de la chaufferette et 70 cm/27 po sur les côtés et à l'arrière). Voir page 12.
- Ne remplacez jamais le régulateur par un modèle non recommandé par le fabricant.
- Il est essentiel de veiller au dégagement et à la propreté du panneau de commande, du brûleur et de l'alimentation en air de la chaufferette. Inspectez l'appareil avant chaque utilisation et faites-le inspecter au moins une fois l'an par un technicien qualifié, afin de vérifier la présence de toiles d'araignées ou d'insectes. Les araignées semblent avoir un faible pour le brûleur et il arrive qu'elles s'y introduisent. Les toiles d'araignées constituent un danger, car elles bouchent parfois le brûleur et le rendent non sécuritaire.

INSPECTEZ IMMEDIATEMENT LA CHAUFFERETTE DANS LES CIRCONSTANCES SUIVANTES :








- 1) Vous sentez une odeur de gaz et la pointe de la flamme du brûleur est jaune.
 - 2) La chaufferette n'atteint pas la température désirée.
 - 3) Le rayonnement de la chaufferette est inégal.
 - 4) Le brûleur émet des bruits secs lors de son utilisation (un léger bruit sec est normal lorsqu'on éteint le brûleur).
- L'installation doit être effectuée conformément à la réglementation en vigueur.
 - Ne nettoyez pas la chaufferette avec du combustible ou des nettoyants corrosifs.
 - N'utilisez pas la chaufferette si la vitesse du vent est supérieure à 15 kilomètres à l'heure (10 MPH), afin d'éviter que la flamme ne s'éteigne.
 - Afin d'éviter de vous brûler ou que vos vêtements ne prennent feu, ne touchez pas à la chaufferette près du brûleur en cours d'utilisation.
 - Laissez refroidir la chaufferette pendant environ 20 minutes après l'avoir éteinte avant de toucher au brûleur ou au réflecteur.
 - Surveillez toujours les enfants lorsqu'ils sont à proximité d'une chaufferette allumée.
 - N'alimentez jamais la chaufferette à partir d'un réservoir de gaz non homologué.
 - Veillez toujours à ce que l'aération soit abondante. **S'utilise uniquement à l'extérieur.**
 - Ne déposez ni vêtement, ni matière inflammable sur la chaufferette ou près de celle-ci.
 - La pression d'alimentation ne doit pas dépasser 100 lb/po² (psi).
 - La chaufferette est réglée en usine pour fonctionner au propane. Ne l'alimentez jamais au gaz naturel sans avoir au préalable modifié ce réglage au moyen de la trousse de conversion fournie par le fabricant.
 - Lorsqu'on alimente la chaufferette au moyen du gaz naturel, la pression d'alimentation doit être au minimum celle d'une colonne d'eau de 11,2 pouces.
 - N'appliquez aucun enduit ou peinture sur la grille radiante, le panneau de commande ou le réflecteur.
 - Recherchez toute fuite au moyen d'une solution savonneuse.
 - N'utilisez jamais une allumette à cette fin.
 - Fermez le robinet du réservoir de propane lorsque vous n'utilisez pas la chaufferette.
 - Évitez d'installer l'appareil dans le sous-sol ou en dessous du niveau du sol.
 - Évitez d'entortiller le tube flexible. Inspectez régulièrement le tuyau d'alimentation en gaz au cas où il serait usé, et remplacez-le le cas échéant.
 - L'entretien doit être confié à un technicien qualifié.

Caractéristiques

- Résiste aux intempéries
- Dégage une chaleur uniforme
- Roues antidérapantes résistantes
- Allumage piézoélectrique
- Chauffe une aire d'un diamètre de 5 à 7 mètres (16 à 20 pieds)
- Loge un réservoir de propane de 5 gallons ou 20 livres (**non inclus**)
- Toutes les pièces exposées à la chaleur intense sont fabriquées en acier inoxydable
- Interruption automatique de l'alimentation en cas d'extinction
- Base lestée stable / entretien minime
- Accès facile, porte verrouillable
- Grille radiante surdimensionnée en acier inoxydable
- Peut être alimentée au gaz naturel

OUTILS NECESSAIRES

- Tournevis Phillips
- Clé à tuyau (2 po ou davantage)
- Pince ajustable (ouverture d'au moins 5 cm)
- Clés ouvertes de 7/16 po, 3/4 po, 7/8 po et 15/16 po

TABLEAU DES ATTACHES				
ATTACHE	DESSIN	DESCRIPTION	Réf.	NOMBRE
1		écrou borgne 1/4-20	15019-02	4
2		boulon 1/4-20	15003-06	8
3		rondelle plate inox.	15005-15	12
4		rondelle ouverte inox.	15005-10	4
5		vis inox 1/2" calibre 10-24	15001-26	3
6		écrou à rondelle dentée 1/4-20	15021-09	12
7		rondelle de nylon modèles peints seulement	15005-08	8

REMARQUE : l'assemblage de cette chaufferette exige des connaissances de base en mécanique.
L'installateur est responsable de l'assemblage adéquat.

ETAPE 1

Sortez tous les éléments des cartons. Jetez l'emballage.

ETAPE 2

Enlevez le capuchon protecteur d'un des bouts du tuyau d'admission. Recouvrez les filets de quelques tours de ruban de téflon. • N'entourez pas de ruban les deux premiers filets du tuyau (fig. 01)

ETAPE 3

Repérez le boîtier du brûleur et disposez-le sur un plan de travail horizontal stable. En choisissant ce plan de travail (établi, plancher ou autre), assurez-vous de pouvoir y étendre la chaufferette de tout son long. Enlevez le panneau de commande en retirant d'abord le bouton, puis les 4 vis. Ne tirez pas sur le fil d'allumage, car il est branché à ses deux extrémités. Retirez délicatement ce fil (qui est attaché au moyen d'une fiche amovible).

En tenant fermement la soupape de sûreté avec une pince ajustable, vissez le tuyau d'admission dans la soupape de sûreté en le faisant tourner dans le sens des aiguilles d'une montre, jusqu'à ce qu'il soit serré. Remettez le panneau de commande avant de passer à l'étape 4 pour installer le mât.

FIG.01

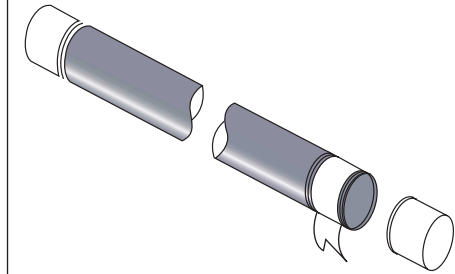
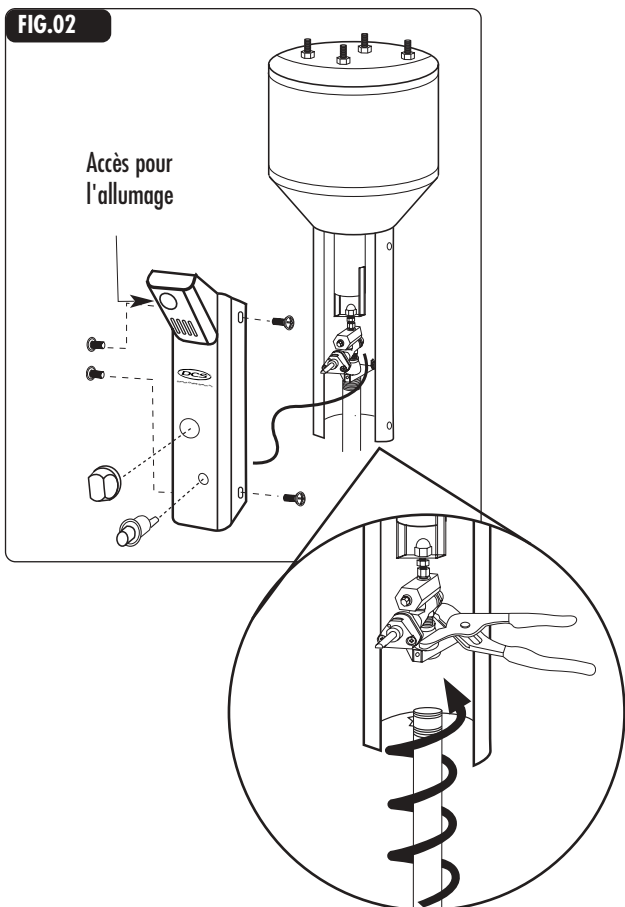


FIG.02

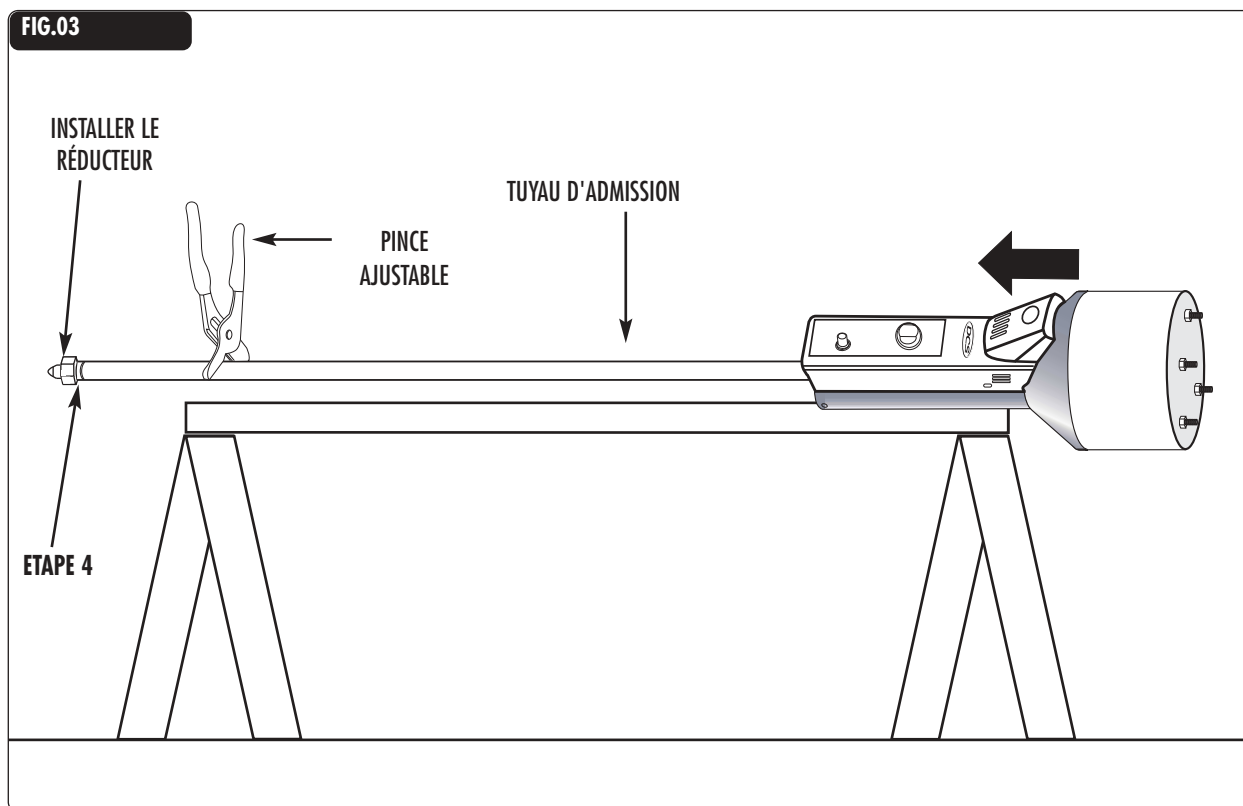


ETAPE 4

Enlevez le capuchon qui recouvre l'extrémité inférieure du tuyau d'alimentation. Ne recouvrez pas les filets. Vissez d'abord à la main le réducteur au tuyau d'alimentation, en le faisant tourner dans le sens des aiguilles d'une montre. Serrez à fond le réducteur en tenant fermement le tuyau d'alimentation au moyen de la pince ajustable, en prenant soin de ne pas toucher aux filets.

QUINCAILLERIE UTILISEE

1) Réf. 18159 Réducteur (1)

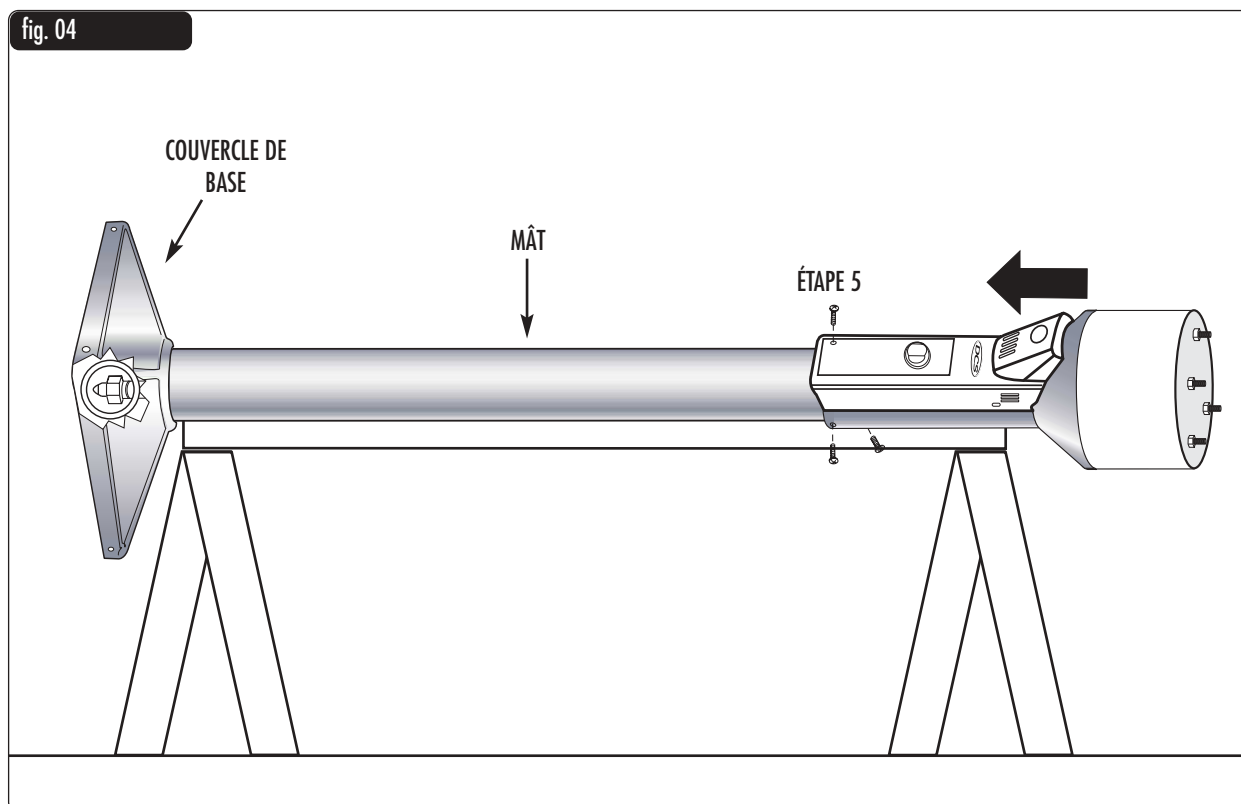


ETAPE 5

Repérez le mât. Insérez **soigneusement** le tuyau d'alimentation au sommet du mât en évitant que la tête ne glisse trop bas sur le mât car cela pourrait l'égratigner. Alignez les trous de vis du boîtier du brûleur avec ceux du mât. Fixez le brûleur au mât à l'aide de vis de calibre 10.

QUINCAILLERIE UTILISEE

1) Réf. 15001-26 Vis à métal cal. 10 (3)



ETAPE 6

Pour assembler le mât et la base de la chaufferette, posez celle-ci sur le plancher, soulevez le mât et mettez-le en place, en prenant soin d'orienter dans la même direction le panneau de commande du mât et la porte d'accès de la base. Fixez le mât à la base au moyen des 8 paires d'écrous et de boulons fournis. Remplacez le panneau de commande en suivant, dans l'ordre inverse, les instructions données à l'étape 2.

QUINCAILLERIE UTILISEE

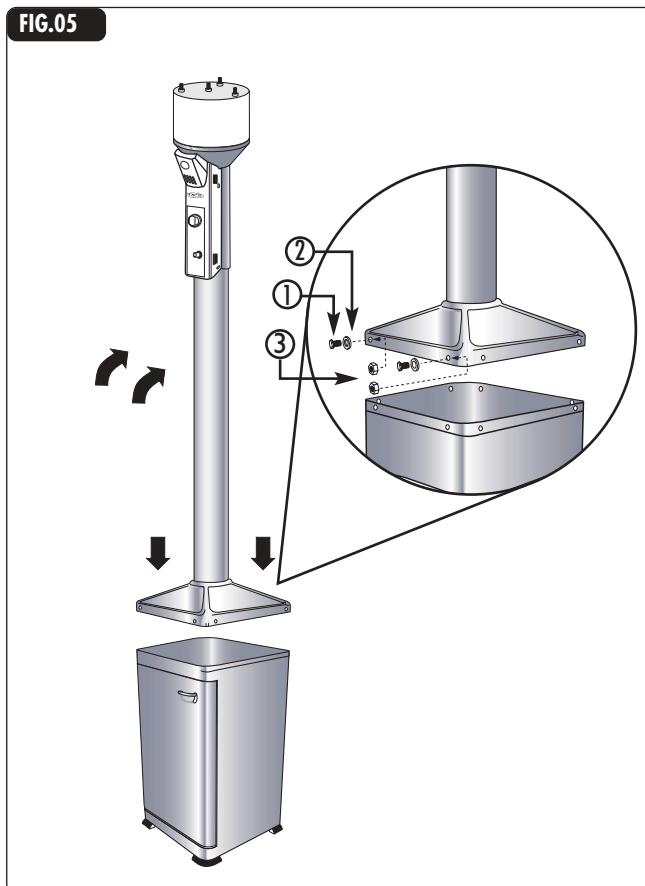
- | | |
|------------------|---|
| 1) Réf. 15003-05 | Boulons 1/4-20 (8) |
| 2) Réf. 15005-08 | Rondelles en nylon (8)
(Modèles peints uniquement) |
| 3) Réf. 15021-09 | Écrous à rondelle dentée 1/4-20 (8) |

ETAPE 7

En tenant le réducteur au moyen d'une clé de 15/16 po, vissez fermement au réducteur le tuyau flexible du régulateur. (Voir page 20, éléments 7 et 8)

ETAPE 8

Procédez à la détection des fuites avant d'installer le réflecteur. Cet appareil peut se renverser facilement, une fois la colonne fixée à la base du boîtier, et peut endommager ou déformer le réflecteur avant utilisation.



La chaufferette comporte un tuyau souple et un régulateur pouvant s'adapter à un réservoir ordinaire (**non inclus**) contenant 20 livres ou 5 gallons de propane, ainsi qu'une courroie de 45 cm (18 po) servant à tenir en place le réservoir. Un réservoir bosselé ou rouillé peut constituer un danger. Faites-le examiner par votre fournisseur de gaz.

N'utilisez **jamais** un réservoir de propane dont la soupape est endommagée. Le réservoir doit être d'un modèle qui permet de retirer le propane depuis la partie supérieure du cylindre (propane gazeux et non liquide).

Ne reliez jamais à la chaufferette un réservoir non pourvu d'un régulateur. La chaufferette est réglée en usine pour fonctionner au propane. Ne l'alimentez jamais au gaz naturel sans avoir au préalable modifié ce réglage au moyen de la trousse de conversion fournie par le fabricant. On peut se procurer cette trousse auprès du service à la clientèle.

RACCORDEMENT DE L'ALIMENTATION - REFERENCE

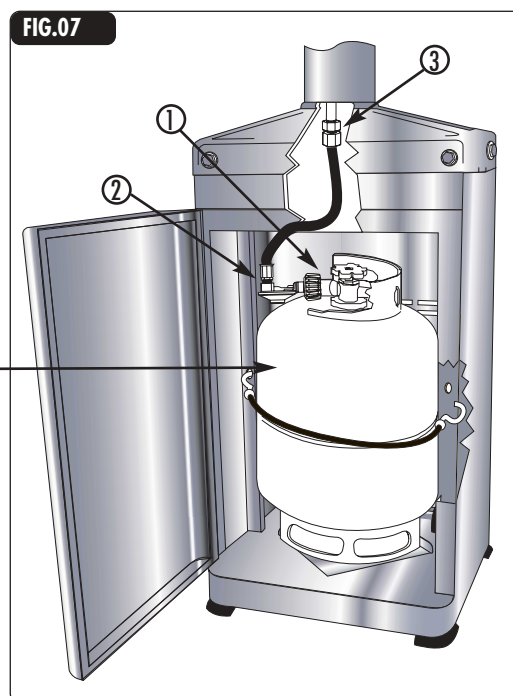
La chaufferette est conçue pour loger dans sa base un réservoir d'une capacité de 20 livres ou de 5 gallons de propane. Ouvrez la porte de ce compartiment et insérez-y le réservoir. Installez ensuite le régulateur en le vissant au robinet. Le robinet et le régulateur possèdent un filetage à droite. Pour visser le régulateur, il faut donc faire tourner la bague de serrage dans le sens des aiguilles d'une montre. N'utilisez pas de ruban de téflon et n'exercez pas une trop grande force de serrage.

VERIFIEZ SOIGNEUSEMENT LES RACCORDS SUIVANTS

- 1) Entre le régulateur et le réservoir.
- 2) Tous les raccords du tuyau souple et du régulateur.
- 3) Entre le réducteur et le tuyau d'alimentation.
- 4) Entre le tuyau d'alimentation et la soupape d'alimentation. Testez les raccords suivants après avoir allumé la chaufferette. (Voir les instructions d'allumage à la page 13.)
- 5) Entre le tube du pilote et la soupape d'alimentation.
- 6) Entre la tubulure du brûleur et la soupape d'alimentation.
- 7) Entre le tube du pilote et le pilote. Lorsque vous aurez terminé la détection des fuites, fermez la porte et remplacez le panneau de commande.

REMARQUE : les raccords du brûleur ont été vérifiés à l'usine.

RESERVOIR DE GAZ
(NON INCLUS)

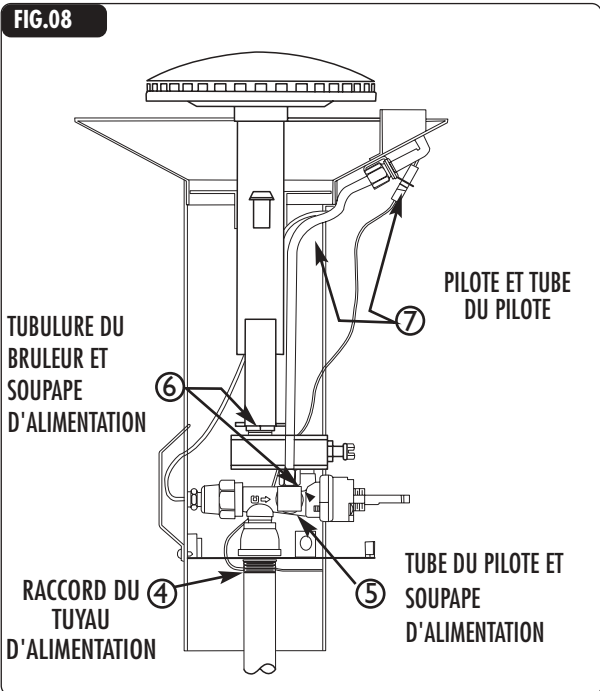


MESURES DE PRECAUTION

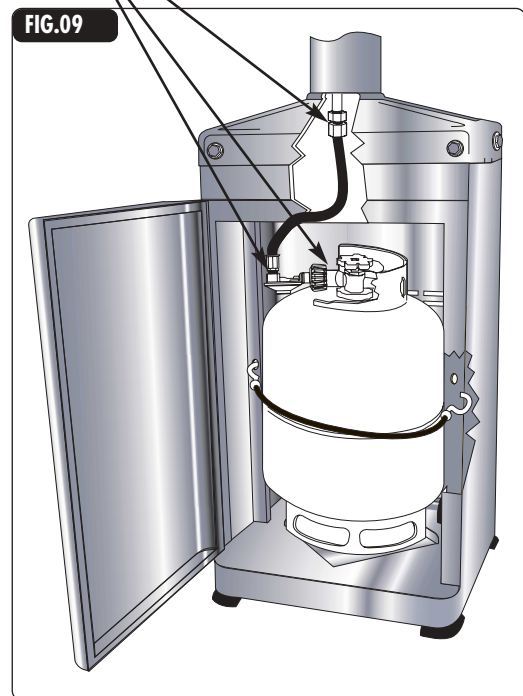
- Inspectez de temps à autre la chauffeurette pour voir s'il y a des fuites et sans tarder dès que vous détectez une odeur de gaz.
- Éteignez toute flamme vive.
- Ne fumez jamais lorsque vous vérifiez s'il y a des fuites. Si vous ne parvenez pas à arrêter une fuite, fermez la soupape du réservoir et téléphonez au détaillant chez qui vous avez acheté la chauffeurette ou au service à la clientèle au : 1-(888)-281-5698.
- N'utilisez pas la chauffeurette avant d'avoir vérifié tous les raccords et de vous être assuré qu'il n'y a pas de fuites.
- Lorsque vous vérifiez s'il y a des fuites, reportez-vous à l'illustration ci-dessous.
- Utilisez uniquement les pièces recommandées par le fabricant.
- La substitution de pièces peut **annuler** la garantie.

DEPISTAGE DES FUITES

Préparez une solution savonneuse composée à moitié de détergent liquide et à moitié d'eau. Appliquez la solution savonneuse au moyen d'un vaporisateur, d'une brosse ou d'un chiffon. S'il y a une fuite, des bulles de savon se formeront. Assurez-vous que le bouton de la soupape d'alimentation est en position fermée. Ouvrez l'alimentation et vérifiez si du gaz s'échappe d'un raccord. En cas de fuite, fermez l'alimentation, serrez les raccords qui fuient, ouvrez le gaz et vérifiez de nouveau.



POINTS DE DETECTION DES FUITES



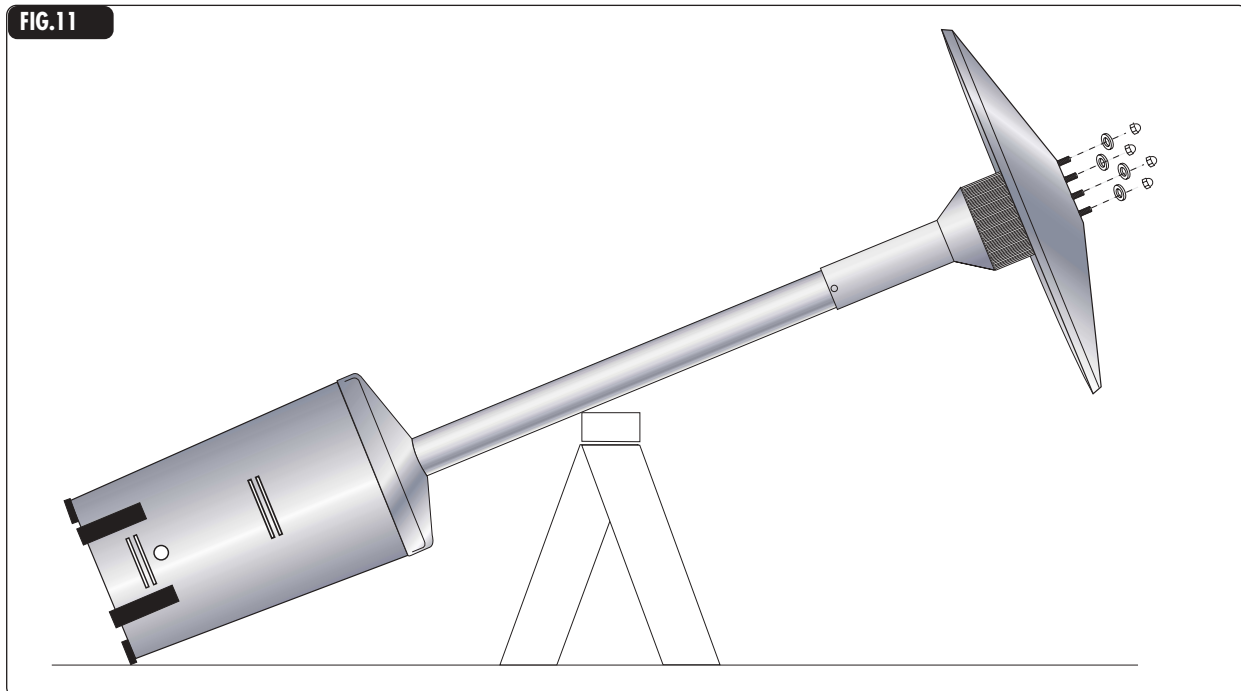
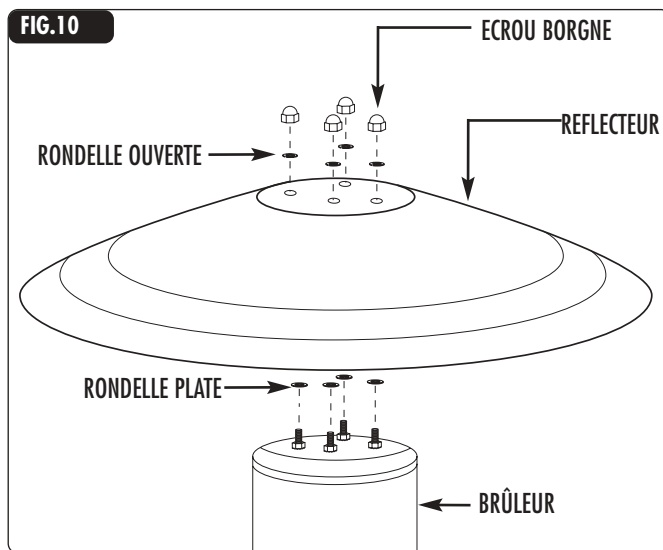
ETAPE 9

Ayez sous la main les écrous borgnes, les 4 rondelles et le réflecteur. Inclinez la chauffeurette et appuyez-la sur un support stable (par exemple un tréteau, un établi ou un escabeau).

Fixez le réflecteur au moyen des écrous borgnes et des rondelles. *Ne serrez pas trop fort pour ne pas endommager le réflecteur.* Remettez l'appareil sur sa base et lisez la section suivante pour connaître les dégagements à respecter lorsque vous l'utilisez.

QUINCAILLERIE UTILISEE

- 1) Réf. 15005-15 Rondelles plates (4)
- 2) Réf. 15019-07 Écrous borgnes 1/4 (4)
- 3) Réf. 15005-10 Rondelles ouvertes (4)



Dégagement à respecter

Cette chaufferette d'extérieur est principalement conçue pour le chauffage temporaire des patios, terrasses, bains tourbillons, piscines et chantiers en plein air.

N'utilisez pas cette chaufferette à l'intérieur ou dans un endroit fermé.

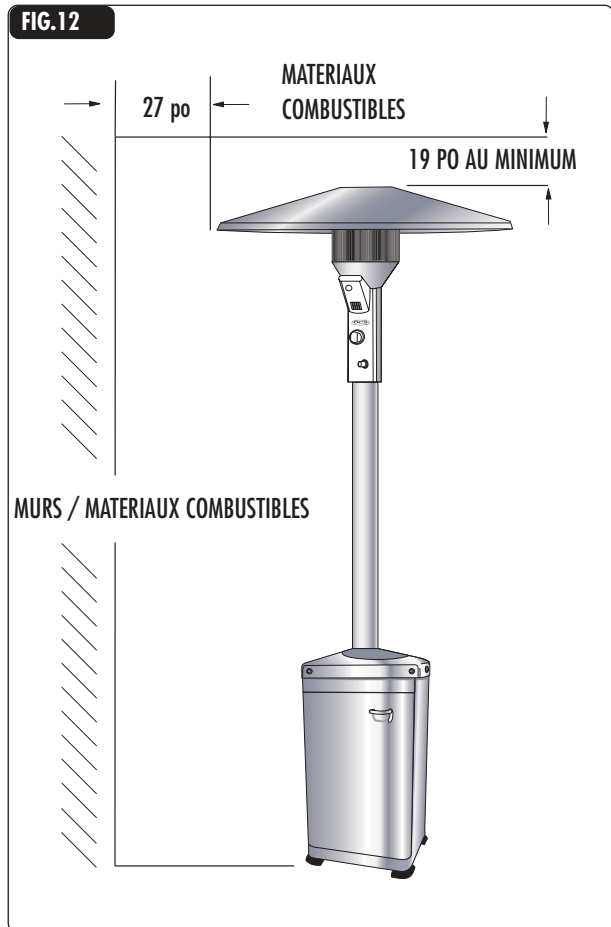
Assurez-vous toujours que l'aération est suffisante.

Respectez en tout temps le dégagement minimum recommandé ci-contre par rapport aux murs et aux matériaux combustibles.

L'installation doit être conforme aux règlements locaux et, en l'absence de réglementation, à la norme ANSI/NFPA 58 de 1986 relative à l'entreposage et la manutention du propane.

MISE EN GARDE : placez la chaufferette sur une surface plane et solide.

AVERTISSEMENT: n'utilisez jamais cette chaufferette dans une atmosphère explosive, ni dans un endroit où l'on conserve ou utilise de l'essence ou tout autre produit inflammable. La chaufferette est instable et risque de basculer et de rouler sur le sol.



AVANT D'OUVRIR L'ALIMENTATION EN GAZ :

Procédez à l'inspection visuelle du tuyau souple afin d'y rechercher tout signe d'abrasion, de coupure ou d'usure excessive. Si le tuyau fuit, remplacez-le avant d'utiliser la chaufferette. Le tuyau de remplacement doit être conforme aux recommandations du fabricant. Assurez-vous qu'il n'y a pas de combustibles, d'essence, de vapeurs ou de liquides inflammables près de la chaufferette.

AVANT D'ALLUMER LA CHAUFFERETTE :

Par mesure de sécurité, attendez au moins 5 minutes avant de rallumer une chaufferette qui vient de s'éteindre. Examinez la chaufferette chaque fois que vous l'utilisez (grille radiante, raccords du gaz et pilote), et faites-la vérifier au moins une fois l'an par un technicien qualifié.

Pour allumer :

- 1) Ouvrez la porte.
- 2) Assurez-vous que le tuyau souple du régulateur est accordé au tuyau d'alimentation de la chaufferette, que le régulateur est lui-même raccordé au réservoir de propane et que ces deux raccords sont serrés et étanches.
- 3) Tournez le robinet du réservoir dans le sens contraire des aiguilles d'une montre. Appliquez une solution savonneuse sur le raccord du réservoir et ceux du tuyau souple pour vous assurer qu'il n'y a pas de fuites.
- 4) Tournez le bouton de commande dans le sens des aiguilles d'une montre jusqu'au réglage « pilote ».
- 5) Appuyez sur le bouton de commande et maintenez-le enfoncé pour alimenter en gaz le pilote. Maintenez le bouton de commande enfoncé pendant 3 minutes, lors d'une nouvelle installation ou lorsque vous remplacez le réservoir, afin d'expulser l'air des conduits d'alimentation, ou pendant 5 secondes lorsque vous rallumez normalement la chaufferette.
- 6) Tout en gardant le bouton de commande enfoncé, appuyez sur le bouton d'allumage, qui émettra un bruit sec indiquant qu'une étincelle a jailli, ce qui devrait allumer le pilote. Si cela ne se produit pas, maintenez le bouton de commande enfoncé et appuyez de nouveau sur le bouton d'allumage. Le pilote se trouve derrière le disque qui recouvre l'orifice d'allumage. Faites pivoter ce disque vers le haut afin d'insérer une allumette ou pour regarder le pilote (voir la figure 2 à la page 5).
- 7) Lorsque le pilote s'allume, maintenez le bouton de commande enfoncé durant une trentaine de secondes, afin que le chauffage du thermocouple permette au pilote de s'alimenter de manière autonome.
- 8) Pour allumer le brûleur, tournez à fond le bouton de commande (dans le sens contraire des aiguilles d'une montre), puis ramenez-le jusqu'à obtenir le réglage correspondant au niveau de chaleur désiré.
- 9) Fermez la porte.

Pour rallumer :

- 1) Tournez le bouton de commande de manière à couper l'alimentation.
- 2) Attendez 5 minutes avant de tenter de rallumer le pilote.
- 3) Répétez les étapes de l'allumage en commençant à l'étape 4 ci-contre.

Pour éteindre la chaufferette :

- 1) Tournez le bouton de commande dans le sens des aiguilles d'une montre afin de couper l'alimentation. Le brûleur émet un léger bruit sec quand on l'éteint, ce qui est normal.
- 2) Fermez le robinet du réservoir de propane en le tournant dans le sens des aiguilles d'une montre lorsque vous n'utilisez pas la chaufferette.

REMARQUE : avant d'entreposer la chaufferette, retirez-en le réservoir de propane. Remisez ce dernier à l'extérieur, dans un endroit bien aéré.

MISE EN GARDE RELATIVE AUX ARAIGNEES ET AUX INSECTES :

Les araignées ou les insectes peuvent faire leur nid dans le brûleur et les orifices de cet appareil ou de tout appareil au gaz remis à l'extérieur. Il peut en résulter une situation dangereuse, car ces nids peuvent obturer le brûleur et rendre son utilisation non sécuritaire. Vous devez inspecter le brûleur au moins une fois l'an, ou sans retard dans les circonstances suivantes :

- 1) Vous sentez une odeur de gaz et la pointe de la flamme du brûleur est jaune.
- 2) La chaufferette n'atteint pas la température désirée.
- 3) Le rayonnement de la chaufferette est inégal.
- 4) Le brûleur émet des bruits secs.

Si le brûleur est obturé, dégagez-le immédiatement (voir page 14).

NETTOYAGE :

Laissez **REFROIDIR** la chaufferette avant de la nettoyer. Un entretien approprié permettra à votre chaufferette de durer plus longtemps. Il est important de ne jamais laisser se boucher les conduits et les orifices d'aération de l'appareil. Nettoyez-les afin qu'ils demeurent propres et libres de toiles d'araignées. N'utilisez **JAMAIS** un produit nettoyant inflammable ou corrosif.

DCS recommande d'appliquer de temps à autre une couche protectrice de cire pour automobile sur les éléments peints de la chaufferette (mât, porte et logement du réservoir), en évitant d'en recouvrir le boîtier d'acier inoxydable du brûleur. S'il devenait nécessaire de repeindre la chaufferette, n'appliquez de la peinture que sur le mât et la base. N'appliquez pas de peinture sur le bouton et le panneau de commande, ni sur la plaque portant les instructions.

Les ouvertures du brûleur doivent rester dégagées pour permettre au gaz de circuler librement. L'entrée du tube d'alimentation en air doit également rester dégagée afin qu'une quantité suffisante d'air alimente la combustion. Si la chaufferette ne fonctionne pas convenablement, il peut être nécessaire de nettoyer le brûleur. Voyez à la section suivante les instructions pour procéder à son démontage.

Démontage et installation du brûleur

REMARQUE : laissez refroidir le brûleur avant de le démonter.

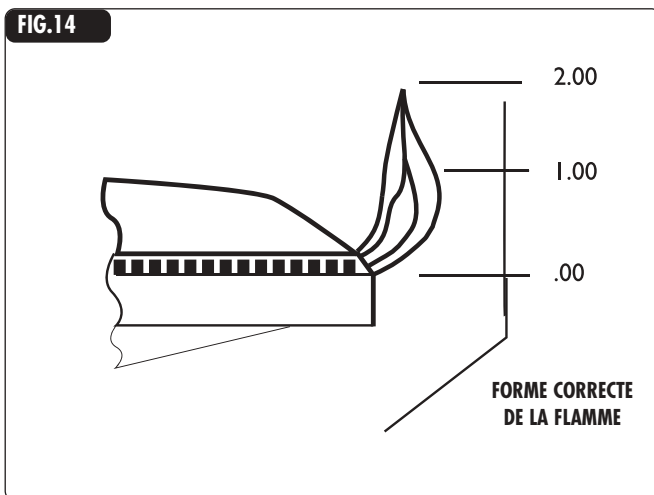
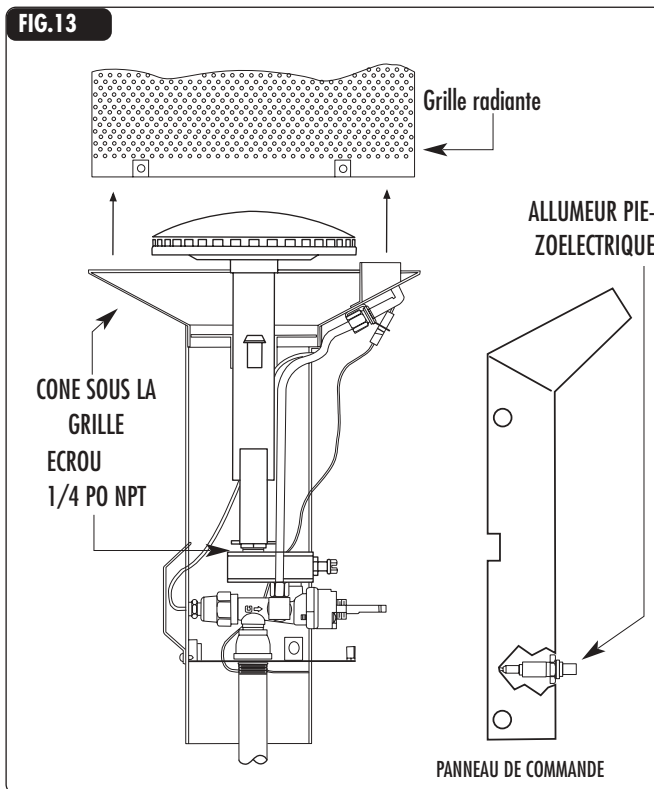
DEMONTAGE DU BRULEUR :

- 1) Pour démonter le réflecteur et la grille radiante, enlevez les vis qui retiennent la grille au cône qui se trouve en dessous.
- 2) Enlevez le panneau de commande. Évitez de tirer sur le fil d'allumage qui est relié à l'allumeur à l'arrière du panneau de commande.
- 3) Retirez (au moyen d'une clé ouverte de 7/8 po) l'écrou de 1/4 po NPT qui retient le brûleur à l'orifice d'admission. Enlevez le brûleur.

Si des débris se sont logés dans le tube d'alimentation du brûleur, vous pouvez les retirer au moyen d'un support à vêtement redressé. Enlevez toute trace de rouille avec une brosse métallique. N'utilisez jamais d'objets en plastique ni en bois pour nettoyer les ouvertures du brûleur, car ces objets peuvent se briser et s'y coincer.

INSTALLATION DU BRULEUR :

Installez le brûleur en suivant, dans l'ordre inverse, les 3 étapes du démontage. Assurez-vous que le brûleur est bien centré avant de remettre la grille. Après avoir installé le brûleur, inspectez la chaufferette. Observez la flamme : elle devrait avoir la forme que montre l'illustration ci-contre, être bleue et devenir légèrement jaunâtre à son extrémité.

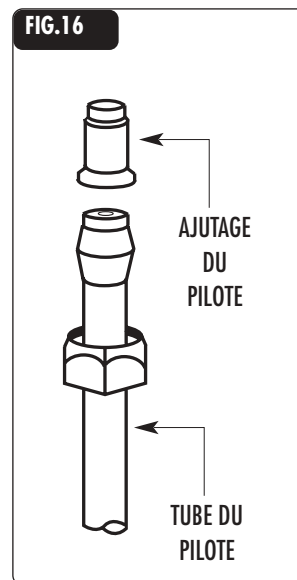
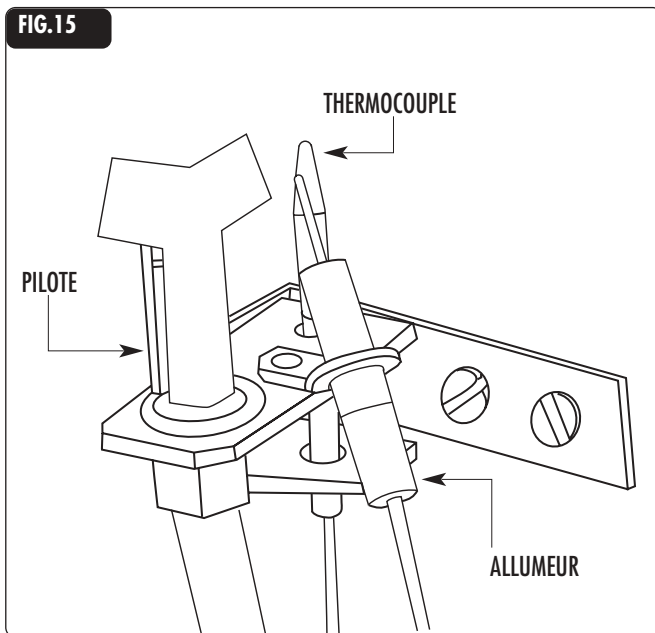


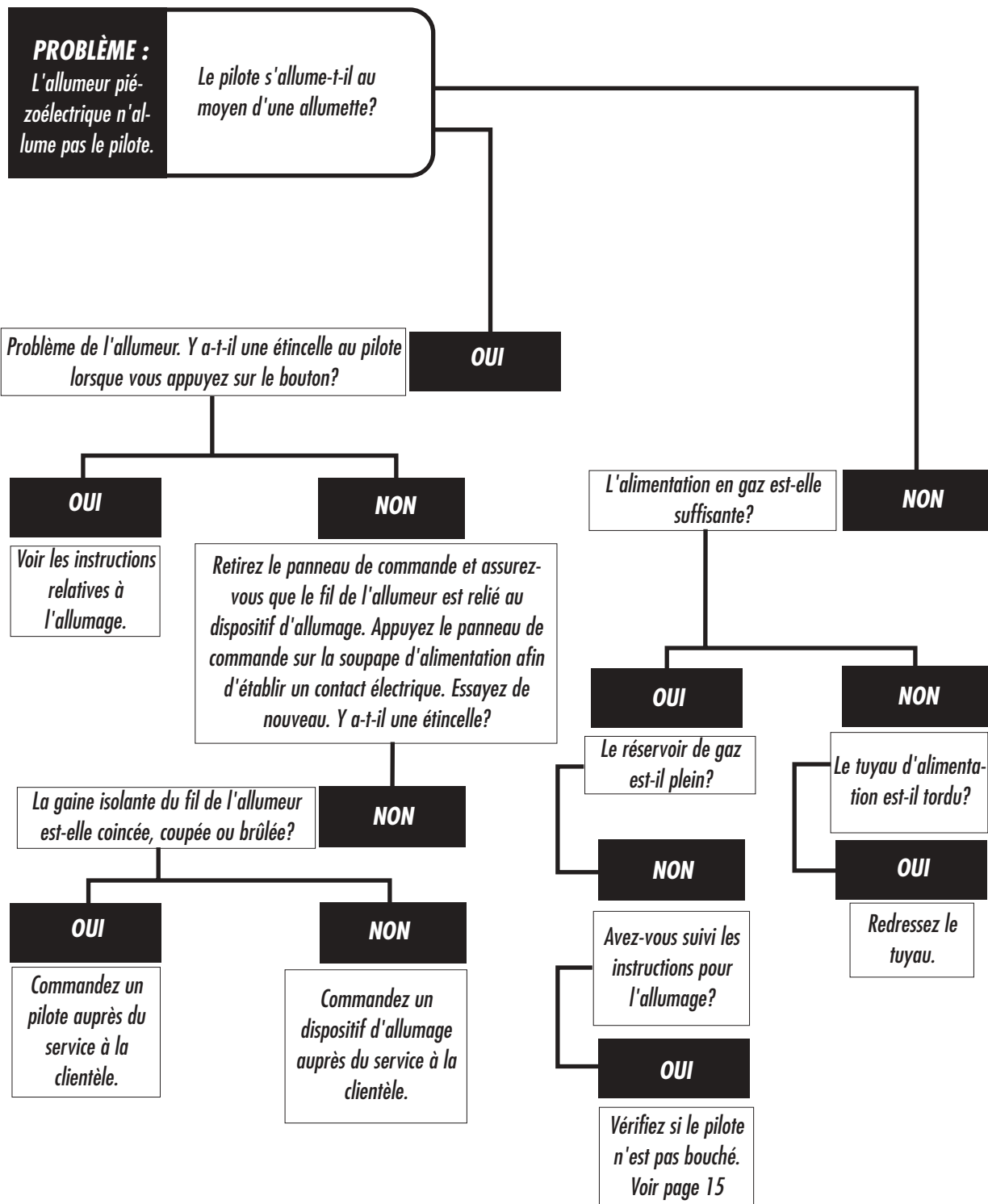
Nettoyage du pilote

Avant d'entreposer la chaufferette, retirez-en le réservoir de propane. Remisez ce dernier à l'extérieur, dans un endroit bien aéré.

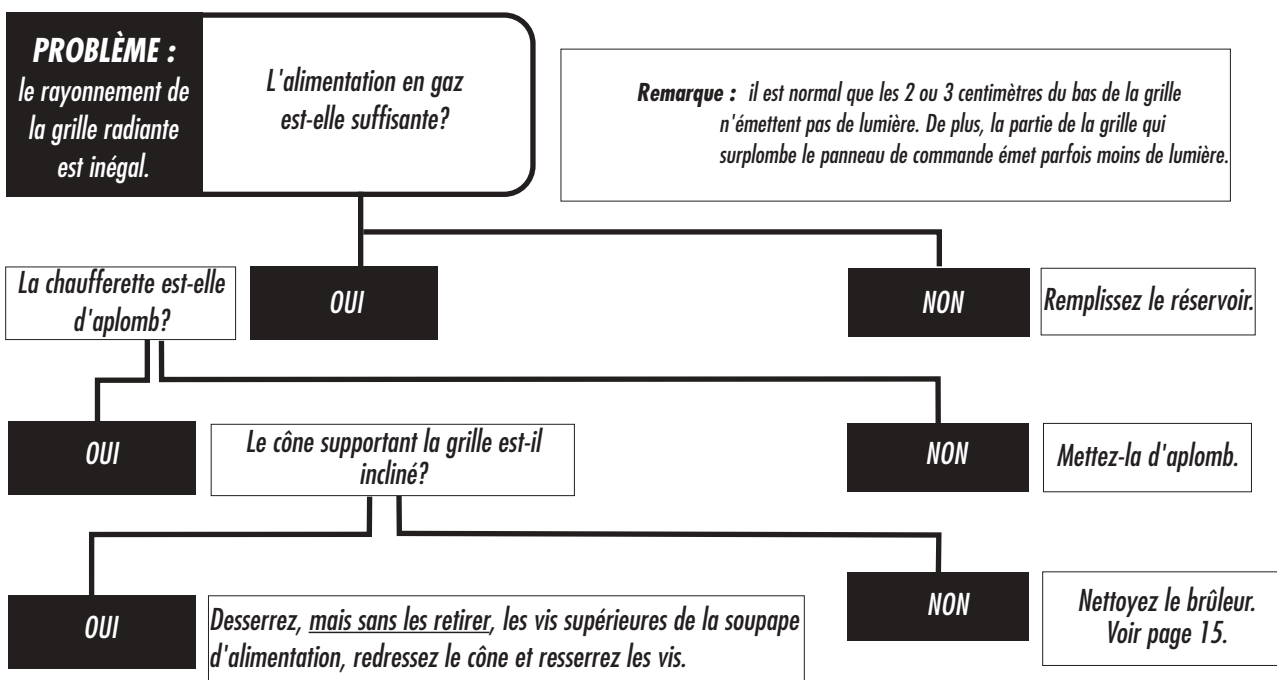
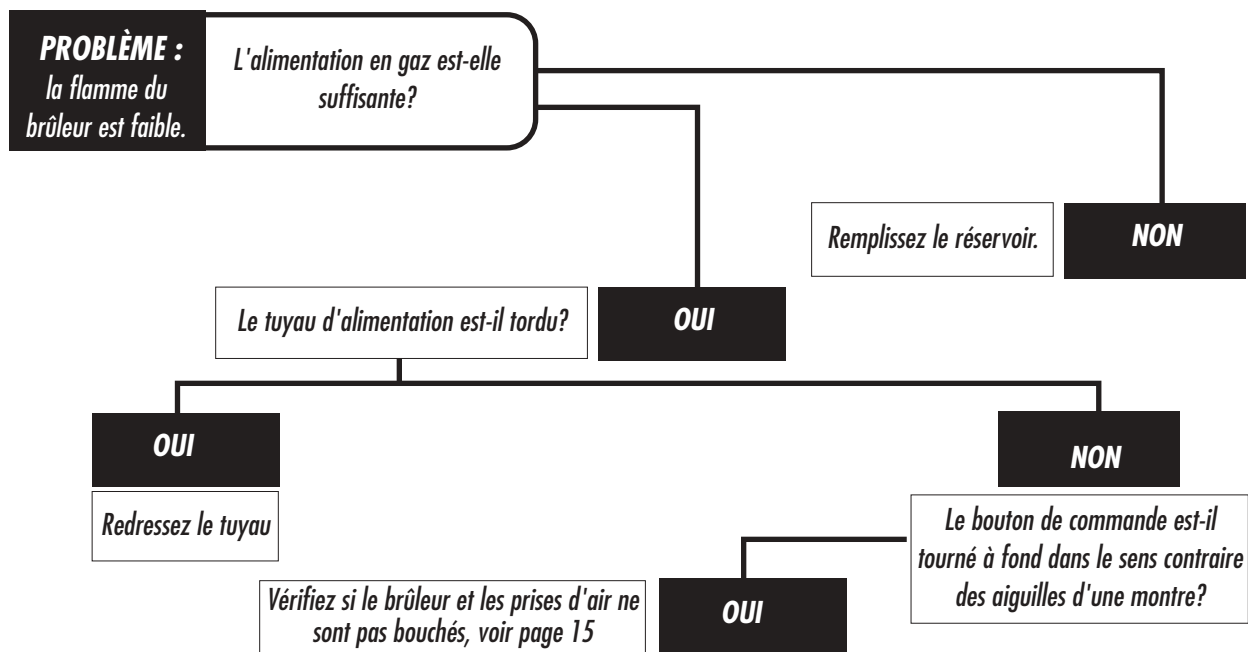
- 1) Enlevez le panneau de commande pour accéder au pilote (voir la figure 2, page 5).
- 2) Retirez les vis qui retiennent le pilote au cône qui se trouve sous la grille radiante.
- 3) Retirez l'écrou qui retient le pilote en tenant celui-ci au moyen d'une pince.
- 4) Inspectez le pilote et le tube qui l'alimente afin de vérifier qu'ils ne sont pas obstrués. Vous devriez être en mesure de voir à travers le pilote. Si des débris s'y trouvent, enlevez-les avec un fil métallique.
- 5) Vous pouvez nettoyer l'ajutage du pilote au moyen d'une aiguille à coudre. Passez doucement l'aiguille dans la lumière de l'ajutage pour en retirer tout débris. N'agrandissez **jamais** la lumière de l'ajutage.

Le pilote fournit une flamme qui sert à allumer le brûleur principal. Il chauffe également un thermocouple qui doit devenir chaud avant que le brûleur principal puisse s'allumer. Si le pilote est obstrué (par des débris, des toiles d'araignées ou d'autres matières), sa flamme peut être trop faible et le thermocouple pourrait ne pas se réchauffer suffisamment pour permettre au brûleur principal de s'allumer. Si cela se produit, il est nécessaire de nettoyer le pilote.



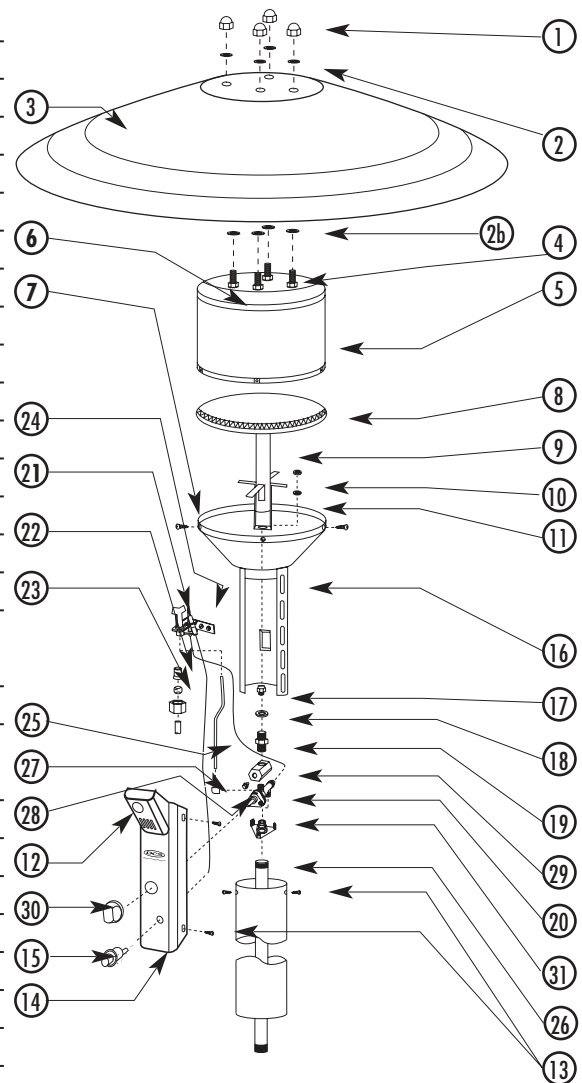


Résolution des problèmes



Pièces de rechange

ARTICLE	REF.	DESCRIPTION
1.	15019-07	1/4-20 Acorn Écrou borgne
2.	15005-10	Rondelle ouverte
2.b	15005-15	Rondelle plate
3.	23002-SP	Réfecteur
4.	15021-09	Écrou à rondelle dentée 1/4-20
5.	23018-01	Grille radiante
6.	15003-15	Boulon 1/4-20 x 3/4
7.	15001-26	Vis cal. 10-24 x 1/2
8.	12015	Tête du brûleur
9.	23083	Brûleur
10.	15077	Écrou 1/4 NPT
11.	15005-23	Rondelle étoilée, 08
12.	23024	Disque de l'orifice d'allumage
13.	15001-26	Vis 10-24 x 1/2
14.	23064	Panneau de commande
15.	16025-4	Allumeur piézoélectrique
16.	23080	Cône supportant la grille
17.	13025-47	Ajutage propane
	13025-31	Ajutage gaz naturel
18.	15005-25	Rondelle plate
19.	13024	Support de l'ajutage
20.	13066	Soupape d'alimentation
21.	13231-01 LP	Pilote pour propane
	13231-02 NG	Pilote pour gaz naturel
22.	13028-10	Ajutage du pilote (propane)
23.	13027	Bague pour tube 1/4
24.	13229	Thermocouple
25.	23094	Tube du pilote
26.	18018-03	Tuyau d'alimentation
27.	18184	Coude à 90°
28.	13226	Point de détection
29.	18181	Interrupteur d'alimentation
30.	14154-01	Bouton
31.	23065	Support de la soupape

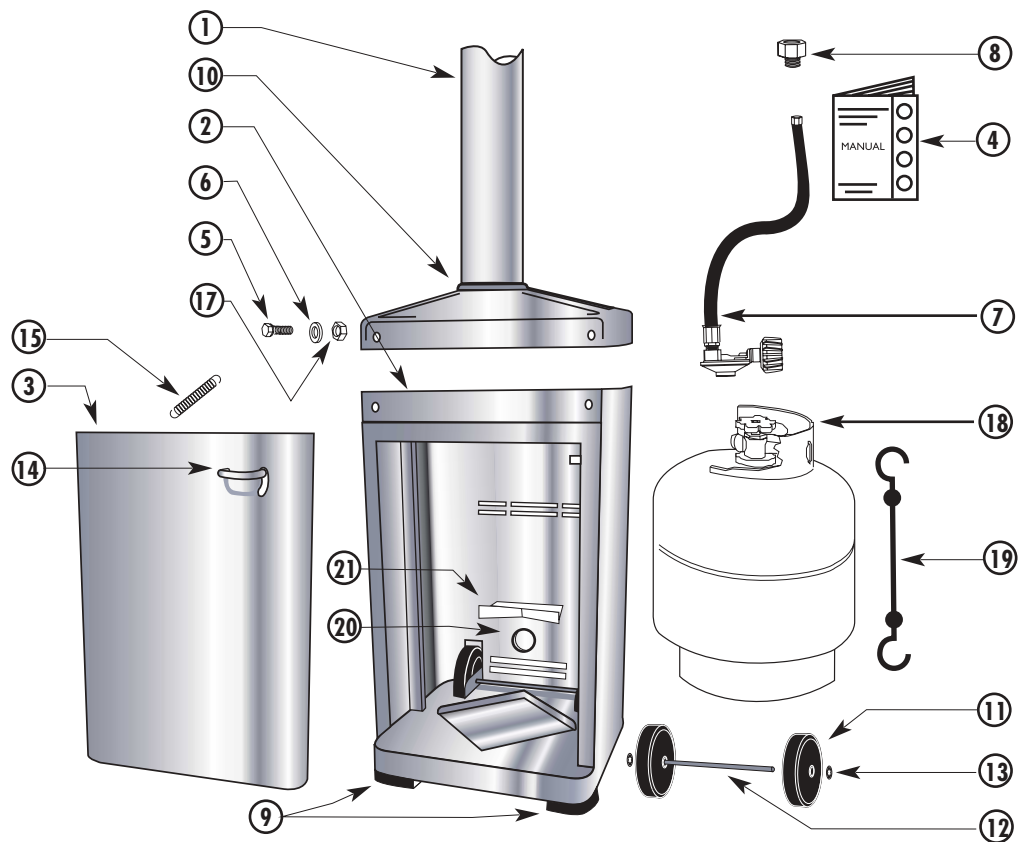


Pièces de rechange

ARTICLE	REF.	DESCRIPTION
1.	23121-XX	Mât (1)
2.	23096-XX	Base (1)
3.	23106-XX	Porte (1)
4.	17314	Manuel (1)
5.	15003-15	Boulon 1/4-20 (8)
6.	15005-8	Rondelle de nylon (8)
7.	13230	Ensemble régulateur/tuyau souple à 90°
8.	18159	Réducteur (1)
9.	18290	Pied de caoutchouc (4)
10.	23122	Collier de caoutchouc (1)
11.	18143	Roue 6 po (2)
12.	23112	Essieu (1)
13.	18023	Écrous borgnes (2)

14.	18024-03	Poignée de porte (1)
15.	23119	Ressort inox. (1)
16.	23108	Support du loquet (1)
17.	15021-09	Écrou hex 1/4-20 (8)
18.	18201	Réservoir de propane (1)
19.	23114	Courroie de retenue du réservoir 18 po (1)
20.	14088	Anneau (1)
21.	23112	Appui du réservoir

Remarque : veuillez préciser la couleur de votre chaufferette quand vous commandez le mât, la base ou la porte (articles 1 à 3).



POUR L'OBTENTION DU SERVICE DE GARANTIE :

Pour le service sous garantie, contactez le centre DCS agréé le plus proche au (888) 281-5698.
Avant d'appeler, veuillez avoir les informations suivantes à portée de main :

- Numéro de modèle
- Numéro de série
- Date d'installation
- Brève description du problème

Votre satisfaction revêt la plus haute importance pour nous. Si un problème n'est pas résolu à votre entière satisfaction, veuillez communiquer avec nous :

Écrivez-nous à l'adresse suivante :

DCS
Attention: Consumer Relations
5800 Skylab Road
Huntington Beach, CA 92647

Faxez-nous au numéro suivant : (714) 677-1270

DUREE DE LA GARANTIE

Garantie complète d'un an. Couvre tout l'appareil (**à l'exception de la grille radiante**).

Garantie limitée de cinq ans. Couvre tous les éléments en acier inoxydable (**pièces seulement, à l'exception de la grille radiante**).

DCS COUVRE LES FRAIS SUIVANTS :

Toutes les pièces défectueuses en raison d'un vice des matériaux ou de fabrication. La main-d'œuvre et les pièces de remplacement nécessaires pour toute réparation sont couvertes pendant un an révolu à compter de la date d'achat. Les réparations doivent être effectuées par un détaillant autorisé durant les heures ouvrables habituelles.

DCS NE COUVRE PAS LES FRAIS SUIVANTS :

- L'installation, l'assemblage ou le démarrage.
- Les réglages normaux du brûleur.
- Le nettoyage et/ou l'entretien général.
- Dommages subis durant le transport.
- Les réparations effectuées par une personne non autorisée, les dommages causés par un réparateur non autorisé et l'utilisation de pièces non recommandées.
- Le temps supplémentaire exigé durant le week-end et les congés fériés.
- Le montage incorrect, tel que l'absence de régulateur, de mauvais raccords et autres.
- Les dommages causés par la présence d'araignées ou de nids d'insectes.
- Les dommages causés par les conditions météorologiques.
- Les visites de service pour : rectifier l'installation ou le montage,
- les réparations autres que celles qu'entraînerait un usage normal,
- les dommages provoqués par un accident, un usage abusif, des modifications, un mauvais usage, un montage incorrect ou non conforme aux règlements locaux,
- fournir à l'utilisateur, relativement au fonctionnement, de l'aide qu'il peut trouver dans la présente brochure,
- pour réparer une chaufferette de location.

Cette garantie couvre les produits achetés et utilisés dans les 50 états des États-Unis, le District de Columbia et au Canada. La garantie s'applique même si vous déménagez durant la période de garantie. Si l'appareil est vendu par l'acheteur initial durant la période de garantie, le nouveau propriétaire continue de bénéficier de la protection jusqu'à la date d'expiration de la période de garantie de l'acheteur initial. Cette garantie vous donne des droits juridiques spécifiques. Il se peut que vous ayez d'autres droits pouvant varier d'une juridiction à l'autre.



PERFECT HEAT.

5800 Skylab Road, Huntington Beach, CA 92647 Tel: (714) 372-7000
Fax: (714) 372-7001 Customer Service: (888) 281-5698
www.dcsappliances.com

5800 Skylab Road, Huntington Beach, CA 92647 Tél. : (714) 372-7000
Télécopieur : (714) 372-7001 Service à la clientèle : (888) 281-5698
www.dcsappliances.com

As product improvement is an ongoing process at DCS, we reserve the right to change specifications or design without notice.

DCS améliore constamment ses produits et se réserve le droit de modifier les spécifications ou la conception de ses produits sans aucun préavis.

Part No. 17314 Rev. B
Litho in USA 01/2002
Réf. 17314 Rev. B
Lithographié aux États-Unis 01/2002

Free Manuals Download Website

<http://myh66.com>

<http://usermanuals.us>

<http://www.somanuals.com>

<http://www.4manuals.cc>

<http://www.manual-lib.com>

<http://www.404manual.com>

<http://www.luxmanual.com>

<http://aubethermostatmanual.com>

Golf course search by state

<http://golfingnear.com>

Email search by domain

<http://emailbydomain.com>

Auto manuals search

<http://auto.somanuals.com>

TV manuals search

<http://tv.somanuals.com>