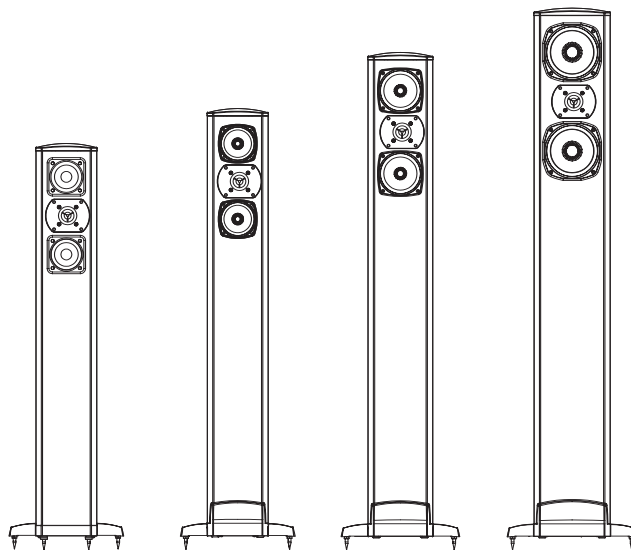


*BP-8000 SuperTower® Series:
BP-8080ST, BP-8060ST, BP-8040ST, BP-8020ST*



Definitive Technology®
The Leader in High-Performance Loudspeakers®

Thank you for choosing the Definitive Technology Bipolar SuperTower Loudspeaker System. The Bipolar ST is a unique speaker which features Forward-Focused Bipolar array technology and a built-in powered subwoofer. This extraordinary speaker is truly state-of-the-art in music and home theater loudspeaker technology and performance. You have chosen wisely.

Our engineers have spent many years in developing this product. In order to ensure that you experience the finest performance possible, we encourage you to take a moment to fully read this owner's manual and familiarize yourself with the proper installation and set-up procedures for your Bipolar ST speakers.

Safety Precautions



CAUTION! To reduce the risk of electric shock and fire, do not remove the cover or back plate of this device. There are no user serviceable parts inside. Please refer all servicing to licensed service technicians. Avis: Risque de choc électrique, ne pas ouvrir.

CAUTION! The international symbol of a lightning bolt inside a triangle is intended to alert the user to uninsulated "dangerous voltage" within the device's enclosure. The international symbol of an exclamation point inside a triangle is intended to alert the user to the presence of important operating, maintenance and servicing information in the manual accompanying the device.

CAUTION! To prevent electrical shock, match wide blade of plug to wide slot, fully insert. Attention: Pour éviter les chocs électriques, introduire la lame la plus large de la fiche dans la borne correspondante de la prise et pousser jusqu'au fond.

CAUTION! To reduce the risk of electrical shock, do not expose this equipment to rain or moisture.

1. Read Instructions—All safety and operating instructions should be read before operating the device.
2. Retain Instructions—The safety and operating instructions should be retained for future reference.
3. Heed Warnings—All warnings on the device and in the operating instructions should be adhered to.
4. Follow Instructions—All operating and safety instructions should be followed.
5. Water & Moisture—The device should never be used in, on or near water for risk of fatal shock.
6. Carts & Stands—The device should only be used on carts or stands recommended by the manufacturer.
7. Wall & Ceiling Mounting—The device should be mounted on a wall or ceiling only as recommended by the manufacturer.
8. Ventilation—The device should always be located in such a way that it maintains proper ventilation. It should never be placed in a built-in installation or anywhere that may impede the flow of air through its heat sink.
9. Heat—Never locate the device near heat sources such as radiators, floor registers, stoves or other heat-generating devices.
10. Power Supply—The device should only be connected to a power supply of the type described in the operating instructions or as marked on the device.
11. Power Cord Protection—Power cables should be routed so they are not likely to be stepped on or crushed by items placed on them or against them. Special attention should be paid to areas where the plug enters a socket or fused strip and where the cord exits the device.
12. Cleaning—The device should be cleaned in accordance with manufacturer's instructions.
13. Periods Of Non-Use—The device should be unplugged when not being used for extended periods.
14. Dangerous Entry—Care should be taken that no foreign objects or liquids fall or are spilled inside the device.
15. Damage Requiring Service—The device should be serviced by licensed technicians when:
 - The plug or power supply cord has been damaged.
 - Objects have fallen on or liquid has spilled inside the device.
 - The device has been exposed to moisture.
 - The device does not appear to be operating properly or exhibits a marked change in performance.
 - The device has been dropped or the cabinet becomes damaged.
16. Service—The device should always be serviced by licensed technicians. Only replacement parts specified by the manufacturer should be used. The use of unauthorized substitutions may result in fire, shock, or other hazards.

CAUTION: Important Safety Instructions

WARNING: DO NOT OPERATE SPEAKER WITHOUT STABILIZER FEET INSTALLED

Accessories included in your Bipolar ST box:

1. Stabilizer Feet: Qty (4) BP-8080ST, BP-8060ST, and BP-8040ST; Qty (2) BP-8020ST
2. Philips Head Screws: Qty (8) BP-8080ST, BP-8060ST, and BP-8040ST; Qty (4) BP-8020ST
3. Carpet Spikes: Qty (4) *all models*
4. Hard Floor Glides: Qty (4) *all models*

Accessory Installation

**Definitive Technology is not responsible for damage to floors caused by misuse of the provided accessories.*

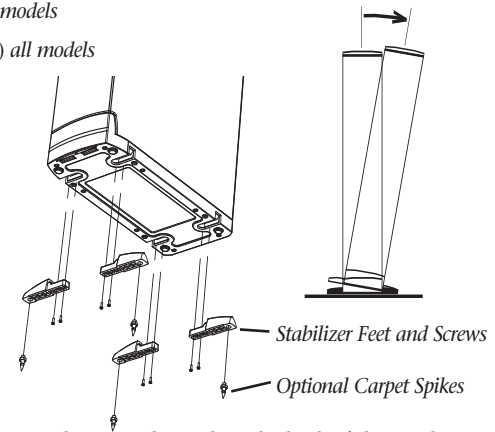


Figure 1 – Stabilizer Feet

Power Supply

1. The fuse and power disconnect device are located on the back of the speaker.
2. The disconnect device is the power cord, detachable at either the speaker or the wall.

Unpacking Your BP-8000 Super Tower

Please Inspect For Shipping Damage

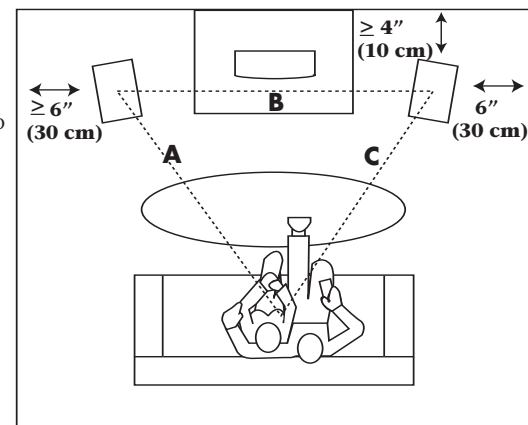
Each loudspeaker leaves our plant in perfect condition. Any visible or concealed damage most likely occurred in handling after it left our plant and should be reported to your Definitive dealer or the delivery company that delivered your loudspeaker. Please unpack your system carefully. Save all cartons and packing materials in case you move or need to ship your system. Record the serial number found on the back of the Bipolar 8000ST speaker.

Positioning the Speakers in Your Room

Your new Bipolar speakers are very flexible in terms of positioning and placement. To optimize their performance, please follow these simple guidelines. Although the following recommendations will usually yield the best results, all rooms and listening setups are different, so do not be afraid to experiment with the speaker placement. Whatever sounds best to you is correct.

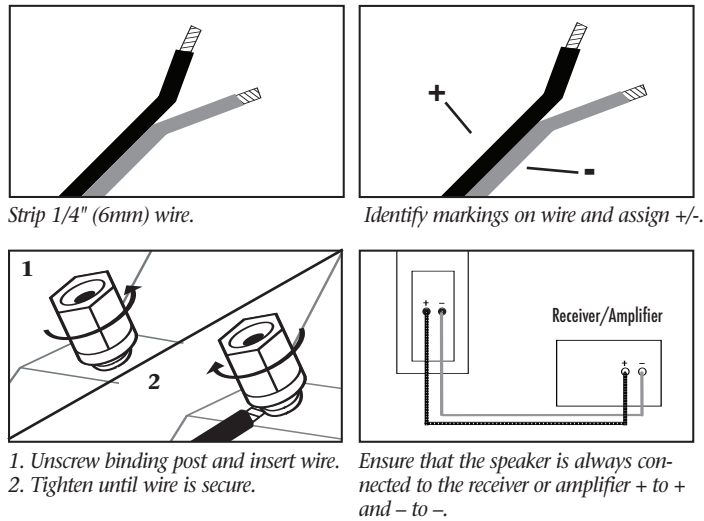
Figure 2 – Positioning Bipolar ST as Left/Right Main Speakers

Set up the speakers and listening position in an equilateral triangle as illustrated. You will also get good results if the listeners are a bit farther away. For example, if line A and C are each 10' long then line B would be between 7' and 8' long.



Connecting Your Loudspeakers

Figure 3 – Wiring and Polarity

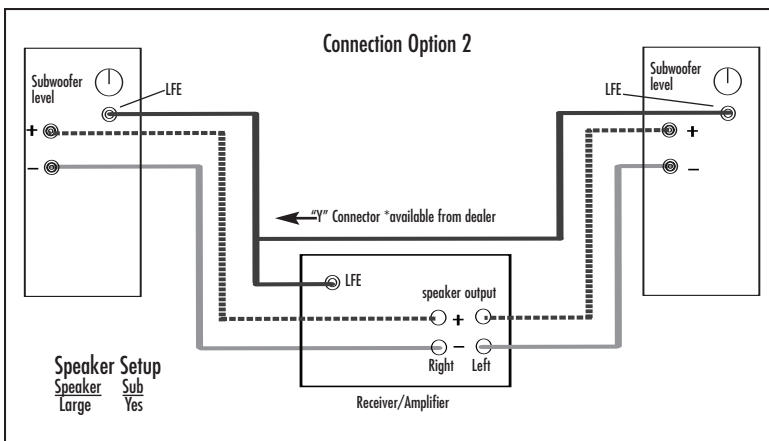
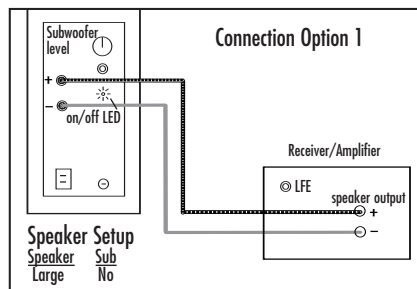


Wiring Options: High Level, High Level and LFE w/ "Y" Connector VERY IMPORTANT:

Do not use your receiver's auto setup functions as they are often ineffective in setting up and adjusting speakers with built-in powered subwoofers!

Use the manual speaker setup functions in your receiver to set speaker configuration, speaker distance and channel balance. Consult your receiver's or processor's manual to learn how to access and use the setup menus. Use the settings called for in **Figure 4**.

Figure 4 – Receiver Settings



Powering the Active Subwoofer

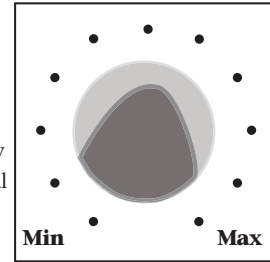
Your Bipolar STs contain a built-in subwoofer amplifier that must be plugged into an electrical socket. When powering up from being unplugged, the LED on the amplifier panel will flash for 30 seconds while the firmware is loading. The Bipolar ST has a special circuit which automatically turns on when a signal is fed to the loudspeaker. The LED on the back panel will light up when a signal is sensed and the amplifier turns on. After the cessation of a signal, it may take up

to an hour for the amplifier to turn off. Due to stray radio signals (RF) in your area, the LEDs may not turn off. Do not be concerned, the amplifiers draw little power when they are idle.

Setting Your Speakers' Low-Frequency Level Control

Your Bipolar STs have bass level controls which allow you to adjust the output level of the powered subwoofers to match your room and personal listening preferences. Please note that there are no controls to vary the crossover points or phase. The crossover points and phase have been factory-calibrated to provide perfect blending. We suggest beginning with the level control set at approximately 12 o'clock.

Each speaker's bass controls can also be set differently in order to allow you to compensate for asymmetrical positioning of the speakers in your room (i.e., when one is closer to a side wall or corner, etc.).



Complete Home Theater System

We strongly suggest that you use matching Definitive center channel and rear/surround speakers to complete your Definitive home theater system. Please note that you can use Definitive Bipolar SuperTowers as rear or side surround speakers with excellent results for both music and movies.

Troubleshooting

If you experience any difficulties with your Bipolar ST loudspeakers, try the suggestions below. If you still have problems, contact your Definitive Technology Authorized Dealer for assistance.

1. **Audible distortion** when the speakers are playing at loud levels is caused by turning up your receiver or amplifier louder than the receiver or the speakers are capable of playing. Most receivers and amplifiers put out their full-rated power well before the volume control is turned all the way up, so the position of the volume control is a poor indicator of its power limit. If your speakers distort when you play them loud, turn the volume down!
2. If you experience a **lack of bass**, it is likely that one speaker is out of phase (polarity) with the other and needs to be rewired with closer attention to connecting positive to positive and negative to negative on both channels. Most speaker wire has some indicator (such as color-coding, ribbing or writing) on one of the two conductors to help you maintain consistency. It is essential to connect both speakers to the amplifier in the same way (in phase).
3. Make sure all your system interconnects and power cords are solidly in place.
4. Should you hear **hum or noise** coming from your speakers, try plugging the speakers' power cords into a different AC circuit than your amplifier.
5. The system has sophisticated **internal protection circuitry**. If for some reason the protection circuitry trips, turn off your system and wait five minutes before trying the system again. If the speakers' built-in amplifier should over-heat, the system will turn off until the amplifier cools down and resets.
6. Check to be sure that your power cord has not been damaged.
7. Check that no foreign objects or liquid has entered the speaker cabinet.
8. If you cannot get the subwoofer driver to turn on or if **no sound** comes out and you are sure the system is set up properly, please bring the loudspeaker to your Definitive Technology Authorized Dealer for assistance; call first.

BIPOLAR SUPERTOWER OWNER'S MANUAL

Specifications	BP-8080ST	BP-8060ST	BP-8040ST	BP-8020ST
Overall Frequency Response	18Hz - 30kHz	20Hz - 30kHz	25Hz - 30kHz	30Hz - 30kHz
Sensitivity	92dB	92dB	92dB	92dB
Impedance	Nominal 8 Ohms	Nominal 8 Ohms	Nominal 8 Ohms	Nominal 8 Ohms
Minimum Recommended Associated Amplifier Power	20-400w	20-300w	20-300w	20-250w
Maximum Recommended Associated Amplifier Power	400w	300w	300w	250w
Built-In Subwoofer Amplifier Power	455w	300w	300w	150w
Dimensions				
Height	48-1/4" (122.5 cm)	44-3/16" (112.2 cm)	39" (99.1 cm)	35-7/8" (91.033 cm)
Footprint Width	12-1/8" (30.8 cm)	11-1/16" (28.1 cm)	10-3/4" (27.3 cm)	10-3/4" (27.3 cm)
Footprint Depth	16-5/16" (41.3 cm)	13-1/16" (34.1 cm)	11-5/8" (29.4 cm)	11-5/8" (29.4 cm)
Speaker Width	7" (17.8 cm)	5-15/16" (15.1 cm)	5-5/8" (14.2 cm)	5-5/8" (14.2 cm)
Speaker Depth	16-5/16" (41.3 cm)	13-7/16" (34.1 cm)	11-5/8" (29.4 cm)	11-5/8" (29.4 cm)
Speaker Complement				
Active woofer quantity	1	1	1	1
Woofer Diameter	12" (30.48 cm)	10" (25.4 cm)	8" (20.32 cm)	8" (20.32 cm)
Bass Radiator Quantity	2	2	2	Vented
Bass Radiator Diameter	12.5" (31.75 cm)	10" (25.4 cm)	8" (20.32 cm)	
Midrange Driver Quantity	3	3	3	3
Midrange Driver Diameter	5.25" (13.34 cm)	4.5" (11.43 cm)	3.5" (8.9 cm)	3.5" (8.9 cm)
Tweeter Quantity	2	2	2	1
Tweeter Diameter	1" (2.54 cm)	1" (2.54 cm)	1" (2.54 cm)	1" (2.54 cm)

Technical Assistance

It is our pleasure to offer assistance if you have any questions regarding your Bipolar STs or their setup. Please contact your nearest Definitive Technology dealer or call us directly at (800) 228-7148 (US & Canada), 01 (410) 363-7148 (all other countries) or e-mail info@definitivetech.com. **Technical support is offered in English only.**

Definitive Technology Offices

11433 Cronridge Drive, Owings Mills, Maryland 21117

Phone: (800) 228-7148 (US & Canada), 01 (410) 363-7148 (all other countries)

Service

Service and warranty work on your Definitive loudspeakers will normally be performed by your local Definitive Technology dealer. If, however, you wish to return the speaker to us, please contact us first, describing the problem and requesting authorization as well as the location of the nearest factory service center. **Please note that the address given in this booklet is the address of our offices only. Under no circumstances should loudspeakers be shipped to our offices or returned without contacting us first and obtaining return authorization.**

Limited Warranty: 5-Years for Drivers and Cabinets, 3-Years for Electronic Components

DEI Sales Co., dba Definitive Technology (herein "Definitive") warrants to the original retail purchaser only that this Definitive loudspeaker product (the "Product") will be free from defects in material and workmanship for a period of five (5) years covering the drivers and cabinets, and three (3) years for the electronic components from the date of the original purchase from a Definitive Authorized Dealer. If the Product is defective in material or workmanship, Definitive or its Authorized Dealer will, at its option, repair or replace the warranted product at no additional charge, except as set forth below. All replaced parts and Product(s) become the property of Definitive. Product that is repaired or replaced under this warranty will be returned to you, within a reasonable time, freight collect. This warranty is non-transferrable and is automatically void if the original purchaser sells or otherwise transfers the Product to any other party.

This Warranty does not include service or parts to repair damage caused by accident, misuse, abuse, negligence, inadequate packing or shipping procedures, commercial use, voltage in excess of the rated maximum of the unit, cosmetic appearance of cabinetry not directly attributable to defects in material or workmanship. This warranty does not cover the elimination of externally generated static or noise, or the correction of antenna problems or weak reception. This warranty does not cover labor costs or damage to the Product caused by installation or removal of the Product. Definitive Technology makes no warranty with respect to its products purchased from dealers or outlets other than Definitive Technology Authorized Dealer.

THE WARRANTY IS AUTOMATICALLY VOID IF:

- 1) The product has been damaged, altered in any way, mishandled during transportation, or tampered with.
- 2) The product is damaged due to accident, fire, flood, unreasonable use, misuse, abuse, customer applied cleaners, failure to observe manufacturers warnings, neglect or related events.
- 3) Repair or modification of the Product has not been made or authorized by Definitive Technology.
- 4) The product has been improperly installed or used.

Product must be returned (insured and prepaid), together with the original dated proof of purchase to the Authorized Dealer from whom the Product was purchased, or to the nearest Definitive factory service center. Product must be shipped in the original shipping container or its equivalent. Definitive is not responsible or liable for loss or damage to Product in transit.

THIS LIMITED WARRANTY IS THE ONLY EXPRESS WARRANTY THAT APPLIES TO YOUR PRODUCT. DEFINITIVE NEITHER ASSUMES NOR AUTHORIZES ANY PERSON OR ENTITY TO ASSUME FOR IT ANY OTHER OBLIGATION OR LIABILITY IN CONNECTION WITH YOUR PRODUCT OR THIS WARRANTY. ALL OTHER WARRANTIES, INCLUDING BUT NOT LIMITED TO EXPRESS, IMPLIED, WARRANTY OF MERCHANTABILITY OR FITNESS FOR A PARTICULAR PURPOSE, ARE EXPRESSLY EXCLUDED AND DISCLAIMED TO THE MAXIMUM EXTENT ALLOWED BY LAW. ALL IMPLIED WARRANTIES ON PRODUCT ARE LIMITED TO THE DURATION OF THIS EXPRESSED WARRANTY. DEFINITIVE HAS NO LIABILITY FOR ACTS OF THIRD PARTIES. DEFINITIVE'S LIABILITY, WHETHER BASED ON CONTRACT, TORT, STRICT LIABILITY, OR ANY OTHER THEORY, SHALL NOT EXCEED THE PURCHASE PRICE OF THE PRODUCT FOR WHICH A CLAIM HAS BEEN MADE. UNDER NO CIRCUMSTANCE WILL DEFINITIVE BEAR ANY LIABILITY FOR INCIDENTAL, CONSEQUENTIAL OR SPECIAL DAMAGES. THE CONSUMER AGREES AND CONSENTS THAT ALL DISPUTES BETWEEN THE CONSUMER AND DEFINITIVE SHALL BE RESOLVED IN ACCORDANCE WITH CALIFORNIA LAWS IN SAN DIEGO COUNTY, CALIFORNIA. DEFINITIVE RESERVES THE RIGHT TO MODIFY THIS WARRANTY STATEMENT AT ANY TIME.

Some states do not allow the exclusion or limitation of consequential or incidental damages, or implied warranties, so the above limitations may not apply to you. This warranty gives you specific legal rights, and you may also have other rights which vary from state to state.

©2009 DEI Sales Co.

All rights reserved.



This product complies with the essential requirements of the EMC directive 89/336/EEC.

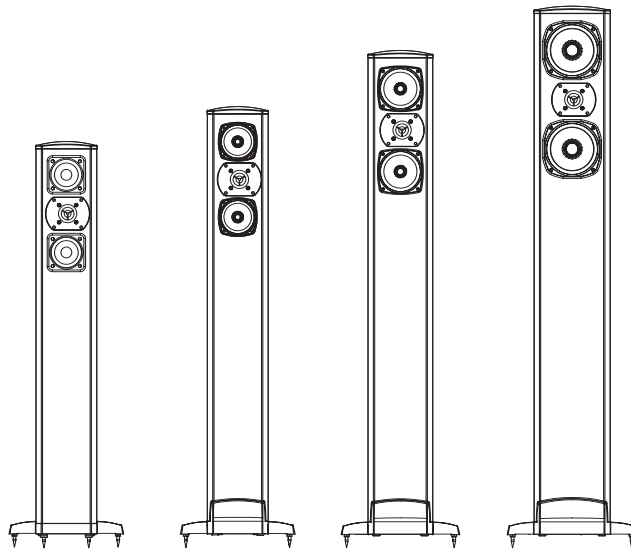
4

7082A100 08112010

For more information on Definitive Technology Loudspeakers and accessories, visit www.definitivetech.com, or email info@definitivetech.com.
Definitive Technology, Owings Mills, Maryland, USA. 800-228-7148

Definitive Technology®
The Leader in High-Performance Loudspeakers®

SuperTower^{MD} de série BP-8000
BP-8080ST, BP-8060ST, BP-8040ST, BP-8020ST



Definitive Technology[®]
The Leader in High-Performance Loudspeakers[®]

Merci d'avoir choisi le système d'enceintes acoustiques bipolaires SuperTower de Definitive Technology. Les enceintes bipolaires ST se caractérisent par leur technologie de radiation bipolaire orientée vers l'avant, une exclusivité Definitive, et par la présence d'un caisson des basses actif intégré. Ces enceintes extraordinaires se situent véritablement à la pointe de la technologie et des performances, tant pour la reproduction musicale que pour le cinéma maison. Vous avez fait le bon choix.

Nos ingénieurs ont dévoué plusieurs années au développement de ce produit. Afin d'assurer les meilleures performances possibles, nous vous encourageons à prendre le temps de lire l'intégralité de ce guide d'utilisation pour vous familiariser avec les procédures d'installation et de configuration recommandées pour vos enceintes.

Précautions



ATTENTION ! Pour réduire les risques d'électrocution et d'incendie, ne retirez pas la façade avant ni la façade arrière de l'appareil. Votre produit ne contient aucune pièce échangeable par l'utilisateur. Veuillez confier toute intervention à un technicien réparateur habilité. Avis : Risque de choc électrique, ne pas ouvrir.

ATTENTION! Le symbole international de l'éclair inscrit dans un triangle est destiné à alerter l'utilisateur quant à la présence de « tensions dangereuses » non isolées à l'intérieur du boîtier de l'appareil. Le symbole international du point d'exclamation inscrit dans un triangle est destiné à alerter l'utilisateur quant à la présence d'instructions d'utilisation, d'entretien et de réparation importantes dans le guide accompagnant l'appareil.

ATTENTION ! Pour éviter tout risque d'électrocution, alignez la fiche du cordon d'alimentation avec la prise de courant et enfoncez-la complètement. Attention : Pour éviter les chocs électriques, introduisez la lame la plus large de la fiche dans la borne correspondante de la prise et poussez jusqu'au fond.

ATTENTION ! Pour réduire les risques d'électrocution, n'exposez pas cet appareil à la pluie ou à l'humidité.

1. Lisez les instructions—Lisez toutes les instructions d'utilisation et les consignes de sécurité avant de faire fonctionner l'appareil.
2. Conservez les instructions—Conservez ces instructions d'utilisation et les consignes de sécurité afin de pouvoir vous y référer à l'avenir.
3. Respectez les mises en garde—Observez tous les avertissements figurant sur l'appareil et dans le guide d'utilisation.
4. Suivez les instructions—Suivez toutes les instructions d'utilisation et les consignes de sécurité.
5. Eau et humidité—N'utilisez jamais l'appareil dans, sur ou auprès de l'eau pour éviter tout risque d'électrocution fatale.
6. Chariots et supports—Ne posez l'appareil que sur les chariots ou les supports recommandés par le fabricant.
7. Montage mural et au plafond—Si vous montez l'appareil sur un mur ou un plafond, respectez les recommandations du fabricant.
8. Ventilation—Positionnez toujours l'appareil de façon à garantir une ventilation adéquate.
Ne l'installez jamais dans un meuble fermé ni dans tout autre lieu qui empêche la circulation de l'air à travers son radiateur.
9. Chaleur—Ne placez jamais l'appareil à proximité de sources de chaleur telles que des radiateurs, bouches de chauffage, poêles ou autres appareils produisant de la chaleur.
10. Alimentation électrique—Ne branchez l'appareil qu'à une alimentation électrique du type décrit dans les instructions ou indiqué sur l'appareil.
11. Protection du cordon d'alimentation—Positionnez les câbles de manière à empêcher que l'on marche dessus ou qu'ils soient écrasés par des objets placés sur ou contre eux. Prenez garde tout particulièrement aux endroits où la fiche pénètre dans une prise et où le cordon sort de l'appareil.
12. Nettoyage—Nettoyez l'appareil conformément aux instructions du fabricant.
13. Périodes de non-utilisation—Débranchez l'appareil de la prise de courant si vous prévoyez ne pas l'utiliser pendant une période prolongée.
14. Danger de pénétration—Prenez garde à ce qu'aucun corps étranger ou liquide ne tombe ou ne soit répandu dans l'appareil.
15. Dommages nécessitant une intervention—L'appareil doit être réparé par un technicien habilité quand :
 - Le cordon d'alimentation ou sa fiche a été endommagé(e).
 - Des objets sont tombés ou du liquide s'est répandu dans l'appareil.
 - L'appareil a été exposé à l'humidité.
 - L'appareil semble ne pas fonctionner convenablement ou présente une dégradation notable de ses performances.
 - L'appareil est tombé ou son coffret est endommagé.
16. Réparations—L'appareil doit toujours être réparé par des techniciens habilités. Seules les pièces de rechange spécifiées par le fabricant doivent être utilisées à cette fin. L'utilisation de composants non autorisés pourrait causer un incendie, une électrocution ou d'autres dangers.

ATTENTION : Consignes de sécurité importantes

AVERTISSEMENT: N'UTILISEZ PAS L'ENCEINTE SANS QUE SES PIEDS STABILISATEURS SOIENT INSTALLÉS

Accessoires fournis avec l'enceinte bipolaire ST :

1. Pieds stabilisateurs : Qté (4) BP-8080ST, BP-8060ST et BP-8040ST ; qté (2) BP-8020ST
2. Vis cruciformes : Qté (8) BP-8080ST, BP-8060ST et BP-8040ST ; qté (4) BP-8020ST
3. Pointes : Qté (4) tous les modèles
4. Patins pour sols durs : Qté (4) tous les modèles

Installation des accessoires

* Definitive Technology décline toute responsabilité pour les dommages aux sols causés par une utilisation inappropriée des accessoires fournis.

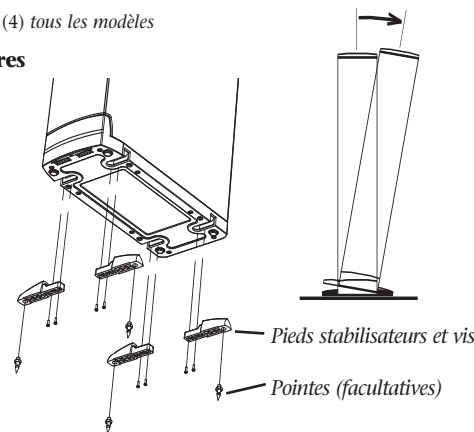


Figure 1

Bloc d'alimentation

1. Le fusible et le dispositif de sectionnement sont situés à l'arrière de l'enceinte.
2. Le dispositif de sectionnement est constitué par le cordon d'alimentation, détachable au niveau de l'enceinte ou de la prise murale.

Déballage de l'enceinte BP-8000 Super Tower

Vérifiez que le produit n'a pas été endommagé durant le transport

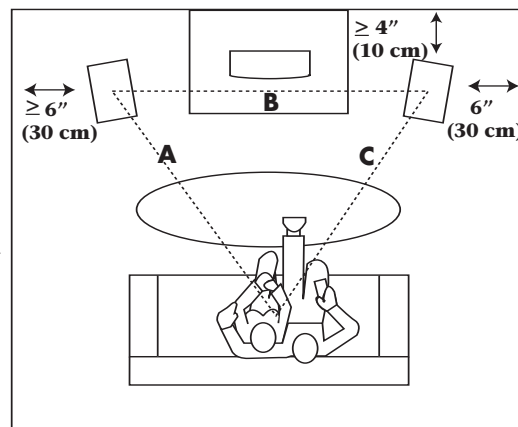
Chaque enceinte quitte notre usine en parfait état. Tout dommage visible ou caché est donc certainement survenu durant l'expédition et vous devez alors avvertir votre revendeur Definitive ou le livreur qui vous a expédié l'enceinte. Déballer vos enceintes soigneusement. Conservez tous les emballages au cas où vous auriez à déplacer ou expédier vos enceintes. Notez le numéro de série inscrit à l'arrière de l'enceinte 8000ST.

Positionnement des enceintes dans la pièce

Vos nouvelles enceintes sont très souples en termes de positionnement et de placement. Pour optimiser leurs performances, nous vous invitons à suivre ces conseils très simples. Même si les recommandations qui suivent donneront généralement les meilleurs résultats, toutes les pièces et configurations d'écoute sont différentes, aussi n'ayez pas peur d'essayer différents placements pour vos enceintes. Vous adopterez celui offrant la meilleure reproduction sonore.

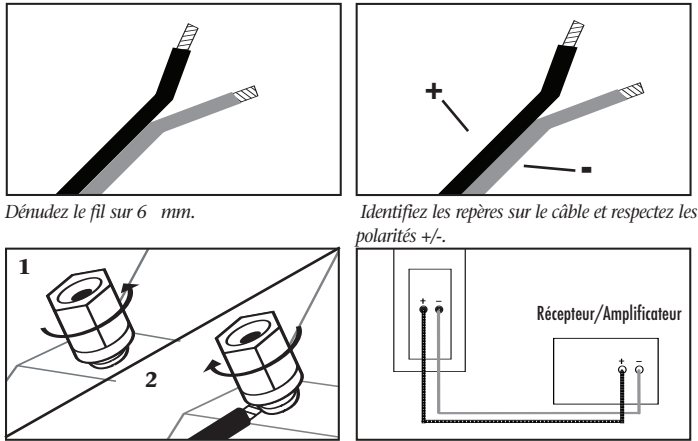
Figure 2 – Positionnement des enceintes bipolaires ST comme enceintes principales gauche/droite

Configurez les enceintes et la position sous forme de triangle équilatéral comme illustré. Vous obtiendrez également d'excellents résultats si la position des auditeurs est un peu plus éloignée. Par exemple, si les lignes A et C mesurent chacune 3 m, la ligne B peut alors mesurer de 2 à 2,50 m.



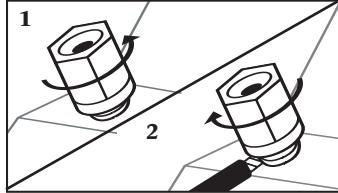
Raccordement des enceintes

Figure 3 – Câblage et polarité

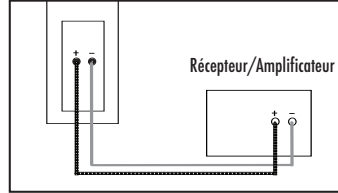


Dénudez le fil sur 6 mm.

Identifiez les repères sur le câble et respectez les polarités +/-.



1. Dévissez la borne et insérez le conducteur dans l'orifice.
2. Revissez jusqu'à ce que le conducteur soit solidement immobilisé.



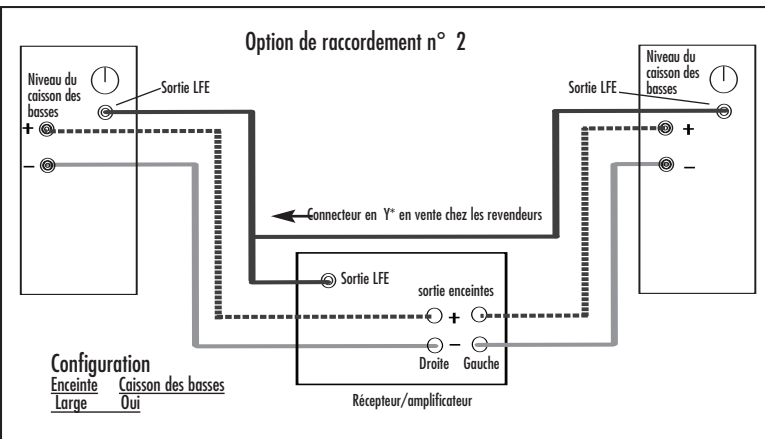
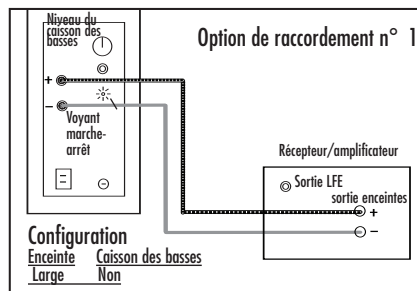
Veillez toujours à un parfait raccordement + sur + et - sur - entre l'enceinte et le récepteur/amplificateur.

Options de câblage : haut niveau, haut niveau et canal LFE avec connecteur en Y
TRÈS IMPORTANT :

N'utilisez pas les fonctions de calibration automatique de votre récepteur/amplificateur car celles-ci sont inefficaces lorsqu'il s'agit de configurer et régler des enceintes à caisson des basses actif intégré !

Servez-vous des fonctions de calibration manuelle de l'appareil pour définir la configuration des enceintes, les distances et l'équilibre des canaux. Consultez le guide d'utilisation de votre récepteur/amplificateur ou processeur pour savoir comment accéder aux menus de calibration et les utiliser. Utilisez les réglages indiqués à la figure 4.

Figure 4



Alimentation électrique du caisson des basses actif

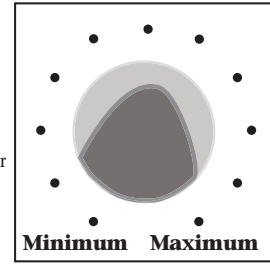
Les enceintes bipolaires ST contiennent un amplificateur pour le caisson des basses intégré qui doit être raccordé à une prise de courant. L'enceinte est dotée d'un circuit spécial qui active automatiquement le caisson des basses dès la réception d'un signal. Le voyant sur la face arrière s'allume lorsqu'un signal est détecté et l'amplificateur est mis sous tension. Après la cessation du signal, il peut s'écouler jusqu'à une heure avant que l'amplificateur ne soit mis hors tension. En cas de perturbations radioélectriques dans votre quartier, il peut arriver

que le voyant ne s'éteigne pas. Mais ne vous inquiétez pas, l'amplificateur ne consomme que très peu de courant lorsqu'il est inactif.

Réglage du niveau de grave sur les enceintes

L'enceinte bipolaire ST est dotée d'une commande de réglage du niveau de graves qui vous permet d'ajuster le niveau de sortie du caisson des basses actif en fonction de l'acoustique de votre pièce et de vos préférences personnelles en matière d'écoute. Veuillez noter qu'aucune commande ne permet de modifier les fréquences de coupure ou la phase. Celles-ci ont été calibrées en usine afin de garantir une parfaite fusion entre les différents haut-parleurs. Nous vous suggérons de débuter vos réglages en positionnant la commande approximativement sur 12 heures.

Il est également possible de régler le potentiomètre de grave de chaque enceinte différemment afin de compenser le positionnement asymétrique des enceintes dans la pièce (par exemple, si l'une d'entre elles se trouve plus proche d'un mur latéral, est située dans un angle, etc.).



Système de cinéma maison complet

Nous vous conseillons vivement d'utiliser des enceintes Definitive de la même gamme pour la voie centrale et les canaux arrière/ambiophoniques afin de compléter votre système de cinéma maison Definitive. Veuillez noter que vous pouvez utiliser les modèles bipolaires SuperTower de Definitive comme enceintes ambiophoniques latérales ou arrière avec d'excellents résultats tant pour la musique que pour les films.

Dépannage

Si vous rencontrez des difficultés avec vos enceintes bipolaires ST, essayez les suggestions ci-dessous. Si les problèmes persistent, communiquez avec votre revendeur agréé Definitive Technology afin d'obtenir de l'assistance.

1. La **distorsion audible** lorsque les enceintes sont poussées à fort volume est causée par une sollicitation du récepteur ou de l'amplificateur supérieure à ses capacités ou à celles des enceintes. La plupart des récepteurs et des amplificateurs offrent leur pleine puissance bien avant que le potentiomètre de volume soit tourné à fond, ce qui fait que la position de ce dernier est un piètre indicateur de leur limite de puissance. Si vous constatez une distorsion lorsque vous écoutez de la musique très fort, baissez le volume !
2. Si vous remarquez un **niveau de grave insuffisant**, la raison probable est qu'une enceinte est hors phase (mauvaise polarité) par rapport aux autres et doit être recablée en prenant bien garde à raccorder le positif (+) au positif (+) et le négatif (-) au négatif (-) sur les deux voies.
La majorité des câbles de haut-parleurs différencient les fils d'une manière ou d'une autre (code couleur, texture ou inscription).
Il est essentiel de relier les deux enceintes à l'ampli de la même manière (en phase).
3. Assurez-vous que tous les cordons d'interconnexion et d'alimentation de votre système sont solidement branchés.
4. Si vous entendez un **ronflement ou du bruit** venant de vos enceintes, essayez de brancher les cordons d'alimentation de ces dernières dans des prises desservies par un circuit électrique différent de celui auquel est raccordé votre amplificateur.
5. Le système est doté d'un **circuit de protection interne** sophistiqué. Si ce circuit entre en action pour une raison ou une autre, mettez le système hors tension et attendez 5 minutes avant d'essayer de le rallumer. Si l'amplificateur intégré aux enceintes vient à surchauffer, le système va se couper automatiquement jusqu'à ce que l'amplificateur ait refroidi et se soit réinitialisé.
6. Vérifiez que votre cordon d'alimentation électrique n'est pas endommagé.
7. Vérifiez qu'aucun corps étranger ou liquide n'a pénétré dans le coffret de l'enceinte.
8. Si vous ne parvenez pas à faire en sorte que le caisson des basses s'active ou si **aucun son** n'en sort alors que vous êtes sûr(e) que le système est configuré convenablement, veuillez ramener l'enceinte chez votre revendeur agréé Definitive Technology afin d'obtenir de l'assistance. N'oubliez pas de téléphoner au préalable.

TOUR BIPOLAIRE À HAUTES CAPACITÉS GUIDE D'UTILISATION

Spécifications	BP-8080ST	BP-8060ST	BP-8040ST	BP-8020ST
Réponse en fréquence globale	18 Hz - 30 kHz	20 Hz - 30 kHz	25 Hz - 30 kHz	30 Hz - 30 kHz
Sensibilité	92	92	92	92
Impédance	Nominale – 8 Ohms	Nominale – 8 Ohms	Nominale – 8 Ohms	Nominale – 8 Ohms
Puissance minimale conseillée de l'amplificateur associé	20-400 W	20-300 W	20-300 W	20-250 W
Puissance maximale conseillée de l'amplificateur associé	400 W	300 W	300 W	250 W
Puissance de l'amplificateur du caisson de basses intégré	455 W	300 W	300 W	150 W
Dimensions				
Hauteur	122,5 cm	112,2 cm	99,1 cm	91,033 cm
Largeur au sol	30,8 cm	28,1 cm	27,3 cm	27,3 cm
Profondeur au sol	41,3 cm	34,1 cm	29,4 cm	29,4 cm
Largeur de l'enceinte	17,8 cm	15,1 cm	14,2 cm	14,2 cm
Profondeur de l'enceinte	41,3 cm	34,1 cm	29,4 cm	29,4 cm
Haut-parleurs				
Nombre de caisson de basses actifs	1	1	1	1
Diamètre du caisson de basses	30,48 cm	25,4 cm	20,32 cm	20,32 cm
Nombre de radiateurs passifs	2	2	2	Ventilé
Diamètre des radiateurs passifs	31,75 cm	25,4 cm	20,32 cm	
Nombre de haut-parleurs médians	3	3	3	3
Diamètre de haut-parleurs médians	13,34 cm	11,43 cm	8,9 cm	8,9 cm
Nombre de haut-parleurs d'aigus	2	2	2	1
Diamètre de haut-parleurs d'aigus	2,54 cm	2,54 cm	2,54 cm	2,54 cm

Assistance technique

Nous serons ravis de vous prêter assistance si vous avez la moindre question à poser au sujet de vos enceintes bipolaires ST ou de leur configuration. N'hésitez pas à contacter le revendeur Definitive Technology le plus proche ou à nous appeler directement au 1 800 228-7148 (États-Unis et Canada) ou au 01 410 363-7148 (tous les autres pays), ou bien à nous envoyer un courriel à cette adresse : info@definitivetech.com. L'assistance technique est offerte en anglais uniquement.

Bureaux de Definitive Technology

11433 Cronridge Drive, Owings Mills, Maryland 21117, États-Unis

Téléphone : 1 800 228-7148 (États-Unis et Canada), 01 410 363-7148 (tous les autres pays)

Service après-vente

Pour obtenir un service après-vente sur vos enceintes Definitive, communiquez avec votre revendeur Definitive Technology local. Toutefois, si vous souhaitez nous retourner l'enceinte, communiquez d'abord avec nous afin de décrire le problème et d'obtenir une autorisation de retour, ainsi que l'adresse du centre de service le plus proche. **L'adresse mentionnée dans ce document est celle de notre siège social. Vous devez impérativement communiquer avec nous et obtenir une autorisation de retour avant de nous envoyer ou retourner vos enceintes.**

Garantie limitée : 5 ans pour les haut-parleurs et coffrets, 3 ans sur les composants électroniques

DEI Sales Co., dba Definitive Technology (ci-après « Definitive ») s'engage exclusivement vis-à-vis de l'acheteur final à ce que cette enceinte Definitive (le « produit ») soit exempte de défauts de conception et de fabrication pour une période de cinq (5) ans concernant les haut-parleurs et coffrets et de trois (3) ans concernant les composants électroniques à compter de la date d'achat du produit auprès d'un revendeur Definitive agréé. En cas de défaut de conception ou de fabrication, Definitive ou le revendeur agréé, à sa seule discrétion, réparera ou remplacera le produit sous garantie sans frais, à l'exception des frais stipulés ci-dessous. Tous les produits et pièces remplacés deviennent la propriété de Definitive. Un produit réparé ou remplacé dans le cadre de cette garantie vous sera renvoyé sous un délai raisonnable, les frais d'expédition étant à votre charge. Cette garantie est non transférable et automatiquement invalidée si l'acheteur d'origine revend ou transfère le produit à un tiers.

Cette garantie ne couvre pas les frais de service ou les pièces de rechange pour la réparation de dommages provoqués par accident, négligence, mesures d'emballage ou d'expédition inadéquates, utilisation commerciale, surtension au delà des spécifications du produit, défauts cosmétiques des coffrets non attribuables à des défauts de matériaux ou de fabrication. Cette garantie ne couvre pas l'élimination de sons parasites provenant d'une source externe, ou la correction de problèmes d'antenne ou de mauvaise réception. Cette garantie ne couvre pas les frais de main d'œuvre ou de dommages entraînés par l'installation ou désinstallation du produit. Definitive Technology fournit ce produit sans garantie s'il a été acheté auprès de revendeurs qui ne sont pas agréés par Definitive Technology.

CETTE GARANTIE EST AUTOMATIQUEMENT ANNULÉE SI :

- 1) Le produit a été endommagé, altéré, mal acheminé ou violé de quelque manière.
- 2) Le produit est endommagé suite à un accident, incendie, inondation, utilisation déraisonnable, mauvaise utilisation, utilisation abusive, l'application de produits nettoyants, non application des consignes du fabricant, négligence ou autres événements de même nature.
- 3) Une réparation ou modification du produit n'a pas été effectuée ou autorisée par Definitive Technology.
- 4) Le produit a été installé ou utilisé de manière incorrecte.

Le produit doit être retourné (par envoi assuré et prépayé) accompagné d'une preuve d'achat datée au revendeur agréé auprès duquel le produit a été acheté, ou au centre de service Definitive le plus proche. Le produit doit être expédié dans son emballage d'origine ou équivalent. Definitive n'est pas responsable en cas de dommage ou de perte du produit en transit.

CETTE GARANTIE LIMITÉE EST LA SEULE GARANTIE EXPLICITE COUVRANT VOTRE PRODUIT. DEFINITIVE INTERDIT À TOUTE PERSONNE OU ENTITÉ TIERCE D'ASSUMER EN SON NOM TOUTE AUTRE OBLIGATION OU RESPONSABILITÉ LIÉE À VOTRE PRODUIT OU À CETTE GARANTIE. DEFINITIVE RÉFUTE ET DÉCLINE TOUTE AUTRE GARANTIE, Y COMPRIS ET NON LIMITÉE À TOUTE GARANTIE EXPLICITE OU IMPLICITE DE POTENTIEL COMMERCIAL OU D'ADAPTATION À UN USAGE PARTICULIER DANS LES LIMITES DES LOIS EN VIGUEUR. L'ENSEMBLE DES GARANTIES IMPLICITES COUVRANT LE PRODUIT SONT LIMITÉES À LA DURÉE DE LA GARANTIE EXPLICITE. DEFINITIVE N'EST PAS RESPONSABLE DES AGISSEMENTS DE TIERCES PARTIES. LA RESPONSABILITÉ DE DEFINITIVE, QUEL QUE SOIT LE RÉGIME JURIDIQUE LA GOUVERNANT (CONTRAT, CIVIL, RESPONSABILITÉ STRICTE, ETC.) NE POURRA PAS EXCÉDER LE PRIX D'ACHAT DU PRODUIT FAISANT L'OBJET D'UNE PLAINTÉ. DEFINITIVE NE SERA EN AUCUN CAS TENU POUR RESPONSABLE DE QUELCONQUES DOMMAGES ACCESSOIRES, CONSÉCUTIFS OU SPÉCIAUX. LE CONSOMMATEUR ACCÈPTE ET CONSENTE À CE QUE TOUT LITIGE ENTRE LE CONSOMMATEUR ET DEFINITIVE SOIT JUGÉ CONFORMÉMENT AUX LOIS DE LA CALIFORNIE, DANS LE CONTÉ DE SAN DIEGO. DEFINITIVE SE RÉSERVE LE DROIT DE MODIFIER CETTE DÉCLARATION DE GARANTIE À TOUT MOMENT.

Certaines juridictions n'autorisent pas l'exclusion ou la limitation de dommages consécutifs ou accessoires ou les garanties implicites, et il est possible que les restrictions précitées ne vous concernent pas. Cette garantie vous confère des droits, et vous pouvez bénéficier d'autres droits en fonction de la législation en vigueur dans votre pays.
© 2009 DEI Sales Co. Tous droits réservés.



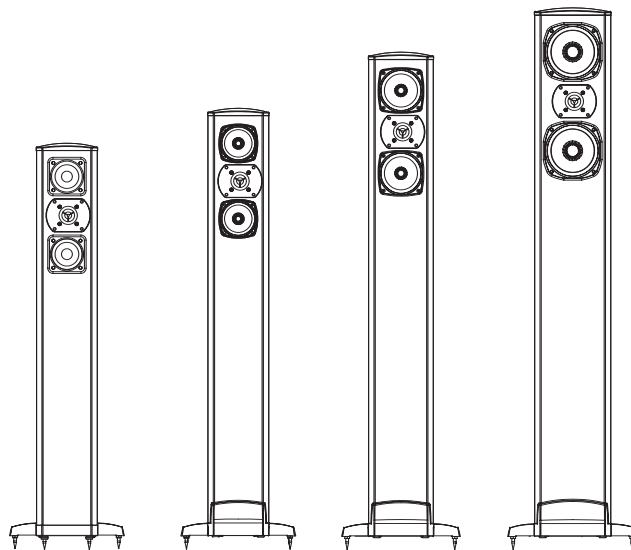
Ce produit est conforme aux principales exigences de la directive CEM 89/336/CEE.

Definitive Technology®
The Leader in High-Performance Loudspeakers®

4 7082A100 08112010

Pour de plus amples renseignements sur les enceintes et accessoires Definitive Technology, rendez-vous sur le site www.definitivetech.com ou envoyez-nous un courriel à cette adresse : info@definitivetech.com.
Definitive Technology, Owings Mills, Maryland, États-Unis. 800-228-7148

*SuperTower® serie BP-8000:
BP-8080ST, BP-8060ST, BP-8040ST, BP-8020ST*



Definitive Technology®
The Leader in High-Performance Loudspeakers®

Le agradecemos que haya elegido el sistema de bocinas bipolares SuperTower de Definitive Technology. Las bocinas bipolares SuperTower (ST) son bocinas únicas que le ofrecen tecnología bipolar de vanguardia y tienen un subwoofer incorporado. Estas extraordinarias bocinas incorporan la tecnología más avanzada para la reproducción de música y cine en casa. Han sido una buena elección.

Nuestros ingenieros invirtieron muchos años en el desarrollo de este producto. Para garantizarle el mejor rendimiento posible, le recomendamos que lea este manual del usuario y se familiarice con los procedimientos correctos de instalación y configuración de las bocinas bipolares ST.

Medidas de seguridad



PRECAUCIÓN: para reducir el riesgo de descarga eléctrica e incendio, no quite la cubierta ni la placa trasera de esta unidad. La unidad no contiene piezas que pueda reparar el usuario. Solicite servicios de mantenimiento o reparación a técnicos profesionales. **Avis:** Risque de choc électrique, ne pas ouvrir.

PRECAUCIÓN: el símbolo internacional del rayo dentro de un triángulo tiene como finalidad advertir al usuario que hay "voltajes peligrosos" sin aislar en el interior de la unidad. El símbolo internacional del signo de exclamación dentro de un triángulo tiene como finalidad advertir al usuario que hay información importante sobre funcionamiento, mantenimiento y reparación en el manual que acompaña al producto.

PRECAUCIÓN: para prevenir descargas eléctricas, inserte hasta el fondo la clavija ancha del enchufe en la ranura ancha del tomacorriente. **Attention:** Pour éviter les chocs électriques, introduire la lame la plus large de la fiche dans la borne correspondante de la prise et pousser jusqu'au fond.

PRECAUCIÓN: para reducir el riesgo de descarga eléctrica, no debe exponer la unidad a lluvia ni humedad.

1. Lea las instrucciones: antes de hacer funcionar la unidad, lea todas las instrucciones de funcionamiento y seguridad.
2. Conserve las instrucciones: siempre deben conservarse las instrucciones de funcionamiento y seguridad.
3. Tenga en cuenta las advertencias: preste atención a todas las advertencias incluidas en el producto y las instrucciones.
4. Siga las instrucciones: deben seguirse todas las instrucciones de funcionamiento y seguridad.
5. Agua y humedad: la unidad nunca debe tomar contacto con agua debido al riesgo de descarga eléctrica mortal.
6. Carros y soportes: la unidad solo debe utilizarse con carros y soportes recomendados por el fabricante.
7. Soportes de techo y pared: la unidad solo debe montarse al techo o a la pared del modo que recomiende el fabricante.
8. Ventilación: la unidad siempre debe colocarse de modo que mantenga una ventilación adecuada.
No debe colocarse nunca en una instalación integrada o en ningún lugar que impida el flujo de aire por el disipador.
9. Calor: no debe colocarse nunca cerca de fuentes de calor, como radiadores, rejillas del piso, estufas u otros dispositivos de calefacción.
10. Suministro de energía: la unidad solo debe conectarse a una fuente de energía del tipo descrito en las instrucciones de funcionamiento o según lo indicado en la unidad misma.
11. Protección del cable de corriente: los cables deben tenderse de modo que ningún objeto los obstruya ni los aplaste. Debe prestarse especial atención a las zonas donde se inserta el enchufe y a la salida del cable de la unidad.
12. Limpieza: la unidad debe limpiarse de acuerdo con las instrucciones del fabricante.
13. Períodos sin uso: la unidad debe desenchufarse cuando no se utilice durante un período prolongado.
14. Filtraciones peligrosas: debe tenerse cuidado de que ningún líquido u objeto extraño se introduzca en la unidad.
15. Daños que requieren reparación: un técnico profesional debe examinar la unidad cuando:
 - se dañó el enchufe o el cable de corriente.
 - ingresaron líquido u objetos extraños en la unidad.
 - la unidad estuvo en contacto con humedad.
 - la unidad no parece funcionar bien o presenta un cambio evidente en su rendimiento.
 - se cayó la unidad o se dañó el gabinete.
16. Mantenimiento y reparación: debe solicitar servicios de mantenimiento y reparación a técnicos profesionales. Solo deben utilizarse piezas de repuesto especificadas por el fabricante. El uso de piezas no autorizadas puede provocar incendios, descargas eléctricas u otros peligros.

PRECAUCIÓN: instrucciones importantes de seguridad

ADVERTENCIA: NO SE DEBE HACER FUNCIONAR LA BOCINA SIN HABER MONTADO LOS PIES DE BASE.

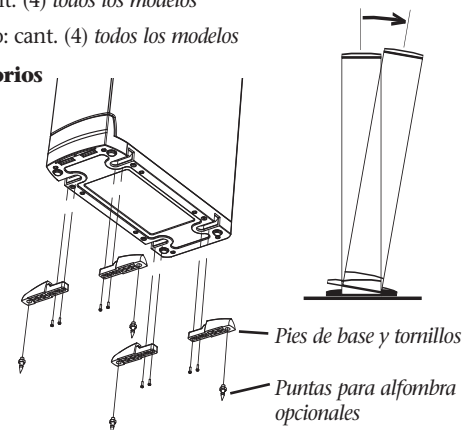
Accesorios incluidos en la caja de bocinas bipolares ST:

1. Pies de base: cant. (4) BP-8080ST, BP-8060ST y BP-8040ST; cant. (2) BP-8020ST
2. Tornillos Phillips: cant. (8) BP-8080ST, BP-8060ST y BP-8040ST; cant. (4) BP-8020ST
3. Puntas para alfombra: cant. (4) *todos los modelos*
4. Bases deslizables para piso: cant. (4) *todos los modelos*

Instalación de los accesorios

**Definitive Technology no se responsabiliza por daños en el piso causados por el uso indebido de los accesorios provistos.*

Figura 1



Suministro de energía

1. El fusible y dispositivo de desconexión se encuentran en la parte posterior de la bocina.
2. El dispositivo de desconexión es el cable de corriente, que se desconecta de la bocina o de la pared.

Al abrir la caja de la bocina SuperTower BP-8000

Verifique que la bocina no se haya dañado durante el envío.

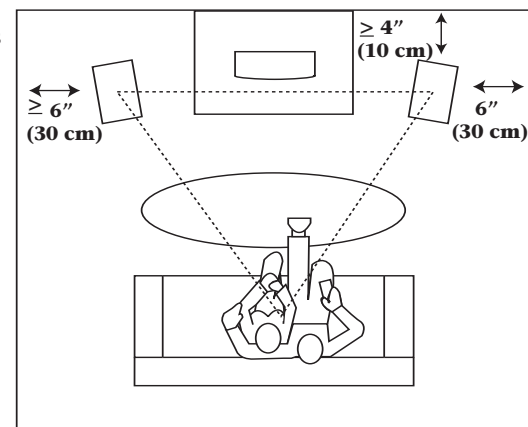
Todas las bocinas salen de la planta en perfectas condiciones. Cualquier daño visible u oculto que se haya producido en el manejo posterior a su salida de la planta debe informarse al distribuidor de Definitive o a la empresa de distribución que le entregó las bocinas. Desempaque las bocinas con cuidado. Guarde la caja y los materiales de embalaje en caso de que se mude o tenga que volver a embalar las bocinas. Registre el número de serie que está en la parte posterior de la bocina bipolar 8000ST.

Colocación de las bocinas en la sala

Las bocinas bipolares pueden colocarse en diversas posiciones. Para optimizar el rendimiento, siga estas sencillas instrucciones. Aunque estas recomendaciones suelen dar los mejores resultados, cada sala y entorno de audición son únicos; por lo tanto, pruebe colocar las bocinas en diferentes posiciones. Cuando encuentre el mejor sonido, esa será la posición correcta.

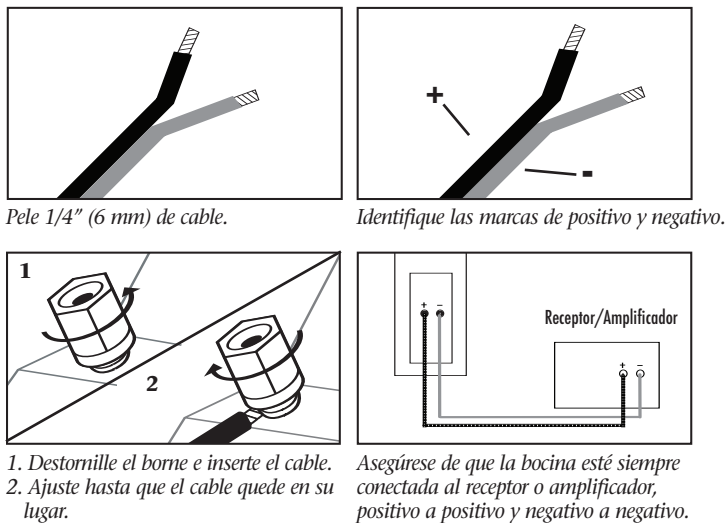
Figura 2 – Colocación de las bocinas bipolares ST a la derecha y la izquierda

Coloque las bocinas de modo que formen un triángulo equilátero con la zona de escucha, tal como se muestra en la figura. También obtendrá buenos resultados si la zona de escucha se encuentra un poco más alejada. Por ejemplo, si la línea A y la C tienen 10' (3 m), la B tendrá entre 7' (2 m) y 8' (2,5 m).



Conexión de las bocinas

Figura 3 Conexión de cables y polaridad



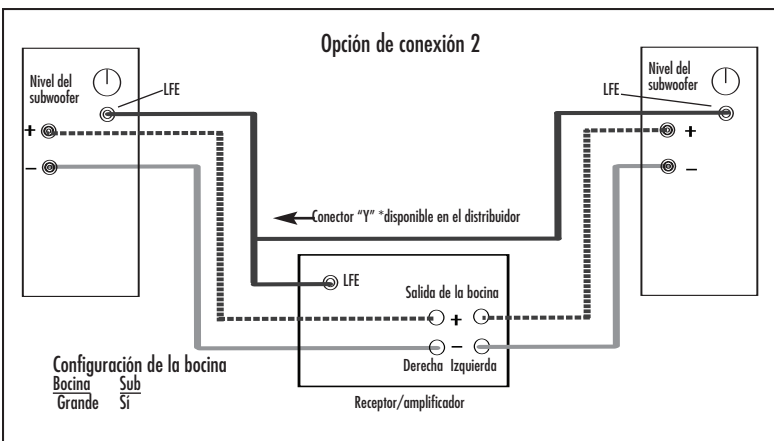
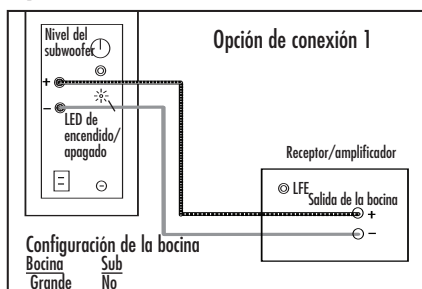
Opciones de conexión de cables: nivel alto, nivel alto y LFE (efectos de baja frecuencia) con conector "Y".

MUY IMPORTANTE:

No utilice las funciones de instalación automática del receptor, ya que no suelen servir para la configuración y el ajuste de bocinas con subwoofers incorporados.

Use las funciones manuales para configurar las bocinas, ajustar la distancia entre ellas y establecer el equilibrio de canales. Consulte el manual del receptor o procesador para saber cómo acceder a los menús de instalación. Use la configuración que se indica en la figura 4.

Figura 4



Conexión del subwoofer activo

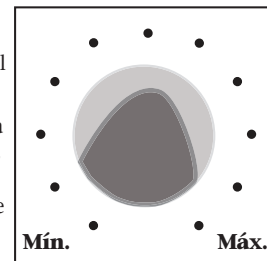
Las bocinas bipolares ST contienen un amplificador de subwoofer incorporado que debe enchufarse en un tomacorriente eléctrico. Cada bocina tiene un circuito especial que se activa automáticamente cuando la bocina recibe una señal. El LED en la parte posterior del panel se iluminará cuando se reciba la señal y el amplificador se active. Desde que cesa la señal, el amplificador puede tardar

hasta una hora en apagarse. Es posible que el LED no se apague debido a la interferencia de radiofrecuencia en la zona. No se preocupe, ya que los amplificadores consumen poca electricidad cuando están en modo de reposo.

Configuración del control de nivel de baja frecuencia de las bocinas

Las bocinas bipolares ST tienen un control de nivel de graves que le permite ajustar el nivel de salida de los subwoofers como mejor se adecue al espacio de la sala o a su gusto personal. Tenga en cuenta que no hay ningún control que modifique la fase o los puntos de cruce. Ya vienen calibrados de fábrica para brindar una fusión perfecta. Recomendamos que comience con el control de nivel ajustado a la mitad.

También se puede ajustar el control de graves de cada bocina a un nivel diferente para poder compensar las posiciones asimétricas de las bocinas en la sala (p. ej., si una está más cerca de una pared o una esquina que la otra, etc.).



Sistema completo de cine en casa

Recomendamos que utilice un canal central y bocinas traseras/de sonido envolvente de Definitive para completar el sistema de cine en casa de Definitive Technology. Tenga en cuenta que puede usar las bocinas bipolares ST de Definitive como bocinas laterales o traseras de sonido envolvente y obtendrá un resultado excelente al reproducir música y películas.

Resolución de problemas

Si tiene problemas con las bocinas bipolares ST, pruebe las siguientes recomendaciones. Si el problema persiste y necesita asistencia técnica, contáctese con su proveedor autorizado de Definitive Technology.

- Se puede producir **distorsión audible** cuando las bocinas funcionan a niveles altos porque se ajustó el receptor o el amplificador a un volumen mayor que el que este o las bocinas pueden reproducir. La mayoría de los receptores y amplificadores emiten su potencia máxima antes de poner el control de volumen al máximo; por lo tanto, la posición del control de volumen no es un indicador exacto del límite de potencia. Si las bocinas distorsionan el sonido al reproducir a alto volumen, simplemente bájelo.
- Si percibe que **faltan graves**, es probable que una de las bocinas esté desfasada (despolarizada) respecto a la otra y que necesite comprobar la conexión de manera minuciosa, positivo a positivo y negativo a negativo en ambos canales. La mayoría de los cables de la bocina cuentan con algún tipo de indicación (colores, texto o etiquetas), al menos en uno de los conductores, para ayudarlo a conectarlos correctamente. Es imprescindible que conecte ambas bocinas al amplificador de la misma manera (en fase).
- Asegúrese de que todas las interconexiones y cables de corriente del sistema se encuentren en su sitio.
- Si percibe **zumbidos o ruidos** provenientes de las bocinas, conecte los cables de corriente de las bocinas a un circuito de CA diferente al del amplificador.
- El sistema incluye un **circuito de protección interna** sofisticado. Si por algún motivo este circuito se interrumpe, apague el sistema y espere cinco minutos para volver a encenderlo. Si el amplificador integrado de las bocinas se sobrecalienta, el sistema se apagará hasta que el amplificador se enfríe y se reinicie.
- Compruebe que el cable de corriente no presente desperfectos.
- Asegúrese de que ningún líquido ni objeto extraño se haya introducido en la bocina.
- Si el subwoofer no se enciende o **no emite sonido**, y está seguro de que el sistema está correctamente configurado, solicite asistencia técnica a su distribuidor autorizado de Definitive Technology. Llame antes.

Especificaciones	BP-8080ST	BP-8060ST	BP-8040ST	BP-8020ST
Respuesta en frecuencia general:	18 Hz - 30 kHz	20 Hz - 30 kHz	25 Hz - 30 kHz	30 Hz - 30 kHz
Sensibilidad	92	92	92	92
Impedancia	8 ohm nominal	8 ohm nominal	8 ohm nominal	8 ohm nominal
Potencia mínima de amplificación asociada recomendada:	20 - 400 w	20 - 300 w	20 - 300 w	20 - 250 w
Potencia máxima de amplificación asociada recomendada:	400 w	300 w	300 w	250 w
Potencia del amplificador del subwoofer incorporado	455 w	300 w	300 w	150 w
Dimensiones				
Altura	48 - 1/4" (122,5 cm)	44 - 3/16" (112,2 cm)	39" (99,1 cm)	35 - 7/8" (91,033 cm)
Ancho total	12 - 1/8" (30,8 cm)	11 - 1/16" (28,1 cm)	10 - 3/4" (27,3 cm)	10 - 3/4" (27,3 cm)
Profundidad total	16 - 5/16" (41,3 cm)	13 - 1/16" (34,1 cm)	11 - 5/8" (29,4 cm)	11 - 5/8" (29,4 cm)
Ancho de la bocina	7" (17,8 cm)	5 - 15/16" (15,1 cm)	5 - 5/8" (14,2 cm)	5 - 5/8" (14,2 cm)
Profundidad de la bocina	16 - 5/16" (41,3 cm)	13 - 7/16" (34,1 cm)	11 - 5/8" (29,4 cm)	11 - 5/8" (29,4 cm)
Bocina				
Cantidad de woofers activos	1	1	1	1
Diámetro del woofer	12" (30,48 cm)	10" (25,4 cm)	8" (20,32 cm)	8" (20,32 cm)
Cantidad de radiadores de graves	2	2	2	Caja abierta
Diámetro de los radiadores de graves	12,5" (31,75 cm)	10" (25,4 cm)	8" (20,32 cm)	
Cantidad de bocinas de frecuencia media	3	3	3	3
Diámetro de bocinas de frecuencia media	5,25" (13,34 cm)	4,5" (11,43 cm)	3,5" (8,9 cm)	3,5" (8,9 cm)
Cantidad de tweeters	2	2	2	1
Diámetro de tweeters	1" (2,54 cm)	1" (2,54 cm)	1" (2,54 cm)	1" (2,54 cm)

Asistencia técnica

Si tiene alguna pregunta con respecto a las bocinas bipolares tipo torre o a su instalación, nos complacerá ayudarlo. Puede contactarse con el distribuidor local de Definitive Technology, llamar directamente al (800) 228-7148 (Estados Unidos y Canadá) o al 01 (410) 363-7148 (todos los demás países), o enviar un correo electrónico a info@definitivetech.com. Definitive Technology sólo ofrece asistencia técnica en inglés.

Oficinas de Definitive Technology

11433 Cronridge Drive, Owings Mills, Maryland 21117, EE. UU.

Tel.: (800) 228-7148 (Estados Unidos y Canadá), 01 (410) 363-7148 (los demás países)

Mantenimiento y reparaciones

El distribuidor local de Definitive Technology normalmente realiza el mantenimiento y las reparaciones bajo garantía de las bocinas Definitive. Sin embargo, si usted desea devolver las bocinas, debe contactarse con nosotros, describir el problema, solicitar el permiso correspondiente y el domicilio del centro de mantenimiento y reparaciones de la fábrica más cercana. **Tenga en cuenta que la dirección que figura en este folleto es la dirección de nuestras oficinas. En ningún caso, se deben enviar bocinas a nuestras oficinas o devolverlas sin antes contactarnos y obtener permiso de devolución.**

Garantía limitada: 5 años para las bocinas y gabinetes, 3 años para los componentes eléctricos

DEI Sales Co., dba Definitive Technology (de aquí en adelante "Definitive") garantiza al comprador final solamente que estas bocinas de Definitive (el "Producto") no tendrán defectos en el material ni en la mano de obra durante un período de cinco (5) años en el caso de las bocinas y gabinetes, y tres (3) años en el caso de los componentes electrónicos, desde la fecha de la compra original a un distribuidor autorizado por Definitive. Definitive o el distribuidor autorizado repararán o reemplazarán, a su criterio, el producto garantizado sin cargo adicional, excepto en los casos mencionados más abajo. Todas las piezas y Productos reemplazados pasarán a ser propiedad de Definitive. Los Productos reparados o reemplazados bajo esta garantía se le devolverán en un plazo razonable, cobrable a la entrega. Esta garantía no es transferible y se anulará automáticamente si el comprador original vende o transfiere el Producto a terceros.

Esta Garantía no incluye mantenimiento, reparación ni piezas para la reparación de daños causados por accidentes, uso indebido, abuso, negligencia, procedimientos inadecuados de embalaje o envío, uso comercial o voltaje superior al establecido para la unidad, o una apariencia estética no atribuible directamente a defectos en el material o en la mano de obra. Esta Garantía tampoco cubre la eliminación de estática o ruido generados por fuentes externas, ni la corrección de problemas de la antena o mala recepción. No cubre gastos por mano de obra ni daños en el Producto causados por su instalación o desinstalación. Definitive Technology no ofrece ninguna garantía para productos adquiridos en distribuidores o tiendas que no estén autorizados por Definitive Technology.

LA GARANTÍA SE ANULARÁ AUTOMÁTICAMENTE SI:

- 1) Se dañó, se alteró de alguna manera o se manipuló el Producto, o si se lo trató inadecuadamente durante el traslado.
- 2) El producto sufrió daños por accidente, incendio, inundación, uso indebido, uso excesivo, abuso, productos de limpieza aplicados por el cliente incumplimiento de las advertencias del fabricante, negligencia o circunstancias similares.
- 3) Se realizaron reparaciones o modificaciones en el Producto que Definitive Technology no autorizó.
- 4) El Producto se instaló o se utilizó incorrectamente.

El Producto deberá devolverse (asegurado y con los gastos pagados con anterioridad), junto con el recibo de compra original, al distribuidor autorizado donde se adquirió o al centro de mantenimiento y reparaciones de la fábrica más cercana. Debe enviarse el Producto en el embalaje original o su equivalente. Definitive no se responsabiliza por la pérdida o los daños que pueda sufrir el producto en el camino.

ESTA GARANTÍA LIMITADA ES LA ÚNICA GARANTÍA EXPRESA VÁLIDA PARA EL PRODUCTO. DEFINITIVE NO ASUME NINGUNA OBLIGACIÓN NI RESPONSABILIDAD RELACIONADA CON EL PRODUCTO O LA GARANTÍA, NI AUTORIZA A NINGUNA PERSONA O ENTIDAD A ASUMIRLAS EN SU NOMBRE. EL RESTO DE GARANTÍAS, INCLUIDAS, ENTRE OTRAS, LA GARANTÍA EXPRESA, IMPLÍCITA, DE COMERCIABILIDAD O DE APTITUD PARA UN FIN DETERMINADO, QUEDAN EXPRESAMENTE EXCLUIDAS Y DECLINADAS HASTA EL LÍMITE PERMITIDO POR LA LEY. TODAS LAS GARANTÍAS IMPLÍCITAS DEL PRODUCTO ESTÁN LIMITADAS A LA DURACIÓN DE ESTA GARANTÍA EXPRESA. DEFINITIVE NO SE RESPONSABILIZA POR LAS ACCIONES DE TERCEROS. LA RESPONSABILIDAD DE DEFINITIVE, YA SEA SOBRE LA BASE DE UN CONTRATO, RESPONSABILIDAD ESTRUCTIVA O EXTRA CONTRACTUAL, O CUALQUIER OTRA TEORÍA LEGAL, NO EXCEDERÁ EL MONTO DE LA COMPRA DEL PRODUCTO POR EL CUAL SE REALIZA EL RECLAMO. DEFINITIVE NO ASUMIRÁ, EN NINGUNA CIRCUNSTANCIA, RESPONSABILIDAD POR DAÑOS ACCIDENTALES, CONSECUTIVOS O ESPECIALES. EL CONSUMIDOR ACEPTA Y ESTÁ DE ACUERDO EN QUE TODOS LOS CONFLICTOS ENTRE ÉL Y DEFINITIVE SE RESOLVERÁN SEGÚN LAS LEYES DE CALIFORNIA EN EL CONDADO DE SAN DIEGO, CALIFORNIA. DEFINITIVE SE RESERVA EL DERECHO DE MODIFICAR ESTA DECLARACIÓN DE GARANTÍA EN CUALQUIER MOMENTO.

En algunos estados, no se permite la exclusión ni la limitación de daños accidentales o consecuentes ni de las garantías implícitas, por lo cual es posible que las limitaciones mencionadas no sean válidas en su caso. Esta garantía le otorga derechos legales específicos, y usted puede tener otros derechos que varían en cada estado.

©2009 DEI Sales Co.

Todos los derechos reservados.



Este producto cumple los requisitos básicos de la directiva CEM 89/336/CEE.

Definitive Technology®
The Leader in High-Performance Loudspeakers®

4 7082A100 08112010

Para obtener más información sobre las bocinas y los accesorios de Definitive Technology, visite www.definitivetech.com o escriba a info@definitivetech.com. Definitive Technology, Owings Mills, Maryland, Estados Unidos. 01 (410) 363-7148

Free Manuals Download Website

<http://myh66.com>

<http://usermanuals.us>

<http://www.somanuals.com>

<http://www.4manuals.cc>

<http://www.manual-lib.com>

<http://www.404manual.com>

<http://www.luxmanual.com>

<http://aubethermostatmanual.com>

Golf course search by state

<http://golfingnear.com>

Email search by domain

<http://emailbydomain.com>

Auto manuals search

<http://auto.somanuals.com>

TV manuals search

<http://tv.somanuals.com>