

EUROCHEF - PRO WALL HOOD

INSTALLATION INSTRUCTIONS



Shown with accessory Duct Cover Kit and accessory Warming Lamp Kit

**APPROVED FOR ALL RESIDENTIAL APPLIANCES
FOR RESIDENTIAL USE ONLY**

PLEASE READ ENTIRE INSTRUCTIONS BEFORE PROCEEDING.
INSTALLATION MUST COMPLY WITH ALL LOCAL CODES.

IMPORTANT: Save these Instructions for the Local Electrical Inspector's use.
INSTALLER: Leave these Instructions with this unit for the owner.
OWNER: Retain these instructions for future reference.

SAFETY WARNING

Turn off power circuit at service panel and lock out panel
before wiring this appliance.

REQUIREMENT: 120VAC, 60 Hz. 20A Branch Circuit

READ AND SAVE THESE INSTRUCTIONS

EUROCHEF U.S.A.

41 MERCEDES WAY SUITE 25 EDGEWOOD NEW YORK 11717 – TEL. 866-844-6566

WWW.DELONGHIMAJORAPPLIANCES.COM

WWW.DELONGHIRANGES.COM



EUROCHEF - PRO WALL HOOD

HOODS

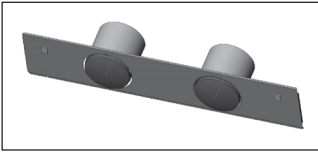
HOODS	WEIGHT	MODEL NUMBER	FEATURES
24" range hood with 600 CFM blower	22 lbs	ECPH24S	Controls: 4-speed electronic with 15" minute delayed shutoff timer
30" range hood with 600 CFM blower	30 lbs	ECPH30S	Fabrication: Welded, polished and brushed seams All edges hemmed
36" range hood with 600 CFM blower	36 lbs	ECPH36S	Features: 304 stainless hood baffle filter and grease tray 12V halogen lighting, lamps included Top and Back ducting 24", 30", 36" hoods Transition to 8" round with damper included Install to wall or cabinets
48" range hood with 1200 CFM blower	48 lbs	ECPH48S	

ACCESSORIES

MODEL NUMBER

WARMING LAMP KIT

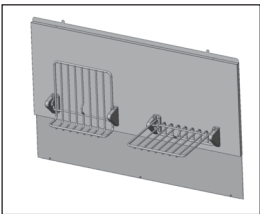
Includes 175W Warming Lamps, rocker switches, quick connect wiring. Field installable.



24"/30" Warming Lamps Kit: (1) 175W Warming Lamp	EC LAMP24/30
36" Warming Lamps Kit: (2) 175W Warming Lamp	EC LAMP36
48" Warming Lamps Kit: (2) 175W Warming Lamp	EC LAMP48

BACKSPLASH WITH WARMING SHELVES KIT

Includes telescoping 2-piece backsplash, removable & dishwasher safe shelves

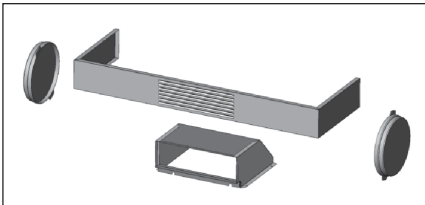


24" Backsplash with (1) shelf	EC BKSPL24
30" Backsplash with (1) shelf	EC BKSPL30
36" Backsplash with (2) shelf	EC BKSPL36
48" Backsplash with (2) shelf	EC BKSPL48

RECIRCULATING KIT

Includes 4" high duct cover, 90 degree transition, charcoal filters

NOTE: Do not use with indoor BBQ. Do not use with Blower Upgrade Kit (below).



24" Recirculating Kit	EC DLK24
30" Recirculating Kit	EC DLK30
36" Recirculating Kit	EC DLK36
Not Available for 48" Hoods	

REPLACEMENT CHARCOAL FILTER

For use with Recirculating Kit Only

Includes 2 Sets of Filters

EC FILT

BLOWER UPGRADE KIT

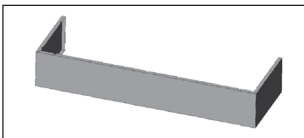
Kit for 30" and 36" hoods only. Includes 600 CFM blower.

Not for use with Recirculating Kit or horizontal ducting

EC BLMT

DUCT COVER 6"

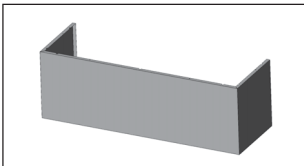
Stackable 304 stainless steel.



24" wide 6" high duct cover	EC CVR246W
30" wide 6" high duct cover	EC CVR306W
36" wide 6" high duct cover	EC CVR366W
48" wide 6" high duct cover	EC CVR486W

DUCT COVER 12"

Stackable 304 stainless steel.



24" wide 12" high duct cover	EC CVR2412W
30" wide 12" high duct cover	EC CVR3012W
36" wide 12" high duct cover	EC CVR3612W
48" wide 12" high duct cover	EC CVR4812W

EUROCHEF - PRO WALL HOOD

READ THESE INSTRUCTIONS COMPLETELY AND CAREFULLY

WARNING

TO REDUCE THE RISK OF FIRE, ELECTRICAL SHOCK OR INJURY TO PERSONS, OBSERVE THE FOLLOWING:

- A. Use this unit only in the manner intended by the manufacturer. If you have any questions, contact the manufacturer.
 - B. Before servicing or cleaning unit, switch power off at the service panel and lock service panel to prevent power from being switched on accidentally. If the service panel cannot be locked, fasten a tag or prominent warning label to the panel.
- For general ventilating use only. Do not use to exhaust hazardous or explosive materials or vapors.
 - Structural framing, installation work and electrical wiring must be done by qualified person(s). In accordance with all applicable codes and standards including fire-rated construction.
 - Sufficient air is needed for proper combustion and exhausting of gases through the flue (chimney) of fuel burning equipment to prevent back drafting. Follow the heating equipment manufacturer's guideline and safety standards such as those published by the National Fire Protection Association (NFPA), and the American Society for Heating, Refrigeration and Air Conditioning Engineers (ASHRAE), and the local code authorities.
 - Local codes vary. Installation electrical connections and grounding must comply with applicable codes. In the absence of local codes, the vent should be installed in accordance with National Electrical Code ANSI/NFPA 70-1990 or latest edition.

ADVERTISSEMENT

POUR RÉDUIRE LE RISQUE D'INCENDIE, DE CHOC ÉLECTRIQUE OU DE BLESSURES, IL FAUT OBSERVER LES REGLES SUIVANTES:

- A. Utiliser cet appareil uniquement de la manière prévue par le fabricant. En cas de question, consulter le fabricant.
 - B. Avant toute intervention ou nettoyage, couper l'alimentation électrique au disjoncteur et verrouiller le panneau du disjoncteur pour éviter la mise sous tension accidentelle. S'il n'est pas possible de verrouiller le panneau du disjoncteur, attacher un placard ou une étiquette très visible au panneau.
- For general ventilating use only. Do not use to exhaust hazardous or explosive materials or vapors.
 - Structural framing, installation work and electrical wiring must be done by qualified person(s). In accordance with all applicable codes and standards including fire-rated construction.
 - Sufficient air is needed for proper combustion and exhausting of gases through the flue (chimney) of fuel burning equipment to prevent back drafting. Follow the heating equipment manufacturer's guideline and safety standards such as those published by the National Fire Protection Association (NFPA), and the American Society for Heating, Refrigeration and Air Conditioning Engineers (ASHRAE), and the local code authorities.
 - Local codes vary. Installation electrical connections and grounding must comply with applicable codes. In the absence of local codes, the vent should be installed in accordance with National Electrical Code ANSI/NFPA 70-1990 or latest edition.

CONSIDERATIONS BEFORE INSTALLING HOOD

1. For the most efficient air flow exhaust, use a straight run or as few elbows as possible.
 2. Do not use flex ducting use metal ductwork only to reduce the risk of fire.
 3. COLD WEATHER installations should have an additional backdraft damper installed to minimize backward cold air flow and a non-metallic thermal break to minimize conduction of outside temperatures as part of the ductwork. The damper should be on the cold air side of the thermal break. The break should be as close as possible to where the ducting enters the heated portion of the house.
 4. Hood installation height above cooktop is the users preference. The lower the hood above the cooktop, the more efficient the capturing of cooking odors, grease, and smoke. This hood has been approved for installations as low as 24 inches* above the cooktop. The lower height may be inconvenient for tall people and large cooking vessels. Consequently, The manufacturer recommends the hood be installed 30-to-36 inches above the countertop.
- * For indoor grill installations, The manufacturer recommends a minimum of 30" clearance.
5. Make-Up Air: Local building codes may require the use of make-up air systems when using ducted ventilation systems greater than specified CFM of air movement. The specified CFM varies from locale to locale. Consult your HVAC professional for specific requirements in your area.
 6. **Skill Level** - Installation of this vent hood requires basic mechanical and electrical skills.
 7. **Completion time**- 1 to 3 hours.
 8. Proper installation is the responsibility of the installer.
 9. Product failure due to improper installation is not covered under the Warranty.

CAUTION:

To reduce risk of fire and to properly exhaust air, be sure to duct air outside - Do not vent exhaust air into spaces within walls or ceilings or into attics, crawl spaces, or garages.

PRUDENCE:

Il faut prendre soin d'installer tul conduit vers l'extérieur pour réduire le risque d'incendie et pouvoir évacuer l'air correctement. Il ne faut pas évacuer l'air correctement. Il ne faut pas évacuer l'air dans l'espace entre les parois d'un mur, un plafond ou un grenier, un espace sanitaire ou ou garage.

WARNING:

Any such alteration from original factory wiring could result in damage to the unit and/or create an electrical safety hazard.

ADVERTISSEMENT

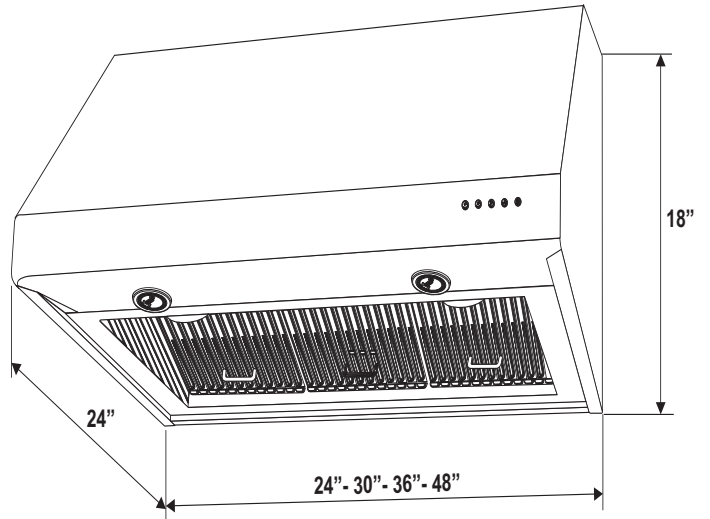
Toute modification de ce type du branchement d'usine peut endommager l'appareil ou créer un risque de choc électrique.

EUROCHEF - PRO WALL HOOD

CONTENTS AND PAGE NUMBER

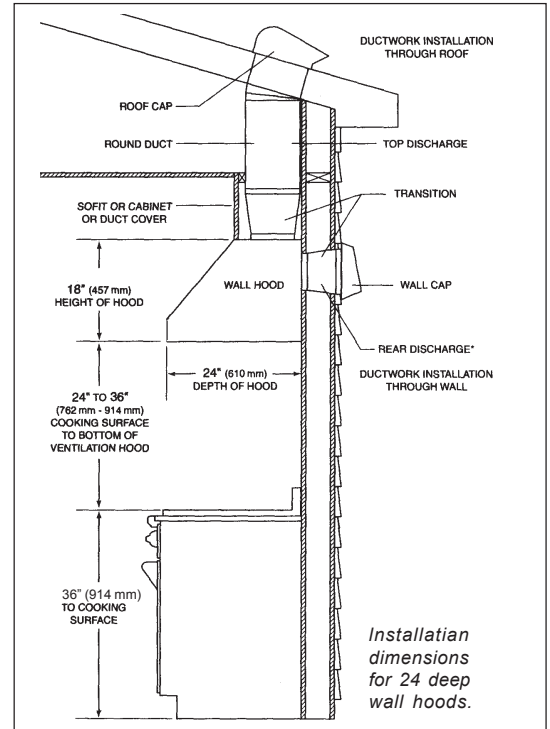
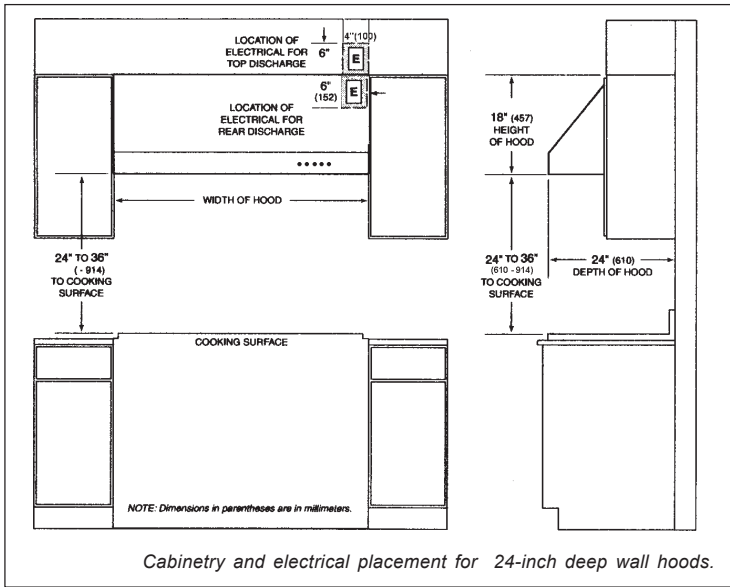
Product Dimensions.....	pg.4
Advance Planning.....	pg.5
Using Duct Cover Accessories.....	pg.5
Tools and Materials Required	pg.5
Remove the packaging.....	pg.6
Parts Provided.....	pg.6
Step 1: Determine Ductwork and Wiring Locations.....	pg.7
Step 2: Prepare hood for installation.....	pg.7
Step 3A: Install Hood Onto Wall.....	pg.10
Step 3B: Install Hood Beneath Soffit or cabinet.....	pg.11
Step 4: Connect Ductwork	pg.12
Step 5: Connect Electrical	pg.12
Step 6: Install Duct Covers	pg.12
Step 7: Tighten hanging screws	pg.13
Step 8: Re-Install the Filter Frame	pg.13
Step 9: Install Grease filter trays + filters	pg.14
Step 10: Test hood	pg.14
Care and use instructions	pg.15

PRODUCT DIMENSIONS



EUROCHEF - PRO WALL HOOD

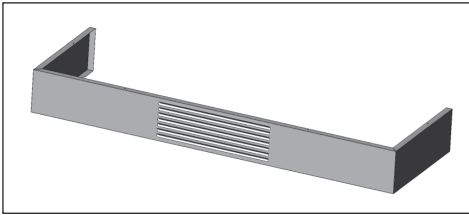
ADVANCE PLANNING



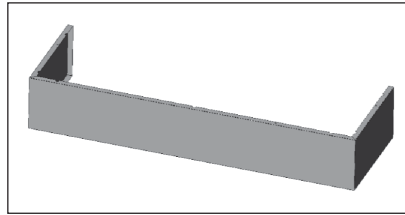
USING DUCT COVER ACCESSORIES

To avoid gaps, plan the hood installation height for duct cover use.

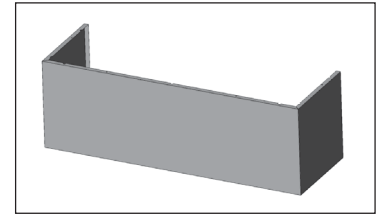
Recirculating Kit Cover 4" (if used)



Duct cover 6"

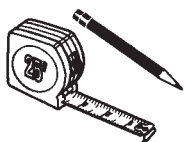


Duct cover 12"



1. Duct covers and Recirculating Kit covers are stackable.
2. The hood is 18" tall and can be installed from 24" to 36" above cooking surface (30" to 36" is optimum).
3. Locate hood so that duct covers and Recirculating Kit Cover (If used) leave no gap between hood and ceiling.

TOOLS AND MATERIALS REQUIRED (NOT SUPPLIED)



Pencil and tape measure



Duct tape



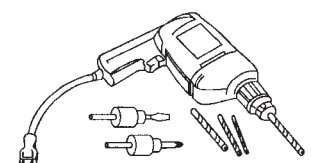
Wire cutter/stripper



Hammer



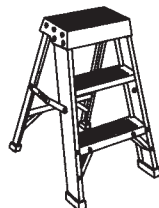
Key Hole Saw



Electric or battery operated drill and 1/8", 3/8" bits



Spirit level



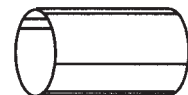
Step ladder



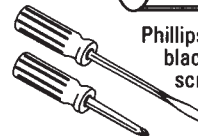
Safety glasses



Wire nuts



8" round metal duct, length to suit installation.



Phillips and flat blade screwdrivers



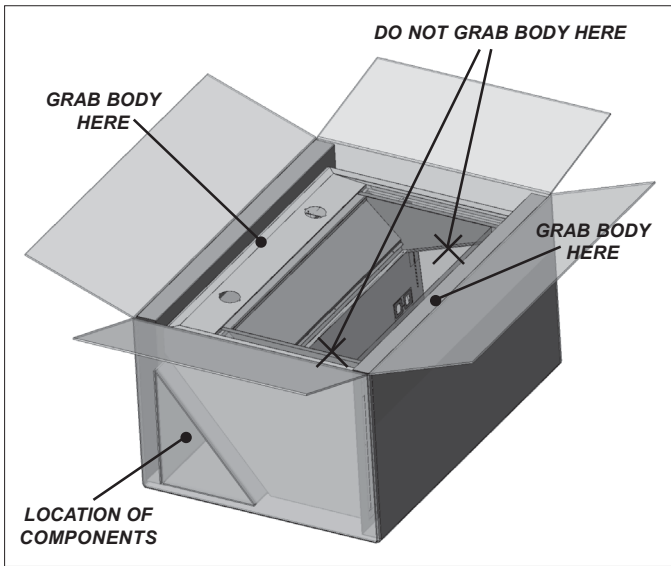
Strain relief for junction cover.



120V 60Hz, 15 or 20 Amp, 2-wire with ground, properly grounded branch circuit.

EUROCHEF - PRO WALL HOOD

REMOVE THE RANGEHOOD



Parts Included with your Hood

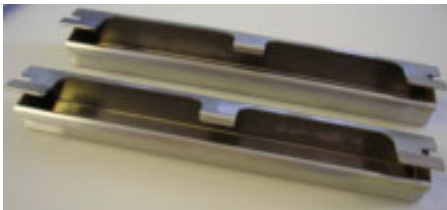
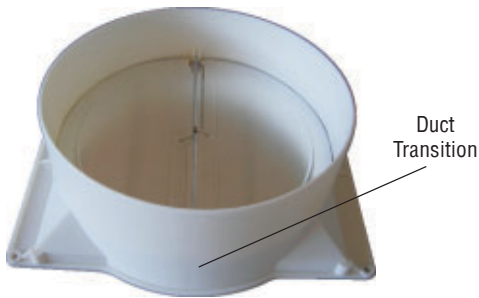
- Hood with blower installed
- 12-Volt halogen bulbs, installed
- Care & Use /Installation Instructions
- Registration Card
- Filters (24" & 30" = 2; 36" = 3; 48" = 4)
- Grease trap (24" & 30" = 2; 36" = 3; 48" = 4)
- Transition with Back draft damper
- Fasteners
- Wooden bracket for Hood Support

Parts Not Included with your Hood

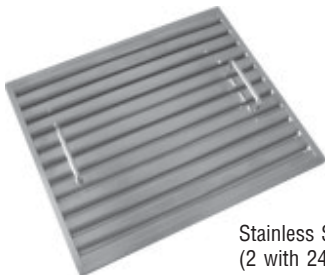
- Duct Cover Kit, 6" or 12" height
- Warming lamp kit
- Back Splash + Warming shelf kit
- Blower upgrade kit for 30" - 36" models only
- Recirculating kit
- See your dealer to purchase these kits

PARTS PROVIDED

Locate the parts packed with the hood.



Grease Trays
(2 with 24", 30" models)
(3 with 36" models)
(4 with 48" models)



Stainless Steel Grease Filters
(2 with 24", 30" models)
(3 with 36" models)
(4 with 48" models)



Washers
no. 4 for 24"-30"
no. 6 for 36"-48"
for use with screws
to attach hood to
Bracket



Screws to hang and
secure hood to the
Wood Bracket
(torx 20)
4,5 x 20 mm
no. 4 for 24"-30"
no. 6 for 36"-48"



Washers
no. 3 6 x 24
for use with
screws to
anchor hood



no.3 screws and no.3 wall anchors
(Phillips) M5 x 57 mm



HARDWARE PACKAGE
Locate and check contents.
Screws shown actual size



no. 4 screws 80mm to attach wood
bracket to wall studs (torx 25)



no. 4 screws to fix duct transition (torx 20)
3,9 x 9,5 mm

EUROCHEF - PRO WALL HOOD

STEP 1 DETERMINE HOOD, DUCTWORK AND WIRING LOCATIONS

- Use a level to draw the cooktop centerline vertically up the wall to the ceiling.
- Measure desired distance from the bottom of the hood to the cooking surface, 24" min. to 36" max.

Note: If installing with Duct Cover Kit or Recirculating Kit, see "Using Duct Cover Accessories", pg 5 to eliminate gaps at ceiling.

- Use a level to draw a straight horizontal pencil line indicating the bottom of the hood.

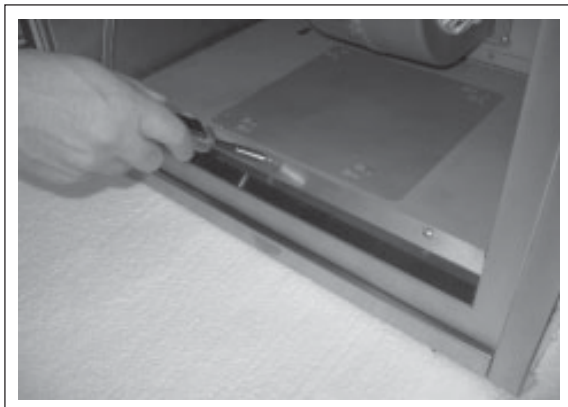
FOR VERTICAL (Straight Up) DUCTING:

- Affix enclosed paper template to wall.
- If venting out the ceiling, extend the centerline forward on the ceiling or soffit.
- Locate the centerline of a 8-1/2" diameter hole on the ceiling or soffit by measuring 6" from the wall.

FOR DUCTING THROUGH WALL PLEASE SEE TEMPLATE:

Use template to identify wall exit hole location, wood wall bracket location, and wiring location.

STEP 2 PREPARE HOOD FOR INSTALLATION



REMOVE FILTER FRAME

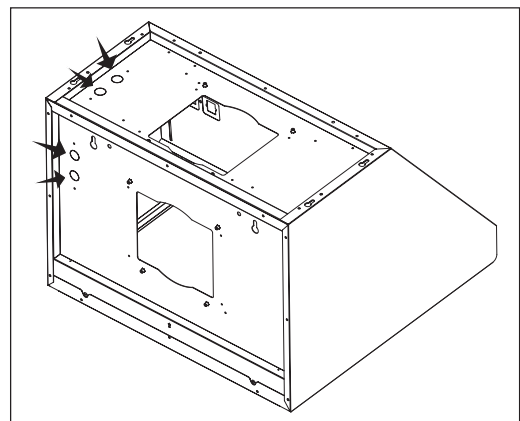
- Remove Filter Frame per photographs
- Store Filter Frame in safe place so it will not be damaged.
- Do not loose the Filter Frame screws, re-screw them loosely, back into the hood.

OTHER PREPARATIONS

- Move blower to back if necessary.
- Install transition to top or back.
- If using Recirculating Kit, affix 90° transition from kit. Must install the hood to the wall. (step 3A)
- If using Warming Lamps Kit: install kit now or later.
- If using Blower Upgrade Kit (30"-36" only): install kit now or later.
- Move junction box from top to back if preferred.
- Install strain relief in junction box

JUNCTION BOX LOCATION:

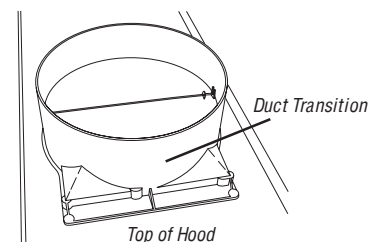
- The junction box is fastened to the top of the hood. Relocate to back if preferred.
- Remove junction box cover and one knockout. Install strain relief.



Install Transition Onto Top or Back of Hood

IMPORTANT:

Remove shipping tape from damper and check that damper moves freely.



- Place the transition piece over the hood exhaust and secure with 4 screws provided.
- Use duct tape to seal the connection. Check to be sure the damper moves freely.

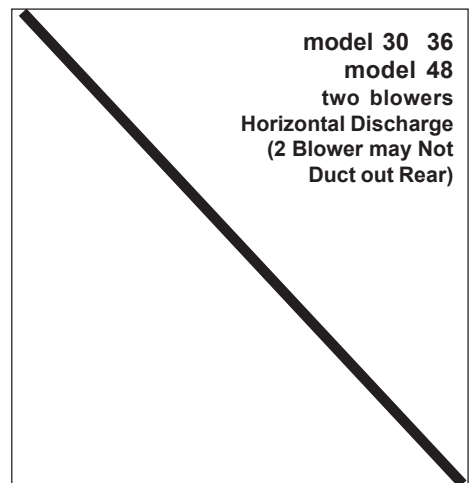
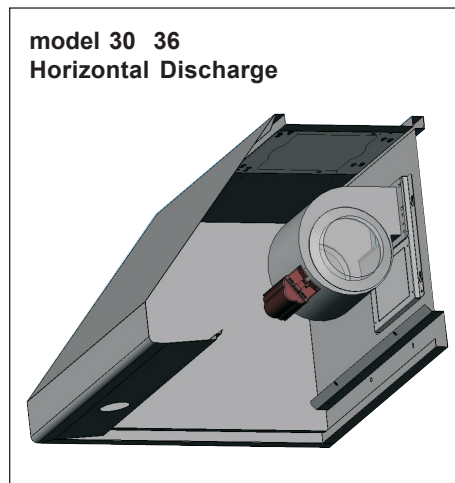
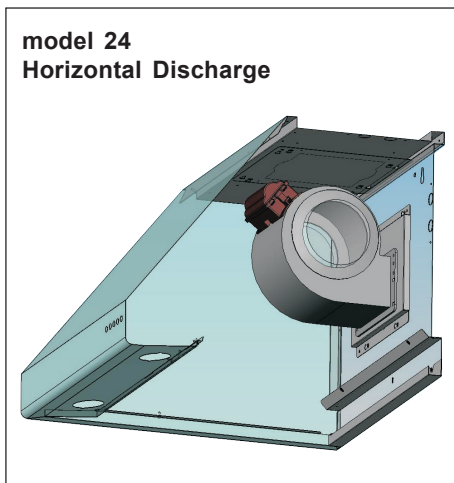
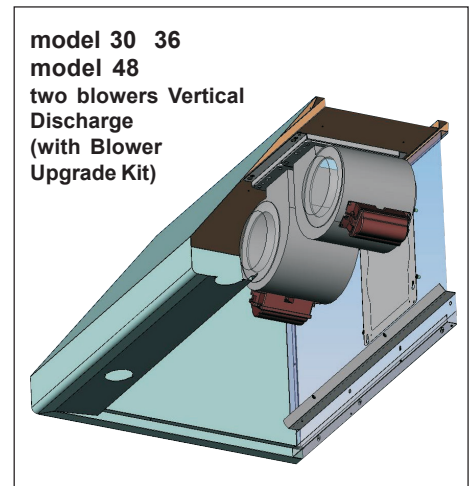
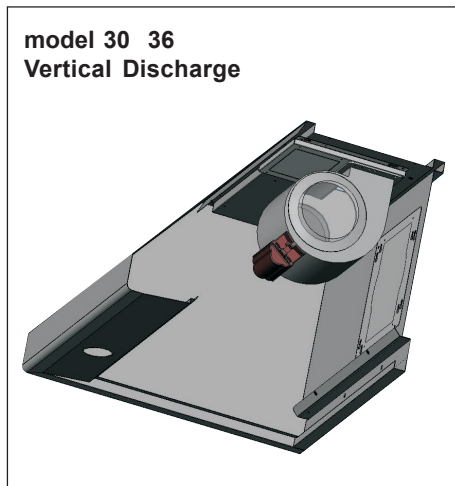
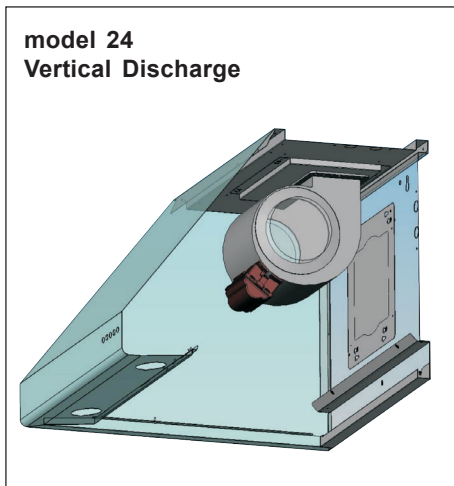
EUROCHEF - PRO WALL HOOD

BLOWER POSITION CHART

Hood size	Motor	Recirculating Kit option	Top ducting option	Rear ducting option
24"	1	YES	YES	YES
30"	1	YES	YES	YES
30"	2*	NO	YES	NO
36"	1	YES	YES	YES
36"	2*	NO	YES	NO
48"	2	NO	YES	NO

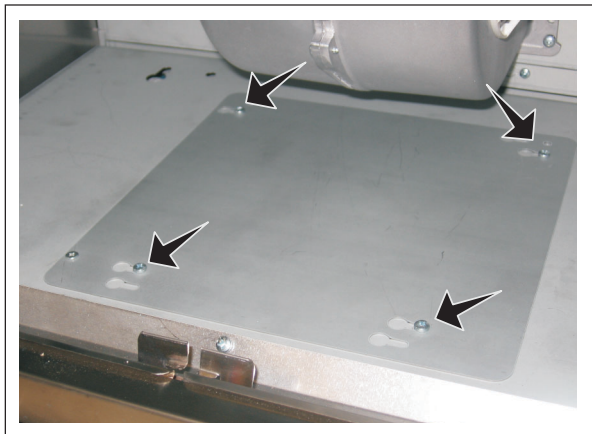
(*) with Blower Upgrade Kit

BLOWER POSITION OPTION

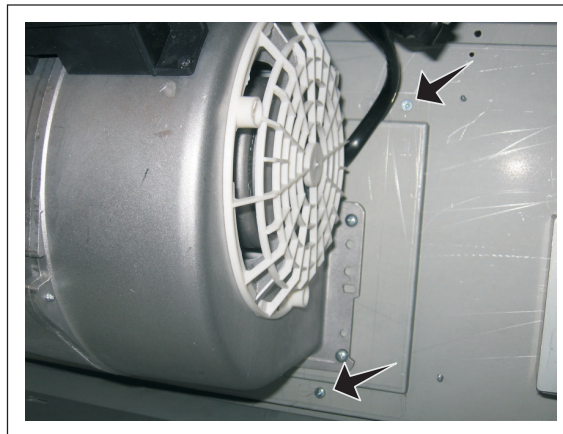


EUROCHEF - PRO WALL HOOD

IF CHANGING BLOWER POSITION

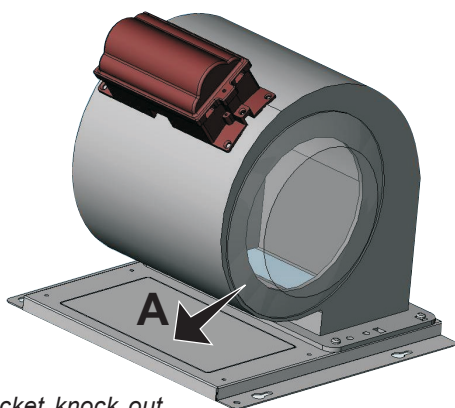


SECURITY SCREW

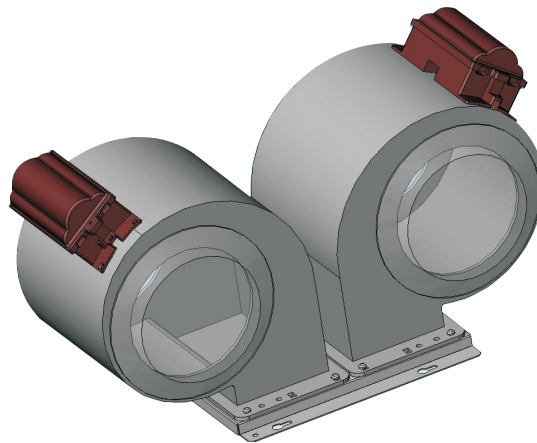


1. Disconnect motor from power supply
2. Remove Blower security screw from blower bracket and remove blower.
3. Loosen 4 screws from blower bracket.
4. Shift blower to right and Remove Blower.
5. Loosen 4 screws and remove sealing plate covering back venting hole.
6. Reverse this procedure in new locations.
7. Reconnect blower to power supply.

BLOWER UPGRADE KIT 30" AND 36" HOODS



"A": remove bracket knock out before fixing 2nd motor



1. Follow steps 1, 2, 3, 4 above.
2. Remove blower from bracket
3. Remove knockout from blower bracket
4. Re-attach blower and blower upgrade kit with screws provided.
5. Re-attach blower to top of hood only. Double Blowers may not be installed on back of hood.
6. Tighten 4 screws, and screw in one security screw.
7. Each Blower must be connected to the hood power supply.

WARNING:

- disconnect the motor before changing position; reconnect after it is moved.

ATTENTION:

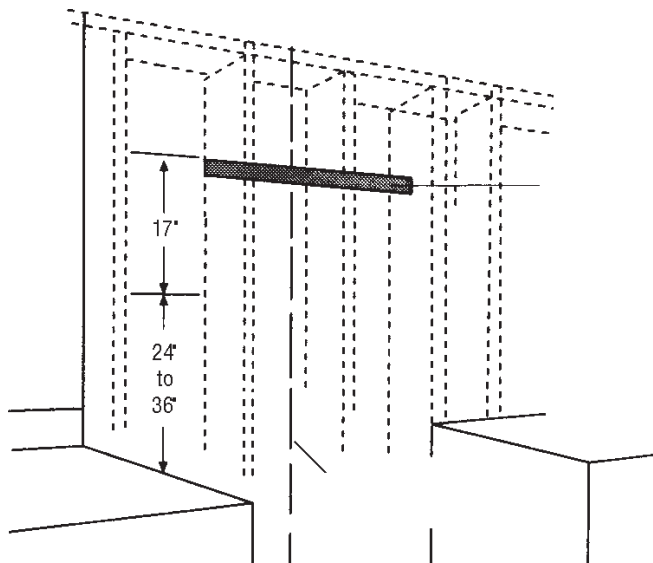
Débrancher le moteur avant de changer de position, rebrancher après le changement de position

EUROCHEF - PRO WALL HOOD

STEP 3A: INSTALL HOOD ONTO WALL (see enclosed template)

SKIP THIS STEP IF INSTALLING BENEATH A SOFFIT OR CABINET, GO TO STEP 3B.

- Affix enclosed paper template to wall.
- From the line indicating the bottom of the hood, measure 17" up and draw another line for the location of the Wood Bracket. See illustration.
- Locate at least 2 vertical studs at the Wood Bracket.
- Center the supplied Wood Bracket, left to right and below the marked line.

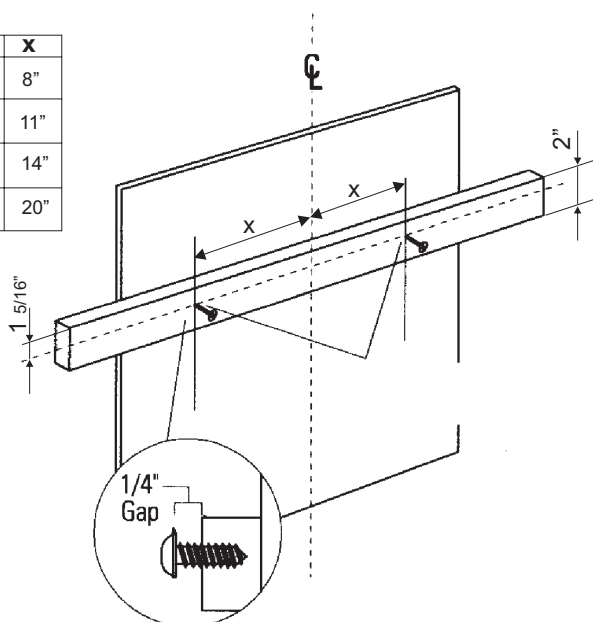


- Secure the Wood Bracket to 2 or more vertical studs, using at least 2 of the 4 supplied long screws.

IMPORTANT: Screws must penetrate at least 1-1/2" into vertical studs. Countersink screws into support.

AFFIXING THE HOOD MOUNTING SCREWS

	X
24"	8"
30"	11"
36"	14"
48"	20"

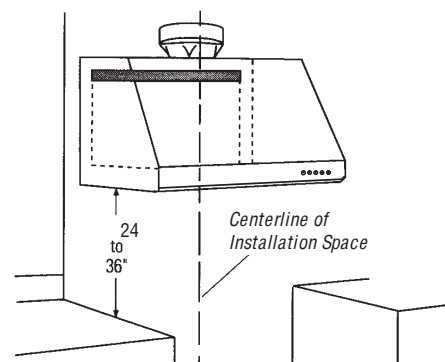


- Insert hood mounting screws in the Wood Bracket at the locations shown in the diagram, so screws protrudes 1/4". This 1/4" gap will provide clearance to hang the hood.

IMPORTANT: FRAMING MUST BE CAPABLE OF SUPPORTING UP TO 150 LBS

Hang Hood On Wood Bracket

- Lift the hood and hold close to the installation location. Route house wiring through the knockout and into the junction box.
- Place the hood over the Wood Bracket. Be sure the mounting screws engage the keyhole slots in the back of the hood.
- Check to be sure the hood is level and centered.
- Use midpoint arrow in back of hood to confirm horizontal position.



Test Duct Cover Fit (do not install Duct covers)

- Place duct covers or recirculating cover over the top of the hood to check for gaps.
- Confirm that the ceiling gap, if any, is less than 3/8".
- If gap is greater than 3/8", OR if duct covers do not fit, it is necessary to remove, re-measure and reinstall the Wood Bracket.

EUROCHEF - PRO WALL HOOD

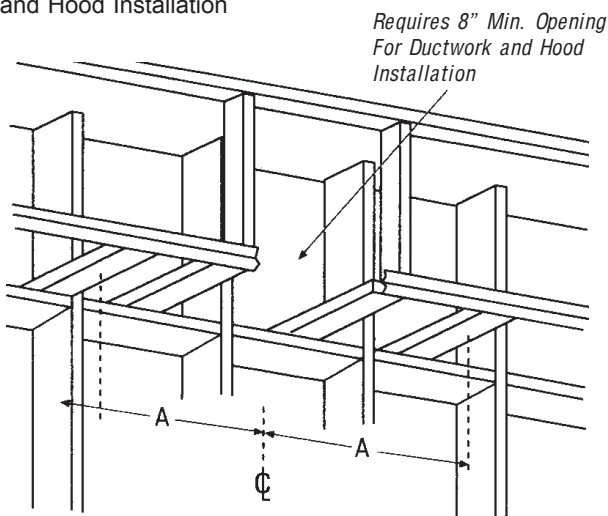
STEP 3B: ALTERNATE MOUNTING METHOD

INSTALL HOOD TO SOFFIT OR BENEATH CABINETS

SKIP THIS STEP IF USING WALL MOUNTING METHOD

When necessary, the hood may be installed so that it is supported by the soffit.

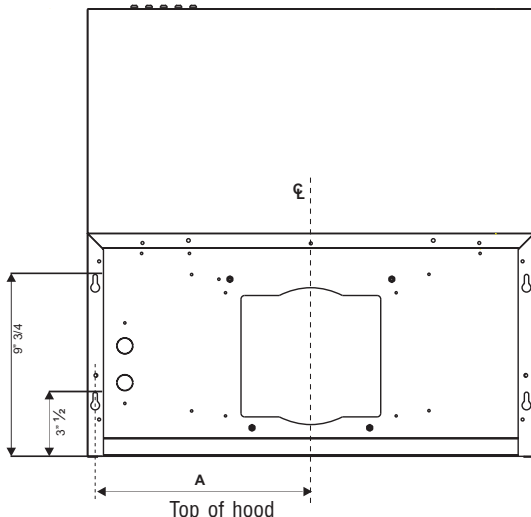
- The soffit should be constructed with 2 x 4's.
- Determine the installation location on the wall.
- Continue the centerline forward on the bottom of the cabinet or soffit.
- If ducting vertically the opening above the hood should allow for the 8" round duct and clearance to slide the hood back against the wall. Requires 8" Min. Opening For Ductwork and Hood Installation



- The 2 x 4 studs must be located as shown in the chart, Dim. A. to accept mounting screws.

"A"
Centerline to Stud
and Keyhole Slots

PRO HOOD 24"	11 - 9/16"
PRO HOOD 30"	14 - 9/16"
PRO HOOD 36"	17 - 9/16"
PRO HOOD 48"	23 - 9/16"



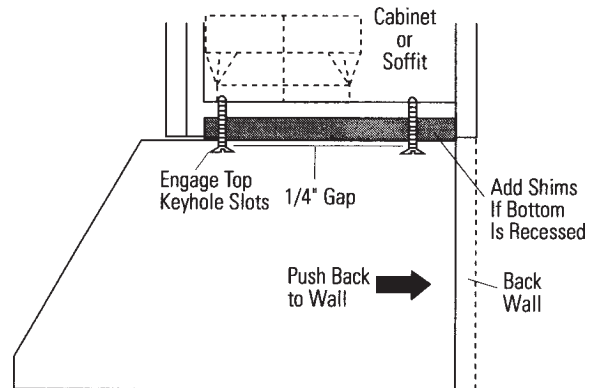
- Drill 1/8" pilot holes into the studs at the locations shown in the top view illustration.

- Affix enclosed paper template to wall

IMPORTANT: FRAMING MUST BE CAPABLE OF SUPPORTING UP TO 150 LBS

Mount Hood onto Soffit or Cabinet

Note: If mounting to the underside of a cabinet with a recessed bottom, install shims to fill the gap.



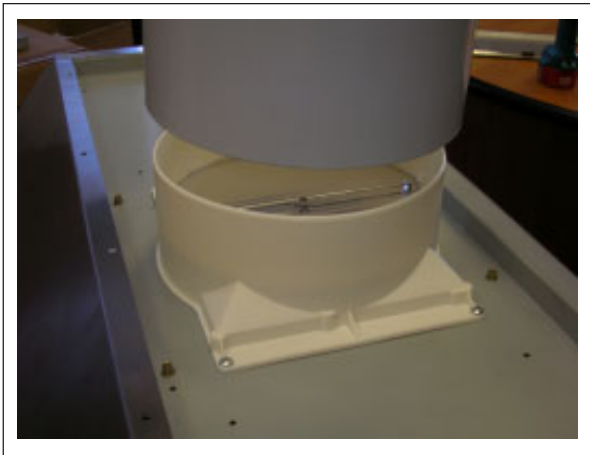
- Drive mounting screws into the studs until they protrude 1/4". The 1/4" gap will provide clearance to engage the keyhole slots in the top of the hood.
- Lift hood to installation position. Locate house wiring and route through the knockout (from the back or top of the hood).
- Lift hood onto mounting screws. Slide back against the rear wall.
- Tighten mounting screws.
- Add (2) security screws in top left and top right side of hood.

IMPORTANT: For additional support and to minimize vibration during operation, the hood must be secured to the back wall. Use wall anchors to fasten bottom back of hood to the wall.

EUROCHEF - PRO WALL HOOD

STEP 4: CONNECT DUCTWORK

- Install ductwork.
- Secure joints in ductwork and transition with sheetmetal screws and duct tape for an airtight seal.
- **ATTENTION:** Be sure that screws do not hamper the dampers movement.



STEP 5: CONNECT ELECTRICAL

Verify that power is turned off at the source.

WARNING

If house wiring is not 2-wire with a ground wire, a ground must be provided by the installer. When house wiring is aluminum, be sure to use U.L. approved anti-oxidant compound and aluminum-to-copper connectors.

ATTENTION

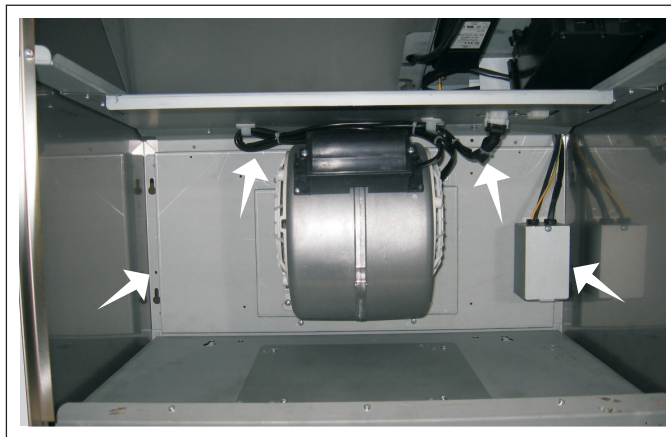
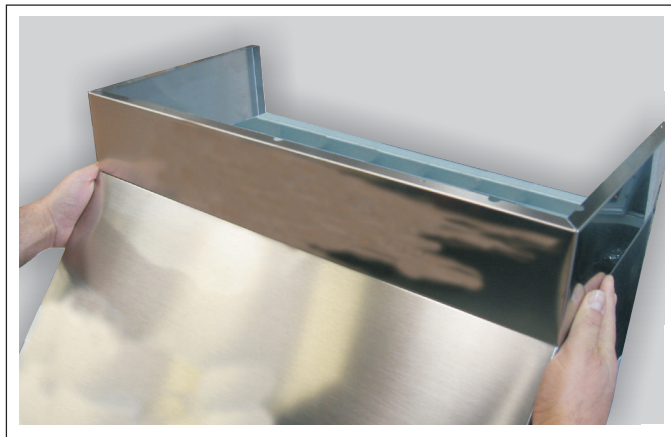
Si le câblage de la maison n'est pas du type a deux fils avec un fil de terre, l'installateur doit fournir un circuit de terre. Quand les fils de la maison sont en aluminium, il prendre soin d'utiliser de la pâte antioxydation approuvée par UL et des connecteurs pour l'aluminium-cuivre.

GREEN = GROUND
BLACK & BROWN = HOT
BLUE & WHITE = NEUTRAL



- Use wire nuts to connect incoming ground, neutral and hot.
- Push wires into junction box and replace cover. Be sure wires are not pinched.

STEP 6: INSTALL DUCT COVERS



ASSEMBLY AND INSTALLATION OF THE DUCT COVERS & RECIRCULATING KIT COVER

Optional duct covers shown in advance planning section may be used to fill the space between the hood and ceiling in wall mount installations. 6" and 12" high duct covers are available and may be ordered separately.

1. If multiple duct covers are used, connect the pieces together using sheetmetal screws provided with duct covers. Remove plastic film.
2. Attach the duct cover(s) to the hood using screws provided.
3. From inside of hood, insert screws supplied (3,5 x 9,5) through holes in front and side of hood into covers.

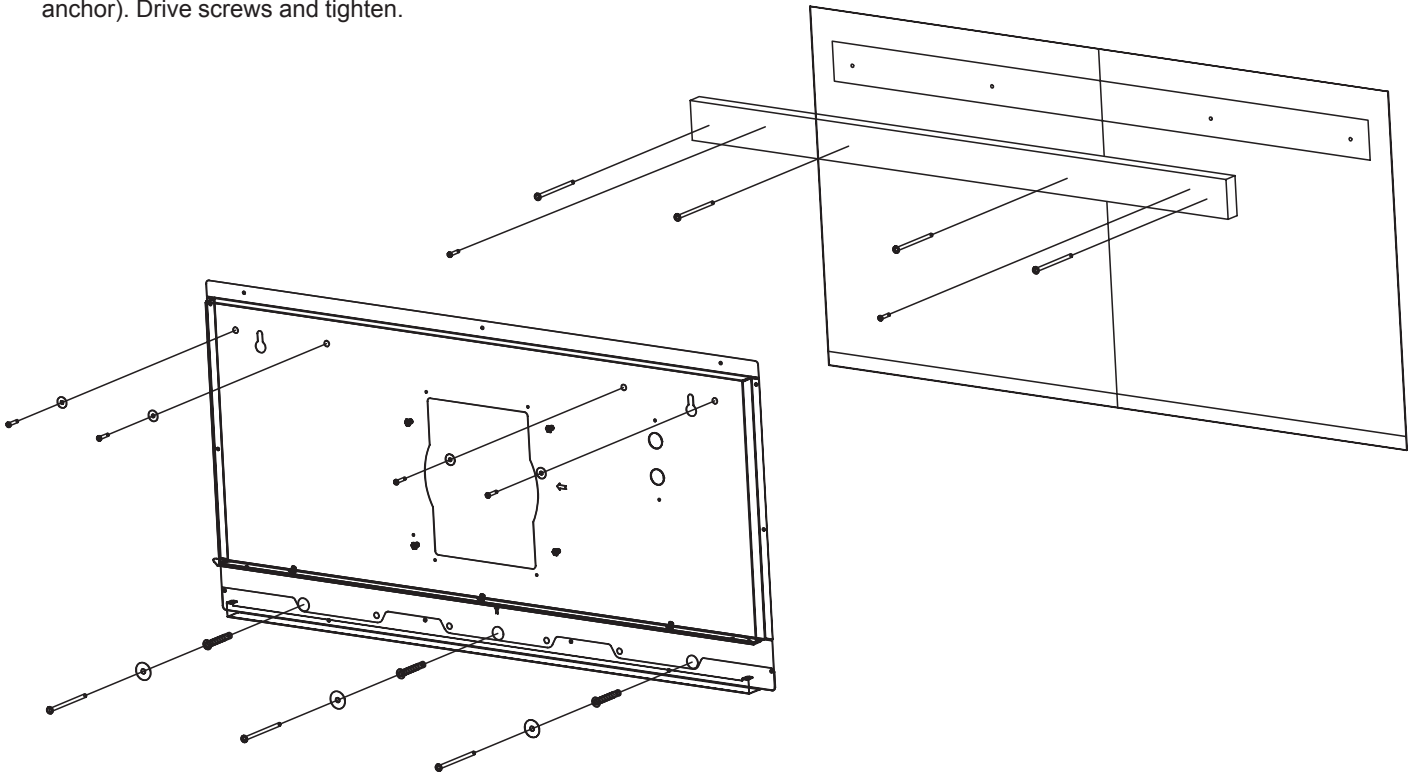
EUROCHEF - PRO WALL HOOD

STEP 7: TIGHTEN - HANGING SCREWS

- With Filter Frame still removed from Step 2
- Adjust hood up to eliminate any gaps at ceiling. Tighten hanging screws.
- Add (2) more security screws + Washers at wood bracket.
- **IMPORTANT:** If Installing optional Backsplash Kit install this kit **BEFORE** installing wall anchors (see instruction with kit)

Install Bottom Wall Anchors

- Drill 1/8" pilot holes into the two lower mounting holes. Enlarge the holes if they did not enter studs to 3/8".
- Install (2) or (3) wall anchors at bottom of hood.
- Remove anchor screws and add a flat washer provided. Drive screws into anchors and tighten.
- If a Wood Stud was discovered at wall anchor locations use 80mm Wood Screw supplied with Washer (instead of Wall anchor). Drive screws and tighten.



STEP 8: RE-INSTALL THE FILTER FRAME

- Use screws removed in Step 2 to re-install Filter Frame, per photograph.



EUROCHEF - PRO WALL HOOD

STEP 9: INSTALL FILTER



- Place filter drip trays into the bottom rear of the hood.
- Insert top of grease filter first, then rotate bottom filter and drop into grease tray.
- To remove the filters, grasp the handle, push the filter up and lift out.



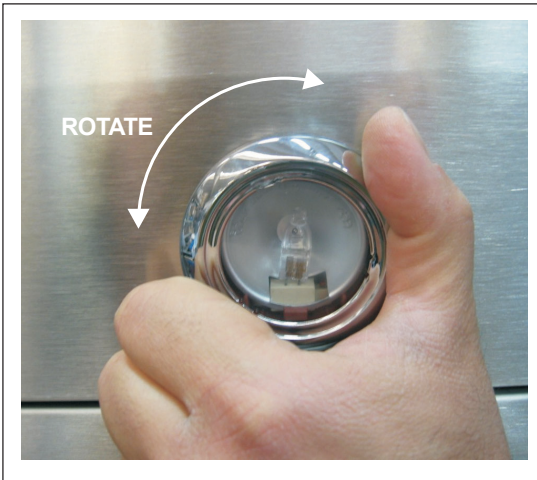
STEP 10: TEST FUNCTION OF HOOD

- Blower
- Light

EUROCHEF - PRO WALL HOOD

CARE AND USE

REPLACING HALOGEN BULB



- After waiting for lamp to be cool, twist off lamp bezel as shown, and pull out bulb.
- Replace bulb with 20W G4 base halogen bulb purchased at your local hardware store.
- Follow instructions on the bulb. Do not touch the bulb with your bare fingers.
- Reinstall lamp bezel

CLEANING FILTERS

Clean grease trays and baffle filters regularly, at least once every 3 months.

Filters and tray are dishwasher safe.

CLEANING HOOD

Do not use abrasive products


Wipe the outside of stainless steel with sudsy water or household cleaners such as Fantastic or Formula 409. Rinse well and dry with soft cloth.

OPERATION

Press any speed to turn hood on. Press same button to turn hood off. Active speed is shown by a button back light.



CONTROL:

1. 1 Speed
 2. 2 Speed
 3. 3 Speed
 4. 4 Speed
-  Light

DELAYED SHUTOFF

By pressing down on any speed key for 2 seconds, while hood is running the 15 minute Delayed Shutoff mode will start indicated by flashing backlight. After 15 minutes the hood will shutoff.

WARRANTY:

Eurochef USA warrants the USA Pro Hood against defects in materials or workmanship for 1 year from date of purchase.

EUROCHEF U.S.A.

41 MERCEDES WAY SUITE 25
EDGEWOOD, NEW YORK 11717
TEL. 866-844-6566

WWW.DELONGHIMAJORAPPLIANCES.COM
WWW.DELONGHIRANGES.COM

EUROCHEF U.S.A.

41 MERCEDES WAY SUITE 25 EDGEWOOD NEW YORK 11717 – TEL. 866-844-6566

WWW.DELONGHIMAJORAPPLIANCES.COM

WWW.DELONGHIRANGES.COM

Free Manuals Download Website

<http://myh66.com>

<http://usermanuals.us>

<http://www.somanuals.com>

<http://www.4manuals.cc>

<http://www.manual-lib.com>

<http://www.404manual.com>

<http://www.luxmanual.com>

<http://aubethermostatmanual.com>

Golf course search by state

<http://golfingnear.com>

Email search by domain

<http://emailbydomain.com>

Auto manuals search

<http://auto.somanuals.com>

TV manuals search

<http://tv.somanuals.com>