



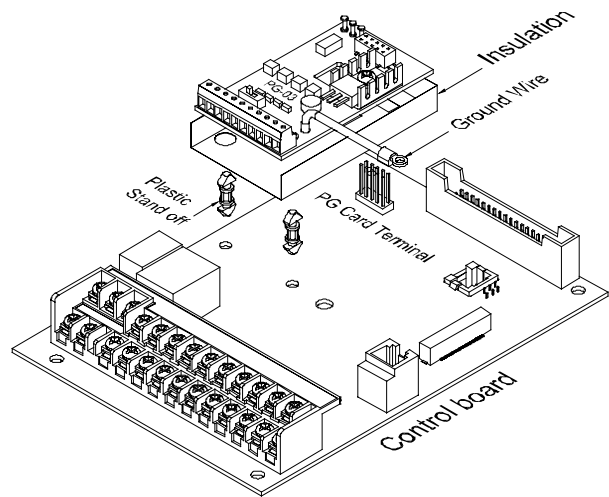
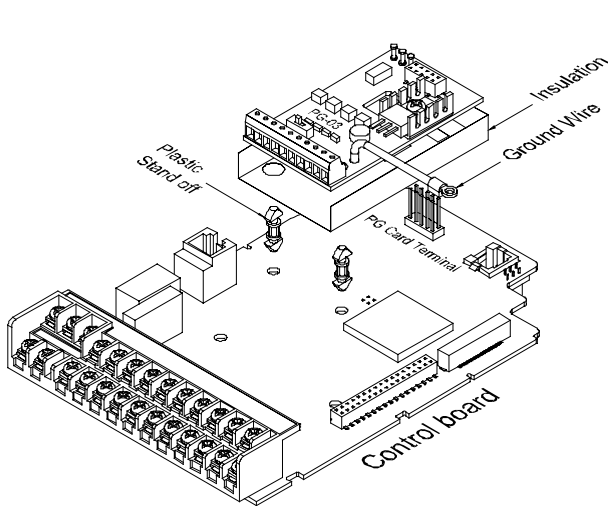
# PG-03 Pulse Generator Card for VFD-B/VFD-V Series

## Installation Instruction

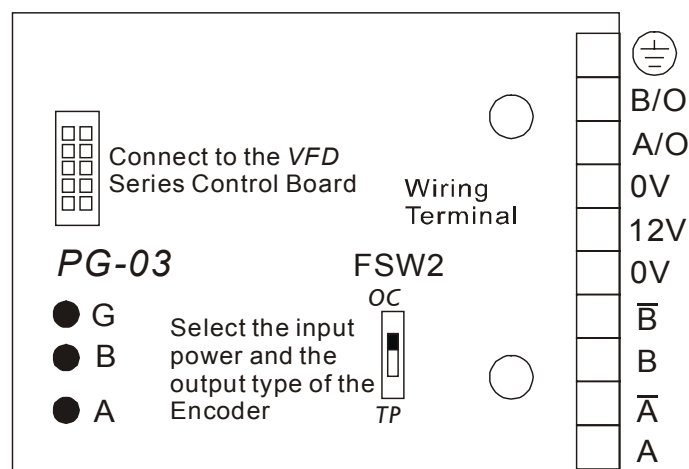
### Installation

1 to 5HP (0.75kW to 3.7kW)

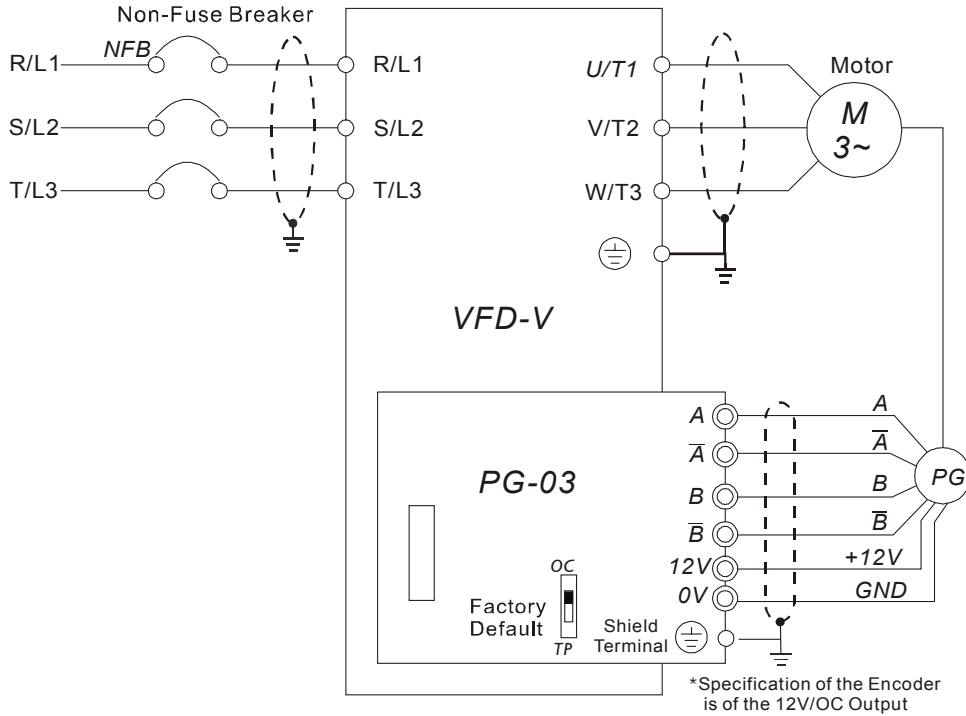
7.5HP (5.5kW) and above



### Exterior of PG-03

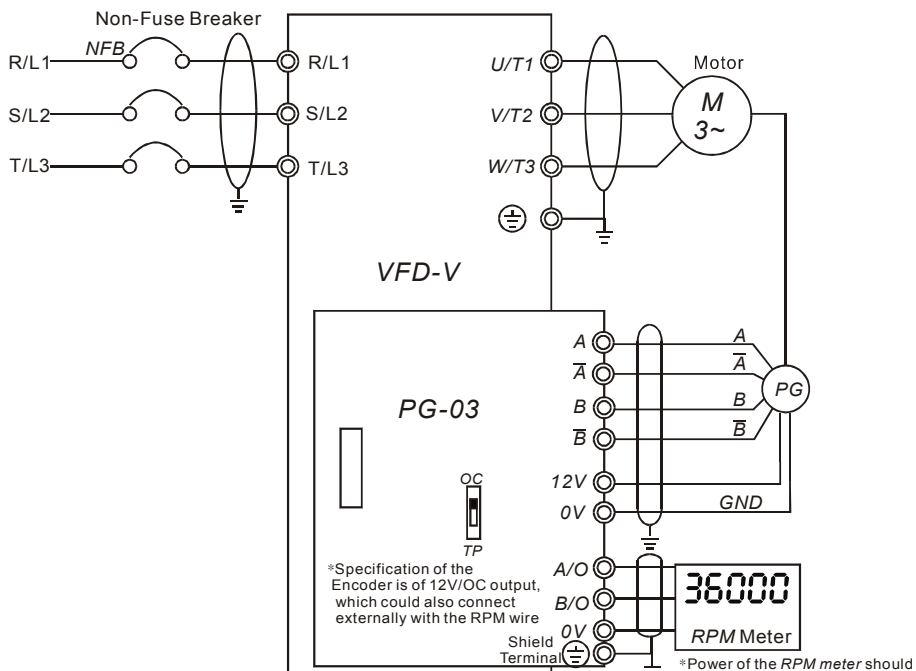


# Wiring Diagram



Connection between PG-03 and the Encoder

Connect Externally with the Encoder of 12V Power Supply and Output Signals to Additional Tachometer




Connection between PG-03 and the Encoder


### 3

## PG-03 Terminal Descriptions

### Terminals

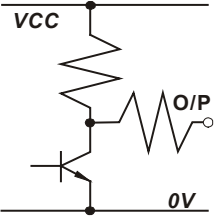

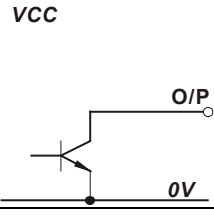

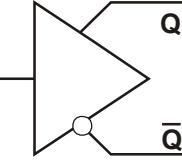

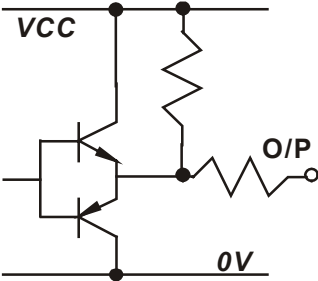

Terminal Symbols	Descriptions
+12V	Power Supply of the Encoder: +12V Output Voltage: +12V±5% 200mA
0V	Common point for the power supply and the signal
A, $\bar{A}$ , B, $\bar{B}$	Encoder signal input (select the output type of the Encoder from FSW2) Both single-phase input and two-phase input available Maximum: 500KP/Sec
A/O, B/O	The Encoder signal output Maximum: DC24V 50mA
	Common point for signal grounding

### Wiring Notes

1. Please use a shield cable to prevent interference. Do not run control wire parallel to any high voltage AC power line (220 V and up).
2. Connect shielded wire to  E only.
3. Recommended wire size 0.21 to 0.81mm<sup>2</sup> (AWG24 to AWG18).
4. Wire length:

The Output Types of the Encoder	Maximum Wire Length	Wire Gauge
Output Voltage	50m	1.25mm <sup>2</sup> (AWG16) or above
Open Collector	50m	
Line Driver	300m	
Complementary	70m	

## The Output Types to Accommodate the Encoder

Output Types of the Encoder		F5W2 switch
Output Voltage		
Open Collector		
Line Driver		
Complimentary		

### ASIA

**DELTA ELECTRONICS, INC.**  
**TAOYUAN Plant/**  
 31-1, SHIEN PAN ROAD,  
 KUEI SAN INDUSTRIAL ZONE  
 TAOYUAN 333, TAIWAN  
 TEL: 886-3-362-6301  
 FAX: 886-3-362-7267

### NORTH/SOUTH AMERICA

**DELTA PRODUCTS**  
**CORPORATION**  
**Sales Office/**  
 P.O. BOX 12173  
 5101 DAVIS DRIVE  
 RTP, NC 27709 U. S. A.  
 TEL: 1-919-767-3813  
 FAX: 1-919-767-3969

### EUROPE

**DELTRONICS (Netherlands) B.V.**  
**Sales Office/**  
 Industriegebied Venlo Nr. 9031  
 Columbusweg 20  
 NL-5928 LC Venlo  
 The Netherlands  
 TEL: 31-77-324-1930  
 FAX: 31-77-324-1931

## Free Manuals Download Website

<http://myh66.com>

<http://usermanuals.us>

<http://www.somanuals.com>

<http://www.4manuals.cc>

<http://www.manual-lib.com>

<http://www.404manual.com>

<http://www.luxmanual.com>

<http://aubethermostatmanual.com>

Golf course search by state

<http://golfingnear.com>

Email search by domain

<http://emailbydomain.com>

Auto manuals search

<http://auto.somanuals.com>

TV manuals search

<http://tv.somanuals.com>