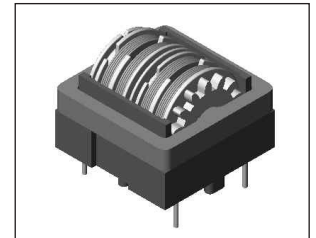
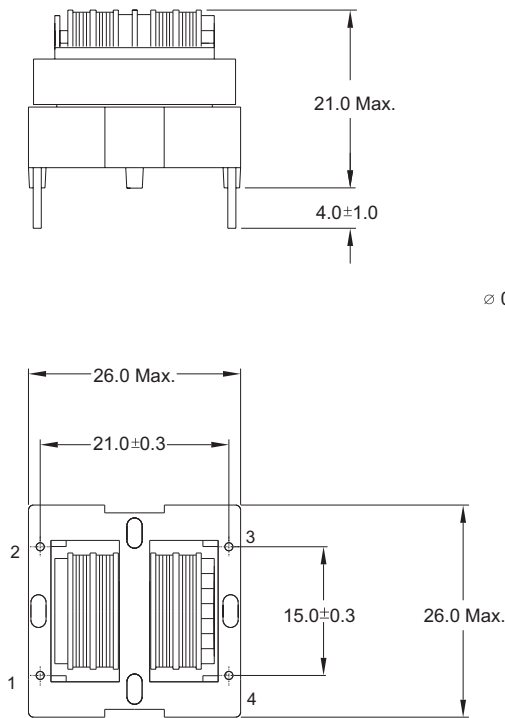


Common Chokes

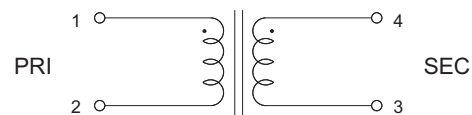
EMI Common-Mode Suppression Inductors

LFZ24H Type

Mechanical Dimension: Unit: mm



Schematic :



Electrical Characteristics:

■ AT 25°C, 40KHz/1V Tested:

PART NO.	INDUCTANCE (mH) MIN	DCR (mΩ) MAX	RATED CURRENT (Aac)	TEMPERATURE RISE (°C) MAX
LFZ24H01	62.0	2015	0.30	45
LFZ24H02	54.0	1815	0.40	45
LFZ24H03	43.0	1390	0.50	45
LFZ24H04	27.0	930	0.60	45
LFZ24H05	17.0	550	0.90	45
LFZ24H06	14.0	490	1.0	45
LFZ24H07	11.0	360	1.1	45
LFZ24H08	7.8	250	1.4	45
LFZ24H09	6.4	220	1.5	45
LFZ24H10	4.8	155	1.8	45
LFZ24H11	3.5	115	2.0	45
LFZ24H12	2.3	87	2.4	45

* WITHSTANDING VOLTAGE BETWEEN L1 & L2 1.5KV 1 MINUTE
* GOOD DIFFERENCE IN WINDING L1 & L2 INDUCTANCE



DELTA ELECTRONICS, INC.

(TAOYUAN PLANT CPBG) 252, SAN YING ROAD, KUEISAN INDUSTRIAL ZONE, TAOYUAN SHIEN, 333, TAIWAN, R.O.C.

TEL: 886-3-3591968; FAX: 886-3-3591991

<http://www.deltaww.com>

Free Manuals Download Website

<http://myh66.com>

<http://usermanuals.us>

<http://www.somanuals.com>

<http://www.4manuals.cc>

<http://www.manual-lib.com>

<http://www.404manual.com>

<http://www.luxmanual.com>

<http://aubethermostatmanual.com>

Golf course search by state

<http://golfingnear.com>

Email search by domain

<http://emailbydomain.com>

Auto manuals search

<http://auto.somanuals.com>

TV manuals search

<http://tv.somanuals.com>