

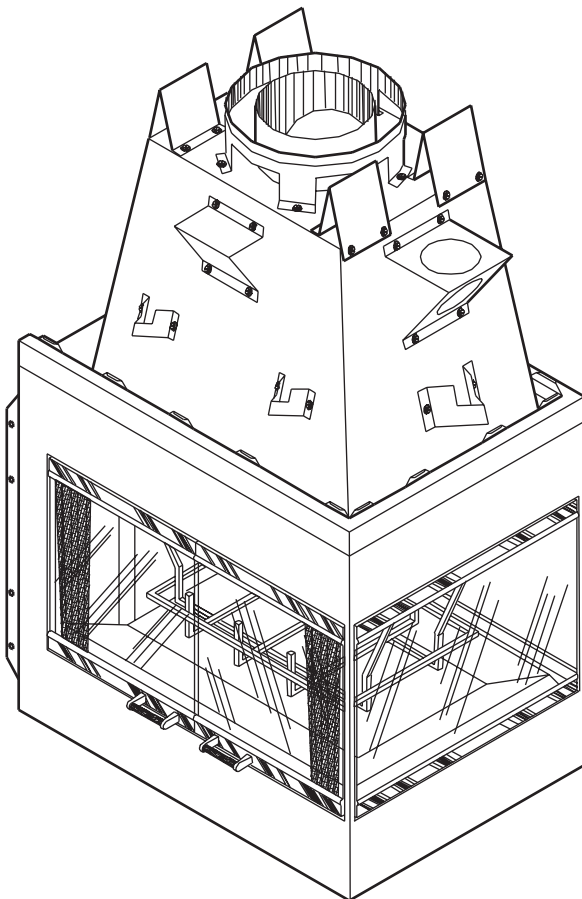
VANGUARD®

**PENINSULA
MODEL VPN36
3-SIDED, WOODBURNING FIREBOX**

INSTALLATION AND OPERATING INSTRUCTIONS

SAVE THIS BOOK

This book is valuable. In addition to instructing you on how to install and maintain your appliance, it also contains information that will enable you to obtain replacement parts or optional accessory items when needed. Keep it with your other important papers.



FOR YOUR SAFETY

- Do not store or use gasoline or any other flammable vapors or liquids in the vicinity of this or any other appliance.
- Due to high temperatures, the appliance should be located out of traffic and away from furniture and draperies.
- Do not place clothing or other flammable materials on or near the appliance.
- NEVER leave children unattended when a fire is burning in the firebox.

WARNING: IMPROPER INSTALLATION, ADJUSTMENT, ALTERATION, SERVICE OR MAINTENANCE CAN CAUSE INJURY, PROPERTY DAMAGE, OR LOSS OF LIFE. REFER TO THIS MANUAL. FOR ASSISTANCE OR ADDITIONAL INFORMATION CONSULT A QUALIFIED INSTALLER OR LOCAL DISTRIBUTOR.

WARNING: THIS FIREBOX IS INTENDED FOR USE WITH WOOD, OR IF A VENT-FREE OR DECORATIVE GAS APPLIANCE IS INSTALLED, BURN PROPANE/LP OR NATURAL GAS ONLY.

CHECK LOCAL CODES PRIOR TO INSTALLATION



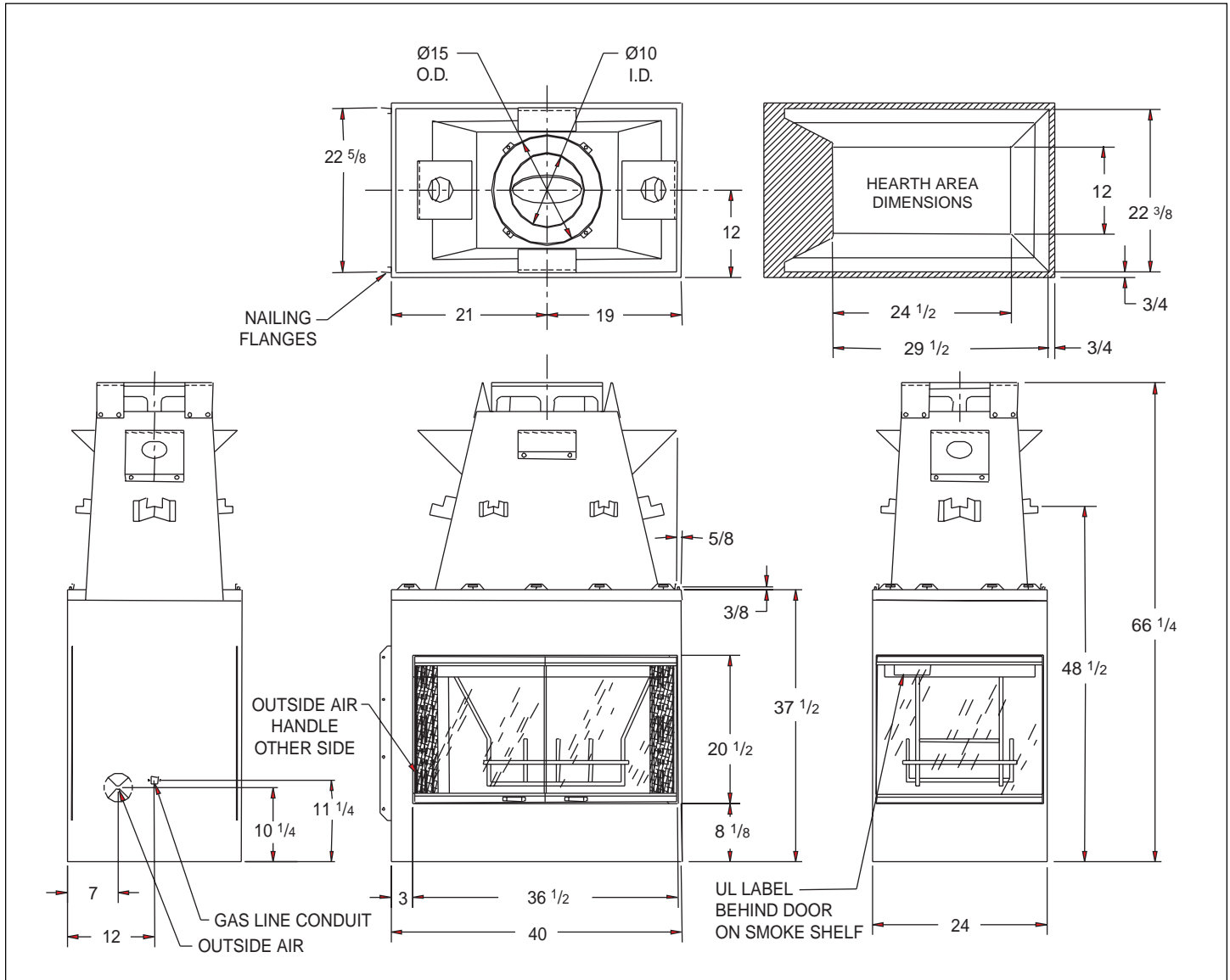
DESA INTERNATIONAL,
2701 INDUSTRIAL DRIVE
P.O. BOX 90004
BOWLING GREEN, KY
42102-9004

Model _____
Serial No. _____
Date Purchased _____

55505
Rev. B
07/99

CONTENTS

<p>1. INTRODUCTION PG. 3</p> <p>2. SELECTING LOCATION PG. 3</p> <p>3. CLEARANCES PG. 4</p> <p>4. FRAMING PG. 4</p> <p>5. HEARTH EXTENSIONS PG. 5</p> <p>6. OUTSIDE AIR KIT INSTALLATION PG. 6</p> <p>7. GAS LINE INSTALLATION PG. 6</p>	<p>8. CHIMNEY PIPE INSTALLATION PG. 7</p> <p>9. FINISHING YOUR CHIMNEY SYSTEM PG. 9</p> <p>10. TERMINATIONS PG. 11</p> <p>11. FINISHING YOUR FIREBOX PG. 12</p> <p>12. OPERATING GUIDELINES AND MAINTENANCE INSTRUCTIONS PG. 13</p> <p>13. REPLACEMENT & ACCESSORY PARTS ... PG. 14</p>
---	---



NOTE: ALL DIMENSIONS IN THIS INSTALLATION MANUAL ARE IN INCHES UNLESS OTHERWISE SPECIFIED.

INTRODUCTION

Model VPN36 series is a woodburning firebox intended and approved for installation in either residential homes or buildings of standard construction.

This wood burning fireplace complies with **UL 127** as a **FACTORY BUILT FIREPLACE** and is listed and tested by **Underwriters Laboratory Inc.**

This model is not for use in mobile homes.

This firebox system requires the utilization of a **Vanguard 10" double-wall, snap-lock flue pipe system.**

BRUSHED BRASS GLASS DOORS are standard with this firebox. Different style doors are offered as optional accessories (see last page).

BE SURE TO CHECK WITH YOUR LOCAL BUILDING CODES FOR AREA REQUIREMENTS BEFORE INSTALLING THIS FIREBOX.

The model's serial number and any other specific rating information may be found on the unit in the **UL RATING PLATE** located at the interior of the firebox's opening (see Figure 1, page 2).

BEFORE YOU BEGIN

Before beginning the installation of your firebox, read these instructions through completely.

This firebox and its approved components are safe when installed and operated according to this installation and operation manual. Unless you use Vanguard approved components tested for this firebox, **YOU MAY CAUSE A FIRE HAZARD!**

The DESA International warranty will be voided by, and DESA International disclaims any responsibility for the following actions:

- A) Modification of the firebox or any of the components manufactured by DESA INTERNATIONAL unless otherwise permitted by DESA INTERNATIONAL.
- B) The use of a firebox insert or any other component part not approved by DESA INTERNATIONAL in combination with a DESA INTERNATIONAL firebox.
- C) Installation and/or operation in a manner other than instructed in this manual.
- D) The burning of any other fuel not tested or approved by DESA INTERNATIONAL in this wood-burning firebox.

PROPER INSTALLATION is the most important step in ensuring a safe and continuous operation of this firebox.

Although grounding may not be required by code in your area, it must be electrically grounded in accordance with local codes or, in the absence of local codes, with the **National Electrical Code, ANS/NFPA 70-1987.**

This firebox is intended for installation in accordance with the **National Fire Protection Association** Standard for Chimneys, Fireplaces, Vents, and Solid-Fuel Burning Fireplaces, NFPA 211, and in accordance with codes such as the **BOCA Basic/National Code, the Standard Mechanical Code,** and the **Uniform Building Code.**

NOTE: Installation and repair should be done by a qualified installer. The firebox and chimney system should be inspected and cleaned before use and periodically thereafter especially during heating season to ensure a safe operating system.

This firebox is not intended to be used as a substitute for a furnace to heat an entire home. Use for supplementary heating only.

SELECTING LOCATION

To determine the safest and most efficient location for your firebox, you must take into consideration the following guidelines:

1. The location must allow for all the proper clearances (see section on clearances, page 4).
2. Consider a location where the heat output would not be affected by drafts, air conditioning ducts, windows or doors.
3. A location that avoids the cutting of joists or roof rafters will make installation easier.
4. If an outside air kit is to be installed, accessibility to outside combustion air must be considered. This can also be achieved through a vented crawl space in some cases, for more details refer to section on outside air kit installation.

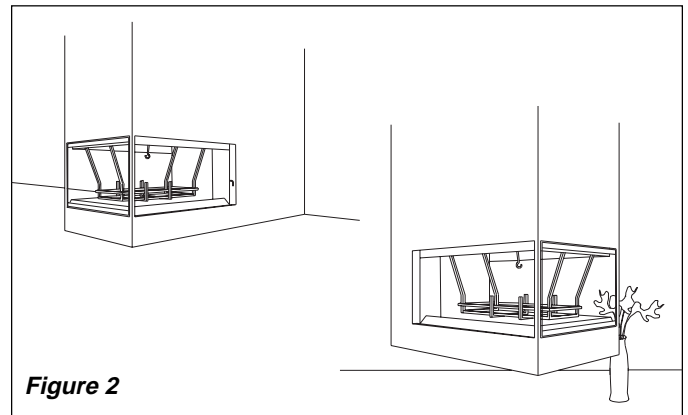


Figure 2

The typical installation for a peninsula is a **projected installation**, which allows you to extend the firebox any distance into the room. A projection may be ideal for a new addition on an existing, finished wall.

ALSO IN SELECTING A LOCATION, THE FOLLOWING PRECAUTIONS MUST BE OBSERVED;

1. Do not connect this firebox to a chimney system other than a Vanguard chimney system.
2. Install in an area providing ventilation and adequate combustion air.
3. Due to high temperatures do not locate this firebox in high traffic areas or near furniture and draperies.
4. Provide adequate clearances around air openings into the combustion chamber. **NEVER** obstruct the front opening of the firebox or the flow of combustion and ventilation air.
5. Do not locate in or near an area where gasoline or other flammable liquids may be stored. The firebox area must be kept clear and free from these combustible materials.

CLEARANCES

MINIMUM CLEARANCES TO COMBUSTIBLES ARE:

- BACK 1/2" MIN.
- ADJACENT WALL 12" MIN.
- CHIMNEY OUTER PIPE SURFACES 2" MIN.
- BOTTOM OF FIREBOX TO FLOOR 0" MIN.

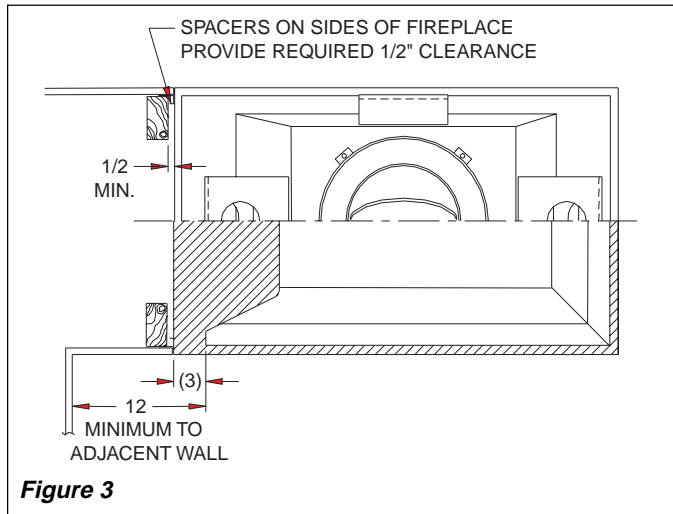


Figure 3

WARNING: DO NOT BLOCK REQUIRED AIR SPACES WITH INSULATION OR ANY OTHER MATERIAL. DO NOT OBSTRUCT EFFECTIVE OPENING OF FIREBOX WITH ANY TYPE OF FACING MATERIAL. COMBUSTIBLE MATERIAL MUST NOT BE IN CONTACT WITH THE BLACK FRONT FACE OF THE FIREBOX.

MANTEL CLEARANCES

Woodwork, such as wood trims, mantels, and other combustible materials, should not be placed within 9 inches of the effective opening of this firebox.

The effective opening is considered the opening where actual heat output may occur.

Combustible material above and projecting more than 1 1/2 inches from the front face of firebox (see Figure 4) should not be placed less than 12 inches from the **effective opening** of the firebox (ref; NFPA std. 7-3.3.3.).

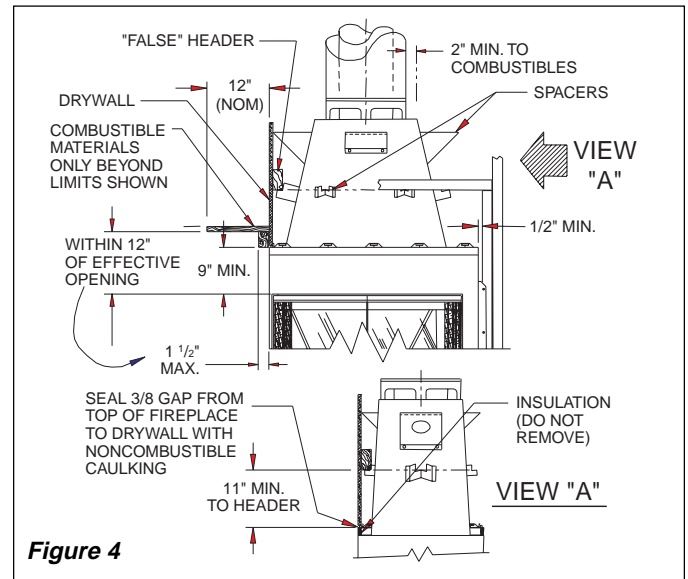


Figure 4

FRAMING

Construct framing using dimensions shown in Figures 5, 7, and 8, page 5, depending on your particular installation.

If the firebox is to be installed directly on carpeting, tile (other than ceramic), or any combustible material other than wood flooring; the firebox must be installed upon a metal or wood panel extending the full width and depth of the firebox.

Before securing firebox to prepared framing, **metal safety strips** (provided) must be placed between **hearth extensions** (not supplied) and bottom front edge of firebox to protect against glowing embers (Figure 6, page 5).

If the firebox is to be installed on a raised platform, a "**Z-type**" **metal safety shield** (not supplied) must be fabricated to fit your required platform height (see Figure 7, page 5). The shield must be made of (26-28ga) galvanized sheet metal to prevent corrosion.

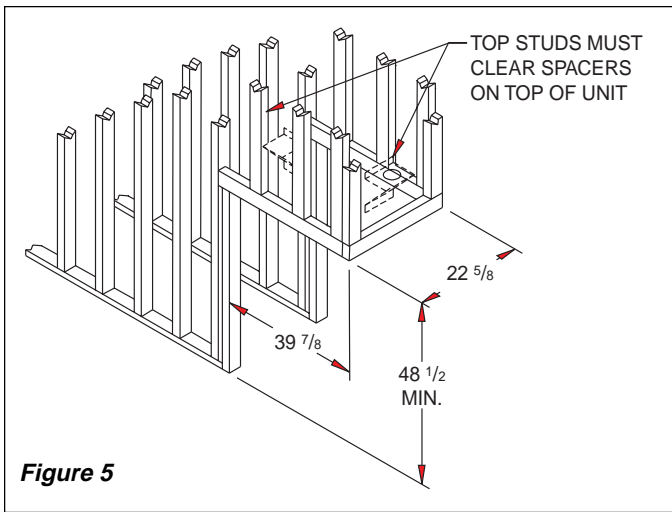


Figure 5

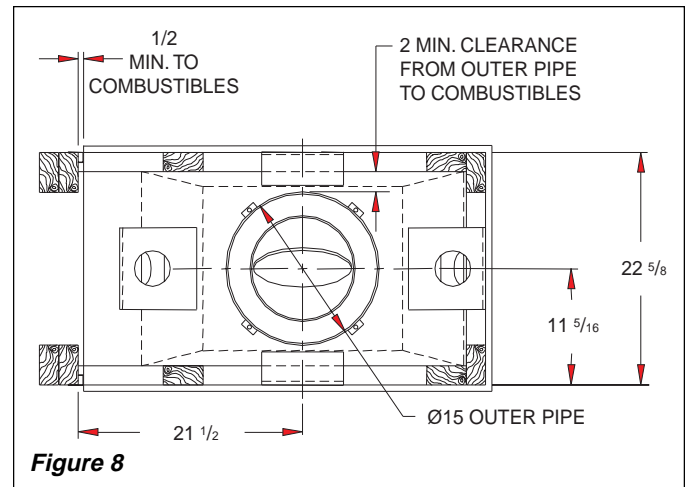


Figure 8

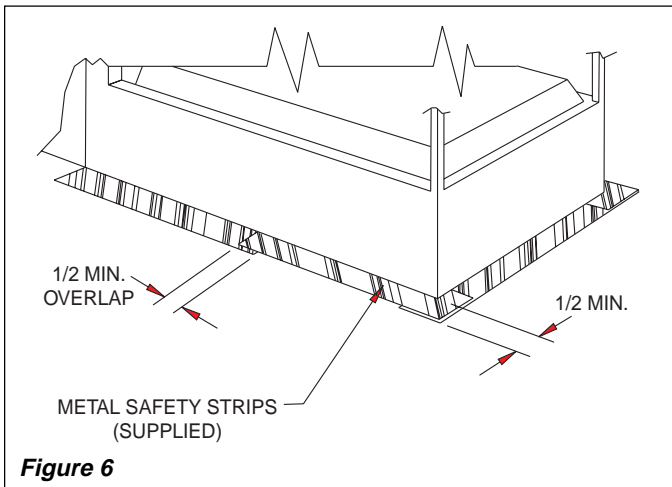


Figure 6

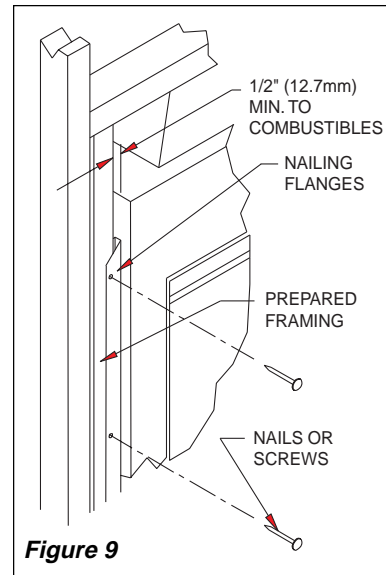


Figure 9

Proceed to secure firebox to prepared framing at nailing flanges located at the sides of the firebox as shown in Figure 9.

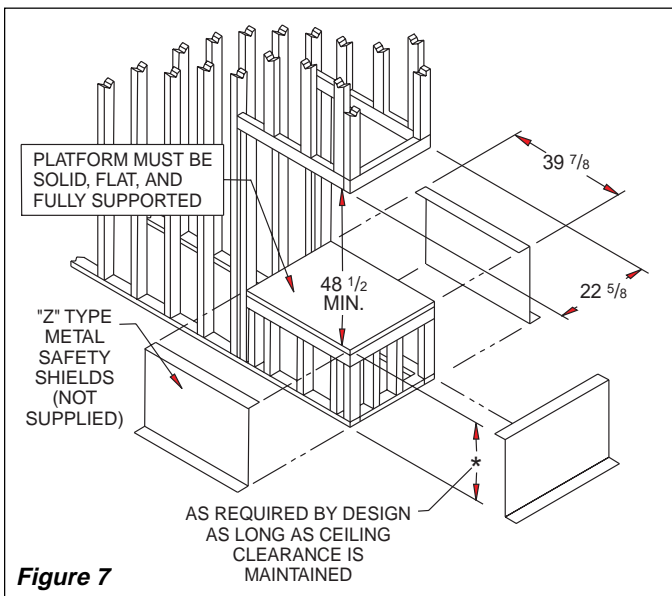


Figure 7

HEARTH EXTENSIONS

A hearth extension is required to protect combustible floor surrounding firebox. You may fabricate your own per the dimensions shown in Figure 10, page 6.

The hearth extension must project 20 in. min. to the front and 12 in. min. beyond each side of the firebox opening except on the end where projection is 16 in. min. to the front and 20 in. to the sides (see Figure 10, page 6).

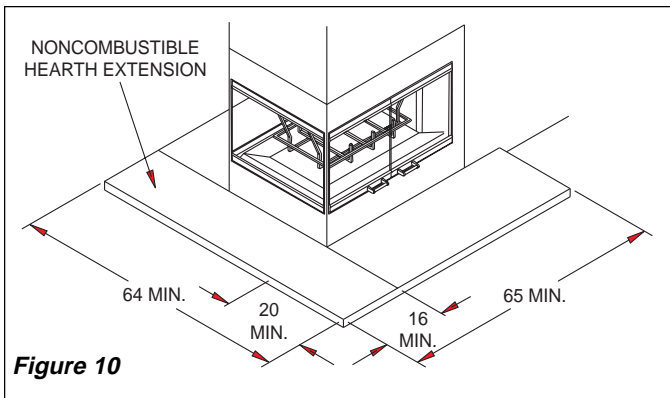


Figure 10

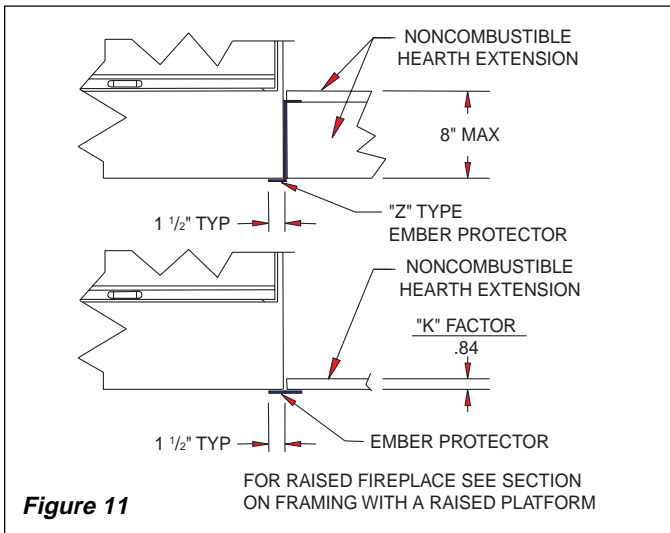


Figure 11

FOR RAISED FIREPLACE SEE SECTION ON FRAMING WITH A RAISED PLATFORM

If a hearth extension is to be field constructed, it must be made of **noncombustible, inorganic material having an effective thermal conductivity "K" of .84 BTU In/Ft 2 Hr. F or less at 1" thickness.**

Thermal conductivity "K" of materials can be obtained from the manufacturer.

The minimum required thickness for any material could be obtained by the following formula:

$$\frac{\mathbf{K\ factor \times 1''}}{.84} = \mathbf{Thickness\ required}$$

If the hearth extension is to be raised, a **"Z" type metal safety strip must be used, see Figure 7, page 5 and Figure 11.**

OUTSIDE AIR KIT INSTALLATION

The installation of the outside air kit must be installed during the rough framing of the firebox due to the nature of its location. Outside combustion air can be accessed through an exterior wall or a vented crawl space (see Figure 12).

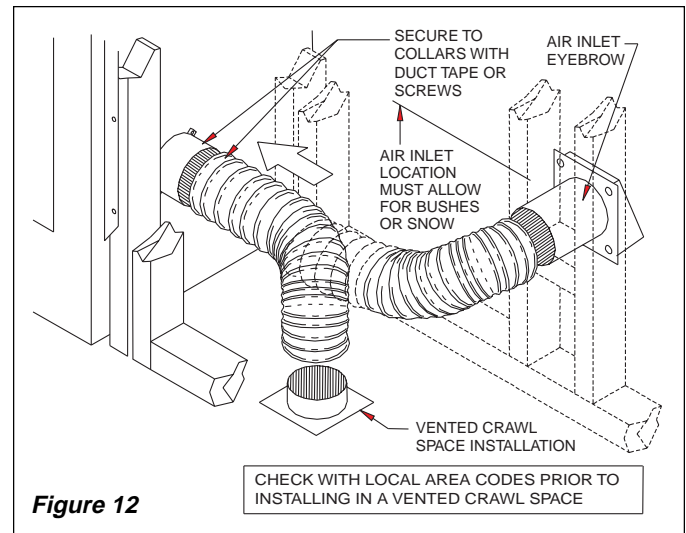


Figure 12

WARNING: AIR INLET DUCTS MUST NOT TERMINATE IN ATTIC SPACE.

Avoid installing outside air eyebrow in areas where inlet opening may be blocked by snow, bushes or other obstacles. It should also be located beyond the reach of small children.

The maximum height for the air inlet above platform of firebox is within 3 feet below the termination flue gas outlet.

For further details on the installation of the outside air kit, please refer to the instructions included with the kit. For operating instructions, please refer to your owner's manual.

GAS LINE INSTALLATION

YOUR GAS SUPPLIER OR A QUALIFIED SERVICE PERSON SHOULD DO GAS LINE HOOKUP.

WARNING: BEFORE YOU PROCEED, MAKE SURE YOUR GAS SUPPLY IS OFF!

A gas line may be installed for the purpose of installing a gas appliance available through your local distributor. Use only 1/2" black iron pipe and appropriate fittings. When installing a gas line, a shut-off valve designed for installation outside the firebox is recommended.

STEP 1: To install, remove the knockout indentation on the refractory (or firebrick) wall located approximately 2" above the refractory hearth floor. The knockout indentation must be firmly tapped with any solid object until it is released. Remove fragmented portion of refractory (see Figure 13, page 7).

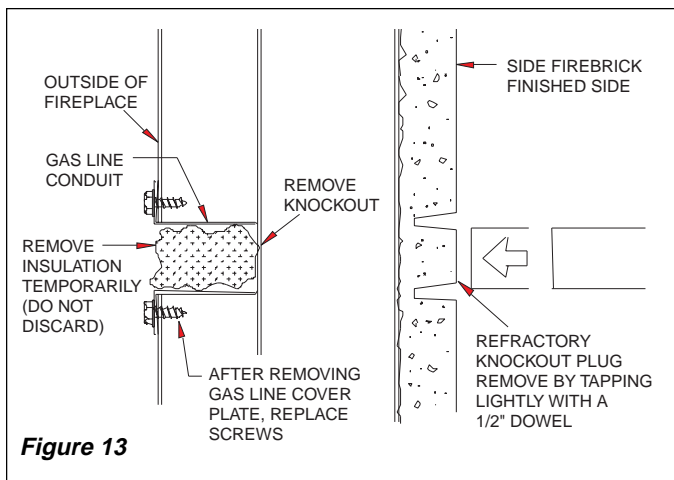


Figure 13

STEP 2: Remove gas line cover plate on rear of firebox and pull out insulation from gas line conduit sleeve, save insulation for reuse.

STEP 3: Run a 1/2" black iron gas line into the firebox through the rear at 11 1/4" from the floor and through gas line conduit sleeve (if using a raised platform. Add height). Provide sufficient gas line into firebox chamber for fitting connection (see Figure 14).

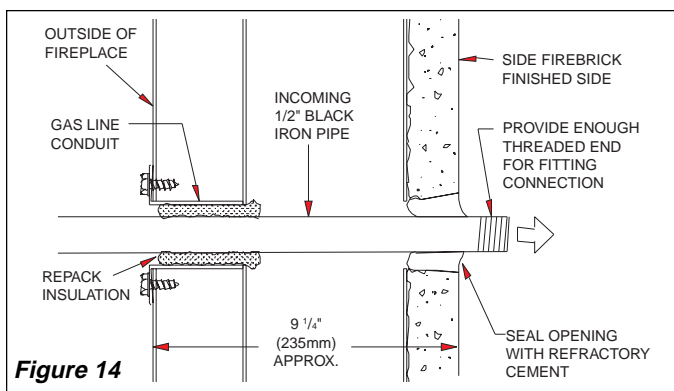


Figure 14

NOTE: Secure incoming line to wood framing to provide rigidity for threaded end.

STEP 4: Repack insulation around gas line and into sleeve openings. Seal any gaps between gas line and refractory knock out hole with refractory cement or commercial furnace cement. Install the decorative gas appliance or cap-off gas line if desired.

WARNING: All gas piping and connections must be tested for leaks after the installation is completed.

After ensuring that the gas valve is on, apply a soap and water solution to all connections and joints. If bubbles appear, leaks can be detected and corrected.

DO NOT USE AN OPEN FLAME FOR LEAK TESTING AND DO NOT OPERATE ANY APPLIANCE IF A LEAK IS DETECTED.

The gas pipe is intended for connection to an unvented gas log set or to a decorative gas appliance.

If you will install an unvented gas log set, **ONLY UNVENTED GAS LOG SETS WHICH HAVE BEEN FOUND TO COMPLY WITH THE STANDARD FOR UNVENTED ROOM HEATERS, ANS/IAS/AGA Z21.11.2, ARE TO BE INSTALLED IN THIS FIREPLACE.**

NOTE: An appropriate Vanguard hood must be installed when using an unvented gas log set.

WARNING: DO NOT OPERATE AN UNVENTED GAS LOG SET IN THIS FIREPLACE WITH THE CHIMNEY REMOVED.

If you will install a decorative gas appliance, the decorative gas appliance must comply with the **Standard for Decorative Gas Appliances for Installation in solid Fuel burning Fireplaces, ANS Z21.60-1996** and shall also be installed in accordance with the **National Fuel Gas code, ANS Z223.1-1996.**

WARNING: WHEN USING A DECORATIVE APPLIANCE, THE DAMPER MUST BE REMOVED OR PERMANENTLY LOCKED IN THE FULLY OPEN POSITION.

CHIMNEY PIPE INSTALLATION

The Vanguard chimney system is a snap-lock, double-wall pipe. It consists of a stainless steel inner flue pipe, a galvanized outer pipe, and a wire spacer.

Each section of pipe comes in lengths of 12", 18", 24", 36", and 48" but the actual lineal gain for each is measured after each section is fully connected.

Lineal gain is the actual measurable length of a part after two or more parts are connected.

LINEAL GAIN

PART # NO.	DESCRIPTION	GAIN (inches)
VPN36	PENINSULA FIREBOX	66 1/4"
V12-10DM	FLUE PIPE	10 3/8"
V18-10DM	FLUE PIPE	16 3/8"
V24-10DM	FLUE PIPE	23 3/8"
V36-10DM	FLUE PIPE	34 3/8"
V48-10DM	FLUE PIPE	46 3/8"
VETL-10DM	CHASE STYLE TERMINATION	7" to 17"
VRTL-10DM	ROUND TOP TERMINATION	6"

PIPE INSTALLATION

Place pipe assembly (inner and outer with wire spacer) over starting collar. **Inner pipe fits inside inner pipe, outer pipe fits outside outer pipe.**

Begin by aligning **hemmed-end** of inner flue pipe into the inner starting flue pipe of firebox. Push down until hem "snap-locks" with lances. The outer pipe is just the opposite; female end has the lances. Continue the same procedure for the outer pipe (see Figure 15, page 8).

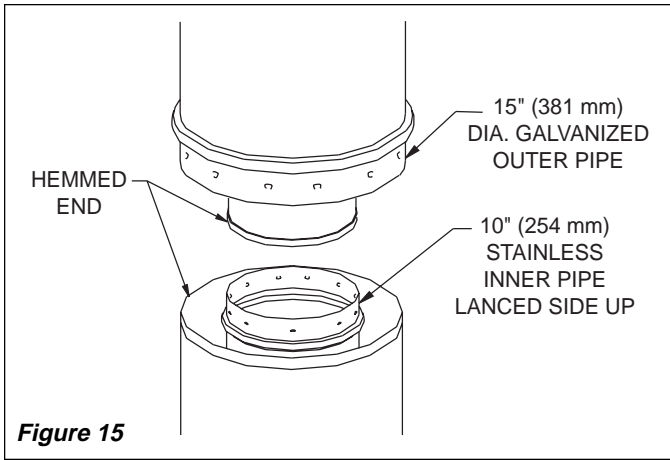


Figure 15

It is important to assure that the joint between the chimney sections is fully locked. Check by pulling chimney upward after locking.

The chimney should not come apart if properly locked. It is not necessary to add screws to keep vertical or angled chimney runs together.

WARNING: THE OPENINGS AROUND THE STARTING COLLAR ON TOP OF THE FIREBOX MUST NEVER BE OBSTRUCTED. NEVER USE BLOWN INSULATION TO FILL THE CHIMNEY ENCLOSURE.

FIREBOX SPACER

Firebox spacers are required at each point where the chimney penetrates a floor or ceiling, joist space. Their purpose is two fold; they establish and maintain the required clearance between the outer pipe and combustible materials, and they also serve as a shield between floors as required by most codes.

When the pipe passes through a framed opening into a living space above, a firestop must be placed on the ceiling below (Figure 16).

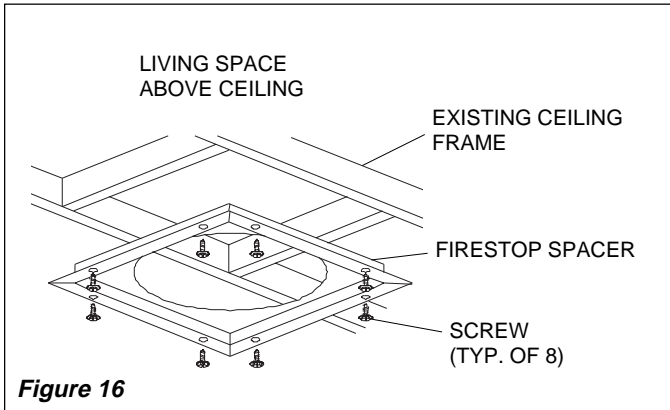


Figure 16

When the pipe passes through a framed opening into an attic space above, a firestop must be placed on the attic floor above (Figure 17).

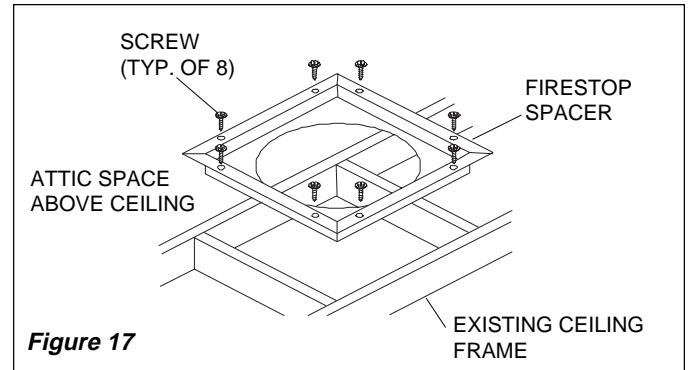


Figure 17

SUPPORT SECTIONS

The chimney support section is a 4 strap, 12-inch length of pipe. A chimney support is **required every 30 feet above the firebox after a straight chimney run, or above a return elbow** after a straight chimney run (Figure 18).

This support is designed to relieve the extra weight load on the firebox and elbows when high chimneys are installed.

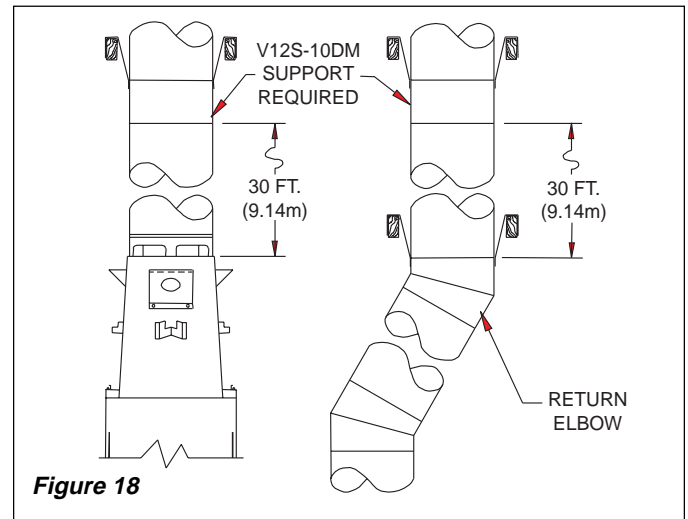


Figure 18

ELBOW OFFSET INSTALLATION

Chimney weight above offset rests on return elbow. Straps must be secured with nails to rafters or joists (see Figure 19).

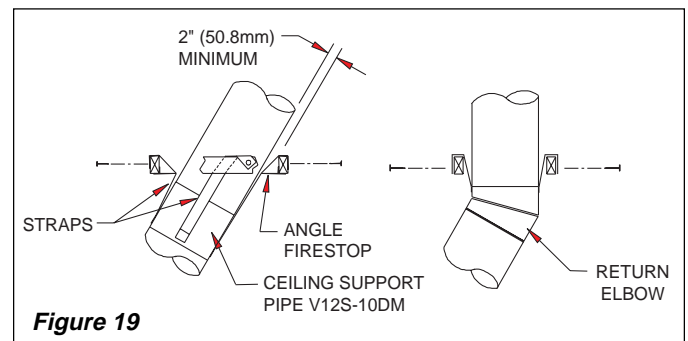


Figure 19

To achieve desired offset, you may install combinations of 12, 18, 36, or 48 inch lengths of double wall pipe (see Figure 20 and **Rise and Offset Chart**).

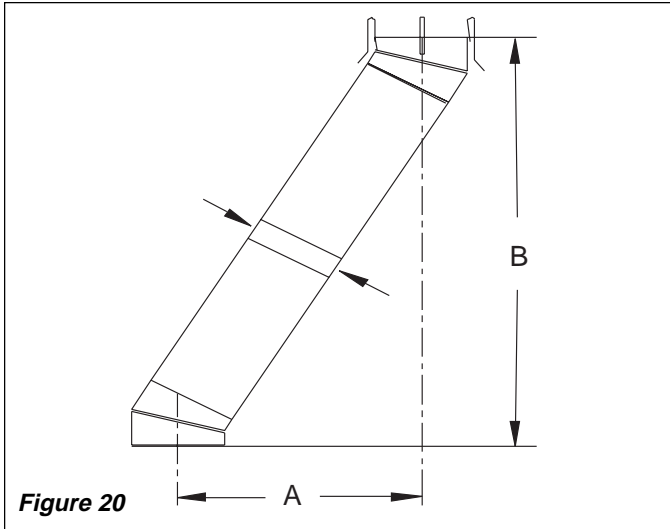


Figure 20

RISE AND OFFSETS					
A	B	48	36	18	12
4 ³ / ₈	16 ³ / ₈				
9 ¹ / ₂	25 ¹ / ₄				1
12 ¹ / ₂	30 ³ / ₈			1	
14 ³ / ₈	34				2
17 ⁵ / ₈	39 ¹ / ₄			1	1
21 ¹ / ₂	46		1		
22 ³ / ₄	48 ¹ / ₈			1	2
26 ³ / ₈	54 ⁷ / ₈	1			
26 ³ / ₈	60		1	1	
31 ³ / ₄	63 ³ / ₄	1			1
34 ³ / ₄	69	1		1	
38 ⁵ / ₈	75 ⁵ / ₈		2		
39 ⁷ / ₈	77 ⁷ / ₈	1		1	1
43 ³ / ₄	84 ¹ / ₂	1	1		
46 ³ / ₄	87 ³ / ₄		2	1	
48 ⁷ / ₈	93 ³ / ₈	2			

Maximum length of pipe between supports is **6 feet of angled run**. A maximum of **two 6 foot angled run sections per chimney system** (see Figure 21).

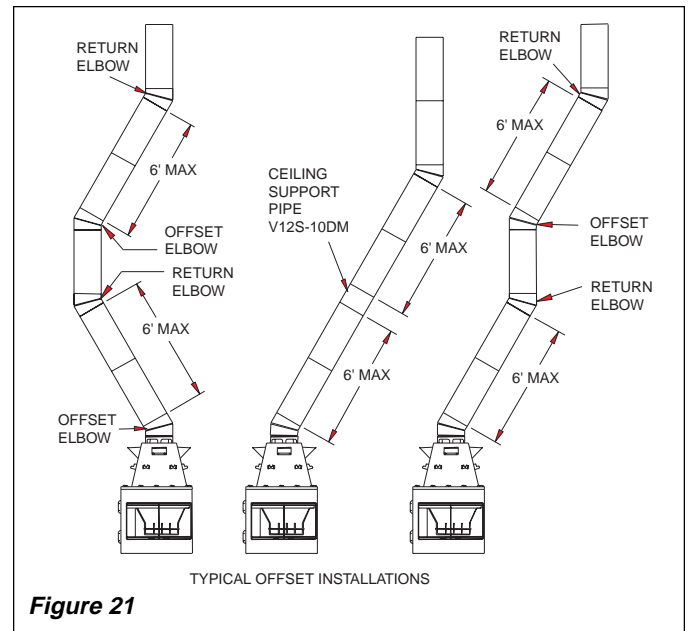


Figure 21

FINISHING YOUR CHIMNEY SYSTEM

10 FOOT RULE

All chimney termination must extend a minimum of 3 feet above the highest point where it passes through the roof and must be at least 2 feet above the roof within a 10 foot horizontal span (see Figure 22).

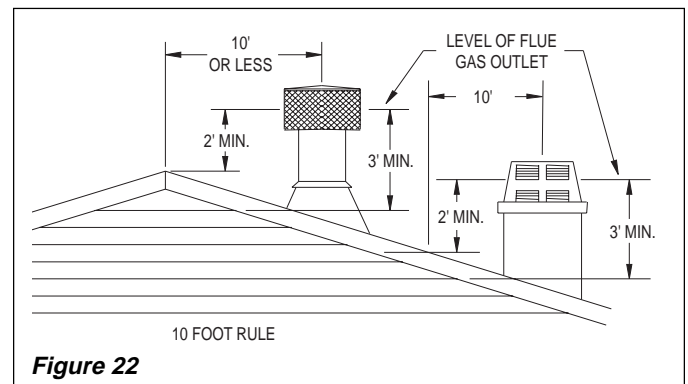


Figure 22

IMPORTANT: If an exposed portion of chimney is greater than 4 feet above the roof line, use support wires to keep chimney secure. The support wires may be attached to the outer pipe of the chimney with screws, provided the screws do not penetrate the inner flue pipe.

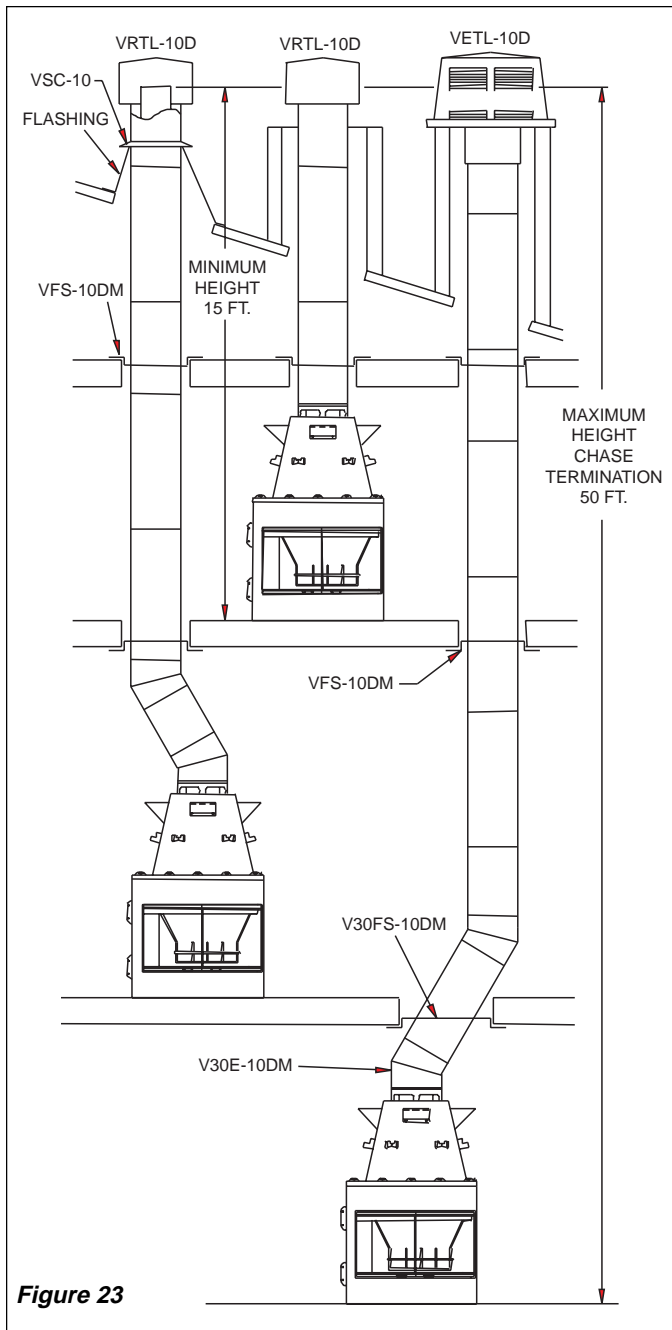


Figure 23

MINIMUM CHIMNEY HEIGHT

The minimum chimney height (measured from bottom of firebox to flue gas outlet-end of pipe) is **15 feet** for a straight run, **16 feet min.** for a run with **1 elbow set** (a set consists of one starter elbow and one return elbow).

Uncommon circumstances such as neighboring hills, tall trees, or strong wind areas can cause downdrafts in the chimney system. In such cases going beyond the minimum recommended height would be preferable to provide a better draw.

MAXIMUM CHIMNEY HEIGHT

The maximum height approved for any chimney run with this firebox system is 50 feet measured from bottom of firebox to flue outlet-end of pipe.

CHIMNEY MAINTENANCE

Have your chimney system cleaned and inspected regularly to ensure safe and efficient operation. Refer to your Owner's Manual for further guidelines on maintenance and operation.

Using Figure 24 and the chart below, determine the opening that will be required for the pitch of your particular roof.

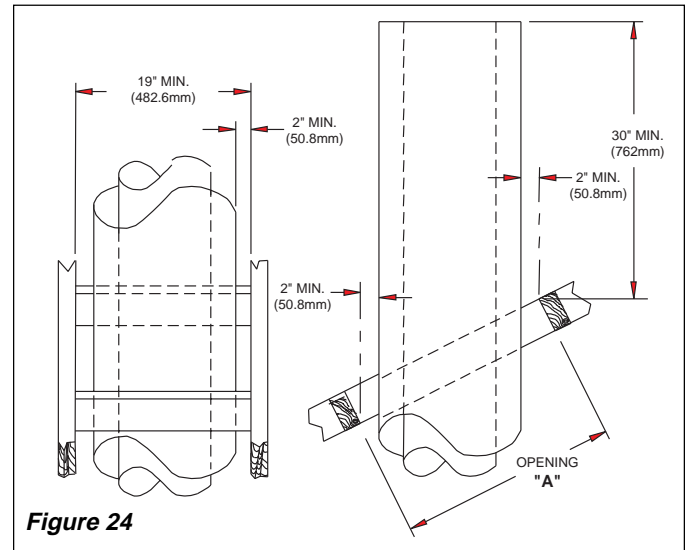


Figure 24

ROOF OPENING CHART

PITCH	OPENING "A"	USE FLASHING NO.
FLAT	19	V6F10
6/12 (26.6 DEG. SLOPE)	23 1/4	V6F10
12/12 (45 DEG. SLOPE)	30 3/4	V12F10

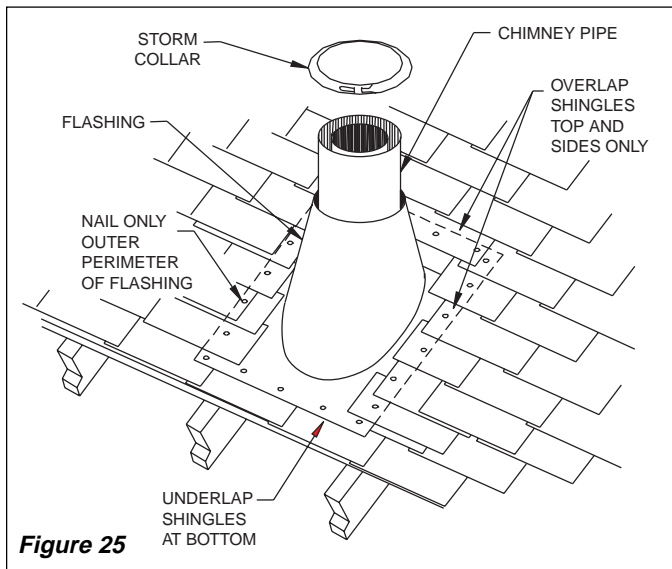
Before cutting hole, temporarily remove shingles around area to be opened. After preparing the opening on the roof, continue to add sections of pipe until it extends a minimum of 30 inches above highest point of roof cutout (see Figure 24).

With the termination the minimum height should add up 3 feet (see *10-Foot Rule* and Figure 22).

FLASHING INSTALLATION

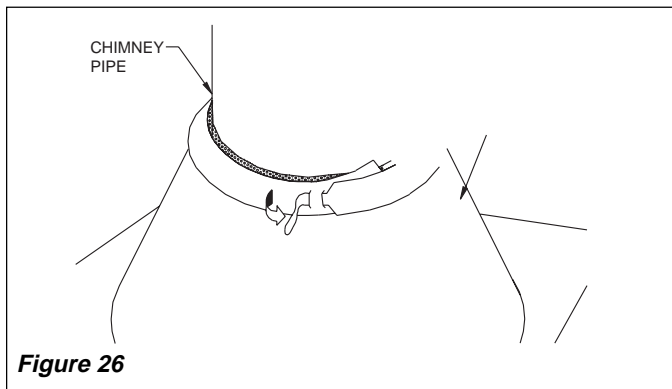
Determine the flashing to be used with the roof-opening chart. Slide flashing over pipe until base is flat against roof. Replace as many shingles as needed to cover exposed area and flashing base. Secure in position by nailing through shingles.

DO NOT NAIL THROUGH FLASHING CONE.



STORM COLLAR INSTALLATION

Place storm collar over pipe and slide down until snug against the open edge of the flashing (see Figure 26).

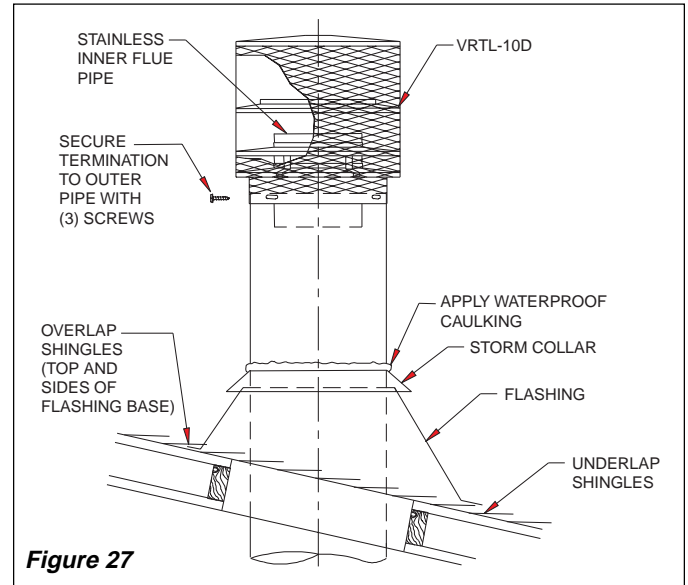


Apply waterproof caulking to all seams and notched around storm collar and also at base around shingles.

TERMINATIONS

The firebox system must be terminated with the listed round top or chase terminations. In any case, refer to the installation instructions supplied with the termination.

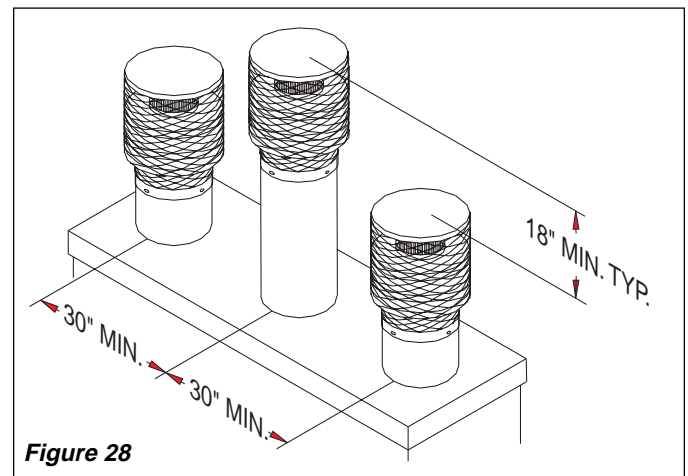
The terminations approved for this firebox are **VRTL-10D** which can be used for flashing or chase and **VETL-10D** for chase style termination only. Figure 27 shows an **VRTL-10D** round top termination.



CAUTION: DO NOT SEAL OPENINGS ON THE ROOFTOP FLASHING. FOLLOW THE INSTALLATION INSTRUCTIONS PROVIDED WITH THE TERMINATION BEING USED.

CHASE INSTALLATIONS

Instructions for chase installations are included with the chase style termination chosen although it is worthy to mention here that in a multiple chase installation, provide adequate distance between terminations or smoke spillage from one termination to another may occur. We suggest they be separated at least 30" center to center and stacked at a vertical height difference of 18" vertically from one termination to the other (see Figure 28).



FINISHING YOUR FIREBOX

CABINET DOOR INSTALLATION

Brushed brass glass doors have been provided with this firebox. A set includes the front glass panel assembly. They come in different styles, check with your local distributor for availability and options.

To install doors and front panel, simply insert top door pin(s) up into hole(s) on top frame, and insert bottom pin (D) into hole (S) on bottom frame until door is fully seated.

No alignments or adjustments are necessary (see Figure 29).

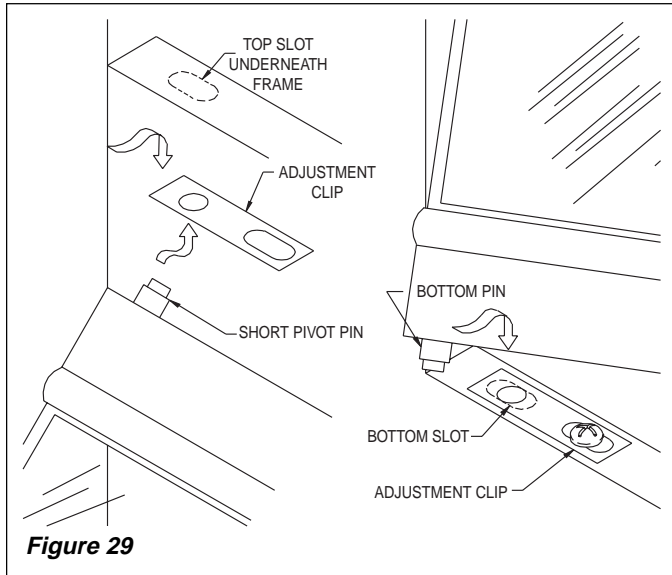


Figure 29

FIREBOX FACING

Any noncombustible material may be used for facing (glass, tile, brick, etc.) as long as the proper clearances are adhered to (refer to section on clearances) and the firebox opening are not blocked or obstructed in any way (see Figure 30).

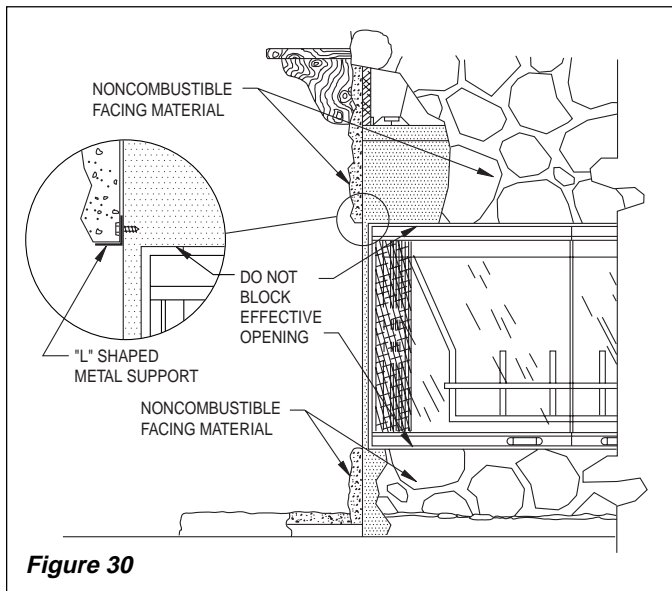


Figure 30

Use only heat resistant, noncombustible mortar or adhesive when securing facing material to the front of the firebox.

When placing facing at the upper edge of the **effective opening** of the firebox, provide an "L" shaped piece of metal extending the full width of the opening.

Secure with sheet metal screws at a distance high enough from the edge as to not interfere with the operation of doors. This assures that the facing material, in time, should not block the opening if it were to lose cohesion.

FLASHING MANTELS

Mantels, **combustible** or **noncombustible**, may be constructed (see Figure 31), as long as the proper clearances are observed (refer to page 4 for clearance).

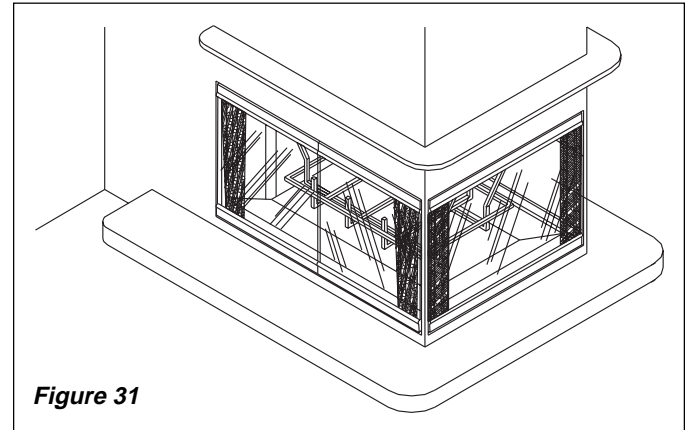


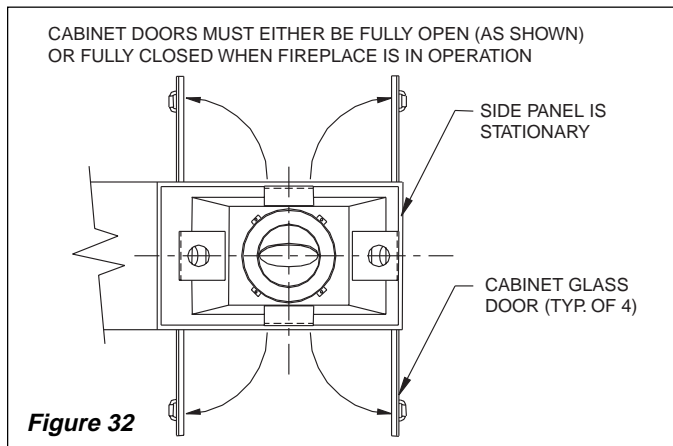
Figure 31

OPERATING GUIDELINES AND MAINTENANCE INSTRUCTIONS

GLASS DOORS

Only the cabinet type doors can be opened, the front glass panel assembly is stationary and must be installed with doors.

When firebox is in operation, both sets of cabinet doors on each side of firebox, must be in the **FULLY OPEN** or **FULLY CLOSED** position only or a fire hazard may be created (see Figure 32).



DAMPER MECHANISM

The damper control lever is located inside the fire chamber (see Figure 33). Make sure lever is cool before handling. Pull down to **CLOSE**, push up to **OPEN**. The damper must be open when lighting a fire; not doing so will cause smoke spillage into the room.

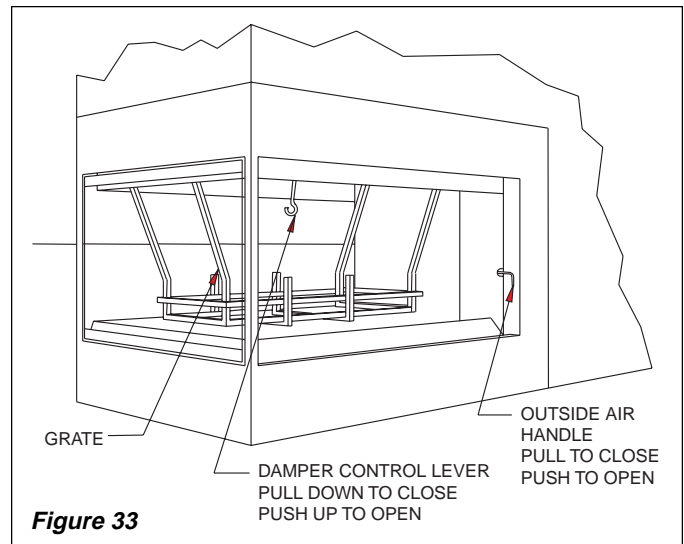
When the firebox is not in use, close the damper to prevent downdrafts from entering room.

The damper mechanism should be per the following figure.

OUTSIDE AIR MECHANISM

The outside air handle is located at the right hand side of the firebox rear refractor (Figure 33). Pull to close, push or, Always open the mechanism when starting a fire, this provides adequate outside combustion air. Close the mechanism when not in use to prevent cold air from entering the room.

Periodically check your outside air intake vent hood for any possible obstructions (snow, bushes, etc.).



GRATE

The grate is designed to provide you with the maximum solid fuel capacity, do not attempt to defeat its purpose, doing so may cause smoke spillage and may cause a fire hazard.

Do not overload the grate or obstruct the required air space beneath it. Always keep ashes from building up under the grate.

WARNING: RISK OF FIRE! REPLACE GRATE WITH VANGUARD MODEL 36PNGR GRATE ONLY.

Never obstruct the flow of combustion and ventilation air. Keep the front of the firebox clear of all obstacles and materials.

WARNING: CHILDREN AND ADULTS SHOULD BE ALERTED TO THE HAZARDS OF HIGH SURFACE TEMPERATURES AND TO STAY AWAY FROM THESE TO AVOID BURNS OR CLOTHING IGNITION.

YOUNG CHILDREN SHOULD BE CAREFULLY SUPERVISED WHEN THEY ARE IN THE SAME ROOM AS THE FIREBOX.

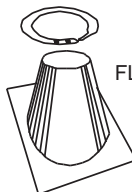
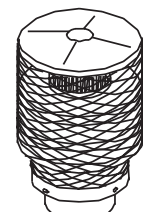
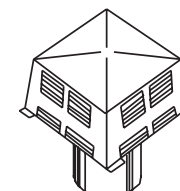

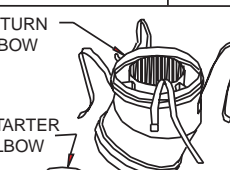


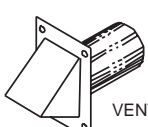




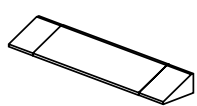
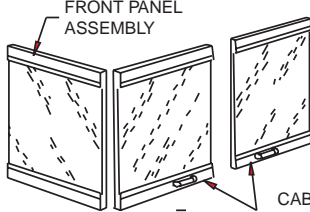
FOR FURTHER OPERATING GUIDELINES, INSTRUCTIONS AND WARRANTY INFORMATION PLEASE REFER TO YOUR OWNER'S MANUAL OR CONTACT YOUR AUTHORIZED DEALER.

REPLACEMENT AND ACCESSORY PARTS

Purchase replacement parts or accessories from your local dealer. If they can not supply these accessories, call DESA International's Parts Department at 1-800-972-7879 for referral information. You can also write to the address listed on the front cover of this manual. When calling DESA International, have ready

- model number of your heater
- the replacement part number

NOTE: USE OF ANY OTHER GLASS DOOR ASSEMBLY NOT TESTED WITH THIS FIREPLACE MAY CONSTITUTE A FIRE HAZARD AND WILL VOID THE DESA INTERNATIONAL WARRANTY.

<p>STORM COLLAR VSC2-20-10DM (20 PACK)</p>  <p>FLASHING</p> <p>ROOF PITCH V6F-10DM - 0 to 6/12 V12F-10DM - 6/12 to 12/12</p>	 <p>ROUND TOP TERMINATION VRTL-10D</p>	 <p>ECONO-TOP TERMINATION VETL-10D</p>
<p>COMES WITH WIRE SPACER</p>  <p>10" CHIMNEY PIPE ASSEMBLY (INCLUDES OUTER AND INNER PIPES) V12-10DM (12" LONG) V18-10DM (18" LONG) V24-10DM (24" LONG) V36-10DM (36" LONG) V48-10DM (48" LONG)</p>	<p>RETURN ELBOW</p>  <p>STARTER ELBOW</p>  <p>ELBOW SET V30E-10DM</p>	 <p>PIPE SUPPORT ASSEMBLY V12S-10DM</p>
 <p>VENT HOOD</p>	<p>OUTSIDE AIR KIT VAK4 (900147)</p>  <p>VENT PLASTER COLLAR</p>  <p>CONNECTOR DUCT - 4" X 3'</p>	
<p>EMBER PROTECTORS (5)</p> 	 <p>GRATE 36PNGR</p>	
 <p>ADJUSTABLE HOOD BLACK - GA6050 POLISHED BRASS - GA6052 ANTIQUÉ BRASS - GA6053</p>	<p>FRONT PANEL ASSEMBLY</p>  <p>CABINET DOOR SET (LEFT & RIGHT)</p> <p>VPN36 GLASS DOOR SETS VDGPN36 (Cabinet Doors (2 sets) and end panel (1) - Brushed Brass) VDPPN36 (Cabinet Doors (2 sets) and end panel (1) - Polished Brass) VDG36PNFPC (Pyroceramic Fixed Glass Doors - Brushed Brass) Includes one piece of glass only VDP36PNFPC (Pyroceramic Fixed Glass Doors - Polished Brass) Includes one piece of glass only VDG36PNFP (Tempered Fixed Glass Doors - Brushed Brass) Includes one piece of glass only VDP36PNFP (Tempered Fixed Glass Doors - Polished Brass) Includes one piece of glass only</p>	

Free Manuals Download Website

<http://myh66.com>

<http://usermanuals.us>

<http://www.somanuals.com>

<http://www.4manuals.cc>

<http://www.manual-lib.com>

<http://www.404manual.com>

<http://www.luxmanual.com>

<http://aubethermostatmanual.com>

Golf course search by state

<http://golfingnear.com>

Email search by domain

<http://emailbydomain.com>

Auto manuals search

<http://auto.somanuals.com>

TV manuals search

<http://tv.somanuals.com>