

**DEWALT®**

**[www.DEWALT.com](http://www.DEWALT.com)**

**DW752R**

---

<b>English (original instructions)</b>	<b>3</b>
<b>Français</b> (traduction de la notice d'instructions originale)	<b>9</b>
<b>العربية:</b> (مترجم عن التعليمات الأصلية)	<b>15</b>

---

Figure 1  
شکل 1

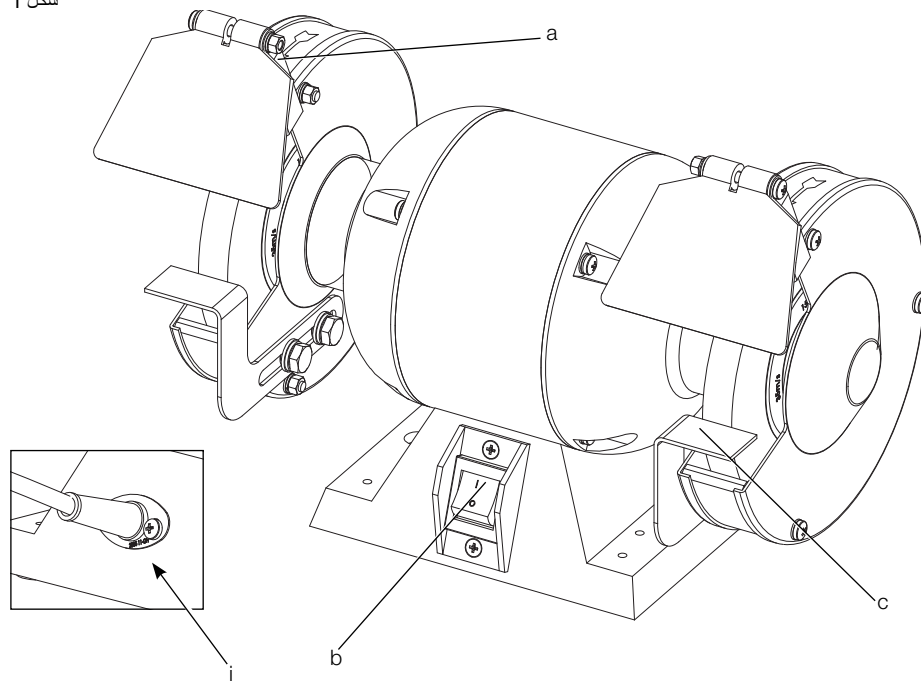


Figure 2  
شکل 2

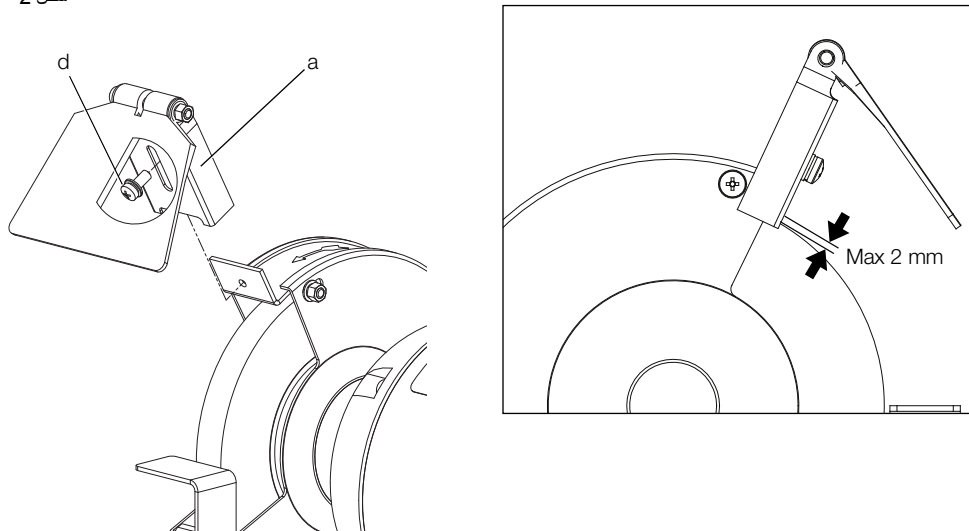


Figure 3

شكل 3

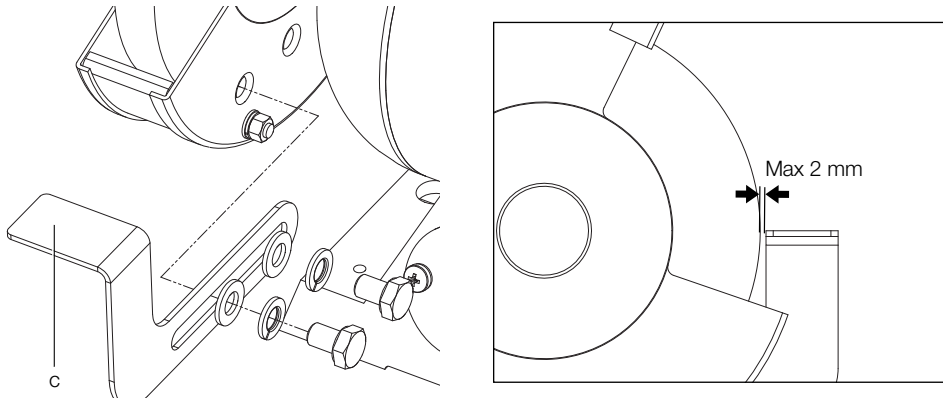
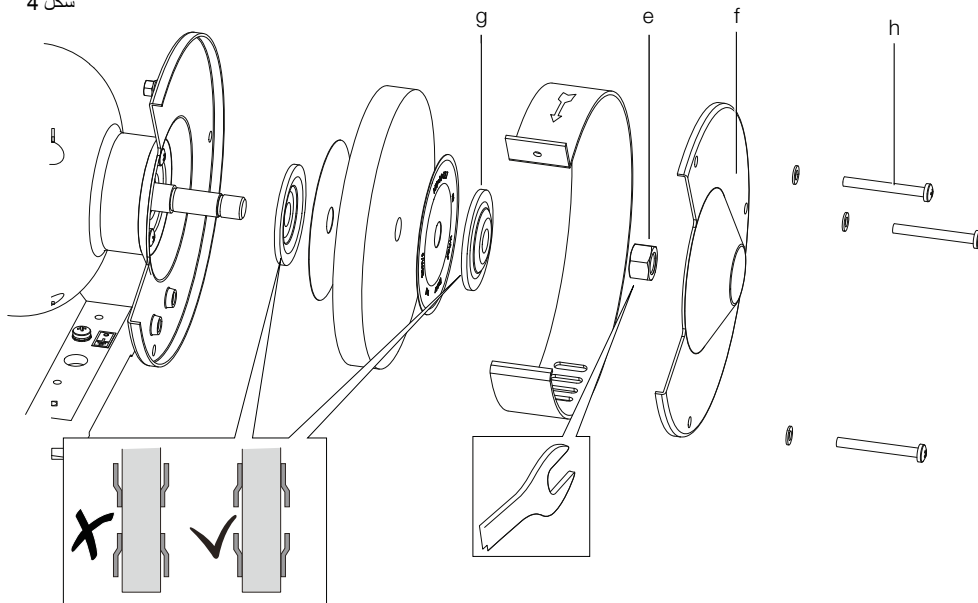


Figure 4

شكل 4



# BENCH GRINDER

## DW752R

### Congratulations!

You have chosen a DEWALT tool. Years of experience, thorough product development and innovation make DEWALT one of the most reliable partners for professional power tool users.

### Technical Data

		DW752R-B5	DW752R-ZA
Voltage	V	220–240	230
Power input	W	373	373
Frequency	Hz	50/60	50
No-load speed	/min	2950	2950
Wheel diameter	mm	150	150
Wheel thickness	mm	15–17	15–17
Bore diameter	mm	12.7–12.9	12.7–12.9
Grinder wheel speed	m/s	35	35

### Definitions: Safety Guidelines

The definitions below describe the level of severity for each signal word. Please read the manual and pay attention to these symbols.



**DANGER:** Indicates an imminently hazardous situation which, if not avoided, **will** result in **death or serious injury**.



**WARNING:** Indicates a potentially hazardous situation which, if not avoided, **could** result in **death or serious injury**.



**CAUTION:** Indicates a potentially hazardous situation which, if not avoided, **may** result in **minor or moderate injury**.

**NOTICE:** Indicates a practice **not related to personal injury** which, if not avoided, **may** result in **property damage**.



Denotes risk of electric shock.



Denotes risk of fire.



**WARNING:** To reduce the risk of injury, read the instruction manual.

### General Power Tool Safety Warnings



**WARNING! Read all safety warnings and all instructions.** Failure to follow the warnings and instructions may result in electric shock, fire and/or serious injury.

#### SAVE ALL WARNINGS AND INSTRUCTIONS FOR FUTURE REFERENCE

The term “power tool” in the warnings refers to your mains-operated (corded) power tool or battery-operated (cordless) power tool.

#### 1) WORK AREA SAFETY

- Keep work area clean and well lit.** Cluttered or dark areas invite accidents.
- Do not operate power tools in explosive atmospheres, such as in the presence of flammable liquids, gases or dust.** Power tools create sparks which may ignite the dust or fumes.
- Keep children and bystanders away while operating a power tool.** Distractions can cause you to lose control.

#### 2) ELECTRICAL SAFETY

- Power tool plugs must match the outlet. Never modify the plug in any way. Do not use any adapter plugs with earthed (grounded) power tools.** Unmodified plugs and matching outlets will reduce risk of electric shock.
- Avoid body contact with earthed or grounded surfaces such as pipes, radiators, ranges and refrigerators.** There is an increased risk of electric shock if your body is earthed or grounded.
- Do not expose power tools to rain or wet conditions.** Water entering a power tool will increase the risk of electric shock.
- Do not abuse the cord. Never use the cord for carrying, pulling or unplugging the power tool. Keep cord away from heat, oil, sharp edges or moving parts.** Damaged or entangled cords increase the risk of electric shock.
- When operating a power tool outdoors, use an extension cord suitable for outdoor use.** Use of a cord suitable for outdoor use reduces the risk of electric shock.
- If operating a power tool in a damp location is unavoidable, use a residual**

## ENGLISH

*current device (RCD) protected supply. Use of an RCD reduces the risk of electric shock.*

### 3) PERSONAL SAFETY

- a) **Stay alert, watch what you are doing and use common sense when operating a power tool. Do not use a power tool while you are tired or under the influence of drugs, alcohol or medication.** A moment of inattention while operating power tools may result in serious personal injury.
- b) **Use personal protective equipment. Always wear eye protection.** Protective equipment such as dust mask, non-skid safety shoes, hard hat, or hearing protection used for appropriate conditions will reduce personal injuries.
- c) **Prevent unintentional starting. Ensure the switch is in the off position before connecting to power source and/or battery pack, picking up or carrying the tool.** Carrying power tools with your finger on the switch or energising power tools that have the switch on invites accidents.
- d) **Remove any adjusting key or wrench before turning the power tool on.** A wrench or a key left attached to a rotating part of the power tool may result in personal injury.
- e) **Do not overreach. Keep proper footing and balance at all times.** This enables better control of the power tool in unexpected situations.
- f) **Dress properly. Do not wear loose clothing or jewellery. Keep your hair, clothing and gloves away from moving parts.** Loose clothes, jewellery or long hair can be caught in moving parts.
- g) **If devices are provided for the connection of dust extraction and collection facilities, ensure these are connected and properly used.** Use of dust collection can reduce dust-related hazards.

### 4) POWER TOOL USE AND CARE

- a) **Do not force the power tool. Use the correct power tool for your application.** The correct power tool will do the job better and safer at the rate for which it was designed.
- b) **Do not use the power tool if the switch does not turn it on and off.** Any power tool that cannot be controlled with the switch is dangerous and must be repaired.
- c) **Disconnect the plug from the power source and/or the battery pack from the power tool before making any**

*adjustments, changing accessories, or storing power tools. Such preventive safety measures reduce the risk of starting the power tool accidentally.*

- d) **Store idle power tools out of the reach of children and do not allow persons unfamiliar with the power tool or these instructions to operate the power tool.** Power tools are dangerous in the hands of untrained users.
- e) **Maintain power tools. Check for misalignment or binding of moving parts, breakage of parts and any other condition that may affect the power tool's operation. If damaged, have the power tool repaired before use.** Many accidents are caused by poorly maintained power tools.
- f) **Keep cutting tools sharp and clean.** Properly maintained cutting tools with sharp cutting edges are less likely to bind and are easier to control.
- g) **Use the power tool, accessories and tool bits etc., in accordance with these instructions taking into account the working conditions and the work to be performed.** Use of the power tool for operations different from those intended could result in a hazardous situation.

### 5) SERVICE

- a) **Have your power tool serviced by a qualified repair person using only identical replacement parts.** This will ensure that the safety of the power tool is maintained.

## Additional Safety Instructions for Bench Grinder

- **Value of the thickness limit of wear of the work rest is 1 mm.**
- **Always use proper guard with grinding wheel. A guard protects operator from broken wheel fragments.**
- **Accessories must be rated for at least the speed recommended on the tool warning label.** Wheels and other accessories running over the rated speed can fly apart and cause injury.
- **Do not use a grinding wheel that is cracked or flawed in any way.** Before using, inspect recommended accessory for cracks or flaws. If such a crack or flaw is evident, discard the accessory.
- **When starting the tool, let it run for one minute. Never start the tool with a person in line with the wheel.** This includes the operator.

- **Do not grind on the sides of grinding wheels unless they are specifically designed for that purpose.**
- **Do not overtighten wheel clamp nut.** This may crack the grinding wheel.
- **Clean the cavity around the grinding wheel periodically.**
- **Wear protective glasses.**
- **Do not use damaged or misshapen wheels or brushes.**
- **The adjustment of the spark arrestor shall be made frequently, so as to compensate the wear of the wheel, keeping the distance between the guard and the wheel as small as possible, but in any case not greater than 2 mm;**
- **The adjustment of the work rest shall be done gradually so as to compensate the wear of the wheel, keeping the distance between the work rest and the wheel as small as possible, but in any case not greater than 2 mm.**
- **Allow the tool to cool down after a continuous use of 20 minutes (S2 20 min).**

## Residual Risks

In spite of the application of the relevant safety regulations and the implementation of safety devices, certain residual risks cannot be avoided. These are:

- Impairment of hearing.
- Risk of personal injury due to flying particles.
- Risk of burns due to accessories becoming hot during operation.
- Risk of personal injury due to prolonged use.

## Markings on Tool

The following pictograms are shown on the tool:



Read instruction manual before use.



Wear eye protection.



Wear ear protection.

S2 20min The short-time duty is 20 min.

## DATE CODE POSITION (FIG. 1)

The date code (i), which also includes the year of manufacture, is printed into the housing.

Example:

2014 XX XX

Year of Manufacture

## Package Contents

The package contains:

- 1 Bench grinder
- 1 Wheel
- 2 Pairs of tool rests
- 2 Pairs of spark guards
- 2 Pairs of mounting brackets
- 1 Instruction manual
- 1 Exploded drawing
- Check for damage to the tool, parts or accessories which may have occurred during transport.
- Take the time to thoroughly read and understand this manual prior to operation.

## Description (fig. 1)



**WARNING:** Never modify the power tool or any part of it. Damage or personal injury could result.

- Spark guard
- Switch
- Tool rest

## INTENDED USE

This bench grinder is ideal for use in sharpening chisels, axes and other wood-cutting tools. It is also useful for repairing tips on screwdrivers and drill bits or for removing excess metal burrs from pieces of cut metal. With the proper accessories, this tool can be used for cleaning metal surfaces using a wire brush or for buffing and polishing using a cloth wheel. Never use this bench grinder for cut-off operations.

**DO NOT** use under wet conditions or in presence of flammable liquids or gases.

This grinder is professional power tool. **DO NOT** let children come into contact with the tool. Supervision is required when inexperienced operators use this tool.

- This product is not intended for use by persons (including children) suffering from diminished physical, sensory or mental abilities; lack of experience, knowledge or skills unless they are supervised by a person responsible for their safety. Children should never be left alone with this product.

## Electrical Safety

The electric motor has been designed for one voltage only. Always check that the power supply corresponds to the voltage on the rating plate.



Your DEWALT tool is double insulated in accordance with EN 60745; therefore no earth wire is required.

If the supply cord is damaged, it must be replaced by a specially prepared cord available through the DEWALT service organisation.

## Mains Plug Replacement (Middle East and Africa)

If a new mains plug needs to be fitted:

- Safely dispose of the old plug.
- Connect the brown lead to the live terminal in the plug.
- Connect the blue lead to the neutral terminal.



**WARNING:** No connection is to be made to the earth terminal.

Follow the fitting instructions supplied with good quality plugs. Recommended fuse: 13 A.

## Using an Extension Cable

If an extension cable is required, use an approved extension cable suitable for the power input of this tool (see **Technical Data**). The minimum conductor size is 1 mm<sup>2</sup>; the maximum length is 30 m.

When using a cable reel, always unwind the cable completely.

## ASSEMBLY AND ADJUSTMENTS



**WARNING:** To reduce the risk of injury, turn unit off and disconnect machine from power source before installing and removing accessories, before adjusting or changing set-ups or when making repairs. Be sure the trigger switch is in the OFF position. An accidental start-up can cause injury.

## Bench Mounting

1. Mark the position of the four mounting holes provided in the base of the machine on the workbench.
2. Drill appropriate sized hole at each of the marked positions.
3. Place the machine on the workbench and insert a 6 mm hex head bolt with washer through

each mounting hole in the base and into each of the holes drilled in the workbench.

4. Place a nut on each of the bolts and securely tighten the nuts.

## Mounting of Spark Guard (fig. 2)

The spark guard offers additional protection from sparks and must be used whenever possible.

**NOTE:** Spark guards are not designed to replace safety glasses.

1. Loosen screw (d) (do not remove it).
2. Slide spark guard (a) onto bracket.
3. Position the spark guard at a distance of approx. 2 mm from the grinding wheel. Tighten screw (d).

**NOTE:** Regularly check the distance between spark guard and the grinding wheel and adjust, if necessary. Replace the grinding wheel if spark guard (a) can no longer be adjusted to the maximum distance of 2 mm.

## Installing Tool Rest (fig. 3)



**WARNING:** Use the washers and screws supplied. Longer screws may interfere with the movement of the grinding wheel.

1. Use the supplied bolts, washers, spacers and lock nuts to secure the tool rests (c) in place.
2. Position the tool rest at a distance of approximately 2 mm from the grinding wheel. Regularly check the distance between tool rest (c) and the grinding wheel and adjust, if necessary.

## OPERATION

### Instructions for Use



**WARNING:** Always observe the safety instructions and applicable regulations.



**WARNING:** To reduce the risk of injury, turn unit off and disconnect machine from power source before installing and removing accessories, before adjusting or changing set-ups or when making repairs. Be sure the trigger switch is in the OFF position. An accidental start-up can cause injury.



**WARNING:** Never use a bench grinder if it is not firmly fastened to a work bench or rigid frame. Before turning the grinder on, put on safety glasses.




Turn on the grinder and allow it to reach full speed (2950/min). Hold the workpiece firmly and against the tool rest. Hold very small pieces with pliers or other suitable clamps. Feed the work smoothly and evenly into the grinding wheel. Move the work slowly and avoid jamming the work against the wheel. As the wheel tends to slow down you should occasionally release the pressure to let the wheel return to full speed. Grind only on the face of the grinding wheel and never on the side. (Some wheels are designed for side grinding and will say so on their instruction sheets).

## Switch

The switch is located on the front of the grinder, on the base. To turn the tool on depress the side of the rocker switch on the top side, marked "1". To turn off the grinder, depress the base side of the rocker switch, marked "0".


## Changing Accessories (fig. 4)

 **WARNING:** Do not use a damaged grinding wheel.

1. Remove the guard cover (f) by loosening (not removing) the three screws (h).
2. Remove the clamping nut (e) with a spanner.
3. Remove clamping flange (g) and grinding wheel.
4. Mounting new grinding wheel in reversed order.
5. Switch on the machine and let the wheel run with no load for one minute to check for cracks.

## MAINTENANCE

Your DEWALT power tool has been designed to operate over a long period of time with a minimum of maintenance. Continuous satisfactory operation depends upon proper tool care and regular cleaning.

 **WARNING: To reduce the risk of injury, turn unit off and disconnect machine from power source before installing and removing accessories, before adjusting or changing set-ups or when making repairs. Be sure the trigger switch is in the OFF position. An accidental start-up can cause injury.**



## Lubrication

Your power tool requires no additional lubrication.



## Cleaning



**WARNING:** Blow dirt and dust out of the main housing with dry air as often as dirt is seen collecting in and around the air vents. Wear approved eye protection and approved dust mask when performing this procedure.



**WARNING:** Never use solvents or other harsh chemicals for cleaning the non-metallic parts of the tool. These chemicals may weaken the materials used in these parts. Use a cloth dampened only with water and mild soap. Never let any liquid get inside the tool; never immerse any part of the tool into a liquid.

## Optional Accessories



**WARNING:** Since accessories, other than those offered by DEWALT, have not been tested with this product, use of such accessories with this tool could be hazardous. To reduce the risk of injury, only DEWALT recommended accessories should be used with this product.

Consult your dealer for further information on the appropriate accessories.

## Protecting the Environment



Separate collection. This product must not be disposed of with normal household waste.



Should you find one day that your DEWALT product needs replacement, or if it is of no further use to you, do not dispose of it with household waste. Make this product available for separate collection.



Separate collection of used products and packaging allows materials to be recycled and used again. Re-use of recycled materials helps prevent environmental pollution and reduces the demand for raw materials.

Local regulations may provide for separate collection of electrical products from the household, at municipal waste sites or by the retailer when you purchase a new product.

## ENGLISH

---

DEWALT provides a facility for the collection and recycling of DEWALT products once they have reached the end of their working life. To take advantage of this service please return your product to any authorised repair agent who will collect them on our behalf.

You can check the location of your nearest authorised repair agent by contacting your local DEWALT office at the address indicated in this manual. Alternatively, a list of authorised DEWALT repair agents and full details of our after-sales service and contacts are available on the Internet at: **[www.2helpU.com](http://www.2helpU.com)**.

# TOURET À MEULER DW752R

## Félicitations !

Vous avez choisi un outil DEWALT. Des années d'expertise dans le développement et l'innovation de ses produits ont fait de DEWALT, le partenaire privilégié des utilisateurs professionnels d'outils électriques.

## Caractéristiques techniques

		DW752R-B5	DW752R-ZA
Tension	V <sub>AC</sub>	220–240	230
Puissance absorbée	W	373	373
Fréquence	Hz	50/60	50
Vitesse à vide	/min	2950	2950
Diamètre de la meule	mm	150	150
Épaisseur de la meule	mm	15–17	15–17
Diamètre d'alésage	mm	12,7–12,9	12,7–12,9
Vitesse de la meule	m/s	35	35

## Définitions : consignes de sécurité

Les définitions ci-après décrivent le degré de risques associé à chaque balise. Lire soigneusement la notice d'instructions et respecter ces symboles.



**DANGER** : indique une situation de danger imminent qui, si rien n'est fait pour l'éviter, **aura** comme conséquences la **mort ou des dommages corporels graves**.



**AVERTISSEMENT** : indique une situation de danger potentiel qui, si rien n'est fait pour l'éviter, **pourra** avoir comme conséquences la **mort ou des dommages corporels graves**.



**ATTENTION** : indique une situation de danger potentiel qui, si rien n'est fait pour l'éviter, **pourrait** avoir comme conséquences des **dommages corporels mineurs ou moindres**.

**AVIS** : indique une pratique ne **posant aucun risque de dommages corporels**, mais qui par contre, si rien n'est fait pour l'éviter, **pourrait** poser des **risques de dommages matériels**.



Indique des risques de décharges électriques.



Indique des risques d'incendie.



**AVERTISSEMENT** : pour réduire tout risque de dommages corporels, lire la notice d'instructions

## Consignes de sécurité générales propres aux outils électriques



**AVERTISSEMENT ! lire toutes les directives et consignes de sécurité.**

Tout manquement aux directives et consignes ci-incluses comporte des risques de décharges électriques, d'incendie et/ou de dommages corporels graves.

### CONSERVER TOUTES CES DIRECTIVES ET CONSIGNES À TITRE DE RÉFÉRENCE

Le terme « outil électrique » mentionné dans les avertissements ci-après se rapporte aux outils alimentés sur secteur (avec fil) ou par piles (sans fil).

#### 1) SÉCURITÉ – AIRE DE TRAVAIL

- Maintenir l'aire de travail propre et bien éclairée.** Les lieux sombres ou encombrés sont propices aux accidents.
- Ne pas utiliser un outil électrique dans un milieu déflamant, comme en présence de liquides, gaz ou poussières inflammables.** Les outils électriques peuvent produire des étincelles qui pourraient enflammer toute émanation ou poussière ambiante.
- Maintenir à l'écart les enfants, ou toute autre personne, lors de l'utilisation d'un outil électrique.** Toute distraction pourrait faire perdre la maîtrise de l'appareil.

#### 2) SÉCURITÉ – ÉLECTRICITÉ

- La fiche électrique de l'outil doit correspondre à la prise murale. Ne modifier la fiche en aucune façon. Ne pas utiliser de fiche d'adaptation avec un outil électrique mis à la terre (masse).** L'utilisation de fiches d'origine et de prises appropriées réduira tout risque de décharges électriques.
- Éviter tout contact corporel avec des éléments mis à la terre comme : tuyaux, radiateurs, cuisinières ou réfrigérateurs.** Les risques de décharges électriques augmentent lorsque le corps est mis à la terre.

## FRANÇAIS

- c) **Ne pas exposer les outils électriques à la pluie ou à l'humidité.** Tout contact d'un outil électrique avec un liquide augmente les risques de décharges électriques.
- d) **Ne pas utiliser le cordon de façon abusive. Ne jamais utiliser le cordon pour transporter, tirer ou débrancher un outil électrique. Protéger le cordon de toute source de chaleur, de l'huile, et de tout bord tranchant ou pièce mobile.** Les cordons endommagés ou emmêlés augmentent les risques de décharges électriques.
- e) **En cas d'utilisation d'un outil électrique à l'extérieur, utiliser systématiquement une rallonge conçue à cet effet.** Cela diminuera tout risque de décharges électriques.
- f) **Si on ne peut éviter d'utiliser un outil électrique en milieu humide, utiliser un circuit protégé par un dispositif de courant résiduel (RCD).** Cela réduira tout risque de décharges électriques.

### 3) SÉCURITÉ INDIVIDUELLE

- a) **Rester systématiquement vigilant et faire preuve de jugement lorsqu'on utilise un outil électrique. Ne pas utiliser d'outil électrique en cas de fatigue ou sous l'influence de drogues, d'alcool ou de médicaments.** Tout moment d'inattention pendant l'utilisation d'un outil électrique comporte des risques de dommages corporels graves.
- b) **Porter un équipement de protection individuel. Porter systématiquement un dispositif de protection oculaire.** Le fait de porter un masque anti-poussières, des chaussures antidérapantes, un casque de sécurité ou un dispositif de protection auditive, lorsque la situation le requiert, réduira les risques de dommages corporels.
- c) **Prévenir tout démarrage accidentel. S'assurer que l'interrupteur est en position d'arrêt avant de brancher l'outil sur le secteur et/ou à la batterie, ou de le ramasser ou le transporter.** Transporter un outil le doigt sur l'interrupteur ou brancher un outil électrique alors que l'interrupteur est en position de marche invite les accidents.
- d) **Retirer toute clé de réglage avant de démarrer l'outil.** Une clé laissée sur une pièce rotative d'un outil électrique comporte des risques de dommages corporels.
- e) **Adopter une position stable. Maintenir les pieds bien ancrés au sol et conserver son équilibre en permanence.** Cela permettra

de mieux maîtriser l'outil électrique en cas de situations imprévues.

- f) **Porter des vêtements appropriés. Ne porter aucun vêtement ample ou bijou. Maintenir cheveux, vêtements et gants à l'écart des pièces mobiles, car ils pourraient s'y faire prendre.**
- g) **Lorsqu'un dispositif de connexion à un système de dépoussiérage ou d'élimination est fourni, s'assurer qu'il est branché et utilisé correctement.** L'utilisation de ces dispositifs peut réduire les risques engendrés par les poussières.

### 4) UTILISATION ET ENTRETIEN DES OUTILS ÉLECTRIQUES

- a) **Ne pas forcer un outil électrique. Utiliser l'outil approprié au travail en cours.** L'outil approprié effectuera un meilleur travail, de façon plus sûre et à la vitesse pour laquelle il a été conçu.
- b) **Ne pas utiliser un outil électrique dont l'interrupteur est défectueux.** Tout appareil dont l'interrupteur est défectueux est dangereux et doit être réparé.
- c) **Débrancher la fiche du secteur et/ou la batterie de l'outil électrique avant d'effectuer tout réglage, de changer tout accessoire, ou avant de le ranger.** Ces mesures préventives réduiront tout risque de démarrage accidentel de l'appareil.
- d) **Après utilisation, ranger les outils électriques hors de portée des enfants et ne permettre à aucune personne non familière avec son fonctionnement (ou sa notice d'instructions) de l'utiliser.** Les outils peuvent être dangereux entre des mains inexpérimentées.
- e) **Entretenir les outils électriques. Vérifier les pièces mobiles pour s'assurer qu'elles sont bien alignées et tournent librement, qu'elles sont en bon état et ne sont affectées d'aucune condition susceptible de nuire au bon fonctionnement de l'outil. En cas de dommage, faire réparer l'outil électrique avant toute nouvelle utilisation.** De nombreux accidents sont causés par des outils mal entretenus.
- f) **Maintenir tout organe de coupe propre et bien affûté.** Les outils de coupe bien entretenus et affûtés sont moins susceptibles de se coincer et sont plus faciles à contrôler.
- g) **Utiliser un outil électrique, ses accessoires, mèches, etc., conformément aux présentes directives et suivant la manière prévue pour ce type particulier d'outil électrique, en tenant compte des**

conditions de travail et de la tâche à effectuer. L'utilisation d'un outil électrique à des fins autres que celles prévues est potentiellement dangereuse.

## 5) RÉPARATION

- a) *Faire entretenir les outils électriques par un réparateur qualifié en n'utilisant que des pièces de rechange identiques. Cela permettra de préserver l'intégrité de l'outil électrique et la sécurité de l'utilisateur.*

## Consignes de sécurité supplémentaires pour le touret à meuler

- **La valeur de la limite d'usure en épaisseur de la réglette porte-pièce est de 1 mm.**
- **Utilisez toujours la garde de protection adéquate avec la meule. La garde protège l'utilisateur des fragments de meule.**
- **Les accessoires doivent être classés au minimum à la vitesse recommandée sur l'étiquette d'avertissement se trouvant sur l'outil.** Les meules et autres accessoires fonctionnant au dessus de la vitesse nominale peuvent voler en éclats et provoquer des blessures.
- **N'utilisez pas une meule qui serait fissurée ou biaisée de quelque manière que ce soit.** Avant utilisation, vérifiez l'absence de fissures ou de défauts sur l'accessoire. En cas de fissures ou défauts manifestes, débarrassez-vous de l'accessoire.
- **Lorsque vous démarrez l'outil, laissez-le tourner à vide pendant une minute. Ne démarrez jamais l'outil si quelqu'un se trouve dans l'axe de la meule.** Ceci inclut également l'opérateur.
- **N'utilisez pas les côtés de la meule pour meuler à moins qu'elle ne soit spécifiquement conçue pour.**
- **Ne serrez pas trop l'écrou de fixation de la meule.** Cela pourrait faire fissurer la meule.
- **Nettoyez régulièrement la cavité autour de la meule.**
- **Portez des lunettes de protection.**
- **N'utilisez jamais de meules ou de brosses endommagées ou déformées.**
- **Le réglage du pare-étincelles doit être fait régulièrement, en fonction de l'usure de la meule, pour maintenir la distance entre la protection et la meule aussi petite que**

**possible. Cette distance ne doit, dans tous les cas, jamais excéder 2 mm.**

- **Le réglage de la réglette porte-pièce doit être fait graduellement, en fonction de l'usure de la meule, pour maintenir la distance entre la réglette porte-pièces et la meule aussi petite que possible. Cette distance ne doit, dans tous les cas, jamais excéder 2 mm.**
- **Laissez l'outil refroidir après une utilisation continue de 20 minutes (S2 20 min).**

## Risques résiduels

En dépit de l'application des normes de sécurité en vigueur et de l'installation de dispositifs de sécurité, certains risques résiduels sont inévitables. Il s'agit de :

- Diminution de l'acuité auditive ;
- Risques de dommages corporels dus à des projections de particules.
- Risques de brûlures provoquées par des accessoires ayant surchauffé pendant leur fonctionnement.
- Risques de dommages corporels dus à un usage prolongé.

## Étiquettes sur l'appareil

On trouve les diagrammes suivants sur l'outil :



Lire la notice d'instructions avant toute utilisation.



Portez une protection oculaire.



Portez une protection auditive.

S2 20min La durée du service temporaire est de 20 min

## EMPLACEMENT DE LA DATE CODÉE DE FABRICATION (FIG. 1)

La date codée de fabrication (i), qui comprend aussi l'année de fabrication, est imprimée sur le boîtier.

Exemple :

2014 XX XX

Année de fabrication

## Contenu de l'emballage

Ce carton comprend :

- 1 Touret à meuler
- 1 Meule

## FRANÇAIS

- 2 Paires de réglettes porte-pièce
  - 2 Paires de pare-étincelles
  - 2 Paires de supports de montage
  - 1 Notice d'instructions
  - 1 Dessin éclaté
- Vérifier que l'appareil et ses pièces ou accessoires n'ont pas été endommagés lors du transport.
  - Prendre le temps de lire attentivement et comprendre cette notice d'instructions avant toute utilisation de l'appareil.

### Description (fig. 1)



**AVERTISSEMENT :** ne jamais modifier l'outil ni aucun de ses composants, car cela pose des risques de dommages corporels ou matériels.

- a. Pare-étincelles
- b. Interrupteur
- c. Réglette porte-pièce

### USAGE PRÉVU

Le touret à meuler est idéal pour affûter les burins, les ciseaux, les axes et tous les autres outils de coupe. Il est également utile pour rectifier les pointes de tournevis ou de forêts ou pour supprimer l'excès d'ébarbures des pièces métalliques découpées. A l'aide des accessoires adéquats, cet outil peut être utilisé pour nettoyer les surfaces métalliques avec une brosse métallique ou pour les polir avec une meule drap. N'utilisez jamais le touret à meuler pour effectuer des découpes.

**NE PAS** utiliser ces outils en milieu ambiant humide ou en présence de liquides ou de gaz inflammables.

Cette meuleuse est une machine-outil professionnelle. **NE PAS** le laisser à la portée des enfants. Une supervision est nécessaire auprès de tout utilisateur non expérimenté.

- Ce produit n'est pas prévu pour être utilisé par des personnes (y compris les enfants) dont les capacités physiques, sensorielles ou mentales sont réduites ou qui manquent d'expérience ou d'aptitudes, sauf si ces personnes sont surveillées par une autre personne responsable de leur sécurité. Ne jamais laisser les enfants seuls avec ce produit.

### Sécurité électrique

Le moteur électrique a été conçu pour fonctionner sur une tension unique. Vérifier systématiquement que la tension du secteur correspond bien à la tension indiquée sur la plaque signalétique.



Votre outil DEWALT à double isolation est conforme à la norme EN 60745 ; un branchement à la terre n'est donc pas nécessaire.

Si le cordon fourni est endommagé, le remplacer par un cordon spécialement conçu à cet effet, et disponible auprès du service après-vente DEWALT.

### Remplacement de la fiche d'alimentation (Moyen-Orient et Afrique)

Si une nouvelle fiche d'alimentation doit être montée :

- Mettre soigneusement au rebut l'ancienne fiche.
- Raccorder le fil marron à la borne de phase dans la fiche.
- Raccorder le fil bleu à la borne de neutre.



**AVERTISSEMENT :** aucun branchement ne doit être fait à la borne de terre.

Suivez les instructions de montage fournies avec des fiches de bonne qualité. Fusible recommandé : 13 A.

### Utilisation d'une rallonge

Si une rallonge s'avère nécessaire, utiliser une rallonge homologuée et compatible avec la tension nominale de cet outil (se reporter à la section **Caractéristiques techniques**). La section minimale du conducteur est de 1 mm<sup>2</sup> pour une longueur maximale de 30 m.

En cas d'utilisation d'un dévidoir, dérouler systématiquement le câble sur toute sa longueur.

### MONTAGE ET RÉGLAGES



**AVERTISSEMENT :** Afin de réduire les risques de blessures, arrêtez l'appareil et débranchez-le de la source d'alimentation avant d'installer ou de retirer des accessoires, avant d'effectuer des réglages ou de modifier la configuration ou encore pendant les réparations. Assurez-vous que l'interrupteur est en position ARRÊT. Un démarrage accidentel peut provoquer des blessures.

### Montage sur établi

1. Repérez sur l'établi, la position des quatre trous de montage situés dans la base de la machine.

2. Percez des trous de taille adéquate au niveau de chaque position repérée.
3. Placez la machine sur l'établi et insérez une vis de boulon à tête hexagonale de 6 mm, avec rondelle, traversant chaque trou de la base et de l'établi.
4. Placez un écrou sur chaque vis et serrez-le fermement.

### Montage du pare-étincelles (fig. 2)

Le pare-étincelles apporte une protection supplémentaire contre les étincelles et il doit toujours être utilisé le cas échéant.

**REMARQUE :** Les pare-étincelles ne remplacent pas les lunettes de protection.

1. Dévissez la vis (d) (ne la retirez pas).
2. Glissez le pare-étincelles (a) sur le support.
3. Positionnez le pare-étincelles à une distance de 2 mm environ de la meule. Serrez la vis (d).

**REMARQUE :** Vérifiez régulièrement la distance entre le pare-étincelles et la meule et réglez-la si nécessaire. Remplacez la meule dès qu'il devient impossible de régler le pare-étincelle (a) à une distance maximum de 2 mm.

### Installation de la réglette porte-pièce (fig. 3)



**AVERTISSEMENT :** Utilisez les rondelles et les vis fournies. Des vis plus longues pourraient gêner le mouvement de la meule.

1. Utilisez les boulons, rondelles, entretoises et écrous de verrouillage fournis pour fixer la réglette porte-pièce (c) en place.
2. Positionnez la réglette porte-pièce à une distance de 2 mm environ de la meule. Vérifiez régulièrement la distance entre la réglette porte-pièce (c) et la meule et réglez-la si nécessaire.

## FONCTIONNEMENT

### Consignes d'utilisation



**AVERTISSEMENT :** respecter systématiquement les consignes de sécurité et les normes en vigueur.



**AVERTISSEMENT :** Afin de réduire les risques de blessures, arrêtez l'appareil et débranchez-le de la source d'alimentation avant d'installer ou de retirer des accessoires, avant d'effectuer

**des réglages ou de modifier la configuration ou encore pendant les réparations.** Assurez-vous que l'interrupteur est en position ARRÊT. Un démarrage accidentel peut provoquer des blessures..



**AVERTISSEMENT :** N'utilisez jamais une meule qui ne soit pas fermement fixée sur un établi ou un châssis fixe. Mettez vos lunettes de protection, avant de mettre la meuleuse en marche.

Allumez la meuleuse et laissez-la atteindre sa pleine vitesse (2950/min). Maintenez la pièce à travailler fermement contre la réglette porte-pièce. Maintenez les très petites pièces à l'aide de pinces ou autres dispositifs de fixation appropriés. Amenez la pièce à travailler sans à coups et de façon régulière contre la meule. Déplacez la pièce doucement en évitant de bloquer la pièce contre la meule. La meule ayant à tendance à ralentir, vous devez régulièrement relâcher la pression pour lui laisser reprendre sa pleine vitesse. Ne meulez qu'avec la partie avant de la meule et jamais sur ses côtés. (Certaines meules sont conçues pour meuler sur leurs côtés, cela est précisé sur leurs notices).

### Interrupteur

L'interrupteur se trouve à l'avant de la meuleuse, sur la base. Pour mettre l'outil en marche, appuyez sur l'interrupteur à bascule vers le haut, du côté marqué d'un «1». Pour éteindre la meuleuse, appuyez sur l'interrupteur à bascule vers le bas, du côté marqué d'un «0».

### Changer les accessoires (fig. 4)



**AVERTISSEMENT :** N'utilisez jamais une meule qui serait endommagée.

1. Retirez la garde de protection (f) en dévissant (sans les retirer) les trois vis (h).
2. Retirez l'écrou de fixation (e) à l'aide d'une clé.
3. Retirez la bride de fixation (g) et la meule.
4. Remontez une nouvelle meule en procédant dans l'ordre inverse.
5. Allumez la machine et laissez la meule tourner à vide pendant une minute afin de contrôler l'absence de fissures.

## MAINTENANCE

Cet outil DEWALT a été conçu pour fonctionner longtemps avec un minimum de maintenance. Le fonctionnement continu et satisfaisant de l'outil dépend d'un entretien adéquat et d'un nettoyage régulier.



**AVERTISSEMENT** : Afin de réduire les risques de blessures, arrêtez l'appareil et débranchez-le de la source d'alimentation avant d'installer ou de retirer des accessoires, avant d'effectuer des réglages ou de modifier la configuration ou encore pendant les réparations. Assurez-vous que l'interrupteur est en position ARRÊT. Un démarrage accidentel peut provoquer des blessures



## Lubrification

Votre outil électrique ne requiert aucune lubrification additionnelle.



## Entretien



**AVERTISSEMENT** : éliminer poussière et saleté du boîtier principal à l'aide d'air comprimé chaque fois que les orifices d'aération semblent s'encrasser. Porter systématiquement des lunettes de protection et un masque anti-poussières homologués au cours de cette procédure.



**AVERTISSEMENT** : ne jamais utiliser de solvants ou tout autre produit chimique décapant pour nettoyer les parties non métalliques de l'outil. Ces produits chimiques pourraient en attaquer les matériaux utilisés. Utiliser un chiffon humidifié avec de l'eau et un savon doux. Protéger l'outil de tout liquide et n'immerger aucune de ses pièces dans aucun liquide.

## Accessoires en option



**AVERTISSEMENT** : comme les accessoires autres que ceux offerts par DEWALT n'ont pas été testés avec ce produit, leur utilisation avec cet appareil pourrait être dangereuse. Pour réduire tout risque de dommages corporels, seuls des accessoires DEWALT recommandés doivent être utilisés avec cet appareil.

Veuillez consulter votre revendeur pour plus d'informations sur les accessoires appropriés.

## Protection de l'environnement



Collecte sélective. Ne pas jeter ce produit avec les ordures ménagères.



En fin de durée de vie ou d'utilité de votre produit DEWALT, ne pas le jeter avec les ordures ménagères, mais dans les conteneurs de collecte sélective.



La collecte sélective des produits et emballages usagés permet de recycler et réutiliser leurs matériaux. La réutilisation de matériaux recyclés aide à protéger l'environnement contre la pollution et à réduire la demande en matière première.

Selon les réglementations locales, il peut être offert : service de collecte sélective individuel des produits électriques, ou déchetterie municipale ou collecte sur les lieux d'achat des produits neufs.

DEWALT dispose d'installations pour la collecte et le recyclage des produits DEWALT en fin de vie. Pour profiter de ce service, veuillez rapporter votre produit auprès d'un centre de réparation agréé qui le recyclera en notre nom.

Pour connaître l'adresse d'un centre de réparation agréé près de chez vous, veuillez contacter votre distributeur DEWALT local à l'adresse indiquée dans cette notice d'instructions, ou consulter la liste des centres de réparation agréés DEWALT, l'éventail de notre SAV et tout renseignement complémentaire sur Internet à l'adresse : [www.2helpU.com](http://www.2helpU.com).



## الجلاخة النضدية

## DW752R

## تهانينا!


لقد اخترت أداة DEWALT. سنوات الخبرة التي تمتد خلالها عمليات تطوير المنتجات وابتكارها تجعل DEWALT من أكثر الشركاء الذين يمكن الاعتماد عليهم بالنسبة لمستخدمي الأدوات الآلية المحترفين.


## البيانات الفنية


DW752R-ZA	DW752R-B5		
230	220-240	فولت	الجهد الكهربائي
373	373	وات	دخل الطاقة
50	50/60	هرتز	التردد
2950	2950	/ دقيقة	السرعة بدون حمل
150	150	مم	قطر الاسطوانة
15-17	15-17	مم	سمك الاسطوانة
12.7-12.9	12.7-12.9	مم	قطر الثقب
35	35	م/ث	سرعة اسطوانة الجلاخة


## التعريفات: تعليمات الأمان


تصف التعريفات التالية مستوى أهمية كل كلمة تحذيرية. يرجى قراءة الدليل والانتباه لتلك الرموز.


 خطر: تشير إلى حالة خطرة وشبكة الوقوع للغةية، وإذا لم يتم تفاديها، ستؤدي إلى حدوث الوفاة أو الإصابة الجسدية.


 تحذير: تشير إلى حالة خطرة محتملة الوقوع، وإذا لم يتم تفاديها، فقد تؤدي إلى حدوث الوفاة أو الإصابة الجسدية.

 تنبيه: تشير إلى حالة خطرة محتملة الوقوع، وإذا لم يتم تفاديها، وقد تؤدي إلى حدوث إصابة بسيطة أو متوسطة.


 ملاحظة: تشير إلى ممارسة غير متعلقة بإصابة شخصية، إذا لم يتم تفاديها، فقد تؤدي إلى ضرر الممتلكات.

 تشير إلى خطر حدوث صدمة كهربائية.

 تشير إلى خطر نشوب حريق.

 تحذير: لتقليل خطر حدوث الإصابات، يرجى قراءة دليل التعليمات.

## تحذيرات الأمان العامة للأدوات الكهربائية

 تحذير: يرجى قراءة جميع تحذيرات الأمان وجميع التعليمات، عدم الالتزام باتباع هذه التحذيرات والتعليمات قد يؤدي إلى حدوث صدمة كهربائية، و/أو نشوب حريق، و/أو إصابة جسدية.

احتفظ بجميع التحذيرات والتعليمات من أجل الرجوع إليها في المستقبل

يشير المصطلح «أداة كهربائية» في التحذيرات إلى الأداة الكهربائية التي تعمل بالطاقة الكهربائية (مزودة بسلك كهربائي) أو الأداة الكهربائية التي تعمل بالبطارية (غير مزودة بسلك كهربائي).

## (1) أمان منطقة العمل

(أ) احتفظ بمنطقة العمل نظيفة ومضاءة بطريقة جيدة. حيث أن المناطق المتكدسة بغير نظام أو المظلمة تؤدي إلى وقوع الحوادث.

(ب) لا تقم بتشغيل الأدوات الكهربائية في الأجواء المتفجرة. كأن يوجد بالمكان سوائل أو غازات أو غبار قابل للاشتعال. قد تؤدي الأدوات الكهربائية التي تحدث شرارات في اشتعال الأتربة أو الأذخنة.

(ج) حافظ على الأطفال والأشخاص المشاهدين بعيداً أثناء تشغيل الأداة الكهربائية. فقد يؤدي تشتت الانتباه إلى فقدان سيطرتك.

## (2) السلامة الكهربائية

(أ) يجب أن يتطابق قابس الأداة الكهربائية مع مصدر التيار الكهربائي. لا تقم مطلقاً بإجراء تعديل على القابس بأي طريقة. لا تستخدم قابس المحول مع الأدوات الكهربائية المؤرضة (تم تأريضها). حيث ستقلل المقابس غير المعدلة ومصادر التيار الكهربائي المتطابقة من خطر حدوث صدمة كهربائية.

(ب) تجنب تلامس الجسد مع الأسطح الأرضية أو المؤرضة كالأثاث، المشعاع والنطاقات والتلاجات. حيث يوجد خطر متزايد من حدوث صدمة كهربائية إذا كان جسدك مؤرضاً أو ثابتاً على الأرض.

(ج) لا تعرض الأدوات الكهربائية للمطر أو البلل. إذ سيؤدي الماء الذي يدخل الأداة الكهربائية إلى زيادة خطر حدوث صدمة كهربائية.

(د) لا تستخدم الكابل بطريقة خاطئة. لا تستخدم مطلقاً السلك من أجل حمل الأشياء أو سحبها أو لنزع قابس الأداة الكهربائية. أبعاد السلك عن الحرارة أو الزيوت أو الحواف الحادة أو الأجزاء المتحركة. إذ تزيد الأسلاك التالفة أو المتشابكة من خطر حدوث صدمة كهربائية.

(هـ) عند تشغيل الأداة الكهربائية خارج المنزل، استخدم سلك استئطلة ملائم للاستخدام في الأماكن الخارجية. حيث إن استخدام السلك الملائم للاستخدام الخارجي يقلل من خطر حدوث الصدمة الكهربائية.

(و) إذا لم يكن هناك مفر من تشغيل الأداة الكهربائية في أحد الأماكن الرطبة، فاستخدم مصدر إمداد محمي بجهاز قاطع الدائرة (RCD). استخدام جهاز التيار المتبقي يقلل من حدوث الصدمة الكهربائية.

## (3) السلامة الشخصية

(أ) ابق متيقظاً وراقب ما تقوم بفعله واستعن بالحواس العامة عند تشغيل الأداة الكهربائية. لا تستخدم الأداة الكهربائية عندما تكون متعباً أو تحت تأثير المخدرات أو الكحول أو الأدوية. قد تؤدي أي لحظة من السهو أثناء تشغيل الأدوات الكهربائية إلى حدوث إصابة جسدية جسيمة.

(ب) استخدم معدات الوقاية الشخصية. قم دوماً بارتداء واقي العينين. إذ أن استخدام معدات الوقاية مثل كمامات الأتربة، وأحذية الأمان المانعة للانزلاق، والخوذة الصلبة، أو واقي الأذن للحالات ذات الصلة سيقبل من الإصابات الشخصية.

## (5) الخدمة

أ) قم بصيانة الأداة الكهربائية الخاصة بك على يد فني إصلاح مؤهل وذلك من خلال استخدام أجزاء بديلة متطابقة فقط. حيث سيضمن ذلك الحفاظ على أمان الأداة الكهربائية.

## تعليمات السلامة الإضافية للجلاخة النضدية

- قيمة حد بلى مسند العمل 1 مم.
- دائماً استخدم واقياً مناسباً مع اسطوانة التجلخ، وحمي الواقي المشغل من الأجزاء المكسورة من الاسطوانة.
- يجب أن يتم تقييم الملحقات على الأقل من ناحية السرعة الموصى بها في ملصق التحذير الخاص بالأداة. يمكن أن تنفصل العجلات والملحقات الأخرى التي تعمل بسرعة أعلى من السرعة المصنفة للملحقات وتسبب إصابات.
- لا تستخدم اسطوانة تجلخ مشققة أو بها عيب من أي نوع. قبل الاستخدام، قم بفحص الملحق الموصى به بحثاً عن أي صدوع أو عيوب. إذا كان هذا التصنع واضح، فتخلص من هذا الملحق.
- عند بدء تشغيل الأداة، اتركها تعمل لمدة دقيقة. لا تقم بتشغيل الأداة مطلقاً مع وجود شخص محاذٍ للأسطوانة. وهذا يشمل المشغل.
- لا تقم بالتجلخ على جانبي اسطوانات التجلخ إلا إذا كانت مصممة خصيصاً لهذا الغرض.
- لا تفرط في ربط صامولة مشبك الاسطوانة. حيث يمكن أن يؤدي ذلك إلى حدوث شقوق في اسطوانة التجلخ.
- قم بتنظيف التجويف الموجود حول اسطوانة التجلخ بشكل دوري.
- ارتد النظارات الواقية.
- لا تستخدم الاسطوانات أو الفرش التالفة أو المشوهة.
- يتم إجراء ضبط حازج الشرر بشكل متكرر، من أجل التعويض عن بلى الاسطوانة، بما يساعد على الحفاظ على المسافة بين الواقي والاسطوانة بأصغر قدر لها، ولكن بما لا يتجاوز 2 مم في أي حالة؛
- يتم إجراء ضبط مسند العمل بشكل تدريجي، من أجل التعويض عن بلى الاسطوانة، بما يساعد على الحفاظ على المسافة بين مسند العمل والاسطوانة بأصغر قدر لها، ولكن بما لا يتجاوز 2 مم في أي حالة.
- اترك الأداة تبرد بعد استخدامها بشكل مستمر لمدة 20 دقيقة (وقت المهام القصيرة 20 دقيقة).

## المخاطر المتبقية

على الرغم من تطبيق تعليمات السلامة ذات الصلة والتزود بأجهزة الأمان، إلا أنه لا يمكن تفادي بعض المخاطر المتبقية المحددة. وتشمل هذه المخاطر ما يلي:

- ضعف السمع.
- خطر التعرض للإصابة الشخصية بسبب الجسيمات المتطايرة.
- خطر التعرض للحروق بسبب سخونة الملحقات أثناء التشغيل.
- خطر التعرض للإصابة الشخصية بسبب الاستخدام المطول.

- ج) تجنب التشغيل العرضي. تأكد من أن المفتاح في وضع إيقاف التشغيل قبل التوصيل بمصدر الطاقة، أو مجموعة البطارية، أو التقاط أو حمل الأداة. حيث قد يؤدي حمل الأدوات الكهربائية أثناء وجود إصبعك على المفتاح أو إمداد الأدوات الكهربائية التي يكون مفتاحها بوضع التشغيل بالكهرباء إلى وقوع الحوادث.
- د) قم بإخراج أي مفتاح ضبط أو مفتاح ربط قبل تشغيل الأداة الكهربائية. فقد يؤدي ترك مفتاح الربط أو المفتاح بالجزء الدوار بالأداة الكهربائية إلى حدوث إصابة شخصية.
- هـ) تجنب مد يدك بعيداً بالجهاز. حافظ على ثبات موضع قدمك والتوازن طيلة الوقت. إذ يساعدك ذلك على التحكم بشكل أفضل في الأداة الكهربائية في المواقف المفاجئة.
- و) ارتد ملابس مناسبة. لا تقم بارتداء ملابس أو مجوهرات فضفاضة. أبعد الشعر والملابس والقفازات عن الأجزاء المتحركة. فقد تحشر الملابس أو المجوهرات الفضفاضة أو الشعر الطويل في الأجزاء المتحركة.
- ز) قبل توفير الأجزاء للتوصيل بوسائل استخلاص وتجميع الأثرية، فتأكد من توصيلها واستخدامها بطريقة صحيحة. حيث أن تجميع الأثرية قد يؤدي إلى تقليل المخاطر المتعلقة بالأثرية.

## (4) استخدام الأداة الكهربائية والتعليق بها

- أ) لا تتعامل بالقوة مع الأداة الكهربائية. استخدم الأداة الكهربائية الملائمة لغرض الاستخدام الخاص بك. حيث ستنجز الأداة الكهربائية الملائمة المهمة بشكل أفضل وأكثر أماناً عند المعدل الذي صممت من أجله.
- ب) لا تستخدم الأداة الكهربائية إذا كان المفتاح لا يؤدي إلى التشغيل وإيقاف التشغيل. حيث تشكل أي أداة كهربائية لا يمكن التحكم فيها بواسطة المفتاح خطورة ويجب إصلاحها.
- ج) قم بفصل القابس من مصدر الطاقة / أو مجموعة البطارية من الأداة الكهربائية قبل إجراء أي عمليات ضبط أو تغيير ملحقات أو تخزين الأدوات الكهربائية. تقلل مثل إجراءات السلامة الوقائية هذه من خطر تشغيل الأداة الكهربائية بشكل فجائي.
- د) قم بتخزين الأدوات الكهربائية المتوقفة عن العمل بعيداً عن متناول الأطفال ولا تدع الأشخاص غير الملمين بالأداة الكهربائية أو بهذه التعليمات يقومون بتشغيل الأداة الكهربائية. إذ تعد الأدوات الكهربائية خطيرة في أيدي المستخدمين غير المدربين على استخدامها.
- هـ) حافظ على الأدوات الكهربائية. افحص للتحرر عن أي محادة غير صحيحة أو التصاق للأجزاء المتحركة، أو كسر بالأجزاء وأي حالات أخرى قد تؤثر على تشغيل الأداة الكهربائية. وفي حال وجود تلف، قم بإصلاح الأداة الكهربائية قبل الاستخدام. حيث يرجع سبب وقوع العديد من الحوادث إلى الصيانة السيئة للأدوات الكهربائية.
- و) حافظ على أدوات القطع في حالة حادة ونظيفة. حيث أن أدوات القطع التي تتم صيانتها بطريقة صحيحة ومزودة بحواف قطع حادة تتعرض بشكل أقل للتصاق ويسهل التحكم بها على نحو أكبر.
- ز) استخدم الأداة الكهربائية والملحقات ولقم الأداة وما شابه ذلك وفقاً لهذه التعليمات مع الأخذ في الاعتبار ظروف التشغيل والعمل المراد تنفيذه. إذ أن استخدام الأداة الكهربائية لعمليات مختلفة عن تلك للعمليات المخصصة لها قد يؤدي إلى حالة خطيرة.

## العلامات على الأداة

الصور التالية موضحة على الأداة:



اقرأ دليل التعليمات قبل الاستخدام.



قم بارتداء واقبات العين.



قم بارتداء واقبات الأذن.

وقت المهام  
S2 20min

وقت المهام القصيرة (20 دقيقة).

## موضع كود التاريخ (الشكل 1)

كود التاريخ (ط)، الذي يتضمن أيضًا عام التصنيع، مطبوع في التجويف. مثال:

2014 XX XX

عام التصنيع

## محتويات العبوة

تحتوي العبوة على ما يلي:

- 1 جلاخة تضدية
- 1 اسطوانة
- 2 زوج من مساند الأداة
- 2 زوج من الواقيات ضد الشرر
- 2 زوج من دعائم التركيب
- 1 دليل تعليمات
- 1 رسم ممتد
- افحص بحثًا عن أي تلف لحق بالأداة أو الأجزاء أو الملحقات يمكن أن يكون قد حدث أثناء النقل.
- استغرق الوقت اللازم لقراءة هذا الدليل وفهمه جيدًا قبل التشغيل.

## الوصف (الشكل 1)

تحذير: لا تقم مطلقًا بتعديل الأداة الكهربائية أو أي جزء منها. فقد ينجم عن ذلك التلف أو الإصابة الشخصية.



أ. الواقى ضد الشرر

ب. مفتاح

ج. مسند الأداة

## الاستخدام المقصود

تعد الجلاخة التضدية مثالية للاستخدام في إمضاء الأزاميل والفؤوس وغير ذلك من الأدوات التي تستخدم لقطع الأخشاب. كما أنها تكون مفيدة كذلك لإصلاح أطراف المفكات ولقم الثقوب أو لإزالة الحواف الخشنة الزائدة عن الحد من قطع المعادن التي يتم قصها. ومن خلال استخدام الإكسسوارات المناسبة، يمكن أن يتم استخدام هذه الأداة من أجل تنظيف أسطح المعادن باستخدام الفرشاة السلكية أو الصقل والتلميع باستخدام الاسطوانة القماشية. لا تستخدم الجلاخة التضدية هذه لعمليات القص مطلقًا.

لا تستخدمها في ظروف البيل أو في وجود سوائل أو غازات قابلة للاشتعال.

هذه الجلاخة هي أداة احترافية تعمل بالطاقة. لا تدع الأطفال يلعبون بالأداة. يكون الإشراف أمرًا ضروريًا عند استخدام مشغل قليل الخبرة لهذه الأداة.

- هذا المنتج غير مخصص للاستخدام من قبل الأفراد (بما في ذلك الأطفال) الذين يعانون من قصور في القدرات الجسدية أو الحسية أو العقلية، وقلة الخبرة أو المعرفة أو المهارات ما لم يكونوا تحت إشراف من يتحمل مسؤولية سلامتهم. لا ينبغي أن يُترك الأطفال وحدهم مع هذا المنتج.

## السلامة الكهربائية

تم تصميم المحرك الكهربائي لتحمل جهد كهربائي واحد فقط. تأكد دومًا من أن مصدر إمداد الطاقة مطابق للجهد الكهربائي المبين على لوحة التصنيف.

تم تزويد الأداة الخاصة بك من DEWALT بعازل مزدوج طبقًا لمعيار 0.4□□□□، لذا لا حاجة للسلك الأرضي.



إذ كان سلك إمداد الطاقة تالفًا، فيجب استبدال [ ] بسلك [ ] خر معد خصيصًا ومتوفر لدى [ ] مراكز خدمة DEWALT.

## استبدال قابس التيار الرئيسي (الشرق الأوسط وإفريقيا)

إذا استدعت الضرورة تركيب قابس تيار رئيسي، فقم بالتالي:

- تخلص بأمان من القابس القديم.
- وُضِّل السلك البني بطرف التوصيل النشط في القابس.
- وُضِّل السلك الأزرق بطرف التوصيل المحايد.



تحذير: لا يتم إجراء أي توصيل بطرف التوصيل الأرضي.

قم باتباع التعليمات الواردة مع القوايس ذات الجودة العالية. المتصهر الموصى باستخدامه: 73 أمبير

## استخدام كابل الاستطالة

إذا استدعت الضرورة استخدام كابل استطالة، فاستخدم كابل استطالة معتمد ملانم لدخل طاقة هذه الأداة، (انظر البيانات الفنية). حجم الموصل الأدنى هو 1 مم<sup>2</sup>، أقصى طول هو 0 م. عند استخدام بكرة الكابل، قم دومًا بفك الكابل تمامًا.

## عمليات التجميع والضبط

تحذير: لخفض خطر التعرض للإصابة، قم بإيقاف تشغيل الوحدة، وفصل الماكينة من مصدر الطاقة قبل تركيب المحلقات وفكها، وقبل ضبط أو تغيير الإعدادات، أو عند إجراء الإصلاحات. تأكد من أن مفتاح التشغيل في وضع OFF (إيقاف التشغيل). قد يؤدي بدء التشغيل غير المقصود إلى حدوث إصابة.



## تركيب الجلاخة

1. قم بتعليم مواضع فتحات التركيب الأربعة المتاحة في قاعدة الأداة على سطح العمل.
2. قم بثقب فتحات ذات مقاس مناسب في كل موضع من تلك المواضع المعلمة.

## المفتاح

المفتاح موجود على مقدمة الجلاخة، في القاعدة. لتشغيل الأداة، اضغط على جانب مفتاح التبديل في الجانب العلوي، وهو مميز بالرقم «1». لإيقاف تشغيل الجلاخة، حرر الجانب السفلي من مفتاح التبديل، المميز بالرقم «0».

## تغيير الملحقات (شكل 4)



تحذير: لا تستخدم أي أسطوانات تجليخ تالفة.

1. قم بإزالة غطاء الواقي (و) من خلال فك (وليس إزالة) البراغي الثلاثة (ح).
2. قم بإزالة صامولة الربط (هـ) باستخدام مفتاح مبادعة.
3. قم بإزالة شفة الربط (ز) واسطوانة التجليخ.
4. يتم تركيب اسطوانة التجليخ الجديدة بترتيب عكسي.
5. قم بتشغيل الأداة ودعها تعمل بدون حمل لمدة دقيقة من أجل فحص الأداة والتحقق من عدم وجود شقوق بها.

## الصيانة

تم تصميم الأداة الكهربائية DEWALT الخاصة بك للعمل خلال فترة زمنية طويلة مع أدنى حد من الصيانة. يعتمد التشغيل المرضي المتواصل على العناية الملائمة بالأداة وتنظيفها بشكل منتظم.



تحذير: لخفض خطر التعرض للإصابة، قم بإيقاف تشغيل الوحدة، وفصل الماكينة من مصدر الطاقة قبل تركيب الملحقات وفكها، وقبل ضبط أو تغيير الإعدادات، أو عند إجراء الإصلاحات. تأكد من أن مفتاح التشغيل في وضع OFF (إيقاف التشغيل). قد يؤدي بدء التشغيل غير المقصود إلى حدوث إصابة.



## التشحيم

لا تحتاج الأداة الكهربائية الخاصة بك إلى أي تشحيم إضافي.



## التنظيف

تحذير: قم بنفخ الأتربة والغبار خارج التجويف الرئيسي بواسطة الهواء الجاف عدد أكبر من المرات في حال مشاهدة تجمع الأتربة بداخل المنافذ الهوائية وحولها. قم بارتداء واقي العين المعتمد وكمامة الأتربة المعتمدة عند تنفيذ هذا الإجراء.



تحذير: لا تقم مطلقاً باستخدام مذيبات أو أي مواد كيميائية قاسية أخرى لتنظيف الأجزاء غير المعدنية بالأداة، إذ قد تضعف هذه المواد الكيميائية من المواد المستخدمة في هذه الأجزاء. استخدم قطعة قماش مبللة بالماء والصابون الخفيف فقط. لا تسمح قط بدخول أي سائل إلى الأداة، ولا تقم مطلقاً بغمر أي جزء من الأداة في السائل.

3. ضع الأداة على سطح العمل وأدخل مسمار سداسي الرأس 6 مم مع حلقة عبر كل فتحة تركيب في القاعدة وفي كل فتحة ثقب من الفتحات التي تم ثقبها في سطح العمل.
4. ضع صامولة فوق كل مسمار، وقم ربط الصواميل بإحكام.

## تركيب الواقي ضد الشرر (الشكل 2)

يوفر الواقي ضد الشرر حماية إضافية ضد الشرر ويجب أن يتم استخدامه متى أمكن ذلك.

ملاحظة: لم يتم تصميم الواقي ضد الشرر ليحل محل نظارات السلامة.

1. فك البرغي (د) قليلاً (لا تقم بإزالته).
2. قم بإزلاق الواقي ضد الشرر (أ) على الدعامة.
3. ضع الواقي ضد الشرر على مسافة حوالي 2 مم من اسطوانة التجليخ. اربط البرغي (د).

ملاحظة: قم دائماً بفحص المسافة بين واقي الشرر واسطوانة التجليخ واضبطها، إذا لزم الأمر. استبدل اسطوانة التجليخ إذا لم يعد بالإمكان ضبط الواقي ضد الشرر (أ) على الحد الأقصى للمسافة وهو 2 مم.

## تركيب مسند الأداة (الشكل 3)



تحذير: استخدم الحلقات والبراغي المرفقة. يمكن أن تؤدي البراغي الأطول إلى إعاقة حركة اسطوانة التجليخ.

1. استخدم البراغي والحلقات والمبادعات وصواميل الربط المرفقة لتثبيت مسند الأداة (ج) في مكانه.
2. ضع مسند الأداة على مسافة حوالي 2 مم من اسطوانة التجليخ. قم دائماً بفحص المسافة بين مسند الأداة (ج) واسطوانة التجليخ واضبطها، إذا لزم الأمر.

## التشغيل

### تعليمات الاستخدام



تحذير: التزم دوماً بتعليمات الأمان واللوائح المعمول بها. تحذير: لخفض خطر التعرض للإصابة، قم بإيقاف تشغيل الوحدة، وفصل الماكينة من مصدر الطاقة قبل تركيب الملحقات وفكها، وقبل ضبط أو تغيير الإعدادات، أو عند إجراء الإصلاحات. تأكد من أن مفتاح التشغيل في وضع OFF (إيقاف التشغيل). قد يؤدي بدء التشغيل غير المقصود إلى حدوث إصابة.



تحذير: لا تستخدم جلاخة التضد إذا لم يكن قد تم تثبيتها بإحكام على سطح العمل أو على سطح صلب. قبل تشغيل الجلاخة، ارتد نظارات السلامة.

قم بتشغيل الجلاخة واتركها تصل إلى السرعة القصوى (2950 دورة لكل دقيقة). امسك القطعة المطلوب العمل عليها بإحكام أمام مسند الأداة. امسك القطع الصغيرة للغاية بالكمامة أو بأي قامطات أخرى مناسبة. قم بتمرير القطع بشكل سلسل ومتسق على اسطوانة التجليخ. حرك القطع ببطء وتجنب انحسار القطعة في الاسطوانة. أثناء تباطؤ الاسطوانة، يجب أن تحرر الضغط بشكل تدريجي لإتاحة الفرصة للاسطوانة للعودة إلى السرعة القصوى. لا تقم بالتجليخ إلا على وجه اسطوانة التجليخ ولا تقم بالتجليخ على جانبها مطلقاً. (بعض الاسطوانات مصممة للتجليخ على الجانب ويظهر ذلك في أوراق التعليمات الخاصة بها).

## الملحقات الاختيارية

تحذير: نظراً لأن الملحقات، بخلاف تلك التي اعتمدها DEWALT، لم تخضع للاختبار مع هذا المنتج، فإن استخدام مثل هذه الملحقات مع الأداة قد يشكل خطورة. لتقليل خطر وقوع إصابة، يجب استخدام ملحقات DEWALT الموصى بها فقط مع هذا المنتج.



استشر وكيلك لمعرفة المزيد من المعلومات حول الملحقات الملائمة.

## حماية البيئة

تجميع منفصل. يجب عدم التخلص من هذا المنتج في النفايات المنزلية العادية.



إذا احتجت في أحد الأيام إلى استبدال منتج DEWALT الخاص بك، أو لم تعد هناك حاجة لاستخدامه، فلا تتخلص منه في النفايات المنزلية. اجعل هذا المنتج متوفراً للتجميع المنفصل.

التجميع المنفصل للمنتجات والعبوات المستهلكة يتيح إعادة تدوير المواد واستخدامها مرة أخرى. إعادة استخدام المواد المعاد تدويرها يساعد على منع التلوث البيئي وتقليل الطلب على المواد الخام.



قد توفر القوانين المحلية أماكن تجميع منفصلة للمنتجات الكهربائية عن النفايات المنزلية، وفي مواقع النفايات البلدية أو بواسطة بائع التجزئة عند رائك لمنتج جديد.

تقدم ركة DEWALT مكاناً مخصصاً لتجميع وإعادة تدوير منتجات DEWALT فور بلوغها نهاية عمر التشغيل. للاستفادة من هذه الخدمة، الرجاء إعادة المنتج الخاص بك إلى وكيل إصلاح معتمد والذ سيقيم بتجميعه نيابة عنك.

بإمكانك التعرف على موقع أقرب وكيل إصلاح معتمد في منطقتك من خلال الاتصال بمكتب DEWALT المحلي على العنوان المحدد في هذا الدليل. بدلاً من ذلك، تتوفر قائمة من وكلاء إصلاح معتمدين تابعين لـ DEWALT مع بياناتهم التفصيلية الكاملة لخدمة ما بعد البيع وجهات الاتصال المتوفرة على الإنترنت عبر الموقع الإلكتروني.

[www.2helpU.com](http://www.2helpU.com)



<b>Afghanistan</b>	Ariana Hafiz Zabi Co. Ltd. Dahan Bagh Squire Karte Ariana, Kabul, Afghanistan	info@arianahafiz.com	Tel: 93-0-799331079 Fax: 93-0-70007576 / 93-0-799331079
<b>Algeria</b>	Sarl Outillage Corporation 08, Rue Med Boudiaf (ex TELLA Achen) Cheraga, Alger	hakim.merdjadi@outillage-dz.com lyes@outillage-dz.com Mali.faiza@outillage-dz.com; sidahmed@outillage-dz.com	Tel: 213-0-21375130 213-0-21375131 Fax: 213-0-21369667
<b>Angola</b>	Angoferraria, Lda. Rua Robert Shields, nº 61, Luanda, Angola	angoferraria@gmail.com sequiera.angoferraria@gmail.com	Tel: 244-222-395837 / 244-222-395034 Fax: 244-222-394790
<b>Azerbaijan</b>	Royalton Holdings Ltd. 41 Khagani St. Apt. 47 AZ1001 Baku- Azerbaijan	jai@royaltonholdings.com office@royaltonholdings.com	Tel: 994-12-4935544 Fax: 994-12-5980378
<b>Egypt</b>	ElFarab S.A.E. 15-Nabil El Wakkad Street, Dokki, Giza, Egypt	elfarab@elfarab.com adel.ezzat@elfarab.com mahmoud.elhosseiny@elfarab.com	Tel: 202-37603946 Fax: 202-33352796
<b>Ethiopia</b>	Seif Tewfik Sherif Arada Sub City, Kebele 01/02, Global Insurance Bldg., 2nd Flr., Room 43, P.O. Box 2525, Addis Ababa	seif@ethionet.et nawanag@ethionet.et	Tel: 251-11-1563968 251-11-1563969 Fax: 251-11-1558009
<b>Iraq</b>	Al-Sard Co. for General Trading Ltd Jbara Bldg. 3Flr. Al Rasheed St., Baghdad, Iraq	dewalt.service@yahoo.com	Tel: 964-18184102
<b>Jordan</b>	Amman West Stores-Bashiti 210 Garden St. Tla'a Ali, P.O. Box 1564 Tla Ali Amman 11953, Jordan	ali@bashitstores.com yousef@bashitstores.com	Tel: 962-6-5350009 Fax: 962-6-5350012
<b>Kenya</b>	Dextron Tools Ltd. P.O. Box 20121-00200, Shariff House, Kimathi Street, Nairobi	info@alibhaishariff.co.ke dextron@alibhaishariff.co.ke	Tel: 254-20-6905000 254-20-2358021 Fax: 254-20-6905111 / 254-20-6905112
<b>Lebanon</b>	Est. Shaya & Azar S.A.R.L. Boulevard Jdeideh - Mar Takla - Bouchrieh . P.O. Box 90545, Jdeideh. Beirut - Lebanon	shayazar@dm.net.lb	Tel: 961 1 872305 961 1 872306 Fax: 961 1 872303
<b>Libya</b>	North Africa Trading ( El Ghoul Brothers) P.O. Box 348, 7 October Street 11 Benghazi	maryam_farooq2003@yahoo.com nagte@eim.ae dewalt_libya@yahoo.com	Tel: 218-061-3383994 Fax: 218-092-7640688
	North Africa Trading ( El Ghoul Brothers) AlBarniq DeWALT Center, Mokhazin-elsukar St. ElFallah, Tripoli	dewalt_libya@yahoo.com	Tel: 218-021-3606430 Fax: 218-092-6514813
	North Africa Trading ( El Ghoul Brothers) AlHilal Service Center Tawergha St., Misurata		Tel: 218-091-3221408
<b>Mauritius</b>	Robert Le Marie Limited Old Moka Road, Bell Village, P.O. Box 161, Port Louis	a.blackburn.rm@rmgroup.mu jm.pierrelouis.rm@rmgroup.mu	Tel: 230-212 1865 230-212 2847 Fax: 230-2080843
<b>Morocco</b>	Ets Louis Guillaud & Cie 31, Rue Pierre Parent, Casablanca - 21000	boumadiane.azedine@elg.ma doukkail.marouane@elg.ma	Tel: 522-301446 / 305971 / 317815 / 315576 Fax: 522-444518 / 317888
<b>Nigeria</b>	Meridian Power Tools Ltd. Gr. Floor, #1 Alhaji Masha Rd, Next to Teslim Balogun Stadium, Near National Stadium Surulere, Lagos, Nigeria	braj@meridian-nigeria.com	Tel: 234-1-7740431 234-1-7740410 Fax: 234-1-7913798
<b>Pakistan</b>	Northern Toolings (Pvt) Ltd.-Lahore 86- Railway Road, Lahore - 7 Pakistan	zhayee@northern.pk import@northern.pk sales@northern.pk	Tel: 92-423-7651220 92-423-7641675 Fax: 92-423-7641674
	Northern Toolings (Pvt) Ltd.-Karachi 224-231 Industrial Town Plaza, Shahrah-e-Liaqat, Karachi, Pakistan	karachibr@northern.pk	Tel: 92-213-2465305 92-213-2465307 Fax: 92-213-2465301
	Northern Toolings (Pvt) Ltd.-Taxila Al-Rehman Plaza, Opposite Tehsil Court, Faisal Shaheed Road, Taxila	taxilabr@northern.pk	Tel: 92-51-4545811 Fax: 92-51-4544194
<b>South Africa</b>	Benray Tool Wholesalers C.C. 91 Turfontein Road, Stafford, Johannesburg, 2001 P.O. Box 260037 EXCOM 2023, South Africa	dewaltservice@benray.co.za zain@benray.co.za shafiq@benray.co.za	Tel: 27-11-6838350 Fax: 27-11-6837456
<b>Tanzania</b>	General Motors Investment Ltd. 14 Vingunguti-Nyerere Road, P.O.Box 16541, Dar es Salaam, Tanzania	ezra@gmi-tz.com info@gmi-tz.com chiwelesa@yahoo.com	Tel: 255-22-2865022 / 2862661 / 2862671 / 2862659 Fax: 255-22-2862667
<b>Tunisia</b>	Ets. Mohamed Ghorbel 03 Rue 8603 Chargaia I Tunis. Postal Code 2035	slim.ghorbel@gnet.tn moh.ghorbel@gnet.tn mourad.ghorbel@gnet.tn	Tel: 216-71794248 216-71793848 Fax: 216-71770759
<b>Uganda</b>	The Building Center (u) Ltd. 52 Station Road, Kitgum House, P.O. Box 7436 Kampala, Uganda	tbc@africaonline.co.ug chris@tbcu.co.ug	Tel: 256-041-4234567 256-041-4259754 Fax: 256-041-4236413
<b>Yemen</b>	Middle East Trading Co. (METCO) 5th Flr.Hayel Saeed Anam Bldg. Al-Mugamma St. Taiz, Yemen	tamer.metco@gmail.com tamer@metcotrading.com metco@metcotrading.com sami@metcotrading.com	Tel: 967-4-213455 Fax: 967-4-219869
	Middle East Trading Co. (METCO) Mualla Dakka, Aden	tamer.metco@gmail.com tamer@metcotrading.com metco@metcotrading.com	Tel: 967-2-222670 Fax: 967-2-222670
	Middle East Trading Co. (METCO) Hayel st., Sana'a, Yemen	tamer.metco@gmail.com tamer@metcotrading.com metco@metcotrading.com	Tel: 967-1-204201 Fax: 967-1-204204

<b>UAE</b>	Black & Decker (Overseas) GmbH P.O. Box 5420, Dubai	service.mea@blackdecker.com	Tel: 971-4 8127400 / 8127406 Fax: 971-4 2822765	
	Ideal Star Workshop Eqpt. Trading LLC P.O. Box 37116, Al Quoz, Dubai	idealeq@emirates.net.ae	Tel: 971-4 3474160 Fax: 971-4 3474157	
	Alebrah Engineering Service P.O. Box 78954, Al Qusais, Dubai	alebrah@eim.ae	Tel: 971-4 2850044 Fax: 971-4 2844802	
	Burj Al Madeena Industrial Area No. 1, opp. Pakistani Masjid P.O. Box 37635, Sharjah	dewaltuae@hotmail.com	Tel: 971-6 5337747 Fax: 971-6 5337719	
	McCoy Middle East LLC P.O. Box 25793, Sharjah	mccoy@emirates.net.ae	Tel: 971-6 5395931 Fax: 971-6 5395932	
	McCoy Middle East LLC P.O. Box 10584, Ras Al Khaimah	mccoyrak@gmail.com	Tel: 971-7 2277095 Fax: 971-7 2277096	
	Al Sukoon Gen. Trdg. Co. LLC P.O. Box 2975, Ajman	sukoon@eim.ae	Tel: 971-6 7435725 / 7438317 Fax: 971-6 7437350	
	Zillion Equipment and Spare Parts Trading LLC P.O. Box 19740, opp. Bin Sadal / Trimix Redymix Sanaiya, Al Ain	zilliontrdg@gmail.com	Tel: 971-3 7216690 Fax: 971-3 7216103	
	Light House Electrical, Abu Dhabi Branch P.O. Box 120, Abu Dhabi	dewalt_lhe@hotmail.com	Tel: 971-2 6726131 Fax: 971-2 6720667	
	Light House Electrical, Musaffah Branch P.O. Box 120, Abu Dhabi	dewalt_lhe@hotmail.com	Tel: 971-2 5548315 Fax: 971-2 5540461	
	<b>Bahrain</b>	Alfouz Services Co. WLL P.O. Box 26562, Tubli, Manama	alfouz@batelco.com.bh	Tel: 973 17783562 / 17879987 Fax: 973 17783479
		Kavalani & Sons W.L.L. P.O. Box 71, Sitra, Manama	info@kavalani.com pradeep@kavalani.com	Tel: 973 17732888 Fax: 973 17737379
		<b>Kuwait</b>	Al Omar Technical Co. P.O. Box 4062, Safat 13041, Kuwait	alexotc@usa.net
	Fawaz Al Zayani Establishment P.O. Box 42426, Shop No.18, Al Hurnaizi Commercial Complex, Khalifa Al Jassim, Shuwaikh		dewaltkuwait@hotmail.com	Tel: 965 24828710 Fax: 965 24828716
Fawaz Al Zayani Establishment Fahaheel Industrial Area, Main St., Sanaya	dewaltkuwait@hotmail.com		Tel: 965 23925830 Fax: 965 24828716	
<b>Oman</b>	Al Jizzi Company LLC P.O. Box 1704, P.C. 112, Ruwi	aljizied@omantel.net.om jizzi10@omantel.net.om	Tel: 968 24832618 / 24835153 Fax: 968 24831334 / 24836460	
	Al Hassan Technical & Construction Supplies Co. LLC P.O. Box 1948, P.C. 112, Ruwi	hamriya.sr@al-hassan.com abr.ar.h@al-hassan.com	Tel: 968 24810575 / 24837054 Fax: 968 24810287 / 24833080	
	Oman Hardware Co. LLC P.O. Box 635, Ruwi Postal Code 112	omanhard@omantel.net.om	Tel: 968 24815131 Fax: 968 24816491	
	Khimji Ramdas P.O. Box 19, Post Code 100, Ghala, Muscat	bilal.m@khimjiramdas.com	Tel: 968 24595906/ 907 Fax: 968 24852752	
	<b>Qatar</b>	Teyseer Industrial Supplies & Services Co. WLL 55, Al Wakalat St. (Between St. 18 & 19) Salwa Industrial Area, P.O. Box 40523 Doha	manish@tissco-qatar.com tool.service@tissco-qatar.com	Tel: 974 4581536 Fax: 974 4682024
Shaheen Electrical Works & Trading Co. WLL Gate 34, St. 44 Industrial Area P.O. Box 9756, Doha		shaheenelc@gmail.com	Tel: 974 460 02 30 / 460 05 25 Fax: 974 460 13 38	
<b>KSA</b>		Industrial Material Organization (IMO) P.O. Box 623, Rail Street, Riyadh	service@imo.com.sa	Tel: 966-1 4028010 Ext. 26 Tel: 966-1 8001245757 Fax: 966-1 4037970
	Fawaz Ebrahim Al Zayani Trading Est. P.O. Box 76026, Al Raka : 31952	dewaltdammam@hotmail.com	Tel: 966-3 8140914 Fax: 966-3 8140824	
	MSS (Al-Mojil Supply & Services) P.O. Box 450, Jubail 31951	mssjubail@almojilservices.com alex.chang@almojilservices.com	Tel: 966-3 3612850 / 3624487 Tel: 966-3 3621729 Fax: 966-3 3623589 / 3620783	
	Opp-Gulf Bridge Library & Riyadh House			
	EAC (Al Yousef Contg. & Trdg. Est.) P.O. Box 30377, Jeddah -21477	golamkibria77@yahoo.com	Tel: 966-2 6519912 Fax: 966-2 6511153	
	Mohamed Ahmed Bin Aff Est. P.O. Box 530, Yanbu, Al Bahr	binaffyanbu@hotmail.com	Tel: 966-4 3222626 / 3228867 Fax: 966-4 3222210	
	Garziz Trading for Bldg Mat & Decoration P.O. Box 3364, Madina	agarziz@yahoo.com	Tel: 966-4 826 14 90 / 822 76 36 Fax: 966-4 826 57 41	
	Sultan Garment Factory (RSC) P.O. Box 29912, Riyadh 11467	rscservice@digl.net.sa	Tel: 966-1 4055148 / 4042889 Fax: 966-1 4055148	
	Al Bawardi Tools & Hardware P.O. Box 112, Dammam 31411	asattar@albawardi.com nibanez@albawardi.com	Tel: 966-3 8330780 Ext. 24 Tel: 966-3 8348585 Ext. 24 Fax: 966-3 8336303	
	Al Bawardi Tools & Hardware P.O. Box 68, Riyadh 11411	rbaltao@albawardi.com asamad@albawardi.com	Tel: 966-1 4484999 Fax: 966-3 4487877	
	Al Bawardi Tools & Hardware P.O. Box 16905, Jeddah 21474	sharadji@albawardi.com fgaber@albawardi.com	Tel: 966-2 6444547 / 6439035 Tel: 966-2 6456095 Fax: 966-2 6439024	



## Free Manuals Download Website

<http://myh66.com>

<http://usermanuals.us>

<http://www.somanuals.com>

<http://www.4manuals.cc>

<http://www.manual-lib.com>

<http://www.404manual.com>

<http://www.luxmanual.com>

<http://aubethermostatmanual.com>

Golf course search by state

<http://golfingnear.com>

Email search by domain

<http://emailbydomain.com>

Auto manuals search

<http://auto.somanuals.com>

TV manuals search

<http://tv.somanuals.com>