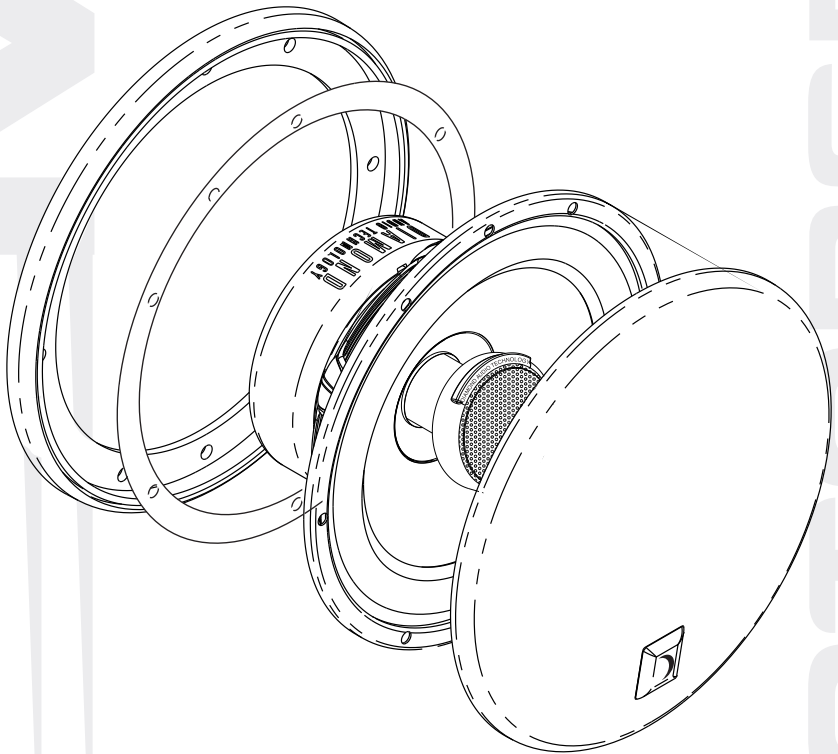




DIAMOND™

AUDIO TECHNOLOGY



M3 SERIES OWNER'S MANUAL

INTEGRATED SYSTEMS

M331i - M341i
M351i - M361i
M371i - M391i

COMPONENT SYSTEMS

M341
M351
M361



Dear Valued Customer,

Thank you for choosing Diamond M3 speakers. These speakers represent the latest advances in acoustic technology, and like all Diamond products are hand built and tested in our own factory, using the highest grade components and state of the art techniques. When installed properly they will provide many years of accurate sound reproduction.

Please keep in mind that prolonged exposure to sound pressure levels in excess of 100dB can cause permanent hearing loss. This high performance speaker system can exceed that level, so please exercise restraint in it's operation in order to preserve your ability to enjoy it's fidelity in the future.

Because of their flexible installation possibilities, please consider having your new speakers professionally installed by an authorized Diamond Audio Dealer. This will assure a clean and efficient installation, and extend your one year warranty to three years.

At Diamond, we strive to bring honest value and excellent quality to all of the speakers we build. By your purchase of this product you have joined the growing family of discerning listeners who demand only the best. Welcome!!

Sincerely,

Rikki Farr
Chairman, CEO
Diamond Audio Technology, Inc.

To learn more about the Diamond family, please visit our web site,
www.diamondaudio.com

FEATURES

- TEXTURED, CO-POLYMER CONES - micro texture improves high frequency response.
- PROPRIETARY FRAMES - heavy gauge steel for increased stiffness, low resonance.
- BUTYL RUBBER SURROUNDS - impervious to environmental degradation.
- ALUMINUM DOME TWEETERS - smooth audiophile response.
- DIAMOND AUDIO QUALITY - 3 year warranty with authorized dealer installation.
- BI-AMP CAPABLE CROSSOVERS - individually voiced, model specific crossover topology - configurable for active crossovers.

THIELE SMALL PARAMETERS

Parameter (unit)	M391i	M371i	M361i/M361	M351i/M351	M341i	M331i
Sensitivity (2.83V@1m) (dB)	91.5	91.0	91.0	90.5	89.5	88.0
Qts	0.65	0.54	0.46	0.51	0.60	0.66
Fs (Hz)	47	47	54	63	80	102
Vas (L)	31.7	23.5	12.9	8.3	3.7	1.4
Rdc (ohm)	3.2	3.0	3.2	3.5	3.2	3.4
Xmax (mm/N)	4.0	4.0	4.0	3.5	2.5	2.0
Impedance (ohm)	4	4	4	4	4	4
Power (nom/max) (Watt)	60/120	50/100	50/100	40/80	20/40	15/30

M3 INTEGRATED SYSTEMS

STANDARD CONNECTION

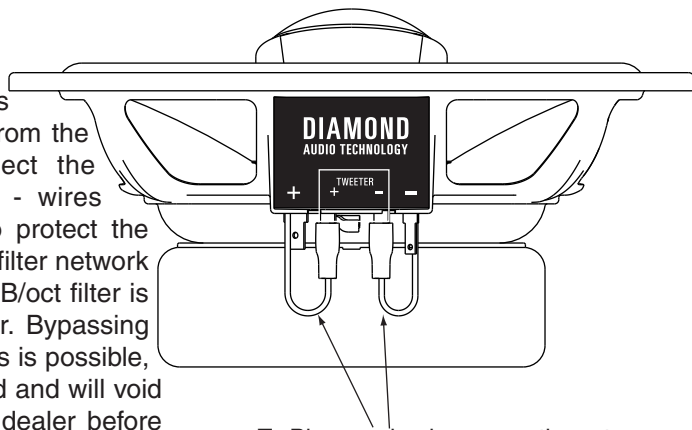
The M3 integrated systems are shipped configured for a single channel per speaker. To connect a standard single channel input simply connect the + and - wires to the two exposed terminals.

BI-AMPING

An exclusive and unique feature of the M3 integrated systems is the option to use separate amplifier channels to power the tweeter and mid-bass driver individually (bi-amping). This configuration allows an external active crossover to be used, enabling electronic crossover filter customizations, level matching and phase adjustments.

BI-AMP CONNECTION

To power the tweeter separately from the mid-bass driver, remove the two leads from the tweeter terminals and connect the tweeter amp channel + and - wires directly to these terminals. To protect the tweeter in all cases, a passive filter network consisting of a PTC and a 12dB/oct filter is always in-line with the tweeter. Bypassing this filter for special installations is possible, however it is not recommended and will void warranty. Please consult your dealer before attempting this.



To Bi-amp, simply remove these two connectors and connect tweeter amplifier.

INTEGRATED SYSTEMS - PARTS LIST

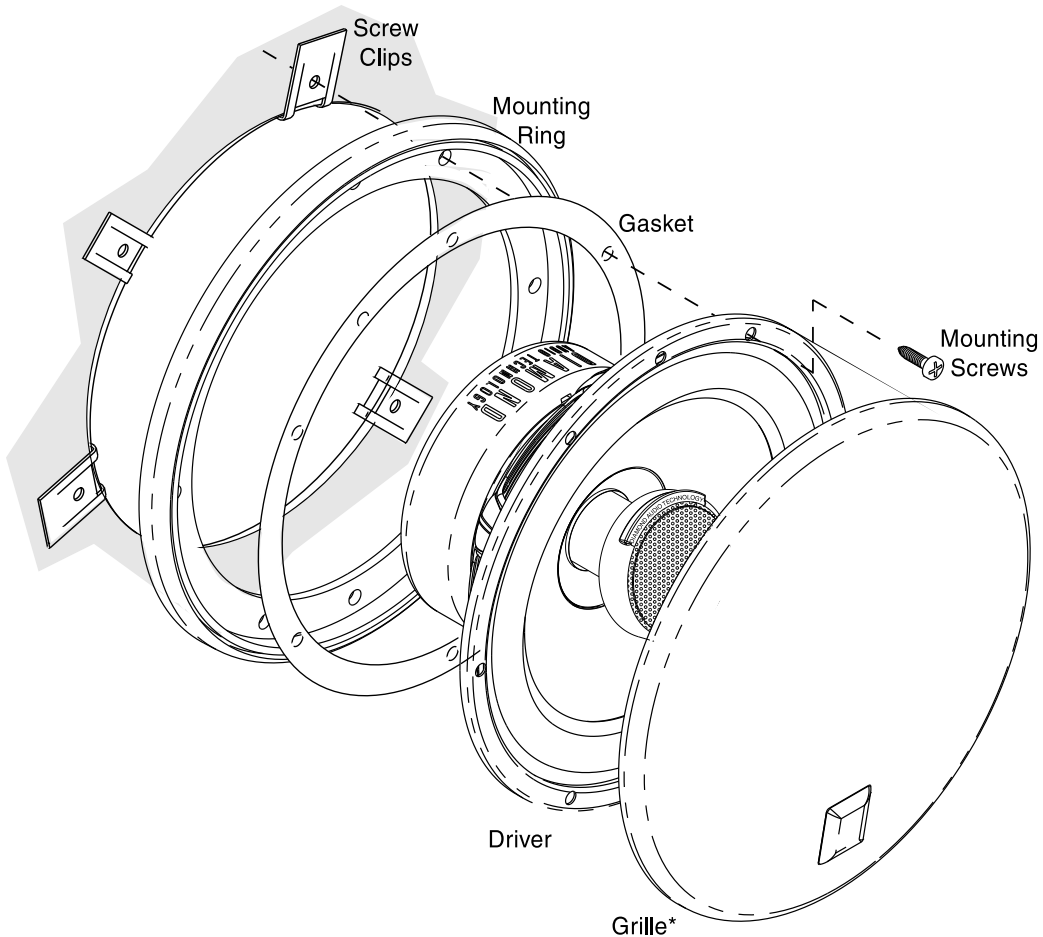
(M331i, M341i, M351i, M361i, M371i, M391i)

Each system contains:

- (2) M3 Speakers
- (2) M3 Grilles with Mount Ring*
- (2) Mounting Gaskets
- (1) Mounting hardware kit
- (2) 4x6 adaptors (M341i only)

ASSEMBLY

The drawing below shows the parts included and correct assembly of M3 integrated and M3 component midrange drivers. See opposite for separate tweeter installation and component system connection details.



*Grilles not included with M331i or M371i

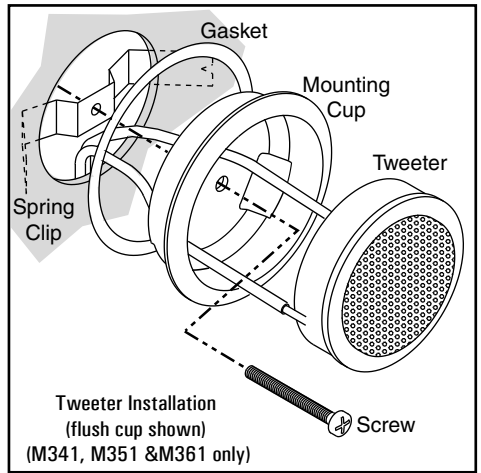
M3 COMPONENT SYSTEMS

COMPONENT SYSTEMS - PARTS LIST

(M341, M351, M361)

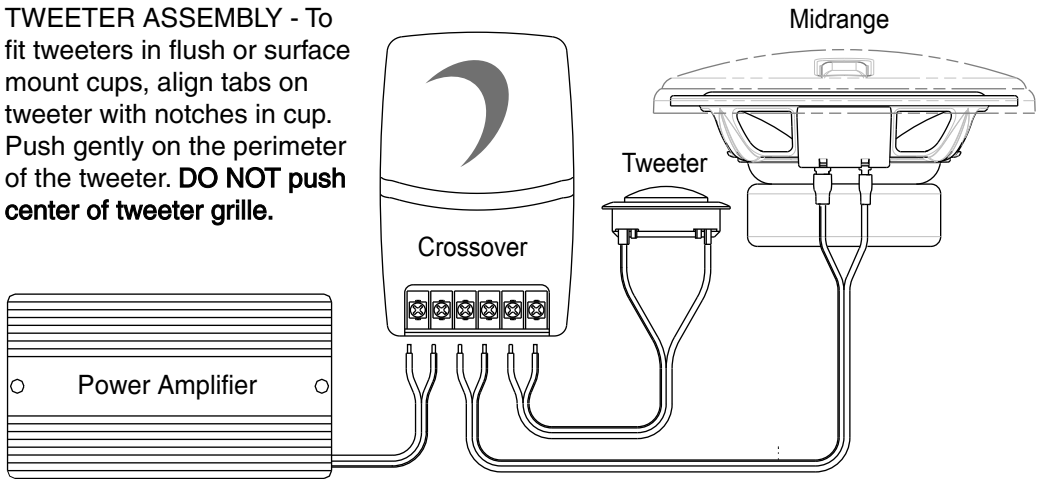
Each system contains:

- (2) M3 Speakers
- (2) M3 Grilles with Mounting Rings
- (2) Mounting Gaskets
- (2) M3 Crossovers
- (2) M3 Aluminum Dome Tweeters with Flush Mount cups
- (2) M3 Tweeter Surface Mount Cups
- (1) Speaker Mounting hardware kit
- (1) Tweeter Mounting hardware kit

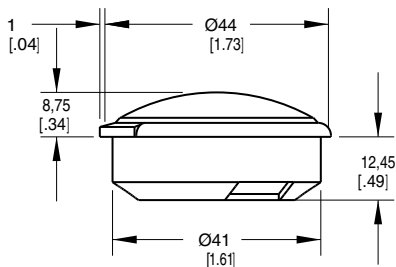


COMPONENT SYSTEMS - ASSEMBLY AND CONNECTION

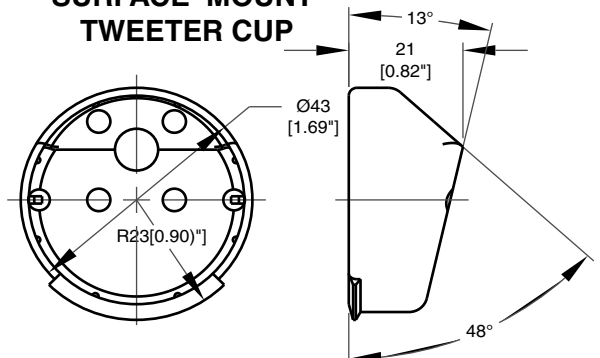
TWEETER ASSEMBLY - To fit tweeters in flush or surface mount cups, align tabs on tweeter with notches in cup. Push gently on the perimeter of the tweeter. **DO NOT push center of tweeter grille.**



TWEETER (IN FLUSH MOUNT CUP)

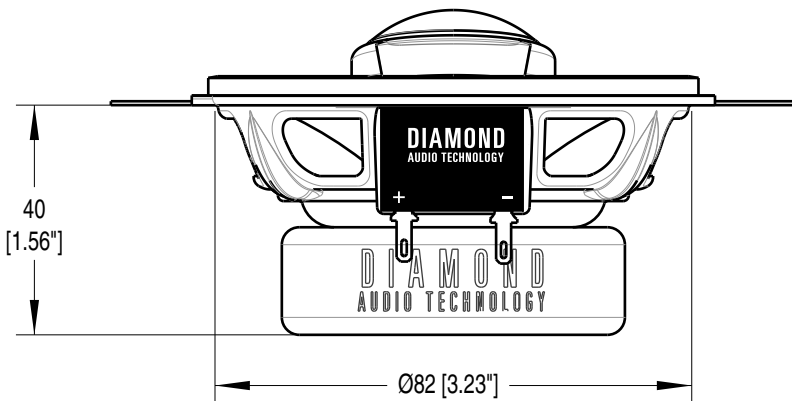
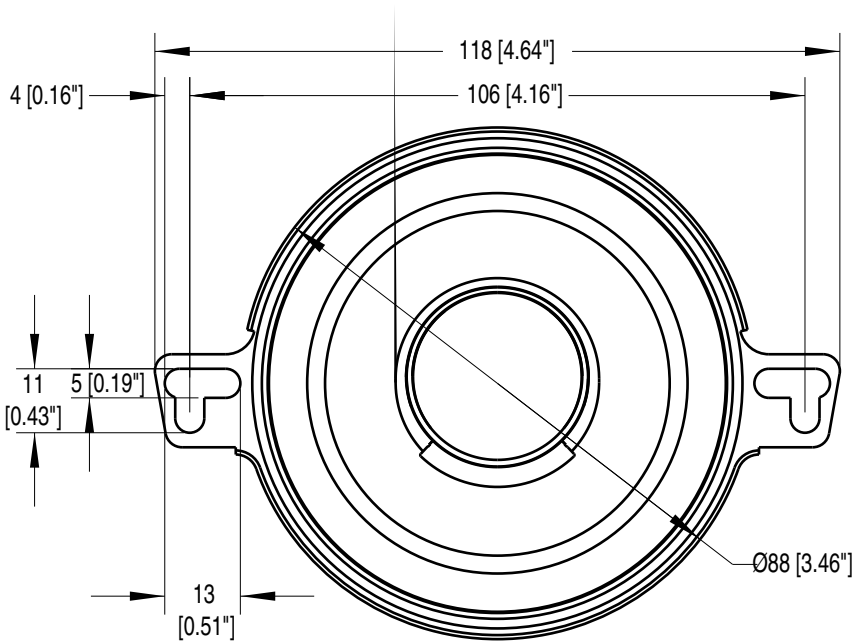


SURFACE MOUNT TWEETER CUP



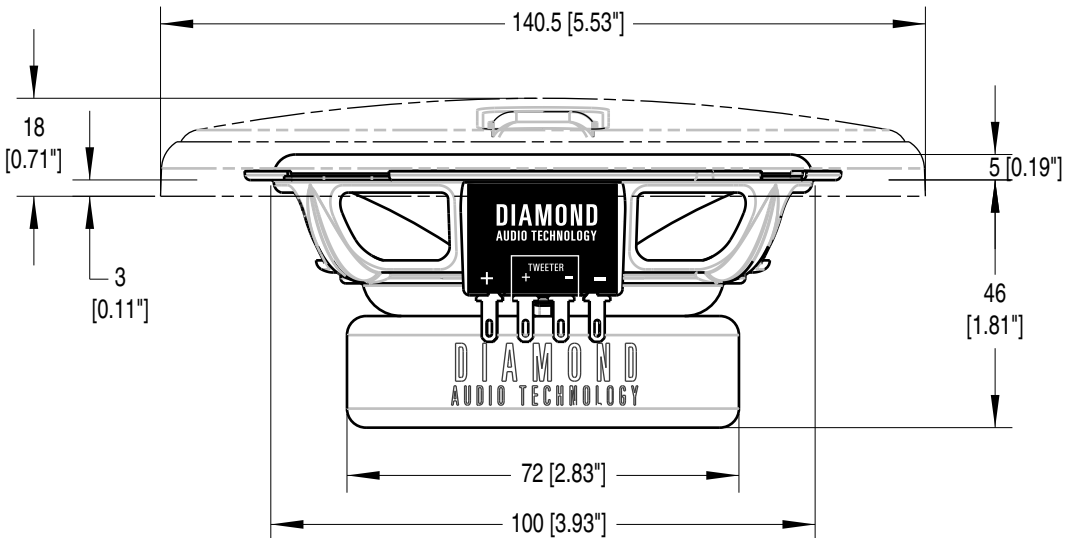
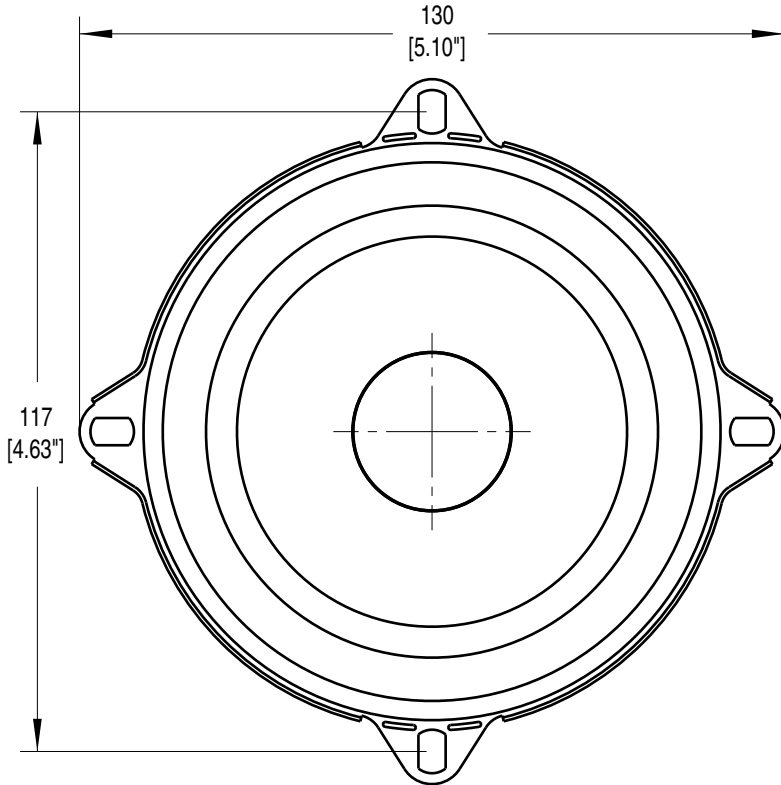
M331i

General dimensions in millimeters and [inches]. Not to scale.



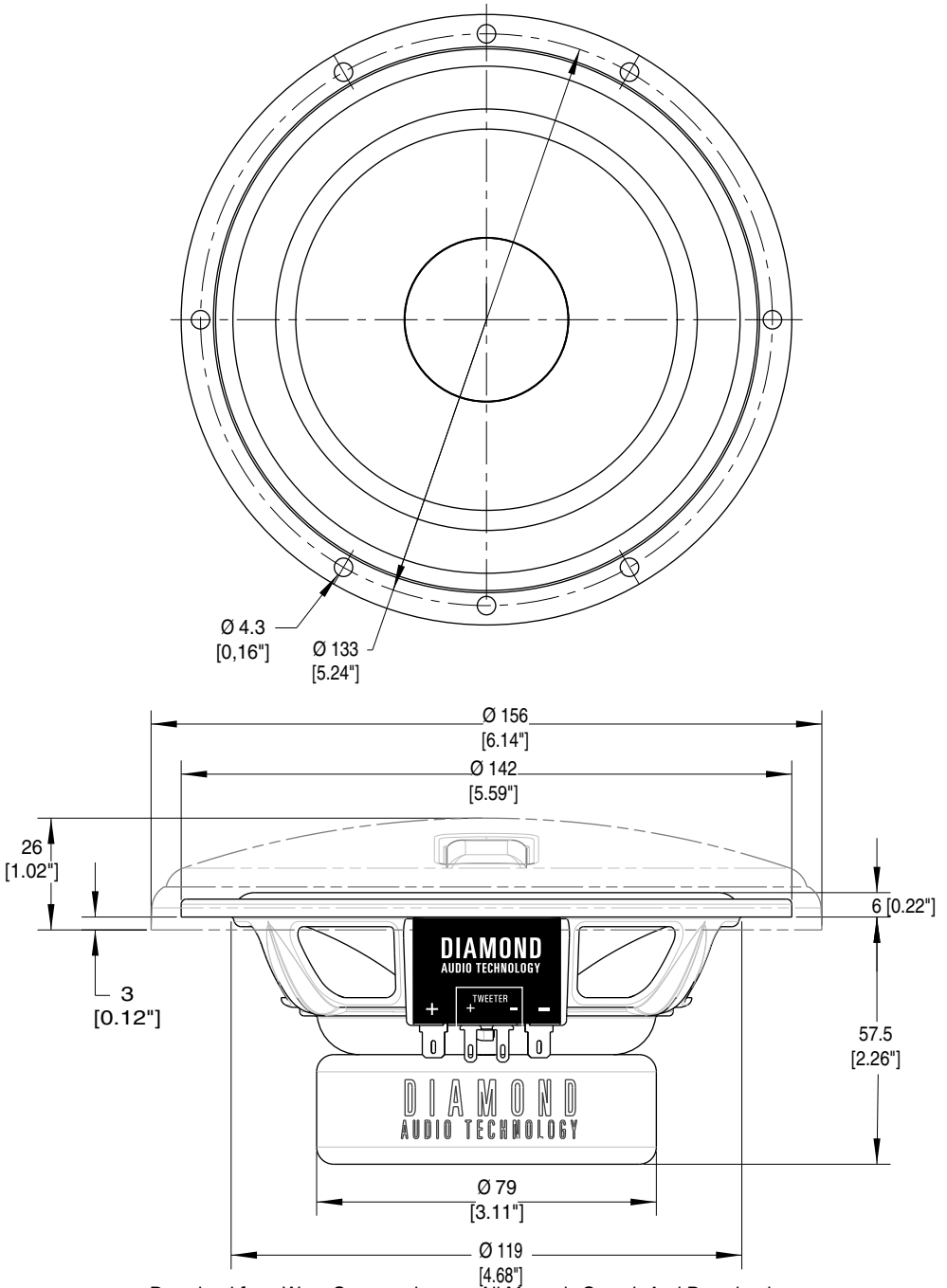
M341, M341i

General dimensions in millimeters and [inches]. Not to scale.



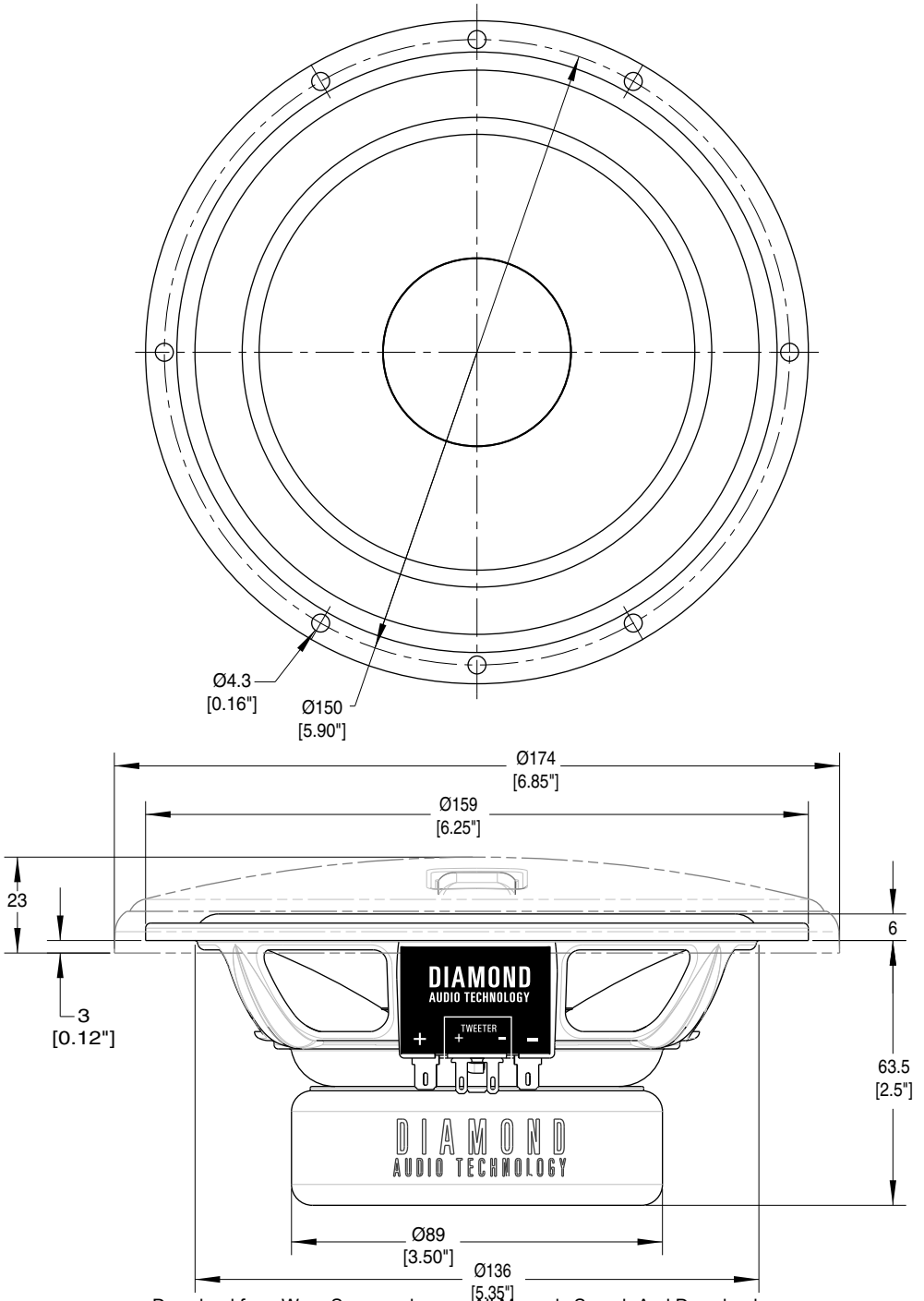
M351, M351i

General dimensions in millimeters and [inches]. Not to scale.



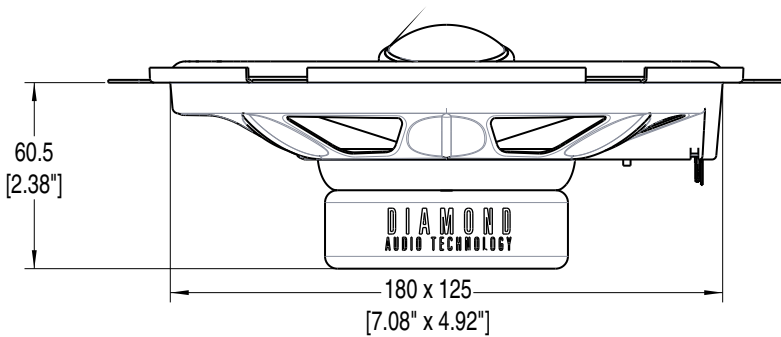
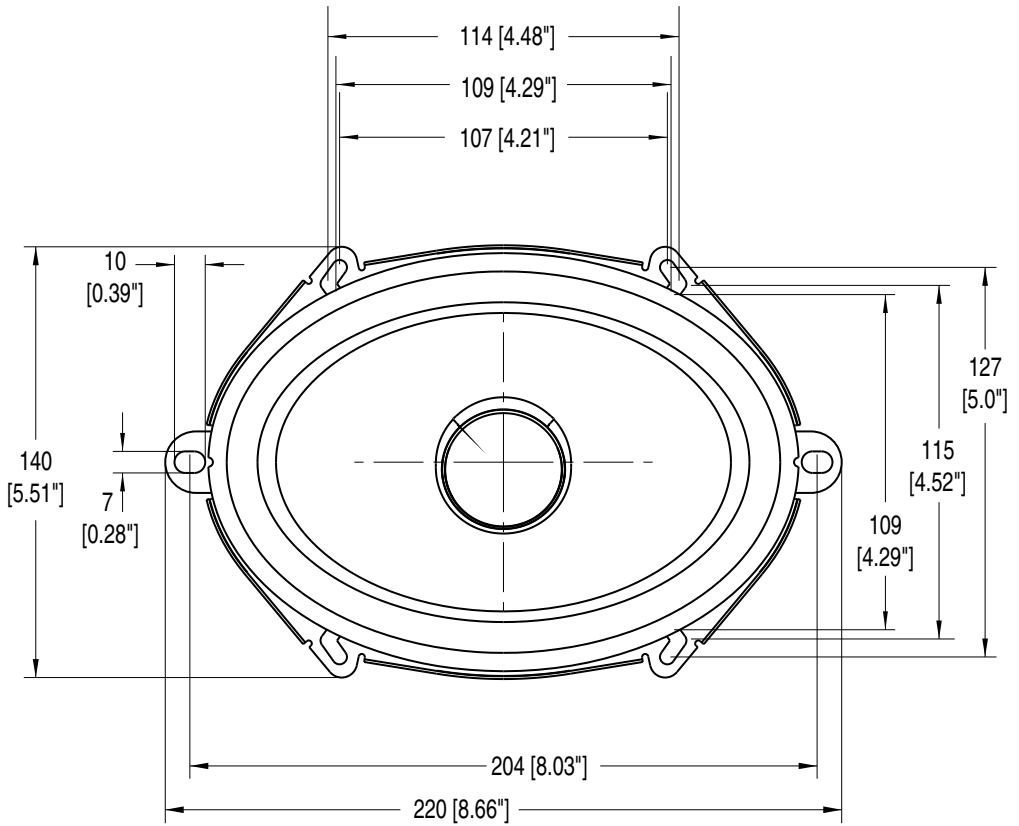
M361, M361i

General dimensions in millimeters and [inches]. Not to scale.



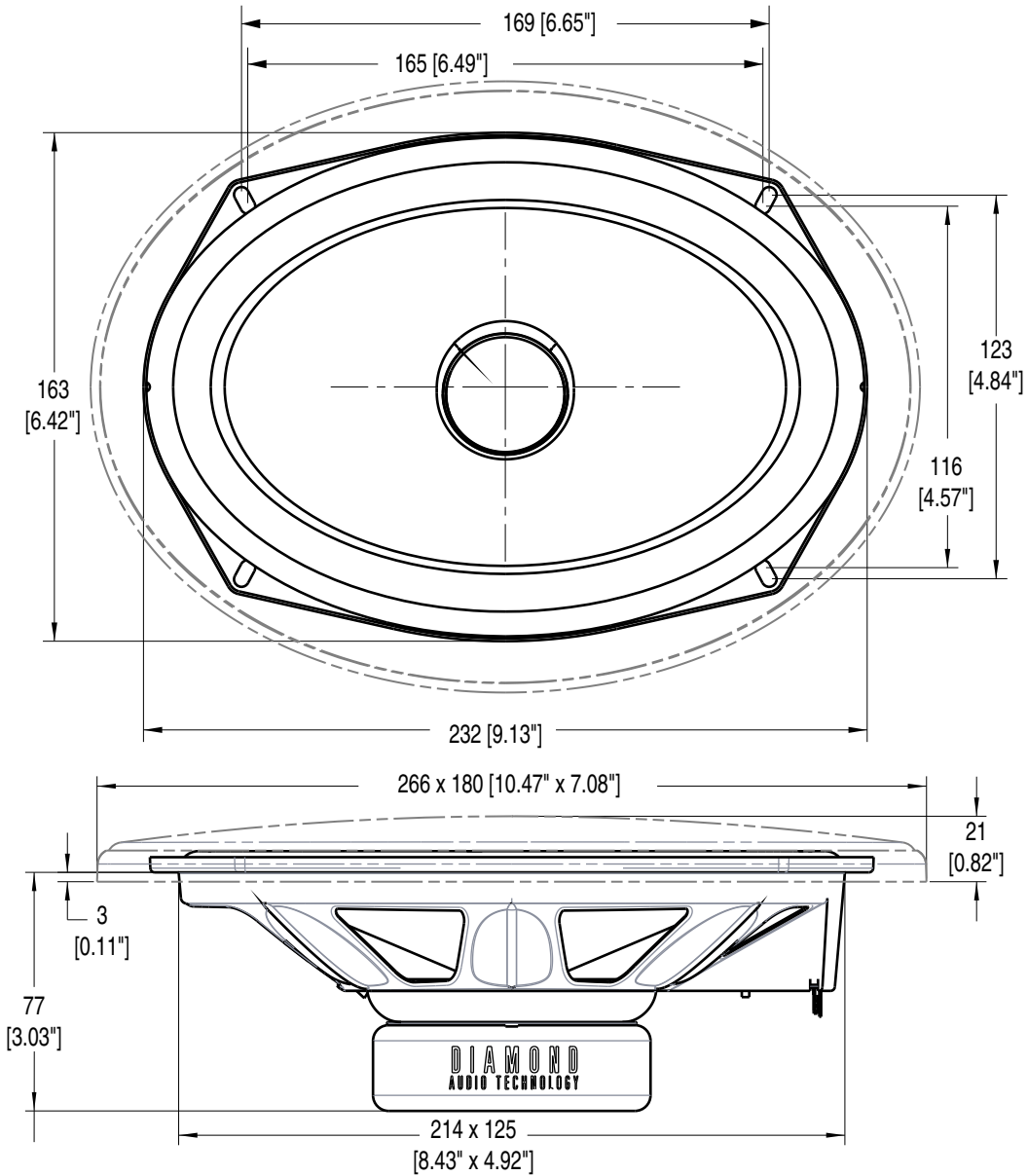
M371i

General dimensions in millimeters and [inches]. Not to scale.



M391i

General dimensions in millimeters and [inches]. Not to scale.



LIMITED WARRANTY STATEMENT

Diamond Audio Technology, Inc. (DAT) warrants all DAT products to be free of defects in material and workmanship for a period of one (1) year from the date of original purchase provided they are purchased from an authorized DAT retailer in the United States. However, the effective warranty period will be three (3) years if the products were purchased from and installed by an authorized DAT retailer.

WHAT IS COVERED: Parts and labor to effect repair or, at the sole discretion of DAT, replacement of either any malfunctioning or defective part(s) or the entire system should the system or any component part(s) thereof fail to perform as designed. Includes return freight via ground transportation to destinations within the United States.

WHAT IS NOT COVERED: Installation or setup and repair or replacement of the system or any parts thereof which, in DAT's judgment, fail or become damaged as a result of negligence, improper use, abuse, unauthorized modification or service, improper or inadequate packaging during shipment, installation by a non-authorized dealer, accident, or use for any purpose other than those for which this product was originally intended, or where the model's serial number has been removed, altered or defaced.

WHO IS COVERED: Original purchaser so long as they reside in the United States and can provide proof of the original date of purchase (e.g., store receipt from an authorized DAT retailer).

OUTSIDE THE UNITED STATES: Customers outside the United States should contact their local sales office to obtain information on prices, exchange unit availability, instructions, service and warranty/non-warranty repairs.

REPAIR OR REPLACEMENT UNDER THIS WARRANTY IS THE EXCLUSIVE REMEDY OF THE CONSUMER. DAT SHALL NOT BE LIABLE FOR ANY INCIDENTAL OR CONSEQUENTIAL DAMAGES FOR BREACH OR ANY EXPRESSED OR IMPLIED WARRANTY ON THIS PRODUCT. EXCEPT TO THE EXTENT PROHIBITED BY APPLICABLE LAW, ANY IMPLIED WARRANTY OF MERCHANTABILITY OR FITNESS FOR A PARTICULAR PURPOSE ON THIS PRODUCT IS LIMITED IN DURATION TO THE DURATION OF THIS WARRANTY.

Some states do not allow the elusion or limitation of incidental or consequential damages, or allow limitations on how long an implied warranty lasts, so the above limitations or exclusions may not apply to you. This warranty gives you specific legal rights and you may also have other rights that may vary from state to state.

HOW TO OBTAIN WARRANTY SERVICE: In the event a DAT product should require servicing you should (a) visit an authorized DAT retailer or (b) call the DAT Service Dept. at (310) 838 8750. To be eligible for warranty service within a three (3) year period, the accompanying receipt of original purchase from an authorized DAT retailer must specifically note that dealer installation was provided.

Product returned for repair/service must be properly packaged and clearly marked with the Return Authorization (RA) number issued by DAT. If the RA number is not clearly marked on the package or no RA number was issued by DAT, the product may be refused upon delivery. DAT does not assume responsibility for lost or misdirected product.

Diamond Audio Technology, Inc Head Office

3030 Pennsylvania Ave
Santa Monica
CA 90404 USA
Phone 888 222 9439
Fax 310 582 1502

Diamond Audio Technology, Inc Service Department

3975 Landmark St.
Culver City
CA 90232 USA
Phone 310 838 8750
Fax 310 838 8722

Diamond Audio Technology, Inc European Office

Halstead Chambers
Market Hill, Royston
Herts SG8 9JS England
Phone +44 (0)1763 248800
Fax +44 (0)1763 247722

Model _____ Serial # _____

You will be asked for this information when requesting service. Serial number can be found under rubber magnet boot.

Visit our web site, **www.diamondaudio.com** for more information.

Free Manuals Download Website

<http://myh66.com>

<http://usermanuals.us>

<http://www.somanuals.com>

<http://www.4manuals.cc>

<http://www.manual-lib.com>

<http://www.404manual.com>

<http://www.luxmanual.com>

<http://aubethermostatmanual.com>

Golf course search by state

<http://golfingnear.com>

Email search by domain

<http://emailbydomain.com>

Auto manuals search

<http://auto.somanuals.com>

TV manuals search

<http://tv.somanuals.com>