

Owner's Manual








Model
DF203A

IMPORTANT SAFETY INFORMATION: Always read this manual first before attempting to install or use this fireplace. For your safety, always comply with all warnings and safety instructions contained in this manual to prevent personal injury or property damage.

7209520100R02



Table of Contents

 Welcome & Congratulations	3
 IMPORTANT INSTRUCTIONS	4
 Fireplace Installation	7
 Operation	11
 Maintenance	13
 Warranty	15
 Replacement Parts	17

Always use a qualified technician or service agency to repair this stove.

! NOTE: Procedures and techniques that are considered important enough to emphasize.

⚠ CAUTION: Procedures and techniques which, if not carefully followed, will result in damage to the equipment.

⚠ WARNING: Procedures and techniques which, if not carefully followed, will expose the user to the risk of fire, serious injury, or death.

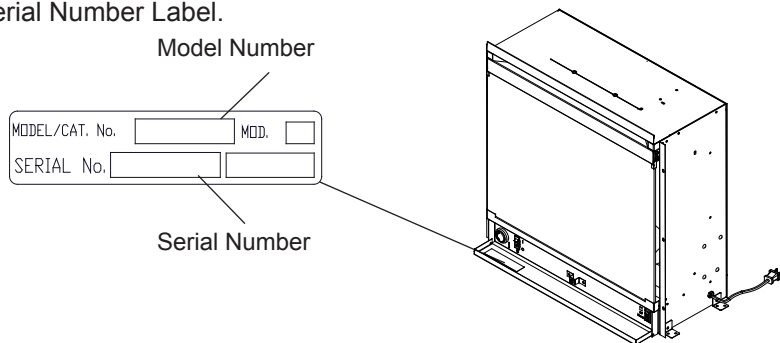
Welcome & Congratulations

Thank you and congratulations for choosing to purchase an electric fireplace from Electalog, the world leader in electric fireplaces.

Please carefully read and save these instructions.

⚠ CAUTION: Read all instructions and warnings carefully before starting installation. Failure to follow these instructions may result in a possible electric shock, fire hazard and will void the warranty.

Please record your model and serial numbers below for future reference: model and serial numbers can be found on the Model and Serial Number Label.



NO NEED TO RETURN TO THE STORE

Questions with operation or assembly? Require Parts Information?
Product Under Manufacturer's Warranty?

Contact us at:



www.dimplex.com/customer_support

For Troubleshooting and Technical Support

OR



Toll-Free 1-888-346-7539

Monday to Friday 8:00 a.m. to 4:30 p.m. EST

Please have your model number and product serial number ready. (See above)



IMPORTANT INSTRUCTIONS

- ① Read all instructions before using this heater.
- ② This heater is hot when in use. To avoid burns, do not let bare skin touch hot surfaces. The trim around the heater outlet becomes hot during heater operation. Keep combustible materials, such as furniture, pillows, bedding, papers, clothes, and curtains at least 3 feet (0.9 m) from the front of the heater and keep them away from the sides and rear.
- ③ Extreme caution is necessary when any heater is used by or near children or invalids and whenever the unit is left operating and unattended.
- ④ Always unplug the heater when not in use.
- ⑤ Do not operate any heater with a damaged cord or plug, or if the heater has malfunctioned, or if it has been dropped or damaged in any manner. Return heater to authorized service facility for examination, electrical or mechanical adjustment, or repair.
- ⑥ Do not use outdoors.
- ⑦ This heater is not intended for use in bathrooms, laundry areas and similar indoor locations. Never locate this heater where it may fall into a bathtub or other water container.
- ⑧ Do not run cord under carpeting. Do not cover cord with throw rugs, runners, or the like. Arrange cord away from traffic area and where it will not be tripped over.
- ⑨ To disconnect heater, turn controls to off, then remove plug from outlet.
- ⑩ Do not insert or allow foreign objects to enter any ventilation or exhaust opening as this may cause an electric shock or fire, or damage the heater.
- ⑪ To prevent a possible fire, do not block air intakes or exhaust in any manner. Do not use on



CAUTION
RISK OF ELECTRIC SHOCK
DO NOT OPEN
NO USER-SERVICEABLE PARTS INSIDE





IMPORTANT INSTRUCTIONS

soft surfaces, like a bed, where openings may become blocked.

⑫ All electrical heaters have hot and arcing or sparking parts inside. Do not use in areas where gasoline, paint, or flammable liquids are used or stored or where it will be exposed to flammable vapors.

⑬ Do not modify the heater. Use it only as described in this manual. Any other use not recommended by the manufacturer may cause fire, electric shock, or injury to persons.

⑭ To reduce the risk of electric shock, this heater has a polarized plug (one blade is wider than the other). This plug will fit in a polarized outlet only one way. If the plug does not fit fully in the outlet, reverse the plug. If it still does not fit, contact a qualified electrician to install the proper outlet. Do not change the plug in any way. Avoid the use of an extension cord. Extension cords may overheat and cause a risk of

fire. If you must use an extension cord, the cord must be No. 14 AWG minimum size and rated no less than 1875 Watts.

⑮ Do not burn wood or other materials in the Compact Fireplace.

⑯ Do not strike the front glass.

⑰ Always use a certified electrician should new circuits or outlets be required.

⑱ Always use properly grounded, fused and polarized outlets.

⑲ Disconnect all power supply before performing any cleaning, maintenance or relocation of the heater.

⑳ When transporting or storing the heater and cord, keep in a dry place, free from excessive vibration and store so as to avoid damage.

⚠ WARNING: To avoid overheating, do not cover heater.

SAVE THESE INSTRUCTIONS



IMPORTANT INSTRUCTIONS

! **NOTE:** This equipment has been tested and found to comply with the limits for Class B digital device, pursuant to part 15 of the FCC Rules. These limits are designed to provide reasonable protection against harmful interference in a residential installation. This equipment generates, uses and can radiate radio frequency energy and, if not installed and used in accordance with the instructions, may cause harmful interference to radio or television reception, which can be determined by turning the equipment off and on, the user is encouraged to try to correct the interference by one or more of the following measures:

- Reorient or relocate the receiving antenna.
- Increase the separation between the equipment and the receiver.
- Connect the equipment into an outlet on a circuit different from that to which the receiver is connected.

- Consult the dealer or an experienced radio/TV technician for help.

Operation is subject to the following two conditions: (1) this device may not cause interference and; (2) this device must accept any interference, including interference that may cause undesired operation of the device.

Fireplace Installation

Unpacking Instructions

The fireplace insert is packed with the front glass panel separated and uninstalled from the fireplace. Care must be taken to unpack the fireplace so as not to damage the front glass.

1. Stand the packaged fireplace upright as indicated on the carton (Figure 1).
2. Open the top of the carton and locate which side the glass is placed.
3. Remove remote control and all plastic bags containing hardware etc.
4. Lay carton flat on a level surface so that the glass panel faces up (Figure 2).
5. Supporting the glass panel, remove one of the styrofoam end caps.
6. Remove glass panel from styrofoam packaging.
7. Remove glass and fireplace from all packaging and plastic wrap.
8. Remove the temporary wood frame from the firebox by removing the six (6) screws and washers as shown in Figure 3.

Figure 2

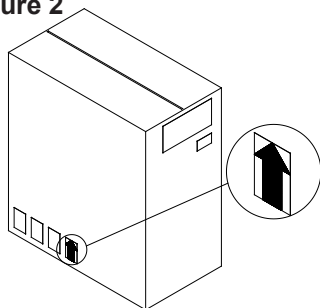


Figure 3

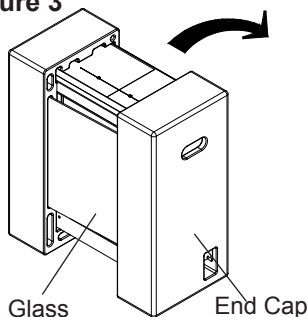
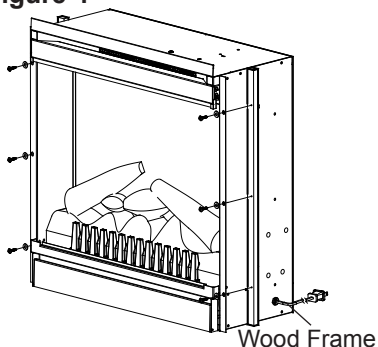


Figure 4



Fireplace Installation

! NOTE: Although the wood frame can be discarded, the screws and washers should be kept to attach the firebox to a Dimplex mantel or surround (if applicable).

Fireplace Assembly

The only assembly required is to place the front glass assembly onto the fireplace and install hardware to keep it in place.

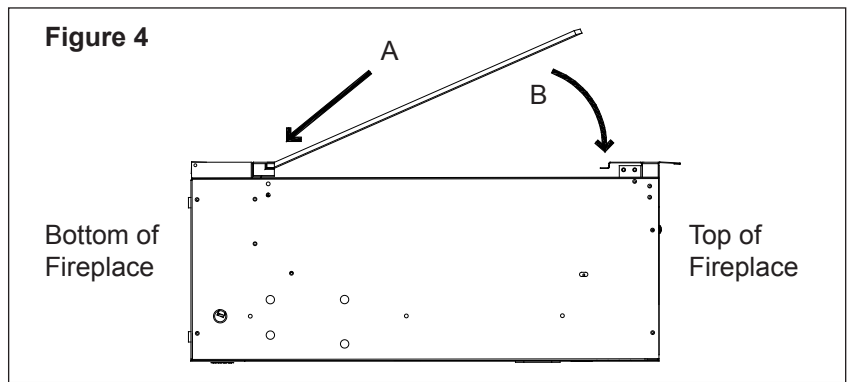
1. With the fireplace laying on a flat and level surface from Step 3 of the Unpacking Instructions, place the bottom of the glass panel onto the glass support track located just in front of and below the ember bed (Figure 4A).
2. As shown in Figure 4B, lay the top of the glass panel

into the corresponding glass support track at the top of the viewable fireplace.

3. Place glass retaining brackets as shown in Figure 5. The side of the bracket which lines up with the 2 supplied screws should slide in between the edge of the glass and the chassis. Refer to Figure 6 for an assembled view.
4. Using a flat head or Philips screwdriver, fasten screws through chassis bracket and into glass retaining bracket.
5. Repeat for other upper corner.

Fireplace Installation

! NOTE: A 15 Amp, 120 Volt alternating current (VAC) circuit is required. A dedicated circuit



Fireplace Installation

is preferred but not essential in all cases. A dedicated circuit will be required if, after installation, the circuit breaker trips or fuse blows on a regular basis when the heater is operating. Additional appliances on the same circuit may exceed the current rating of the circuit breaker.

⚠ WARNING: Ensure the power cord is not installed so that it is pinched or against a sharp edge and ensure that the power cord is stored or secured to avoid tripping or snagging to reduce the risk of fire, electric shock or injury to persons.

Figure 5

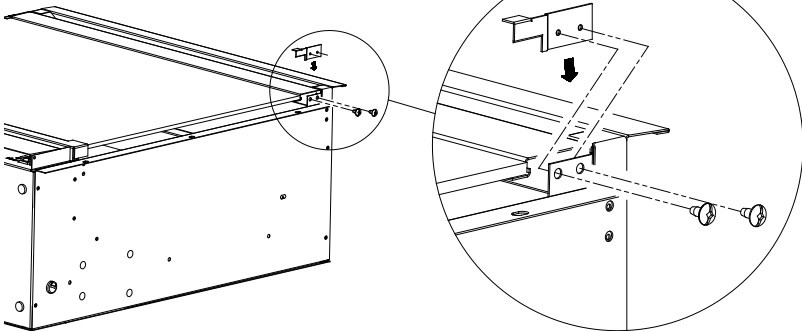
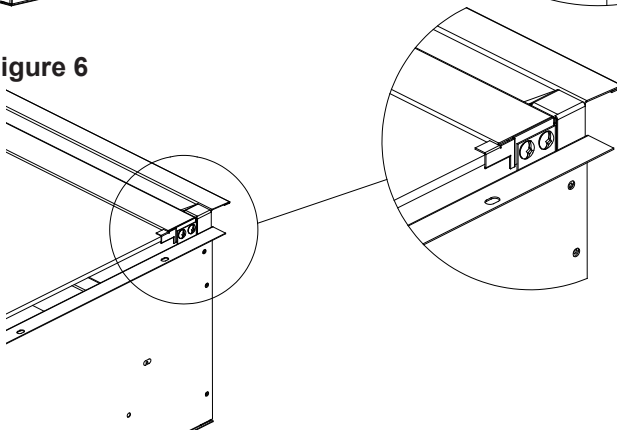


Figure 6



Fireplace Installation

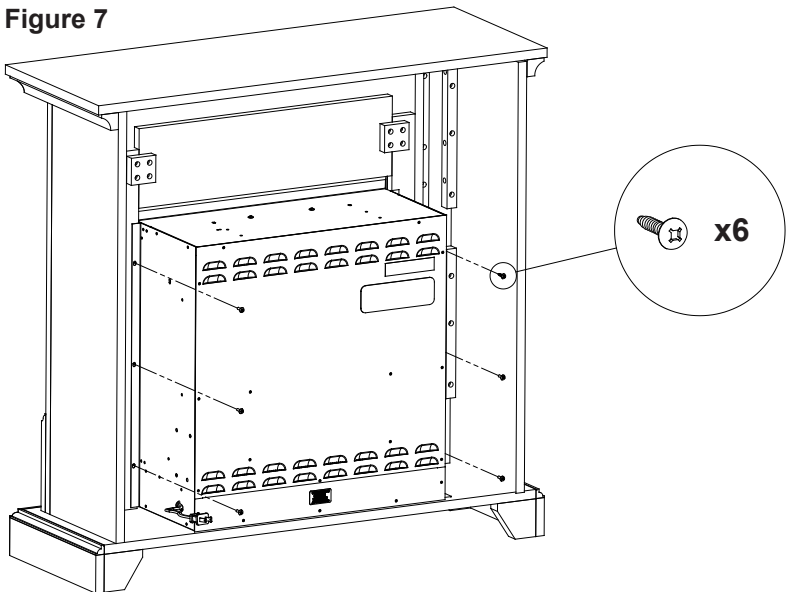
Construction and electrical outlet wiring must comply with local building codes and other applicable regulations to reduce the risk of fire, electric shock and injury to persons. Do not attempt to wire your own new outlets or circuits. To reduce the risk of fire, electric shock or injury to persons, always use a licensed electrician. Make sure the units MAIN ON/OFF switch is switched OFF (refer to operating instruction section).

Plug the unit into a 15 Amp/120 VAC outlet. If the cord does not reach, you may use a No. 14 AWG minimum size extension cord rated for a minimum of 1875 Watts.

Mantel Installation

For use with a new or existing mantel, insert fireplace as shown in Figure 7 and anchor in place with supplied screws.


Figure 7




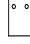
Operation

To access the controls, swing down the front cover panel located on the lower front of the fireplace (refer to diagram below). (Figure 8)

A. Main ON/OFF Switch

The switch has two ON positions marked with  and "Manual". The "Manual" position is for manual operation. In this position the built-in remote control is by-passed.

The  position is for operating the unit with the provided remote control.

When in  position the unit is operated with the ON and OFF buttons of the remote control. When the switch is in the center position the unit is off.

B. Heater ON/OFF Switch

The Heater ON/OFF Switch supplies power to the heater fan and the heater element. When the switch is in the ON

position the heater operates if the thermostat calls for heat.

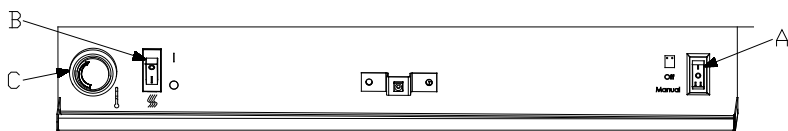
C. Heater Thermostat Control

To adjust the temperature to your individual requirements, turn the thermostat control clockwise all the way to turn on the heater. When the room reaches the desired temperature, turn the thermostat knob counter clockwise until you hear a click. Leave in this position to maintain the room temperature at this setting. For additional heat, turn clockwise until you hear the click again and the heater will turn on.

Resetting The Temperature Cutoff Switch

Should the heater overheat, an automatic cut out will turn the heater off and it will not come back on without being reset. It can be reset by switching the Main ON/OFF Switch to OFF and waiting 5 minutes before switching the unit back on.

Figure 8



Operation

⚠ CAUTION: If you need to continuously reset the heater, unplug the unit and call technical support at 1-888-346-7539.

! NOTE: The heater may emit a slight, harmless odor when first used. This odor is a normal condition caused by initial heating of internal heater parts and will not occur again.

Remote Operation

The fireplace is supplied with an integrated On/Off remote control.

! NOTE: Ensure that the fireplace 3 position switch is set to the remote control setting. To operate, push the ON button to turn fireplace on, push the OFF button to turn the fireplace off.

Remote Control Initialization/Reprogram

In the event that your remote control ceases to operate your fireplace, follow these steps to reinitialize the hand held transmitter and the remote control receiver in the fireplace:

1. Place the Main ON/OFF Switch (Figure 8A) in the OFF ("o") position.
2. Wait a minimum of 5 seconds

and then place the Main ON/OFF Switch in the Remote Control position.

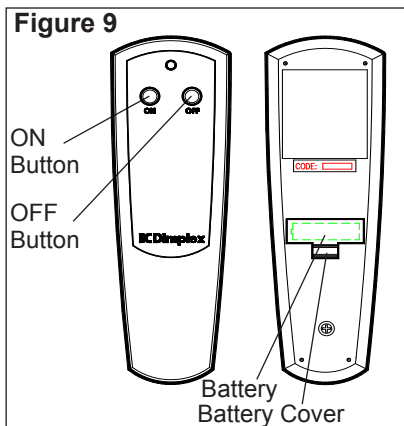
3. Within 10 seconds of changing the switch position, press the ON button located on the remote control transmitter (Figure 9). This will synchronize the remote control transmitter and the fireplace receiver.

! NOTE: You will have only 10 seconds to perform this last step. Failure to do so will result in these steps needing to be followed again.

Battery Replacement

To replace the battery:

1. Slide battery cover open on



Operation

the hand held transmitter (Figure 9).

2. Correctly install one 12 Volt (A23) battery in the battery holder.
3. Close the battery cover.

Maintenance

⚠ WARNING: Disconnect power before attempting any maintenance or cleaning to reduce the risk of fire, electric shock or damage to persons.

Light Bulb Replacement

Allow at least 5 minutes for light bulbs to cool off before touching bulbs to avoid accidental burning of skin.

Light bulbs need to be replaced when you notice a dark section of the flame or when the clarity and detail of the log exterior disappears. There are two (2) bulbs under the log set which generate the flames and embers.

Helpful Hints

It is a good idea to replace all light bulbs at one time if they are close to the end of their rated life. Group replacement will reduce the number of times you need

to open the unit to replace light bulbs.

Bulb Requirements

Quantity of 2 clear chandelier or candelabra bulbs with an J-12 (small) socket base, 60 watt rating. Example GE 60BC or Philips 60 CTC.

To Replace The Light Bulbs

1. Unplug the unit from power outlet.
2. On the back of the Compact Fireplace remove the screws from the light access cover (Figure 11)
3. Remove the light access cover.
4. Reach into the opening, locate and examine the bulbs to determine which bulb(s) require replacement.
5. Unscrew the bulb(s) counter clockwise.



Maintenance

6. Insert new bulb(s).
7. Install the light access cover and install the screws.

Glass Cleaning

The glass is cleaned in the factory during the assembly operation.

During shipment, installation, handling, etc., the front glass panel may collect dust particles; these can be removed by dusting lightly with a clean dry cloth.

To remove fingerprints or other marks, the front glass panel can be cleaned with a damp cloth.

The front glass panel should be completely dried with a lint free cloth to prevent water spots. To prevent scratching, do not use abrasive cleaners or spray liquids on the clear door surface.

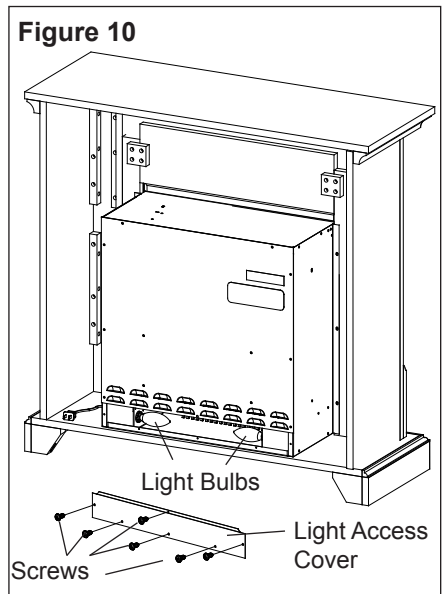
Compact Fireplace Surface Cleaning

Use warm water only to clean painted surfaces of the Compact Fireplace. Do not use abrasive cleaners.

Servicing

Except for light bulb replacement and cleaning described above, an authorized service representative should perform any other servicing.

Figure 10





Warranty

One Year Limited Warranty

Products to which this limited warranty applies

This limited warranty applies to your newly purchased Electralog electric compact fireplace. This limited warranty applies only to purchases made in any province of Canada *except* for Yukon Territory, Nunavut, or Northwest Territories or in any of the 50 States of the USA (and the District of Columbia) *except* for Hawaii and Alaska. This limited warranty applies to the original purchaser of the product only and is not transferable.

Products excluded from this limited warranty

Light bulbs are not covered by this limited warranty and are the sole responsibility of the owner/purchaser. Products purchased in Yukon Territory, Nunavut, Northwest Territories, Hawaii, or Alaska are not covered by this limited warranty. Products purchased in these States, provinces, or territories are sold AS IS without warranty or condition of any kind (including, without limitation, any implied warranties or conditions of merchantability or fitness for a particular purpose) and the entire risk of as to the quality and performance of the products is with the purchaser, and in the event of a defect the purchaser assumes the entire cost of all necessary servicing or repair.

What this limited warranty covers and for how long

Products covered by this limited warranty have been tested and inspected prior to shipment and, subject to the provisions of this warranty, Electralog warrants

such products to be free from defects in material and workmanship for a period of 12 months from the date of the first purchase of such product.

The limited 12 month warranty period also applies to any implied warranties that may exist under applicable law. Some jurisdictions do not allow limitations on how long an implied warranty lasts, so the above limitation may not apply to the purchaser.

What this limited warranty does not cover

This limited warranty does not apply to products that have been repaired (except by Electralog or its authorized service representatives) or otherwise altered. This limited warranty does further not apply to defects resulting from misuse, abuse, accident, neglect, incorrect installation, improper maintenance or handling, or operation with an incorrect power source.

What you must do to get service under this limited warranty

Defects must be brought to the attention of Electralog Technical Service by contacting Electralog at 1-888-346-7539, or 1367 Industrial Road, Cambridge Ontario, Canada N1R 7G8. Please have proof of purchase, catalogue/model and serial numbers available when calling. Limited warranty service requires a proof of purchase of the product.

What Electralog will do in the event of a defect

In the event a product or part covered by this limited warranty is proven to be defective in material or workmanship during the 12 month limited warranty period you have the following rights:



Warranty

- Electralog will in its sole discretion either repair or replace such defective product or part without charge. If Electralog is unable to repair or replace such product or part, or if repair or replacement is not commercially practicable or cannot be timely made, Electralog may, in lieu of repair or replacement, choose to refund the purchase price for such product or part.
- Limited warranty service will be performed solely by dealers or service agents of Electralog authorized to provide limited warranty services.
- The purchaser is responsible for removal and transportation of such product or part (and any repaired or replacement product or part) to and from the authorized dealer's or service agent's place of business.
- This limited warranty does not entitle the purchaser to on-site or in-home services. On-site or in-home services may be performed at the purchaser's specific request and expense at Electralog's then-current rates for such services.
- Electralog will not be responsible for, and the limited warranty services shall not include, any expense incurred for installation or removal of the product or part (or any replacement product or part) or any labour or transportation costs. Such costs shall be the purchaser's responsibility.

What Electralog and its dealers and service agents are also not responsible for:

IN NO EVENT WILL ELECTRALOG, OR ITS DIRECTORS, OFFICERS, OR AGENTS, BE LIABLE TO THE PURCHASER OR ANY THIRD PARTY, WHETHER IN CONTRACT, IN TORT, OR ON ANY OTHER BASIS, FOR ANY INDIRECT, SPECIAL, PUNITIVE, EXEMPLARY, CONSEQUENTIAL, OR INCIDENTAL LOSS, COST, OR DAMAGE ARISING OUT OF OR IN CONNECTION WITH THE SALE, MAINTENANCE, USE, OR INABILITY TO USE THE PRODUCT, EVEN IF DIMPLEX OR ITS DIRECTORS, OFFICERS, OR AGENTS HAVE BEEN ADVISED OF THE POSSIBILITY OF SUCH LOSSES, COSTS OR DAMAGES, OR IF SUCH LOSSES, COSTS, OR DAMAGES ARE FORESEEABLE. IN NO EVENT WILL DIMPLEX, OR ITS OFFICERS, DIRECTORS, OR AGENTS BE LIABLE FOR ANY DIRECT LOSSES, COSTS, OR DAMAGES THAT EXCEED THE PURCHASE PRICE OF THE PRODUCT.

SOME JURISDICTIONS DO NOT ALLOW THE EXCLUSION OR LIMITATION OF INCIDENTAL OR CONSEQUENTIAL DAMAGES, SO THE ABOVE LIMITATION OR EXCLUSION MAY NOT APPLY TO THE PURCHASER.

How State and Provincial law apply

This limited warranty gives you specific legal rights, and you may also have other rights which vary from jurisdiction to jurisdiction. The provisions of the United Nations Convention on Contracts for the Sale of Goods shall not apply to this limited warranty or the sale of products covered by this limited warranty.



Replacement Parts

Log Set Assembly	0487550100RP
Flicker Motor	2000220100RP
Heater Assembly	2200490800RP
Thermostat	2300150100RP
Cutout	2300270100RP
3 Position On/Off Switch	2800071100RP
Heater On/Off Switch.	2800070200RP
Capacitor	3200030100RP
Cord Set	4100090100RP
Flicker Rod	5900340100RP
Mirror	5900620100RP
Front Glass	5900420100RP
Remote Control Transmitter	3000370800RP
Remote Control Reciever.	3000380200RP
Thermostat Knob.	8800000300RP
Light Wire Harness	2500170300RP



Electralog
1367 Industrial Road
Cambridge ON
Canada N1R 7G8

© 2011 Dimplex North America Limited

Free Manuals Download Website

<http://myh66.com>

<http://usermanuals.us>

<http://www.somanuals.com>

<http://www.4manuals.cc>

<http://www.manual-lib.com>

<http://www.404manual.com>

<http://www.luxmanual.com>

<http://aubethermostatmanual.com>

Golf course search by state

<http://golfingnear.com>

Email search by domain

<http://emailbydomain.com>

Auto manuals search

<http://auto.somanuals.com>

TV manuals search

<http://tv.somanuals.com>