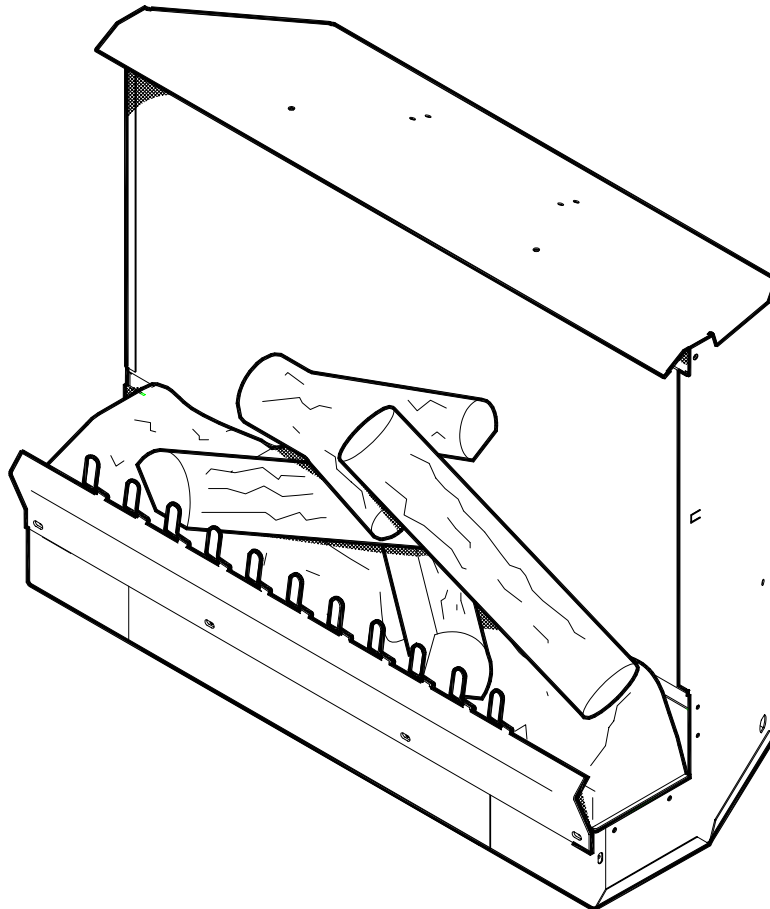


# PARTS AND SERVICE MANUAL FOR THE 23" INSERT FIREPLACE

MODEL NUMBER:

## DFI2309



**Dimplex**<sup>®</sup>

# TABLE OF CONTENTS

<b>OPERATION</b>	<b>PAGE 1</b>
<b>PARTS DRAWING</b>	<b>PAGE 3</b>
<b>PARTS LIST</b>	<b>PAGE 4</b>
<b>WIRING DIAGRAM</b>	<b>PAGE 5</b>
<b>LIGHT BULB REPLACEMENT</b>	<b>PAGE 6</b>
<b>MAIN ON/OFF SWITCH REPLACEMENT</b>	<b>PAGE 8</b>
<b>LOW HEAT ON/OFF SWITCH REPLACEMENT</b>	<b>PAGE 9</b>
<b>HIGH HEAT ON/OFF SWITCH REPLACEMENT</b>	<b>PAGE 10</b>
<b>FLAME MOTOR/FLAME ROD REPLACEMENT</b>	<b>PAGE 11</b>
<b>HEATER ASSEMBLY REPLACEMENT</b>	<b>PAGE 12</b>
<b>LIGHT HARNESS REPLACEMENT</b>	<b>PAGE 13</b>
<b>POWER CORD REPLACEMENT</b>	<b>PAGE 14</b>

## OPERATION

### MAIN ON/OFF FLAME ON/OFF SWITCH

The ON/OFF switch supplies power to all unit functions. When this switch is in the ON position the flame effect operates without heat.

### LOW HEAT SWITCH

The LOW HEAT ON/OFF SWITCH supplies power to the heater fan and the heater element. When the switch is in the ON position the heater operates on LOW.

### HIGH HEAT SWITCH

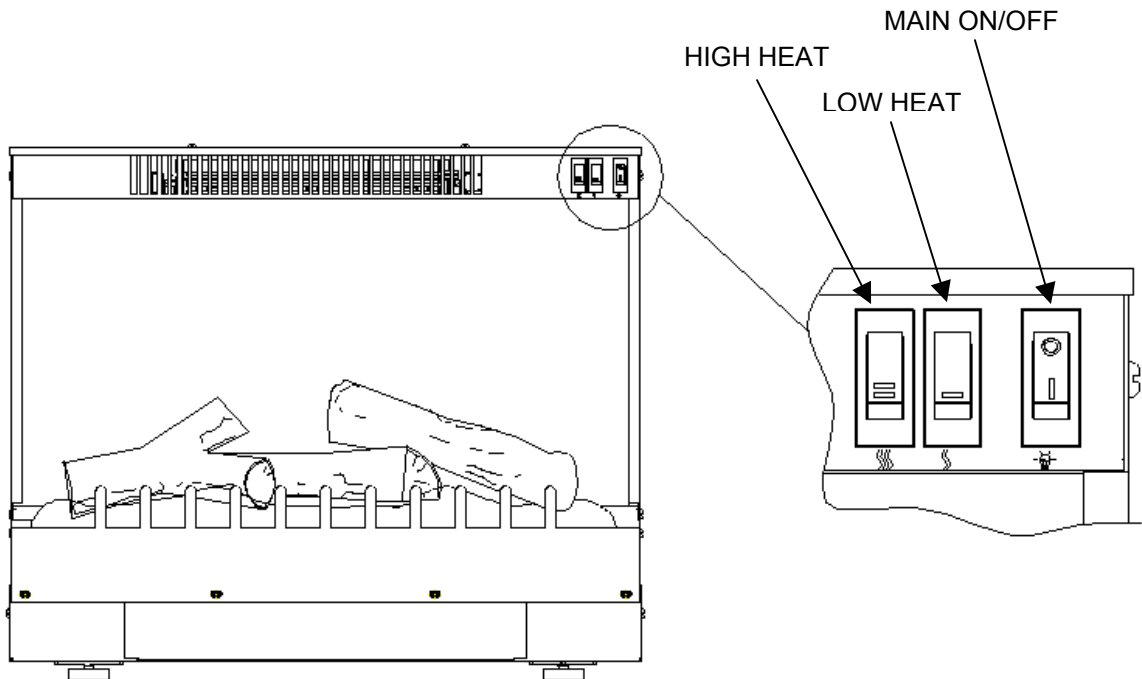
The HIGH HEAT ON/OFF SWITCH supplies power to the heater fan and the heater element, when the switch is in the ON position the heater operates on HIGH. The LOW HEAT ON/OFF SWITCH must also be in the ON position for the high heat setting to operate.

### RESETTING THE TEMPERATURE CUTOFF SWITCH

The heater is protected with a safety device to prevent overheating. Should the heater overheat, an automatic cut out will turn the heater off and it will not come back on without being reset. It can be reset by switching the ON/OFF SWITCH to OFF and waiting 5 minutes before switching the unit back on.

### CAUTION

If you need to continuously reset the heater, unplug the unit and call your local dealer.



## REMOTE CONTROL

The remote control has a range of approximately 50ft. (15.25m) it does not have to be pointed at the fireplace and can pass through most obstacles (including walls). It is supplied with one of 243 independent frequencies to prevent interference with other units. The frequency designation is indicated on the back of the transmitter (FIGURE 3)

### REMOTE CONTROL INSTALLATION

1. Plug fireplace cordset into the outlet located on the side of the receiver. (FIGURE 2)
2. Plug receiver into the wall outlet.
3. Install a 9 volt battery into the transmitter. (FIGURE 3)

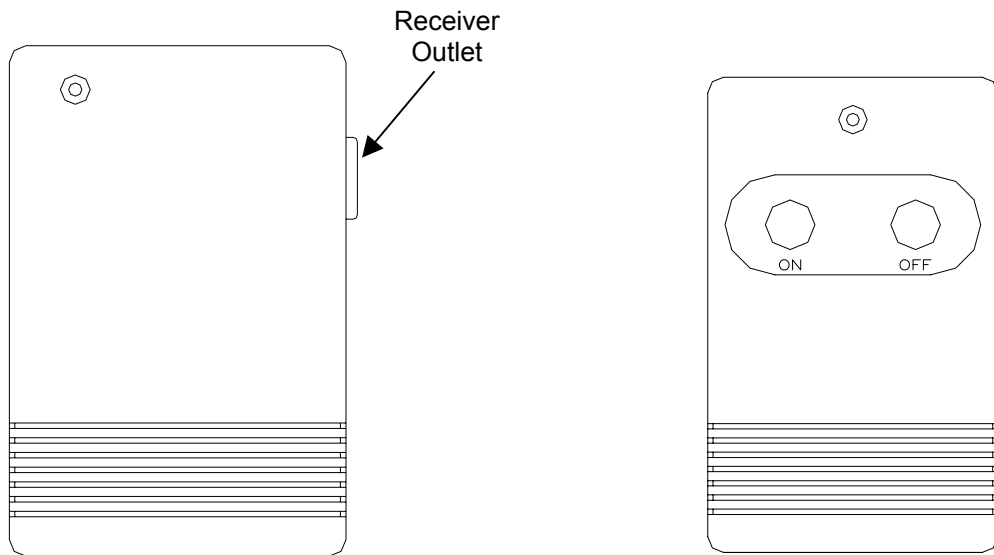


FIGURE 2

### NOTE

- Fireplace MAIN on/off switch must be in the ON position prior to using the Remote Control.
- ON/OFF Remote Control may be used to control most other electrical devices including T.V.'s, stereos and lamps.

### CAUTION

- For indoor use in dry areas only
- For use on electrical devices with 15 amp resistive load or 1/3 HP inductive load
- 120 volt AC only

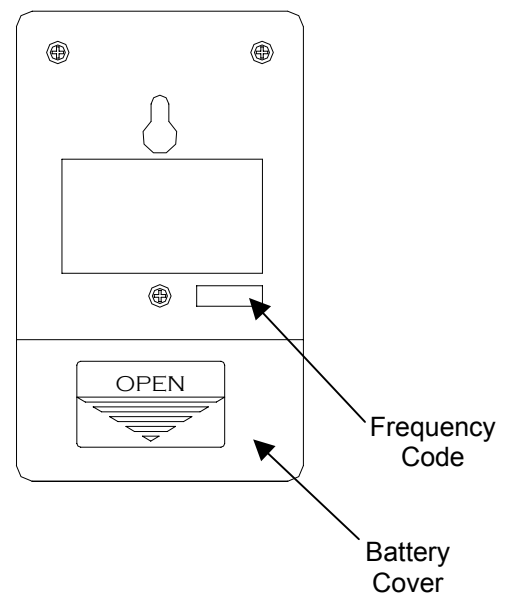
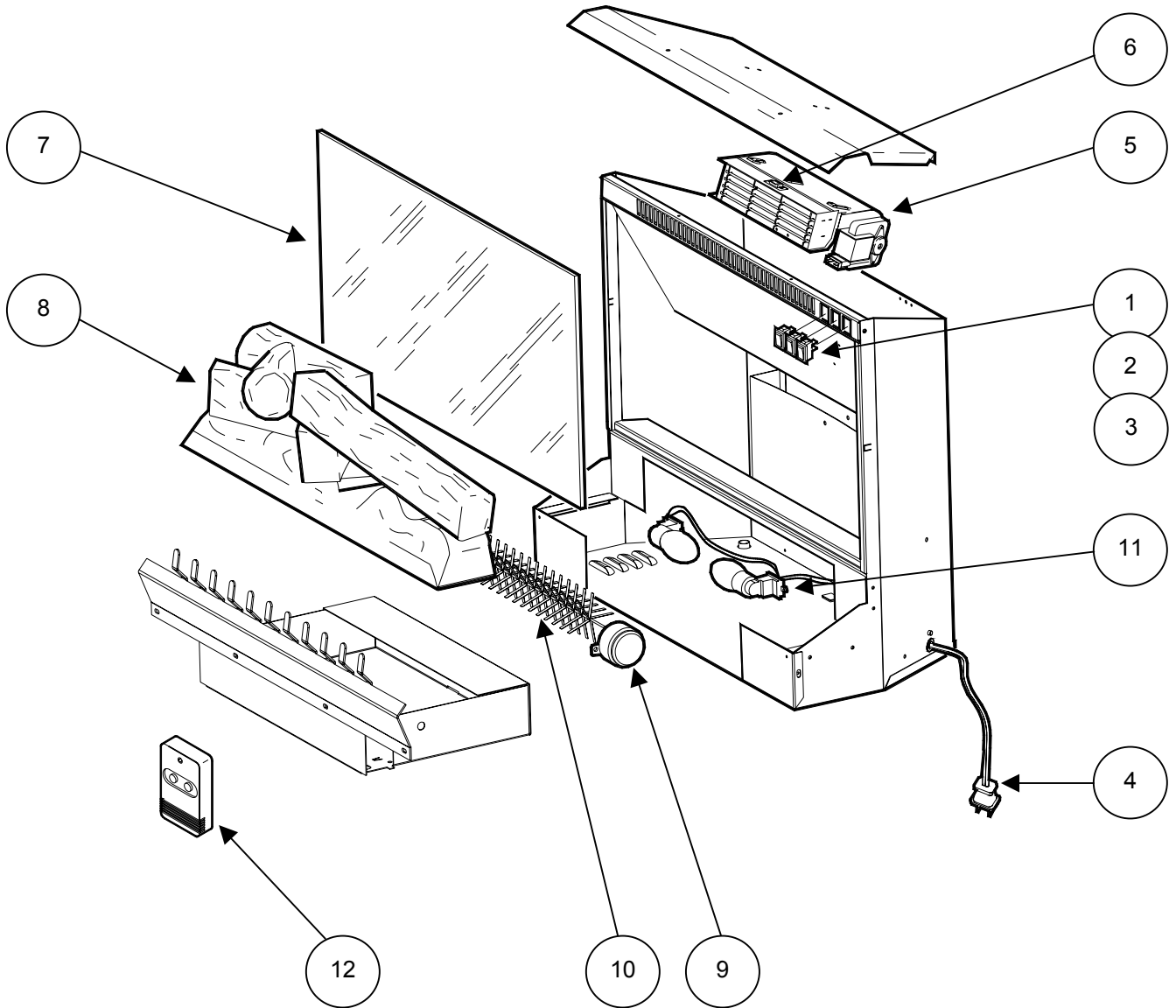


FIGURE 3



DFI2309

## REPLACEMENT PARTS

23" FIREPLACE INSERT

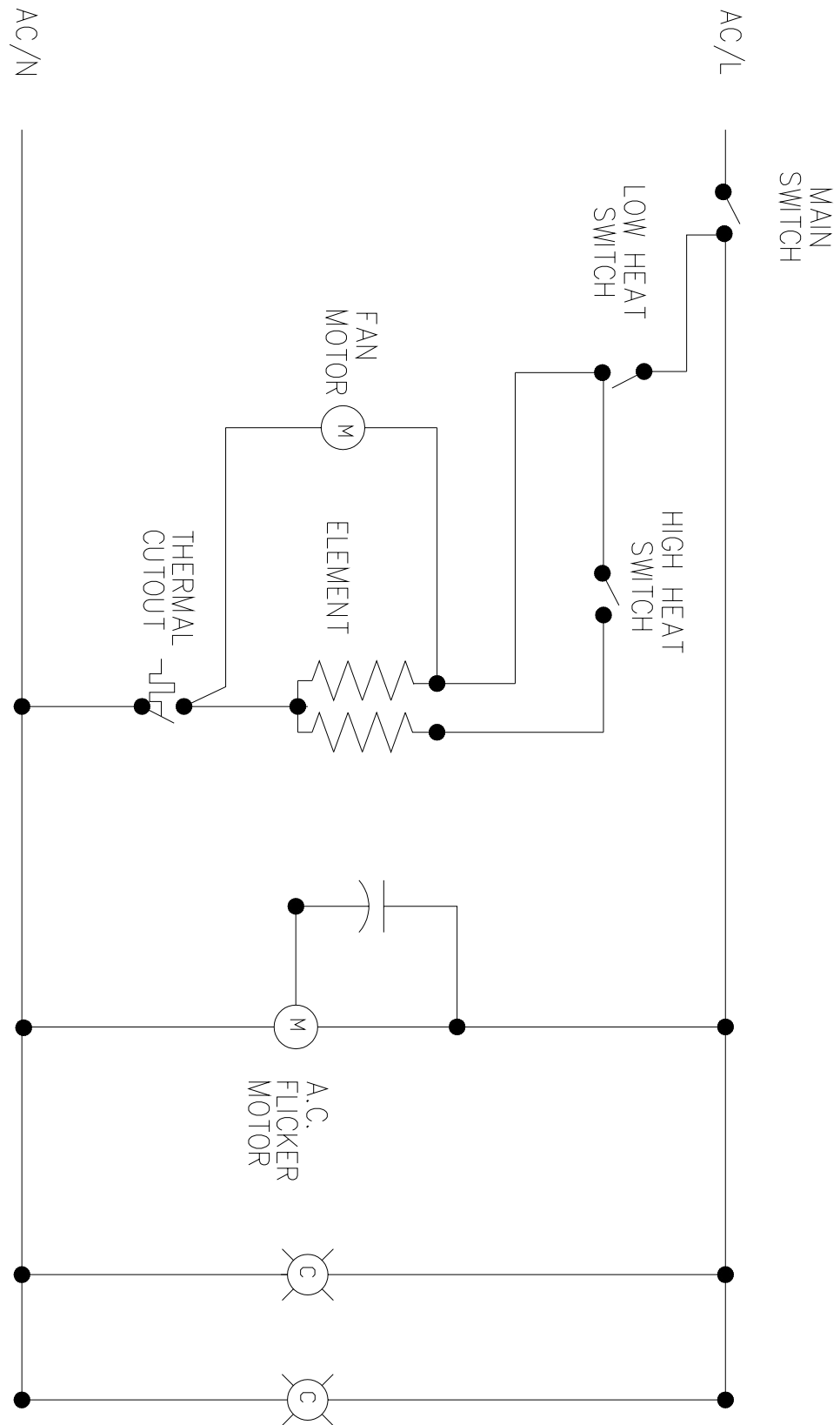
### REPLACEMENT PART

1. MAIN ON/OFF SWITCH
2. LOW HEAT ON/OFF SWITCH
3. HIGH HEAT ON/OFF SWITCH
4. CORDSET
5. HEATER ASSEMBLY
6. CUTOUT
7. MIRROR
8. LOGSET
9. FLICKER MOTOR
10. REFLECTOR ASSEMBLY
11. LAMP HOLDER
12. REMOTE CONTROL

### REPLACEMENT PART NO.

2800090100RP\*  
2800090100RP\*  
2800090100RP\*  
4100090101RP  
2200490300RP  
2300270200RP  
5900350100RP  
0438200200RP  
2000220100RP  
5900340100RP  
4200120100RP  
6800050200RP

# WIRING DIAGRAM



## DFI2309

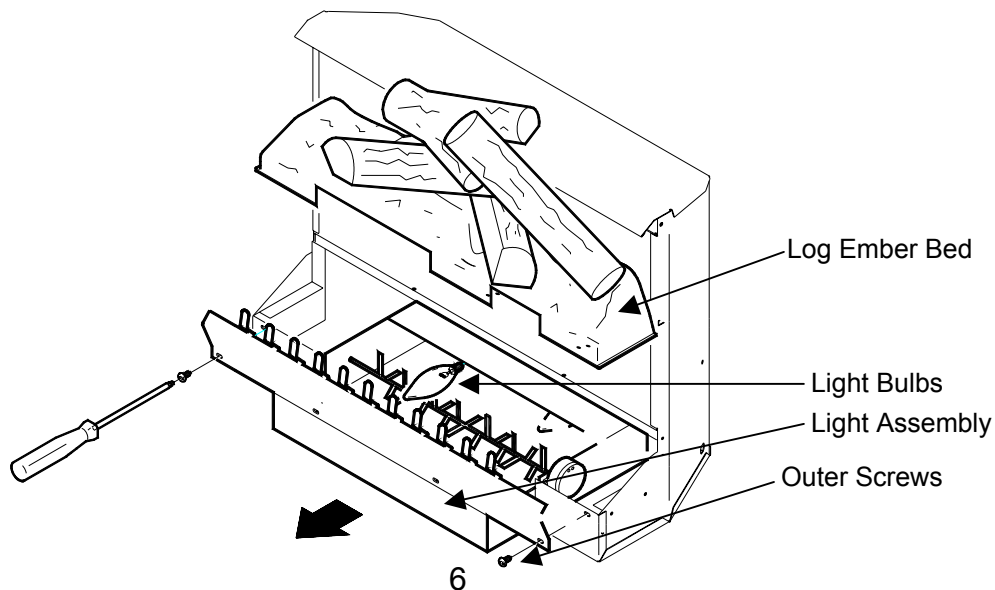
If unit was operating prior to servicing allow at least 10 minutes for light bulbs and heating element to cool off to avoid accidental burning of skin.

Disconnect power before attempting any maintenance or cleaning to reduce the risk of electric shock or damage to persons.

Light bulbs need to be replaced when you notice a dark section of the flame. There are four bulbs under the log set which generate the flames and embers.

It is a good idea to replace all of the light bulbs at one time if they are close to the end of their rated life. Group replacement will reduce the number of times you need to open the unit to replace the light bulbs.

1. Remove the fireplace trim.
2. Remove the (2) outer screws from the log grate.
3. Slide the light assembly out of the insert by pulling the log grate until the light assembly reaches the stop.
4. Remove the log set by lifting the log ember bed straight up.
5. Examine the bulb(s) to determine which bulb(s) require replacement.
6. Unscrew the bulbs counter clockwise.
7. Insert new bulbs.
8. Replace the log set into the insert.
9. Slide the light assembly back into the insert.
10. Install the two outer screws into the log grate.
11. Reinstall the fireplace trim.

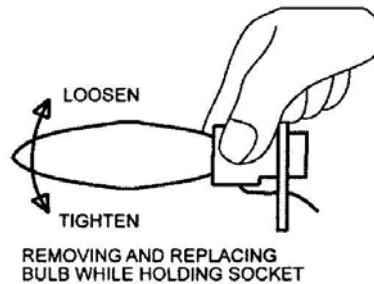
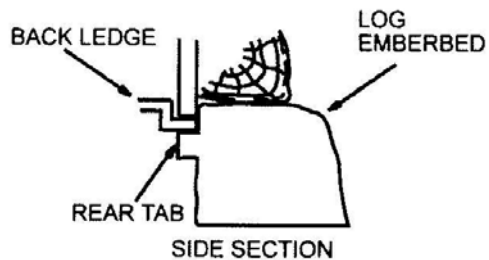




DFI2309

If unit was operating prior to servicing allow at least 10 minutes for light bulbs and heating element to cool off to avoid accidental burning of skin.

Disconnect power before attempting any maintenance or cleaning to reduce the risk of electric shock or damage to persons.



### **BULB REQUIREMENTS**

Quantity 2 clear chandelier or candelabra bulbs with an E-12 (small) socket base, 60 watt rating.

DFI2309

If unit was operating prior to servicing allow at least 10 minutes for light bulbs and heating element to cool off to avoid accidental burning of skin.

Disconnect power before attempting any maintenance or cleaning to reduce the risk of electric shock or damage to persons.

### **TO REPLACE MAIN ON/OFF SWITCH**

1. Remove the trim and firebox from mantel.
2. Remove the trim from firebox.
3. Remove the (2) screws located in the front middle of the top and the (2) screws at the back of the top.
4. Locate the main on/off switch mounted in the exhaust panel and disconnect the wiring clips and connections noting their original locations.
5. Depress the retainer clips on the rear of the switch and push the switch out of the exhaust panel.
6. Properly orientate the new switch and connect all of the wiring clips and connections.
7. Reassemble in the reverse order as above.

DFI2309

If unit was operating prior to servicing allow at least 10 minutes for light bulbs and heating element to cool off to avoid accidental burning of skin.

Disconnect power before attempting any maintenance or cleaning to reduce the risk of electric shock or damage to persons.

### **TO REPLACE LOW HEAT ON/OFF SWITCH**

1. Remove the trim and firebox from mantel.
2. Remove the trim from firebox.
3. Remove the (2) screws located in the front middle of the top and the (2) screws at the back of the top.
4. Locate the low heat on/off switch mounted in the exhaust panel and disconnect the wiring clips and connections noting their original locations.
5. Depress the retainer clips on the rear of the switch and push the switch out of the exhaust panel.
6. Properly orientate the new switch and connect all of the wiring clips and connections.
7. Reassemble in the reverse order as above.

DFI2309

If unit was operating prior to servicing allow at least 10 minutes for light bulbs and heating element to cool off to avoid accidental burning of skin.

Disconnect power before attempting any maintenance or cleaning to reduce the risk of electric shock or damage to persons.

### **TO REPLACE HIGH HEAT ON/OFF SWITCH**

1. Remove the trim and firebox from mantel.
2. Remove the trim from firebox.
3. Remove the (2) screws located in the front middle of the top and the (2) screws at the back of the top.
4. Locate the high heat on/off switch mounted in the exhaust panel and disconnect the wiring clips and connections noting their original locations.
5. Depress the retainer clips on the rear of the switch and push the switch out of the exhaust panel.
6. Properly orientate the new switch and connect all of the wiring clips and connections.
7. Reassemble in the reverse order as above.

DFI2309

If unit was operating prior to servicing allow at least 10 minutes for light bulbs and heating element to cool off to avoid accidental burning of skin.

Disconnect power before attempting any maintenance or cleaning to reduce the risk of electric shock or damage to persons.

### **TO REPLACE FLAME MOTOR/FLAME ROD**

1. Remove the trim and firebox from mantel.
2. Remove the trim from firebox.
3. Remove the (2) outer screws from the log grate.
4. Slide the light assembly out of the insert by pulling and lifting up on the log grate until the light assembly comes out of the unit.
5. Remove the (2) flame motor cover screws and set aside.
6. Remove the (3) flame motor wires (black, white, and brown) from the terminal block.

**NOTE:** A small Philips head screwdriver is required.

7. Remove the (2) flame motor mounting screws.
8. Remove flame rod from flame motor by pulling the rubber channel section of the flame rod away from flame motor.
9. Reassemble in the reverse order as above.

DFI2309

If unit was operating prior to servicing allow at least 10 minutes for light bulbs and heating element to cool off to avoid accidental burning of skin.

Disconnect power before attempting any maintenance or cleaning to reduce the risk of electric shock or damage to persons.

### **TO REPLACE HEATER ASSEMBLY**

1. Remove the trim and firebox from mantel.
2. Remove the trim from firebox.
3. Remove the (2) screws located in the front middle of the top and the (2) screws at the back of the top.
4. Disconnect the wiring clips and connections from the heater assembly noting their original locations.
5. Remove the (4) screws located in the middle of the top panel.
6. Remove the (2) Z brackets from the bottom of the heater assembly noting their mounting orientation.
7. Install the (2) Z brackets onto the replacement heater assembly.
8. Reassemble in the reverse order as above.

DFI2309

If unit was operating prior to servicing allow at least 10 minutes for light bulbs and heating element to cool off to avoid accidental burning of skin.

Disconnect power before attempting any maintenance or cleaning to reduce the risk of electric shock or damage to persons.

### **TO REPLACE LIGHT HARNESS**

1. Remove the trim and firebox from mantel.
2. Remove the trim from firebox.
3. Remove the (2) outer screws from the log grate.
4. Slide the light assembly out of the insert by pulling and lifting up on the log grate until the light assembly comes out of the unit.
5. Cut the (2) light harness wires (blue, white) in between the flame motor cover and the right light socket with wire cutters.
6. Strip the (2) light harness wire ends (blue, white) on the flame motor cover side.
7. Cut the (2) light harness wires (blue, white) in between the left and right light sockets with wire cutters.
8. Remove the (2) light socket screws from the rear of the light assembly.
9. Remove light bulbs.
10. Remove light sockets by placing hand inside light assembly, grasping light socket and pulling light socket until it snaps out of place.
11. Replace the (2) light sockets.
12. Wire connect the (4) light socket wires (blue to blue) (white to white) in between the left and right light sockets with the supplied wire connectors.
13. Wire connect the (4) light harness wires (blue to blue) (white to white) in between the flame motor cover and the right light socket with the supplied wire connectors.

DFI2309

If unit was operating prior to servicing allow at least 10 minutes for light bulbs and heating element to cool off to avoid accidental burning of skin.

Disconnect power before attempting any maintenance or cleaning to reduce the risk of electric shock or damage to persons.

### **TO REPLACE POWER CORD**

1. Remove the trim and firebox from mantel.
2. Remove the trim from firebox.
3. Remove the (2) screws located in the front middle of the top and the (2) screws at the back of the top.
4. Disconnect the wiring clips and connections from the heater assembly noting their original locations.
5. Set aside top panel.
6. Remove the (2) screws located on the top of the side panels and the (2) screws from the middle on the back panel.
7. Remove exhaust panel and set aside.
8. Remove mirror.
9. Locate and disconnect the power cord wiring connections noting their original locations.
10. With needle nose pliers grasp the power cord strain relief grommet from inside the rear of the back panel and push while twisting to remove.
11. Pull the power cord out through the hole in the rear of the back panel.
12. Install the new power cord through the hole in the back panel and connect all of the wiring connections in their original locations.
13. Install the power cord strain relief grommet on the replacement power cord and insert into the mounting hole in the rear of the back panel.  
  
**WARNING:** Ensure wires do not come in contact with moving parts by securing wires in wiring tie wraps.
14. Reassemble in the reverse order as above.



## Free Manuals Download Website

<http://myh66.com>

<http://usermanuals.us>

<http://www.somanuals.com>

<http://www.4manuals.cc>

<http://www.manual-lib.com>

<http://www.404manual.com>

<http://www.luxmanual.com>

<http://aubethermostatmanual.com>

Golf course search by state

<http://golfingnear.com>

Email search by domain

<http://emailbydomain.com>

Auto manuals search

<http://auto.somanuals.com>

TV manuals search

<http://tv.somanuals.com>