



---

## AVAILABLE ATTACHMENTS & ACCESSORIES

### Accessories

99944200201 GT Shoulder Harness Kit

### Attachments

99944200460 Power Edger Attachment

99944200500 Cultivator Attachment

99944200570 Grass Trimmer Attachment

### Cutting Heads

215111 Maxi-Cut Head

215311 Maxi-Cut Head

21560040 Echomatic Single Line Head

21560040A Semi-Auto Head Assembly

21560040B Semi-Auto Head Assembly

21560056 2-Line Rapid Loader

21560059 2-Line Rapid Loader

99944200240 Echomatic Dual Line Head

# PARTS CATALOG

## GT-2000SB TYPE 1E

### GRASS TRIMMER

**21.2cc**

**MODEL: SERIAL NUMBERS**

**GT-2000SB: Type 1E**

**ECHO, INCORPORATED**

400 Oakwood Road Lake Zurich, Illinois 60047 USA

WWW.ECHO-USA.COM



# Table of Contents

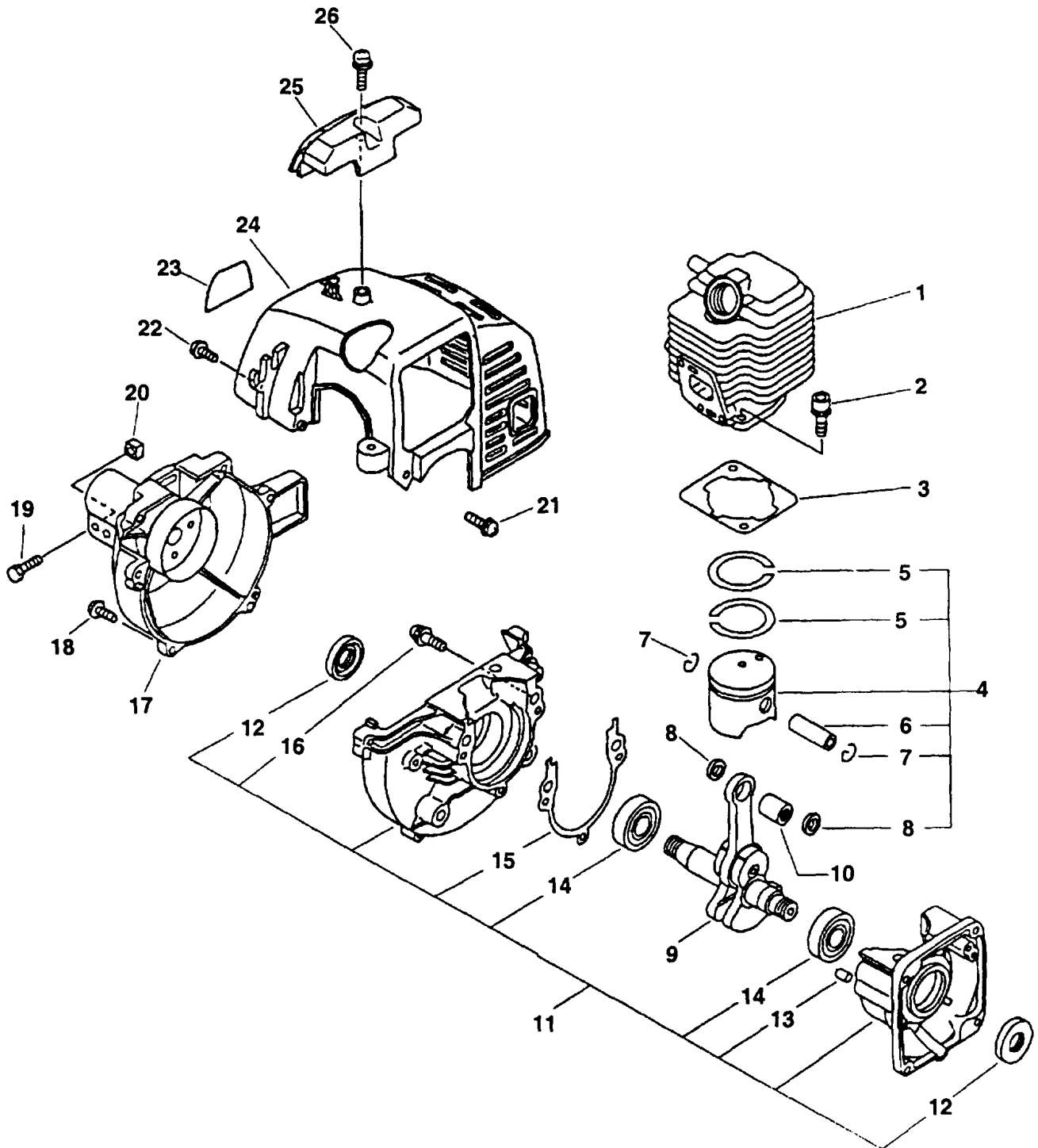
---

Click Any Diagram Description Below To View That Diagram.

## **GT-2000SB Type 1E**

Engine, Fan Housing, Cover.....	4
Ignition, Starter, Clutch, Stop Switch, Fuel System.....	6
Intake, Air Filter, Exhaust.....	8
Carburetor -- C1U-K47 S/N: 001001 - 501000.....	10
Carburetor -- C1U-K52 S/N: 501001 & Up.....	12
Driveshaft, Coupler, Gear Case, Handles, Throttle, Shield.....	14
Part Number Index.....	16
Part Description Index.....	17

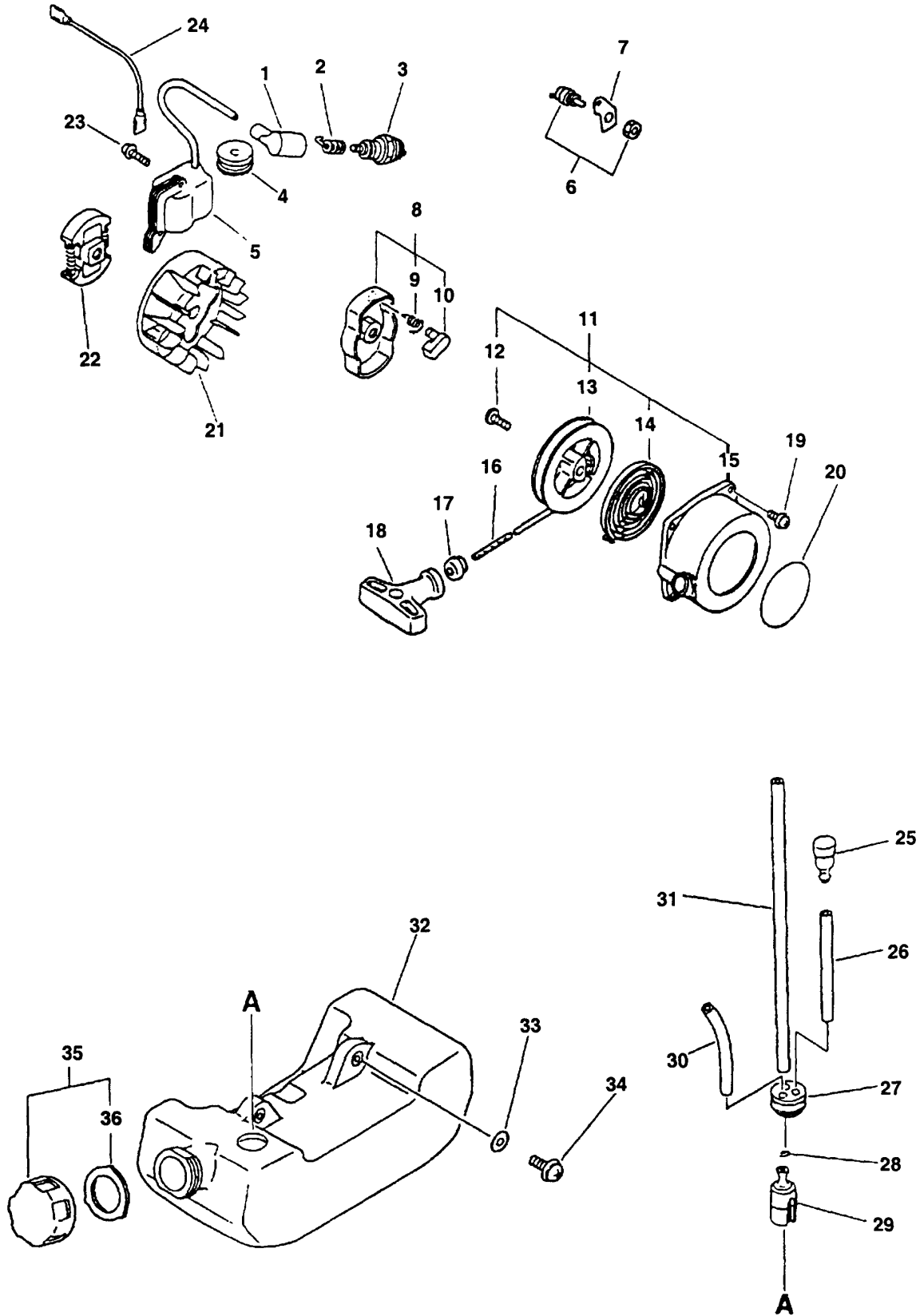
***This Page Intentionally Left Blank***



ITEM	PART NUMBER	QTY	DESCRIPTION	REMARKS
1	10101106560	1	CYLINDER	
2	90016205022	2	BOLT, H.S. 5X22	
3	10101044332	1	GASKET, CYLINDER BASE <sup>1</sup>	
4	10000048730	1	PISTON KIT	INCLUDES ITEMS 5 - 8
5	10001105330	2	RING, PISTON	
6	10001311520	1	PIN, PISTON	
7	10001504630	2	CIRCLIP, PISTON PIN	
8	10001411520	2	SPACER, PISTON PIN	
9		1	CRANKSHAFT ASY	INCLUDES ITEM 10
10	10001251230	1	BEARING, NEEDLE	
11		1	CRANKCASE KIT	INCLUDES ITEMS 12-16
12	10021242030	2	OILSEAL	
13	10021503930	2	PIN, DOWEL	
14	90081036201	2	BEARING, BALL 6201	
15		1	GASKET, CRANKCASE <sup>1</sup>	
16	90016205028	3	BOLT 5X28	
17	10150356630	1	COVER ASY, FAN	
18	90016204018	4	BOLT, H.S. 4X18	
19	90014205028	2	BOLT, 5X28	
20	90056500005	2	NUT 5	
21	90025304012	2	SCREW 4X12	
22	90025304016	2	SCREW 4X16	
23	89011256630	1	LABEL, MODEL	
24	10151448730	1	COVER, CYLINDER	
25	15991248630	1	GUARD, TOP	
26	90025305016	1	SCREW 5X16	
	SB1026	1	SHORT BLOCK	
	88900042031	1	GASKET KIT	

**Footnotes**

1: Also Included in Gasket Kit

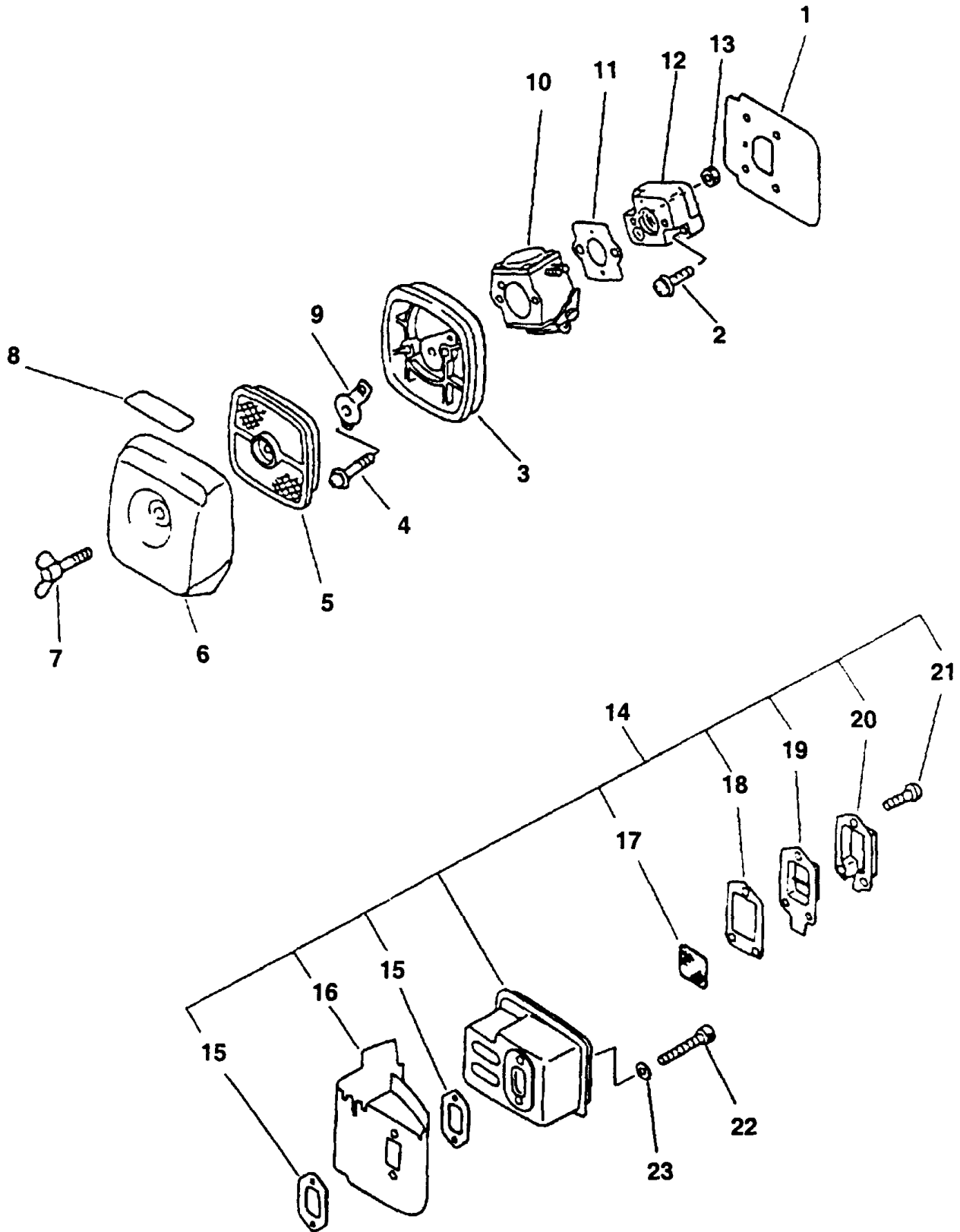


ITEM	PART NUMBER	QTY	DESCRIPTION	REMARKS
1	15901201620	1	CAP, SPARK PLUG	
2	15901103432	1	COIL, SPARK PLUG CAP	
3	15901010630	1	PLUG, SPARK BPM-7A	
3	15901010230	1	PLUG, SPARK BPMR-7A	CANADA MODELS
4	15011244330	1	BUSHING	
5	15660152130	1	COIL, IGNITION	
6	16340003460	1	SWITCH, IGNITION	
7	16381044330	1	BRACKET, IGNITION	
8	17720244330	1	PAWL ASY, STARTER	INCLUDES ITEMS 9-10
9	17723442030	1	SPRING, RETURN	
10	17721844330	1	PAWL, STARTER	
11	17720042033	1	STARTER ASY	INCLUDES ITEMS 12 -18
12	17723644330	1	SCREW	
13	17721544430	1	DRUM, STARTER	
14	17722042030	1	SPRING, REWIND	
15	17723242032	1	CASE, STARTER	
16		1	ROPE, STARTER	USE BULK ROPE P/N 99944400040
17	17722742030	1	GUIDE, ROPE	
18	17722806530	1	GRIP, STARTER	
19	90016204016	2	BOLT, H.S. 4X16	
20	89011849130	1	LABEL, ECHO	
21	15680144731	1	FLYWHEEL	
22	17500049030	1	CLUTCH ASY	
23	90016204022	2	BOLT, H.S. 4X22	
24	16202152130	1	LEAD	
25	13130056430	1	VALVE, CHECK <sup>1</sup>	
26	13131244330	1	PIPE 3X5X70	
27	13211546730	1	GROMMET, FUEL	
28	13201309820	1	CLIP	
29	13120507320	1	STRAINER, FUEL <sup>2</sup>	
30	13201256030	1	PIPE	
31	13201013930	1	PIPE, FUEL	
32	13100546830	1	TANK, FUEL	
33	90060300005	2	WASHER 5	
34	90023805016	2	SCREW 5X16	
35	13100455830	1	CAP ASY, FUEL TANK <sup>1</sup>	INCLUDES ITEM 36
36	13101655830	1	GASKET, FUEL CAP	
	99944400040		BULK ROPE	
	90010		VENT/CAP KIT, REPOWER	
	90008		FILTRATION KIT, REPOWER	

## Footnotes

1: INCLUDED IN KIT P/N 90010

2: INCLUDED IN KIT P/N 90008

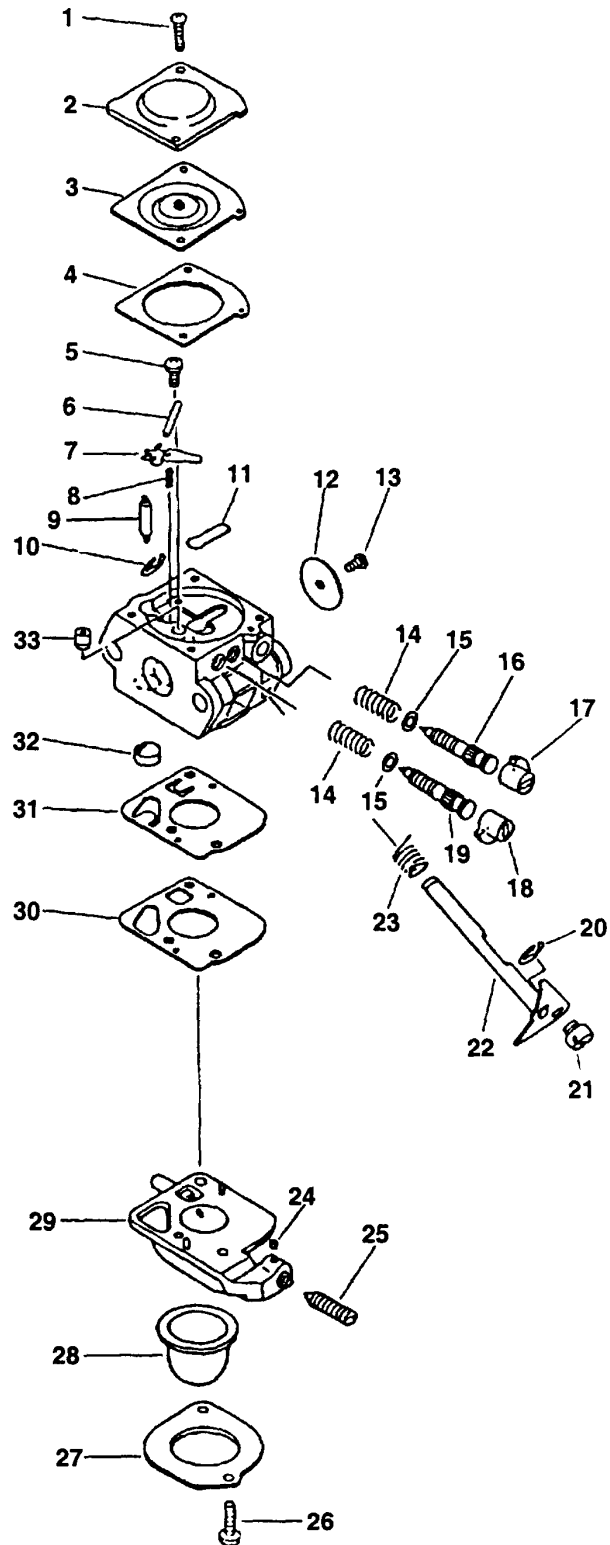




ITEM	PART NUMBER	QTY	DESCRIPTION	REMARKS
1	13001042032	1	GASKET, INTAKE <sup>1</sup>	
2	90023805020	2	SCREW 5X20	
3	13030706561	1	CASE, AIR CLEANER	
4	90024205065	2	SCREW 5X65	
5	13031054130	1	FILTER, AIR H.D. <sup>2</sup>	
6	13031306563	1	LID, AIR CLEANER	
7	21041752730	1	BOLT, WING	
8	89012106360	1	LABEL, CHOKE	
9	12901152730	1	PLATE, PREVENT	
10	12520049030	1	CARBURETOR ASY C1U-K47	TYPE 1 S/N 001001 - 007393. TYPE 1E S/N 001001 - 501000
10	12520013312	1	CARBURETOR ASY C1U-K52	TYPE 1 S/N 007394 & UP. TYPE 1E S/N 501001 & UP
11	13001642031	1	GASKET, INTAKE <sup>1</sup>	
12	13001742031	1	INSULATOR	
13	90050000005	2	NUT 5	
14	14580054130	1	MUFFLER ASY	INCLUDES ITEMS 15 - 21
15	14551042031	2	GASKET, MUFFLER <sup>1</sup>	
16	14587144331	1	COVER, MUFFLER	
17	14586240630	1	SCREEN, MUFFLER	
18	14586642031	1	GASKET, MUFFLER LID <sup>1</sup>	
19	14587642030	1	LID, MUFFLER	
20	14586354130	1	FIXTURE, SCREEN	
21	90023804010	3	SCREW 4X10	
22	90010505055	2	BOLT, H.S. 5X55	
23	90060000005	2	WASHER 5	
	88900042031		GASKET KIT	
	90008		FILTRATION KIT, REPOWER	

**Footnotes**

- 1: Also Included in Gasket Kit
- 2: Also Included in Repower Filtration Kit

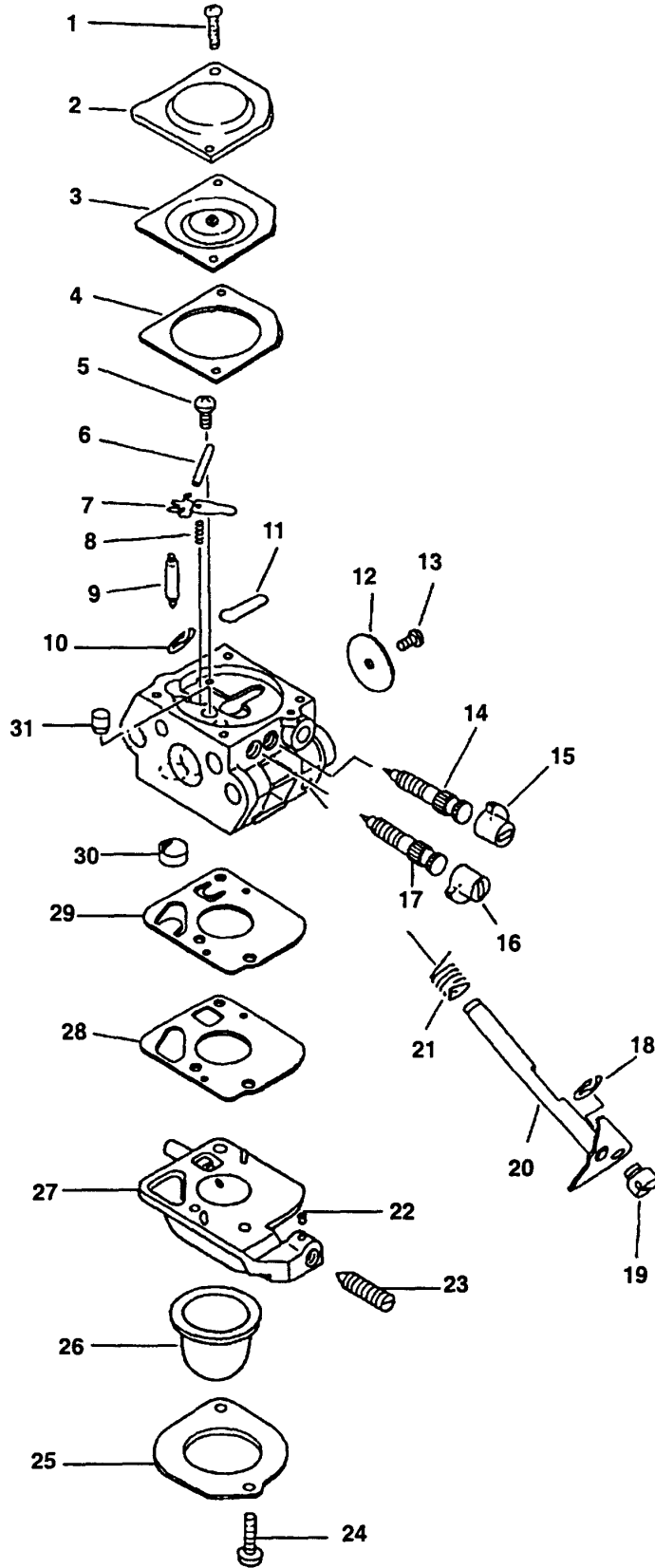


ITEM	PART NUMBER	QTY	DESCRIPTION	REMARKS
	12520049030	1	CARBURETOR C1U-K47	
<b>1</b>	12534452130	2	SCREW	
<b>2</b>	12534213210	1	COVER, METERING DIAPHRAGM	
<b>3</b>		1	DIAPHRAGM, METERING <sup>1</sup>	
<b>4</b>		1	GASKET, METERING DIAPHRAGM <sup>1</sup>	
<b>5</b>	12533942030	1	SCREW	
<b>6</b>		1	PIN, METERING ARM <sup>2</sup>	
<b>7</b>		1	LEVER, METERING <sup>2</sup>	
<b>8</b>		1	SPRING, METERING LEVER <sup>2</sup>	
<b>9</b>		1	VALVE, INLET NEEDLE <sup>2</sup>	
<b>10</b>	12532715130	1	CLIP	
<b>11</b>		1	PLUG, WELCH <sup>2</sup>	
<b>12</b>	12531649030	1	VALVE, THROTTLE	
<b>13</b>	12531413930	1	SCREW	
<b>14</b>	12531942030	2	SPRING, NEEDLE	
<b>15</b>	12535320560	2	WASHER	
<b>16</b>	12531807360	1	NEEDLE, LOW SPEED	
<b>17</b>	12532909860	1	LIMITER, CAP L.S.	TYPE 1E ONLY
<b>18</b>	12532939030	1	LIMITER, CAP H.S.	TYPE 1E ONLY
<b>19</b>	12532007360	1	NEEDLE, HIGH SPEED	
<b>20</b>	12532713930	1	CLIP	
<b>21</b>	12537242030	1	SWIVEL	
<b>22</b>	12531749030	1	SHAFT, THROTTLE	
<b>23</b>	12531342030	1	SPRING, THROTTLE RETURN	
<b>24</b>	12537813930	1	PIECE, FRICTION	
<b>25</b>	12533413930	1	SCREW, IDLE ADJUST	
<b>26</b>	12531011610	2	SCREW	
<b>27</b>	12536311610	1	RETAINER, PURGE PUMP	
<b>28</b>	12538108660	1	PUMP, PURGE	
<b>29</b>	12538313310	1	BASE, PURGE	
<b>30</b>		1	GASKET, FUEL PUMP <sup>1</sup>	
<b>31</b>		1	DIAPHRAGM, FUEL PUMP <sup>1</sup>	
<b>32</b>		1	STRAINER <sup>2</sup>	
<b>33</b>	12537649030	1	NOZZLE, CHECK VALVE	
	12530049030	1	REBUILD KIT	
	12530349030	1	GASKET/DIAPHRAGM KIT	

**Footnotes**

1: INCLUDED IN REBUILD KIT AND GASKET/DIAPHRAGM KIT

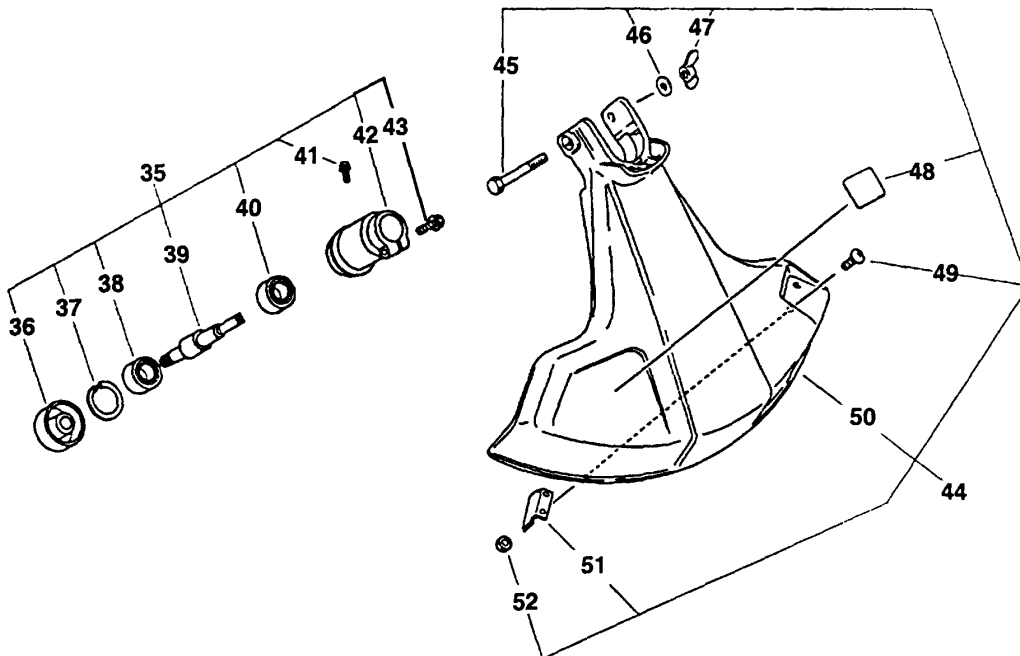
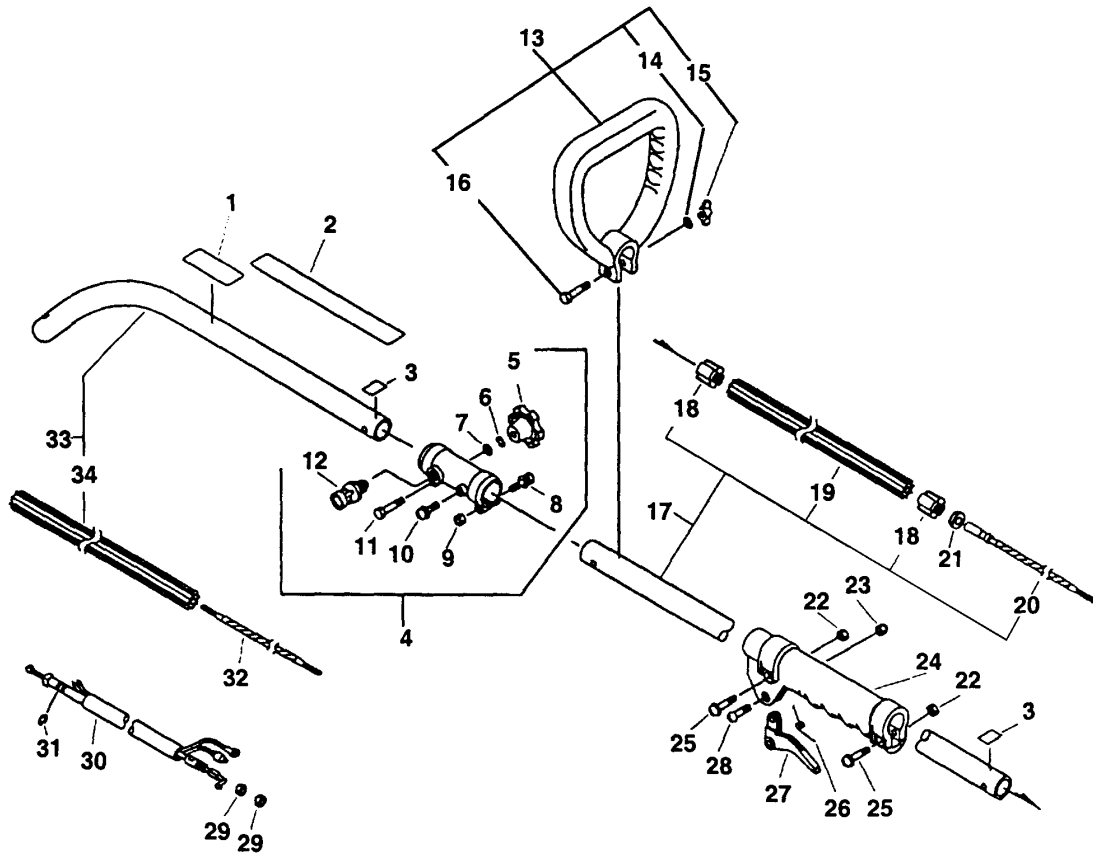
2: INCLUDED IN REBUILD KIT



ITEM	PART NUMBER	QTY	DESCRIPTION	REMARKS
	12520013312	1	CARBURETOR C1U-K52	
<b>1</b>	12534452130	2	SCREW	
<b>2</b>	12534213210	1	COVER, METERING DIAPHRAGM	
<b>3</b>		1	DIAPHRAGM, METERING <sup>1</sup>	
<b>4</b>		1	GASKET, METERING DIAPHRAGM <sup>1</sup>	
<b>5</b>	12533942030	1	SCREW	
<b>6</b>		1	PIN, METERING LEVER <sup>2</sup>	
<b>7</b>		1	LEVER, METERING <sup>2</sup>	
<b>8</b>		1	SPRING, LEVER METERING <sup>2</sup>	
<b>9</b>		1	NEEDLE, INLET <sup>2</sup>	
<b>10</b>	12532715130	1	CLIP	
<b>11</b>		1	PLUG, WELCH <sup>2</sup>	
<b>12</b>	12531649030	1	VALVE, THROTTLE	
<b>13</b>	12531413930	1	SCREW	
<b>14</b>	12531813310	1	NEEDLE, LO SPEED	
<b>15</b>	12532909860	1	CAP, LO SPEED LIMITER	
<b>16</b>	12532939030	1	CAP, HI SPEED LIMITER	
<b>17</b>	12532013310	1	NEEDLE, HI SPEED	
<b>18</b>	12532713930	1	CLIP	
<b>19</b>	12537242030	1	SWIVEL	
<b>20</b>	12531749030	1	SHAFT, THROTTLE	
<b>21</b>	12531342030	1	SPRING, THROTTLE RETURN	
<b>22</b>	12537813930	1	PIECE, FRICTION	
<b>23</b>	12533413930	1	SCREW, IDLE ADJUST	
<b>24</b>	12531011610	2	SCREW	
<b>25</b>	12536311610	1	RETAINER, PURGE PUMP	
<b>26</b>	12538108660	1	PUMP, PURGE	
<b>27</b>	12538313310	1	BASE, PURGE	
<b>28</b>		1	GASKET, FUEL PUMP <sup>1</sup>	
<b>29</b>		1	DIAPHRAGM, FUEL PUMP <sup>1</sup>	
<b>30</b>		1	STRAINER <sup>2</sup>	
<b>31</b>	12537613120	1	NOZZLE, CHECK VALVE	
	12530013310	1	REBUILD KIT	
	12530313310	1	GASKET/DIAPHRAGM KIT	

**Footnotes**

- 1:** INCLUDED IN REBUILD KIT AND GASKET/DIAPHRAGM KIT  
**2:** INCLUDED IN REBUILD KIT



ITEM	PART NUMBER	QTY	DESCRIPTION	REMARKS
1	89017740630	1	LABEL, CAUTION	
2	89031744530	1	LABEL, CAUTION	
3	89015204930	2	LABEL, LOCATION	
4	61060156630	1	HOLDER, MAIN PIPE	INCLUDES ITEMS 5-12
5	35232527630	1	LOCKNUT	
6	90060500005	1	WASHER, SPRING 5	
7	90060000005	1	WASHER 5	
8	90014205030	1	BOLT 5X30	
9	90050000005	1	NUT 5	
10	90024205012	1	SCREW 5X12	
11	90010005035	1	BOLT 5X35	
12	17830256630	1	LATCH ASY	
13	35160044330	1	HANDLE, FRONT	INCLUDES ITEMS 14-16
14	90003500008	1	WASHER, CIRCULAR 1/4	
15	90003300008	1	NUT, WING 1/4-20	
16	90001708048	1	BOLT, 1/4-20X1-1/2	
17	61020656630	1	HOUSING ASY, DRIVE SHAFT (UPPER)	INCLUDES ITEMS 18-20
18	61024655330	2	FIXTURE, LINER	
19	61021756630	1	LINER, FLEXIBLE (UPPER)	
20	61001355630	1	SHAFT, FLEXIBLE (UPPER)	
21	10025115130	1	CUSHION	
22	90050000005	2	NUT 5	
23	90056000005	1	NUT, LOCK	
24	35121344330	1	GRIP	
25	90024005025	2	SCREW 5X25	
26	17804306930	1	SPRING, THROTTLE RETURN	
27	17801048731	1	CONTROL, THROTTLE	
28	17811005330	1	SCREW	
29	90050200006	2	NUT 6 (3N)	
30	17800244430	1	WIRE, THROTTLE	
31	90070000004	1	E-RING 4	
32	61001350730	1	SHAFT, FLEXIBLE (GT LOWER)	
33	61020650730	1	HOUSING ASY, DRIVE SHAFT (GT LOWER)	INCLUDES ITEM 34
34	61021750730	1	LINER, FLEXIBLE (GT LOWER)	
35	61040452430	1	CASE ASY, BEARING (GT)	INCLUDES ITEMS 36-43
36	61030552430	1	PLATE, ADAPTER (U)	
37	90070200030	1	CIRCLIP 30	
38	90081106200	1	BEARING, BALL 6200	
39	61031052430	1	SHAFT, P.T.O.	
40	90081006200	1	BEARING, BALL 6200	
41	90024204010	1	SCREW 4X10	
42	61041052430	1	CASE, GEAR	
43	90015205025	1	BOLT 5X25	
44	69900452730	1	SHIELD ASY, W/LABEL	INCLUDES ITEMS 45-52
45	90001708064	1	BOLT 1/4-20X2	
46	90003500008	1	WASHER, CIRCULAR 1/4	
47	90003300008	1	NUT, WING 1/4-20	
48	89016844330	1	LABEL, CAUTION	
49	90024205016	2	SCREW 5X16	
50	69901044330	1	SHIELD	
51	69901644330	1	CUTTER	
52	90050000005	2	NUT 5	



# Part Number Index

Click The Page Number After Any Part Number To View The Diagram Containing That Part.

Part Number	Page	Part Number	Page	Part Number	Page
.....	5, 7, 11, 13	15901010230	.....7	90024205016	.....15
10000048730	.....5	15901010630	.....7	90024205065	.....9
10001105330	.....5	15901103432	.....7	90025304012	.....5
10001251230	.....5	15901201620	.....7	90025304016	.....5
10001311520	.....5	15991248630	.....5	90025305016	.....5
10001411520	.....5	16202152130	.....7	90050000005	.....9, 15
10001504630	.....5	16340003460	.....7	90050200006	.....15
10021242030	.....5	16381044330	.....7	90056000005	.....15
10021503930	.....5	17500049030	.....7	90056500005	.....5
10025115130	.....15	17720042033	.....7	90060000005	.....9, 15
10101044332	.....5	17720244330	.....7	90060300005	.....7
10101106560	.....5	17721544430	.....7	90060500005	.....15
10150356630	.....5	17721844330	.....7	90070000004	.....15
10151448730	.....5	17722042030	.....7	90070200030	.....15
12520013312	.....9, 13	17722742030	.....7	90081006200	.....15
12520049030	.....9, 11	17722806530	.....7	90081036201	.....5
12530013310	.....13	17723242032	.....7	90081106200	.....15
12530049030	.....11	17723442030	.....7	99944400040	.....7
12530313310	.....13	17723644330	.....7	SB1026	.....5
12530349030	.....11	17800244430	.....15		
12531011610	.....11, 13	17801048731	.....15		
12531342030	.....11, 13	17804306930	.....15		
12531413930	.....11, 13	17811005330	.....15		
12531649030	.....11, 13	17830256630	.....15		
12531749030	.....11, 13	21041752730	.....9		
12531807360	.....11	35121344330	.....15		
12531813310	.....13	35160044330	.....15		
12531942030	.....11	35232527630	.....15		
12532007360	.....11	61001350730	.....15		
12532013310	.....13	61001355630	.....15		
12532713930	.....11, 13	61020650730	.....15		
12532715130	.....11, 13	61020656630	.....15		
12532909860	.....11, 13	61021750730	.....15		
12532939030	.....11, 13	61021756630	.....15		
12533413930	.....11, 13	61024655330	.....15		
12533942030	.....11, 13	61030552430	.....15		
12534213210	.....11, 13	61031052430	.....15		
12534452130	.....11, 13	61040452430	.....15		
12535320560	.....11	61041052430	.....15		
12536311610	.....11, 13	61060156630	.....15		
12537242030	.....11, 13	69900452730	.....15		
12537613120	.....13	69901044330	.....15		
12537649030	.....11	69901644330	.....15		
12537813930	.....11, 13	88900042031	.....5, 9		
12538108660	.....11, 13	89011256630	.....5		
12538313310	.....11, 13	89011849130	.....7		
12901152730	.....9	89012106360	.....9		
13001042032	.....9	89015204930	.....15		
13001642031	.....9	89016844330	.....15		
13001742031	.....9	89017740630	.....15		
13030706561	.....9	89031744530	.....15		
13031054130	.....9	90001708048	.....15		
13031306563	.....9	90001708064	.....15		
13100455830	.....7	90003300008	.....15		
13100546830	.....7	90003500008	.....15		
13101655830	.....7	90008	.....7, 9		
13120507320	.....7	90010	.....7		
13130056430	.....7	90010005035	.....15		
13131244330	.....7	90010505055	.....9		
13201013930	.....7	90014205028	.....5		
13201256030	.....7	90014205030	.....15		
13201309820	.....7	90015205025	.....15		
13211546730	.....7	90016204016	.....7		
14551042031	.....9	90016204018	.....5		
14580054130	.....9	90016204022	.....7		
14586240630	.....9	90016205022	.....5		
14586354130	.....9	90016205028	.....5		
14586642031	.....9	90023804010	.....9		
14587144331	.....9	90023805016	.....7		
14587642030	.....9	90023805020	.....9		
15011244330	.....7	90024005025	.....15		
15660152130	.....7	90024204010	.....15		
15680144731	.....7	90024205012	.....15		





# Part Description Index

Click The Page Number After Any Part Description To View The Diagram Containing That Part.

<p><b>B</b></p> <p>BASE, PURGE.....11, 13                  BEARING, BALL 6200.....15                  BEARING, BALL 6201.....5                  BEARING, NEEDLE.....5                  BOLT 1/4-20X2.....15                  BOLT 5X25.....15                  BOLT 5X28.....5                  BOLT 5X30.....15                  BOLT 5X35.....15                  BOLT, 1/4-20X1-1/2.....15                  BOLT, 5X28.....5                  BOLT, H.S. 4X16.....7                  BOLT, H.S. 4X18.....5                  BOLT, H.S. 4X22.....7                  BOLT, H.S. 5X22.....5                  BOLT, H.S. 5X55.....9                  BOLT, WING.....9                  BRACKET, IGNITION.....7                  BULK ROPE.....7                  BUSHING.....7</p> <p><b>C</b></p> <p>CAP ASY, FUEL TANK.....7                  CAP, HI SPEED LIMITER.....13                  CAP, LO SPEED LIMITER.....13                  CAP, SPARK PLUG.....7                  CARBURETOR ASY C1U-K47.....9                  CARBURETOR ASY C1U-K52.....9                  CARBURETOR C1U-K47.....11                  CARBURETOR C1U-K52.....13                  CASE ASY, BEARING (GT).....15                  CASE, AIR CLEANER.....9                  CASE, GEAR.....15                  CASE, STARTER.....7                  CIRCLIP 30.....15                  CIRCLIP, PISTON PIN.....5                  CLIP.....7, 11, 13                  CLUTCH ASY.....7                  COIL, IGNITION.....7                  COIL, SPARK PLUG CAP.....7                  CONTROL, THROTTLE.....15                  COVER ASY, FAN.....5                  COVER, CYLINDER.....5                  COVER, METERING DIAPHRAGM.....11, 13                  COVER, MUFFLER.....9                  CRANKCASE KIT.....5                  CRANKSHAFT ASY.....5                  CUSHION.....15                  CUTTER.....15                  CYLINDER.....5</p> <p><b>D</b></p> <p>DIAPHRAGM, FUEL PUMP.....11, 13                  DIAPHRAGM, METERING.....11, 13                  DRUM, STARTER.....7</p> <p><b>E</b></p> <p>E-RING 4.....15</p> <p><b>F</b></p> <p>FILTER, AIR H.D.....9                  FILTRATION KIT, REPOWER.....7, 9</p>	<p>FIXTURE, LINER.....15                  FIXTURE, SCREEN.....9                  FLYWHEEL.....7</p> <p><b>G</b></p> <p>GASKET KIT.....5, 9                  GASKET, CRANKCASE.....5                  GASKET, CYLINDER BASE.....5                  GASKET, FUEL CAP.....7                  GASKET, FUEL PUMP.....11, 13                  GASKET, INTAKE.....9                  GASKET, METERING DIAPHRAGM.....11, 13                  GASKET, MUFFLER.....9                  GASKET, MUFFLER LID.....9                  GASKET/DIAPHRAGM KIT.....11, 13                  GRIP.....15                  GRIP, STARTER.....7                  GROMMET, FUEL.....7                  GUARD, TOP.....5                  GUIDE, ROPE.....7</p> <p><b>H</b></p> <p>HANDLE, FRONT.....15                  HOLDER, MAIN PIPE.....15                  HOUSING ASY, DRIVE SHAFT (GT LOWER).....                  15                  HOUSING ASY, DRIVE SHAFT (UPPER).....15</p> <p><b>I</b></p> <p>INSULATOR.....9</p> <p><b>L</b></p> <p>LABEL, CAUTION.....15                  LABEL, CHOKE.....9                  LABEL, ECHO.....7                  LABEL, LOCATION.....15                  LABEL, MODEL.....5                  LATCH ASY.....15                  LEAD.....7                  LEVER, METERING.....11, 13                  LID, AIR CLEANER.....9                  LID, MUFFLER.....9                  LIMITER, CAP H.S.....11                  LIMITER, CAP L.S.....11                  LINER, FLEXIBLE (GT LOWER).....15                  LINER, FLEXIBLE (UPPER).....15                  LOCKNUT.....15</p> <p><b>M</b></p> <p>MUFFLER ASY.....9</p> <p><b>N</b></p> <p>NEEDLE, HI SPEED.....13                  NEEDLE, HIGH SPEED.....11                  NEEDLE, INLET.....13                  NEEDLE, LO SPEED.....13                  NEEDLE, LOW SPEED.....11                  NOZZLE, CHECK VALVE.....11, 13                  NUT 5.....5, 9, 15                  NUT 6 (3N).....15                  NUT, LOCK.....15                  NUT, WING 1/4-20.....15</p>	<p><b>O</b></p> <p>OILSEAL.....5</p> <p><b>P</b></p> <p>PAWL ASY, STARTER.....7                  PAWL, STARTER.....7                  PIECE, FRICTION.....11, 13                  PIN, DOWEL.....5                  PIN, METERING ARM.....11                  PIN, METERING LEVER.....13                  PIN, PISTON.....5                  PIPE.....7                  PIPE 3X5X70.....7                  PIPE, FUEL.....7                  PISTON KIT.....5                  PLATE, ADAPTER (U).....15                  PLATE, PREVENT.....9                  PLUG, SPARK BPM-7A.....7                  PLUG, SPARK BPMR-7A.....7                  PLUG, WELCH.....11, 13                  PUMP, PURGE.....11, 13</p> <p><b>R</b></p> <p>REBUILD KIT.....11, 13                  RETAINER, PURGE PUMP.....11, 13                  RING, PISTON.....5                  ROPE, STARTER.....7</p> <p><b>S</b></p> <p>SCREEN, MUFFLER.....9                  SCREW.....7, 11, 13, 15                  SCREW 4X10.....9, 15                  SCREW 4X12.....5                  SCREW 4X16.....5                  SCREW 5X12.....15                  SCREW 5X16.....5, 7, 15                  SCREW 5X20.....9                  SCREW 5X25.....15                  SCREW 5X65.....9                  SCREW, IDLE ADJUST.....11, 13                  SHAFT, FLEXIBLE (GT LOWER).....15                  SHAFT, FLEXIBLE (UPPER).....15                  SHAFT, P.T.O.....15                  SHAFT, THROTTLE.....11, 13                  SHIELD.....15                  SHIELD ASY, W/LABEL.....15                  SHORT BLOCK.....5                  SPACER, PISTON PIN.....5                  SPRING, LEVER METERING.....13                  SPRING, METERING LEVER.....11                  SPRING, NEEDLE.....11                  SPRING, RETURN.....7                  SPRING, REWIND.....7                  SPRING, THROTTLE RETURN.....11, 13, 15                  STARTER ASY.....7                  STRAINER.....11, 13                  STRAINER, FUEL.....7                  SWITCH, IGNITION.....7                  SWIVEL.....11, 13</p> <p><b>T</b></p> <p>TANK, FUEL.....7</p>
---	---	--



## Part Description Index (continued)

---

### V

VALVE, CHECK.....7  
VALVE, INLET NEEDLE.....11  
VALVE, THROTTLE.....11, 13  
VENT/CAP KIT, REPOWER.....7

### W

WASHER.....11  
WASHER 5.....7, 9, 15  
WASHER, CIRCULAR 1/4.....15  
WASHER, SPRING 5.....15  
WIRE, THROTTLE.....15

## **NOTES**



**ECHO, INCORPORATED**  
400 Oakwood Road  
Lake Zurich, IL 60047 USA

[WWW.ECHO-USA.COM](http://WWW.ECHO-USA.COM)

---

## Free Manuals Download Website

<http://myh66.com>

<http://usermanuals.us>

<http://www.somanuals.com>

<http://www.4manuals.cc>

<http://www.manual-lib.com>

<http://www.404manual.com>

<http://www.luxmanual.com>

<http://aubethermostatmanual.com>

Golf course search by state

<http://golfingnear.com>

Email search by domain

<http://emailbydomain.com>

Auto manuals search

<http://auto.somanuals.com>

TV manuals search

<http://tv.somanuals.com>