



## OPTIONAL ATTACHMENTS & ACCESSORIES

### Accessories

99944200200 SRM Shoulder Harness Kit

99944200675 U-Handle Kit

SRAC-200 Tiller/Cultivator Attachment

### Cutting Heads

215511 Pro Maxi-Cut Head

21560031 SRM ECHOmatic Pro Head

21560050 Semi-Auto Head Assembly

21560056 2-Line Rapid Loader Head -- Echo

21560060 SRM Manual Dual Line Head

99944200221 3-Line Rapid Loader Head -- Echo

99944200225 Heavy Duty Fixed Line Head

99944200250 SRM ECHOmatic II Head

# PARTS CATALOG

## SRM-265T Trimmer

**25.4cc (CALIFORNIA ONLY)**

### SERIAL NUMBERS

S/N: S66011001001 - S66011999999

**ECHO, INCORPORATED**

400 Oakwood Road Lake Zurich, Illinois 60047 USA

WWW.ECHO-USA.COM



# Table of Contents

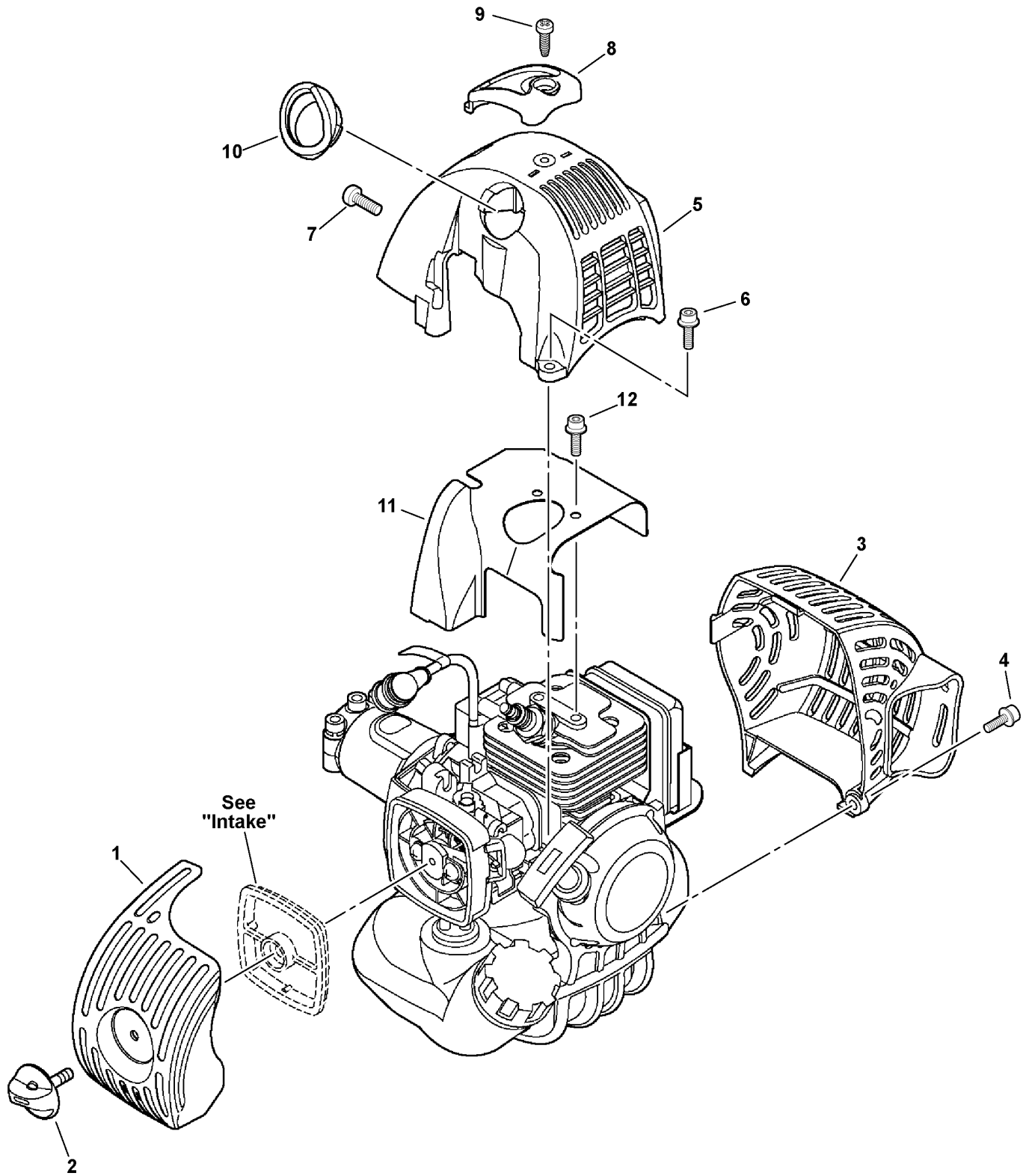
---

Click Any Diagram Description Below To View That Diagram.

## **SRM-265T S/N: S66011001001 - S66011999999**

Covers.....	4
Fuel System.....	6
Fan Case, Clutch.....	8
Starter -- i-30.....	10
Intake.....	12
Carburetor -- RB-K84.....	14
Exhaust.....	16
Ignition, Flywheel.....	18
Engine, Short Block -- SB1090.....	20
SRM ECHOMATIC Head -- 21560050.....	22
Plastic Shield.....	24
Gear Case.....	26
Handles, Throttle Control.....	28
Main Pipe Assembly, Flexible Driveshaft.....	30
Labels.....	32
Gasket Kit -- P021011000.....	34
RePower Tune-Up Kit.....	36
Tools.....	38
Part Number Index.....	40
Part Description Index.....	41

***This Page Intentionally Left Blank***



001 0001 000

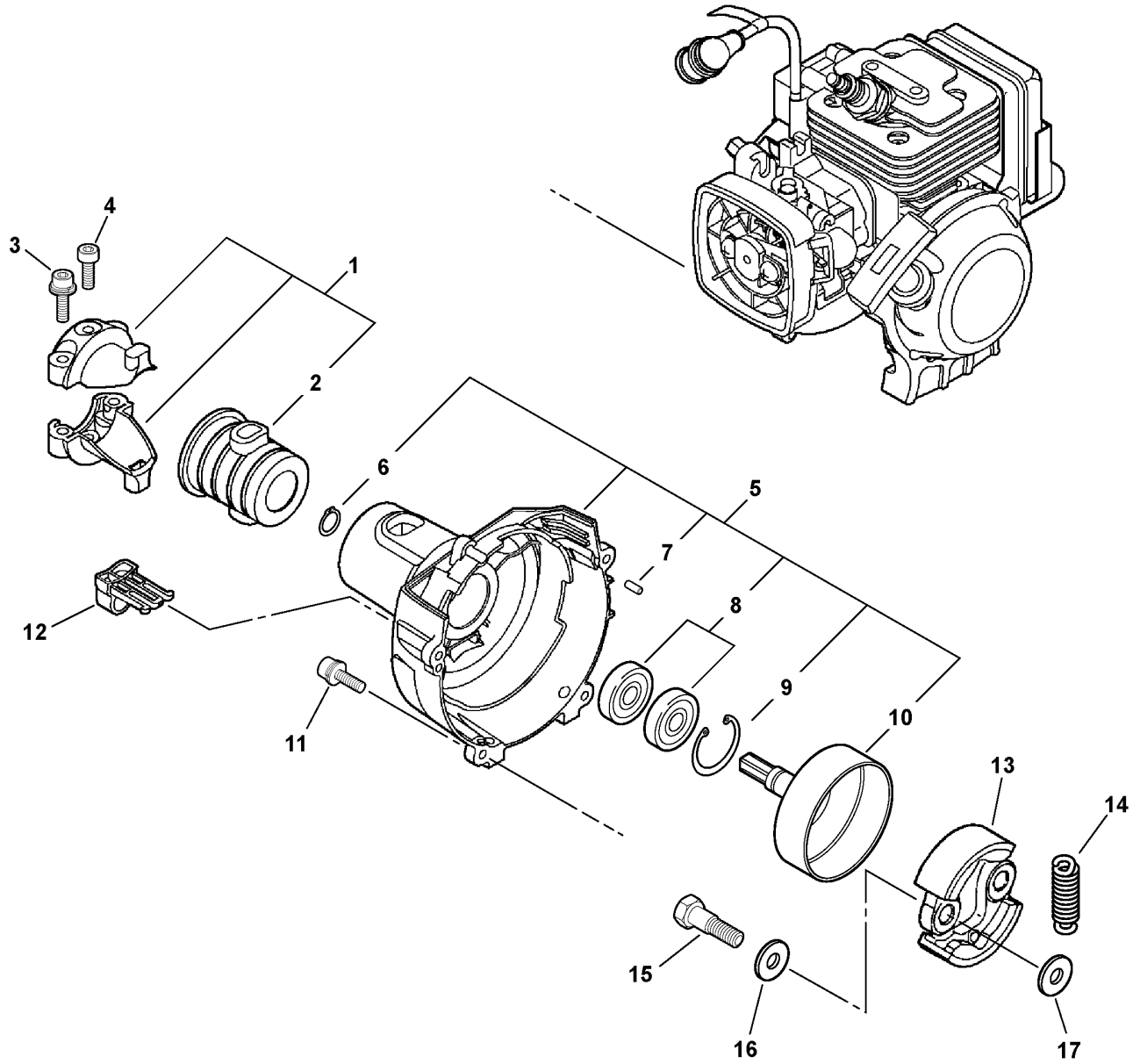
ITEM	PART NUMBER	QTY	DESCRIPTION	REMARKS
1	A232000330	1	LID, AIR CLEANER	
2	V299000250	1	THUMB SCREW	
3	A320000341	1	COVER, MUFFLER	
4	90010605014	1	SCREW 5X14	
5	A160000780	1	COVER, ENGINE	
6	90010605014	1	SCREW 5X14	
7	9114005012	1	BOLT	
8	A162000100	1	GUARD, TOP	
9	90025605016	1	SCREW 5X16	
10	A162000080	1	GUARD, TOP	
11	A160000691	1	COVER, CYLINDER	
12	90010605008	2	SCREW 5X8	



ITEM	PART NUMBER	QTY	DESCRIPTION	REMARKS
1	A175000030	1	STAND	
2	90016205025	4	SCREW 5X25	
3	90060300005	4	WASHER 5	
4	P021013640	1	TANK, FUEL	
5	13100455530	1	CAP ASY	INCLUDES ITEMS 6-7
6	13105156030	1	CONNECTOR, CAP	
7	13101655830	1	GASKET, CAP	
8	A369000000	1	FILTER, FUEL <sup>1</sup>	
9	13201309820	1	CLIP	
10	V470000580	1	PIPE, FUEL - 3X5X195mm	REPOWER BULK OPTION: 90014
11	13211555930	1	GROMMET, FUEL	
12	V471001180	1	PIPE, VENT - 3X6X35mm	REPOWER BULK OPTION: 90015
13	13201326630	1	CLIP	
14	A356000030	1	VENT ASY	
15	13201040830	1	PIPE, RETURN - 3X6X75mm	REPOWER BULK OPTION: 90017

**Footnotes**

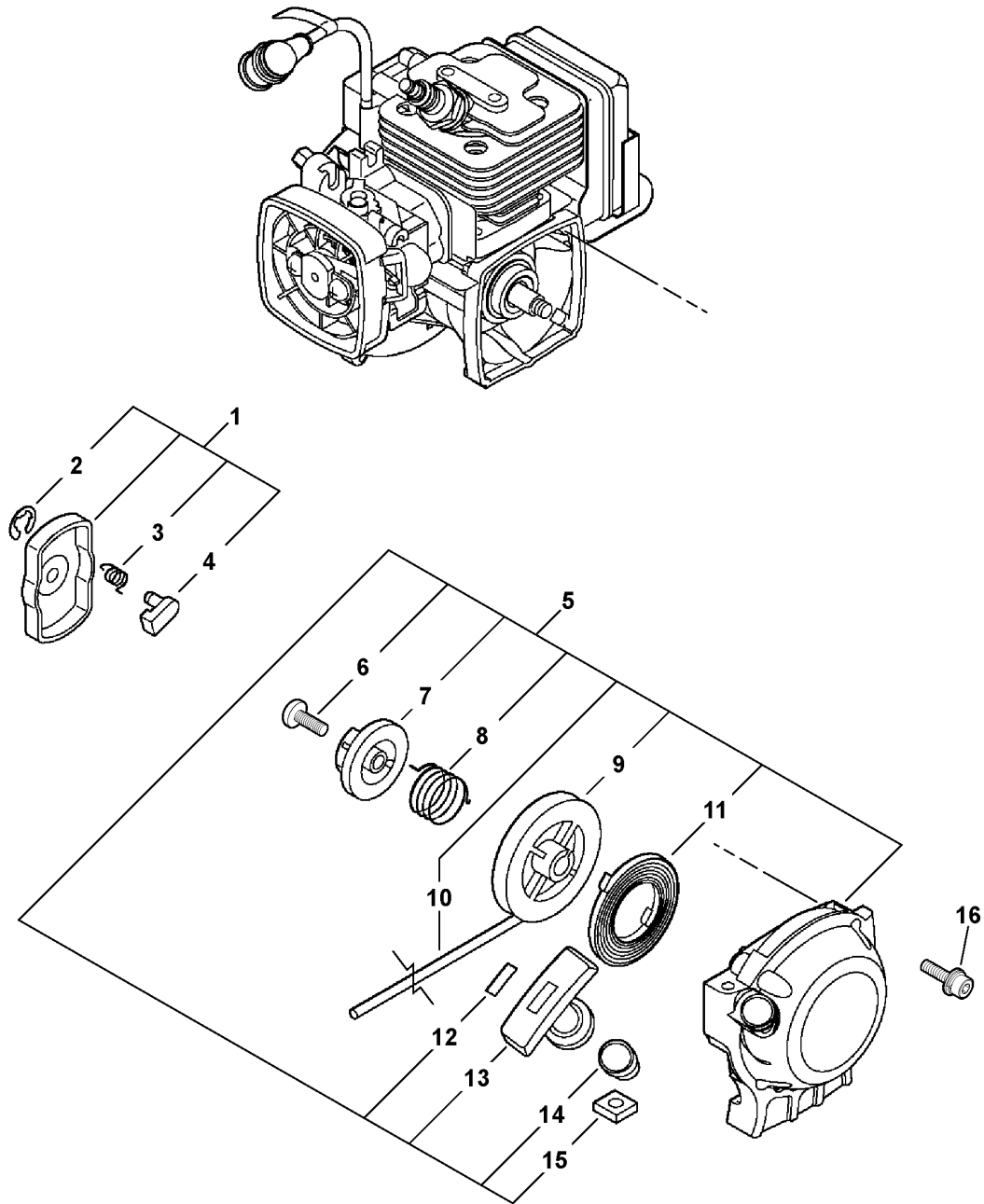
**1:** Also Included In REPOWER TUNE-UP KIT



003 0001 000

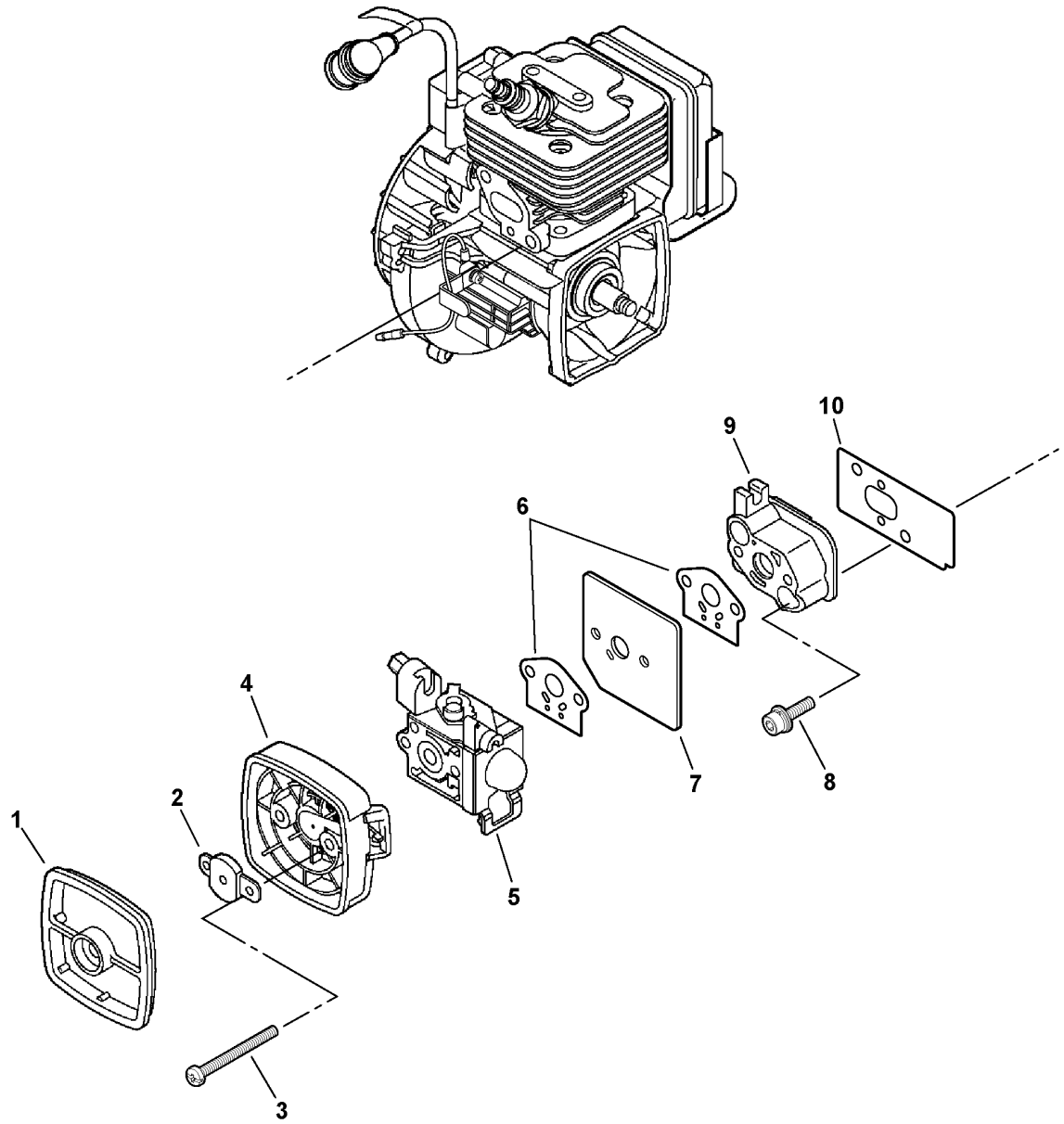


ITEM	PART NUMBER	QTY	DESCRIPTION	REMARKS
1	P021009380	1	MAIN PIPE FIXTURE KIT	INCLUDES ITEM 2
2	V420001081	1	CUSHION	
3	90016205025	2	SCREW 5X25	
4	90010505012	1	SCREW 5X12	
5	P021009790	1	FAN COVER ASY	INCLUDES ITEMS 6-10
6	90070100012	1	CIRCLIP 12	
7	V622000020	2	DOWEL PIN - 4X7.8mm	
8	90080796001	2	BEARING, BALL - 6001	
9	90070200028	1	CIRCLIP 28	
10	A556000390	1	DRUM, CLUTCH	
11	90016304016	4	SCREW 4X16	
12	V491000180	1	CLIP	
13	A553000010	2	SHOE, CLUTCH	
14	V451000400	1	SPRING, CLUTCH	
15	17504656030	2	SHAFT, CLUTCH	
16	17504956030	2	WASHER	
17	17504805530	2	WASHER	



004 0001 000

ITEM	PART NUMBER	QTY	DESCRIPTION	REMARKS
1	A052000180	1	STARTER PULLEY ASY	INCLUDES ITEMS 2-4
2	P022002100	2	E-RING	
3	17723412220	2	SPRING, RETURN	
4	P022006850	2	PAWL, STARTER	
5	A051000940	1	RECOIL STARTER ASY	INCLUDES ITEMS 6-15
6	17723661830	1	SCREW	
7	P022008280	1	PLATE, CAM	
8	P022008270	1	SPRING, DAMPER	
9	P022006830	1	DRUM	
10	P022008260	1	ROPE, STARTER - 3X700mm	REPOWER BULK OPTION: 99944440000
11	17722042030	1	SPRING, REWIND	
12	17724611120	1	STOPPER, ROPE	
13	17722827030	1	GRIP, STARTER	
14	17722742030	1	GUIDE, ROPE	
15	90056500005	4	NUT	
16	90016304016	4	SCREW 4X16	

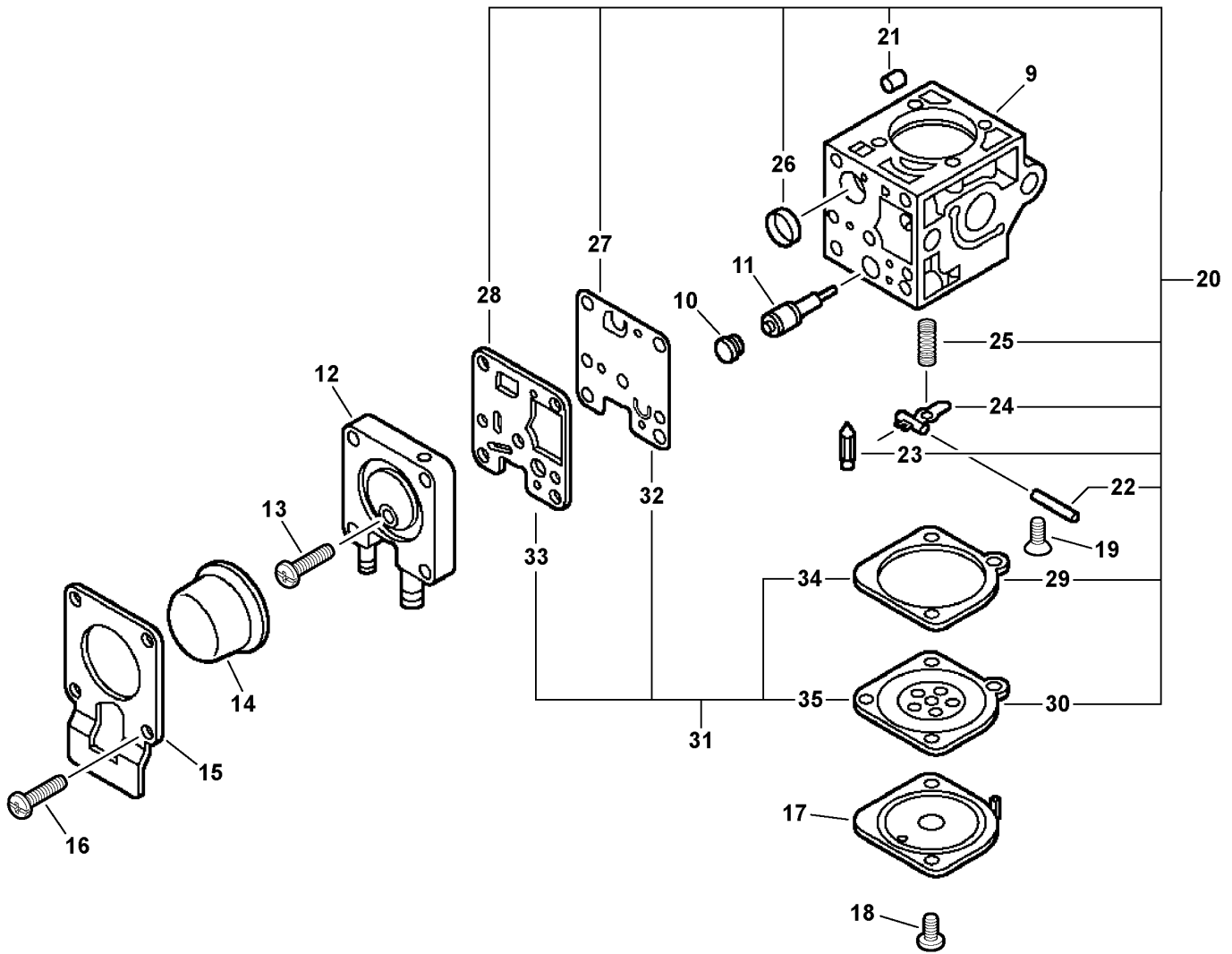
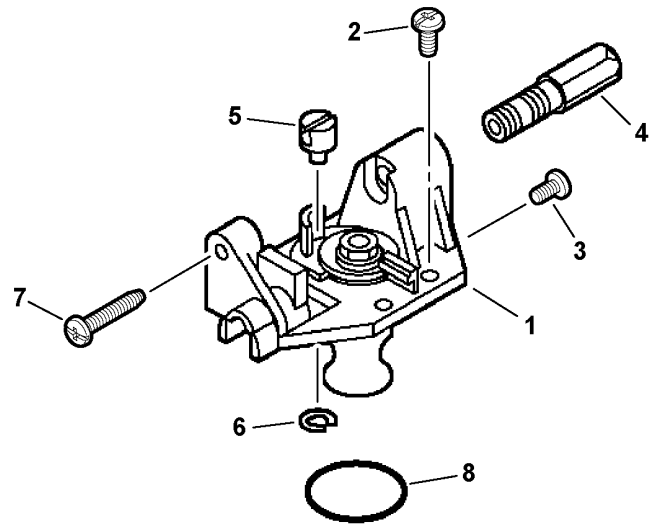


005 0001 000

ITEM	PART NUMBER	QTY	DESCRIPTION	REMARKS
1	13031054130	1	FILTER, AIR <sup>1</sup>	
2	12901152730	1	PLATE, PREVENT	
3	90024205065	2	SCREW 5X65	
4	P021004480	1	CASE, AIR CLEANER - BLACK	
5	-----	1	CARBURETOR	See Carburetor Diagram For Additional Information
6	V103000270	2	GASKET, INTAKE <sup>2</sup>	
7	A209000140	1	PLATE, INSULATOR	
8	90016205025	2	SCREW 5X25	
9	A200000200	1	INSULATOR, INTAKE	
10	V103000210	1	GASKET, INTAKE <sup>2</sup>	

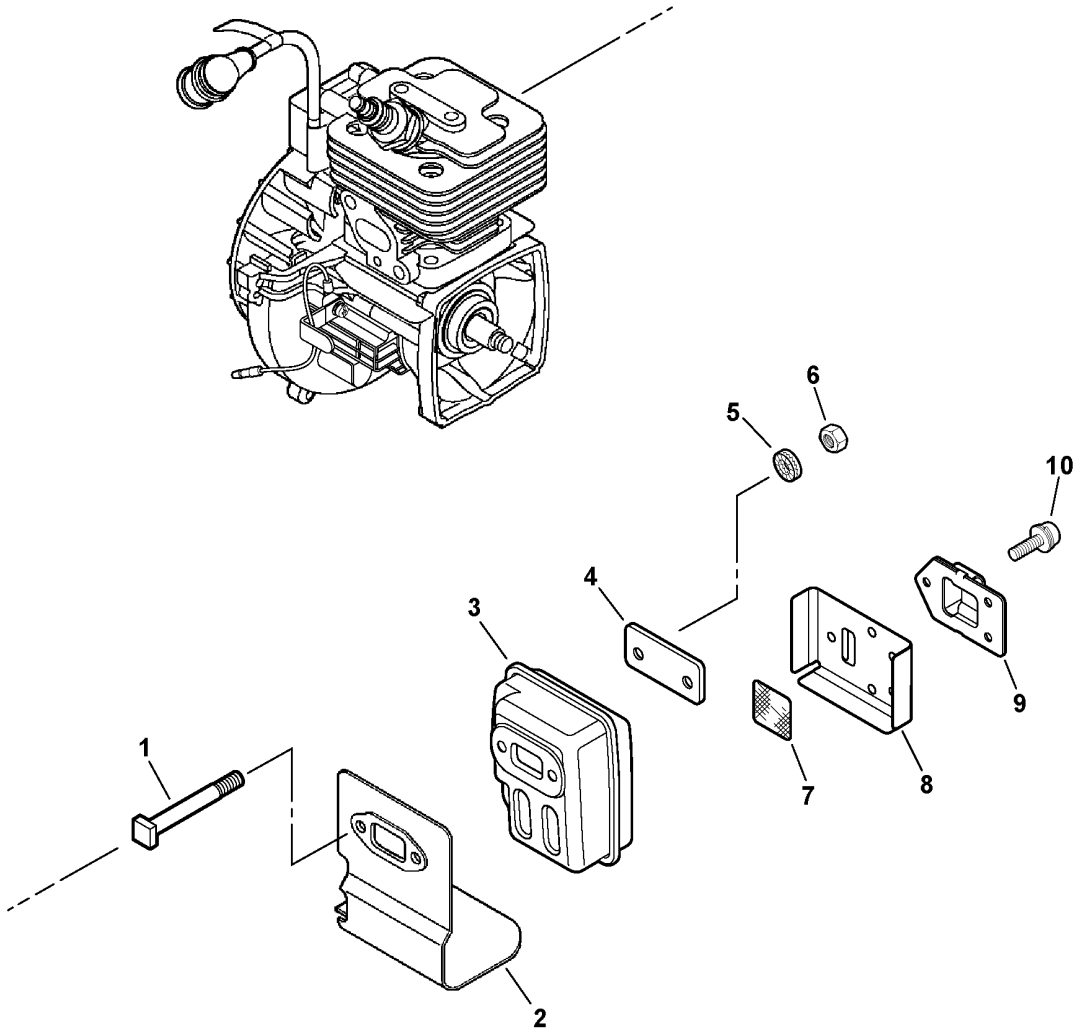
**Footnotes**

- 1:** Also Included In REPOWER TUNE-UP KIT
- 2:** Also Included In GASKET KIT



RBK84 0000 000

ITEM	PART NUMBER	QTY	DESCRIPTION	REMARKS
	A021001200	1	CARBURETOR -- RB-K84	
1	P005001980	1	ROTOR COVER ASY	
2	12534413931	3	SCREW, ROTOR COVER ASY	
3	12534452130	1	SCREW	
4	P005001330	1	SCREW, CABLE ADJUST	
5	P005001240	1	SWIVEL	
6	P005000190	1	E-RING	
7	P005000100	1	SCREW, THROTTLE ADJUST	
8	P005000280	1	O-RING	
9	-----	1	BODY, CARBURETOR	NOT AVAILABLE SEPARATELY
10	P005001270	1	PLUG	
11	P005001290	1	NEEDLE - HIGH SPEED	
12	P005001890	1	PURGE BASE ASY	
13	P005000270	1	SCREW, PURGE BASE ASY	
14	12538108660	1	BULB, PURGE	
15	P005000250	1	RETAINER, PURGE BULB	
16	P005001900	4	SCREW, PURGE PUMP RETAINER	
17	12534252130	1	COVER, DIAPHRAGM	
18	12534452130	2	SCREW, DIAPHRAGM COVER	
19	12533942030	1	SCREW, METERING LEVER PIN	
20	P005001990	1	REPAIR KIT	INCLUDES ITEMS 21-30
21	P005001000	1	ROLLER, GUIDE	
22	-----	1	PIN, METERING LEVER	
23	-----	1	VALVE, INLET NEEDLE	
24	-----	1	LEVER, METERING	
25	-----	1	SPRING, METERING LEVER	
26	-----	1	STRAINER	
27	-----	1	DIAPHRAGM, PUMP	
28	-----	1	GASKET, PUMP	
29	-----	1	GASKET, METERING	
30	-----	1	DIAPHRAGM, METERING	
31	P005001660	1	DIAPHRAGM/GASKET KIT	INCLUDES ITEMS 32-35
32	-----	1	DIAPHRAGM, PUMP	
33	-----	1	GASKET, PUMP	
34	-----	1	GASKET, METERING	
35	-----	1	DIAPHRAGM, METERING	



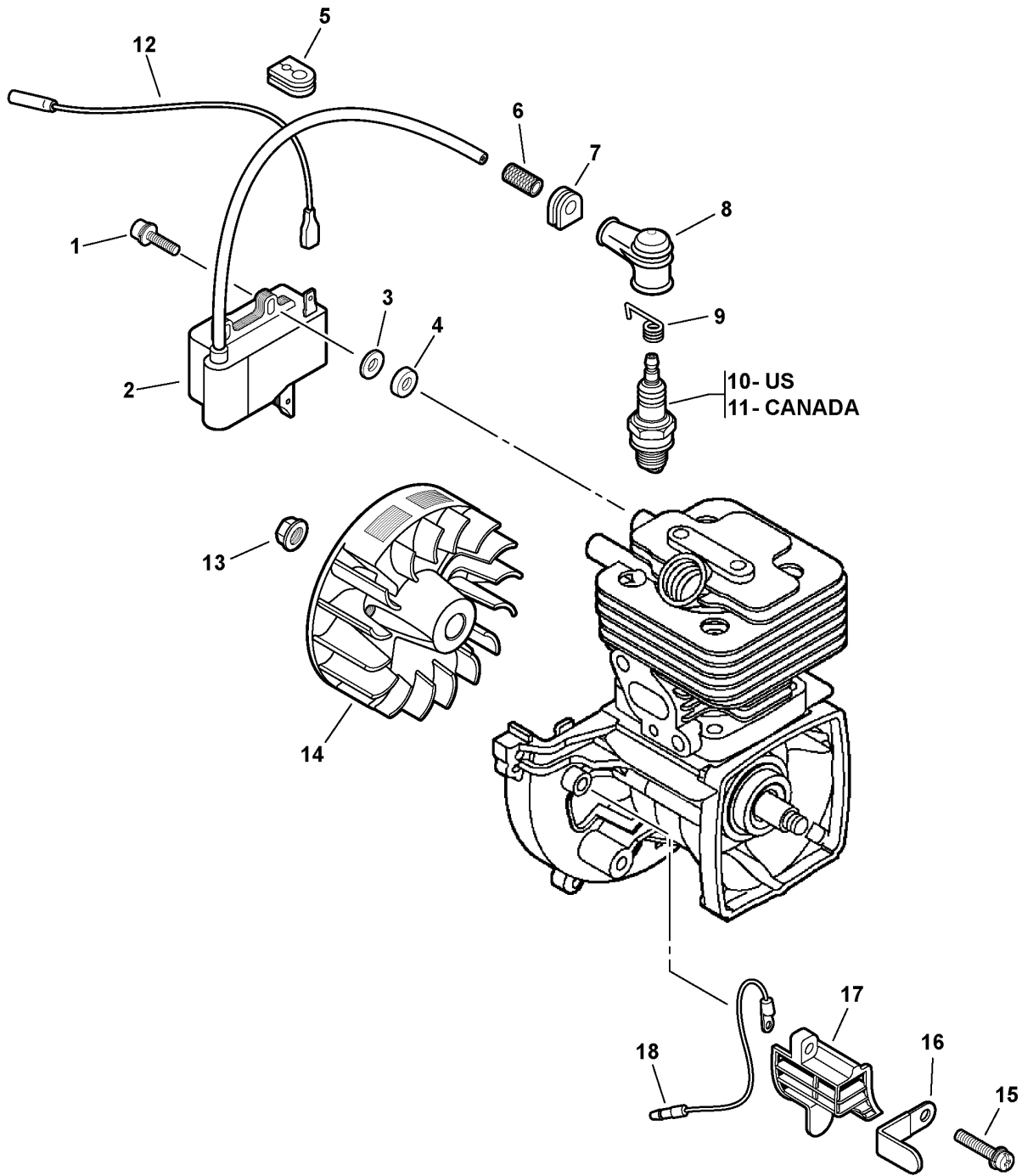
006 0001 000



ITEM	PART NUMBER	QTY	DESCRIPTION	REMARKS
1	V203000120	2	BOLT 5	
2	V104000780	1	SHIELD, EXHAUST <sup>1</sup>	
3	A300000670	1	MUFFLER	
4	V150001760	1	EYE PLATE	
5	9228005000	2	WASHER	
6	90050000005	2	NUT 5	
7	14586240630	1	SCREEN, MUFFLER	
8	V104000790	1	GASKET, EXHAUST <sup>1</sup>	
9	A313000830	1	GUIDE, EXHAUST	
10	9136704012	3	SCREW 4X12	

**Footnotes**

1: Also Included In GASKET KIT

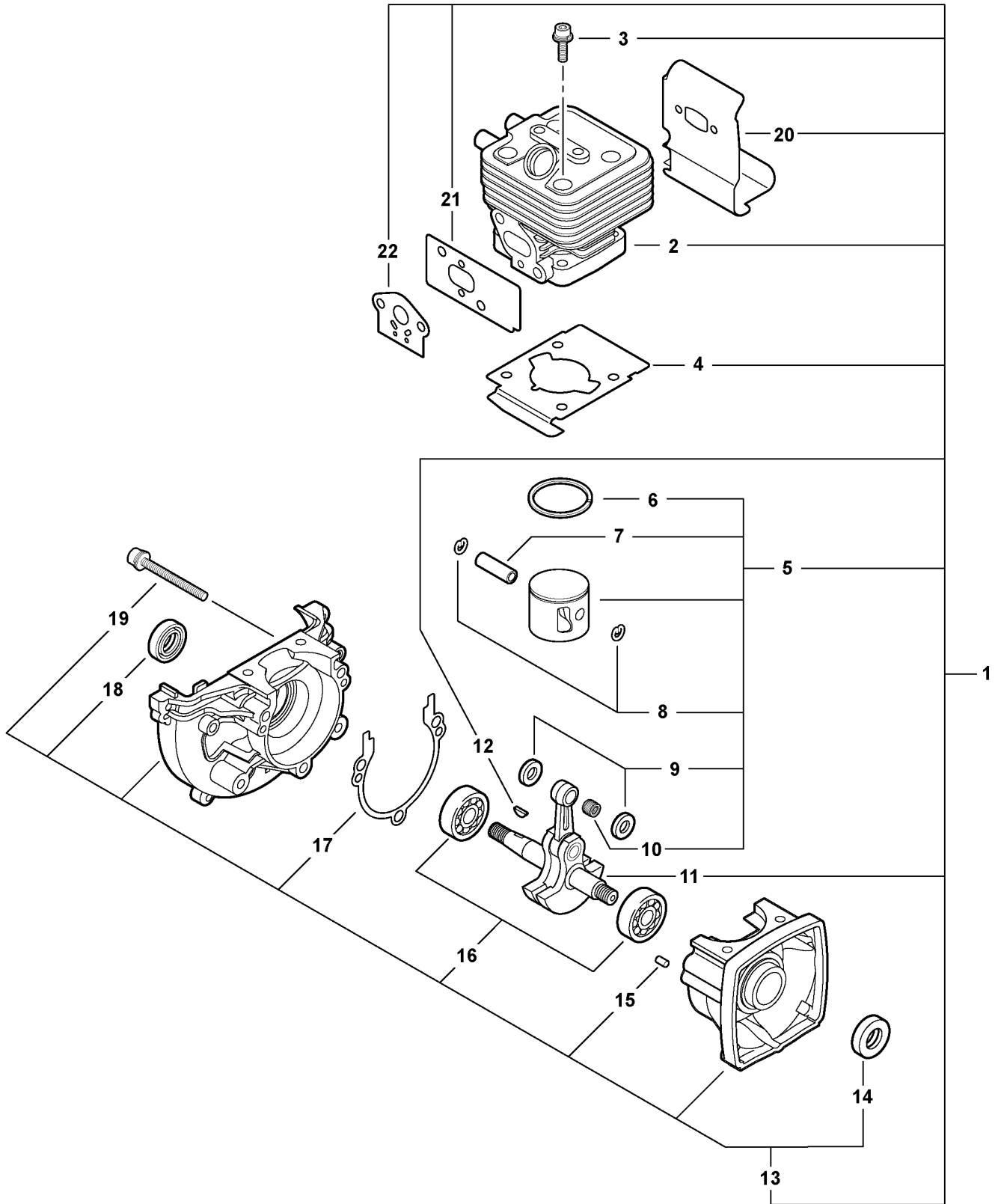


007 0001 000

ITEM	PART NUMBER	QTY	DESCRIPTION	REMARKS
1	V202000130	2	BOLT 4	
2	A411000250	1	COIL, IGNITION	
3	90060300004	2	WASHER	
4	V322000031	2	INSULATOR	
5	V135000030	1	GROMMET	
6	V475003380	1	TUBE, INSULATOR	
7	15611004920	1	BUSHING	
8	A427000013	1	CAP, SPARK PLUG	
9	A426000010	1	TERMINAL, SPARK PLUG CAP	
10	15901019830	1	SPARK PLUG -- BPM-8Y <sup>1</sup>	
11	A425000000	1	SPARK PLUG -- BPMR-8Y <sup>1</sup>	CANADA MODELS
12	16201004561	1	LEAD, IGNITION	
13	90051500008	1	FLANGE NUT 8	
14	A409000310	1	FLYWHEEL	
15	90016205016	1	SCREW 5X16	
16	15911621231	1	CLAMP	
17	A127000160	1	COVER, DUST	
18	15663543130	1	LEAD, GROUND	

**Footnotes**

**1:** Also Included In REPOWER TUNE-UP KIT

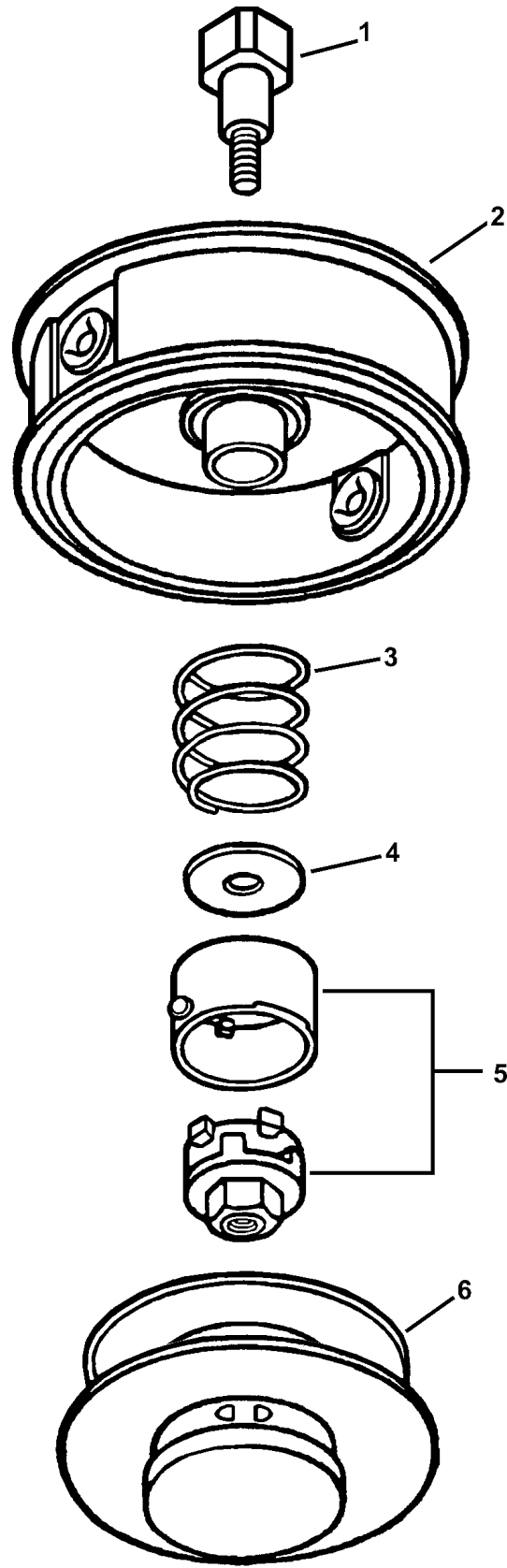


SB1090 0000 000

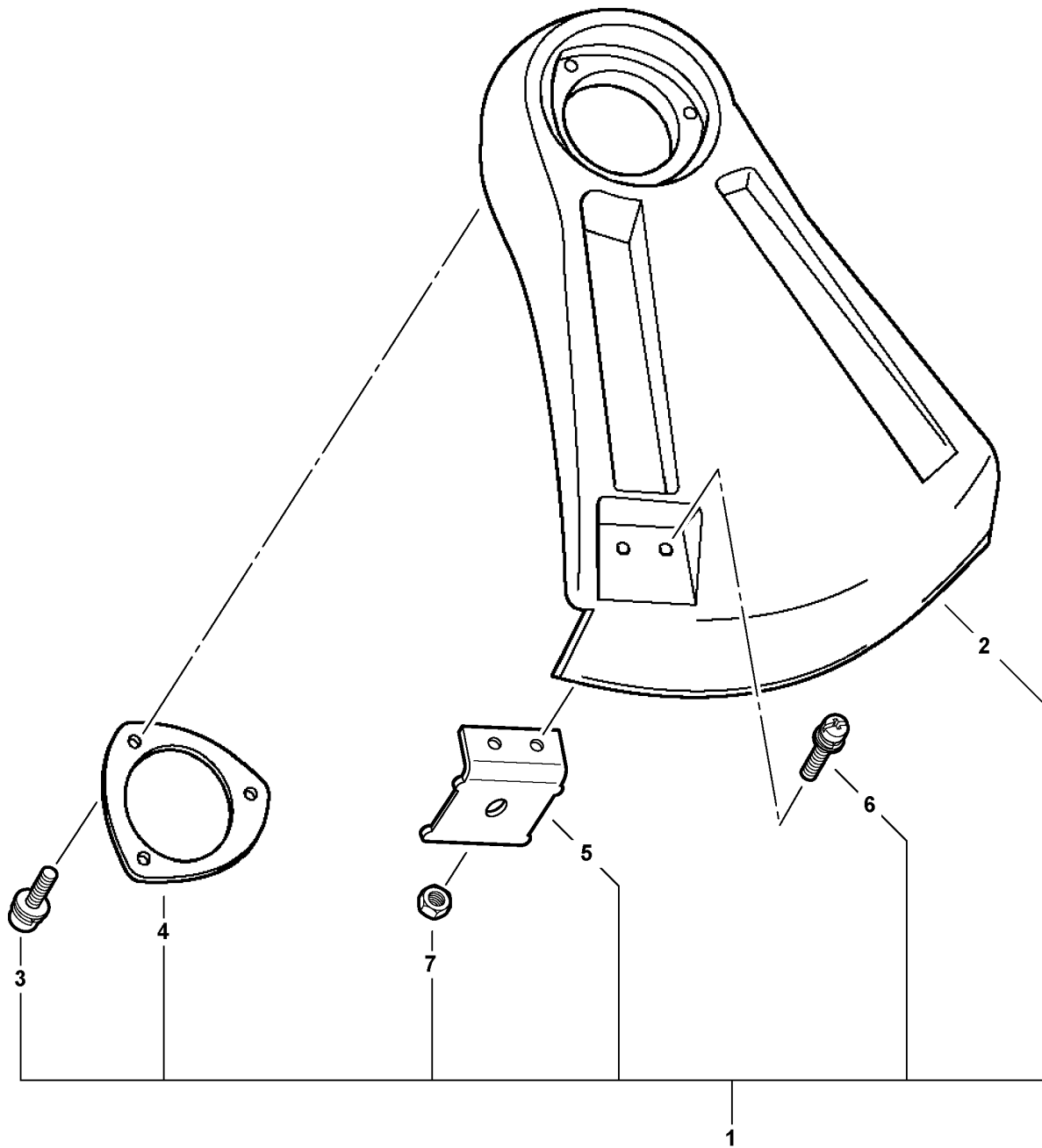
ITEM	PART NUMBER	QTY	DESCRIPTION	REMARKS
1	SB1090	1	SHORT BLOCK	INCLUDES ITEMS 2-22
2	A130000761	1	CYLINDER	
3	90016205025	4	SCREW 5X25	
4	V100000210	1	GASKET, CYLINDER <sup>1</sup>	
5	P021009771	1	PISTON KIT	INCLUDES ITEMS 6-10
6	A101000170	1	RING, PISTON	
7	10001335430	1	PIN, PISTON	
8	10001503931	2	CIRCLIP, PISTON PIN	
9	10001453630	2	SPACER, PISTON PIN	
10	10001216131	1	BEARING, NEEDLE	
11	A011000434	1	CRANKSHAFT ASY	
12	10014212330	1	WOODRUFF KEY	
13	P021010801	1	CRANKCASE KIT	INCLUDES ITEMS 14-19
14	V505000050	1	OILSEAL	
15	V622000020	2	DOWEL PIN - 4X7.8mm	
16	9403536201	2	BEARING, BALL - 6201	
17	10024242030	1	GASKET, CRANKCASE <sup>1</sup>	
18	10021242031	1	OIL SEAL	
19	90016205028	3	SCREW 5X28	
20	V104000780	1	SHIELD, EXHAUST <sup>1</sup>	
21	V103000210	1	GASKET, INTAKE <sup>1</sup>	
22	V103000270	1	GASKET, INTAKE <sup>1</sup>	

**Footnotes**

1: Also Included In GASKET KIT



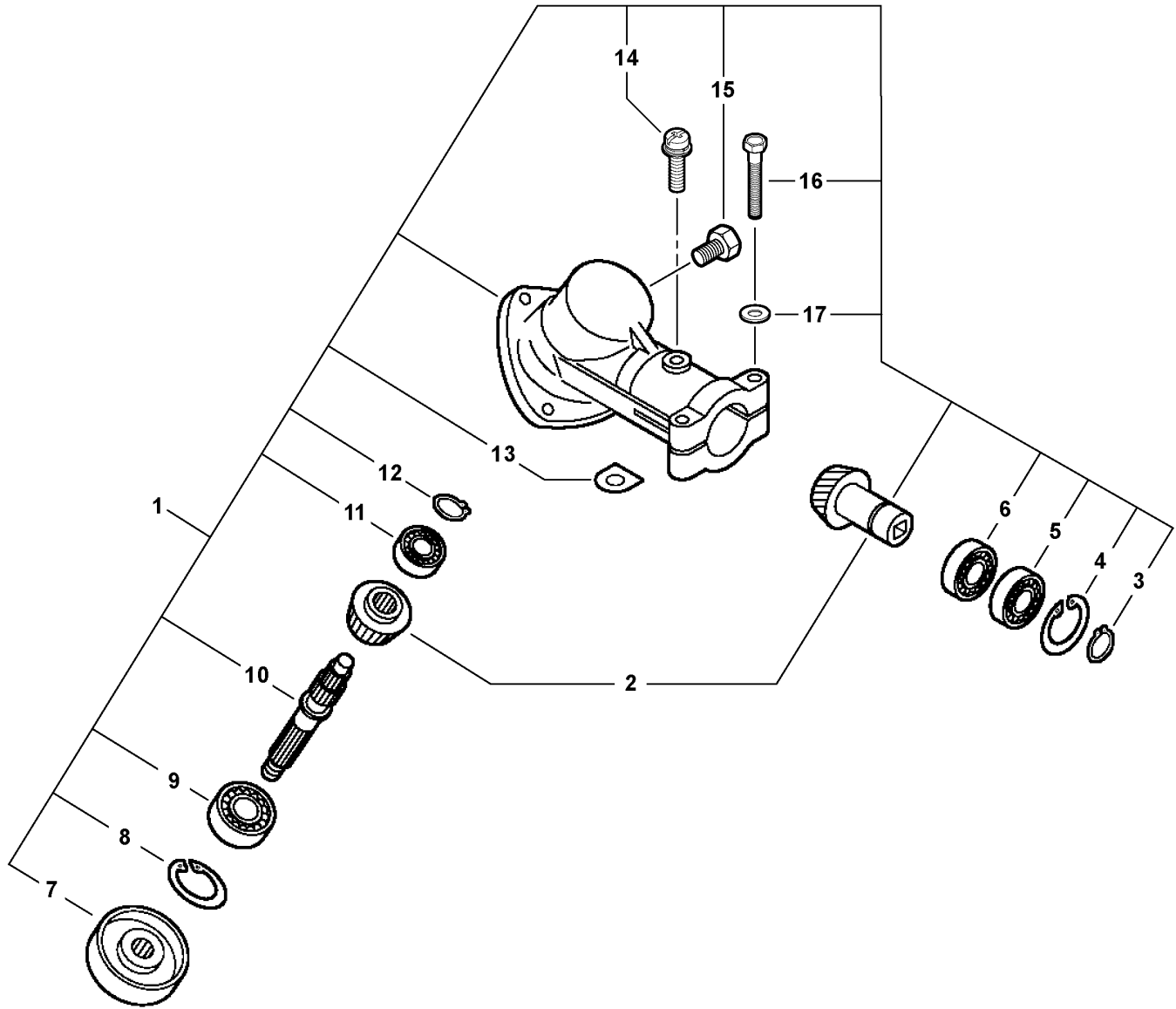
ITEM	PART NUMBER	QTY	DESCRIPTION	REMARKS
	21560050		SEMI-AUTO HEAD ASSEMBLY	
1	215601	1	BOLT, SHAFT	
2	215602	1	DRUM W/EYELETS	
3	215603	1	SPRING	
4	215604	1	WASHER	
5	215609	1	OUTER DRIVE AND INNER CAM	
6	215607	1	SPOOL	



034 0001 000

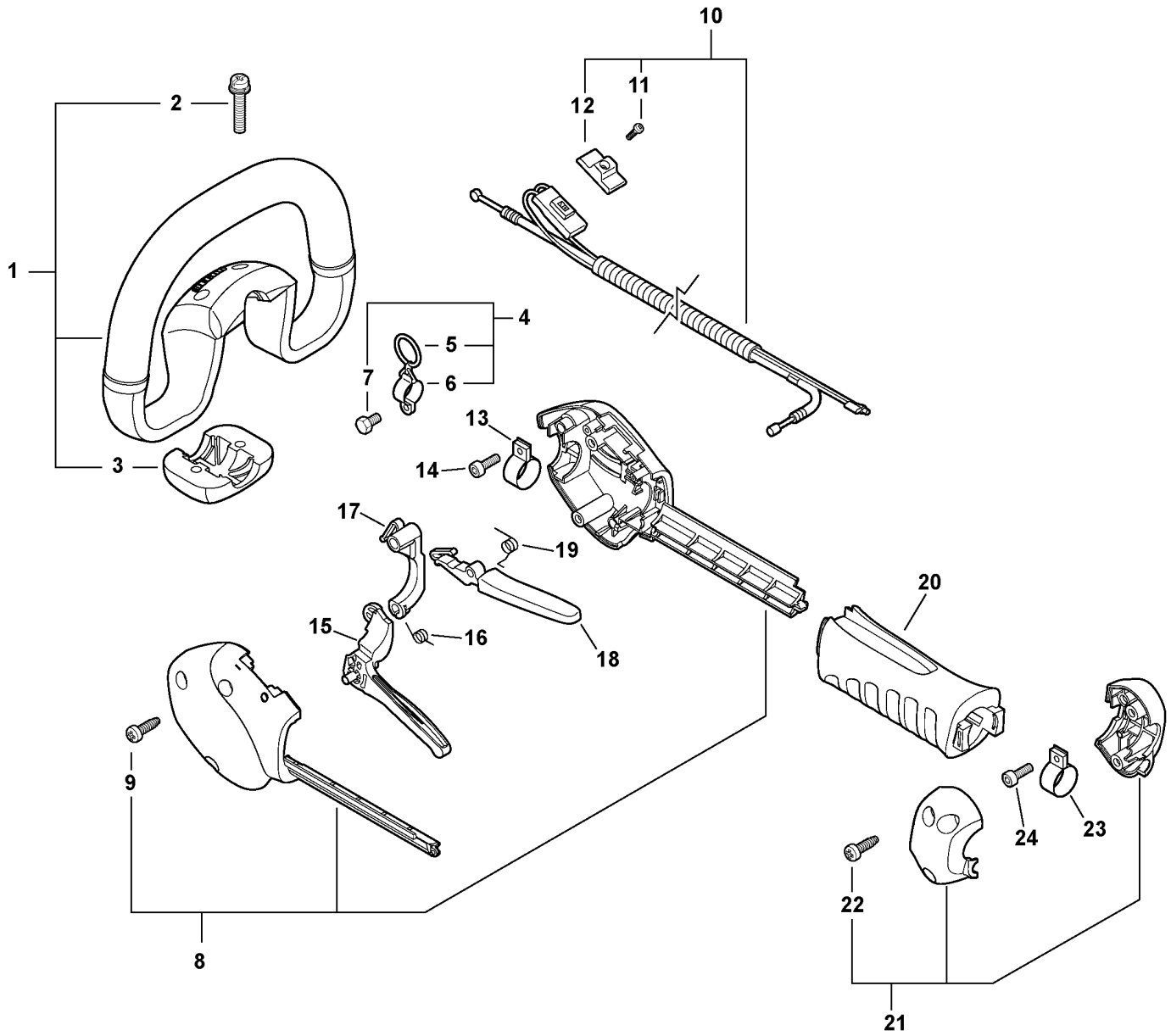


ITEM	PART NUMBER	QTY	DESCRIPTION	REMARKS
1	P021001392	1	PLASTIC SHIELD KIT	INCLUDES ITEMS 2-7
2	C550000031	1	SHIELD - PLASTIC	
3	90023805020	3	SCREW 5X20	
4	C552000110	1	FLANGE, SHIELD	
5	69901644330	1	CUTTER, LINE	
6	90023805016	2	SCREW 5X16	
7	90050000005	2	NUT 5	



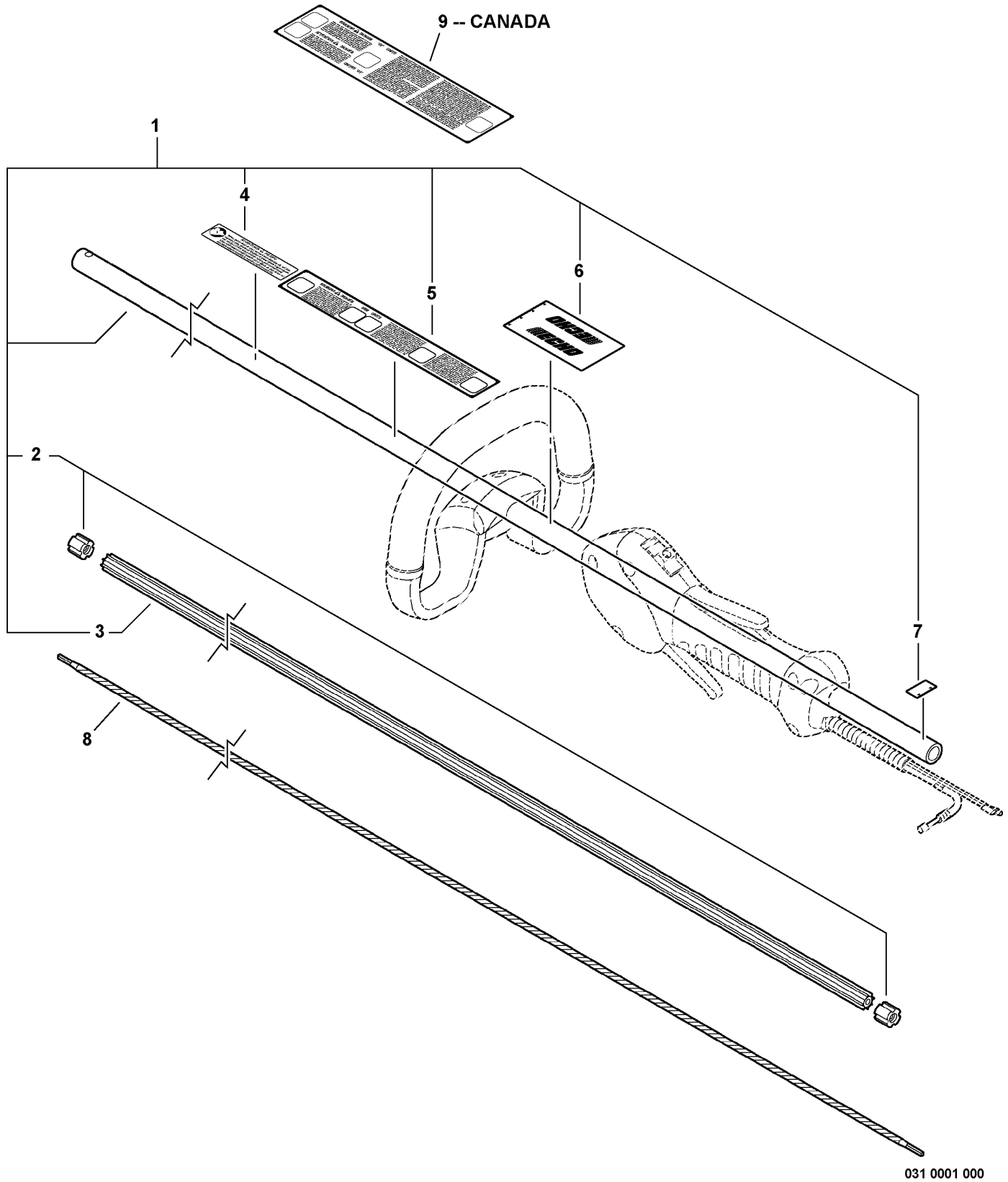
032 0014 00T

ITEM	PART NUMBER	QTY	DESCRIPTION	REMARKS
1	P021013430	1	GEAR CASE ASY	INCLUDES ITEMS 2-17
2	V000000020	1	GEAR SET	
3	90070600010	1	CIRCLIP 10	
4	90070200022	1	CIRCLIP 22	
5	90085806900	1	BEARING, BALL - 6900Z	
6	90085506900	1	BEARING, BALL - 6900	
7	C535000320	1	PLATE, ADAPTER (UPPER)	
8	90070200042	1	CIRCLIP 42	
9	90081206302	1	BEARING, BALL - 6302	
10	C534000220	1	SHAFT, GEAR	
11	90081000629	1	BEARING, BALL - 629	
12	90070600012	1	CIRCLIP 12	
13	61023904130	2	SHIM WASHER	
14	90024205014	1	SCREW 5X14	
15	61043450031	1	BOLT 8X8	
16	90010005035	2	BOLT 5X35	
17	90060000005	2	WASHER 5	

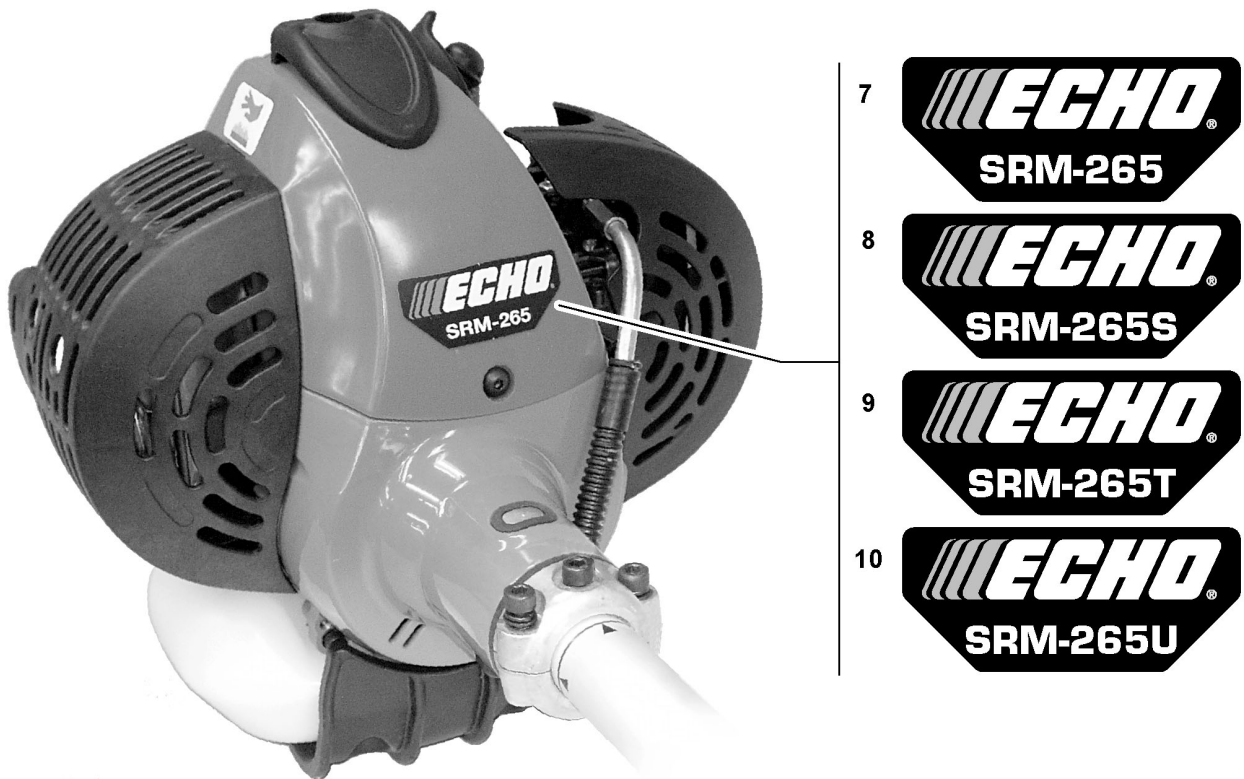
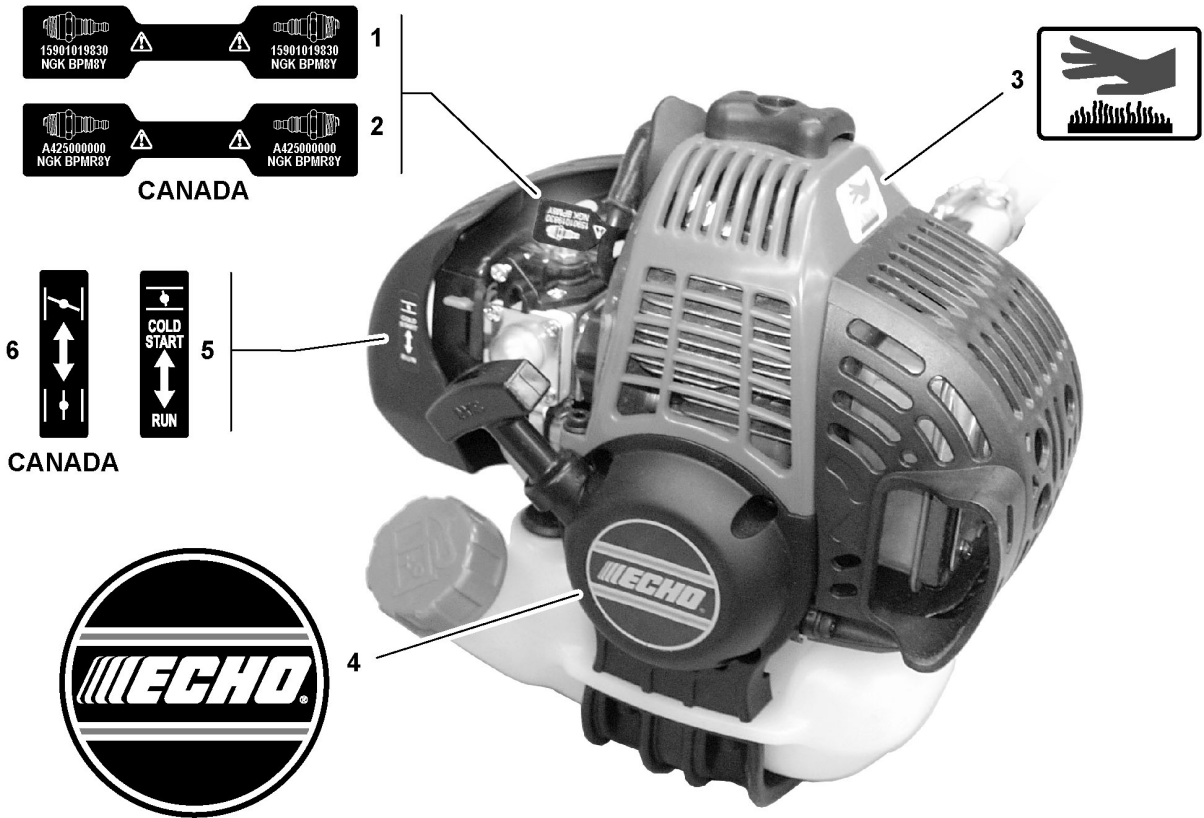


030 0001 000

ITEM	PART NUMBER	QTY	DESCRIPTION	REMARKS
1	P021008322	1	FRONT HANDLE KIT	INCLUDES ITEMS 2-3
2	90024205040	2	SCREW 5X40	
3	C423000190	1	FIXTURE, HANDLE	
4	C646000060	1	HARNESS HANGER KIT	INCLUDES ITEMS 5-7
5	30101505330	1	RING	
6	30120521330	1	CLAMP	
7	90010005012	1	BOLT 5X12	
8	P021009960	1	CONTROL HANDLE KIT	INCLUDES ITEM 9
9	88995021060	2	SCREW 4X22 - TAPPING	
10	V043000071	1	THROTTLE CABLE ASY	INCLUDES ITEMS 11-12
11	9154503010	1	SCREW 3X10	
12	A444000020	1	KNOB, SWITCH	
13	V495000680	1	CLAMP	
14	90016205020	1	SCREW 5X20	
15	C450000180	1	TRIGGER, THROTTLE	
16	V452000211	1	SPRING, TRIGGER RETURN	
17	C453000151	1	LOCKOUT, TRIGGER	
18	C460000050	1	LEVER, LOCKOUT	
19	V452000240	1	SPRING, LEVER RETURN	
20	C412000090	1	GRIP, HANDLE	
21	P021009970	1	HANDLE FIXTURE SET	INCLUDES ITEM 22
22	88995021060	2	SCREW 4X22 - TAPPING	
23	V495000680	1	CLAMP	
24	90016205020	1	SCREW 5X20	



ITEM	PART NUMBER	QTY	DESCRIPTION	REMARKS
1	C050000530	1	MAIN PIPE ASY	INCLUDES ITEMS 2-7
2	61024644730	2	STOPPER	
3	61021744730	1	LINER, MAIN PIPE	
4	89022809560	1	LABEL - CAUTION -- SPANISH	
5	89016054130	1	LABEL - CAUTION	
6	X505001930	1	LABEL - HANDLE LOCATION	
7	89015204930	1	LABEL - PIPE LOCATION	
8	61001344730	1	DRIVESHAFT - FLEXIBLE	
9	89031749030	1	LABEL - CAUTION	CANADA MODELS



100 0047 000



ITEM	PART NUMBER	QTY	DESCRIPTION	REMARKS
1	X532000671	1	LABEL - SPARK PLUG -- BPM-8Y	
2	X532000720	1	LABEL - SPARK PLUG -- BPMR-8Y <sup>1</sup>	
3	X505002310	1	LABEL, CAUTION - HOT	
4	X502000310	1	LABEL - ECHO	
5	89012152730	1	LABEL - CHOKE	
6	89033252730	1	LABEL - CHOKE <sup>1</sup>	
7	X547000350	1	LABEL - MODEL -- SRM-265	
8	X547000360	1	LABEL - MODEL -- SRM-265S	
9	X547000400	1	LABEL - MODEL -- SRM-265T	
10	X547000630	1	LABEL - MODEL -- SRM-265U	

**Footnotes**

1: CANADA MODELS

<b>Use Gasket Kit</b>	<b>Contains:</b>	<b>Service Number</b>	<b>Description</b>
P021011000		10024242030	GASKET, CRANKCASE
		V100000210	GASKET, CYLINDER
		V103000210	SHIELD, INTAKE
		V103000270	GASKET, INTAKE
		V104000780	SHIELD, EXHAUST
		V104000790	GASKET, EXHAUST

300 0026 000

---

<u>ITEM</u>	<u>PART NUMBER</u>	<u>QTY</u>	<u>DESCRIPTION</u>	<u>REMARKS</u>
1	P021011000	1	GASKET KIT	

---

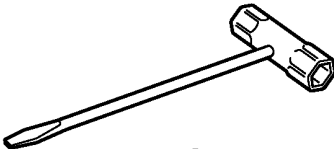
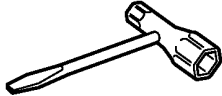
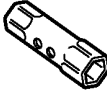

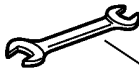






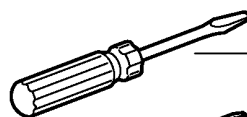
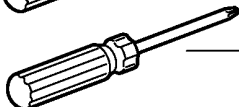

<b>RePower Tune-Up Kit</b>	<b>Contains: Service Number</b>	<b>Description</b>
90074	13031054130	AIR FILTER
	13120507320	FUEL FILTER
	15901019830	SPARK PLUG BPM-8Y

400 0001 US0

---

<u>ITEM</u>	<u>PART NUMBER</u>	<u>QTY</u>	<u>DESCRIPTION</u>	<u>REMARKS</u>
1	90074	1	TUNE-UP KIT	

---

	<b>SOCKET WRENCH W/SCREWDRIVER (Also Removes Spark Plugs)</b>
	1 - 89541010630 -- 17X19mm
	2 - X602000020 -- 17X19mm
	3 - 89541039131 -- 10X19mm
	4 - 89541006960 -- 13X19mm
	<b>SOCKET WRENCH</b>
	5 - X602000031 -- 17X14.5mm
	<b>LOCKING ROD</b>
	6 - 89751801131 -- 5X120mm
	<b>OPEN END WRENCH</b>
	7 - 89511200330 -- 8X10mm
	8 - 89512220960 -- 17X19mm
	9 - 89501505260 -- 10mm
	<b>HEX BAR</b>
	10 - 89541220960 -- 10mm
	<b>HEX KEY</b>
	11 - 89561203430 -- 3mm
	12 - 89561000130 -- 4mm
	13 - 89561100330 -- 5mm
	<b>TORX KEY</b>
	14 - X605000060 -- T27
	<b>SCREWDRIVER</b>
	15 - 89581100130 -- 125mm SLOTTED
	16 - 89581203930 -- 50mm PHILLIPS
	<b>CHUCK KEY</b>
	17 - 89757005560

**Consult Your Operators Manual For The Tools Used With Your Model**

200 0002 000

ITEM	PART NUMBER	QTY	DESCRIPTION	REMARKS
1	89541010630	1	SOCKET WRENCH/SCREWDRIVER	17X19mm
2	X602000020	1	SOCKET WRENCH/SCREWDRIVER	17X19mm
3	89541039131	1	SOCKET WRENCH/SCREWDRIVER	10X19mm
4	89541006960	1	SOCKET WRENCH/SCREWDRIVER	13X19mm
5	X602000031	1	SOCKET WRENCH	17X14.5mm
6	89751801131	1	LOCKING ROD	5X120mm
7	89511200330	1	OPEN END WRENCH	8X10mm
8	89512220960	1	OPEN END WRENCH	17X19mm
9	89501505260	1	OPEN END WRENCH	10mm
10	89541220960	1	HEX BAR	10mm
11	89561203430	1	HEX KEY	3mm
12	89561000130	1	HEX KEY	4mm
13	89561100330	1	HEX KEY	5mm
14	X605000060	1	TORX KEY	T27
15	89581100130	1	SCREWDRIVER	125mm SLOT HEAD
16	89581203930	1	SCREWDRIVER	50mm CROSS HEAD
17	89757005560	1	CHUCK KEY	



# Part Number Index

Click The Page Number After Any Part Number To View The Diagram Containing That Part.

Part Number	Page	Part Number	Page	Part Number	Page	Part Number	Page
-----	13, 15	90010005012	29	C534000220	27	X602000031	39
10001216131	21	90010005035	27	C535000320	27	X605000060	39
10001335430	21	90010505012	9	C550000031	25		
10001453630	21	90010605008	5	C552000110	25		
10001503931	21	90010605014	5	C646000060	29		
10014212330	21	90016205016	19	P005000100	15		
10021242031	21	90016205020	29	P005000190	15		
10024242030	21	90016205025	7, 9, 13, 21	P005000250	15		
12533942030	15	90016205028	21	P005000270	15		
12534252130	15	90016304016	9, 11	P005000280	15		
12534413931	15	90023805016	25	P005001000	15		
12534452130	15	90023805020	25	P005001240	15		
12538108660	15	90024205014	27	P005001270	15		
12901152730	13	90024205040	29	P005001290	15		
13031054130	13	90024205065	13	P005001330	15		
13100455530	7	90025605016	5	P005001660	15		
13101655830	7	90050000005	17, 25	P005001890	15		
13105156030	7	90051500008	19	P005001900	15		
13201040830	7	90056500005	11	P005001980	15		
13201309820	7	90060000005	27	P005001990	15		
13201326630	7	90060300004	19	P021001392	25		
13211555930	7	90060300005	7	P021004480	13		
14586240630	17	90070100012	9	P021008322	29		
15611004920	19	90070200022	27	P021009380	9		
15663543130	19	90070200028	9	P021009771	21		
15901019830	19	90070200042	27	P021009790	9		
15911621231	19	90070600010	27	P021009960	29		
16201004561	19	90070600012	27	P021009970	29		
17504656030	9	90074	37	P021010801	21		
17504805530	9	90080796001	9	P021011000	35		
17504956030	9	90081000629	27	P021013430	27		
17722042030	11	90081206302	27	P021013640	7		
17722742030	11	90085506900	27	P022002100	11		
17722827030	11	90085806900	27	P022006830	11		
17723412220	11	9114005012	5	P022006850	11		
17723661830	11	9136704012	17	P022008260	11		
17724611120	11	9154503010	29	P022008270	11		
21560050	23	9228005000	17	P022008280	11		
215601	23	9403536201	21	SB1090	21		
215602	23	A011000434	21	V000000020	27		
215603	23	A021001200	15	V043000071	29		
215604	23	A051000940	11	V100000210	21		
215607	23	A052000180	11	V103000210	13, 21		
215609	23	A101000170	21	V103000270	13, 21		
30101505330	29	A127000160	19	V104000780	17, 21		
30120521330	29	A130000761	21	V104000790	17		
61001344730	31	A160000691	5	V135000030	19		
61021744730	31	A160000780	5	V150001760	17		
61023904130	27	A162000080	5	V202000130	19		
61024644730	31	A162000100	5	V203000120	17		
61043450031	27	A175000030	7	V299000250	5		
69901644330	25	A200000200	13	V322000031	19		
88995021060	29	A209000140	13	V420001081	9		
89012152730	33	A232000330	5	V451000400	9		
89015204930	31	A300000670	17	V452000211	29		
89016054130	31	A313000830	17	V452000240	29		
89022809560	31	A320000341	5	V470000580	7		
89031749030	31	A356000030	7	V471001180	7		
89033252730	33	A369000000	7	V475003380	19		
89501505260	39	A409000310	19	V491000180	9		
89511200330	39	A411000250	19	V495000680	29		
89512220960	39	A425000000	19	V505000050	21		
89541006960	39	A426000010	19	V622000020	9, 21		
89541010630	39	A427000013	19	X502000310	33		
89541039131	39	A444000020	29	X505001930	31		
89541220960	39	A553000010	9	X505002310	33		
89561000130	39	A556000390	9	X532000671	33		
89561100330	39	C050000530	31	X532000720	33		
89561203430	39	C412000090	29	X547000350	33		
89581100130	39	C423000190	29	X547000360	33		
89581203930	39	C450000180	29	X547000400	33		
89751801131	39	C453000151	29	X547000630	33		
89757005560	39	C460000050	29	X602000020	39		





# Part Description Index

Click The Page Number After Any Part Description To View The Diagram Containing That Part.

## B

BEARING, BALL - 6001.....9  
 BEARING, BALL - 6201.....21  
 BEARING, BALL - 629.....27  
 BEARING, BALL - 6302.....27  
 BEARING, BALL - 6900.....27  
 BEARING, BALL - 6900Z.....27  
 BEARING, NEEDLE.....21  
 BODY, CARBURETOR.....15  
 BOLT.....5  
 BOLT 4.....19  
 BOLT 5.....17  
 BOLT 5X12.....29  
 BOLT 5X35.....27  
 BOLT 8X8.....27  
 BOLT, SHAFT.....23  
 BULB, PURGE.....15  
 BUSHING.....19

## C

CAP ASY.....7  
 CAP, SPARK PLUG.....19  
 CARBURETOR.....13  
 CARBURETOR -- RB-K84.....15  
 CASE, AIR CLEANER - BLACK.....13  
 CHUCK KEY.....39  
 CIRCLIP 10.....27  
 CIRCLIP 12.....9, 27  
 CIRCLIP 22.....27  
 CIRCLIP 28.....9  
 CIRCLIP 42.....27  
 CIRCLIP, PISTON PIN.....21  
 CLAMP.....19, 29  
 CLIP.....7, 9  
 COIL, IGNITION.....19  
 CONNECTOR, CAP.....7  
 CONTROL HANDLE KIT.....29  
 COVER, CYLINDER.....5  
 COVER, DIAPHRAGM.....15  
 COVER, DUST.....19  
 COVER, ENGINE.....5  
 COVER, MUFFLER.....5  
 CRANKCASE KIT.....21  
 CRANKSHAFT ASY.....21  
 CUSHION.....9  
 CUTTER, LINE.....25  
 CYLINDER.....21

## D

DIAPHRAGM, METERING.....15  
 DIAPHRAGM, PUMP.....15  
 DIAPHRAGM/GASKET KIT.....15  
 DOWEL PIN - 4X7.8mm.....9, 21  
 DRIVESHAFT - FLEXIBLE.....31  
 DRUM.....11  
 DRUM W/EYELETS.....23  
 DRUM, CLUTCH.....9

## E

E-RING.....11, 15  
 EYE PLATE.....17

## F

FAN COVER ASY.....9  
 FILTER, AIR.....13  
 FILTER, FUEL.....7  
 FIXTURE, HANDLE.....29  
 FLANGE NUT 8.....19  
 FLANGE, SHIELD.....25  
 FLYWHEEL.....19  
 FRONT HANDLE KIT.....29

## G

GASKET KIT.....35  
 GASKET, CAP.....7  
 GASKET, CRANKCASE.....21  
 GASKET, CYLINDER.....21  
 GASKET, EXHAUST.....17  
 GASKET, INTAKE.....13, 21  
 GASKET, METERING.....15  
 GASKET, PUMP.....15  
 GEAR CASE ASY.....27  
 GEAR SET.....27  
 GRIP, HANDLE.....29  
 GRIP, STARTER.....11  
 GROMMET.....19  
 GROMMET, FUEL.....7  
 GUARD, TOP.....5  
 GUIDE, EXHAUST.....17  
 GUIDE, ROPE.....11

## H

HANDLE FIXTURE SET.....29  
 HARNESS HANGER KIT.....29  
 HEX BAR.....39  
 HEX KEY.....39

## I

INSULATOR.....19  
 INSULATOR, INTAKE.....13

## K

KNOB, SWITCH.....29

## L

LABEL - CAUTION.....31  
 LABEL - CAUTION -- SPANISH.....31  
 LABEL - CHOKE.....33  
 LABEL - ECHO.....33  
 LABEL - HANDLE LOCATION.....31  
 LABEL - MODEL -- SRM-265.....33  
 LABEL - MODEL -- SRM-265S.....33  
 LABEL - MODEL -- SRM-265T.....33  
 LABEL - MODEL -- SRM-265U.....33  
 LABEL - PIPE LOCATION.....31  
 LABEL - SPARK PLUG -- BPM-8Y.....33  
 LABEL - SPARK PLUG -- BPMR-8Y.....33  
 LABEL, CAUTION - HOT.....33  
 LEAD, GROUND.....19  
 LEAD, IGNITION.....19  
 LEVER, LOCKOUT.....29  
 LEVER, METERING.....15  
 LID, AIR CLEANER.....5  
 LINER, MAIN PIPE.....31

LOCKING ROD.....39  
 LOCKOUT, TRIGGER.....29

## M

MAIN PIPE ASY.....31  
 MAIN PIPE FIXTURE KIT.....9  
 MUFFLER.....17

## N

NEEDLE - HIGH SPEED.....15  
 NUT.....11  
 NUT 5.....17, 25

## O

OIL SEAL.....21  
 OILSEAL.....21  
 OPEN END WRENCH.....39  
 O-RING.....15  
 OUTER DRIVE AND INNER CAM.....23

## P

PAWL, STARTER.....11  
 PIN, METERING LEVER.....15  
 PIN, PISTON.....21  
 PIPE, FUEL - 3X5X195mm.....7  
 PIPE, RETURN - 3X6X75mm.....7  
 PIPE, VENT - 3X6X35mm.....7  
 PISTON KIT.....21  
 PLASTIC SHIELD KIT.....25  
 PLATE, ADAPTER (UPPER).....27  
 PLATE, CAM.....11  
 PLATE, INSULATOR.....13  
 PLATE, PREVENT.....13  
 PLUG.....15  
 PURGE BASE ASY.....15

## R

RECOIL STARTER ASY.....11  
 REPAIR KIT.....15  
 RETAINER, PURGE BULB.....15  
 RING.....29  
 RING, PISTON.....21  
 ROLLER, GUIDE.....15  
 ROPE, STARTER - 3X700mm.....11  
 ROTOR COVER ASY.....15

## S

SCREEN, MUFFLER.....17  
 SCREW.....11, 15  
 SCREW 3X10.....29  
 SCREW 4X12.....17  
 SCREW 4X16.....9, 11  
 SCREW 4X22 - TAPPING.....29  
 SCREW 5X12.....9  
 SCREW 5X14.....5, 27  
 SCREW 5X16.....5, 19, 25  
 SCREW 5X20.....25, 29  
 SCREW 5X25.....7, 9, 13, 21  
 SCREW 5X28.....21  
 SCREW 5X40.....29  
 SCREW 5X65.....13  
 SCREW 5X8.....5  
 SCREW, CABLE ADJUST.....15



# Part Description Index (continued)

SCREW, DIAPHRAGM COVER.....15  
 SCREW, METERING LEVER PIN.....15  
 SCREW, PURGE BASE ASY.....15  
 SCREW, PURGE PUMP RETAINER.....15  
 SCREW, ROTOR COVER ASY.....15  
 SCREW, THROTTLE ADJUST.....15  
 SCREWDRIVER.....39  
 SEMI-AUTO HEAD ASSEMBLY.....23  
 SHAFT, CLUTCH.....9  
 SHAFT, GEAR.....27  
 SHIELD - PLASTIC.....25  
 SHIELD, EXHAUST.....17, 21  
 SHIM WASHER.....27  
 SHOE, CLUTCH.....9  
 SHORT BLOCK.....21  
 SOCKET WRENCH.....39  
 SOCKET WRENCH/SCREWDRIVER.....39  
 SPACER, PISTON PIN.....21  
 SPARK PLUG -- BPM-8Y.....19  
 SPARK PLUG -- BPMR-8Y.....19  
 SPOOL.....23  
 SPRING.....23  
 SPRING, CLUTCH.....9  
 SPRING, DAMPER.....11  
 SPRING, LEVER RETURN.....29  
 SPRING, METERING LEVER.....15  
 SPRING, RETURN.....11  
 SPRING, REWIND.....11  
 SPRING, TRIGGER RETURN.....29  
 STAND.....7  
 STARTER PULLEY ASY.....11  
 STOPPER.....31  
 STOPPER, ROPE.....11  
 STRAINER.....15  
 SWIVEL.....15

## T

TANK, FUEL.....7  
 TERMINAL, SPARK PLUG CAP.....19  
 THROTTLE CABLE ASY.....29  
 THUMB SCREW.....5  
 TORX KEY.....39  
 TRIGGER, THROTTLE.....29  
 TUBE, INSULATOR.....19  
 TUNE-UP KIT.....37

## V

VALVE, INLET NEEDLE.....15  
 VENT ASY.....7

## W

WASHER.....9, 17, 19, 23  
 WASHER 5.....7, 27  
 WOODRUFF KEY.....21

## **NOTES**



**ECHO, INCORPORATED**  
400 Oakwood Road  
Lake Zurich, IL 60047 USA

[WWW.ECHO-USA.COM](http://WWW.ECHO-USA.COM)

---

## Free Manuals Download Website

<http://myh66.com>

<http://usermanuals.us>

<http://www.somanuals.com>

<http://www.4manuals.cc>

<http://www.manual-lib.com>

<http://www.404manual.com>

<http://www.luxmanual.com>

<http://aubethermostatmanual.com>

Golf course search by state

<http://golfingnear.com>

Email search by domain

<http://emailbydomain.com>

Auto manuals search

<http://auto.somanuals.com>

TV manuals search

<http://tv.somanuals.com>