



AVAILABLE ATTACHMENTS & ACCESSORIES

Accessories

35130454230	U-Handle Kit
99944200200	SRM Shoulder Harness Kit
99944200411	20mm Blade Conversion Kit
99944200415	Universal Blade Conversion Kit
99944200455	Barrier Bar
99944200521	U-Handle_Blade Conversion Combo Kit
SRAC-200	Tiller/Cultivator Attachment

Cutting Heads

215511	Pro Maxi-Cut Head
21560030	Echomatic Pro Head
21560031	Echomatic Pro Head
21560050	Semi-Auto Head Assembly
21560055	Semi-Auto Head Assembly
21560056	2-Line Rapid Loader
21560060	SRM Manual Dual Line Head
99944200230	Semi-Auto Dual Line Head

PARTS CATALOG

SRM-230 Trimmer

22.8cc

SERIAL NUMBERS

S/N: S80613001001 - S80613999999

ECHO, INCORPORATED

400 Oakwood Road Lake Zurich, Illinois 60047 USA

WWW.ECHO-USA.COM



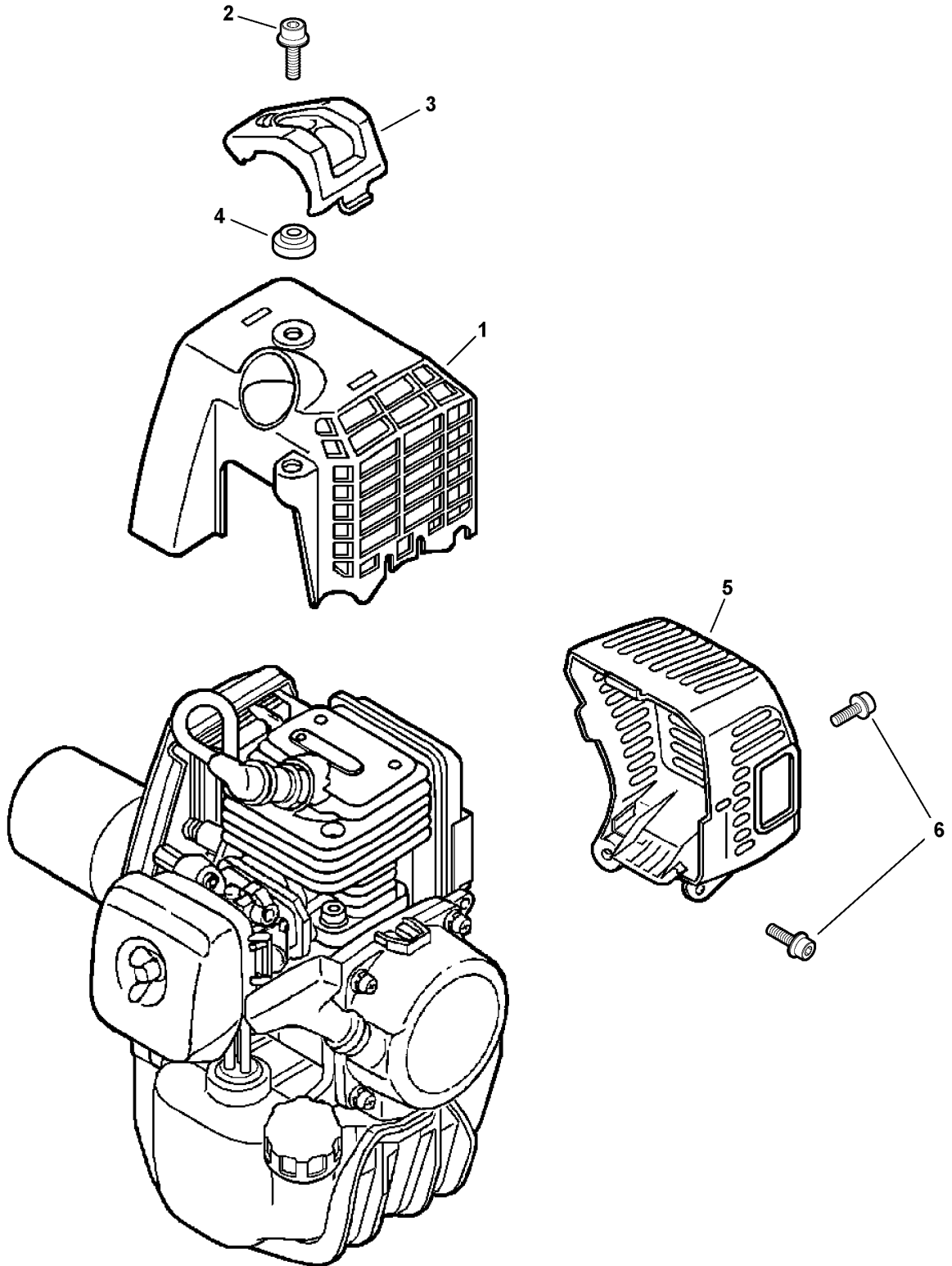
Table of Contents

Click Any Diagram Description Below To View That Diagram.

SRM-230 S/N: S80613001001 - S80613999999

Engine Cover, Exhaust Cover.....	4
Fuel System.....	6
Fan Case, Clutch.....	8
Starter -- Standard.....	10
Intake.....	12
Carburetor -- RB-K70A.....	14
Exhaust.....	16
Ignition.....	18
Engine, Short Block -- SB1061.....	20
Plastic Shield.....	22
Gear Case.....	24
Main Pipe Assembly, Flexible Driveshaft.....	26
Front Handle.....	28
Control Handle, Throttle Cable, Ignition Switch.....	30
Labels.....	32
Gasket Kit.....	34
RePower Tune-Up Kit.....	36
Tools.....	38
Part Number Index.....	40
Part Description Index.....	41

This Page Intentionally Left Blank



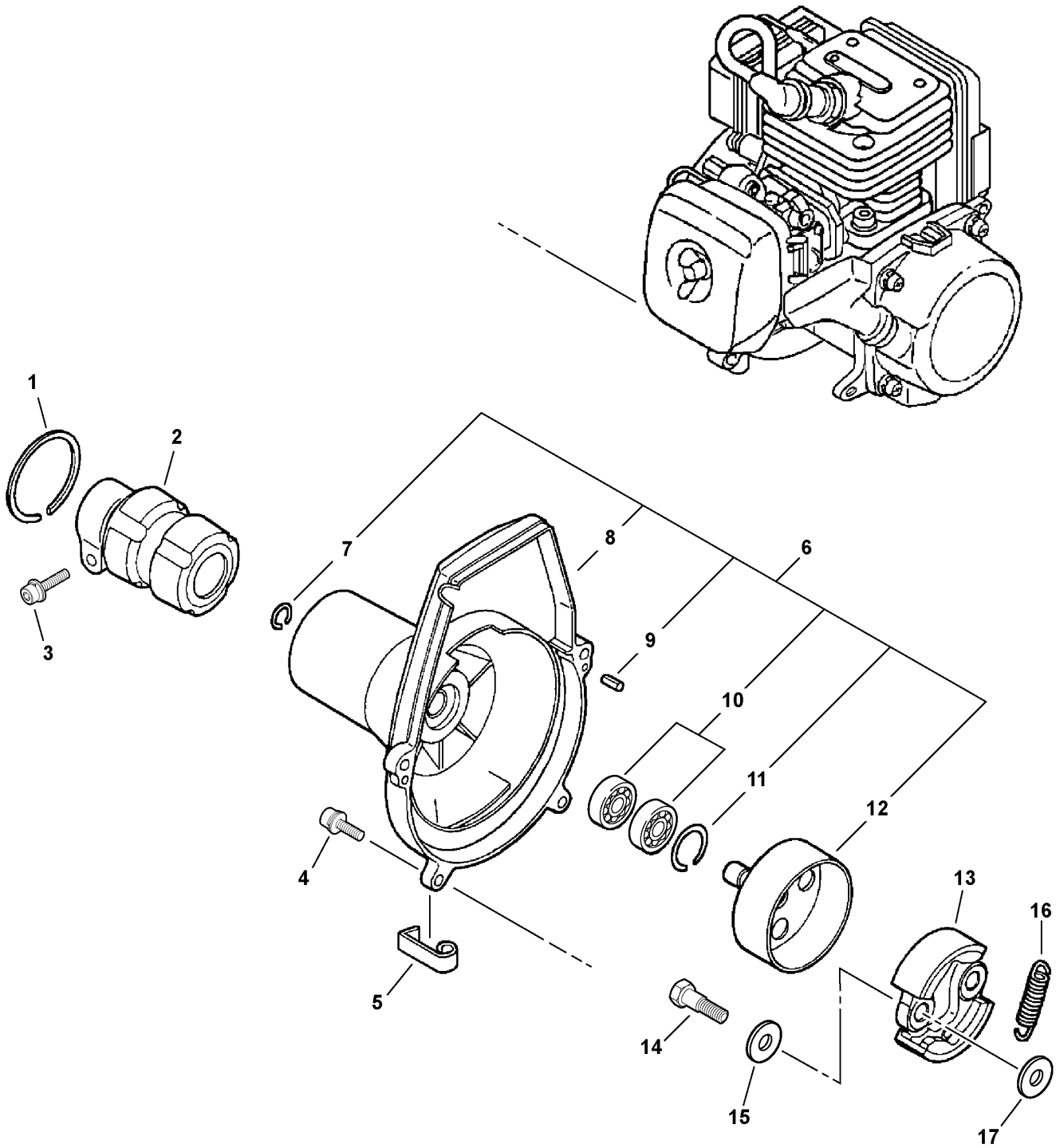
001 0016 000

ITEM	PART NUMBER	QTY	DESCRIPTION	REMARKS
1	A160000040	1	COVER, CYLINDER	
2	9111005016	1	SCREW 5X16	
3	A162000000	1	GUARD, TOP	
4	V353000020	1	COLLAR 5	
5	A320000003	1	COVER, MUFFLER	
6	90010605012	2	SCREW 5X12	

ITEM	PART NUMBER	QTY	DESCRIPTION	REMARKS
1	30511057732	1	STAND	
2	90016205022	2	SCREW 5X22	
3	90024405020	1	SCREW 5X20	
4	A350000660	1	TANK, FUEL	INCLUDES ITEM 5
5	13104528230	2	SPACER	
6	90060300005	2	WASHER 5	
7	90016205016	2	SCREW 5X16	
8	A356000030	1	VENT ASY	
9	13201326630	2	CLIP	
10	V471000110	1	PIPE, VENT - 3X6X115mm	REPOWER BULK OPTION: 90015
11	13201256030	1	PIPE, RETURN - 3X6X80mm	REPOWER BULK OPTION: 90015
12	13201052030	1	PIPE, FUEL - 3X6X170mm	REPOWER BULK OPTION: 90015
13	13211555930	1	GROMMET, FUEL	
14	13120519830	1	FILTER, FUEL ¹	
15	13100455530	1	FUEL TANK CAP ASY	INCLUDES ITEM 16-17
16	13101655830	1	GASKET, FUEL CAP	
17	13105156030	1	CONNECTOR, FUEL CAP	

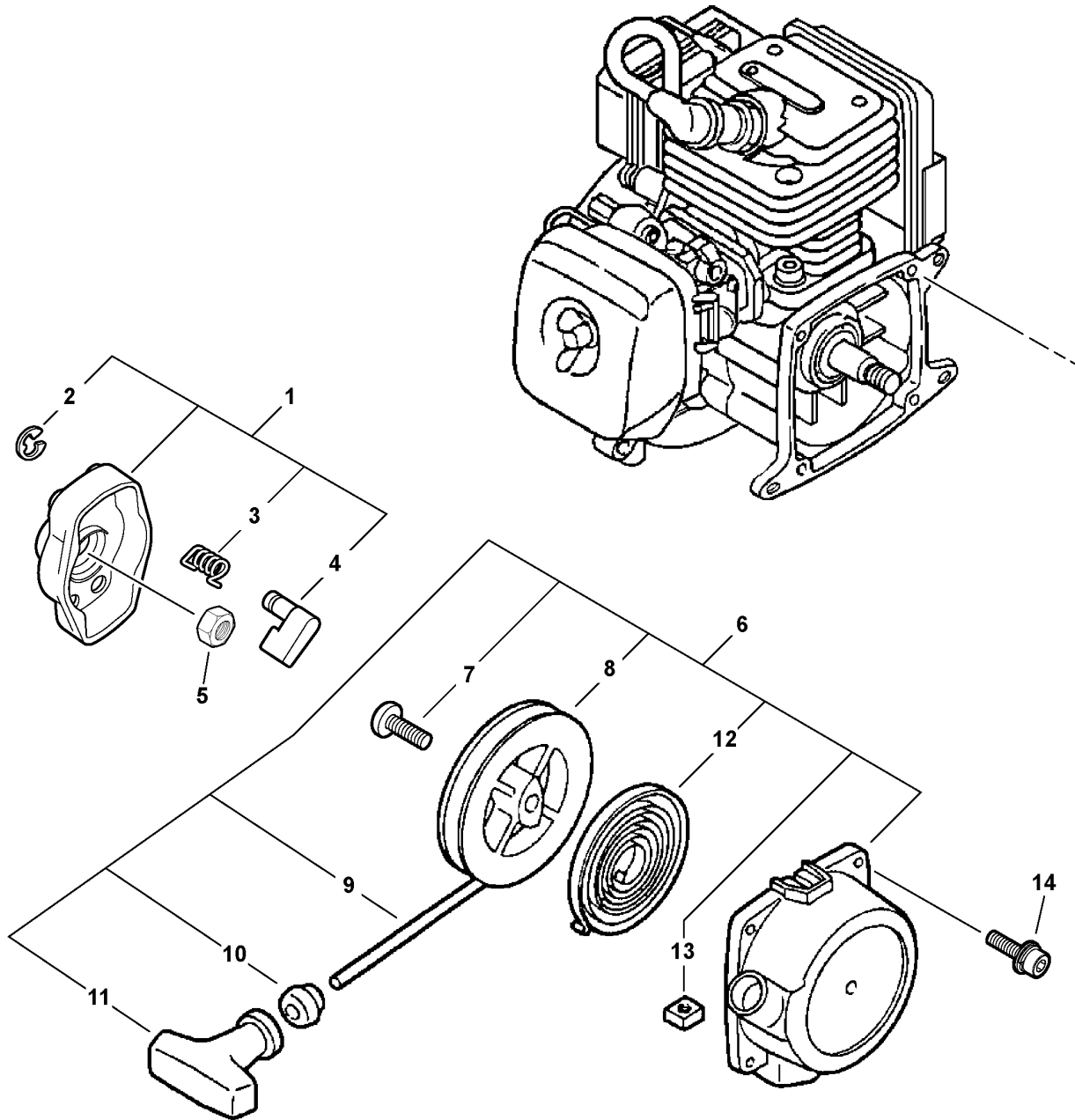
Footnotes

1: Also Included In REPOWER TUNE-UP KIT



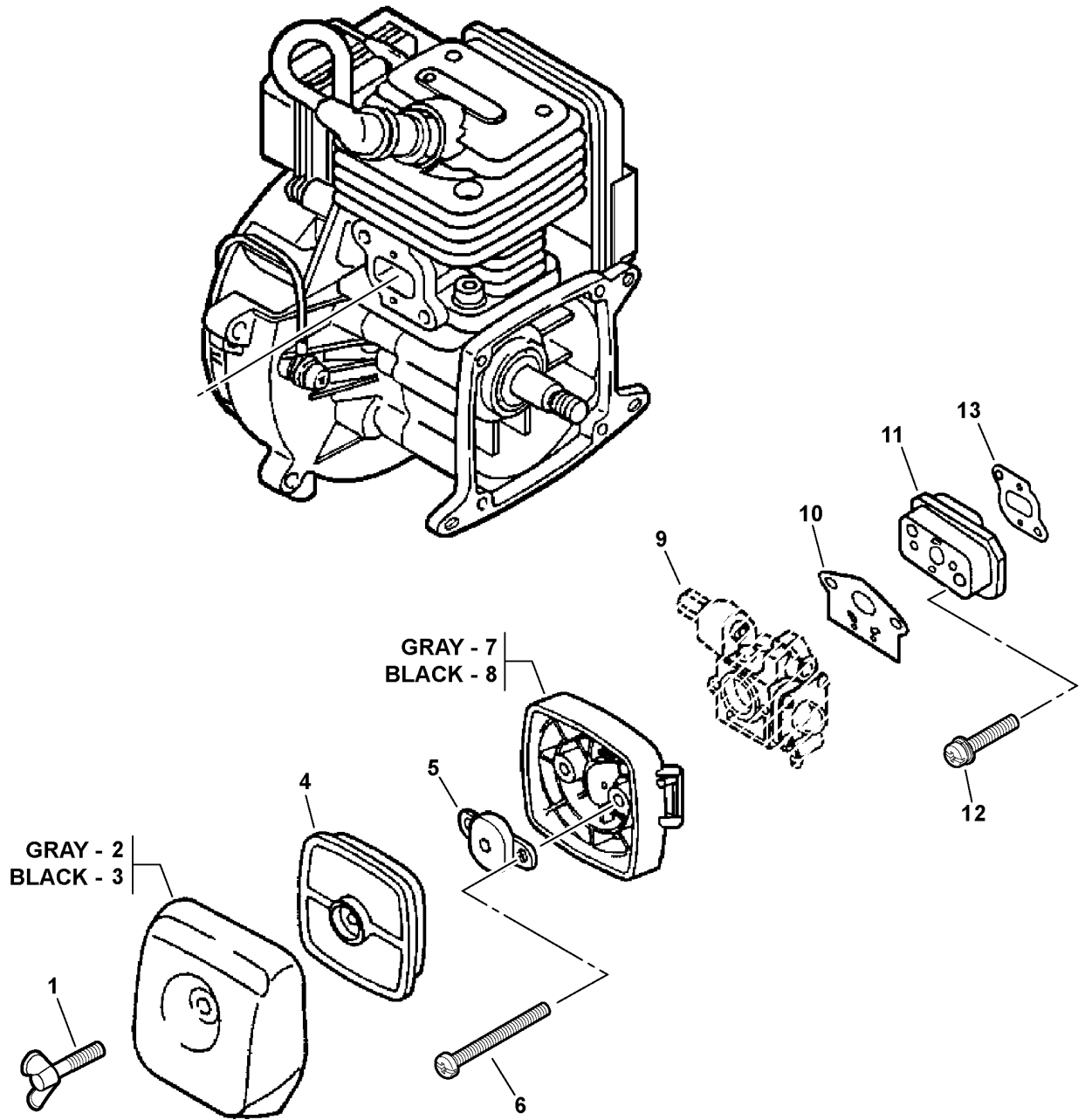
003 0009 000

ITEM	PART NUMBER	QTY	DESCRIPTION	REMARKS
1	90070200042	1	CIRCLIP 42	
2	61092255931	1	FIXTURE, MAIN PIPE	
3	90016205028	1	SCREW 5X28	
4	90016205018	2	SCREW 5X18	
5	17811106230	1	CLIP	
6	P021001410	1	FAN COVER ASY	INCLUDES ITEMS 7-12
7	90070100012	1	CIRCLIP 12	
8	A172000030	1	CASE, FAN	
9	V622000020	2	DOWEL PIN	
10	90080796001	2	BEARING, BALL - 6001	
11	90070200028	1	CIRCLIP 28	
12	A556000030	1	DRUM, CLUTCH	
13	A553000010	2	SHOE, CLUTCH	
14	17504656030	2	SHAFT, CLUTCH	
15	17504956030	2	WASHER	
16	V451000090	1	SPRING, CLUTCH	
17	17504805530	2	WASHER	



004 0027 000

ITEM	PART NUMBER	QTY	DESCRIPTION	REMARKS
1	A052000030	1	STARTER PAWL ASY	INCLUDES ITEMS 2-4
2	90070000004	2	E-RING 4	
3	17723440630	2	SPRING, RETURN	
4	17721840630	2	PAWL, STARTER	
5	90050200008	1	NUT 8	
6	17720055931	1	STARTER ASY	INCLUDES ITEMS 7-13
7	17723644330	1	SCREW	
8	17721540630	1	DRUM, STARTER	
9	17722603930	1	ROPE, STARTER - 3X850mm	REPOWER BULK OPTION: 99944445000
10	17722742030	1	GUIDE, ROPE	
11	17722827030	1	GRIP, STARTER	
12	17722040630	1	SPRING, REWIND	
13	90056500005	1	NUT	
14	9112604012	4	BOLT 4X12	



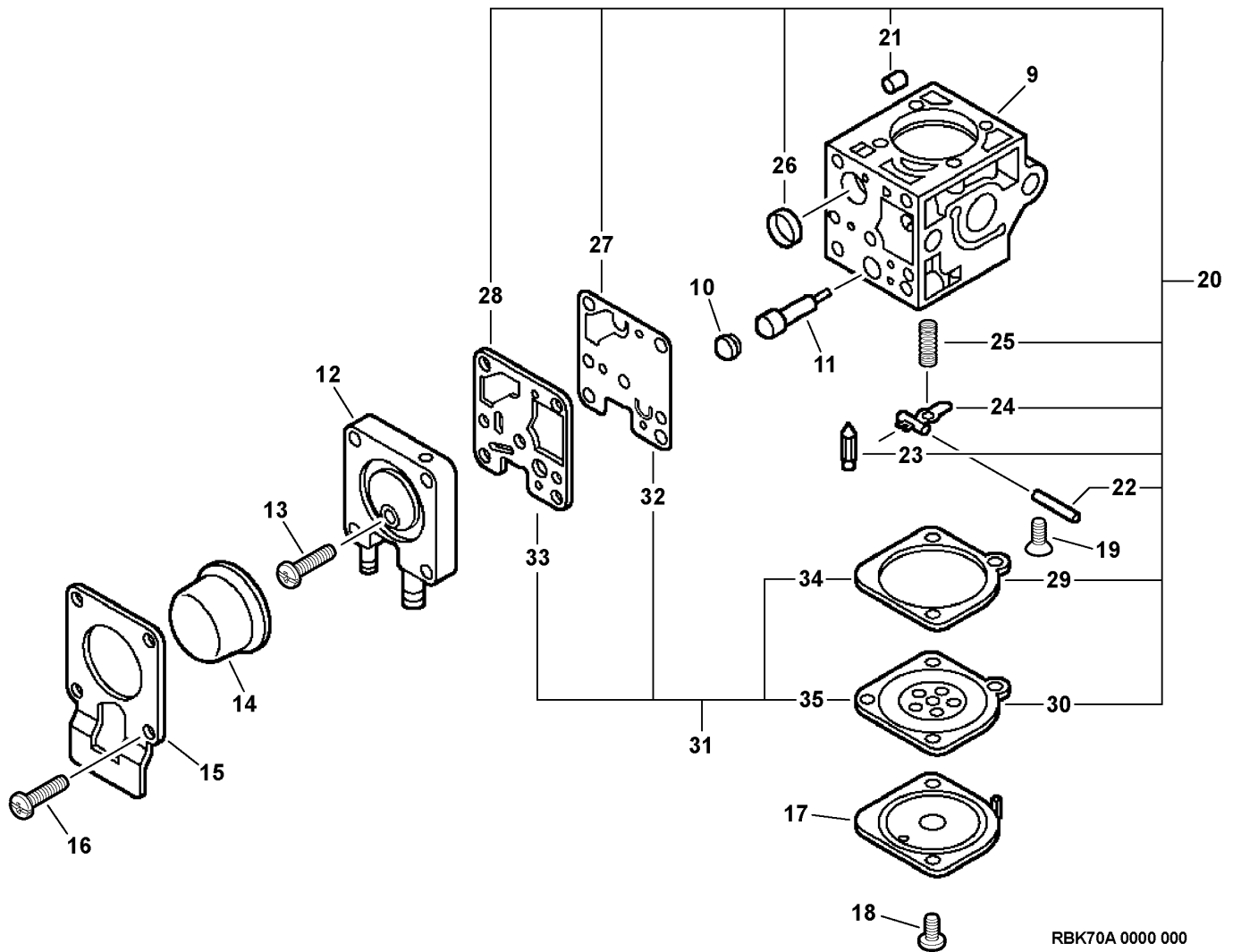
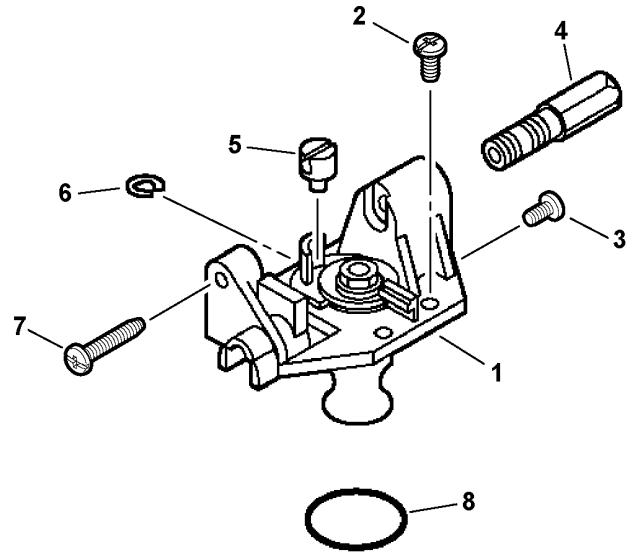
005 0028 000

ITEM	PART NUMBER	QTY	DESCRIPTION	REMARKS
1	21041752730	1	WING BOLT	
2	13031306563	1	LID, AIR CLEANER - GRAY	
3	13031305863	1	LID, AIR CLEANER - BLACK	
4	13031054130	1	FILTER, AIR ¹	
5	12901152730	1	PLATE, PREVENT	
6	90024205060	2	SCREW 5X60	
7	P021000991	1	CASE, AIR CLEANER - GRAY	
8	P021004480	1	CASE, AIR CLEANER - BLACK	
9	-----	1	CARBURETOR	See Carburetor Diagrams For Additional Information
10	13001013410	1	GASKET, INTAKE ²	
11	13001756431	1	INSULATOR	
12	90016205025	2	SCREW 5X25	
13	13001055930	1	GASKET, INTAKE ²	

Footnotes

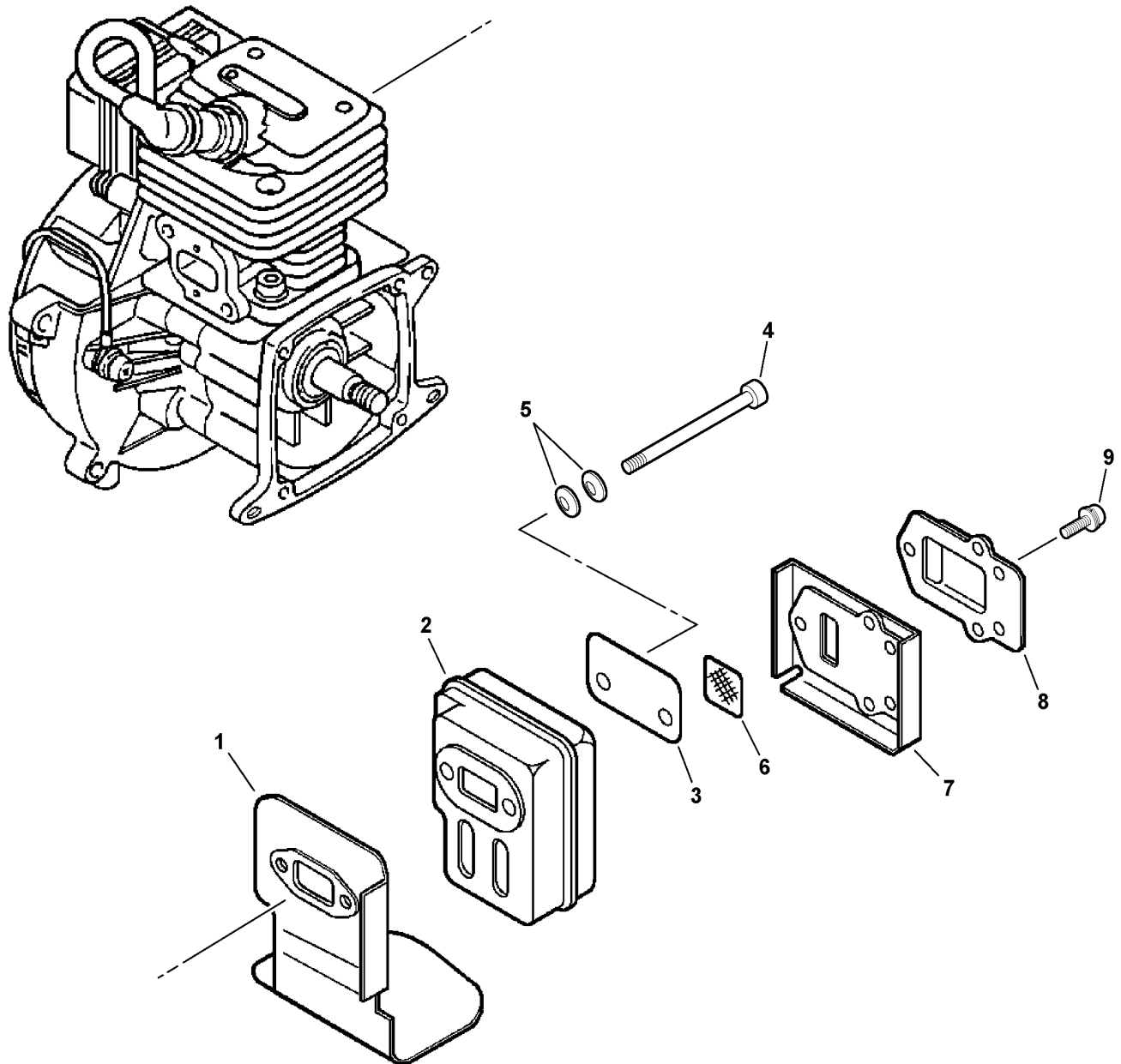
1: Also Included In REPOWER TUNE-UP KIT

2: Also Included In GASKET KIT



RBK70A 0000 000

ITEM	PART NUMBER	QTY	DESCRIPTION	REMARKS
	A021000721	1	CARBURETOR -- RB-K70A	
1	P005001620	1	ROTOR COVER ASY	
2	12534413931	3	SCREW, ROTOR COVER ASY	
3	12534452130	1	SCREW, ROTOR COVER	
4	P005001330	1	SCREW, CABLE ADJUST	
5	P005001240	1	SWIVEL	
6	P005000190	1	E-RING	
7	P005000100	1	SCREW, THROTTLE ADJUST	
8	P005000280	1	O-RING	
9	-----	1	BODY, CARBURETOR	NOT AVAILABLE SEPARATELY
10	P005001270	1	PLUG	
11	P005001260	1	NEEDLE - HIGH SPEED	
12	P005000930	1	PURGE BASE ASY	
13	P005000270	1	SCREW, PURGE BASE ASY	
14	12538108660	1	BULB, PURGE	
15	P005000250	1	RETAINER, PURGE BULB	
16	12531061830	4	SCREW, PURGE BULB RETAINER	
17	12534252130	1	COVER, DIAPHRAGM	
18	12534452130	3	SCREW, DIAPHRAGM COVER	
19	12533942030	1	SCREW, METERING LEVER PIN	
20	P005000950	1	REPAIR KIT	INCLUDES ITEMS 21-30
21	P005001000	1	ROLLER, GUIDE	
22	-----	1	PIN, METERING LEVER	
23	-----	1	VALVE, INLET NEEDLE	
24	-----	1	LEVER, METERING	
25	-----	1	SPRING, METERING LEVER	
26	-----	1	STRAINER	
27	-----	1	DIAPHRAGM, PUMP	
28	-----	1	GASKET, PUMP	
29	-----	1	GASKET, METERING	
30	-----	1	DIAPHRAGM, METERING	
31	P005000550	1	DIAPHRAGM/GASKET KIT	INCLUDES ITEMS 32-35
32	-----	1	DIAPHRAGM, PUMP	
33	-----	1	GASKET, PUMP	
34	-----	1	GASKET, METERING	
35	-----	1	DIAPHRAGM, METERING	

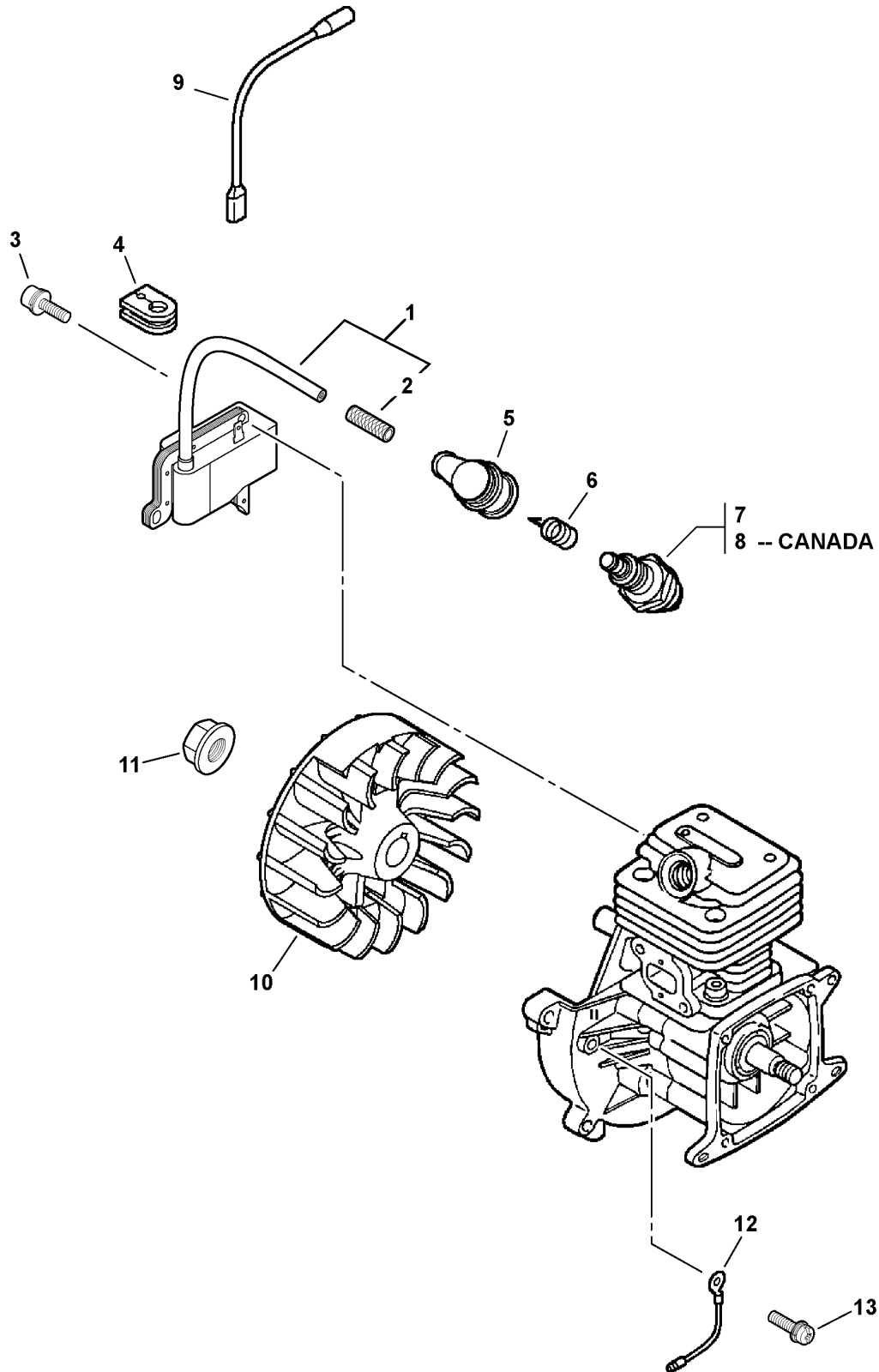


006 0019 000

ITEM	PART NUMBER	QTY	DESCRIPTION	REMARKS
1	V104000061	1	SHIELD, EXHAUST ¹	
2	A300000141	1	MUFFLER	
3	V150000371	1	PLATE, EYE	
4	90010505055	2	SCREW 5X55	
5	V347000000	4	CONICAL WASHER	
6	14586240630	1	SCREEN, MUFFLER	
7	V104000360	1	GASKET, EXHAUST	
8	A313000130	1	GUIDE, EXHAUST	
9	9136704010	5	SCREW 4X10	

Footnotes

1: Also Included In GASKET KIT

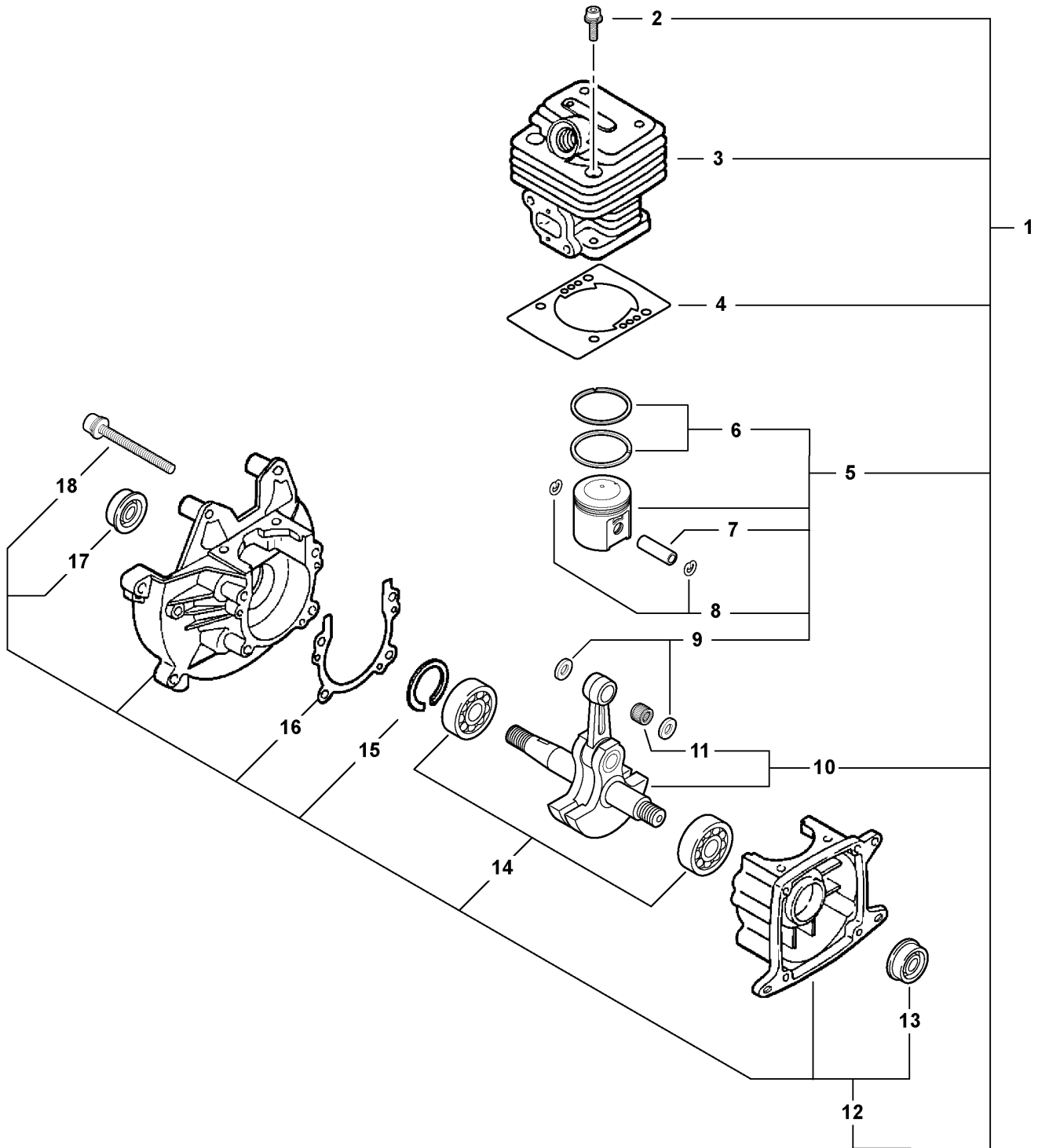


007 0028 000

ITEM	PART NUMBER	QTY	DESCRIPTION	REMARKS
1	A411000110	1	COIL, IGNITION	INCLUDES ITEM 2
2	V475002200	1	TUBE, PROTECTIVE	
3	90016205016	2	SCREW 5X16	
4	15611240630	1	GROMMET	
5	15901203433	1	CAP, SPARK PLUG	
6	15901103432	1	TERMINAL, SPARK PLUG CAP	
7	15901019830	1	SPARK PLUG -- BPM-8Y ¹	
8	A425000000	1	SPARK PLUG -- BPMR-8Y ¹	CANADA MODELS
9	16201056430	1	LEAD, IGNITION	
10	A409000130	1	FLYWHEEL	
11	90051500008	1	FLANGE NUT 8	
12	16201452930	1	LEAD, GROUND	
13	90024205010	1	SCREW 5X10	

Footnotes

1: Also Included In REPOWER TUNE-UP KIT

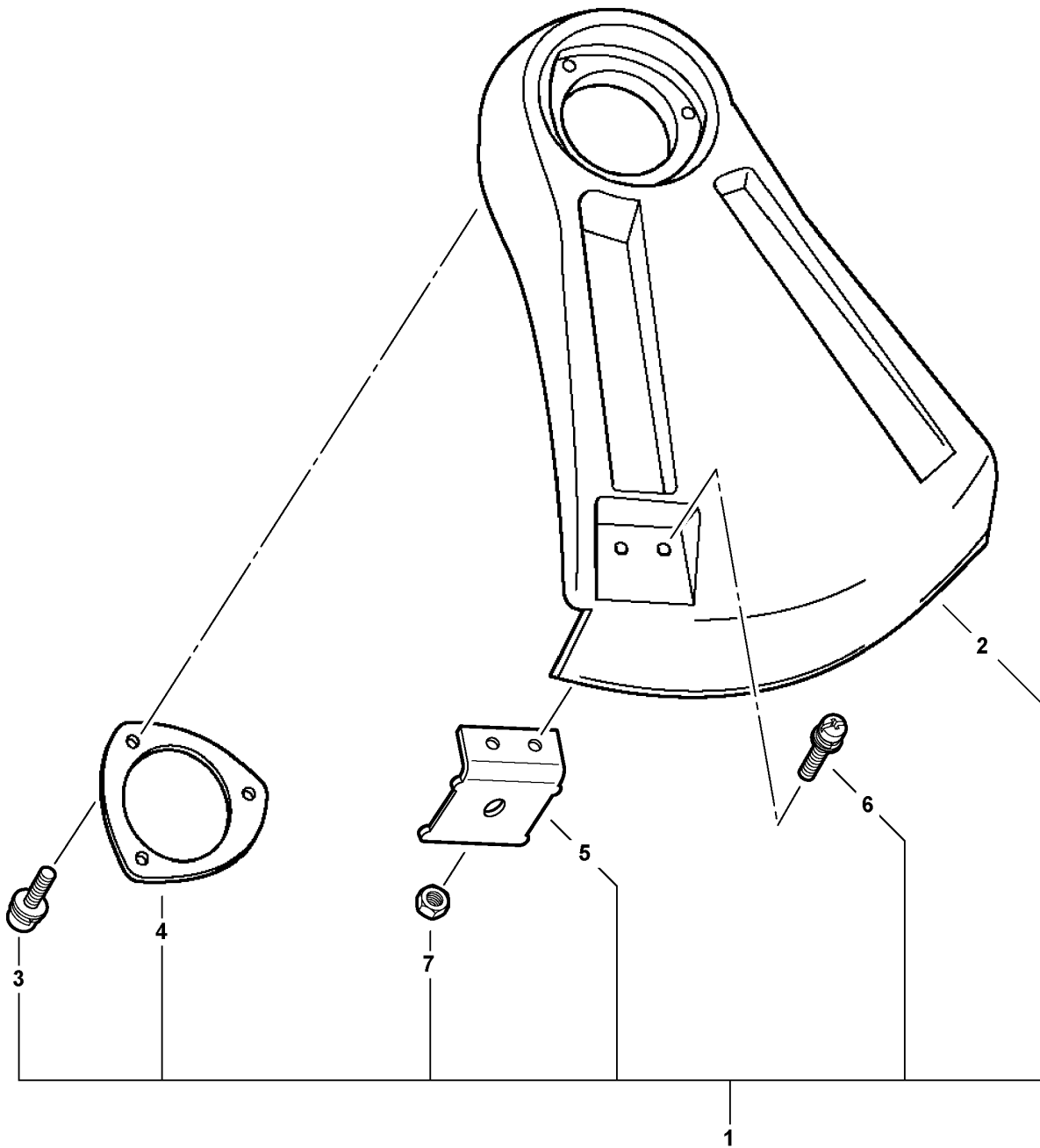


SB1061 0000 000

ITEM	PART NUMBER	QTY	DESCRIPTION	REMARKS
1	SB1061	1	SHORT BLOCK	INCLUDES ITEMS 2-18
2	90016205022	4	SCREW 5X22	
3	A130000341	1	CYLINDER	
4	V100000060	1	GASKET, CYLINDER ¹	
5	P021001102	1	PISTON KIT	INCLUDES ITEMS 6-9
6	A101000000	2	RING, PISTON	
7	10001311520	1	PIN, PISTON	
8	10001504630	2	CIRCLIP, PISTON PIN	
9	10001411520	2	SPACER, PISTON PIN	
10	A011000042	1	CRANKSHAFT ASY	INCLUDES ITEM 11
11	V553000010	1	BEARING, NEEDLE	
12	P021000941	1	CRANKCASE KIT	INCLUDES ITEMS 13-18
13	10021305530	1	OIL SEAL	
14	90080036001	2	BEARING, BALL 6001	
15	90070200028	1	CIRCLIP 28	
16	10024255930	1	GASKET, CRANKCASE ¹	
17	90016205025	4	SCREW 5X25	
18	10021228230	1	OIL SEAL	

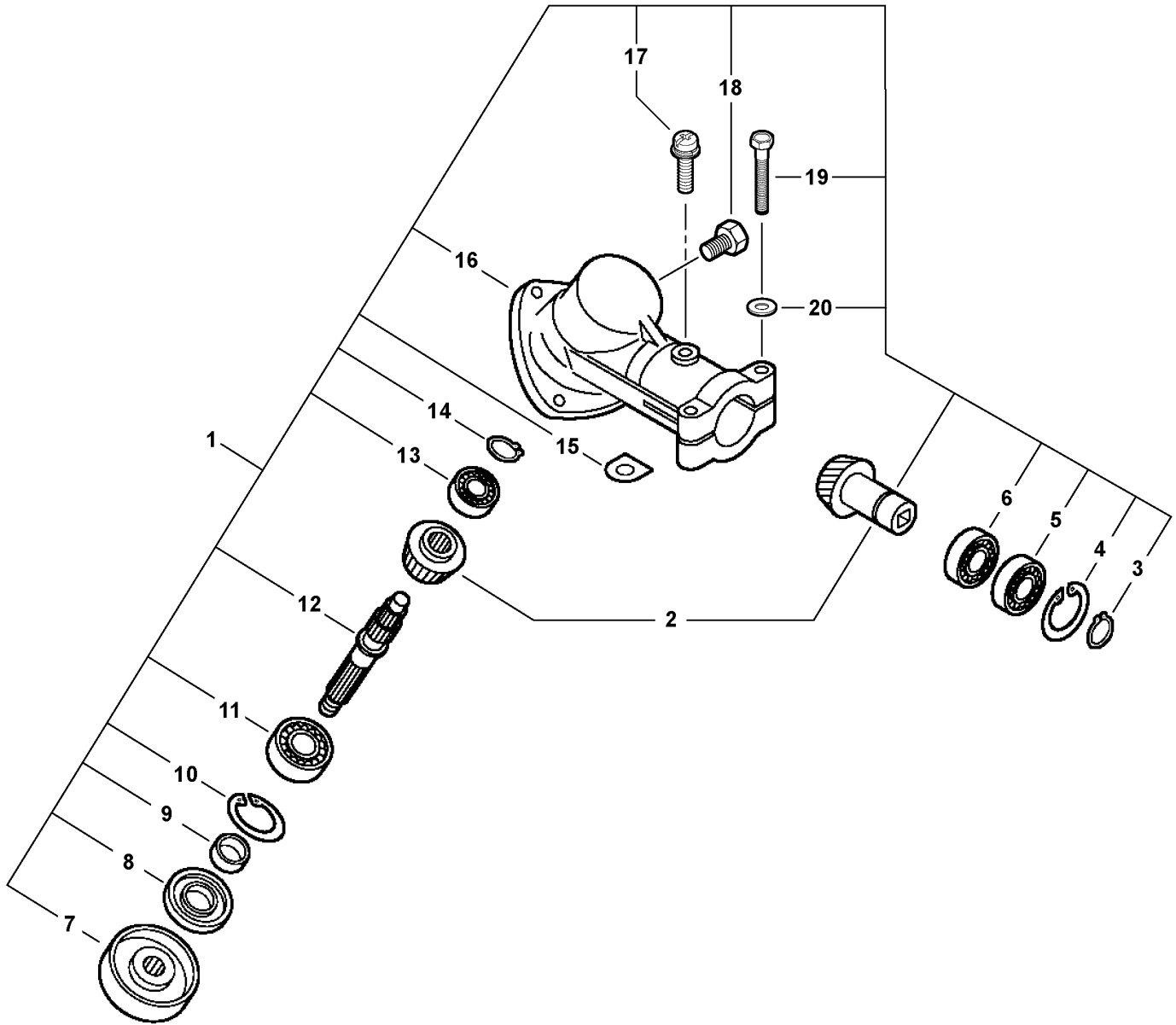
Footnotes

1: Also Included In GASKET KIT



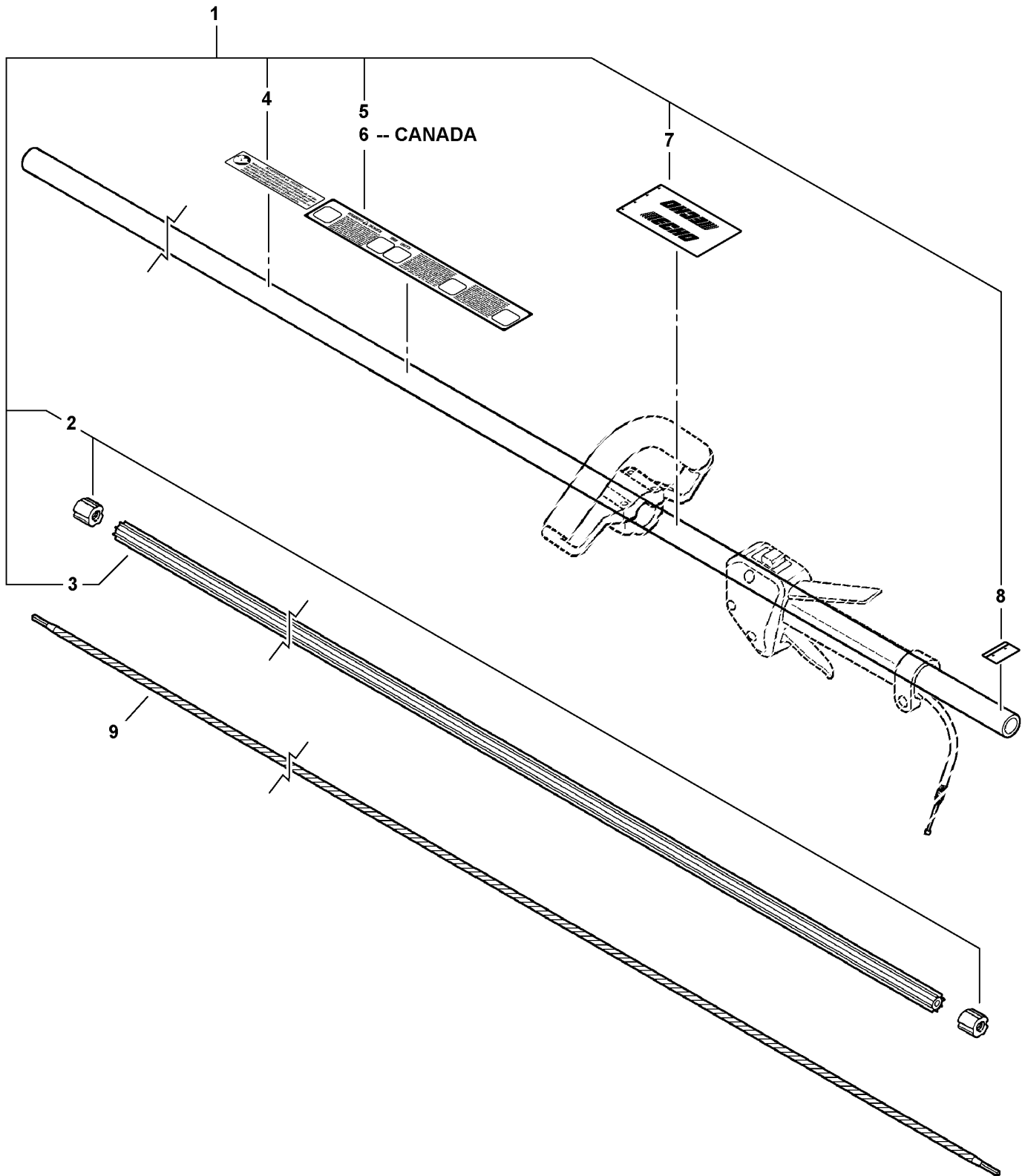
034 0001 000

ITEM	PART NUMBER	QTY	DESCRIPTION	REMARKS
1	P021001392	1	PLASTIC SHIELD KIT	INCLUDES ITEMS 2-7
2	C550000031	1	SHIELD - PLASTIC	
3	90023805020	3	SCREW 5X20	
4	C552000110	1	FLANGE, SHIELD	
5	69901644330	1	CUTTER	
6	90023805016	2	SCREW 5X16	
7	90050000005	2	NUT 5	



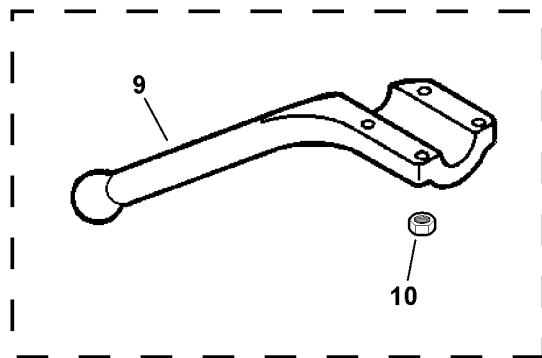
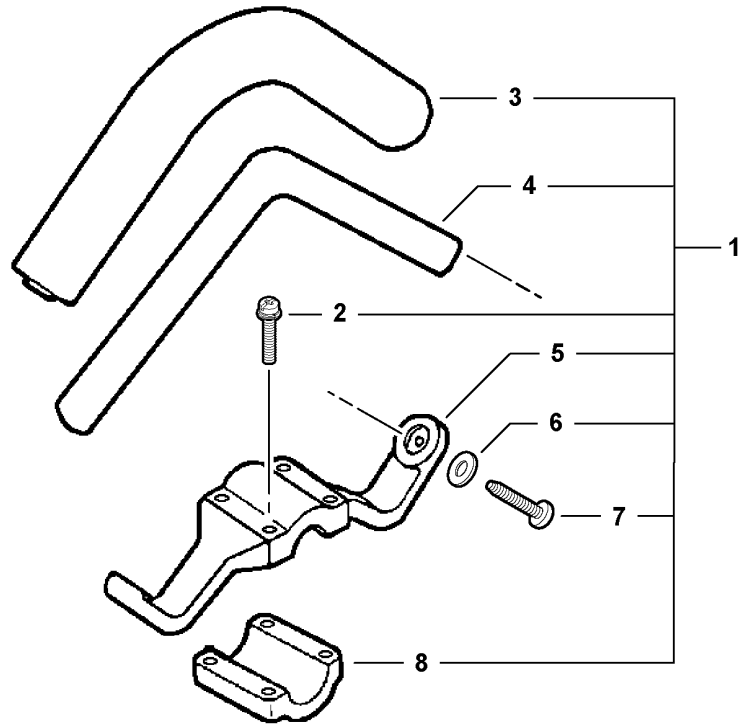
032 0001 000

ITEM	PART NUMBER	QTY	DESCRIPTION	REMARKS
1	61040247732	1	GEAR CASE ASY	INCLUDES ITEMS 2-20
2	61030044830	1	GEAR SET	
3	90070600012	1	CIRCLIP 12	
4	90070200022	1	CIRCLIP 22	
5	90085806900	1	BEARING, BALL - 6900Z	
6	90085506900	1	BEARING, BALL - 6900	
7	61031347731	1	PLATE, ADAPTER (UPPER)	
8	61041307130	1	OIL SEAL	
9	61031507130	1	SPACER	
10	90070200032	1	CIRCLIP 32	
11	90081006201	1	BEARING, BALL - 6201	
12	61036008931	1	SHAFT, P.T.O.	
13	90080000609	1	BEARING, BALL - 609	
14	90070600012	1	CIRCLIP 12	
15	61023904130	2	WASHER, SHIM	
16	61046027431	1	HOUSING, GEAR	
17	90024205010	1	SCREW 5X10	
18	61043450031	1	BOLT 8X8	
19	90010005035	2	BOLT 5X35	
20	90060000005	2	WASHER 5	



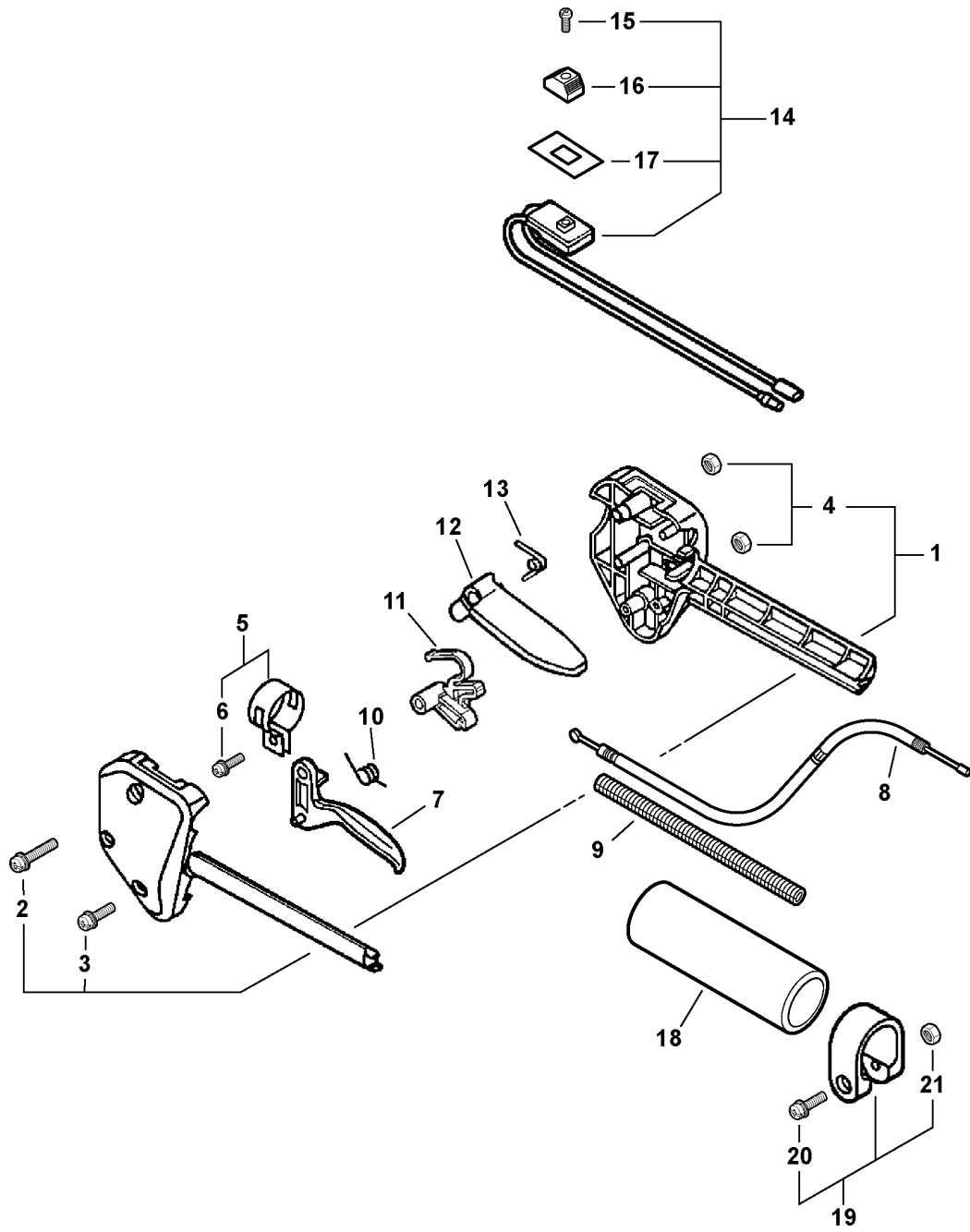
031 0005 000

ITEM	PART NUMBER	QTY	DESCRIPTION	REMARKS
1	C050000460	1	DRIVESHAFT HOUSING ASY	INCLUDES ITEMS 2-7
2	61024644730	1	STOPPER	
3	61021744730	1	LINER, FLEXIBLE	
4	89022809560	1	LABEL - CAUTION -- SPANISH	
5	89016054130	1	LABEL, CAUTION - US	
6	89031749030	1	LABEL, CAUTION - CANADA	
7	X505001930	1	LABEL - HANDLE LOCATION	
8	89015204930	1	LABEL - PIPE LOCATION	
9	61001344730	1	DRIVESHAFT, FLEXIBLE	



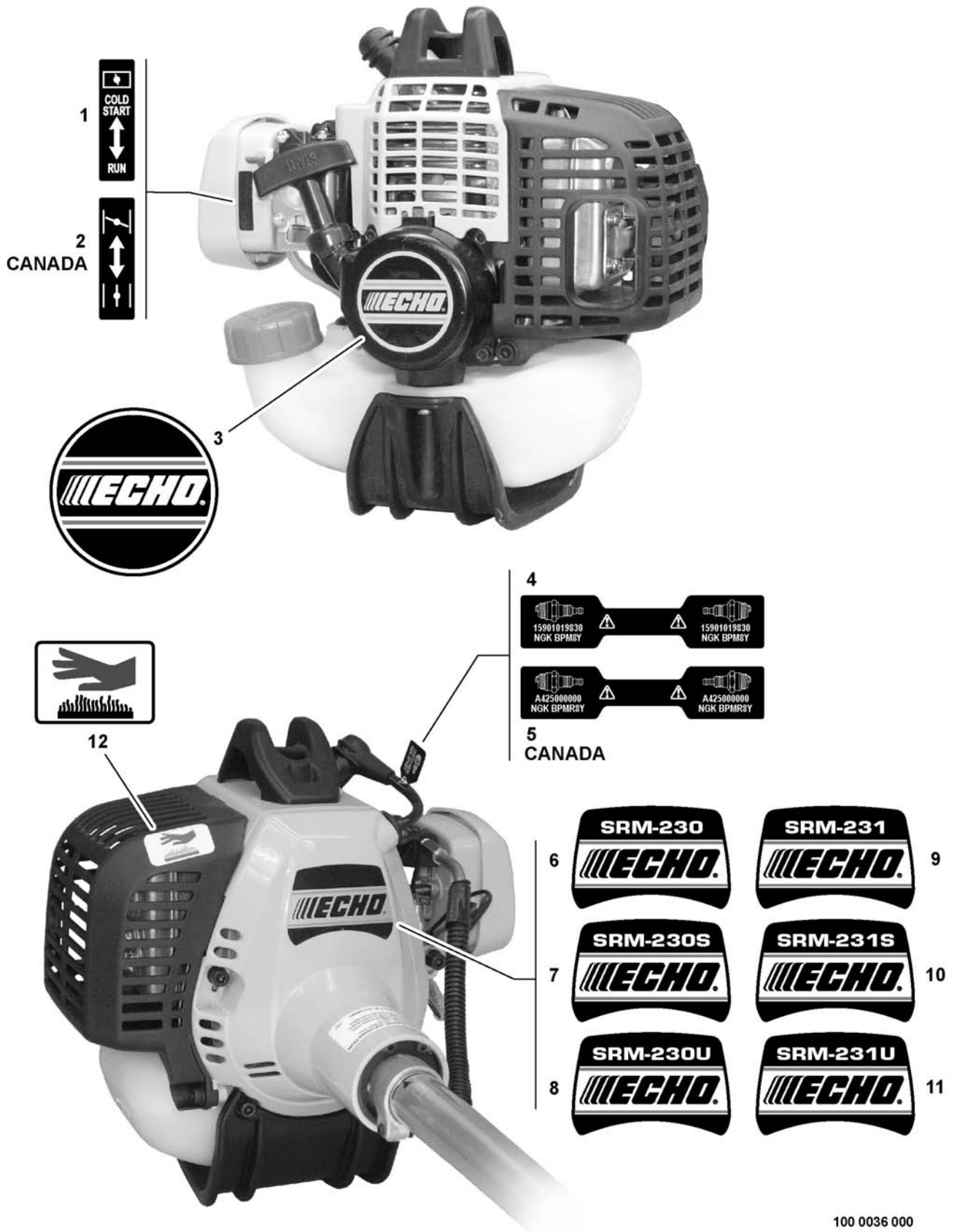
030 0014 000

ITEM	PART NUMBER	QTY	DESCRIPTION	REMARKS
1	P021012390	1	FRONT HANDLE ASY	INCLUDES ITEMS 2-8
2	90024205035	4	SCREW 5X35	
3	35121666230	1	GRIP, HANDLE	
4	35120566230	1	HANDLE, FRONT	
5	35123266230	1	BRACKET, HANDLE - UPPER	
6	90060000005	2	WASHER 5	
7	90025305020	2	SCREW 5X20	
8	C423000300	1	BRACKET, HANDLE - LOWER	
9	99944200455	1	BAR, BARRIER	
10	90050000005	4	NUT 5	



030 0017 000

ITEM	PART NUMBER	QTY	DESCRIPTION	REMARKS
1	17800352130	1	CONTROL HANDLE KIT	INCLUDES ITEMS 2-4
2	90024205035	1	SCREW 5X35	
3	90024205025	1	SCREW 5X25	
4	90050000005	2	NUT 5	
5	30120029430	1	BAND ASY	INCLUDES ITEM 6
6	90024205014	1	SCREW 5X14	
7	17801052130	1	TRIGGER, THROTTLE	
8	V430000730	1	CABLE, THROTTLE	
9	V475000850	1	TUBE - 7X200mm	
10	17804342230	1	SPRING, THROTTLE RETURN	
11	17801252730	1	LOCKOUT, THROTTLE	
12	17809052632	1	LEVER, THROTTLE LOCKOUT	
13	17801352630	1	SPRING, THROTTLE LOCKOUT	
14	A440000280	1	IGNITION SWITCH ASY	INCLUDES ITEMS 15-17
15	9154503010	1	SCREW 3X10	
16	16341049231	1	KNOB, SWITCH	
17	89015712330	1	LABEL, SWITCH	
18	35121352130	1	GRIP, HANDLE	
19	61027252130	1	CLAMP KIT	INCLUDES ITEMS 20-21
20	90024205028	1	SCREW 5X28	
21	90050000005	1	NUT 5	



100 0036 000

ITEM	PART NUMBER	QTY	DESCRIPTION	REMARKS
1	89012152730	1	LABEL - CHOKE	
2	89033252730	1	LABEL - CHOKE	CANADA MODELS
3	X502000310	1	LABEL - ECHO	
4	X532000671	1	LABEL - SPARK PLUG -- BPM-8Y	
5	X532000720	1	LABEL - SPARK PLUG -- BPMR-8Y	CANADA MODELS
6	X503003320	1	LABEL - MODEL -- SRM-230	
7	X503003080	1	LABEL - MODEL -- SRM-230S	
8	X503003330	1	LABEL - MODEL -- SRM-230U	
9	X503001140	1	LABEL - MODEL -- SRM-231	
10	X503003110	1	LABEL - MODEL -- SRM-231S	
11	X503001630	1	LABEL - MODEL -- SRM-231U	
12	89016006361	1	LABEL - CAUTION -- HOT	

Use Gasket Kit	Contains:	Service Number	Description
P021003900		10024255930	GASKET, CRANKCASE
		13001013410	GASKET, INTAKE
		13001055930	GASKET, INTAKE
		14586642031	GASKET, EXHAUST
		V100000060	GASKET, CYLINDER
		V104000061	GASKET, EXHAUST
		V104000360	GASKET, EXHAUST

300 0007 000

<u>ITEM</u>	<u>PART NUMBER</u>	<u>QTY</u>	<u>DESCRIPTION</u>	<u>REMARKS</u>
1	P021003900	1	GASKET KIT	

RePower Tune-Up Kit	Contains: Service Number	Description
90074C	13031054130	AIR FILTER
	13120519830	FUEL FILTER
	A425000000	SPARK PLUG BPMR-8Y

400 0001 CAN

<u>ITEM</u>	<u>PART NUMBER</u>	<u>QTY</u>	<u>DESCRIPTION</u>	<u>REMARKS</u>
1	90074C	1	TUNE-UP KIT	

WRENCH W/SCREWDRIVER (Also Remove Spark Plugs)

1 - 89541010630 -- 17X19mm

2 - X602000020 -- 17X19mm

3 - 89541039131 -- 10X19mm

4 - 89541006960 -- 13X19mm

BOX WRENCH

5 - X602000031 -- 17X14.5mm

LOCKING BAR

6 - 89751801131 -- 5X120mm

SPANNER

7 - 89511200330 -- 8X10mm

8 - 89512220960 -- 17X19mm

9 - 89501505260 -- 10mm

HEX BAR

10 - 89541220960 -- 10mm

L-WRENCH

11 - 89561203430 -- 3mm

12 - 89561000130 -- 4mm

13 - 89561100330 -- 5mm

SCREWDRIVER

14 - 89581100130 -- 125mm

15 - 89581203930 -- 50mm

200 0001 000

ITEM	PART NUMBER	QTY	DESCRIPTION	REMARKS
1	89541010630	1	WRENCH/SCREWDRIVER -- 17X19mm	
2	X602000020	1	WRENCH/SCREWDRIVER -- 17X19mm	
3	89541039131	1	WRENCH/SCREWDRIVER -- 10X19mm	
4	89541006960	1	WRENCH/SCREWDRIVER -- 13X19mm	
5	X602000031	1	BOX WRENCH -- 17X14.5mm	
6	89751801131	1	LOCKING BAR -- 5X120mm	
7	89511200330	1	SPANNER -- 8X10mm	
8	89512220960	1	SPANNER -- 17X19mm	
9	89501505260	1	SPANNER -- 10mm	
10	89541220960	1	HEX BAR -- 10mm	
11	89561203430	1	L-WRENCH -- 3mm	
12	89561000130	1	L-WRENCH -- 4mm	
13	89561100330	1	L-WRENCH -- 5mm	
14	89581100130	1	SCREWDRIVER -- 125mm	
15	89581203930	1	SCREWDRIVER -- 50mm	



Part Number Index

Click The Page Number After Any Part Number To View The Diagram Containing That Part.

Part Number	Page	Part Number	Page	Part Number	Page
-----	13, 15	61041307130	25	A130000341	21
10001311520	21	61043450031	25	A160000040	5
10001411520	21	61046027431	25	A162000000	5
10001504630	21	61092255931	9	A172000030	9
10021228230	21	69901644330	23	A300000141	17
10021305530	21	89012152730	33	A313000130	17
10024255930	21	89015204930	27	A320000003	5
12531061830	15	89015712330	31	A350000660	7
12533942030	15	89016006361	33	A356000030	7
12534252130	15	89016054130	27	A409000130	19
12534413931	15	89022809560	27	A411000110	19
12534452130	15	89031749030	27	A425000000	19
12538108660	15	89033252730	33	A440000280	31
12901152730	13	89501505260	39	A553000010	9
13001013410	13	89511200330	39	A556000030	9
13001055930	13	89512220960	39	C050000460	27
13001756431	13	89541006960	39	C423000300	29
13031054130	13	89541010630	39	C550000031	23
13031305863	13	89541039131	39	C552000110	23
13031306563	13	89541220960	39	P005000100	15
13100455530	7	89561000130	39	P005000190	15
13101655830	7	89561100330	39	P005000250	15
13104528230	7	89561203430	39	P005000270	15
13105156030	7	89581100130	39	P005000280	15
13120519830	7	89581203930	39	P005000550	15
13201052030	7	89751801131	39	P005000930	15
13201256030	7	90010005035	25	P005000950	15
13201326630	7	90010505055	17	P005001000	15
13211555930	7	90010605012	5	P005001240	15
14586240630	17	90016205016	7, 19	P005001260	15
15611240630	19	90016205018	9	P005001270	15
15901019830	19	90016205022	7, 21	P005001330	15
15901103432	19	90016205025	13, 21	P005001620	15
15901203433	19	90016205028	9	P021000941	21
16201056430	19	90023805016	23	P021000991	13
16201452930	19	90023805020	23	P021001102	21
16341049231	31	90024205010	19, 25	P021001392	23
17504656030	9	90024205014	31	P021001410	9
17504805530	9	90024205025	31	P021003900	35
17504956030	9	90024205028	31	P021004480	13
17720055931	11	90024205035	29, 31	P021012390	29
17721540630	11	90024205060	13	SB1061	21
17721840630	11	90024405020	7	V100000060	21
17722040630	11	90025305020	29	V104000061	17
17722603930	11	90050000005	23, 29, 31	V104000360	17
17722742030	11	90050200008	11	V150000371	17
17722827030	11	90051500008	19	V347000000	17
17723440630	11	90056500005	11	V353000020	5
17723644330	11	90060000005	25, 29	V430000730	31
17800352130	31	90060300005	7	V451000090	9
17801052130	31	90070000004	11	V471000110	7
17801252730	31	90070100012	9	V475000850	31
17801352630	31	90070200022	25	V475002200	19
17804342230	31	90070200028	9, 21	V553000010	21
17809052632	31	90070200032	25	V622000020	9
17811106230	9	90070200042	9	X502000310	33
21041752730	13	90070600012	25	X503001140	33
30120029430	31	90074C	37	X503001630	33
30511057732	7	90080000609	25	X503003080	33
35120566230	29	90080036001	21	X503003110	33
35121352130	31	90080796001	9	X503003320	33
35121666230	29	90081006201	25	X503003330	33
35123266230	29	90085506900	25	X505001930	27
61001344730	27	90085806900	25	X532000671	33
61021744730	27	9111005016	5	X532000720	33
61023904130	25	9112604012	11	X602000020	39
61024644730	27	9136704010	17	X602000031	39
61027252130	31	9154503010	31		
61030044830	25	99944200455	29		
61031347731	25	A011000042	21		
61031507130	25	A021000721	15		
61036008931	25	A052000030	11		
61040247732	25	A101000000	21		



Part Description Index

Click The Page Number After Any Part Description To View The Diagram Containing That Part.

B

BAND ASY.....31
 BAR, BARRIER.....29
 BEARING, BALL - 6001.....9
 BEARING, BALL - 609.....25
 BEARING, BALL - 6201.....25
 BEARING, BALL - 6900.....25
 BEARING, BALL - 6900Z.....25
 BEARING, BALL 6001.....21
 BEARING, NEEDLE.....21
 BODY, CARBURETOR.....15
 BOLT 4X12.....11
 BOLT 5X35.....25
 BOLT 8X8.....25
 BOX WRENCH -- 17X14.5mm.....39
 BRACKET, HANDLE - LOWER.....29
 BRACKET, HANDLE - UPPER.....29
 BULB, PURGE.....15

C

CABLE, THROTTLE.....31
 CAP, SPARK PLUG.....19
 CARBURETOR.....13
 CARBURETOR -- RB-K70A.....15
 CASE, AIR CLEANER - BLACK.....13
 CASE, AIR CLEANER - GRAY.....13
 CASE, FAN.....9
 CIRCLIP 12.....9, 25
 CIRCLIP 22.....25
 CIRCLIP 28.....9, 21
 CIRCLIP 32.....25
 CIRCLIP 42.....9
 CIRCLIP, PISTON PIN.....21
 CLAMP KIT.....31
 CLIP.....7, 9
 COIL, IGNITION.....19
 COLLAR 5.....5
 CONICAL WASHER.....17
 CONNECTOR, FUEL CAP.....7
 CONTROL HANDLE KIT.....31
 COVER, CYLINDER.....5
 COVER, DIAPHRAGM.....15
 COVER, MUFFLER.....5
 CRANKCASE KIT.....21
 CRANKSHAFT ASY.....21
 CUTTER.....23
 CYLINDER.....21

D

DIAPHRAGM, METERING.....15
 DIAPHRAGM, PUMP.....15
 DIAPHRAGM/GASKET KIT.....15
 DOWEL PIN.....9
 DRIVESHAFT HOUSING ASY.....27
 DRIVESHAFT, FLEXIBLE.....27
 DRUM, CLUTCH.....9
 DRUM, STARTER.....11

E

E-RING.....15
 E-RING 4.....11

F

FAN COVER ASY.....9
 FILTER, AIR.....13
 FILTER, FUEL.....7
 FIXTURE, MAIN PIPE.....9
 FLANGE NUT 8.....19
 FLANGE, SHIELD.....23
 FLYWHEEL.....19
 FRONT HANDLE ASY.....29
 FUEL TANK CAP ASY.....7

G

GASKET KIT.....35
 GASKET, CRANKCASE.....21
 GASKET, CYLINDER.....21
 GASKET, EXHAUST.....17
 GASKET, FUEL CAP.....7
 GASKET, INTAKE.....13
 GASKET, METERING.....15
 GASKET, PUMP.....15
 GEAR CASE ASY.....25
 GEAR SET.....25
 GRIP, HANDLE.....29, 31
 GRIP, STARTER.....11
 GROMMET.....19
 GROMMET, FUEL.....7
 GUARD, TOP.....5
 GUIDE, EXHAUST.....17
 GUIDE, ROPE.....11

H

HANDLE, FRONT.....29
 HEX BAR -- 10mm.....39
 HOUSING, GEAR.....25

I

IGNITION SWITCH ASY.....31
 INSULATOR.....13

K

KNOB, SWITCH.....31

L

LABEL - CAUTION -- HOT.....33
 LABEL - CAUTION -- SPANISH.....27
 LABEL - CHOKE.....33
 LABEL - ECHO.....33
 LABEL - HANDLE LOCATION.....27
 LABEL - MODEL -- SRM-230.....33
 LABEL - MODEL -- SRM-230S.....33
 LABEL - MODEL -- SRM-230U.....33
 LABEL - MODEL -- SRM-231.....33
 LABEL - MODEL -- SRM-231S.....33
 LABEL - MODEL -- SRM-231U.....33
 LABEL - PIPE LOCATION.....27
 LABEL - SPARK PLUG -- BPM-8Y.....33
 LABEL - SPARK PLUG -- BPMR-8Y.....33
 LABEL, CAUTION - CANADA.....27
 LABEL, CAUTION - US.....27
 LABEL, SWITCH.....31
 LEAD, GROUND.....19
 LEAD, IGNITION.....19

LEVER, METERING.....15
 LEVER, THROTTLE LOCKOUT.....31
 LID, AIR CLEANER - BLACK.....13
 LID, AIR CLEANER - GRAY.....13
 LINER, FLEXIBLE.....27
 LOCKING BAR -- 5X120mm.....39
 LOCKOUT, THROTTLE.....31
 L-WRENCH -- 3mm.....39
 L-WRENCH -- 4mm.....39
 L-WRENCH -- 5mm.....39

M

MUFFLER.....17

N

NEEDLE - HIGH SPEED.....15
 NUT.....11
 NUT 5.....23, 29, 31
 NUT 8.....11

O

OIL SEAL.....21, 25
 O-RING.....15

P

PAWL, STARTER.....11
 PIN, METERING LEVER.....15
 PIN, PISTON.....21
 PIPE, FUEL - 3X6X170mm.....7
 PIPE, RETURN - 3X6X80mm.....7
 PIPE, VENT - 3X6X115mm.....7
 PISTON KIT.....21
 PLASTIC SHIELD KIT.....23
 PLATE, ADAPTER (UPPER).....25
 PLATE, EYE.....17
 PLATE, PREVENT.....13
 PLUG.....15
 PURGE BASE ASY.....15

R

REPAIR KIT.....15
 RETAINER, PURGE BULB.....15
 RING, PISTON.....21
 ROLLER, GUIDE.....15
 ROPE, STARTER - 3X850mm.....11
 ROTOR COVER ASY.....15

S

SCREEN, MUFFLER.....17
 SCREW.....11
 SCREW 3X10.....31
 SCREW 4X10.....17
 SCREW 5X10.....19, 25
 SCREW 5X12.....5
 SCREW 5X14.....31
 SCREW 5X16.....5, 7, 19, 23
 SCREW 5X18.....9
 SCREW 5X20.....7, 23, 29
 SCREW 5X22.....7, 21
 SCREW 5X25.....13, 21, 31
 SCREW 5X28.....9, 31
 SCREW 5X35.....29, 31
 SCREW 5X55.....17



Part Description Index (continued)

SCREW 5X60.....13
 SCREW, CABLE ADJUST.....15
 SCREW, DIAPHRAGM COVER.....15
 SCREW, METERING LEVER PIN.....15
 SCREW, PURGE BASE ASY.....15
 SCREW, PURGE BULB RETAINER.....15
 SCREW, ROTOR COVER.....15
 SCREW, ROTOR COVER ASY.....15
 SCREW, THROTTLE ADJUST.....15
 SCREWDRIVER -- 125mm.....39
 SCREWDRIVER -- 50mm.....39
 SHAFT, CLUTCH.....9
 SHAFT, P.T.O.....25
 SHIELD - PLASTIC.....23
 SHIELD, EXHAUST.....17
 SHOE, CLUTCH.....9
 SHORT BLOCK.....21
 SPACER.....7, 25
 SPACER, PISTON PIN.....21
 SPANNER -- 10mm.....39
 SPANNER -- 17X19mm.....39
 SPANNER -- 8X10mm.....39
 SPARK PLUG -- BPM-8Y.....19
 SPARK PLUG -- BPMR-8Y.....19
 SPRING, CLUTCH.....9
 SPRING, METERING LEVER.....15
 SPRING, RETURN.....11
 SPRING, REWIND.....11
 SPRING, THROTTLE LOCKOUT.....31
 SPRING, THROTTLE RETURN.....31
 STAND.....7
 STARTER ASY.....11
 STARTER PAWL ASY.....11
 STOPPER.....27
 STRAINER.....15
 SWIVEL.....15

T

TANK, FUEL.....7
 TERMINAL, SPARK PLUG CAP.....19
 TRIGGER, THROTTLE.....31
 TUBE - 7X200mm.....31
 TUBE, PROTECTIVE.....19
 TUNE-UP KIT.....37

V

VALVE, INLET NEEDLE.....15
 VENT ASY.....7

W

WASHER.....9
 WASHER 5.....7, 25, 29
 WASHER, SHIM.....25
 WING BOLT.....13
 WRENCH/SCREWDRIVER -- 10X19mm.....39
 WRENCH/SCREWDRIVER -- 13X19mm.....39
 WRENCH/SCREWDRIVER -- 17X19mm.....39

NOTES



ECHO, INCORPORATED
400 Oakwood Road
Lake Zurich, IL 60047 USA

WWW.ECHO-USA.COM

Free Manuals Download Website

<http://myh66.com>

<http://usermanuals.us>

<http://www.somanuals.com>

<http://www.4manuals.cc>

<http://www.manual-lib.com>

<http://www.404manual.com>

<http://www.luxmanual.com>

<http://aubethermostatmanual.com>

Golf course search by state

<http://golfingnear.com>

Email search by domain

<http://emailbydomain.com>

Auto manuals search

<http://auto.somanuals.com>

TV manuals search

<http://tv.somanuals.com>