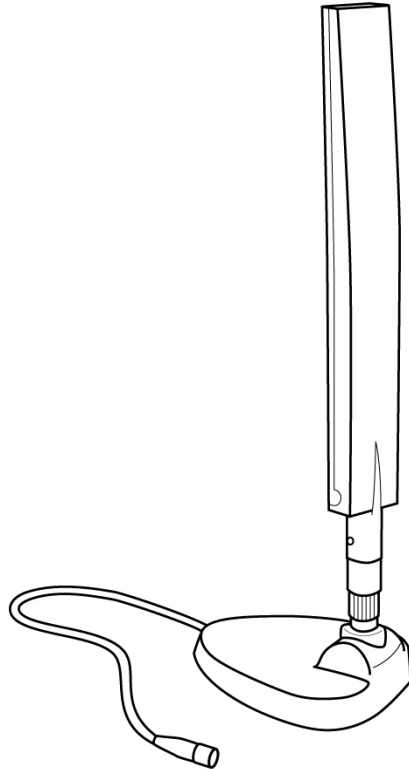


INDOOR OMNI DIRECTIONAL ANTENNA



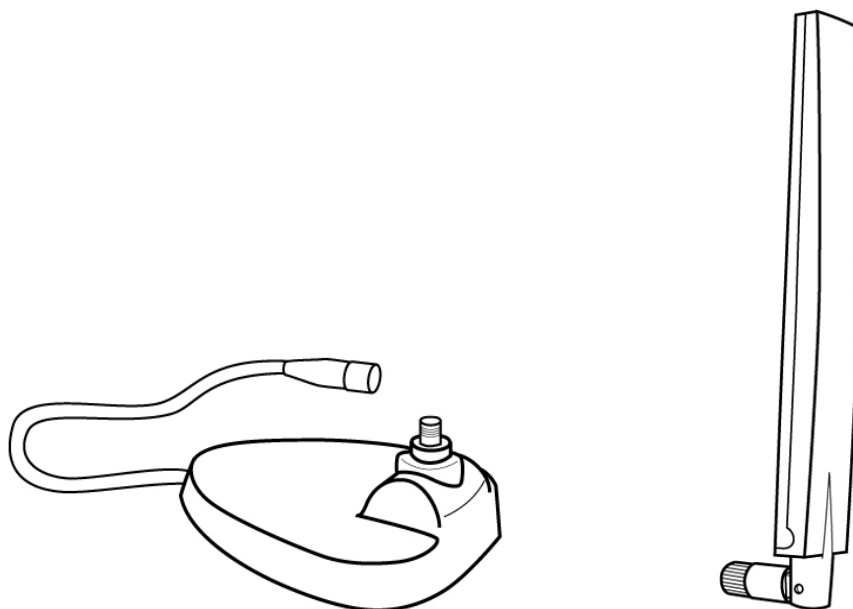
QUICK START GUIDE



PLEASE READ THIS NOTICE BEFORE USING THE PRODUCT

Thank you for purchasing this product, before starting to use, please do read this application notice and see how this product can be used in the most correct ways.

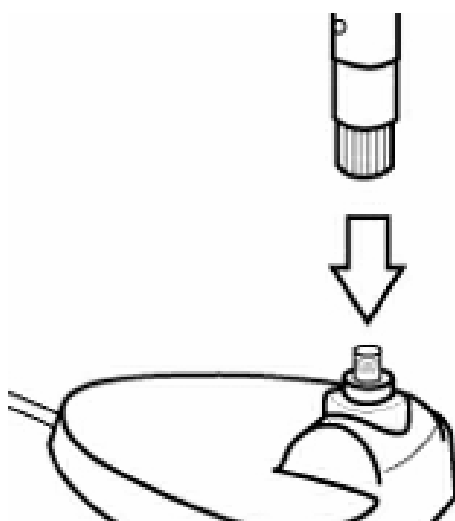
The following information is helpful for you to use this antenna and the antenna stand with more correct and efficient ways.

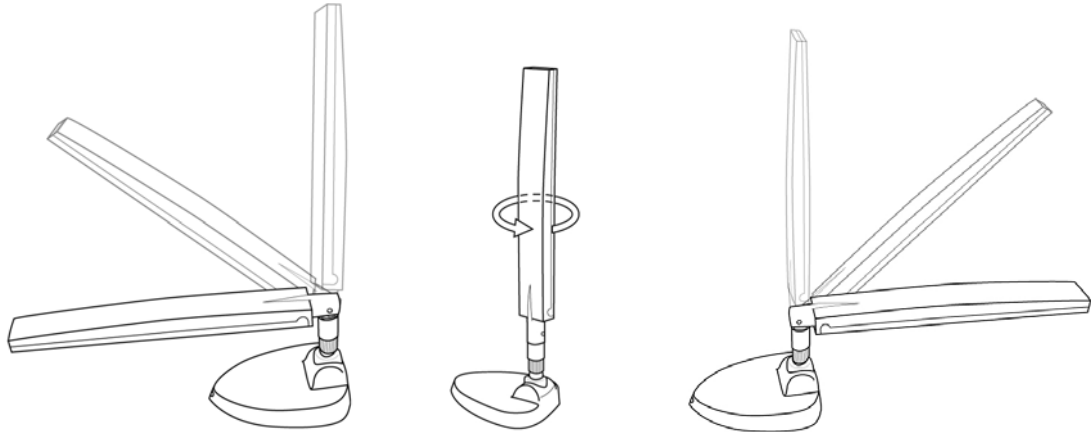


The package contents an omni directional antenna and an antenna stand with extension cable.

Desktop stand

This package is included with the antenna stand, which the stand you can locate your antenna to a better or higher position to receive or transmit signals, while you connect the antenna onto the wireless base station. In addition, this antenna can also be mainly used for client (such as PCI adaptors on desktop PC).



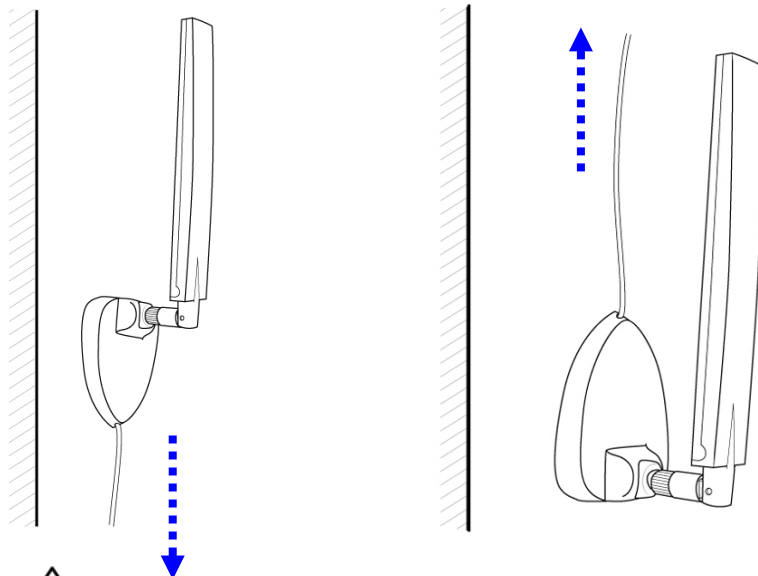


 **NOTICE**

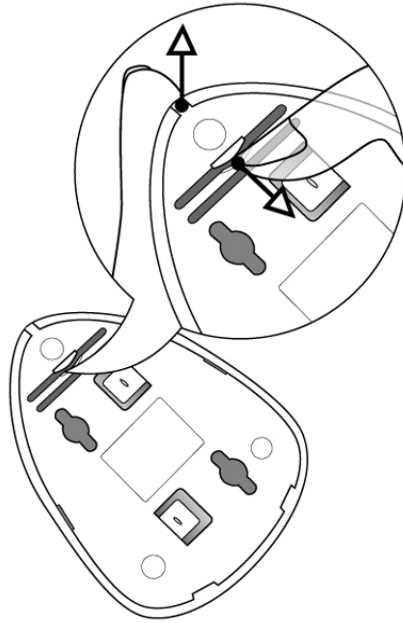
The antenna itself can do 0 to 90 deg mechanical bending and self-rotating in 360 deg to get different bending directions. (See the diagram above)

Wall/ partition mount (Antenna base with magnet embedded)

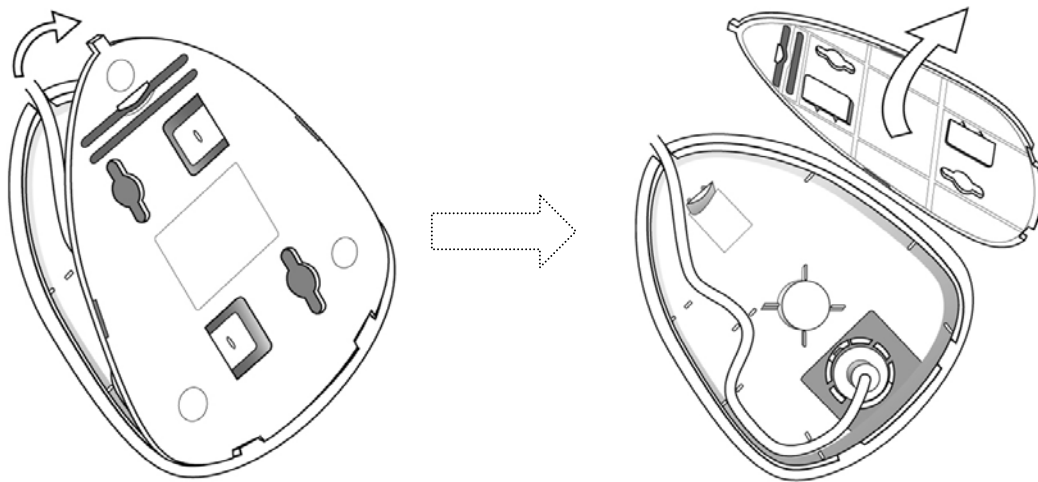
For another specific usage of the antenna deployment, you can install the antenna onto the wall with attached screws, or attach to office partitions with the magnet design, The cable deployment can go UPWARDS or DOWNWARDS based on the locations of your wireless devices.



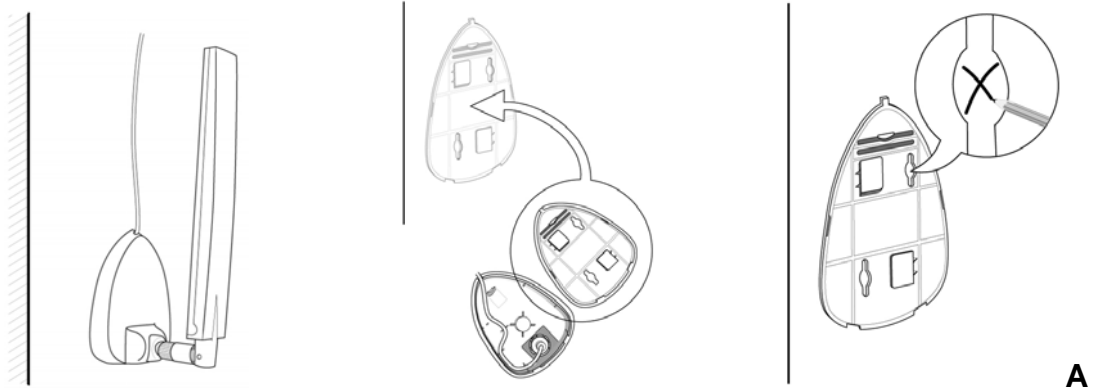
 **PLEASE NOTICE THE INSTALLATION STEPS BELOW BEFORE YOU START TO DRILL HOLES ON THE WALL FOR WALL MOUNT.**



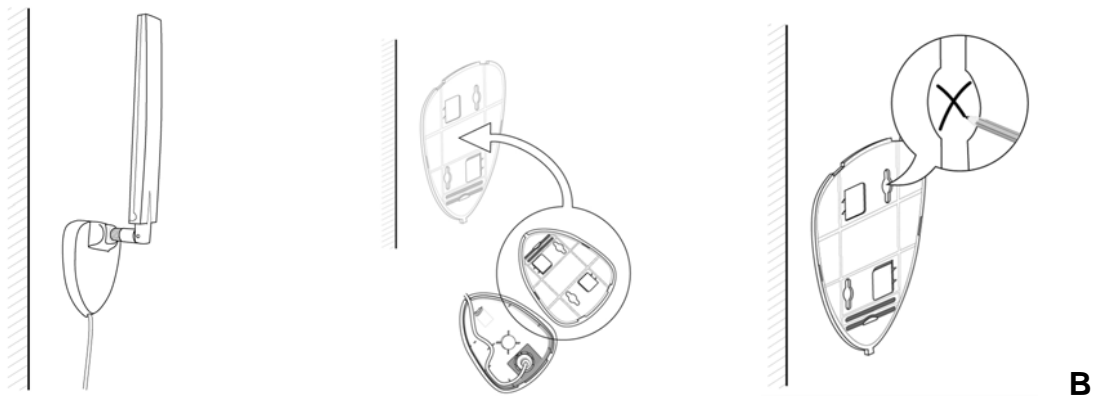
Try to **press-and-pull** the antenna bottom cover with your forefinger, simultaneously; use your thumb at the same time to push up the antenna bottom cover from the end.



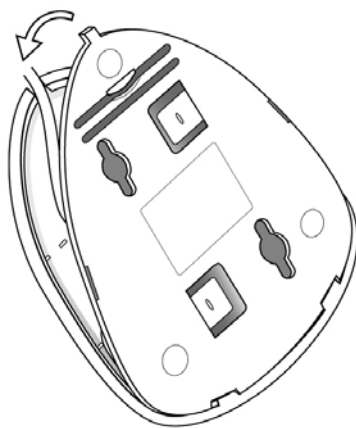
After taking off the bottom cover, the screw holes on the cover can be used to position and mark the selected site for this antenna in wall mount condition.



If your cable direction **goes upwards**, try to hold the bottom cover like the diagram A above and mark the screw position with pens.



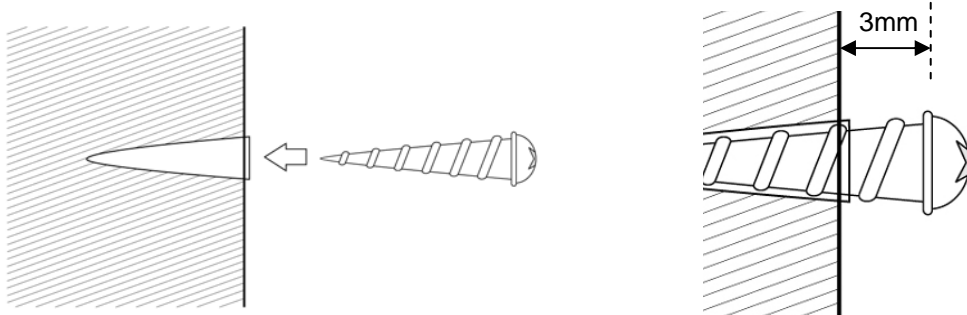
If your cable direction goes downwards, try to hold the bottom cover like the diagram above and mark the screw position with pens.



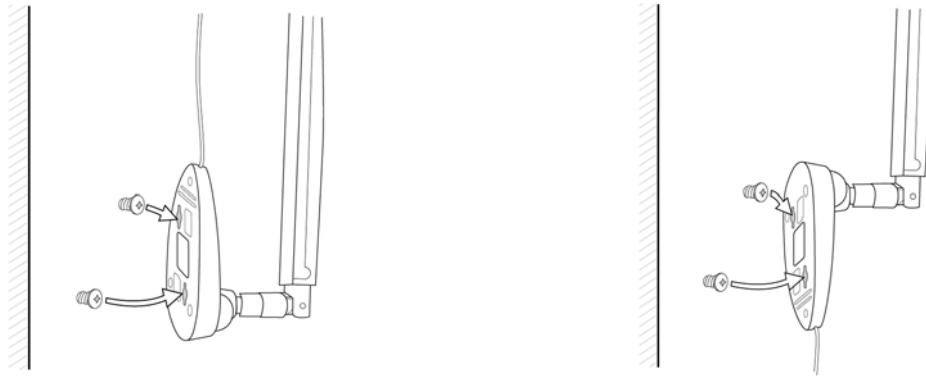
After the markings on the holes for screw drilling, re-assemble the bottom cover back into position. You will hear a **“Click”** sound when you make the right assembly process, if not, please re-assemble again.

About the screws --

Lock the screw tightly but remember to keep some free spaces left (about 3 to 5mm) like the diagram below; therefore the antenna can be hanged onto the wall with both the screws.

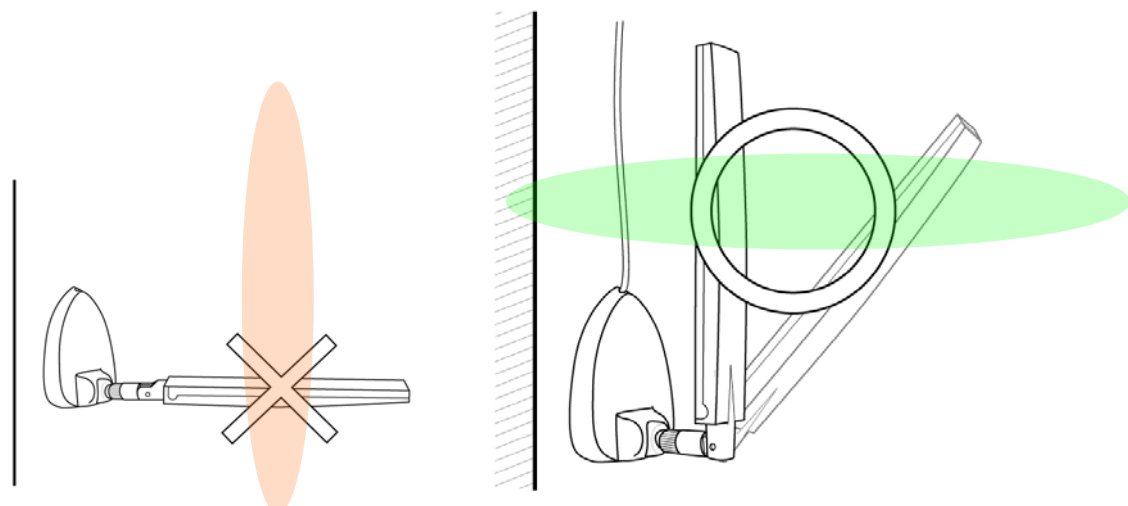


The direction of antenna stand decides where the cable goes.



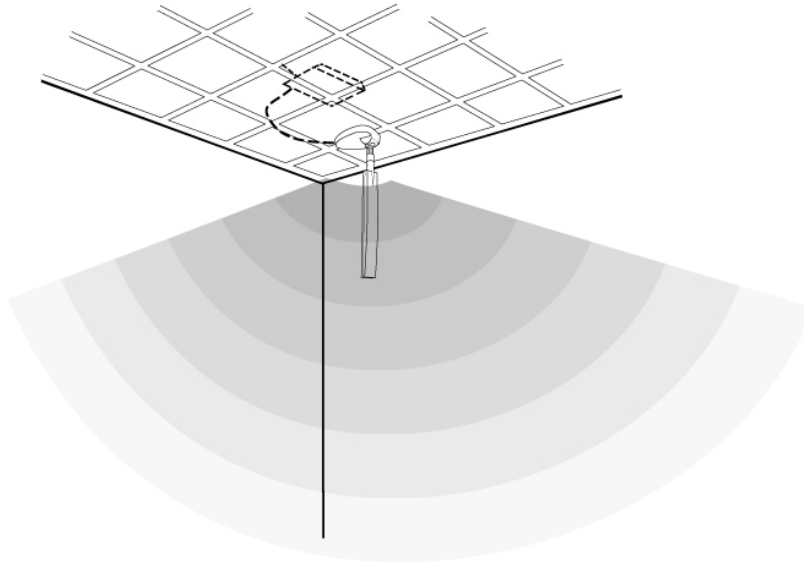
WARNING FOR WALL MOUNT

Please do NOT put the antenna body in such horizontal direction, since the antenna only generate the horizontal signals when the antenna body is vertical to the ground to cover the horizontal environment like home/ office.

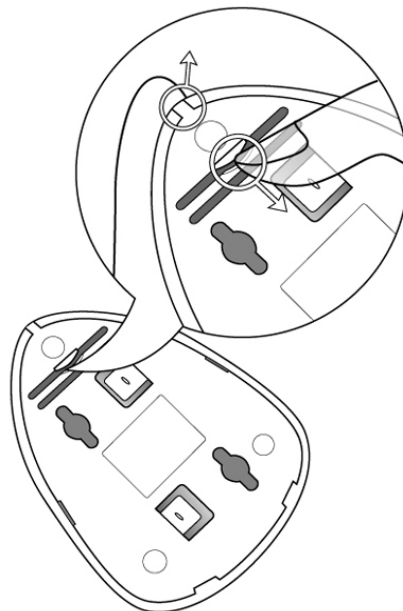


Ceiling mount

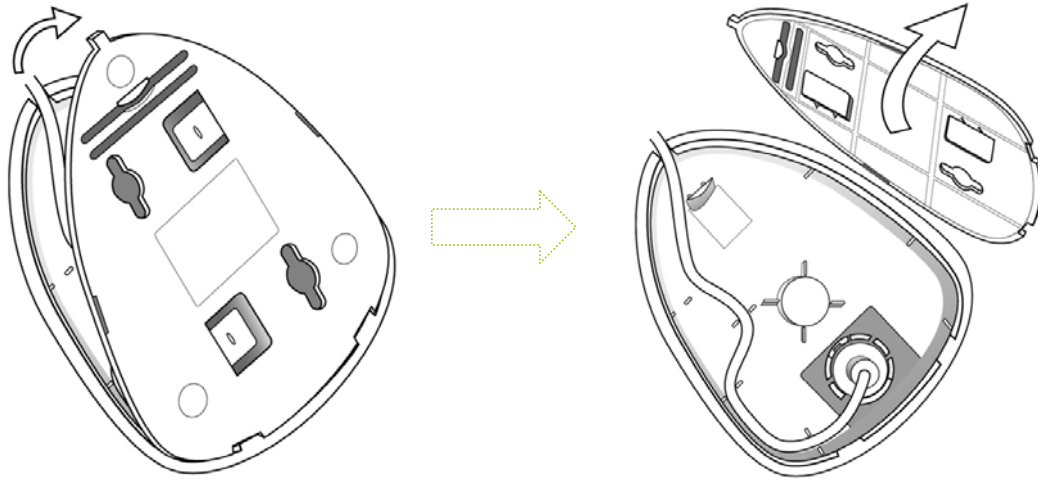
The special ceiling mount feature is mainly recommended to be used when your wireless base stations are **hidden over the ceiling or some kind of anti-theft protection cases**. So that your base stations are 'invisible' and signals can still be effectively transmitted through the external antenna.



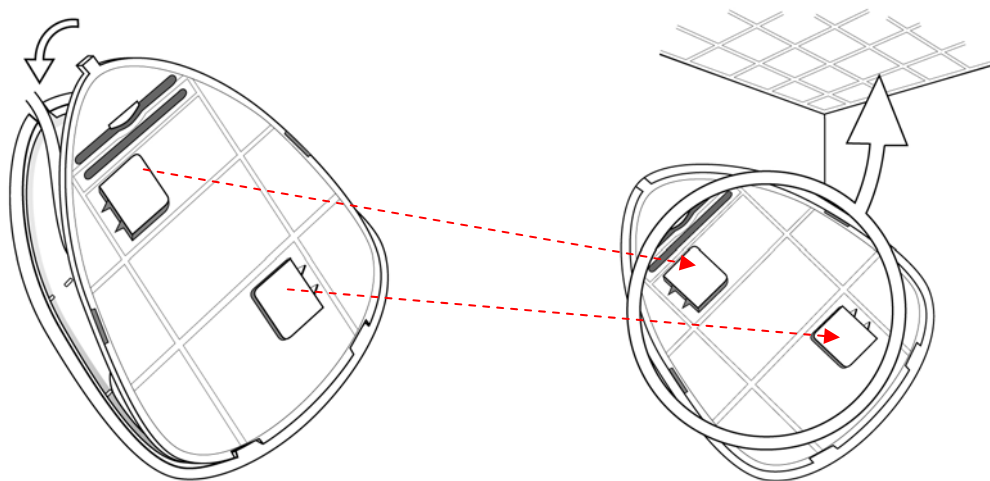
How to set up a ceiling mount with your antenna base –



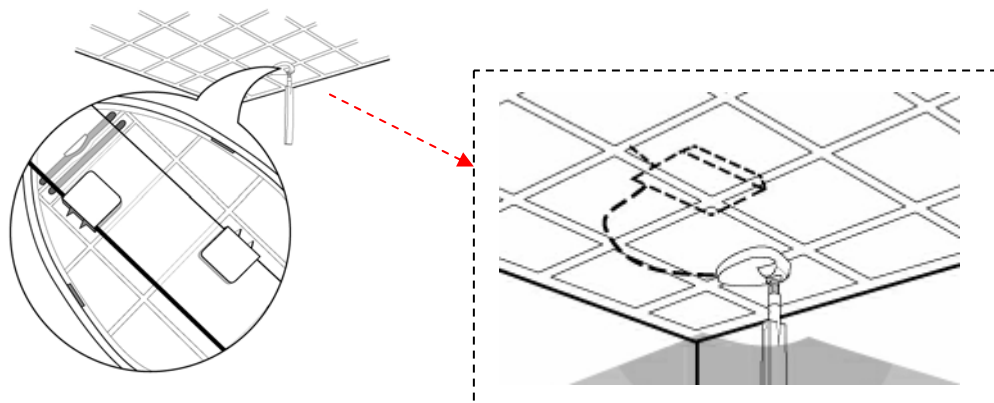
Try to **press-and-pull** the antenna bottom cover with your forefinger, simultaneously; use your thumb at the same time to push up the antenna bottom cover from the end.



The thumb pushes out the bottom cover and turn over the cover and try to re-assemble the cover in **up-side-down** direction. Then click the cover back to position.



There you can see 2 plastic hooks, these hooks provide a fixed and flexible grabs onto the steel frames of your ceiling (see the diagrams below).



Recommended devices to connect with this antenna

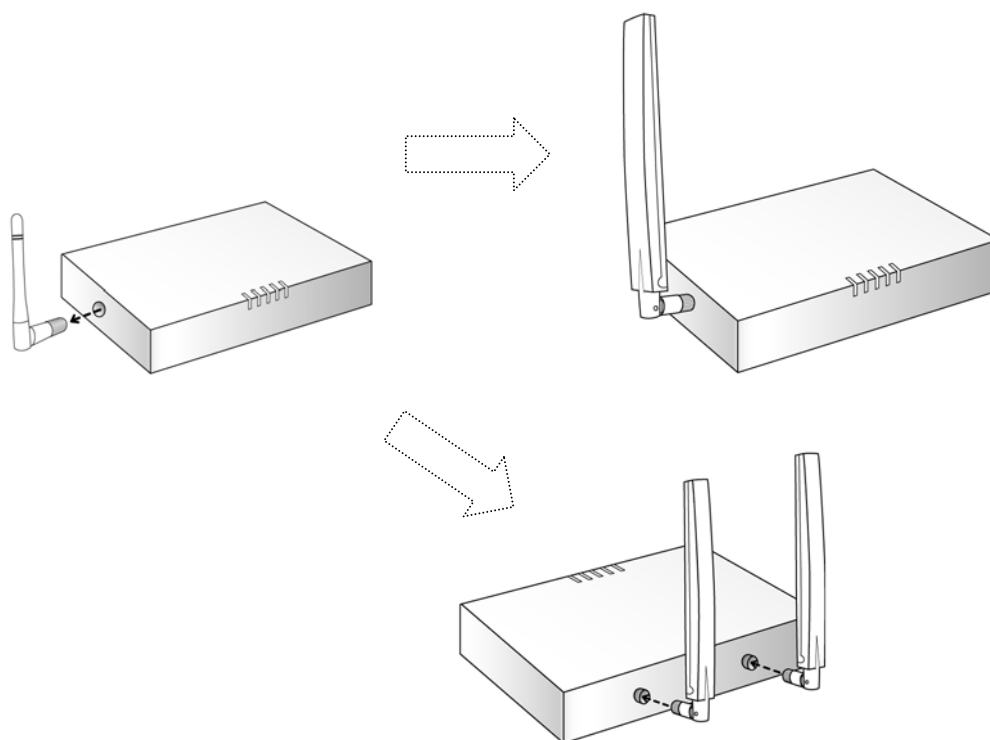
Wireless base stations with antenna detachable feature:

As a matter of broadcasting your wireless signals to your home/ office environments to get wider or longer coverage, the antenna generates wide, omni directional signals to cover your home/ office environments.

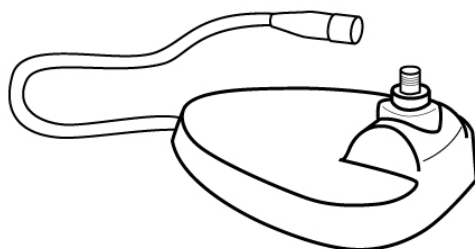


WARNING:

Please make sure that the antenna(s) on your wireless devices can be 'unscrewed' easily from the antenna connectors.



If your wireless base stations have 2 or more external antenna ports, you may need to purchase another one or more to replace the default antennas.

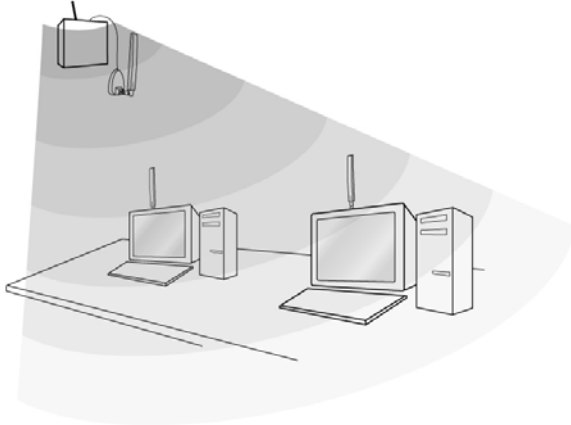


Antenna stand



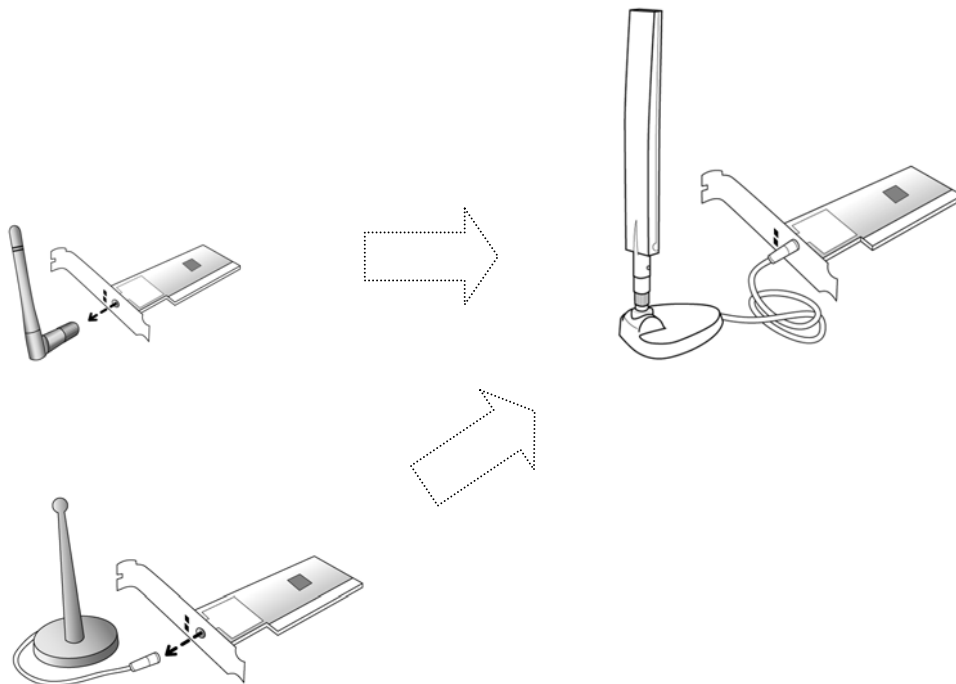
WARNING:

If your wireless base stations already have good position, you can only replace the antenna without the antenna stand. And if the wireless base stations have bad positions, where the signals may be blocked, just try to connect alone with the antenna stand to pick up better signals.

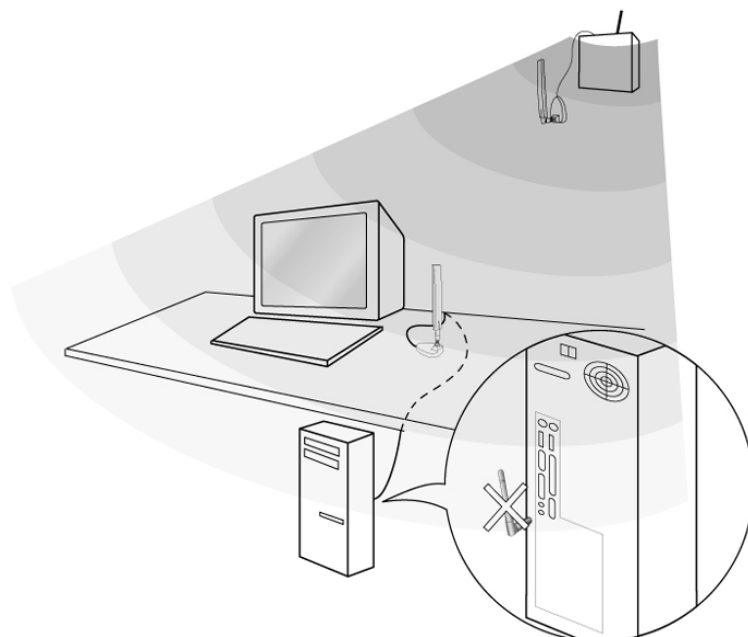


PCI adaptor for desktop PC

Normally the host of your desktop PC will be remained underneath the desk or just next to the walls and partitions; such deployments might block wireless signal routes and sometimes cause unsatisfied link quality. The external antenna with 1meter extensible cable which generates omni directional signals, you can set up the antenna to where the antenna can “see” the wireless base station, which is to pick up the better connections and link quality.

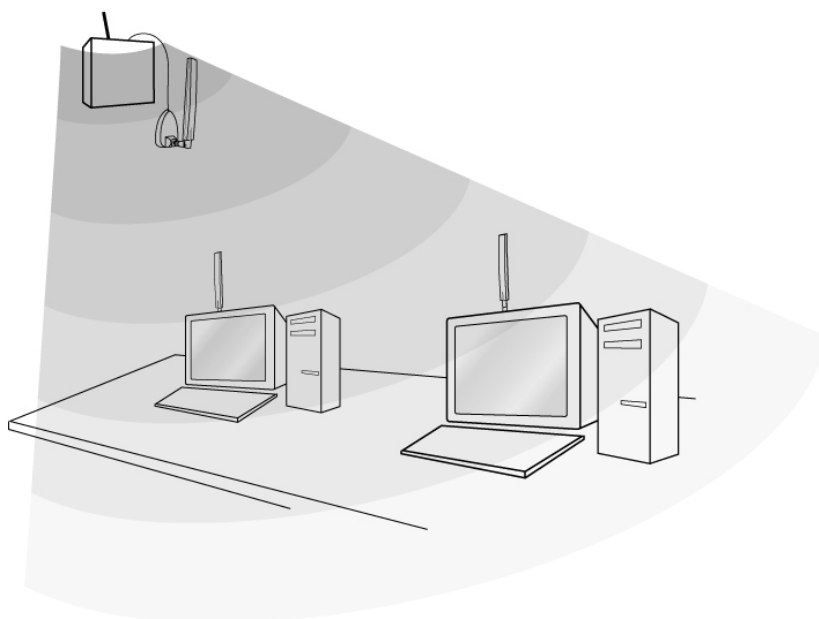


If you have poor link quality with your current default antennas on the wireless devices such as AP/ Router/ PCI adaptors, please remove the default antenna or the low performance antenna which is bundled with the products.



Recommendation:

To purchase another external antenna to connect both the base station and the client user, the signal could be received and transmitted better than just connect one.



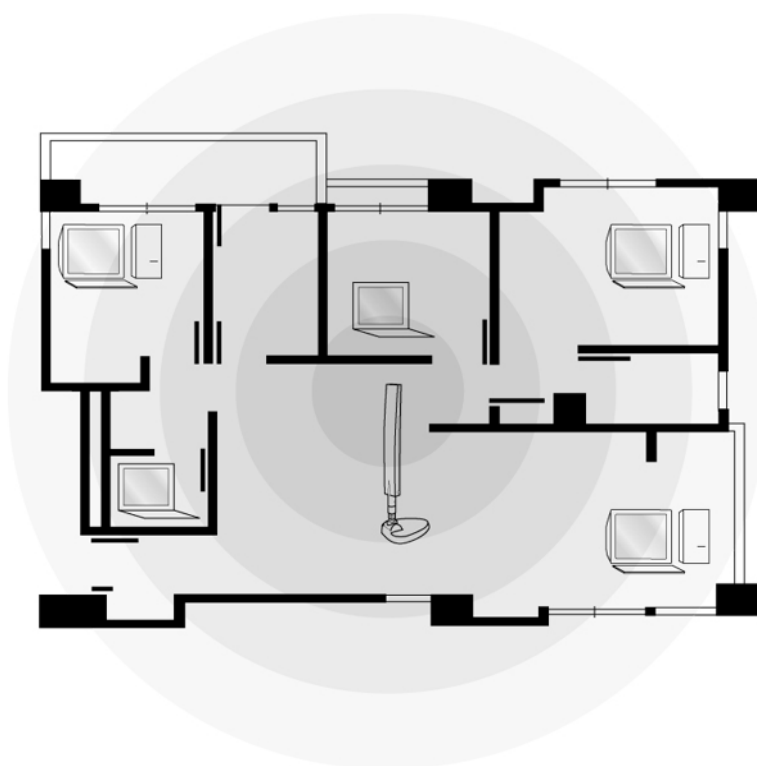


NOTICE:

Most of desktop PC users in home/ office should be aware of the location of wireless base stations, to use the external antenna; one can easily get connected by just re-locating this antenna to where it can “see” the base station.

Recommended installation positions

This omni directional antenna has a omni directional 360 deg wide angle signal coverage, which you can use it in the middle of home/ office environments to increase coverage.



WARNING:

- (1) Both sides should be used the same antennas.**
- (2) There should be no obstacles between the transmission areas**
- (3) On both the sites, the antennas should be ‘seen’ each other or visible by naked eye.**
- (4) Performance estimate based on typical use, range will be varied with different site conditions.**

Free Manuals Download Website

<http://myh66.com>

<http://usermanuals.us>

<http://www.somanuals.com>

<http://www.4manuals.cc>

<http://www.manual-lib.com>

<http://www.404manual.com>

<http://www.luxmanual.com>

<http://aubethermostatmanual.com>

Golf course search by state

<http://golfingnear.com>

Email search by domain

<http://emailbydomain.com>

Auto manuals search

<http://auto.somanuals.com>

TV manuals search

<http://tv.somanuals.com>