



DW PROFILE™

SKU# DLE077

The new DW Profile™ features a 250W 100,000 hour average life dynamic LED engine, >93CRI, 17° to 27° manual zoom, manual and DMX controlled color temperatures and dimming, variable color temperatures (3,000K - 6,000K), variable dimming curves, (4) blade manual framing shutters, supports B size glass, metal, or HT transparency glass gobos, flicker free operation for TV and FILM, 3 and 5 pin in/out DMX and powerCON in connections, (4) button (2) dial control panel, 300W max power consumption, and a multi-voltage universal auto switching power supply (100 240v).



FEATURES

250W Dynamic LED Engine >93CRI

17° - 27° Manual Zoom

Manual and DMX Controlled Color Temp + Dimming

Variable Color Temperatures (3,000 - 6,000K)

Variable Dimming Curves

(4) Blade Manual Framing Shutters

Supports B Size Glass, Metal or HT Transparency Gobos

Flicker Free Operation for TV and FILM

300W Max Power Consumption



Specifications are subject to change without notice ©Elation Professional

Elation Professional USA | 6122 S. Eastern Ave. | Los Angeles, CA. 90040
323-582-3322 | 323-832-9142 fax | www.elationlighting.com | info@elationlighting.com

Elation Professional B.V. | Junostraat 2 | 6468 EW Kerkrade, Netherlands
+31 45 546 85 66 | +31 45 546 85 96 fax | www.elationlighting.eu | info@elationlighting.eu

PRODUCT SPECIFICATIONS

FEATURES

17° - 27° Manual Zoom
 (4) Blade Manual Framing Shutters
 Variable Color Temperature Settings (3,000K - 6,000K)
 Manual and DMX Controlled Strobe and Dimmer
 Flicker Free Operation for TV and FILM

SOURCE

250W Dynamic LED Engine >93CRI
 100,000 Hour Average LED Life

PHOTOMETRIC DATA

20,200 LUX 1877 FC @8.2' (2.5M) (17° Full On)
 9,640 LUX 896 FC @8.2' (2.5M) (27° Full On)

EFFECTS

Variable Strobe Settings (1-18 fps)
 Electronic Dimming (0% - 100%)

GOBOS

Supports "B" Size Glass, Metal, HT Transparency Gobos
 Gobo Size: OD 86mm / IA 64mm / Thickness 0.15mm

CONTROL / CONNECTIONS

(7) DMX Channel Modes (2 / 3 / 8)
 Manual Zoom
 Manual and DMX Color Temperature and Dimmer
 (4) Button and (2) Dial Control Panel
 LCD Menu Display
 3pin and 5pin DMX In/Out
 powerCON In

SIZE / WEIGHT

Length: 30.1" (764mm)
 Width: 12.8" (325mm)
 Vertical Height: 18.0" (458mm)
 Weight: 30.0 lbs. (13.6 kg)

ELECTRICAL / THERMAL

AC 100-240V - 50/60Hz
 300W Max Power Consumption
 14° to 113°F (-10° to 45°C)

APPROVALS / RATINGS

CE Approved
 IP20 Rated

INSTALLATION

Rigging: Clamp or Stand (Not Included)
 Working Position: Any (360°)

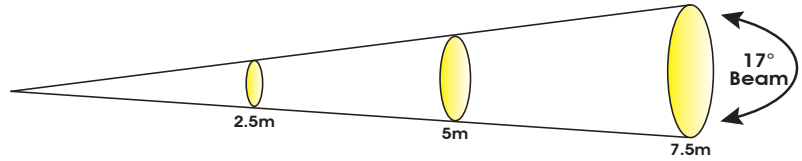
INCLUDED ITEMS

(1) powerCON Cable, (1) 3pin XLR Cable
 (1) Safety Cable

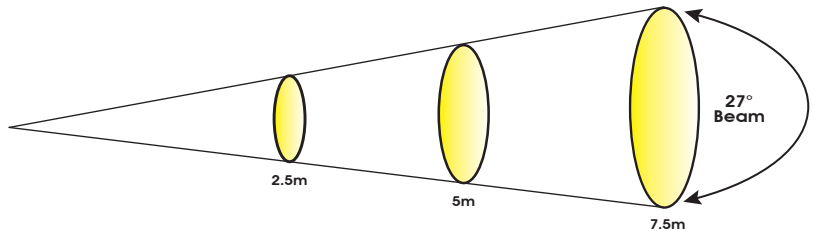
OPTIONAL ACCESSORIES

ORDER CODE	ITEM
TRIGGER CLAMP	Heavy Duty Wrap Around Hook Clamp
** pending **	Flight Case For DW Profile
AC3PDMX10PRO	10 ft. (3m) 3pin PRO DMX Cable
AC3PDMX25PRO	25 ft. (7.5m) 3pin PRO DMX Cable
AC3PDMX50PRO	50 ft. (15.2m) 3pin PRO DMX Cable
AC5PDMX10PRO	10 ft. (3m) 5pin PRO DMX Cable
AC5PDMX25PRO	25 ft. (7.5m) 5pin PRO DMX Cable
AC5PDMX50PRO	50 ft. (15.2m) 5pin PRO DMX Cable

PHOTOMETRIC DATA

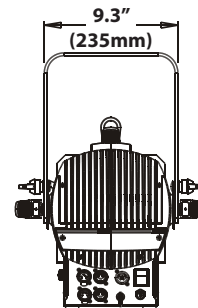
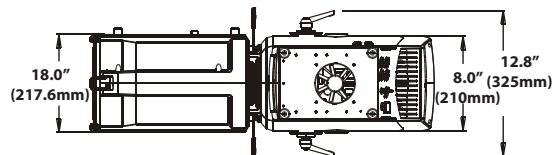
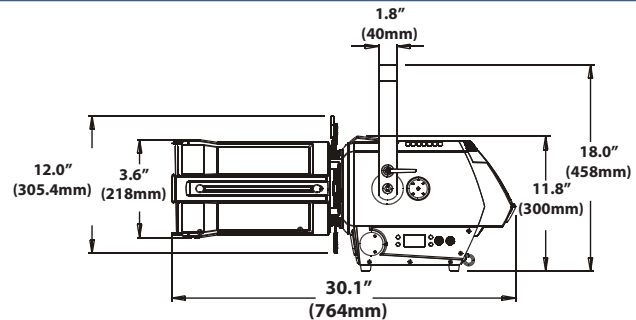


	MIN ZOOM					
	m	ft	m	ft	m	ft
Distance	2.5	8.2	5	16.4	7.5	24.6
17° Beam Diameter	0.75	2.5	1.5	4.9	2.25	7.4
	lux	fc	lux	fc	lux	fc
FULL ON	20,200	1,877	5,412	503	2,423	225
COOL WHITE	11,450	1,064	3,097	288	1,383	128
WARM WHITE	9,150	850	2,468	229	1,110	103



	MAX ZOOM					
	m	ft	m	ft	m	ft
Distance	2.5	8.2	5	16.4	7.5	24.6
27° Beam Diameter	1.2	3.9	2.4	7.9	3.6	11.8
	lux	fc	lux	fc	lux	fc
FULL ON	9,640	896	2,516	234	1,141	106
COOL WHITE	5,472	508	1,400	130	6,503	604
WARM WHITE	4,406	409	1,113	103	5,213	484

DIMENSIONAL DIAGRAMS



Specifications are subject to change without notice ©Elation Professional



Free Manuals Download Website

<http://myh66.com>

<http://usermanuals.us>

<http://www.somanuals.com>

<http://www.4manuals.cc>

<http://www.manual-lib.com>

<http://www.404manual.com>

<http://www.luxmanual.com>

<http://aubethermostatmanual.com>

Golf course search by state

<http://golfingnear.com>

Email search by domain

<http://emailbydomain.com>

Auto manuals search

<http://auto.somanuals.com>

TV manuals search

<http://tv.somanuals.com>