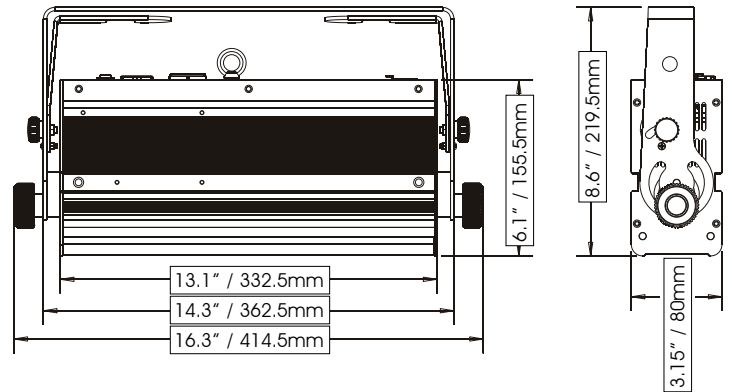


Design LED 36 Brick



Design LED 36 Brick Dimensions

The Design LED 36 Brick (DLED 36 Brick) by Elation Professional is a high output, compact (fits in 12" box truss), LED color changer featuring seamless RGB color mixing using 12 x 3W LEDs by Seoul Semi Conductor, 36 Watts total - 4 Red, 4 Blue and 4 Green. This unit is **convection cooled** and provides up to **50,000 hours estimated LED life**. The DLED 36 Brick is rated at IP 20, designed for indoor applications only and is fully operational in 3 mounting positions. The DLED 36 Brick includes a dual yoke mounting bracket for fixed installation or can be used as a split bracket for floor standing and separated for mounting multiple units together in a line for linear strip design. **The unit can be operated from 100~240V (electronic switching power supply) and is ac linkable with IEC in/out connectors.** Control data input is via 3 pin or 5 pin DMX data first in and out connector cables. The DLED 36 Brick also features low power consumption, minimal heat emission and flicker-free operation for television and film. The unit also features an on board 4 button control menu with 4 digit LED display for setting control address, modes, manual or auto programs. The unit comes fitted standard with a 28° lens kit. **Optional 45° and 60° lens kits are included.**

FEATURES

- LED color changer
- 12 x 3W LEDs, 36 Watts total - 12 Red, 12 Blue and 12 Green
- Seamless RGB color changing
- 28° beam angle
- **Included: Optional 45° & 60° lens kits**
- 436 LUX @ 3 meters
- Rated IP 20
- Compact Design (fits in 12" box truss)
- **Convection cooled**
- **Electronic ballast, multi-voltage**
- **IEC Power in/out**
- Built-in Power Supply and DMX 512 Control
- Linkable power supply (in & out power connectors) up to 8 units
- **LED display**
- Standard and theatrical modes
- Flicker free operation
- Master/ Slave auto program and music trigger
- 8 built-in programs with Speed control
- Control each L.E.D. independently

TECHNICAL SPECIFICATIONS

- **DMX Channels:** 3, 4, 6, 12 or 15 channel operation modes
- **Control:** USITT DMX-512, 3-pin and 5-Pin XLR serial input/output
- **Dimmer:** Continuous dimming 0-100%
- **Strobe:** Electronic strobe effect (25 fps)
- **IP Rating:** IP20
- **Power Supply:** Electronic switching power supply: 100~240V AC, 50/60Hz
- **Power Consumption:** 58.6W
- **Fuse:** GMA 220v~2A
- **Lamp:** 12 x 3 Watt led's by Seoul Semi Conductor 36-Watt Total (4 x Red, 4 x Green 4 x Blue)
- **Lamp life:** Long Life L.E.D. (rated at 50,000 Hours)
- **Dimensions:** (LxWxH): 16.3" x 8.7" x 3.1" / 415 x 220.98 x 78.74mm
- **Weight:** 9 lbs. / 4.1 kgs.
- **Rigging:** Mounting bracket and safety eye-hook installed. Safety cable & 3-pin data cable included

Design LED 36 Brick



COLORS

- 12 x 3 Watt led's by Seoul Semi Conductor 36-Watt Total (4 x Red, 4 x Green 4 x Blue)
- Seamless RGB color mixing
- Infinite Color possibilities



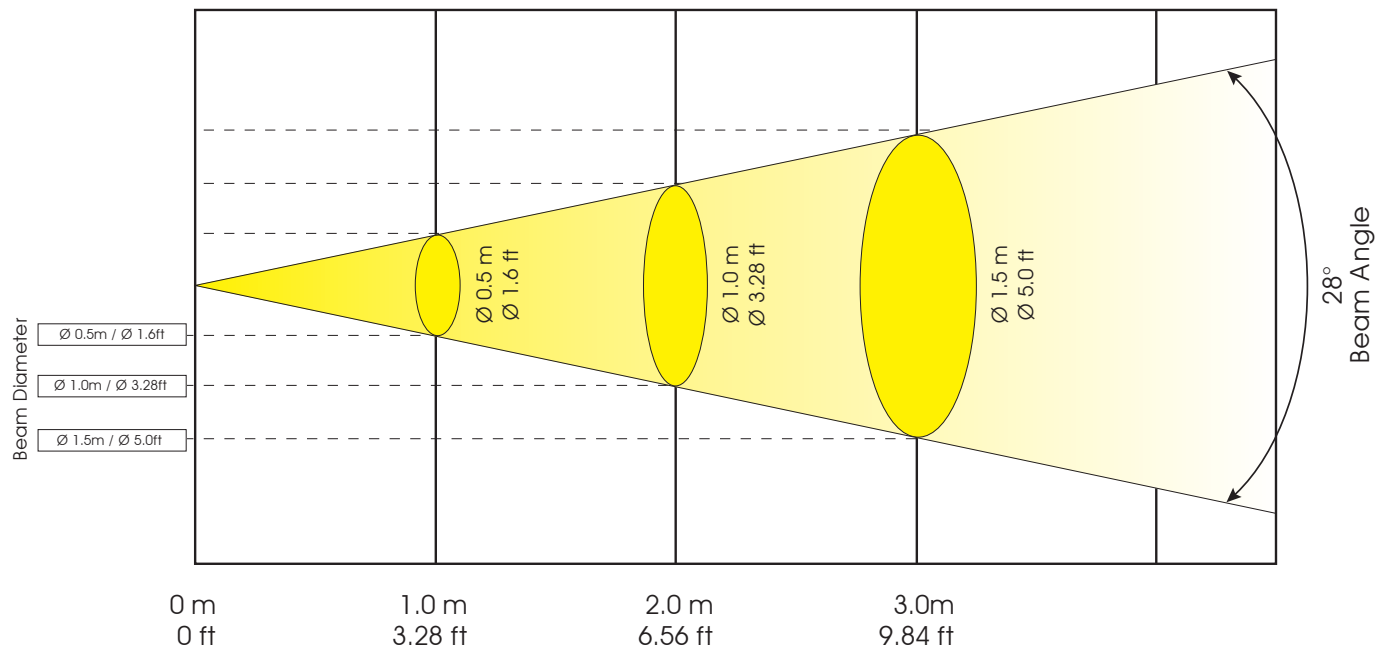
PHOTOMETRICS

Design LED 36 Brick Photometric Beam Angle Data

Standard 28° Beam Angle

LUX x 0.0929 = FC

ALL LEDs (36) 274 FC / 2,950 LUX 81 FC / 868 LUX 41 FC / 436 LUX



DMX TRAITS

3 Channel Mode (default):

Channel	Value	Function
1	0 - 255	Red (0 - black, 255 - 100% red)
2	0 - 255	Green (0 - black, 255 - 100% green)
3	0 - 255	Blue (0 - black, 255 - 100% blue)

4 Channel Mode:

Channel	Value	Function
1	0 - 255	Red (0 - black, 255 - 100% red)
2	0 - 255	Green (0 - black, 255 - 100% green)
3	0 - 255	Blue (0 - black, 255 - 100% blue)
4	0 - 255	Dimmer/Speed

6 Channel Mode:

Channel	Value	Function
1	0 - 255	Red (0 - black, 255 - 100% red)
2	0 - 255	Green (0 - black, 255 - 100% green)
3	0 - 255	Blue (0 - black, 255 - 100% blue)
4	0 - 255	Internal programs
5	0 - 255	Strobe
6	0 - 255	Dimmer/Speed

12 Channel Mode:

Channel	Value	Function
1	0 - 255	Red (0 - black, 255 - 100% red)
2	0 - 255	Green (0 - black, 255 - 100% green)
3	0 - 255	Blue (0 - black, 255 - 100% blue)
4	0 - 255	Red (0 - black, 255 - 100% red)
5	0 - 255	Green (0 - black, 255 - 100% green)
6	0 - 255	Blue (0 - black, 255 - 100% blue)
7	0 - 255	Red (0 - black, 255 - 100% red)
8	0 - 255	Green (0 - black, 255 - 100% green)
9	0 - 255	Blue (0 - black, 255 - 100% blue)
10	0 - 255	Red (0 - black, 255 - 100% red)
11	0 - 255	Green (0 - black, 255 - 100% green)
12	0 - 255	Blue (0 - black, 255 - 100% blue)

15 Channel Mode:

Channel	Value	Function
1	0 - 255	Red (0 - black, 255 - 100% red)
2	0 - 255	Green (0 - black, 255 - 100% green)
3	0 - 255	Blue (0 - black, 255 - 100% blue)
4	0 - 255	Red (0 - black, 255 - 100% red)
5	0 - 255	Green (0 - black, 255 - 100% green)
6	0 - 255	Blue (0 - black, 255 - 100% blue)
7	0 - 255	Red (0 - black, 255 - 100% red)
8	0 - 255	Green (0 - black, 255 - 100% green)
9	0 - 255	Blue (0 - black, 255 - 100% blue)
10	0 - 255	Red (0 - black, 255 - 100% red)
11	0 - 255	Green (0 - black, 255 - 100% green)
12	0 - 255	Blue (0 - black, 255 - 100% blue)
13	0 - 255	Internal Programs
14	0 - 255	Strobe
15	0 - 255	Dimmer/Speed

Free Manuals Download Website

<http://myh66.com>

<http://usermanuals.us>

<http://www.somanuals.com>

<http://www.4manuals.cc>

<http://www.manual-lib.com>

<http://www.404manual.com>

<http://www.luxmanual.com>

<http://aubethermostatmanual.com>

Golf course search by state

<http://golfingnear.com>

Email search by domain

<http://emailbydomain.com>

Auto manuals search

<http://auto.somanuals.com>

TV manuals search

<http://tv.somanuals.com>