

BLs 2.5



Sheet Metal Shear



SERVICE

Tool service and maintenance must be performed only by qualified repair personnel.

When servicing a tool, only use identical replacement parts available from FEIN.

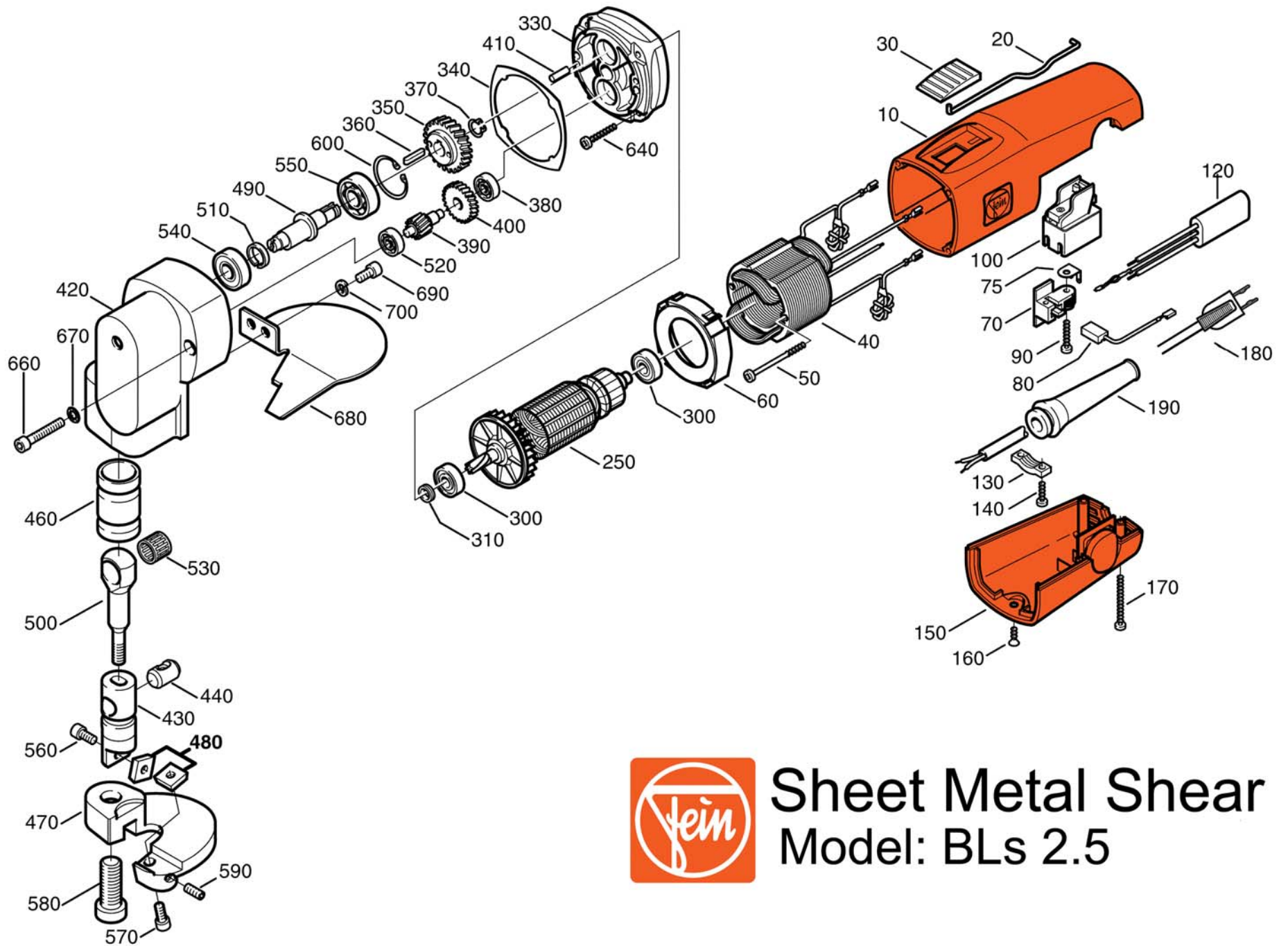
Repairs on FEIN Power Tools required the use of special tools (pulling devices and bearing press). Authorized repair centers have trained repair technicians and equipment necessary to perform these repairs. Service or repairs performed by unqualified persons could result in operator injury.

For the location of the repair center near you, please call 1-800-441-9878. Monday thru Friday, 9AM to 5PM EST. Or, look on our web site at www.feinus.com and follow the link to "Authorized Warranty Repair Centers"

**FEIN Power Tools
1030 Alcon Street
Pittsburgh, PA 15220**

Phone: 412-922-8886 Fax: 412-922-8767 Toll Free: 1-800-441-9878

April 15, 2004



Sheet Metal Shear

Model: BLs 2.5

Fein Power Tools

BLs 2.5 Parts List

<u>Item</u>	<u>Item Number</u>	<u>Description</u>	<u>Reqd.</u>	
10	3-19-01-109-02-4	MOTOR HOUSING	1	_____
20	3-28-16-051-00-1	SWITCH ROD	1	_____
30	3-28-05-152-00-9	SLIDING BUTTON	1	_____
40	5-1-272-004-11-9	FIELD COIL	1	_____
50	4-30-70-014-00-0	SCREW	2	_____
60	3-14-28-114-00-8	AIR CONDUCTING RING	1	_____
70	3-07-12-087-01-5	BRUSH HOLDER	2	_____
75	3-07-17-193-00-0	BRUSH CONNECTION	2	_____
80	3-07-11-129-00-9	CARBON BRUSH	2	_____
90	4-30-70-015-00-4	SCREW	2	_____
100	3-07-01-060-00-0	REVERSING SWITCH	1	_____
120	3-07-22-178-01-6	CAPACITOR	1	_____
130	3-24-31-026-00-9	CABLE CLAMP	1	_____
140	4-30-70-001-00-6	SCREW	2	_____
150	3-24-27-108-01-6	COVER	1	_____
160	4-30-70-003-00-3	SCREW	1	_____
170	4-30-70-016-00-7	SCREW	2	_____
180	3-07-07-101-01-2	CABLE	1	_____
190	3-14-13-164-00-9	CABLE PROTECTING SLEEVE	1	_____
250	5-3-272-005-11-5	ARMATURE	1	_____
300	4-17-01-001-17-2	BALL BEARING	2	_____
310	3-26-12-125-00-0	PACKING RING	1	_____
330	3-15-06-353-00-7	INTERMEDIATE HOUSING	1	_____
340	3-06-10-033-00-0	GASKET	1	_____
350	3-36-57-105-00-2	GEAR WHEEL 41T	1	_____
360	4-02-21-003-00-6	FITTING KEY	1	_____
370	4-26-16-034-00-7	LOCKING RING	1	_____
380	4-17-01-202-01-8	BALL BEARING	1	_____
390	3-37-57-014-00-7	SPUR WHEEL 15T	1	_____
400	3-36-57-167-00-3	GEAR WHEEL 29T	1	_____
410	4-02-42-006-00-7	CYLINDRICAL PIN	1	_____
420	3-13-08-076-00-9	GEAR HOUSING	1	_____
430	3-13-08-077-00-3	PLUNGER	1	_____
440	3-13-08-078-00-1	BOLT	1	_____
460	3-13-08-079-00-5	SLEEVE	1	_____
470	3-01-09-138-00-8	FOOT	1	_____
480	6-36-01-101-00-9	CUTTER BLADE	2	_____
490	3-34-05-027-00-6	ECCENTRIC SHAFT	1	_____
500	3-13-08-080-00-7	CONNECTING ROD	1	_____
510	3-26-01-225-00-3	RING	1	_____
520	4-17-01-202-01-8	BALL BEARING	2	_____
530	4-17-15-032-00-3	NEEDLE CAGE	1	_____
540	4-17-01-006-02-8	BALL BEARING	1	_____
550	4-17-01-007-03-8	BALL BEARING	1	_____
560	4-30-35-013-05-8	SCREW	1	_____
570	4-30-35-014-05-6	SCREW	1	_____
580	4-30-13-042-12-7	SCREW	1	_____
590	4-30-45-044-05-1	PIN SCREW	1	_____
600	4-26-16-001-00-5	LOCKING RING	1	_____
640	4-30-70-026-00-6	SCREW	4	_____
660	4-30-33-015-05-2	SCREW	2	_____
670	4-06-11-001-00-2	PACKING RING	2	_____
680	3-02-29-159-00-1	GUARD	1	_____
690	4-30-35-013-05-8	SCREW	2	_____
700	4-24-45-002-05-3	LOCKING RING	2	_____

Free Manuals Download Website

<http://myh66.com>

<http://usermanuals.us>

<http://www.somanuals.com>

<http://www.4manuals.cc>

<http://www.manual-lib.com>

<http://www.404manual.com>

<http://www.luxmanual.com>

<http://aubethermostatmanual.com>

Golf course search by state

<http://golfingnear.com>

Email search by domain

<http://emailbydomain.com>

Auto manuals search

<http://auto.somanuals.com>

TV manuals search

<http://tv.somanuals.com>