

UBs 1.6 / 1.6c



Universal Sheet Metal Shear



SERVICE

Tool service and maintenance must be performed only by qualified repair personnel.

When servicing a tool, only use identical replacement parts available from FEIN.

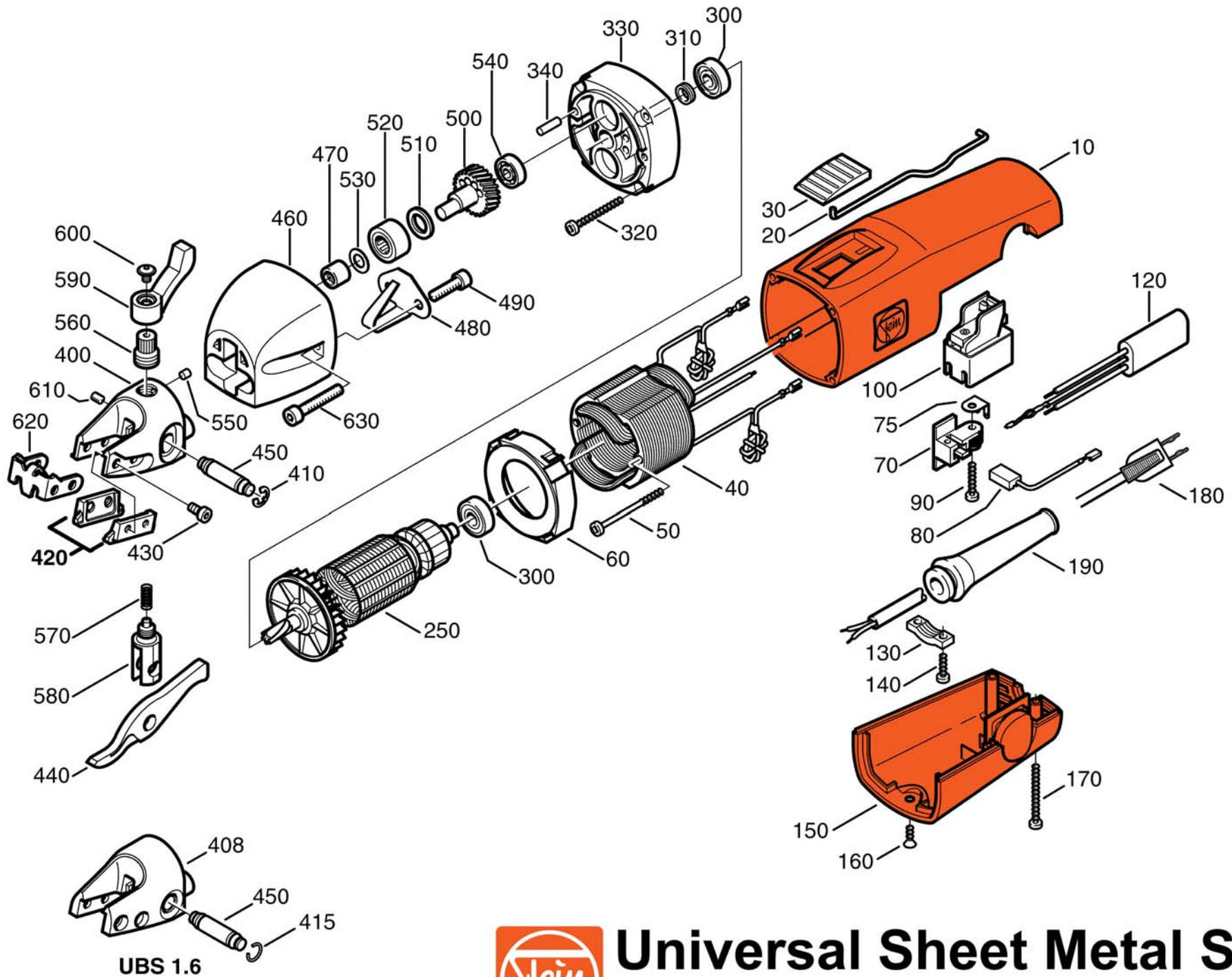
Repairs on FEIN Power Tools required the use of special tools (pulling devices and bearing press). Authorized repair centers have trained repair technicians and equipment necessary to perform these repairs. Service or repairs performed by unqualified persons could result in operator injury.

For the location of the repair center near you, please call 1-800-441-9878. Monday thru Friday, 9AM to 5PM EST. Or, look on our web site at www.feinus.com and follow the link to "Authorized Warranty Repair Centers"

**FEIN Power Tools
1030 Alcon Street
Pittsburgh, PA 15220**

Phone: 412-922-8886 Fax: 412-922-8767 Toll Free: 1-800-441-9878

April 15, 2004



UBS 1.6



Universal Sheet Metal Shear

Model : UBs 1.6 / UBs 1.6c

Fein Power Tools

UBs 1.6 / 1.6c Parts List

<u>Item</u>	<u>Item Number</u>	<u>Description</u>	<u>Reqd.</u>
10	3-19-01-109-02-4	MOTOR HOUSING	1
20	3-28-16-051-00-1	ROD	1
30	3-28-05-152-00-9	SWITCH BUTTON	1
40	5-1-272-004-11-9	FIELD COIL	1
50	4-30-70-014-00-0	SCREW	2
60	3-14-28-114-00-8	AIR CONDUCTING RING	1
70	3-07-12-087-01-5	BRUSH HOLDER	2
75	3-07-17-193-00-0	BRUSH CAP	2
80	3-07-11-129-00-9	CARBON BRUSH	2
90	4-30-70-015-00-4	SCREW	2
100	3-07-01-060-00-0	REVERSING SWITCH	1
120	3-07-22-178-01-6	CAPACITOR	1
130	3-24-31-026-00-9	CABLE CLAMP	1
140	4-30-70-001-00-6	SCREW	2
150	3-24-27-108-01-6	COVER	1
160	4-30-70-003-00-3	SCREW	1
170	4-30-70-016-00-7	SCREW	2
180	3-07-07-101-01-2	CABLE	1
190	3-14-13-164-00-9	CABLE PROTECTING SLEEVE	1
250	5-3-272-005-11-5	ARMATURE	1
300	4-17-01-001-17-2	BALL BEARING	2
310	3-26-12-125-00-0	PACKING RING	1
320	4-30-70-026-00-6	SCREW	4
330	3-15-06-351-00-0	INTERMEDIATE BEARING	1
340	4-02-01-036-00-6	PIN	1
400	3-13-08-155-00-7	TOOL HOLDER HOUSING (UBS 1.6)	1
	3-13-08-159-00-6	TOOL HOLDER HOUSING (UBS 1.6c)	1
410	4-26-15-142-00-8	RETAINING RING (UBS 1.6)	2
	4-26-34-010-00-6	RETAINING RING (UBS 1.6c)	2
420	3-13-08-153-01-4	CUTTING BAR (UBS 1.6)	1
	3-13-08-153-02-0	CUTTING BAR (UBS 1.6c)	1
430	4-30-33-089-04-8	SCREW (UBS 1.6)	4
	4-30-33-090-04-0	SCREW (UBS 1.6)	4
440	3-13-08-150-00-9	BLADE (UBS 1.6)	1
	3-13-08-151-00-8	BLADE (UBS 1.6c)	1
450	3-13-08-156-00-0	BOLT	1
460	3-13-08-154-00-3	GEAR HOUSING	1
470	4-17-05-006-00-6	NEEDLE BEARING	1
480	3-13-08-157-00-4	PLATE SPRING	1
490	4-30-35-019-05-9	SCREW	2
500	3-13-08-158-01-1	ECCENTRIC SHAFT	1
510	3-24-08-385-00-1	DISC	1
520	4-17-24-003-00-2	BEARING	1
530	3-24-08-386-00-4	DISC	1
540	4-17-01-202-01-8	BALL BEARING	1
550	3-13-08-160-00-8	THRUST PIECE (UBS 1.6c)	1
560	3-13-08-161-00-7	KNURLED SCREW (UBS 1.6c)	1
570	3-09-01-350-00-0	PRESSURE SPRING (UBS 1.6c)	1
580	3-13-08-162-00-0	BLADE HOLDER (UBS 1.6c)	1
590	3-13-08-163-00-4	HANDLE (UBS 1.6c)	1
600	3-13-08-164-00-2	SCREW (UBS 1.6c)	1
610	4-30-45-028-04-6	PIN SCREW (UBS 1.6c)	1
620	3-13-08-165-00-6	CHIP CUTTER (UBS 1.6c)	1
630	4-30-35-016-05-3	SCREW	2

Free Manuals Download Website

<http://myh66.com>

<http://usermanuals.us>

<http://www.somanuals.com>

<http://www.4manuals.cc>

<http://www.manual-lib.com>

<http://www.404manual.com>

<http://www.luxmanual.com>

<http://aubethermostatmanual.com>

Golf course search by state

<http://golfingnear.com>

Email search by domain

<http://emailbydomain.com>

Auto manuals search

<http://auto.somanuals.com>

TV manuals search

<http://tv.somanuals.com>